

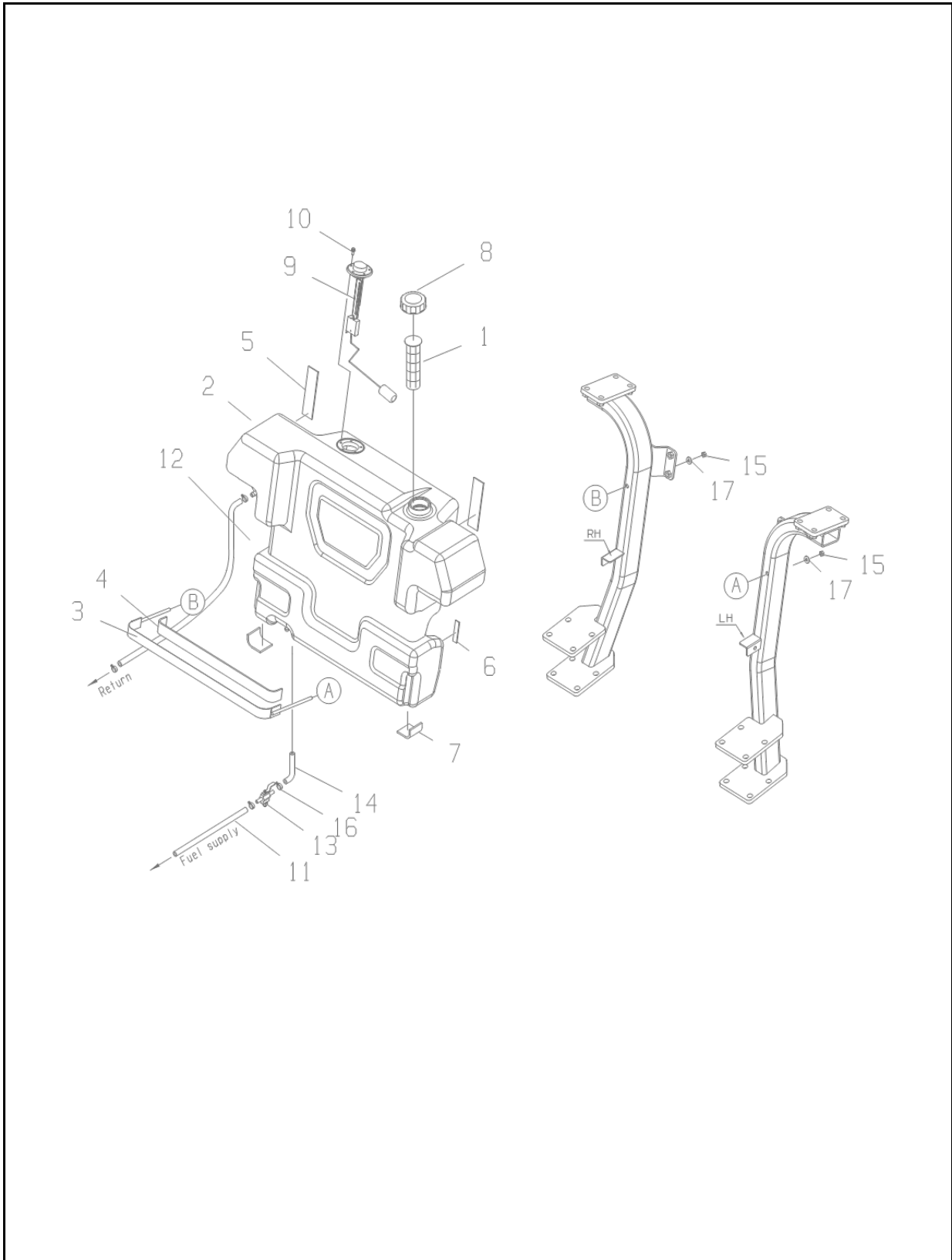
|   | CODE  | MODEL                   | ENGINE         |
|---|-------|-------------------------|----------------|
| - | A     | i30/38                  | LSC 3 CYLINDER |
| - | B     | i28/36                  | MHI 4 CYLINDER |
| - | MEC   | MECHANICAL TRANSMISSION |                |
| - | HST   | HYDROSTAT TRANSMISSION  |                |
| - | M/PTO | MID MOUNT PTO           |                |

NOT AVAILABLE IN THE STATES NOW  
STANDARD

# FUEL TANK

FIG. 2-1

G. 040



# FUEL TANK

A-NOT AVAILABLE / B-i28,i36

A-NOT AVAILABLE / B-i28,i36

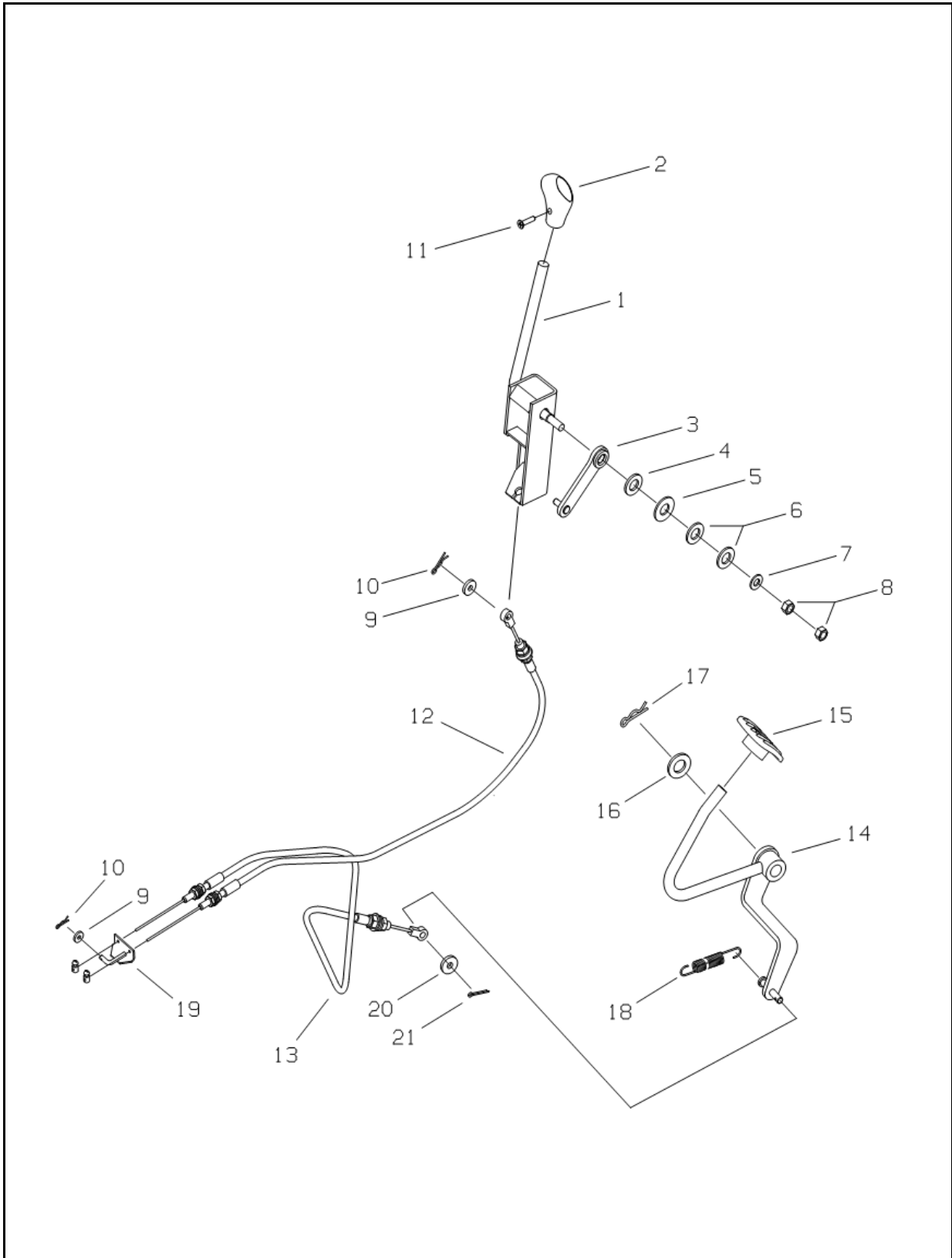
**FIG. 2-1**

| NO.  | PART NO.   | PART NAME & DESCRIPTION |              | QTY |   |   | APP.NO | REM. |
|------|------------|-------------------------|--------------|-----|---|---|--------|------|
|      |            |                         |              | A   | B | C |        |      |
| 1-10 | A1040241   | FUEL TANK ASSY          |              | 1   | 1 |   |        |      |
| 1    | A1040052   | STRAINER,FUEL TANK      |              | 1   | 1 |   |        |      |
| 2    | A1040242   | TANK, FUEL              | 40 LITER     | 1   | 1 |   |        |      |
| 3    | A1040245   | BAND, FUEL TANK         |              | 1   | 1 |   |        |      |
| 4    | A1040231   | SPONGE,BAND             | 651x40x5t    | 1   | 1 |   |        |      |
| 5    | A1040220   | SPONGE,RUBBER           | 150x40x5t    | 2   | 2 |   |        |      |
| 6    | A1040243   | SPONGE,BACK LPW         | 65x15x5t     | 2   | 2 |   |        |      |
| 7    | A1040244   | SPONGE,BOTTOM           | 74x50x5t     | 2   | 2 |   |        |      |
| 8    | A1040170   | CAP ASSY                |              | 1   | 1 |   |        |      |
| 9    | A1040246   | GAUGE,FUEL              |              | 1   | 1 |   |        |      |
| 10   | S153051613 | SCREW,W/WASHER          |              | 5   | 5 |   |        |      |
| 11   | A1040074   | HOSE, FUEL              | Φ8.5-1630 mm | 1   | 1 |   |        |      |
| 12   | A1040097   | HOSE, FUEL RETURN       | Φ8.5-2200 mm | 1   | 1 |   |        |      |
| 13   | A1040127   | COCK,FUEL TANK          |              | 1   | 1 |   |        |      |
| 14   | A1040229   | HOSE, VALVE COCK        | Φ8.5-50 mm   | 1   | 1 |   |        |      |
| 15   | A1877079   | NUT, LOCK               |              | 2   | 2 |   |        |      |
| 16   | A1970380   | CLAMP, HOSE             |              | 6   | 6 |   |        |      |
| 17   | S365082013 | WASHER, PLN. L-RD.      | Φ20x8.4x2.6t | 2   | 2 |   |        |      |
|      |            |                         |              |     |   |   |        |      |
|      |            |                         |              |     |   |   |        |      |
|      |            |                         |              |     |   |   |        |      |
|      |            |                         |              |     |   |   |        |      |
|      |            |                         |              |     |   |   |        |      |
|      |            |                         |              |     |   |   |        |      |
|      |            |                         |              |     |   |   |        |      |

# ENGINE CONTROL

FIG. 2-2B

G. 100



# ENGINE CONTROL

A-NOT AVAILABLE / B-i28,i36

A-NOT AVAILABLE / B-i28,i36

**FIG. 2-2B**

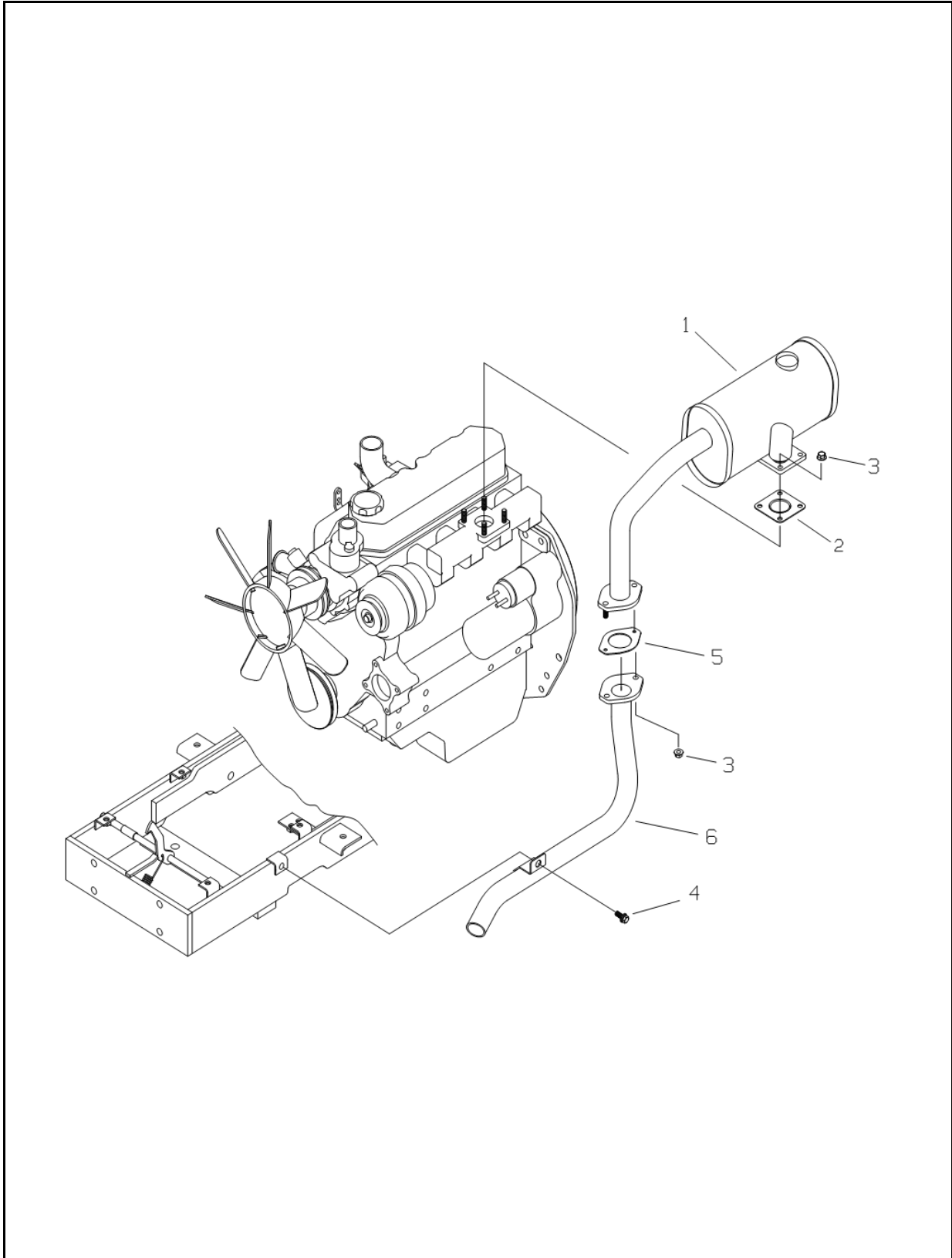
**( S4L )**

| NO. | PART NO.   | PART NAME & DESCRIPTION | QTY |   |   | APP.NO | REM. |
|-----|------------|-------------------------|-----|---|---|--------|------|
|     |            |                         | A   | B | C |        |      |
| 1   | A1100125   | LEVER, ACC.             | *   | 1 |   |        |      |
| 2   | A1970393   | KNOB, ACC               | *   | 1 |   |        |      |
| 3   | A1100131   | ARM, ENGINE CONTROL     | *   | 1 |   |        |      |
| 4   | S364120013 | WASHER, PLAIN           | *   | 1 |   |        |      |
| 5   | A1100058   | PLATE, FRICTION         | *   | 1 |   |        |      |
| 6   | S373120023 | PLATE, SPRING           | *   | 2 |   |        |      |
| 7   | S364080013 | WASHER, PLAIN           | *   | 1 |   |        |      |
| 8   | S313080013 | NUT, HEX.               | *   | 2 |   |        |      |
| 9   | A1970286   | WASHER, PLASTIC         | *   | 2 |   |        |      |
| 10  | S443060013 | PIN, SNAP               | *   | 2 |   |        |      |
| 11  | S226501011 | SCREW, WASHER           | *   | 1 |   |        |      |
| 12  | A1100046   | WIRE, ACCE. LEVER       | *   | 1 |   |        |      |
| 13  | A1100054   | WIRE, ACCE. PEDAL       | *   | 1 |   |        | MEC  |
| 14  | A1100100   | PEDAL, ACCELERATOR      | *   | 1 |   |        | MEC  |
| 15  | A1100102   | KNOB, ACC PEDAL         | *   | 1 |   |        | MEC  |
| 16  | S365123013 | WASHER, PLAIN           | *   | 1 |   |        | MEC  |
| 17  | S443120013 | PIN, SNAP               | *   | 1 |   |        | MEC  |
| 18  | 3A1100008  | SPRING, RETURN          | *   | 1 |   |        | MEC  |
| 19  | A1100059   | ROD, ENGINE CONTROL     | *   | 1 |   |        |      |
| 20  | S363060013 | WASHER, PLAIN           | *   | 1 |   |        | MEC  |
| 21  | S441251613 | PIN, SPLIT              | *   | 1 |   |        | MEC  |
|     |            |                         |     |   |   |        |      |
|     |            |                         |     |   |   |        |      |
|     |            |                         |     |   |   |        |      |
|     |            |                         |     |   |   |        |      |
|     |            |                         |     |   |   |        |      |

# MUFFLER

FIG. 2-3B

G. 150



# MUFFLER

A-NOT AVAILABLE / B-i28,i36

A-NOT AVAILABLE / B-i28,i36

**FIG. 2-3B**

**( S4L )**

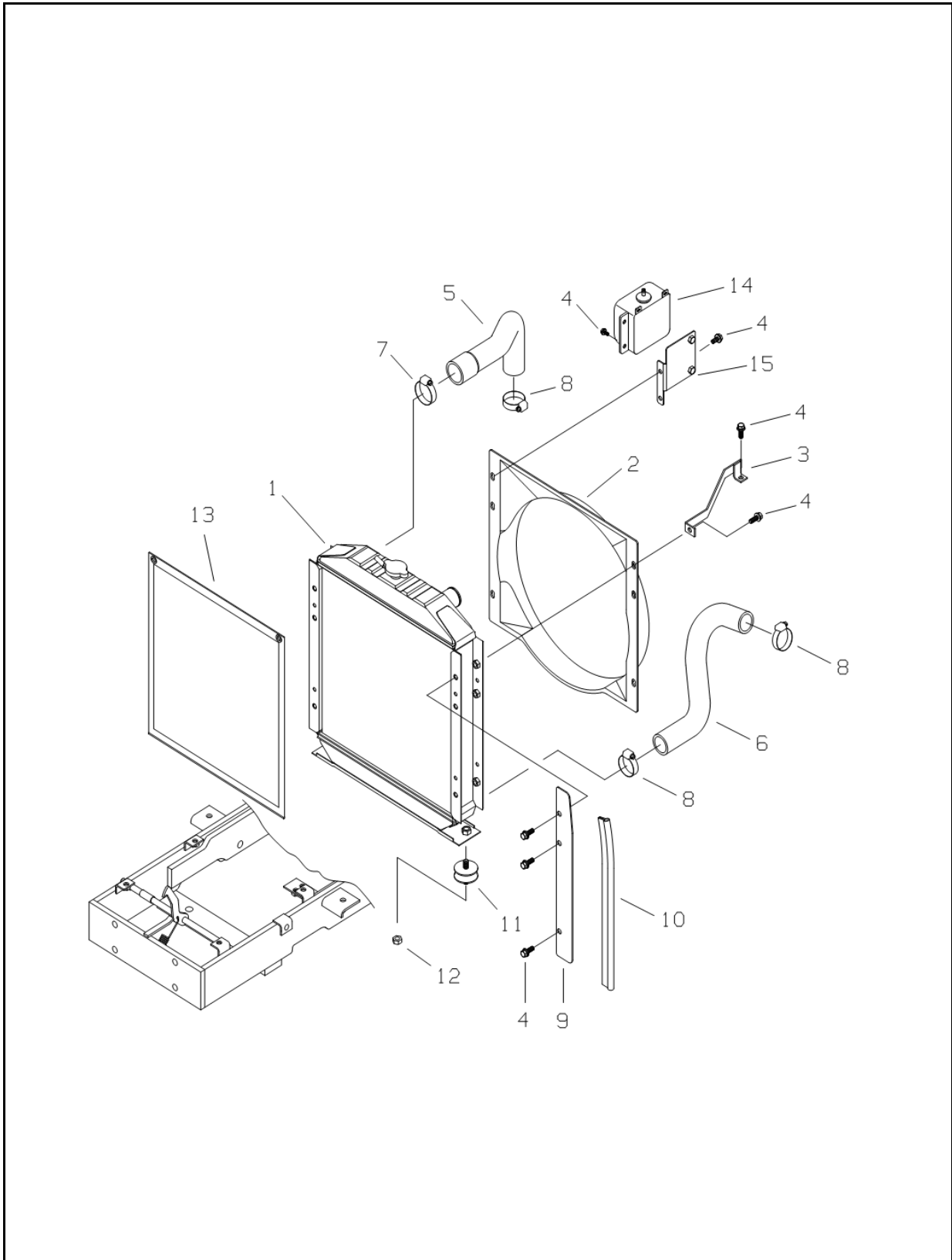
| NO. | PART NO.   | PART NAME & DESCRIPTION |             | QTY |   |   | APP.NO | REM. |
|-----|------------|-------------------------|-------------|-----|---|---|--------|------|
|     |            |                         |             | A   | B | C |        |      |
| 1   | A1151154   | MUFFLER ASSY            |             | *   | 1 |   |        |      |
| 2   | A1151101   | GASKET, MUFFLER         |             | *   | 1 |   |        |      |
| 3   | S345080013 | NUT, FLANGE             | M8          | *   | 6 |   |        |      |
| 4   | S155082033 | BOLT, HEX. W/WASHER     | M8x1.25x20L | *   | 1 |   |        |      |
| 5   | A1151100   | GASKET, MUFFLER         |             | *   | 1 |   |        |      |
| 6   | A1151166   | PIPE, TAIL              |             | *   | 1 |   |        |      |
|     |            |                         |             |     |   |   |        |      |
|     |            |                         |             |     |   |   |        |      |
|     |            |                         |             |     |   |   |        |      |
|     |            |                         |             |     |   |   |        |      |
|     |            |                         |             |     |   |   |        |      |
|     |            |                         |             |     |   |   |        |      |
|     |            |                         |             |     |   |   |        |      |
|     |            |                         |             |     |   |   |        |      |
|     |            |                         |             |     |   |   |        |      |
|     |            |                         |             |     |   |   |        |      |
|     |            |                         |             |     |   |   |        |      |
|     |            |                         |             |     |   |   |        |      |



# RADIATOR

FIG. 2-4B

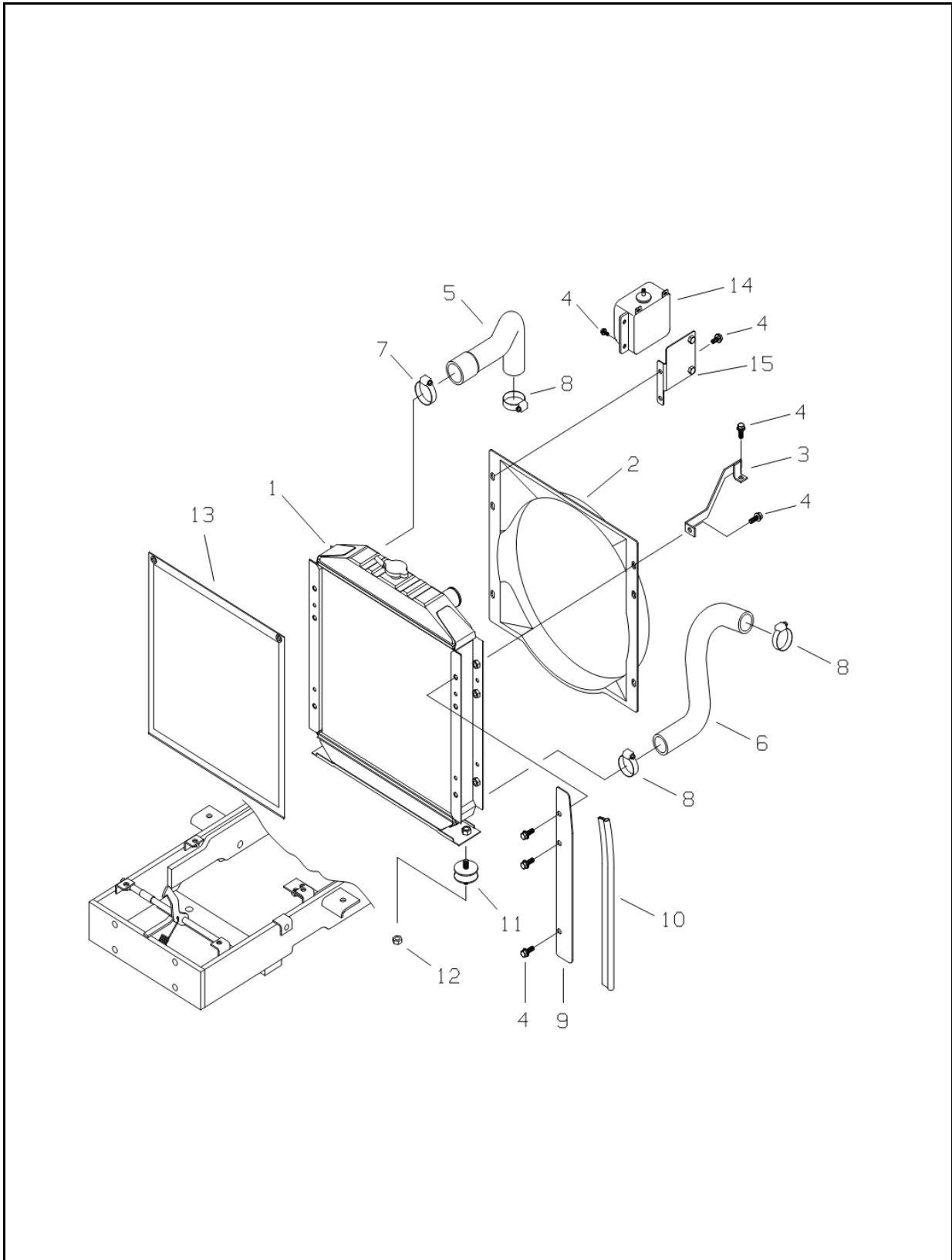
G. 170



# RADIATOR

FIG. 2-4B

G. 170



# RADIATOR

A-NOT AVAILABLE / B-i28,i36

A-NOT AVAILABLE / B-i28,i36

**FIG. 2-4B**

**( S4L )**

| NO. | PART NO.   | PART NAME & DESCRIPTION | QTY |   |             | APP.NO | REM. |
|-----|------------|-------------------------|-----|---|-------------|--------|------|
|     |            |                         | A   | B | C           |        |      |
| 1   | A1170278   | RADIATOR ASSY           | *   | 1 |             |        |      |
| 2   | A1170268   | SHROUD, FAN             | *   | 1 |             |        |      |
| 3   | A1170262   | BRACKET, RADIATOR       | *   | 1 |             |        |      |
| 4   | S155082033 | BOLT, HEX. W/WASHER     |     |   | M8x1.25x20L | *      | 13   |
| 5   | A1170248   | HOSE, WATER OUTLET      | *   | 1 |             |        |      |
| 6   | A1170249   | HOSE, WATER SUCTION     | *   | 1 |             |        |      |
| 7   | A1970201H  | CLAMP, HOSE             | *   | 1 |             |        |      |
| 8   | A1970201G  | CLAMP, HOSE             | *   | 3 |             |        |      |
| 9   | A1170234   | PLATE, WING             | *   | 2 |             |        |      |
| 10  | A1170253   | WEATHER STRIP           | *   | 2 |             |        |      |
| 11  | A1970360   | RUBBER, DAMPING         | *   | 2 |             |        |      |
| 12  | S346100013 | NUT, FLANGE B-TY        |     |   | M10x1.25P   | *      | 2    |
| 13  | A1170233   | NET, RADIATOR           | *   | 1 |             |        |      |
| 14  | A1170031   | TANK, RESERVOIR         | *   | 1 |             |        |      |
| 15  | A1170270   | BRACKET, RESERVOIR TANK | *   | 1 |             |        |      |
|     |            |                         |     |   |             |        |      |
|     |            |                         |     |   |             |        |      |
|     |            |                         |     |   |             |        |      |
|     |            |                         |     |   |             |        |      |
|     |            |                         |     |   |             |        |      |
|     |            |                         |     |   |             |        |      |
|     |            |                         |     |   |             |        |      |
|     |            |                         |     |   |             |        |      |

# RADIATOR

A-NOT AVAILABLE / B-i28,i36

A-NOT AVAILABLE / B-i28,i36

**FIG. 2-4B**

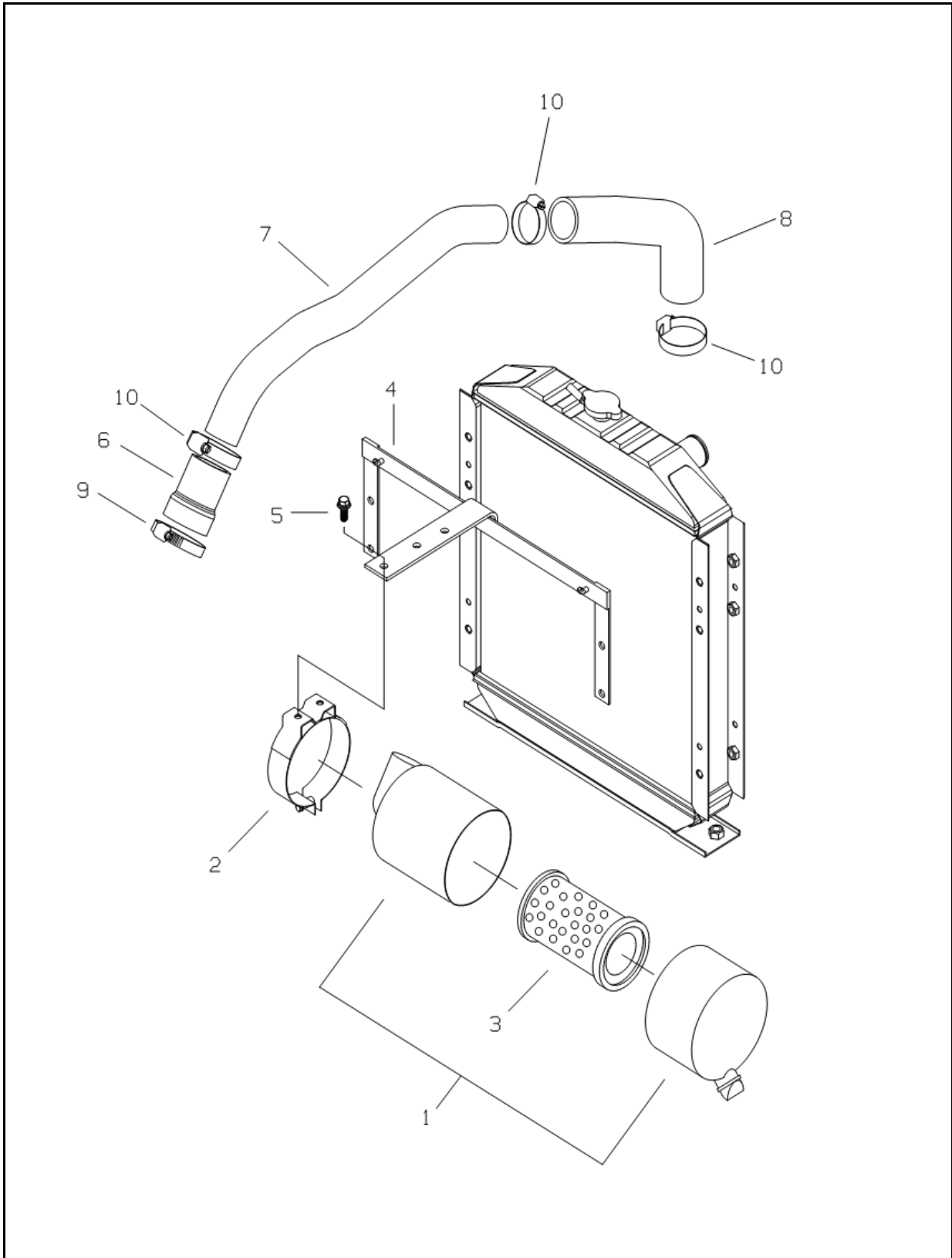
**( S4L )**

| NO. | PART NO.   | PART NAME & DESCRIPTION | QTY         |   |    | APP.NO | REM. |
|-----|------------|-------------------------|-------------|---|----|--------|------|
|     |            |                         | A           | B | C  |        |      |
| 1   | A1170239   | RADIATOR ASSY           | *           | 1 |    |        |      |
|     | A1170240   | RADIATOR ASSY           | *           | 1 |    |        |      |
| 2   | A1170250   | SHROUD, FAN             | *           | 1 |    |        |      |
|     | A1170268   | SHROUD, FAN             | *           | 1 |    |        |      |
| 3   | A1170242   | BRACKET, RADIATOR       | *           | 1 |    |        |      |
|     | A1170262   | BRACKET, RADIATOR       | *           | 1 |    |        |      |
| 4   | S155082033 | BOLT, HEX. W/WASHER     | M8x1.25x20L | * | 13 |        |      |
| 5   | A1170248   | HOSE, WATER OUTLET      | *           | 1 |    |        |      |
| 6   | A1170249   | HOSE, WATER SUCTION     | *           | 1 |    |        |      |
| 7   | A1970201H  | CLAMP, HOSE             | *           | 1 |    |        |      |
| 8   | A1970201G  | CLAMP, HOSE             | *           | 3 |    |        |      |
| 9   | A1170234   | PLATE, WING             | *           | 2 |    |        |      |
| 10  | A1170253   | WEATHER STRIP           | *           | 2 |    |        |      |
| 11  | A1970360   | RUBBER, DAMPING         | *           | 2 |    |        |      |
| 12  | S346100013 | NUT, FLANGE B-TY        | M10x1.25P   | * | 2  |        |      |
| 13  | A1170233   | NET, RADIATOR           | *           | 1 |    |        |      |
| 14  | A1170031   | TANK, RESERVOIR         | *           | 1 |    |        |      |
| 15  | A1170270   | BRACKET, RESERVOIR TANK | *           | 1 |    |        |      |
|     |            |                         |             |   |    |        |      |
|     |            |                         |             |   |    |        |      |
|     |            |                         |             |   |    |        |      |
|     |            |                         |             |   |    |        |      |
|     |            |                         |             |   |    |        |      |
|     |            |                         |             |   |    |        |      |
|     |            |                         |             |   |    |        |      |

# AIR CLEANER

FIG. 2-5

G. 190



# AIR CLEANER

A-NOT AVAILABLE / B-i28,i36

A-NOT AVAILABLE / B-i28,i36

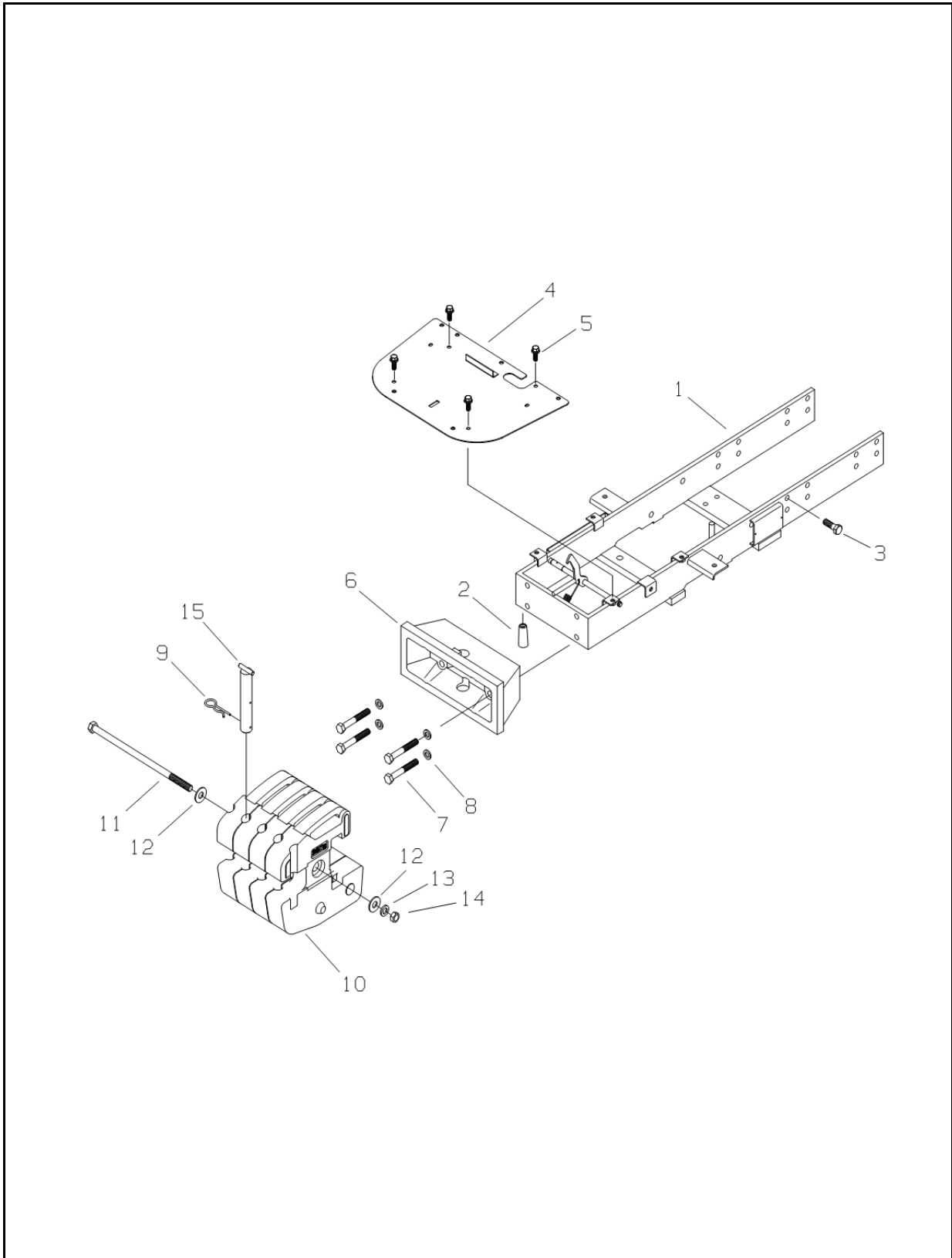
**FIG. 2-5**

| NO. | PART NO.   | PART NAME & DESCRIPTION | QTY         |   |   | APP.NO | REM. |
|-----|------------|-------------------------|-------------|---|---|--------|------|
|     |            |                         | A           | B | C |        |      |
| 1   | A1190110   | AIR CLEANER ASSY        | 1           | 1 |   |        |      |
| 2   | A1190113   | BAND, AIR CLEANER       | 1           | 1 |   |        |      |
| 3   | A1190111   | ELEMENT, PRIMARY        | 1           | 1 |   |        |      |
| 4   | A1190201   | BRACKET, AIR CLEANER    | 1           | * |   |        | L3A  |
|     | A1190181   | BRACKET, AIR CLEANER    | *           | 1 |   |        | S4L  |
| 5   | S155082033 | BOLT, HEX. W/WASHER     | M8x1.25x20L | 2 | 2 |        |      |
| 6   | A1190163   | HOSE, A AIR INTAKE      |             | 1 | 1 |        |      |
| 7   | A1190207   | PIPE, AIR INTAKE        |             | 1 | * |        | L3A  |
|     | A1190167   | PIPE, AIR INTAKE        |             | * | 1 |        | S4L  |
| 8   | A1190179   | HOSE, A AIR INTAKE      |             | 1 | 1 |        |      |
| 9   | A1970201K  | CLAMP, HOSE             |             | 1 | 1 |        |      |
| 10  | A1970201J  | CLAMP, HOSE             |             | 3 | 3 |        |      |
|     |            |                         |             |   |   |        |      |
|     |            |                         |             |   |   |        |      |
|     |            |                         |             |   |   |        |      |
|     |            |                         |             |   |   |        |      |
|     |            |                         |             |   |   |        |      |
|     |            |                         |             |   |   |        |      |
|     |            |                         |             |   |   |        |      |
|     |            |                         |             |   |   |        |      |

# ENGINE FRAME

FIG. 2-6B

G. 210,215



# ENGINE FRAME

A-NOT AVAILABLE / B-i28,i36

A-NOT AVAILABLE / B-i28,i36

**FIG. 2-6B**

**( S4L )**

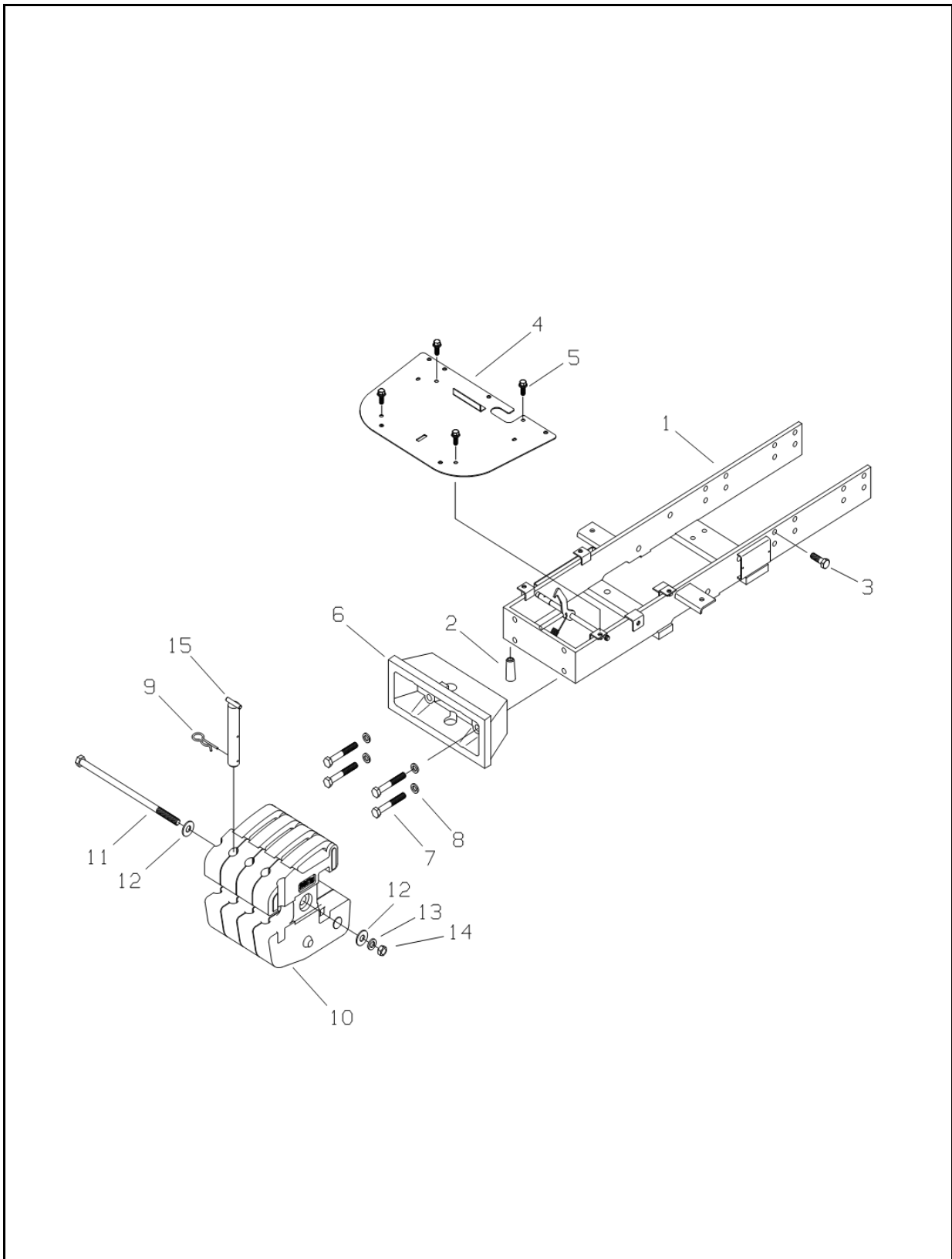
| NO. | PART NO.   | PART NAME & DESCRIPTION | QTY |    |             | APP.NO | REM. |
|-----|------------|-------------------------|-----|----|-------------|--------|------|
|     |            |                         | A   | B  | C           |        |      |
| 1   | A1210158   | FRAME, ENGINE           | *   | 1  |             |        |      |
| 2   | A0710037   | GRIP                    | *   | 1  |             |        |      |
| 3   | S154123533 | BOLT, HEX. W/WASHER     | *   | 16 |             |        |      |
| 4   | A1210124   | PLATE, BOTTOM           | *   | 1  |             |        |      |
| 5   | S155082033 | BOLT, HEX.              |     |    | M8x1.25x20L | *      | 4    |
| 6   | A1215040   | BUMPER                  | *   | 1  |             |        |      |
| 7   | S104141143 | BOLT, HEX.              | *   | 4  |             |        |      |
| 8   | S361140013 | WASHER, SPRING          |     |    | M14         | *      | 4    |
| 9   | A1970350   | PIN,SNAP                | *   | 1  |             |        |      |
| 10  | A1215030   | WEIGHT, FRONT           | *   | 4  |             |        |      |
| 11  | A1215028   | BOLT, HEX               | *   | 1  |             |        |      |
| 12  | 3A0010847  | WASHER, STOP            | *   | 2  |             |        |      |
| 13  | S361160013 | WASHER, SPR. 1-TY       | *   | 1  | M16         |        |      |
| 14  | S314160013 | NUT, HEX. S. 2-TY       | *   | 2  | M16x1.5P    |        |      |
| 15  | A1215031   | PIN, FRONT HOOK         | *   | 1  |             |        |      |
|     |            |                         |     |    |             |        |      |
|     |            |                         |     |    |             |        |      |
|     |            |                         |     |    |             |        |      |
|     |            |                         |     |    |             |        |      |
|     |            |                         |     |    |             |        |      |
|     |            |                         |     |    |             |        |      |
|     |            |                         |     |    |             |        |      |



# ENGINE FRAME

FIG. 2-6B

G. 210,215



# ENGINE FRAME

A-NOT AVAILABLE / B-i28,i36

A-NOT AVAILABLE / B-i28,i36

**FIG. 2-6B**

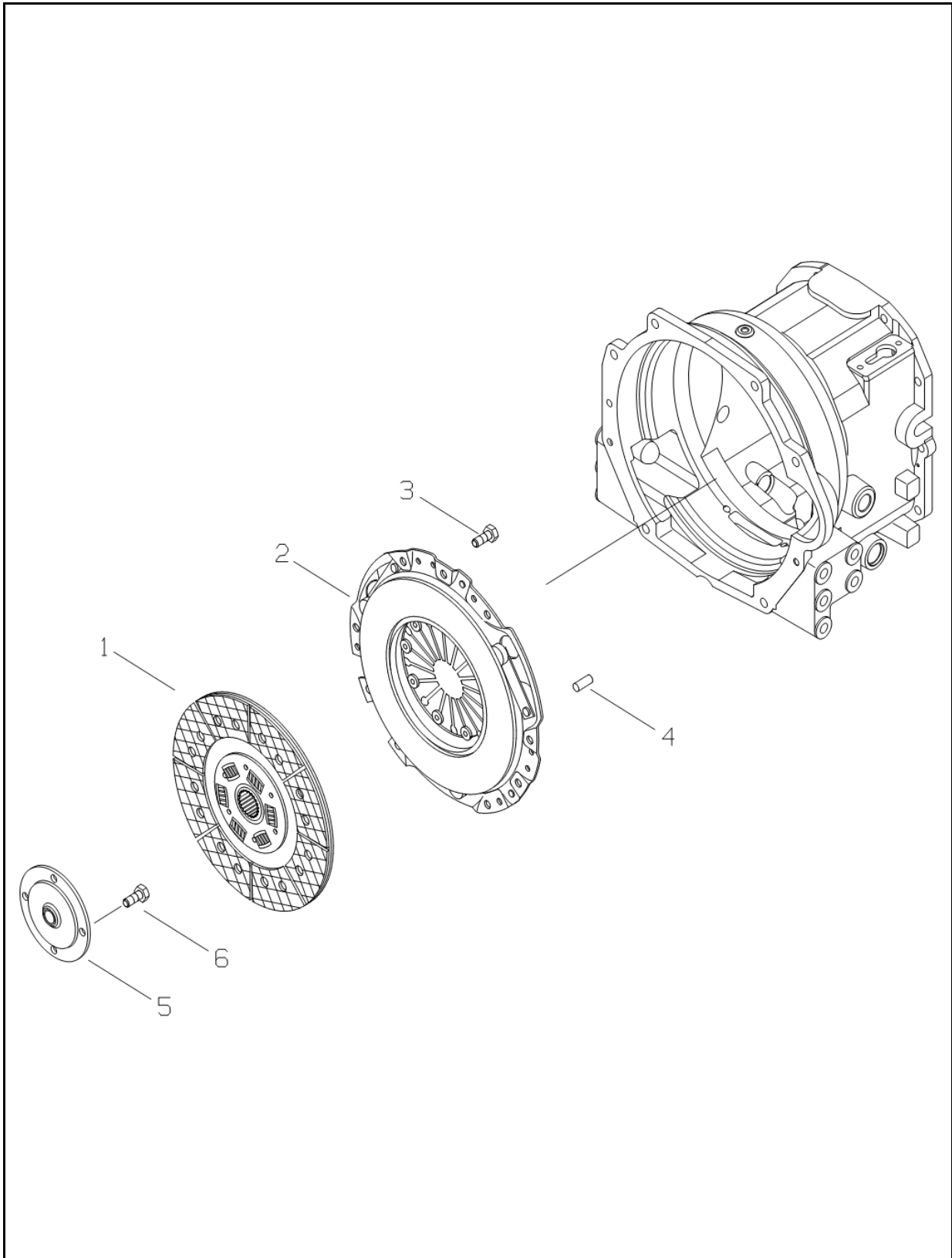
**( S4L )**

| NO. | PART NO.   | PART NAME & DESCRIPTION | QTY |    |             | APP.NO | REM. |
|-----|------------|-------------------------|-----|----|-------------|--------|------|
|     |            |                         | A   | B  | C           |        |      |
| 1   | A1210130   | FRAME, ENGINE           | *   | 1  |             |        |      |
| 2   | A0710037   | GRIP                    | *   | 1  |             |        |      |
| 3   | S154123533 | BOLT, HEX. W/WASHER     | *   | 16 |             |        |      |
| 4   | A1210124   | PLATE, BOTTOM           | *   | 1  |             |        |      |
| 5   | S155082033 | BOLT, HEX.              |     |    | M8x1.25x20L | *      | 4    |
| 6   | A1215040   | BUMPER                  | *   | 1  |             |        |      |
| 7   | S104141143 | BOLT, HEX.              | *   | 4  |             |        |      |
| 8   | S361140013 | WASHER, SPRING          | *   | 4  | M14         |        |      |
| 9   | A1970350   | PIN,SNAP                | *   | 1  |             |        |      |
| 10  | A1215030   | WEIGHT, FRONT           | *   | 4  |             |        |      |
| 11  | A1215028   | BOLT, HEX               | *   | 1  |             |        |      |
| 12  | 3A0010847  | WASHER, STOP            | *   | 2  |             |        |      |
| 13  | S361160013 | WASHER, SPR. 1-TY       | *   | 1  | M16         |        |      |
| 14  | S314160013 | NUT, HEX. S. 2-TY       | *   | 2  | M16x1.5P    |        |      |
| 15  | A1215031   | PIN, FRONT HOOK         | *   | 1  |             |        |      |
|     |            |                         |     |    |             |        |      |
|     |            |                         |     |    |             |        |      |
|     |            |                         |     |    |             |        |      |
|     |            |                         |     |    |             |        |      |
|     |            |                         |     |    |             |        |      |
|     |            |                         |     |    |             |        |      |
|     |            |                         |     |    |             |        |      |
|     |            |                         |     |    |             |        |      |
|     |            |                         |     |    |             |        |      |

# CLUTCH

FIG. 3-1A

G. 250



# CLUTCH

A-NOT AVAILABLE / B-i28,i36

A-NOT AVAILABLE / B-i28,i36

**FIG. 3-1A**

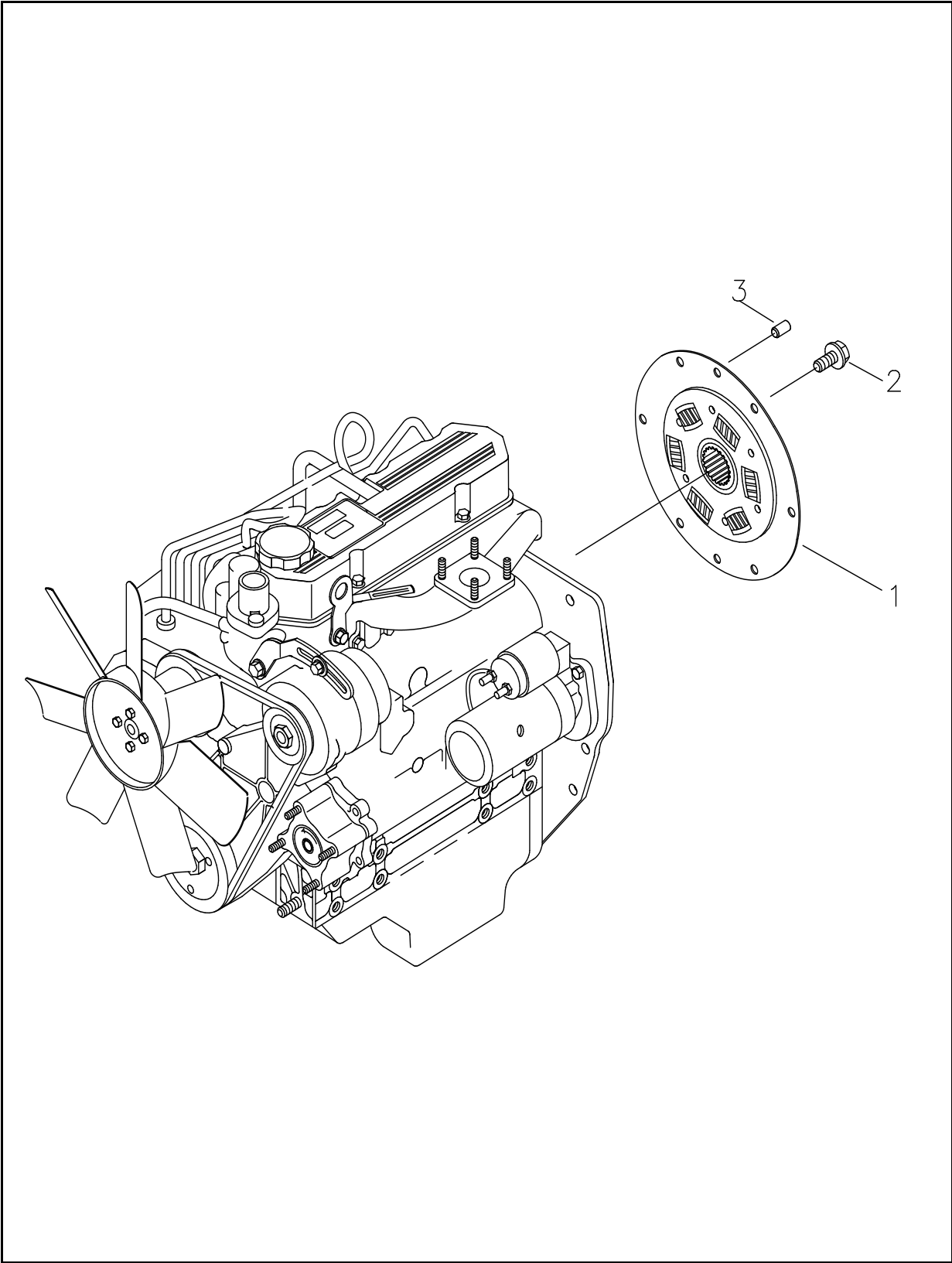
**( MEC )**

| NO. | PART NO.   | PART NAME & DESCRIPTION | QTY |   |             | APP.NO | REM. |
|-----|------------|-------------------------|-----|---|-------------|--------|------|
|     |            |                         | A   | B | C           |        |      |
| 1~2 | A1250111   | CLUTCH ASSY             | 1   | 1 |             |        |      |
| 1   | A1250107   | CLUTCH DISK ASSY        | 1   | 1 |             |        |      |
| 2   | A1250094   | CLUTCH COVER ASSY       | 1   | 1 |             |        |      |
| 3   | S153082533 | BOLT, HEX. W/WASHER     |     |   | M8x1.25x25L | 6      | 6    |
| 4   | S423081610 | PIN, PAR. A-TY.         |     |   | D8x16L      | 3      | 3    |
| 5   | A1281428   | SLEEVE, FLYWHEEL        | 1   | 1 |             |        |      |
| 6   | S153102533 | BOLT, HEX, W/WASHER     |     |   | M10X1.5X25L | 4      | 4    |
|     |            |                         |     |   |             |        |      |
|     |            |                         |     |   |             |        |      |
|     |            |                         |     |   |             |        |      |
|     |            |                         |     |   |             |        |      |
|     |            |                         |     |   |             |        |      |
|     |            |                         |     |   |             |        |      |
|     |            |                         |     |   |             |        |      |
|     |            |                         |     |   |             |        |      |
|     |            |                         |     |   |             |        |      |
|     |            |                         |     |   |             |        |      |
|     |            |                         |     |   |             |        |      |
|     |            |                         |     |   |             |        |      |
|     |            |                         |     |   |             |        |      |

# DAMPER

FIG. 3-1B

G. 250



# DAMPER

A-NOT AVAILABLE / B-i28,i36

A-NOT AVAILABLE / B-i28,i36

**FIG. 3-1B**

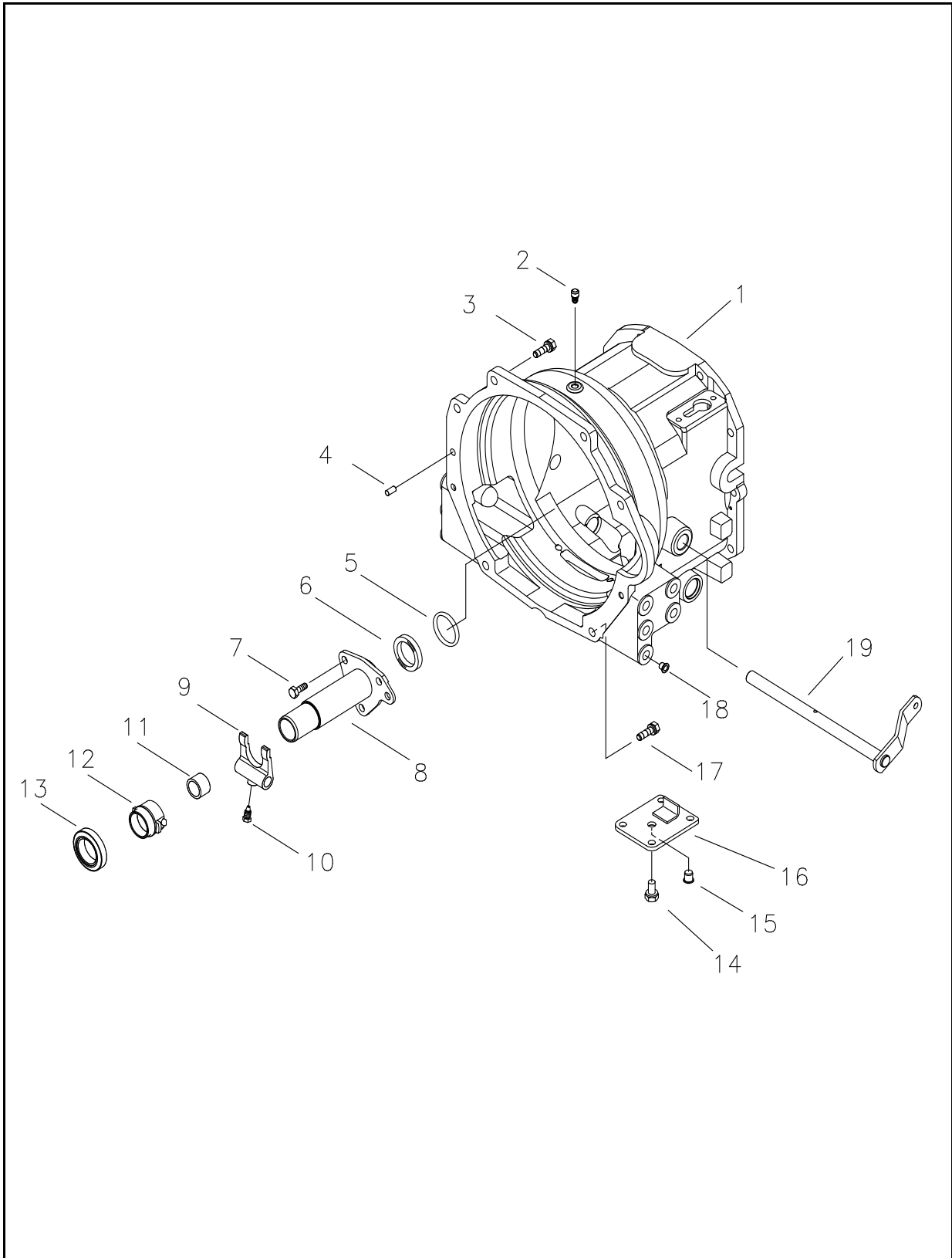
**( HST )**

| NO. | PART NO.   | PART NAME & DESCRIPTION |             | QTY |   |   | APP.NO | REM. |
|-----|------------|-------------------------|-------------|-----|---|---|--------|------|
|     |            |                         |             | A   | B | C |        |      |
| 1   | A1250158   | DAMPER ASSY             |             | 1   | 1 |   |        |      |
| 2   | S153082533 | BOLT, HEX               | M8x1.25x25L | 6   | 6 |   |        |      |
| 3   | S423081610 | PIN, DOWEL              | D8x16L      | 3   | 3 |   |        |      |
|     |            |                         |             |     |   |   |        |      |
|     |            |                         |             |     |   |   |        |      |
|     |            |                         |             |     |   |   |        |      |
|     |            |                         |             |     |   |   |        |      |
|     |            |                         |             |     |   |   |        |      |
|     |            |                         |             |     |   |   |        |      |
|     |            |                         |             |     |   |   |        |      |
|     |            |                         |             |     |   |   |        |      |
|     |            |                         |             |     |   |   |        |      |
|     |            |                         |             |     |   |   |        |      |
|     |            |                         |             |     |   |   |        |      |

# CLUTCH HOUSING

FIG. 3-2A

G. 250



# CLUTCH HOUSING

A-NOT AVAILABLE / B-i28,i36

A-NOT AVAILABLE / B-i28,i36

**FIG. 3-2A**

**( MEC )**

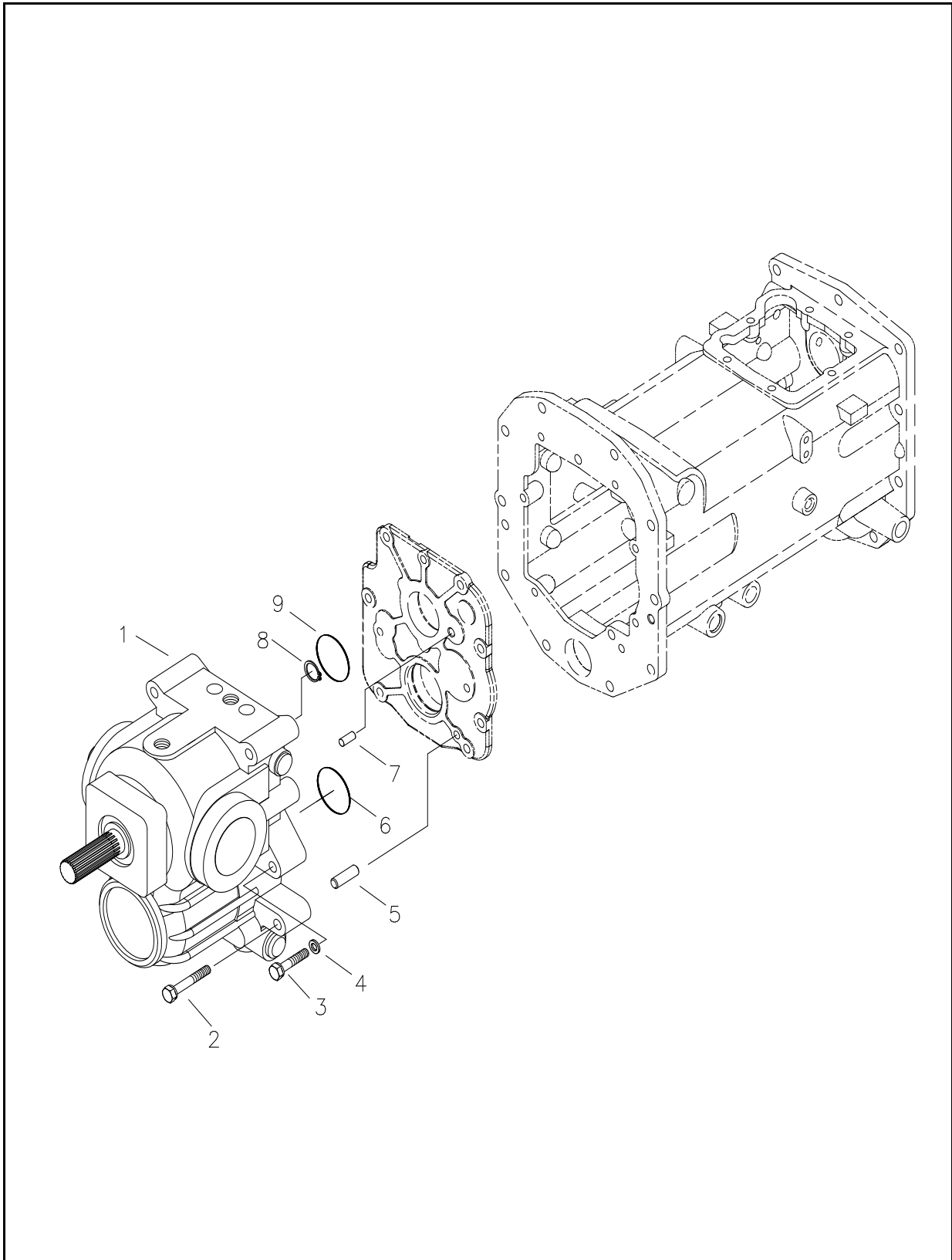
| NO. | PART NO.   | PART NAME & DESCRIPTION | QTY |   |                           | APP.NO | REM. |
|-----|------------|-------------------------|-----|---|---------------------------|--------|------|
|     |            |                         | A   | B | C                         |        |      |
| 1   | A1250161   | HOUSING, CLUTCH         | 1   | * |                           |        | L3A  |
|     | A1250157   | HOUSING, CLUTCH         | *   | 1 |                           |        | S4L  |
| 2   | A1250049   | PLUG, AIR BENT          | 1   | 1 |                           |        |      |
| 3   | S153123533 | BOLT, HEX               |     |   | M12X1.75X35L              | 6      | 6    |
| 4   | S423102010 | PIN, PAR. A-TY          | 2   | * |                           |        |      |
| 5   | S804060010 | O-RING                  | 1   | 1 |                           |        |      |
| 6   | A0651302   | SEAL, OIL               |     |   | TC30458                   | 1      | 1    |
| 7   | S154102533 | BOLT, HES. W/WASHER     |     |   | M10X1.25X25L              | 4      | 4    |
| 8   | A1250159   | COVER, MAIN SHAFT       | 1   | 1 |                           |        |      |
| 9   | A1250045   | LEVER, CLUTCH SHIFT     | 1   | 1 |                           |        |      |
| 10  | A1250047   | BOLT, LOCKING           | 1   | 1 | M12x1.25                  |        |      |
| 11  | A1250113   | BUSHING,SELF LUB        |     |   | MB3830DU(OD42xID38x30)    | 1      | 1    |
| 12  | A1250112   | HUB, RELEASE BEARING    | 1   | 1 |                           |        |      |
| 13  | A1250062   | BEARING, RELEASE        |     |   | TK45-4BU3(OD73.6xID45x18) | 1      | 1    |
| 14  | S154102033 | BOLT, HEX               |     |   | M10X1.25X20L              | 4      | 4    |
| 15  | 3A1250009  | PLUG                    | 1   | 1 |                           |        | DO   |
|     | A1250123   | PIN, SPLIT              | 1   | 1 |                           |        | EX   |
| 16  | A1280232   | COVER, HST HOUSING      | 1   | 1 |                           |        |      |
| 17  | S153126033 | BOLT, HEX. W/WASHER     |     |   | M12X1.75X60L              | 2      | 2    |
| 18  | 3A1970068  | PLUG                    |     |   | D12                       | 6      | 6    |
| 19  | A1260100   | SHAFT, CLUTCH LEVER     | 1   | 1 |                           |        |      |
|     |            |                         |     |   |                           |        |      |
|     |            |                         |     |   |                           |        |      |
|     |            |                         |     |   |                           |        |      |
|     |            |                         |     |   |                           |        |      |
|     |            |                         |     |   |                           |        |      |



# HST

FIG. 3-2B

G. 270



**FIG. 3-2B**

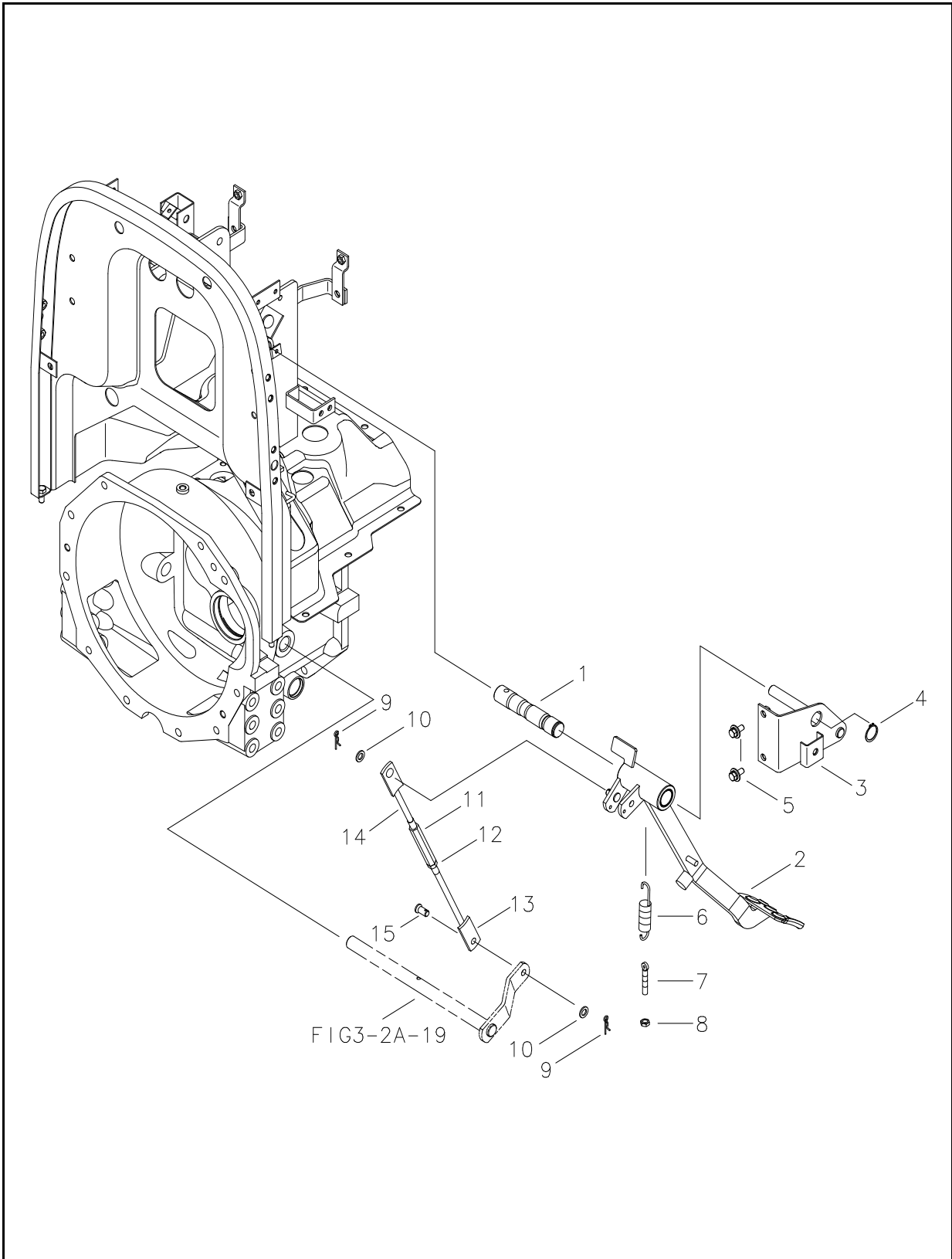
**( HST )**

| NO. | PART NO.   | PART NAME & DESCRIPTION |              | QTY |   |   | APP.NO | REM. |
|-----|------------|-------------------------|--------------|-----|---|---|--------|------|
|     |            |                         |              | A   | B | C |        |      |
| 1   | A1270007   | HST UNIT                |              | 1   | 1 |   |        | 23CC |
| 2   | S154107033 | BOLT, HEX. W/WASHER     | M10x1.25x70L | 2   | 2 |   |        |      |
| 3   | S103105043 | BOLT, HEX               | M10x1.25x50L | 2   | 2 |   |        |      |
| 4   | S361100013 | WASHER, SPRING          |              | 2   | 2 |   |        |      |
| 5   | S423103210 | PIN, PAR. A-TY          |              | 1   | 1 |   |        |      |
| 6   | S802070010 | O-RING                  |              | 1   | 1 |   |        |      |
| 7   | S423102010 | PIN, PAR. A-TY          |              | 1   | 1 |   |        |      |
| 8   | S810020001 | RING, SNAP              |              | 1   | 1 |   |        |      |
| 9   | S802065010 | O-RING                  |              | 1   | 1 |   |        |      |
|     |            |                         |              |     |   |   |        |      |
|     |            |                         |              |     |   |   |        |      |
|     |            |                         |              |     |   |   |        |      |
|     |            |                         |              |     |   |   |        |      |
|     |            |                         |              |     |   |   |        |      |
|     |            |                         |              |     |   |   |        |      |
|     |            |                         |              |     |   |   |        |      |
|     |            |                         |              |     |   |   |        |      |
|     |            |                         |              |     |   |   |        |      |

# CLUTCH PEDAL

FIG. 3-3

G. 260



# CLUTCH PEDAL

A-NOT AVAILABLE / B-i28,i36

A-NOT AVAILABLE / B-i28,i36

**FIG. 3-3**

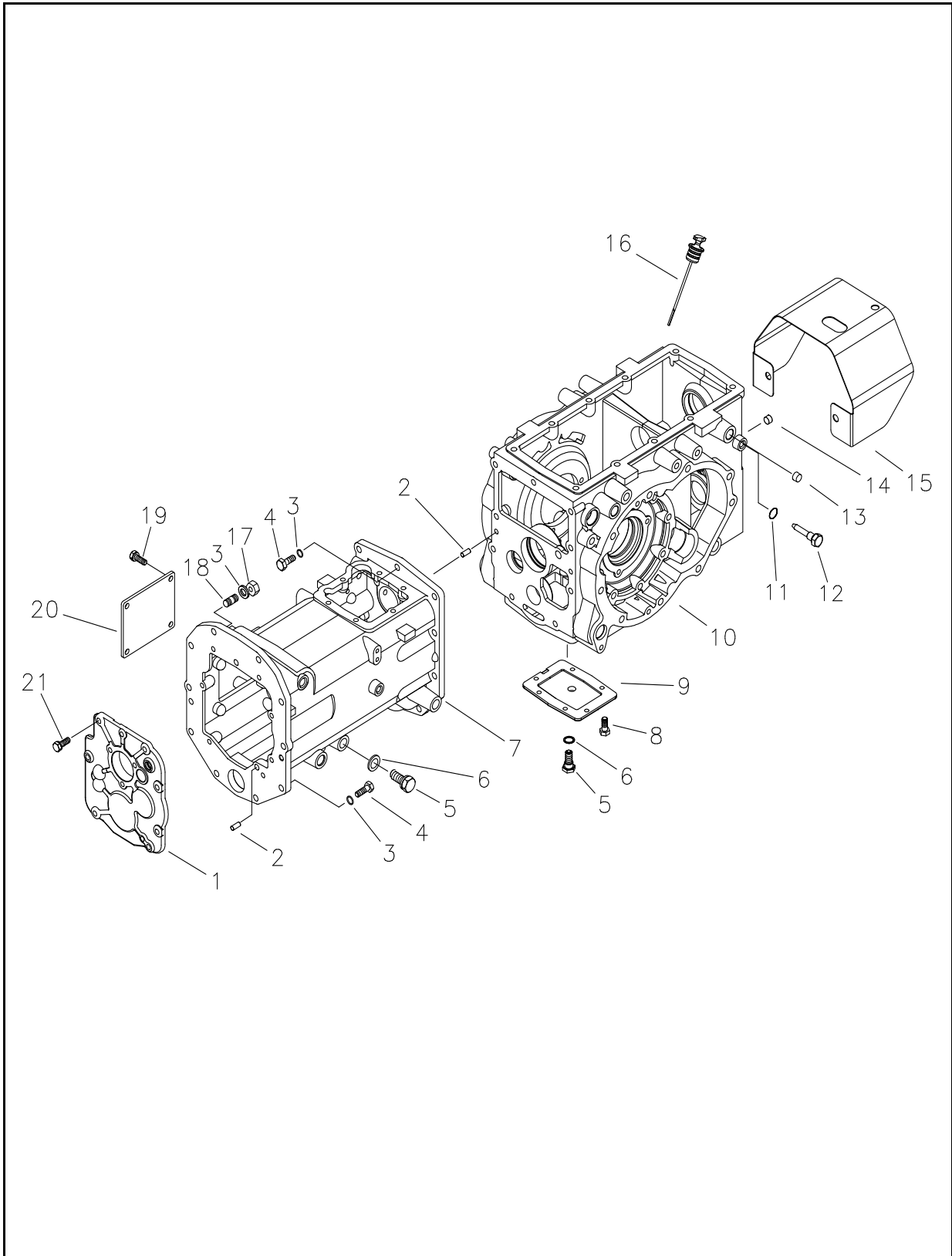
**( MEC )**

| NO.   | PART NO.   | PART NAME & DESCRIPTION | QTY        |   |   | APP.NO | REM. |
|-------|------------|-------------------------|------------|---|---|--------|------|
|       |            |                         | A          | B | C |        |      |
| 1     | A1670311   | SHAFT, BRAKE PEDAL      | 1          | 1 |   |        |      |
| 2     | A1260115   | PEDAL, CLUTCH           | 1          | 1 |   |        |      |
| 3     | A1260099   | STOPPER, CLUTCH PEDAL   | 1          | 1 |   |        |      |
| 4     | S810025001 | RING, SNAP              | 1          | 1 |   |        |      |
| 5     | S159082033 | BOLT, HEX               | M8X1.25X20 | 2 | 2 |        |      |
| 6     | A1260112   | SPRING                  |            | 1 | 1 |        |      |
| 7     | A1260109   | BOLT, ADJUSTER          | M8X1.25    | 1 | 1 |        |      |
| 8     | A0610274   | NUT, LOCK               | M8X1.25    | 1 | 1 |        |      |
| 9     | S443100013 | PIN, SNAP               |            | 2 | 2 |        |      |
| 10    | S363100013 | WASHER, PLN             |            | 2 | 2 |        |      |
| 11~14 | A1260104   | CLUTCH LINK ASSY        |            | 1 | 1 |        |      |
| 11    | A1260078   | ADJUSTER, CONTROL       |            | 1 | 1 |        |      |
| 12    | S314100013 | NUT, HEX                |            | 1 | 1 |        |      |
| 13    | A1260103   | LINK(B)                 |            | 1 | 1 |        |      |
| 14    | A1260102   | LINK(A)                 |            | 1 | 1 |        |      |
| 15    | A1260111   | PIN, CLUTCH             |            | 1 | 1 |        |      |
|       |            |                         |            |   |   |        |      |
|       |            |                         |            |   |   |        |      |
|       |            |                         |            |   |   |        |      |
|       |            |                         |            |   |   |        |      |
|       |            |                         |            |   |   |        |      |
|       |            |                         |            |   |   |        |      |
|       |            |                         |            |   |   |        |      |

# TRANSMISSION CASE

FIG. 3-4A

G. 280



# TRANSMISSION CASE

A-NOT AVAILABLE / B-i28,i36

A-NOT AVAILABLE / B-i28,i36

**FIG. 3-4A**

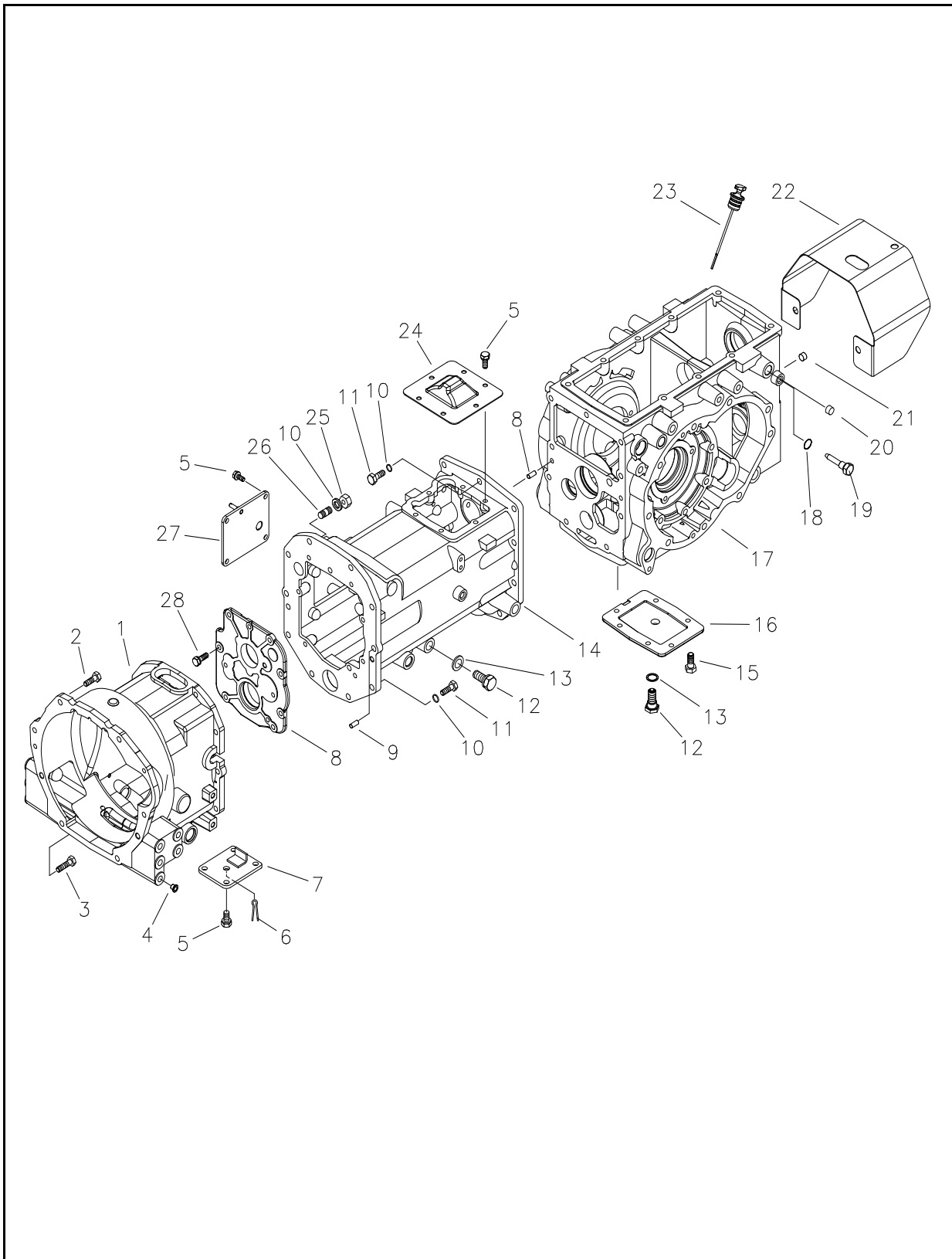
**( MEC )**

| NO. | PART NO.   | PART NAME & DESCRIPTION | QTY |    |   | APP.NO | REM. |
|-----|------------|-------------------------|-----|----|---|--------|------|
|     |            |                         | A   | B  | C |        |      |
| 1   | A1280228   | COVER, CENTER CASE      | 1   | 1  |   |        |      |
| 2   | S423102010 | PIN, PAR. A-TY          | 6   | 6  |   |        |      |
| 3   | S361120013 | WASHER, PLN             | 19  | 19 |   |        |      |
| 4   | S105123533 | BOLT, HEX               | 15  | 15 |   |        |      |
| 5   | 3A1250013  | PLUG, DRAIN             | 2   | 2  |   |        |      |
| 6   | A10263360  | SEAL                    | 2   | 2  |   |        |      |
| 7   | A1280235   | CASE, CENTER            | 1   | 1  |   |        |      |
| 8   | S154102533 | BOLT, HEX W/WASHER      | 6   | 6  |   |        |      |
| 9   | A1280202   | COVER, M/PTO            | 1   | 1  |   |        |      |
| 10  | A1280225   | CASE, AXLE              | 1   | 1  |   |        |      |
| 11  | S801010A10 | O-RING                  | 1   | 1  |   |        | EX   |
| 12  | A1291195   | BOLT, SELF LOCK         | 1   | 1  |   |        | EX   |
| 13  | 3A1290009  | CAP, RAIL               | 1   | 1  |   |        | EX   |
| 14  | Q0710004   | CAP, RAIL               | 1   | 1  |   |        | EX   |
| 15  | A1280092   | COVER, PTO              | 1   | 1  |   |        | DO   |
|     | A1280245   | SHIELD, PTO             | 1   | 1  |   |        | EC   |
| 16  | A1280161   | GUAGE, OIL LEVEL        | 1   | 1  |   |        |      |
| 17  | S305120013 | NUT, HEX. 2-TY.         | 4   | 4  |   |        |      |
| 18  | S139123523 | BOLT, STUD              | 4   | 4  |   |        |      |
| 19  | S154102033 | BOLT, HEX. W/WASHER     | 4   | 4  |   |        |      |
| 20  | A1280210   | COVER, MAIN FORK        | 1   | 1  |   |        |      |
| 21  | S154103033 | BOLT, HEX. W/WASHER     | 7   | 7  |   |        |      |
|     |            |                         |     |    |   |        |      |
|     |            |                         |     |    |   |        |      |
|     |            |                         |     |    |   |        |      |
|     |            |                         |     |    |   |        |      |
|     |            |                         |     |    |   |        |      |

# TRANSMISSION CASE

FIG. 3-4B

G. 280



# TRANSMISSION CASE

A-NOT AVAILABLE / B-i28,i36

A-NOT AVAILABLE / B-i28,i36

**FIG. 3-4B**

**( HST )**

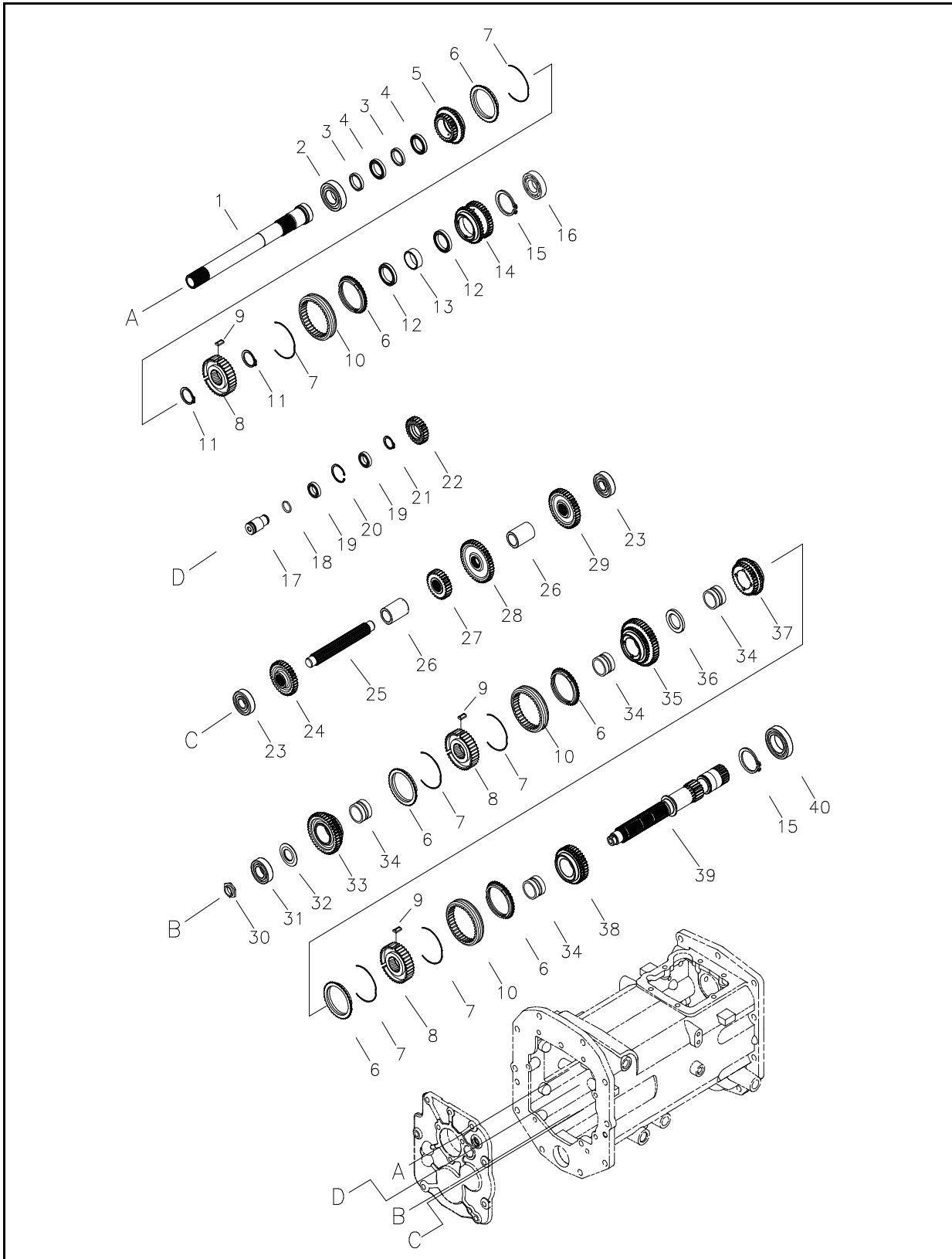
| NO. | PART NO.   | PART NAME & DESCRIPTION | QTY         |    |   | APP.NO | REM. |
|-----|------------|-------------------------|-------------|----|---|--------|------|
|     |            |                         | A           | B  | C |        |      |
| 1   | A1280223   | HOUSING, HST            |             | 1  |   |        |      |
| 2   | S153123533 | BOLT, HEX               | M12X1.75X35 | 6  |   |        |      |
| 3   | S153126033 | BOLT, HEX               | M12X1.75X60 | 2  |   |        |      |
| 4   | 3A1970068  | PLUG                    | D12         | 6  |   |        |      |
| 5   | S154102033 | BOLT, HEX. W/WASHER     |             | 14 |   |        |      |
| 6   | A1250123   | PIN, SPLIT              |             | 1  |   |        |      |
| 7   | A1280232   | COVER, HOUSING          |             | 1  |   |        |      |
| 8   | A1280227   | COVER, C/CASE FRONT     |             | 1  |   |        |      |
| 9   | S423102010 | PIN, PAR. A-TY          |             | 4  |   |        |      |
| 10  | S361120013 | WASHER, PLN             |             | 19 |   |        |      |
| 11  | S105123543 | BOLT, HEX.              |             | 15 |   |        |      |
| 12  | 3A1250013  | PLUG, DRAIN             |             | 2  |   |        |      |
| 13  | A10263360  | SEAL                    |             | 2  |   |        |      |
| 14  | A1280224   | CASE, CENTER            |             | 1  |   |        |      |
| 15  | S154102533 | BOLT, HEX. W/WASHER     |             | 6  |   |        |      |
| 16  | A1280202   | COVER, M/PTO            |             | 1  |   |        |      |
| 17  | A1280225   | CASE, AXLE              |             | 1  |   |        |      |
| 18  | S801010A10 | O-RING                  |             | 1  |   |        |      |
| 19  | A1291195   | BOLT, SELF LOCK         |             | 1  |   |        |      |
| 20  | 3A1290009  | CAP, RAIL               |             | 1  |   |        |      |
| 21  | Q0710004   | CAP, RAIL               |             | 1  |   |        |      |
| 22  | A1280092   | COVER, PTO              |             | 1  |   |        | EC   |
|     | A1280245   | SHIELD, PTO             |             | 1  |   |        |      |
| 23  | A1280161   | GUAGE, OIL LEVEL        |             | 1  |   |        |      |
| 24  | A1280230   | COVER, PTO CLUTCH       |             | 1  |   |        |      |
| 25  | S305120013 | NUT, HEX. 2-TY.         |             | 4  |   |        |      |
| 26  | S139123523 | BOLT, STUD              |             | 4  |   |        |      |
| 27  | A1280229   | COVER, C/CASE RH        |             | 1  |   |        |      |
| 28  | S154103033 | BOLT, HEX. W/WASHER     |             | 5  |   |        |      |
|     |            |                         |             |    |   |        |      |
|     |            |                         |             |    |   |        |      |
|     |            |                         |             |    |   |        |      |



# MAIN SHAFT

FIG. 3-5

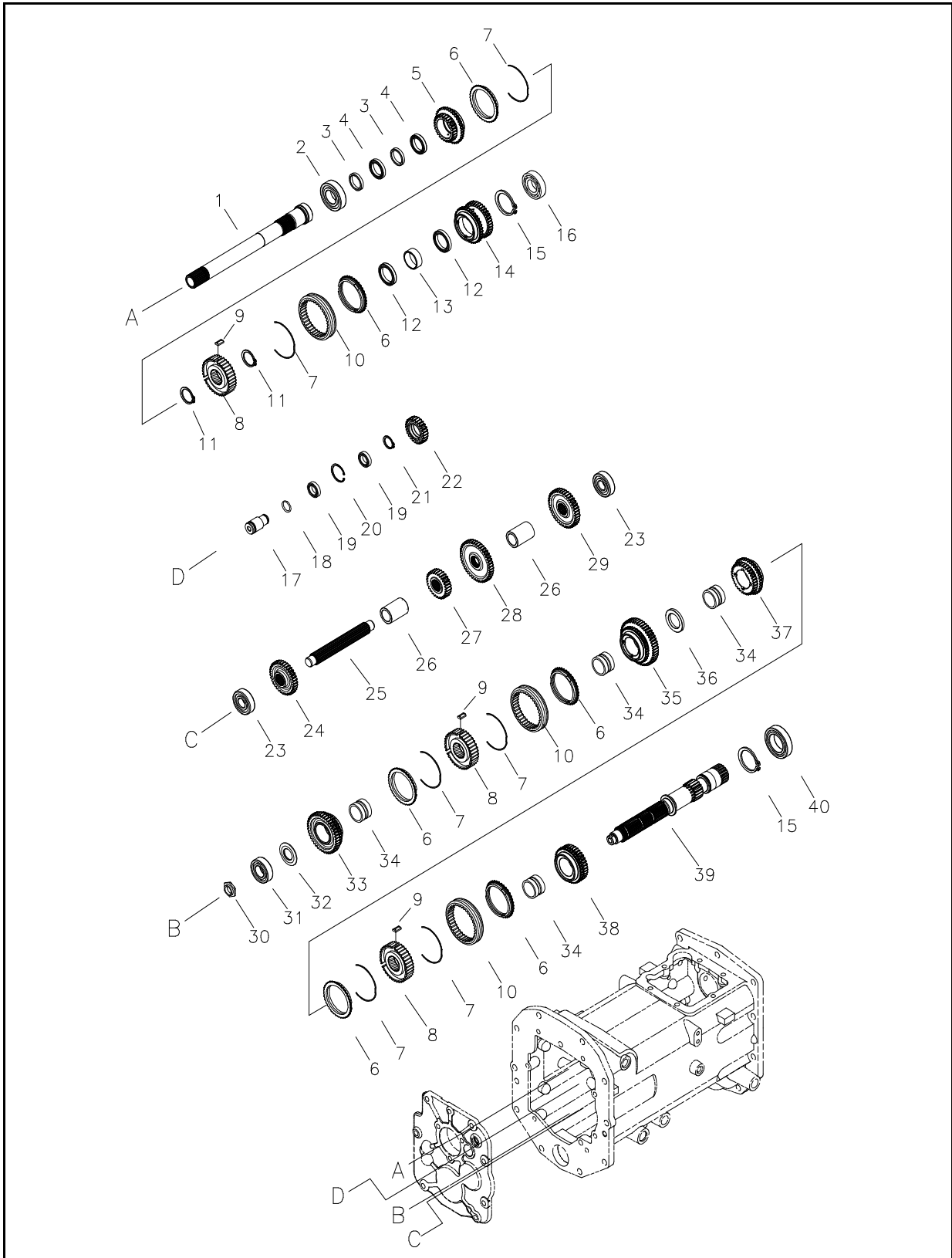
G. 281



주 축  
MAIN SHAFT

FIG. 3-5

G. 281



# MAIN SHAFT

A-NOT AVAILABLE / B-i28,i36

A-NOT AVAILABLE / B-i28,i36

**FIG. 3-5**

**( MEC )**

| NO. | PART NO.   | PART NAME & DESCRIPTION   | QTY |   |   | APP.NO | REM.    |
|-----|------------|---------------------------|-----|---|---|--------|---------|
|     |            |                           | A   | B | C |        |         |
| 1   | A1281654   | SHAFT, F-R DRV            | 1   | 1 |   |        |         |
| 2   | A0862060   | BEARING, BALL             | 1   | 1 |   |        | #6206   |
| 3   | A1285199   | GEAR, REV/DRV             | 2   | 2 |   |        |         |
| 4   | A0868060   | BEARING, BALL             | 2   | 2 |   |        | #6806   |
| 5   | A1281652   | GEAR, REV. DRV (28T)      | 1   | 1 |   |        |         |
| 6   | A1281354   | RING, CYNCHRONIZER        | 6   | 6 |   |        |         |
| 7   | A1281021   | SPING                     | 6   | 6 |   |        |         |
| 8   | A1281384   | HUB, SHIFT                | 3   | 3 |   |        |         |
| 9   | 3A1281020  | PIECE                     | 9   | 9 |   |        |         |
| 10  | A1281361   | SLEEVE                    | 3   | 3 |   |        |         |
| 11  | S810032001 | RING, SNAP                | 2   | 2 |   |        |         |
| 12  | A0868070   | BEARING, BALL             | 2   | 2 |   |        |         |
| 13  | A1281655   | SPACER,F-R DRVN(SP-1)     | 1   | 1 |   |        |         |
| 14  | A1281653   | GEAR, FWD DRV (37T)       | 1   | 1 |   |        |         |
| 15  | S810040001 | RING, SNAP                | 2   | 2 |   |        |         |
| 16  | A0869080   | BEARING, BALL             | 1   | 1 |   |        | #6908   |
| 17  | A1281591   | SHAFT, R/IDLE             | 1   | 1 |   |        |         |
| 18  | S801021010 | O-RING                    | 1   | 1 |   |        |         |
| 19  | A0868040   | BEARING, BALL             | 2   | 2 |   |        |         |
| 20  | S811032001 | RING, SNAP                | 1   | 1 |   |        |         |
| 21  | S810020001 | RING, SNAP                | 1   | 1 |   |        |         |
| 22  | A1281666   | GEAR, REV IDLE (26T)      | 1   | 1 |   |        |         |
| 23  | A0863040   | BEARING, BALL             | 2   | 2 |   |        |         |
| 24  | A1281658   | GEAR, MAIN 2ND DRV (35T)  | 1   | 1 |   |        |         |
| 25  | A1281664   | SHAFT, MAIN DRV           | 1   | 1 |   |        |         |
| 26  | A1285297   | SPACER                    | 2   | 2 |   |        |         |
| 27  | A1281656   | GEAR MAIN 1ST DRV (28T)   | 1   | 1 |   |        |         |
| 28  | A1281662   | GEAR MAIN 4TH DRV (44T)   | 1   | 1 |   |        |         |
| 29  | A1285290   | GEAR,RANGE DRVN (40T)     | 1   | 1 |   |        |         |
| 30  | A1281602   | NET, LOCK                 | 1   | 1 |   |        | M20X1.5 |
| 31  | A0862050   | BEARING, BALL             | 1   | 1 |   |        | #6205   |
| 32  | A1281597   | SPACER,F-R DRVN(SP-1)     | 1   | 1 |   |        |         |
| 33  | A1281659   | GEAR, MAIN 2ND DRVN (42T) | 1   | 1 |   |        |         |
| 34  | A1281081   | SLEEVE, GEAR              | 4   | 4 |   |        |         |
| 35  | A1281657   | GEAR, MAIN 1ST DRVN (49T) | 1   | 1 |   |        |         |
| 36  | A1281573   | SPACER                    | 1   | 1 |   |        |         |
| 37  | A1281663   | GEAR, MAIN 4TH DRVN (33T) | 1   | 1 |   |        |         |
| 38  | A1281661   | GEAR, MAIN 3RD DRVN (37T) | 1   | 1 |   |        |         |
| 39  | A1281701   | SHAFRT, MAIN DRVN W/GEAR  | 1   | 1 |   |        |         |
| 40  | A0860080HL | BEARING, BALL             | 1   | 1 |   |        | #6008HL |
|     |            |                           |     |   |   |        |         |

# 주 축

A-NOT AVAILABLE / B-i28,i36

# MAIN SHAFT

A-NOT AVAILABLE / B-i28,i36

FIG. 3-5

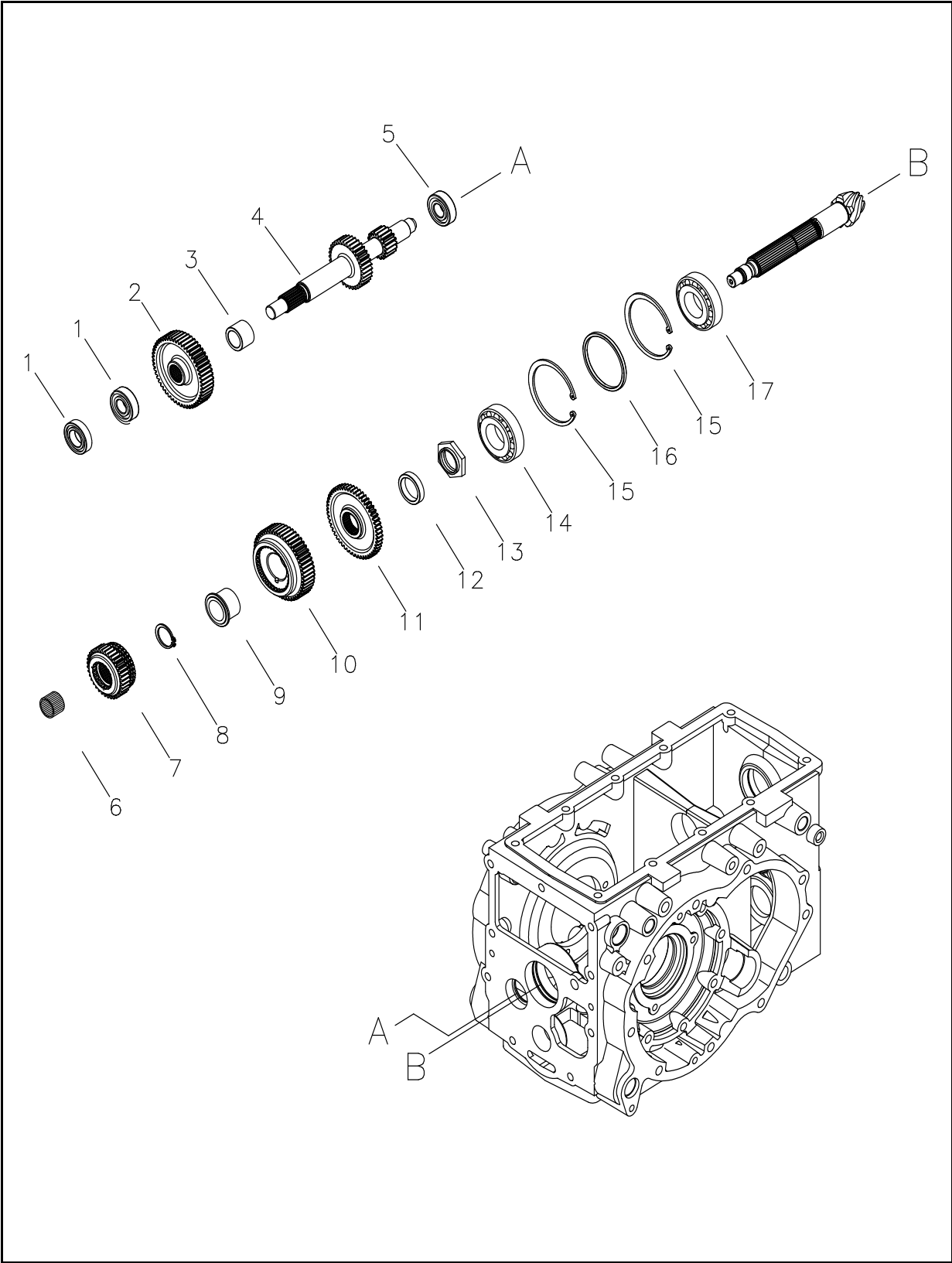
( MEC )

| NO. | PART NO.   | PART NAME & DESCRIPTION |                           | QTY |   |   | APP.NO | REM.    |
|-----|------------|-------------------------|---------------------------|-----|---|---|--------|---------|
|     |            |                         |                           | A   | B | C |        |         |
| 1   | A1281654   | 전후진 구동축                 | SHAFT, F-R DRV            | 1   | 1 |   |        |         |
| 2   | A0862060   | 볼베어링                    | BEARING, BALL             | 1   | 1 |   |        | #6206   |
| 3   | A1285199   | 스페이서                    | GEAR, REV/DRV             | 2   | 2 |   |        |         |
| 4   | A0868060   | 볼베어링                    | BEARING, BALL             | 2   | 2 |   |        | #6806   |
| 5   | A1281652   | 후진구동기어 (28T)            | GEAR, REV. DRV (28T)      | 1   | 1 |   |        |         |
| 6   | A1281354   | 싱크로나이저링                 | RING, CYNCHRONIZER        | 6   | 6 |   |        |         |
| 7   | A1281021   | 스프링                     | SPING                     | 6   | 6 |   |        |         |
| 8   | A1281384   | 변속 허브                   | HUB, SHIFT                | 3   | 3 |   |        |         |
| 9   | 3A1281020  | 피스                      | PIECE                     | 9   | 9 |   |        |         |
| 10  | A1281361   | 슬리브                     | SLEEVE                    | 3   | 3 |   |        |         |
| 11  | S810032001 | 스냅링                     | RING, SNAP                | 2   | 2 |   |        |         |
| 12  | A0868070   | 볼베어링                    | BEARING, BALL             | 2   | 2 |   |        |         |
| 13  | A1281655   | 스페이서                    | SPACER,F-R DRVN(SP-1)     | 1   | 1 |   |        |         |
| 14  | A1281653   | 전진 구동 기어(37T)           | GEAR, FWD DRV (37T)       | 1   | 1 |   |        |         |
| 15  | S810040001 | 스냅링                     | RING, SNAP                | 2   | 2 |   |        |         |
| 16  | A0869080   | 볼베어링                    | BEARING, BALL             | 1   | 1 |   |        | #6908   |
| 17  | A1281591   | 후진 아이들 축                | SHAFT, R/IDLE             | 1   | 1 |   |        |         |
| 18  | S801021010 | 오-링                     | O-RING                    | 1   | 1 |   |        |         |
| 19  | A0868040   | 볼베어링                    | BEARING, BALL             | 2   | 2 |   |        |         |
| 20  | S811032001 | 스냅링                     | RING, SNAP                | 1   | 1 |   |        |         |
| 21  | S810020001 | 스냅링                     | RING, SNAP                | 1   | 1 |   |        |         |
| 22  | A1281666   | 주변속 후진 기어 (26T)         | GEAR, REV IDLE (26T)      | 1   | 1 |   |        |         |
| 23  | A0863040   | 볼베어링                    | BEARING, BALL             | 2   | 2 |   |        |         |
| 24  | A1281658   | 2단 구동기어(35T)            | GEAR, MAIN 2ND DRV (35T)  | 1   | 1 |   |        |         |
| 25  | A1281664   | 주변속 구동축                 | SHAFT, MAIN DRV           | 1   | 1 |   |        |         |
| 26  | A1285297   | 스페이서                    | SPACER                    | 2   | 2 |   |        |         |
| 27  | A1281656   | 1단 구동기어(28T)            | GEAR MAIN 1ST DRV (28T)   | 1   | 1 |   |        |         |
| 28  | A1281662   | 4단 구동 기어(44T)           | GEAR MAIN 4TH DRV (44T)   | 1   | 1 |   |        |         |
| 29  | A1285290   | 주변속 피동 기어 (40T)         | GEAR,RANGE DRVN (40T)     | 1   | 1 |   |        |         |
| 30  | A1281602   | 너트                      | NET, LOCK                 | 1   | 1 |   |        | M20X1.5 |
| 31  | A0862050   | 볼베어링                    | BEARING, BALL             | 1   | 1 |   |        | #6205   |
| 32  | A1281597   | 스페이서                    | SPACER,F-R DRVN(SP-1)     | 1   | 1 |   |        |         |
| 33  | A1281659   | 2단 피동기어(42T)            | GEAR, MAIN 2ND DRVN (42T) | 1   | 1 |   |        |         |
| 34  | A1281081   | 기어 슬리브                  | SLEEVE, GEAR              | 4   | 4 |   |        |         |
| 35  | A1281657   | 1단 피동기어 (49T)           | GEAR, MAIN 1ST DRVN (49T) | 1   | 1 |   |        |         |
| 36  | A1281573   | 스페이서                    | SPACER                    | 1   | 1 |   |        |         |
| 37  | A1281663   | 4단 피동기어 (33T)           | GEAR, MAIN 4TH DRVN (33T) | 1   | 1 |   |        |         |
| 38  | A1281661   | 3단 피동기어 (37T)           | GEAR, MAIN 3RD DRVN (37T) | 1   | 1 |   |        |         |
| 39  | A1281665   | 주변속 피동축                 | SHAFT, MAIN DRVN W/GEAR   | 1   | 1 |   |        |         |
| 40  | A0860080   | 볼베어링                    | BEARING, BALL             | 1   | 1 |   |        | #6008   |

# RANGE GEAR SHAFT

FIG. 3-6A

G. 285



# RANGE GEAR SHAFT

A-NOT AVAILABLE / B-i28,i36

A-NOT AVAILABLE / B-i28,i36

**FIG. 3-6A**

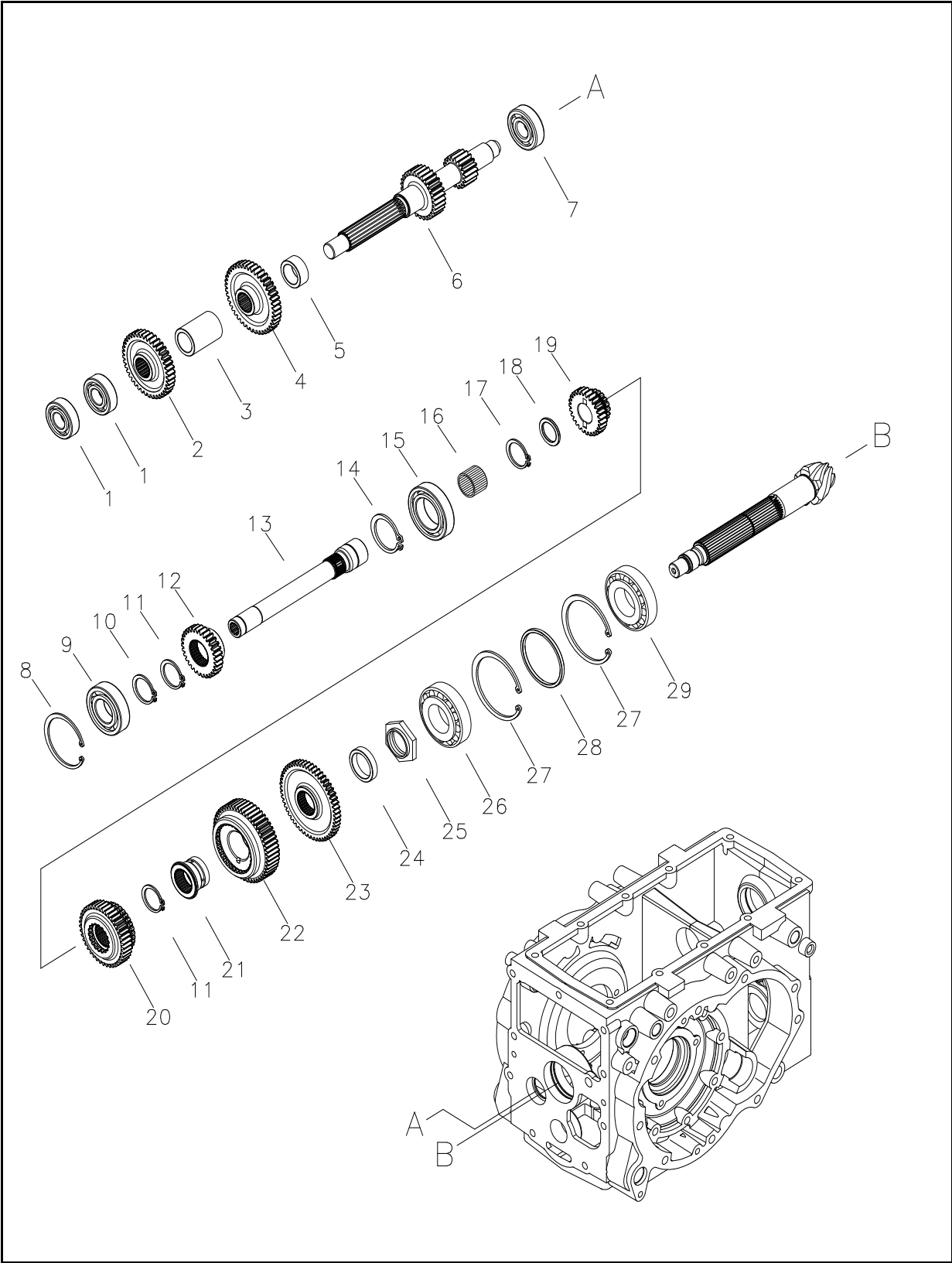
**( MEC )**

| NO. | PART NO.   | PART NAME & DESCRIPTION    | QTY          |   |   | APP.NO | REM. |
|-----|------------|----------------------------|--------------|---|---|--------|------|
|     |            |                            | A            | B | C |        |      |
| 1   | A0862040   | BEARING, BALL              |              |   |   |        |      |
| 2   | A1285303   | GEAR, RANGE DRVN (52T)     | #6204        | 2 | 2 |        |      |
| 3   | A1285296   | SPACER                     |              | 1 | 1 |        |      |
| 4   | A1285307   | SHAFT, RANGE DRV           |              | 1 | 1 |        |      |
| 5   | A0863040   | BEARING, BALL              | #6304        | 1 | 1 |        |      |
| 6   | 3A1970274  | BEARING NEEDLE             |              | 1 | 1 |        |      |
| 7   | A1285305   | GEAR, RANGE DRV            |              | 1 | 1 |        |      |
| 8   | S810032001 | RING, SNAP                 |              | 1 | 1 |        |      |
| 9   | A1281046   | SLEEVE, GEAR               |              | 1 | 1 |        |      |
| 10  | A1285292   | GEAR, RANGE 2ND DRVN (36T) |              | 1 | 1 |        |      |
| 11  | A1288154   | GEAR, 4WD DRV (54T)        |              | 1 | 1 |        |      |
| 12  | A1285309   | SPACER                     |              | 1 | 1 |        |      |
| 13  | A1287079   | NUT, LOCK                  |              | 1 | 1 |        |      |
| 14  | A1326067   | BEARING, TAPER             | #30207J      | 1 | 1 |        |      |
| 15  | S811072001 | RING, SNAP                 |              | 2 | 2 |        |      |
| 16  | A1326068   | SPACER                     | 64.3X72X4.5t | 1 | 1 |        |      |
| 17  | A1326032   | BEARING, TAPER             | #32207C      | 1 | 1 |        |      |
|     |            |                            |              |   |   |        |      |
|     |            |                            |              |   |   |        |      |
|     |            |                            |              |   |   |        |      |
|     |            |                            |              |   |   |        |      |
|     |            |                            |              |   |   |        |      |
|     |            |                            |              |   |   |        |      |
|     |            |                            |              |   |   |        |      |

# RANGE GEAR SHAFT

FIG. 3-6B

G. 285



# RANGE GEAR SHAFT

A-NOT AVAILABLE / B-i28,i36

A-NOT AVAILABLE / B-i28,i36

**FIG. 3-6B**

**( HST )**

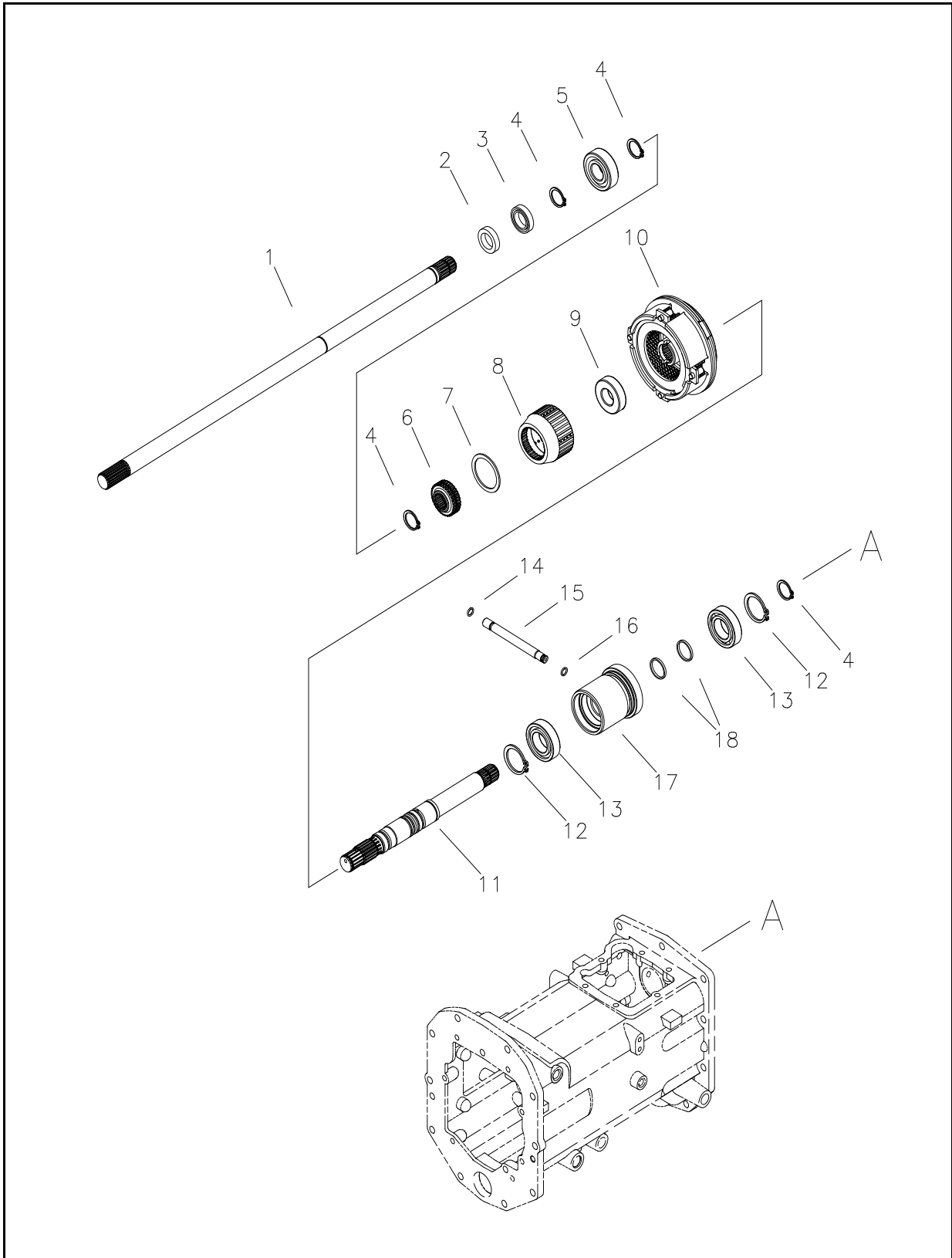
| NO. | PART NO.   | PART NAME & DESCRIPTION    | QTY |   |   | APP.NO | REM. |
|-----|------------|----------------------------|-----|---|---|--------|------|
|     |            |                            | A   | B | C |        |      |
| 1   | A0862040   | BEARING, BALL              |     |   |   |        |      |
| 2   | A1285290   | GEAR, RANGE DRVN. (40T)    |     |   |   |        |      |
| 3   | A1285297   | SPACER                     |     |   |   |        |      |
| 4   | A1285294   | GEAR, RANGE 3RD DRV (43T)  |     |   |   |        |      |
| 5   | A1285296   | SPACER                     |     |   |   |        |      |
| 6   | A1285293   | SHAFT, RANGE DRV (29/18T)  |     |   |   |        |      |
| 7   | A0863040   | BEARING, BALL              |     |   |   |        |      |
| 8   | S811062001 | RING, SNAP                 |     |   |   |        |      |
| 9   | A0862060   | BEARING, BALL              |     |   |   |        |      |
| 10  | S810030001 | RING, SNAP                 |     |   |   |        |      |
| 11  | S810032001 | RING, SNAP                 |     |   |   |        |      |
| 12  | A1285289   | GEAR, RANGE DRV. (30T)     |     |   |   |        |      |
| 13  | A1285288   | SHAFT, RANGE DRIVE         |     |   |   |        |      |
| 14  | S810040001 | RING, SNAP                 |     |   |   |        |      |
| 15  | A0860080   | BEARING, BALL              |     |   |   |        |      |
| 16  | 3A1970274  | BEARING, NEEDLE            |     |   |   |        |      |
| 17  | S810025001 | RING, SNAP                 |     |   |   |        |      |
| 18  | A1281598   | SPACER                     |     |   |   |        |      |
| 19  | A1285295   | GEAR, RANGE 3RD DRVN (27T) |     |   |   |        |      |
| 20  | A1285291   | GEAR, RANGE 2ND DRVN (41T) |     |   |   |        |      |
| 21  | A1281046   | SLEEVE, GEAR               |     |   |   |        |      |
| 22  | A1285292   | GEAR, RANGE 2ND DRVN (36T) |     |   |   |        |      |
| 23  | A1288154   | GEAR, 4WD DRV (54T)        |     |   |   |        |      |
| 24  | A1285309   | SPACER                     |     |   |   |        |      |
| 25  | A1287079   | NUT, LOCK                  |     |   |   |        |      |
| 26  | A1326067   | BEARING, TAPER             |     |   |   |        |      |
| 27  | S811072001 | RING, SNAP                 |     |   |   |        |      |
| 28  | A1326068   | SPACER                     |     |   |   |        |      |
| 29  | A1326032   | BEARING, TAPER             |     |   |   |        |      |
|     |            |                            |     |   |   |        |      |
|     |            |                            |     |   |   |        |      |
|     |            |                            |     |   |   |        |      |



# PTO SHAFT

FIG. 3-7A

G. 283,287



# PTO SHAFT

A-NOT AVAILABLE / B-i28,i36

A-NOT AVAILABLE / B-i28,i36

**FIG. 3-7A**

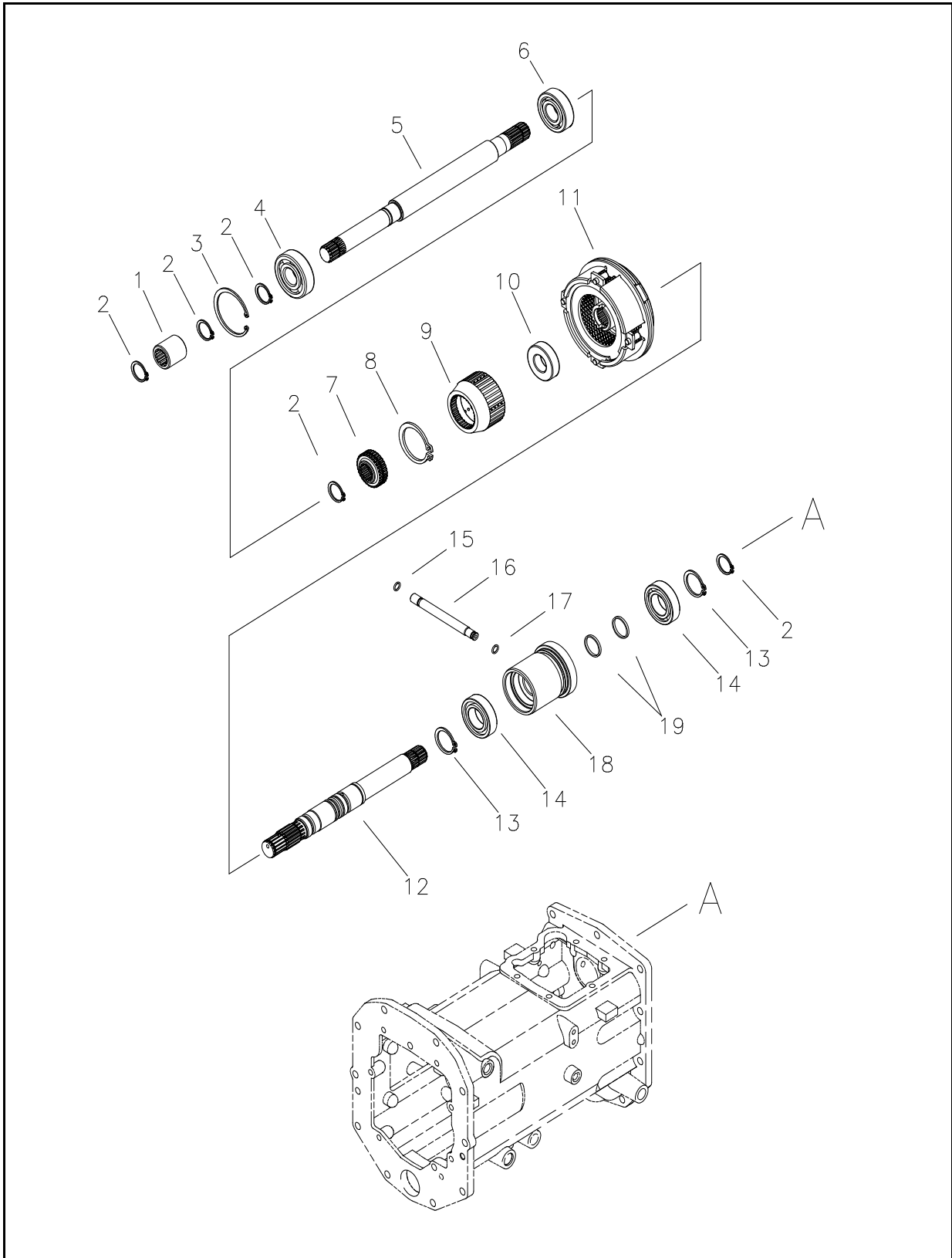
**( MEC )**

| NO. | PART NO.   | PART NAME & DESCRIPTION    | QTY |   |   | APP.NO | REM. |
|-----|------------|----------------------------|-----|---|---|--------|------|
|     |            |                            | A   | B | C |        |      |
| 1   | A1283243   | SHAFT, MAIN PTO            | 1   | 1 |   |        |      |
| 2   | A0651201   | OIL, SEAL                  | 1   | 1 |   |        |      |
| 3   | A0868040   | BEARING, BALL              | 1   | 1 |   |        |      |
| 4   | S810020001 | RING, SNAP                 | 4   | 4 |   |        |      |
| 5   | A0862040   | BEARING, BALL              | 1   | 1 |   |        |      |
| 6   | A1287368   | JOINT, HYD. CLUTCH HUB     | 1   | 1 |   |        |      |
| 7   | S810040001 | RING, SNAP                 | 1   | 1 |   |        |      |
| 8   | A1827369   | HUB, PTO HYD. CLUTCH       | 1   | 1 |   |        |      |
| 9   | A0860040   | BEARING, BALL              | 1   | 1 |   |        |      |
| 10  | A1287283   | CLUTCH ASSY                | 1   | 1 |   |        |      |
| 11  | A1287393   | SHAFT, PTO DRIVE           | 1   | 1 |   |        |      |
| 12  | S810025001 | RING, SNAP                 | 2   | 2 |   |        |      |
| 13  | A0860050   | BEARING, BALL              | 2   | 2 |   |        |      |
| 14  | S804008010 | O-RING                     | 1   | 1 |   |        |      |
| 15  | A1287372   | PIPE, H/CLUTCH INPUT       | 1   | 1 |   |        |      |
| 16  | S804007010 | O-RING                     | 1   | 1 |   |        |      |
| 17  | A1827394   | SLEEVE, HYD CLUTCH CIRCUIT | 1   | 1 |   |        |      |
| 18  | A1281229   | RING, PISTON               | 2   | 2 |   |        |      |
|     |            |                            |     |   |   |        |      |
|     |            |                            |     |   |   |        |      |
|     |            |                            |     |   |   |        |      |
|     |            |                            |     |   |   |        |      |
|     |            |                            |     |   |   |        |      |
|     |            |                            |     |   |   |        |      |
|     |            |                            |     |   |   |        |      |

# PTO SHAFT

FIG. 3-7B

G. 283,287



# PTO SHAFT

A-NOT AVAILABLE / B-i28,i36

A-NOT AVAILABLE / B-i28,i36

**FIG. 3-7B**

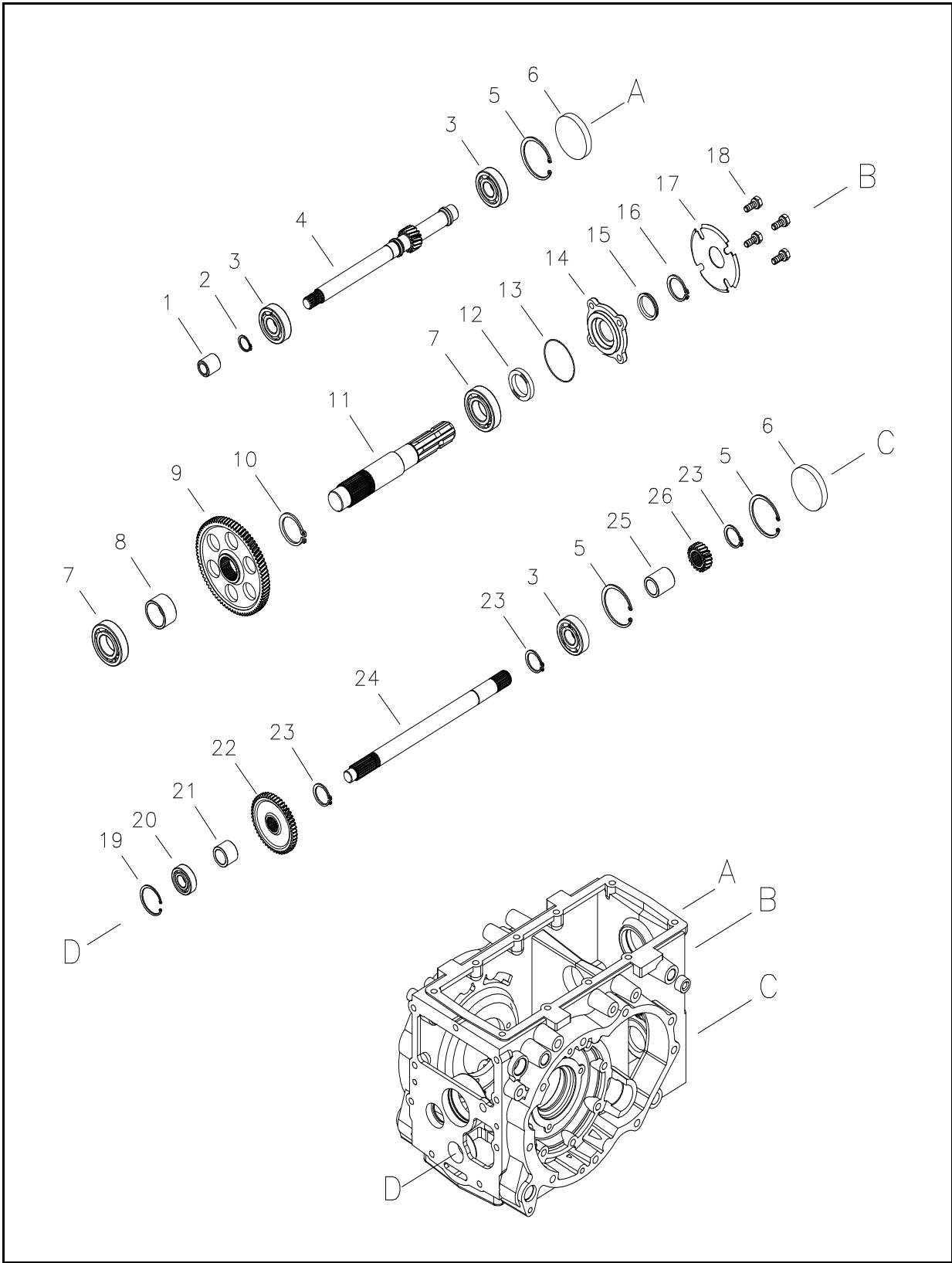
**( HST )**

| NO. | PART NO.   | PART NAME & DESCRIPTION    | QTY   |   |   | APP.NO | REM. |
|-----|------------|----------------------------|-------|---|---|--------|------|
|     |            |                            | A     | B | C |        |      |
| 1   | A1283242   | JOINT                      | 1     | 1 |   |        |      |
| 2   | S810020001 | RING, SNAP                 | 5     | 5 |   |        |      |
| 3   | S811052001 | RING, SNAP                 | 1     | 1 |   |        |      |
| 4   | A0863040   | BEARING, BALL              | #6304 | 1 | 1 |        |      |
| 5   | A1283240   | SHAFT, MAIN PTO            | 1     | 1 |   |        |      |
| 6   | A0862040   | BEARING, BALL              | #6204 | 1 | 1 |        |      |
| 7   | A1287368   | JOINT, HYD. CLUTCH HUB     | 1     | 1 |   |        |      |
| 8   | S810040001 | RING, SNAP                 | 1     | 1 |   |        |      |
| 9   | A1827369   | HUB, PTO HYD. CLUTCH       | 1     | 1 |   |        |      |
| 10  | A0860040   | BEARING, BALL              | #6004 | 1 | 1 |        |      |
| 11  | A1287283   | CLUTCH ASSY                | 1     | 1 |   |        |      |
| 12  | A1287393   | SHAFT, PTO DRIVE           | 1     | 1 |   |        |      |
| 13  | S810025001 | RING, SNAP                 | 2     | 2 |   |        |      |
| 14  | A0860050   | BEARING, BALL              | #6005 | 2 | 2 |        |      |
| 15  | S804008010 | O-RING                     | 1     | 1 |   |        |      |
| 16  | A1287372   | PIPE, H/CLUTCH INPUT       | 1     | 1 |   |        |      |
| 17  | S804007010 | O-RING                     | 1     | 1 |   |        |      |
| 18  | A1827394   | SLEEVE, HYD CLUTCH CIRCUIT | 1     | 1 |   |        |      |
| 19  | A1281229   | RING, PISTON               | 2     | 2 |   |        |      |
|     |            |                            |       |   |   |        |      |
|     |            |                            |       |   |   |        |      |
|     |            |                            |       |   |   |        |      |
|     |            |                            |       |   |   |        |      |
|     |            |                            |       |   |   |        |      |
|     |            |                            |       |   |   |        |      |

# PTO DRIVE SHAFT

FIG. 3-8B

G. 287



# PTO DRIVE SHAFT

A-NOT AVAILABLE / B-i28,i36

A-NOT AVAILABLE / B-i28,i36

**FIG. 3-8B**

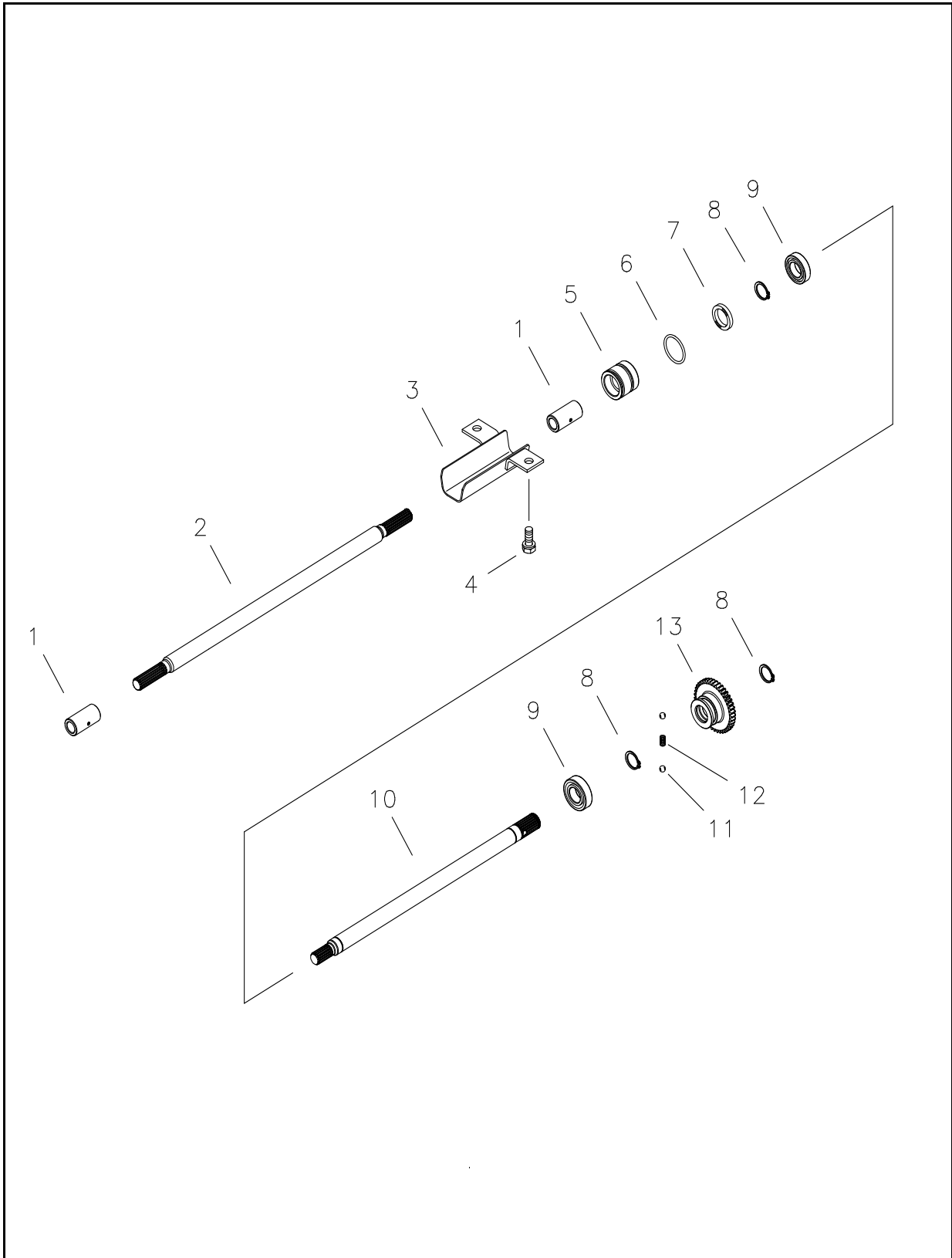
**( PTO/1, M/PTO )**

| NO. | PART NO.   | PART NAME & DESCRIPTION    | QTY |   |   | APP.NO | REM. |
|-----|------------|----------------------------|-----|---|---|--------|------|
|     |            |                            | A   | B | C |        |      |
| 1   | A1283228   | JOINT                      | 1   | 1 |   |        |      |
| 2   | S810020001 | RING, SNAP                 | 1   | 1 |   |        |      |
| 3   | A0863050HL | BEARING, BALL              | 3   | 3 |   |        |      |
| 4   | A1287364   | SHAFT, PTO DRV W/GEAR(17R) | 1   | 1 |   |        |      |
| 5   | S811062001 | RING, SNAP                 | 3   | 3 |   |        |      |
| 6   | A1283016   | CAP, RUBBER                | 2   | 2 |   |        |      |
| 7   | A0862070   | BEARING, BALL              | 2   | 2 |   |        |      |
| 8   | A1287310   | SPACER                     | 1   | 1 |   |        |      |
| 9   | A1287304   | GEAR, PTO DRVN (79L)       | 1   | 1 |   |        |      |
| 10  | S810040001 | RING, SNAP                 | 1   | 1 |   |        |      |
| 11  | A1287373   | SHAFT, PTO                 | 1   | 1 |   |        |      |
| 12  | A0651353   | OIL SEAL                   | 1   | 1 |   |        |      |
| 13  | S804070010 | O-RING                     | 1   | 1 |   |        |      |
| 14  | A1280231   | COVER, PTO SHAFT           | 1   | 1 |   |        |      |
| 15  | A0653232   | SEAL, DUST                 | 1   | 1 |   |        |      |
| 16  | S810035001 | RING, SNAP                 | 1   | 1 |   |        |      |
| 17  | A1280184   | GUIDE, PTO COVER           | 1   | 1 |   |        |      |
| 18  | S154102533 | BOLT, HEX. W/WASHER        | 4   | 4 |   |        |      |
| 19  | S811047001 | RING, SNAP                 | 1   | 1 |   |        |      |
| 20  | A0862040   | BEARING, BALL              | 1   | 1 |   |        |      |
| 21  | A1288065   | SPACER                     | 1   | 1 |   |        |      |
| 22  | A1287366   | GEAR, M/PTO DRV. (49T)     | 1   | 1 |   |        |      |
| 23  | S811025001 | RING, SNAP                 | 3   | 3 |   |        |      |
| 24  | A1287365   | SHAFT, M/PTO DRV           | 1   | 1 |   |        |      |
| 25  | A1287311   | SPACER                     | 1   | 1 |   |        |      |
| 26  | A1287305   | GEAR, MID PTO COUNTER      | 1   | 1 |   |        |      |
|     |            |                            |     |   |   |        |      |
|     |            |                            |     |   |   |        |      |
|     |            |                            |     |   |   |        |      |

# FRONT WHEEL DRIVE SHAFT

FIG. 3-9B

G. 288,380



# FRONT WHEEL DRIVE SHAFT

A-NOT AVAILABLE / B-i28,i36

A-NOT AVAILABLE / B-i28,i36

**FIG. 3-9B EX**

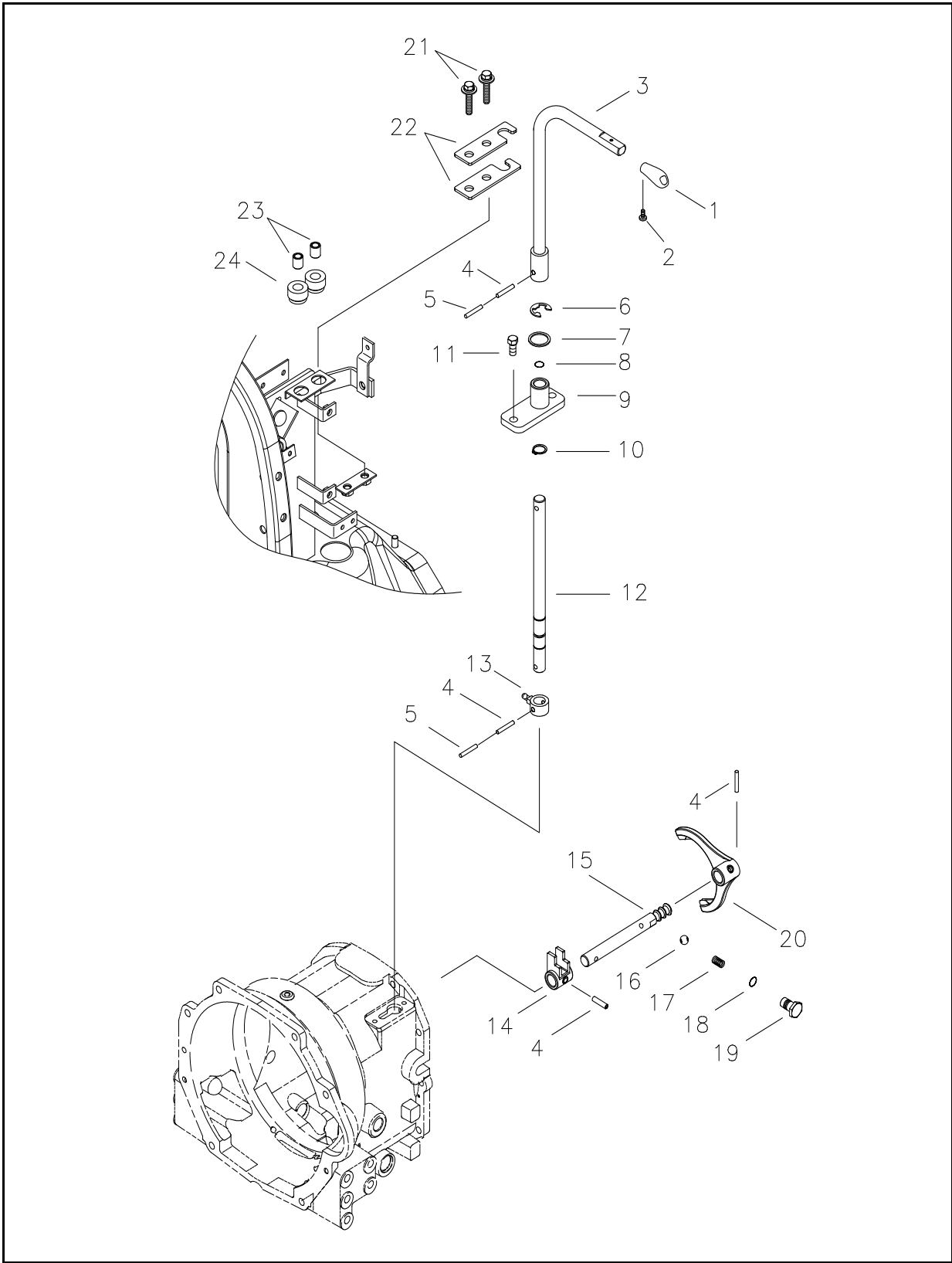
| NO. | PART NO.   | PART NAME & DESCRIPTION | QTY |   |   | APP.NO | REM. |
|-----|------------|-------------------------|-----|---|---|--------|------|
|     |            |                         | A   | B | C |        |      |
| 1   | A1380021   | 4WD JOINT               | 2   | 2 |   |        |      |
| 2   | A1380033   | SHAFT, 4WD FRONT        | 1   | 1 |   |        |      |
| 3   | A1380036   | COVER, 4WD SHAFT        | 1   | 1 |   |        |      |
| 4   | S153123033 | BOLT, HEX W/WASHER      | 2   | 2 |   |        |      |
| 5   | A1288161   | HOUSING, SEAL           | 1   | 1 |   |        |      |
| 6   | S801041010 | O-RING                  | 1   | 1 |   |        |      |
| 7   | A0651253   | SEAL, OIL               | 1   | 1 |   |        |      |
| 8   | S810025001 | RING, SNAP              | 3   | 3 |   |        |      |
| 9   | A0862050   | BEARING, BALL           | 2   | 2 |   |        |      |
| 10  | A1288156   | SHAFT, 4WD DRIVE        | 1   | 1 |   |        |      |
| 11  | A20063390  | BALL, SHIFTER FORK      | 2   | 2 |   |        |      |
| 12  | A1287356   | SPRING                  | 1   | 1 |   |        |      |
| 13  | A1288155   | GEAR, 4WD DRVN (41T)    | 1   | 1 |   |        |      |
|     |            |                         |     |   |   |        |      |
|     |            |                         |     |   |   |        |      |
|     |            |                         |     |   |   |        |      |
|     |            |                         |     |   |   |        |      |
|     |            |                         |     |   |   |        |      |
|     |            |                         |     |   |   |        |      |
|     |            |                         |     |   |   |        |      |
|     |            |                         |     |   |   |        |      |
|     |            |                         |     |   |   |        |      |



# SHIFT LEVER & FORK

FIG. 3-10A

G. 290



# SHIFT LEVER & FORK

A-NOT AVAILABLE / B-i28,i36

A-NOT AVAILABLE / B-i28,i36

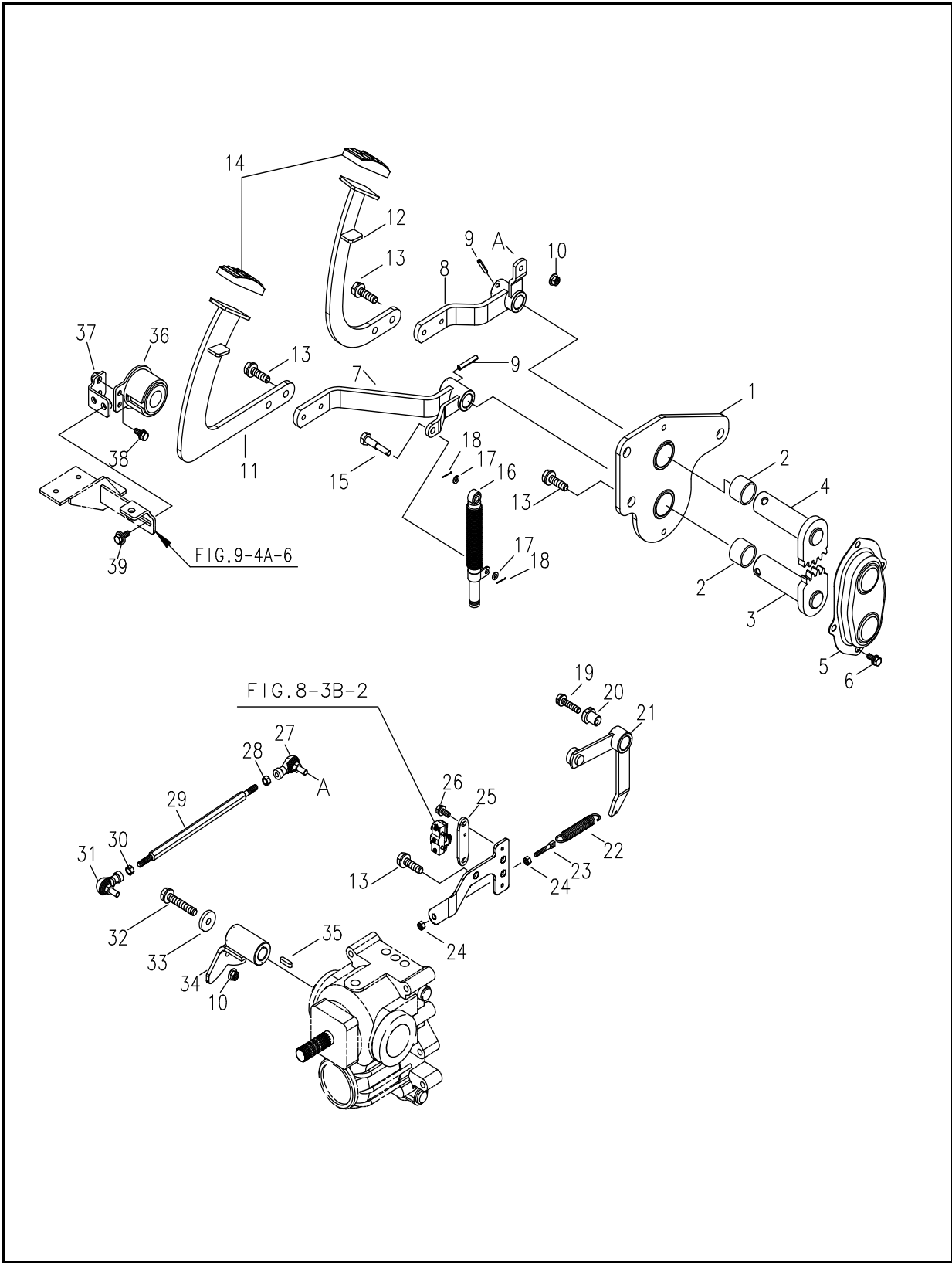
**FIG. 3-10A**

**( MEC )**

| NO. | PART NO.   | PART NAME & DESCRIPTION | QTY |   |   | APP.NO | REM. |
|-----|------------|-------------------------|-----|---|---|--------|------|
|     |            |                         | A   | B | C |        |      |
| 1   | A1970394   | KNOB, F-R               | 1   | 1 |   |        |      |
| 2   | S226501011 | SCREW, W/SPR. W/WASHER  | 1   | 1 |   |        |      |
| 3   | A1292246   | HAND LEVER, CHANGE      | 1   | 1 |   |        |      |
| 4   | S446062510 | PIN, SPR.               | 3   | 3 |   |        |      |
| 5   | A0621025   | PIN, SPR.               | 1   | 1 |   |        |      |
| 6   | S814015001 | RING, SNAP              | 1   | 1 |   |        |      |
| 7   | S364160013 | WASHER, PLN             | 1   | 1 |   |        |      |
| 8   | S801012010 | O-RING                  | 1   | 1 |   |        |      |
| 9   | A1292208   | PLATE, F-R              | 1   | 1 |   |        |      |
| 10  | S810016001 | RING, SNAP              | 1   | 1 |   |        |      |
| 11  | S153082533 | BOLT, HEX               | 2   | 2 |   |        |      |
| 12  | A1290168   | LEVER, F-R              | 1   | 1 |   |        |      |
| 13  | A1290100   | ARM, MAIN               | 1   | 1 |   |        |      |
| 14  | A1290133   | ADAPTER, MAIN SHIFT     | 1   | 1 |   |        |      |
| 15  | A1290173   | RAIL, F-R               | 1   | 1 |   |        |      |
| 16  | A20063390  | BALL, SHIFTER FORK      | 1   | 1 |   |        |      |
| 17  | 3A1290011  | SPRING                  | 1   | 1 |   |        |      |
| 18  | S801010A10 | O-RING                  | 2   | 2 |   |        |      |
| 19  | A1291145   | BOLT, RAIL              | 2   | 2 |   |        |      |
| 20  | A1290085   | FORK, MAIN (3-4)        | 1   | 1 |   |        |      |
| 21  | S159084013 | BOLT, HEX. W/WASHER     | 2   | 2 |   |        |      |
| 22  | A1292224   | GUIDE, F-R LEVER        | 2   | 2 |   |        |      |
| 23  | A1830575   | SPACER                  | 2   | 2 |   |        |      |
| 24  | A1830574   | MOUNT, RUBBER           | 2   | 2 |   |        |      |
|     |            |                         |     |   |   |        |      |
|     |            |                         |     |   |   |        |      |
|     |            |                         |     |   |   |        |      |
|     |            |                         |     |   |   |        |      |

# HST CONTROL

FIG. 3-10B



# HST CONTROL

A-NOT AVAILABLE / B-i28,i36

A-NOT AVAILABLE / B-i28,i36

**FIG. 3-10B**

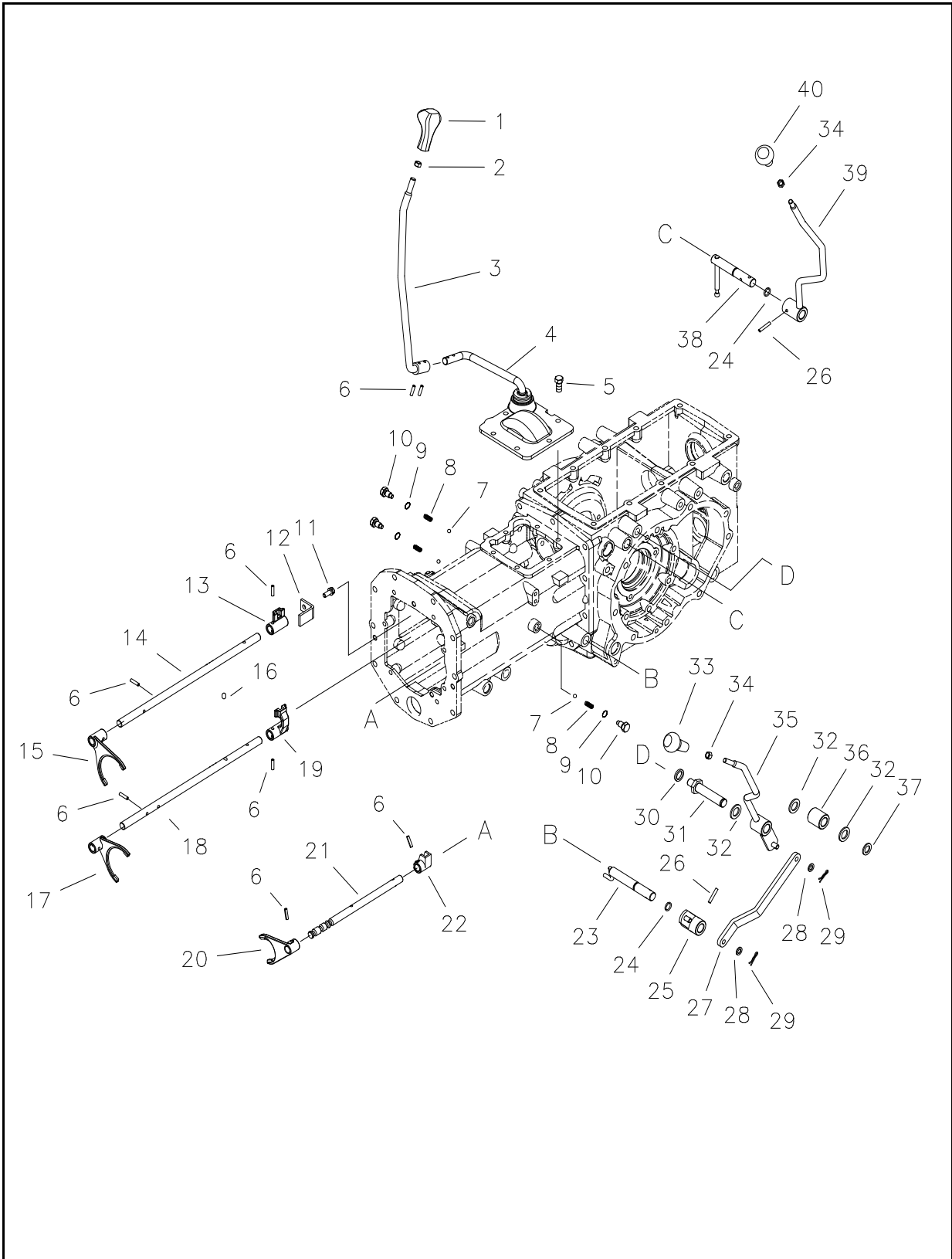
**( HST )**

| NO.   | PART NO.   | PART NAME & DESCRIPTION | QTY |   |   | APP.NO | REM. |
|-------|------------|-------------------------|-----|---|---|--------|------|
|       |            |                         | A   | B | C |        |      |
| 1-9   | A1292277   | HST CONTROLLER ASSY     | 1   | 1 |   |        |      |
| 1     | A1292253   | PLATE, BASE             | 1   | 1 |   |        |      |
| 2     | A0677625   | BUSHING                 | 2   | 2 |   |        |      |
| 3     | A1292202   | SHAFT A                 | 1   | 1 |   |        |      |
| 4     | A1292203   | SHAFT B                 | 1   | 1 |   |        |      |
| 5     | A1292204   | COVER, DUST             | 1   | 1 |   |        |      |
| 6     | S153061233 | BOLT, HEX               | 2   | 2 |   |        |      |
| 7     | A1292278   | ARM A, PEDAL            | 1   | 1 |   |        |      |
| 8     | A1292279   | ARM B, PEDAL            | 1   | 1 |   |        |      |
| 9     | S446063612 | PIN, SPRING             | 2   | 2 |   |        |      |
| 10    | A1877079   | NUT, LOCK               | 2   | 2 |   |        |      |
| 11    | A1292234   | PEDAL, FORWARD          | 1   | 1 |   |        |      |
| 12    | A1292235   | PEDAL, REWARD           | 1   | 1 |   |        |      |
| 13    | S154102533 | BOLT, HEX               | 8   | 8 |   |        |      |
| 14    | A1291214   | PAD, PEDAL              | 2   | 2 |   |        |      |
| 15    | A0621027   | PIN                     | 1   | 1 |   |        |      |
| 16    | A1291238   | DAMPER                  | 1   | 1 |   |        |      |
| 17    | S363080013 | WASHER                  | 2   | 2 |   |        |      |
| 18    | S441202013 | PIN, SPLIT              | 2   | 2 |   |        |      |
| 19    | S154105533 | BOLT, HEX               | 1   | 1 |   |        |      |
| 20    | A1292192   | SHAFT, CONTROL ARM      | 1   | 1 |   |        |      |
| 21    | A1292206   | NEUTRAL ARM SUB ASSY    | 1   | 1 |   |        |      |
| 22    | A0691101   | SPRING                  | 1   | 1 |   |        |      |
| 23    | A1260113   | BOLT, ADJUSTER          | 1   | 1 |   |        |      |
| 24    | S313080013 | NUT, HEX                | 2   | 2 |   |        |      |
| 25    | A1292193   | PLATE                   | 1   | 1 |   |        |      |
| 26    | S153061633 | BOLT, HEX               | 2   | 2 |   |        |      |
| 27-31 | A1292274   | ROD ASSY                | 1   | 1 |   |        |      |
| 27    | A0731033R  | END, ROD                | 1   | 1 |   |        |      |
| 28    | S313080013 | NUT, HEX                | 1   | 1 |   |        |      |
| 29    | A1292275   | ROD, HST CONTROL        | 1   | 1 |   |        |      |
| 30    | A0610059   | NUT, HEX                | 1   | 1 |   |        |      |
| 31    | A0731033L  | END, ROD                | 1   | 1 |   |        |      |
| 32    | S154107033 | BOLT, HEX               | 1   | 1 |   |        |      |
| 33    | A0661122   | WASHER                  | 1   | 1 |   |        |      |
| 34    | A1292280   | CAM, HST                | 1   | 1 |   |        |      |
| 35    | S405051610 | KEY                     | 1   | 1 |   |        |      |
| 36    | A1750280   | MAGNET                  | 1   | 1 |   |        |      |
| 37    | A1292259   | BRACKET, MAGNET         | 1   | 1 |   |        |      |
| 38    | S153083033 | BOLT, HEX               | 2   | 2 |   |        |      |
| 39    | S159082533 | BOLT, HEX               | 2   | 2 |   |        |      |

# SHIFT LEVER & FORK

FIG. 3-11A

G. 290,293



# SHIFT LEVER & FORK

A-NOT AVAILABLE / B-i28,i36

A-NOT AVAILABLE / B-i28,i36

**FIG. 3-11A**

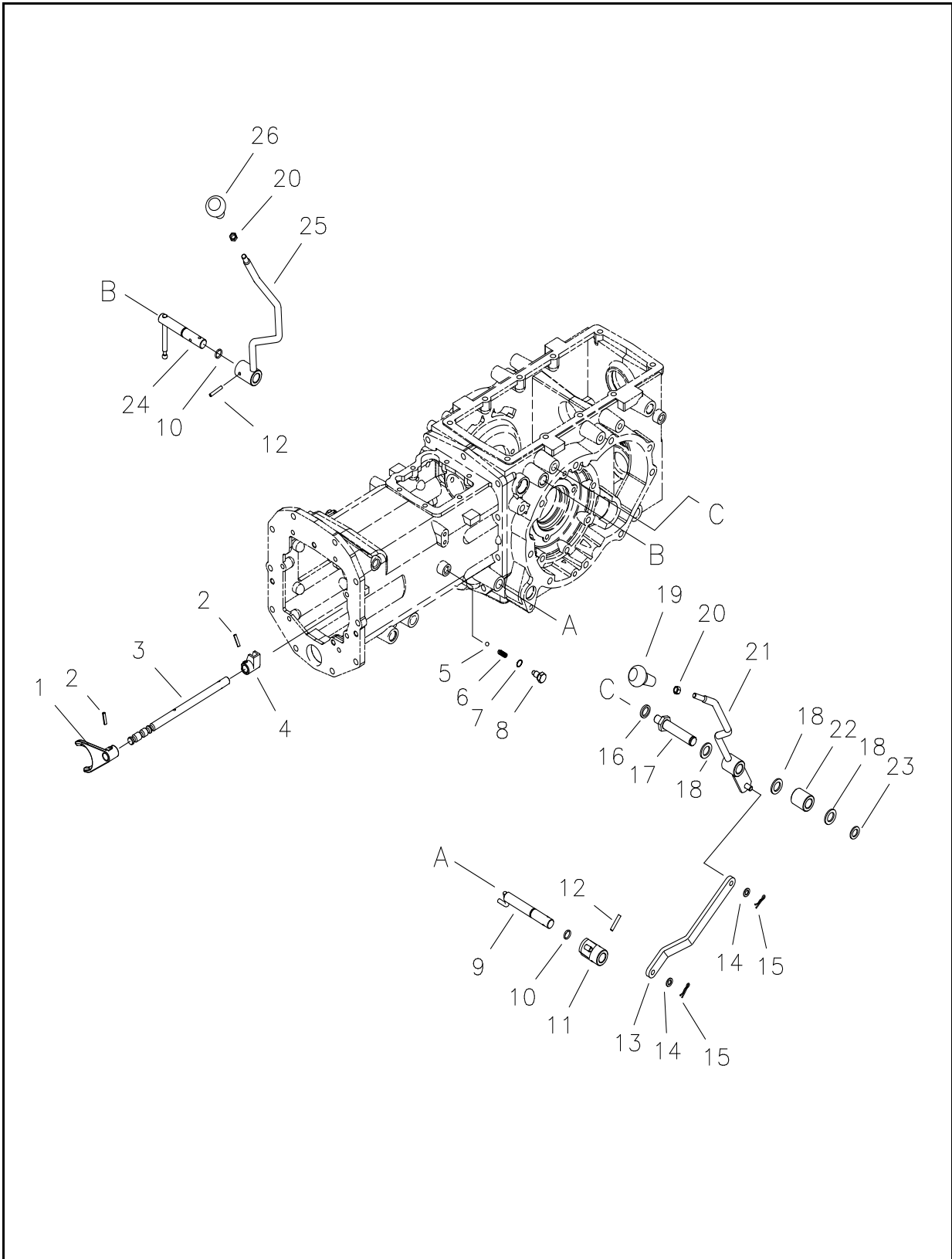
**( MEC )**

| NO. | PART NO.   | PART NAME & DESCRIPTION | QTY |   |   | APP.NO | REM. |
|-----|------------|-------------------------|-----|---|---|--------|------|
|     |            |                         | A   | B | C |        |      |
| 1   | A1970334   | GRIP, MAIN CHANGE       | 1   | 1 |   |        |      |
| 2   | S301120043 | NUT, HEX. 1-TY          | 1   | 1 |   |        |      |
| 3   | A1292247   | HAND LEVER, MAIN        | 1   | 1 |   |        |      |
| 4   | A1292263   | LEVER ASSY, MAIN        | 1   | 1 |   |        |      |
| 5   | S154103033 | BOLT,HEX,W/WASHER       | 5   | 5 |   |        |      |
| 6   | S446062510 | PIN, SPRING             | 8   | 8 |   |        |      |
| 7   | A20063390  | BALL                    | 3   | 3 |   |        |      |
| 8   | 3A1290011  | SPRING                  | 3   | 3 |   |        |      |
| 9   | S801010A10 | O-RING                  | 3   | 3 |   |        |      |
| 10  | A1291145   | BOLT, RAIL              | 3   | 3 |   |        |      |
| 11  | S153082033 | BOLT, HEX. W/WASHER     | 1   | 1 |   |        |      |
| 12  | A1290182   | HOLDER, ADAPTER         | 1   | 1 |   |        |      |
| 13  | A1290174   | ADAPTER, MAIN SHIFT     | 1   | 1 |   |        |      |
| 14  | A1290170   | RAIL, MAIN CHANGE (1-2) | 1   | 1 |   |        |      |
| 15  | A1290171   | FORK, MAIN SHIFT (1-2)  | 1   | 1 |   |        |      |
| 16  | A1290091   | PIN                     | 1   | 1 |   |        |      |
| 17  | A1290172   | FORK, MAIN SHIFT        | 1   | 1 |   |        |      |
| 18  | A1290169   | RAIL, MAIN CHANGE       | 1   | 1 |   |        |      |
| 19  | A1290175   | ADAPTER, MAIN           | 1   | 1 |   |        |      |
| 20  | A1291229   | FORK, RANGE H           | 1   | 1 |   |        |      |
| 21  | A1291315   | RAIL, RANGE             | 1   | 1 |   |        |      |
| 22  | A1291149   | ADAPTER, SUB CHANGE     | 1   | 1 |   |        |      |
| 23  | A1291297   | LEVER, 4WD              | 1   | 1 |   |        |      |
| 24  | S801016010 | O-RING                  | 2   | 2 |   |        |      |
| 25  | A1293178   | ARM, PTO                | 1   | 1 |   |        |      |
| 26  | S446063512 | RING, SNAP              | 2   | 2 |   |        |      |
| 27  | A1293193   | LINK                    | 1   | 1 |   |        |      |
| 28  | S363100013 | WASHER, PLN S-RD        | 2   | 2 |   |        |      |
| 29  | S443100013 | PIN, SNAP               | 2   | 2 |   |        |      |
| 30  | S361160013 | WASHER, SPR. 1-TY       | 1   | 1 |   |        |      |
| 31  | A1293183   | SHAFT, HAND LEVER       | 1   | 1 |   |        |      |
| 32  | S363200013 | WASHER, PLN S-RD        | 3   | 3 |   |        |      |
| 33  | A1970375   | KNOB, 4WD               | 1   | 1 |   |        |      |
| 34  | S314100013 | NUT, HEX. 1-TY          | 1   | 1 |   |        |      |
| 35  | A1293192   | HAND LEVER, 4WD         | 1   | 1 |   |        |      |
| 36  | A1293188   | SPACER                  | 1   | 1 |   |        | EX   |
| 37  | S810020001 | RING, SNAP              | 1   | 1 |   |        |      |
| 38  | A1291164   | LEVER, SUB CHANGE       | 1   | 1 |   |        |      |
| 39  | A1293191   | HAND LEVER, RANGE       | 1   | 1 |   |        |      |
| 40  | A1970405   | KNOB, RANGE             | 1   | 1 |   |        |      |
|     |            |                         |     |   |   |        |      |

# SHIFT LEVER & FORK

FIG. 3-11B

G. 290,293



# SHIFT LEVER & FORK

A-NOT AVAILABLE / B-i28,i36

A-NOT AVAILABLE / B-i28,i36

**FIG. 3-11B**

**( HST )**

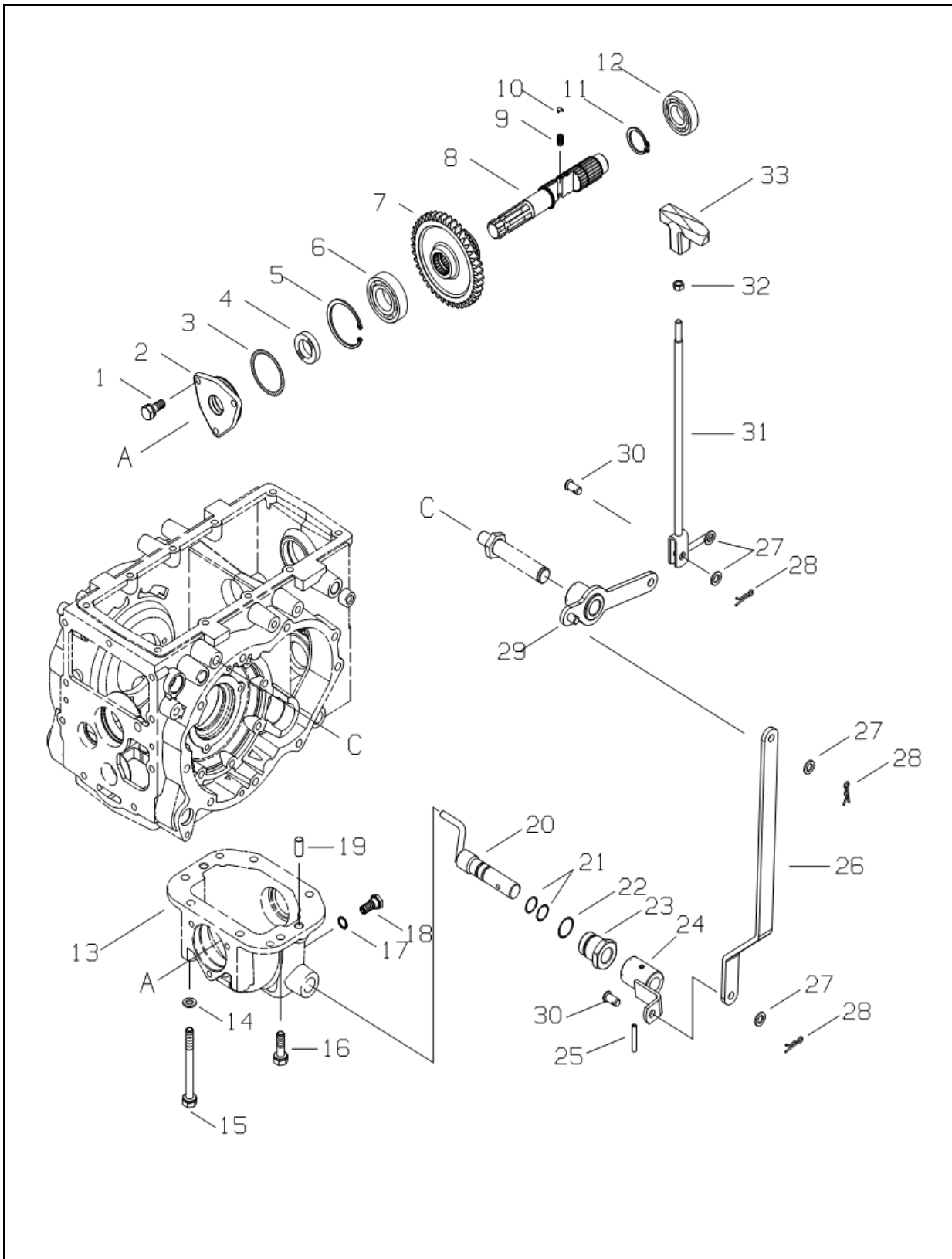
| NO. | PART NO.   | PART NAME & DESCRIPTION | QTY |   |   | APP.NO | REM. |
|-----|------------|-------------------------|-----|---|---|--------|------|
|     |            |                         | A   | B | C |        |      |
| 1   | A1291229   | FORK, RANGE H           | 1   | 1 |   |        |      |
| 2   | S446062510 | PIN, SPRING             | 8   | 8 |   |        |      |
| 3   | A1291298   | RAIL, RANGE             | 1   | 1 |   |        |      |
| 4   | A1291149   | ADAPTER, SUB CHANGE     | 1   | 1 |   |        |      |
| 5   | A20063390  | BALL                    | 1   | 1 |   |        |      |
| 6   | 3A1290011  | SPRING                  | 1   | 1 |   |        |      |
| 7   | S801010A10 | O-RING                  | 1   | 1 |   |        |      |
| 8   | A1291145   | BOLT, RAIL              | 1   | 1 |   |        |      |
| 9   | A1291297   | LEVER, 4WD              | 1   | 1 |   |        |      |
| 10  | S801016010 | O-RING                  | 2   | 2 |   |        |      |
| 11  | A1293178   | ARM, PTO                | 1   | 1 |   |        |      |
| 12  | S446063512 | RING, SNAP              | 2   | 2 |   |        |      |
| 13  | A1293193   | LINK                    | 1   | 1 |   |        |      |
| 14  | S363100013 | WASHER, PLN S-RD        | 2   | 2 |   |        |      |
| 15  | S443100013 | PIN, SNAP               | 2   | 2 |   |        |      |
| 16  | S361160013 | WASHER, SPR. 1-TY       | 1   | 1 |   |        |      |
| 17  | A1293183   | SHAFT, HAND LEVER       | 1   | 1 |   |        |      |
| 18  | S363200013 | WASHER, PLN S-RD        | 3   | 3 |   |        |      |
| 19  | A1970375   | KNOB, 4WD               | 1   | 1 |   |        |      |
| 20  | S314100013 | NUT, HEX. 1-TY          | 2   | 2 |   |        |      |
| 21  | A1293192   | HAND LEVER, 4WD         | 1   | 1 |   |        |      |
| 22  | A1293188   | SPACER                  | 1   | 1 |   |        |      |
| 23  | S810020001 | RING, SNAP              | 1   | 1 |   |        |      |
| 24  | A1291164   | LEVER, SUB CHANGE       | 1   | 1 |   |        |      |
| 25  | A1293191   | HAND LEVER, RANGE       | 1   | 1 |   |        |      |
| 26  | A1970403   | KNOB, RANGE             | 1   | 1 |   |        |      |
|     |            |                         |     |   |   |        |      |
|     |            |                         |     |   |   |        |      |
|     |            |                         |     |   |   |        |      |



# MID PTO SHAFT & LEVER

FIG. 3-12

G. 287,293



# MID PTO SHAFT & LEVER

A-NOT AVAILABLE / B-i28,i36

A-NOT AVAILABLE / B-i28,i36

**FIG. 3-12**

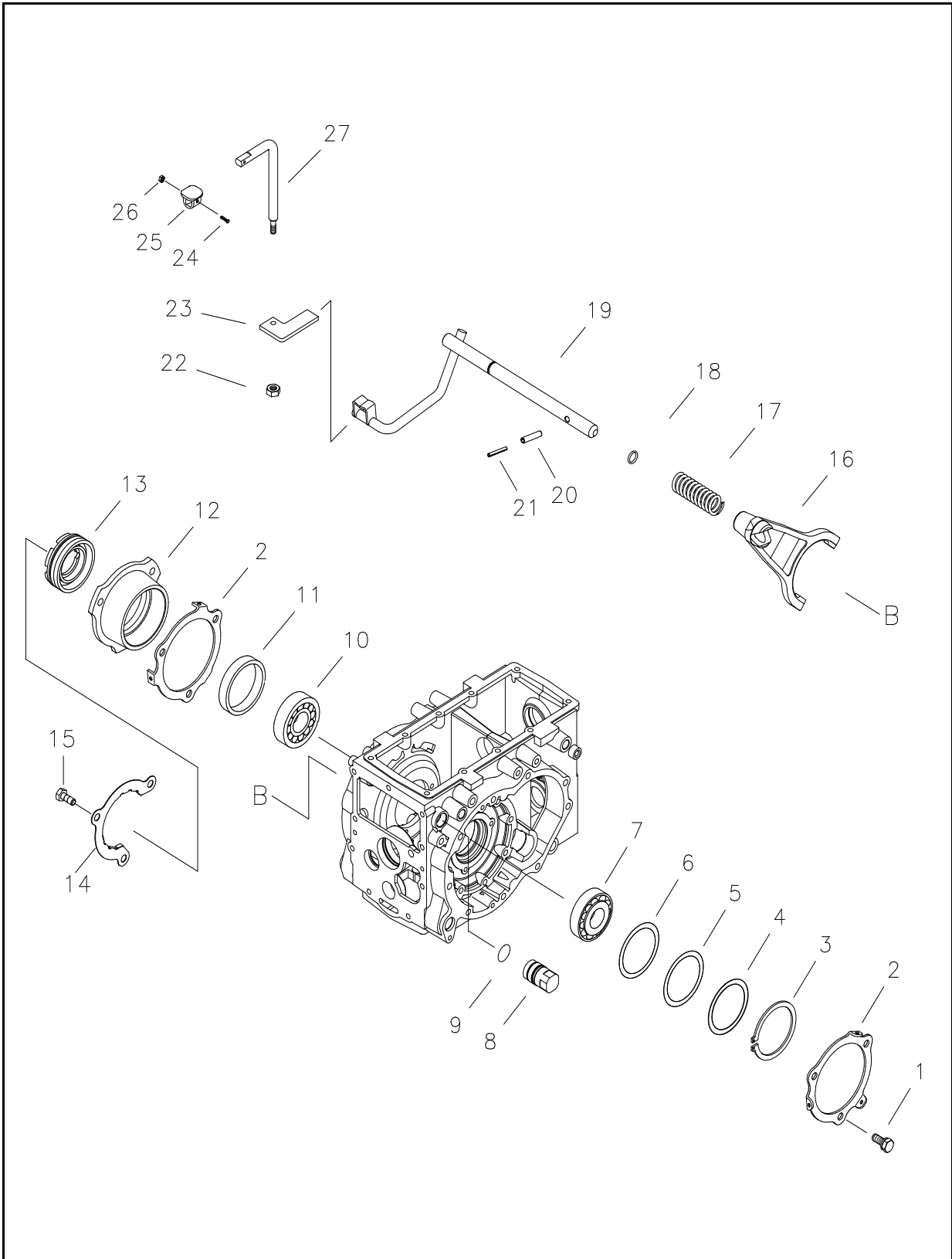
**( M/PTO )**

| NO. | PART NO.   | PART NAME & DESCRIPTION |                     | QTY |   |   | APP.NO | REM. |
|-----|------------|-------------------------|---------------------|-----|---|---|--------|------|
|     |            |                         |                     | A   | B | C |        |      |
| 1   | S153082033 | BOLT, HEX, W/WASHER     | M8x1.25x20          |     | 3 |   |        |      |
| 2   | A1280199   | COVER, M/PTO SHAFT      |                     |     | 1 |   |        |      |
| 3   | S801052010 | O-RING                  |                     |     | 1 |   |        |      |
| 4   | A0651253   | SEAL, OIL               |                     |     | 1 |   |        |      |
| 5   | S811062001 | RING, SNAP              | D62x2.0t            |     | 1 |   |        |      |
| 6   | A0863050   | BEARING, BALL           | #6305(OD62xID25x17) |     | 1 |   |        |      |
| 7   | A1287367   | GEAR, M/PTO DRVN (53T)  |                     |     | 1 |   |        |      |
| 8   | A1287345   | SHAFT, M/PTO DRIVEN     |                     |     | 1 |   |        |      |
| 9   | 3A1290011  | SPRING                  |                     |     | 1 |   |        |      |
| 10  | A20063390  | BALL, SHIFT FORK        |                     |     | 1 |   |        |      |
| 11  | S810030001 | RING, SNAP              |                     |     | 1 |   |        |      |
| 12  | A0862050   | BEARING, BALL           | #6205               |     | 1 |   |        |      |
| 13  | A1280200   | CASE, M/PTO             |                     |     | 1 |   |        |      |
| 14  | S361100013 | WASHER, SPR. 1-TY.      |                     |     | 2 |   |        |      |
| 15  | S104101043 | BOLT, HEX.              |                     |     | 2 |   |        |      |
| 16  | S154103033 | BOLT, HEX. W/WASHER     |                     |     | 4 |   |        |      |
| 17  | A10263360  | SEAL                    |                     |     | 1 |   |        |      |
| 18  | 3A1250013  | PLUG, MAGNET            |                     |     | 1 |   |        |      |
| 19  | S423102010 | PIN, PAR. A-TY. (h7)    |                     |     | 2 |   |        |      |
| 20  | A1291291   | LEVER, MID PTO          |                     |     | 1 |   |        |      |
| 21  | S801012010 | O-RING                  |                     |     | 2 |   |        |      |
| 22  | S804028010 | O-RING                  |                     |     | 1 |   |        |      |
| 23  | A1291296   | ADAPTER, LEVER          |                     |     | 1 |   |        |      |
| 24  | A1291292   | ARM, MID PTO            |                     |     | 1 |   |        |      |
| 25  | S446063512 | PIN, SPR. W-TY          |                     |     | 1 |   |        |      |
| 26  | A1293195   | ROD, MID PTO            |                     |     | 1 |   |        |      |
| 27  | S363100013 | WASHER, PLN S-RD        |                     |     | 4 |   |        |      |
| 28  | S443100013 | PIN, SNAP A-TY          |                     |     | 3 |   |        |      |
| 29  | A1293194   | ARM, MID PTO            |                     |     | 1 |   |        |      |
| 30  | S427102013 | PIN, HEAD B-TY.         |                     |     | 1 |   |        |      |
| 31  | A1293175   | HAND LEVER, 4WD         |                     |     | 1 |   |        |      |
| 32  | S313080013 | NUT, HEX.               |                     |     | 1 |   |        |      |
| 33  | A1970397   | KNOB, CREEPER           |                     |     | 1 |   |        |      |
|     |            |                         |                     |     |   |   |        |      |
|     |            |                         |                     |     |   |   |        |      |

# DIFF - LOCK

FIG. 4-1A

G. 320



# DIFF - LOCK

A-NOT AVAILABLE / B-i28,i36

A-NOT AVAILABLE / B-i28,i36

**FIG. 4-1A**

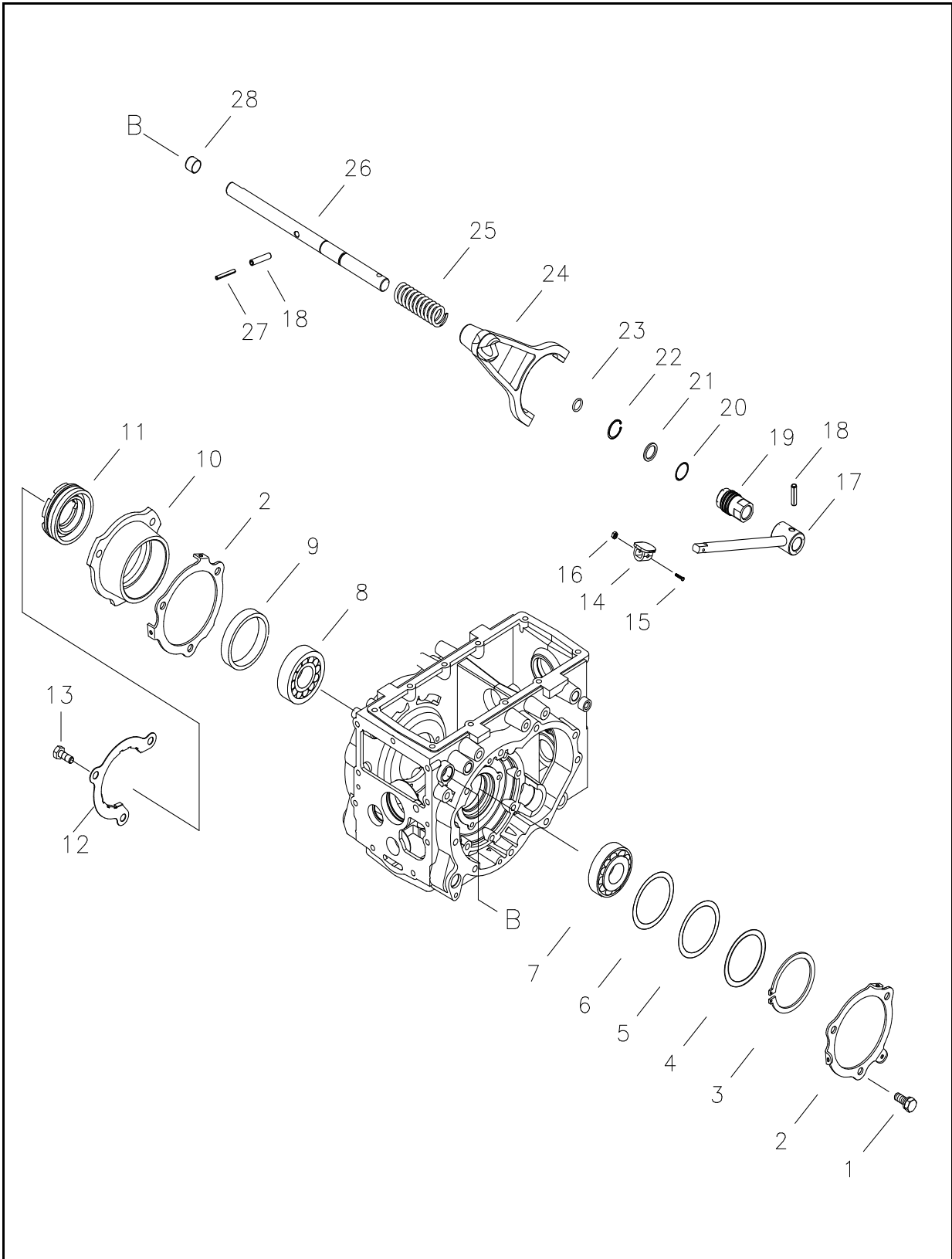
**( MEC )**

| NO. | PART NO.   | PART NAME & DESCRIPTION | QTY |    |   | APP.NO | REM.         |
|-----|------------|-------------------------|-----|----|---|--------|--------------|
|     |            |                         | A   | B  | C |        |              |
| 1   | S154102533 | BOLT, HEX.              | 3   | 3  |   |        |              |
| 2   | A1650074   | HOLDER, SPRING          | 2   | 2  |   |        |              |
| 3   | S811090001 | RING, SNAP              | 1   | 1  |   |        |              |
| 4   | 3A1970119  | SHIM                    | AR  | AR |   |        | 0.07t        |
| 5   | 3A1970120  | SHIM                    | AR  | AR |   |        | 0.2t         |
| 6   | 3A1970121  | SHIM                    | 3   | 3  |   |        | 0.5t         |
| 7   | A0862100   | BEARING, BALL           | 1   | 1  |   |        | #6210        |
| 8   | A1320004   | ADAPTER, R/DIFF. SHAFT  | 1   | 1  |   |        |              |
| 9   | S804030010 | O-RING                  | 1   | 1  |   |        |              |
| 10  | A26799980  | BEARING, TAPER          | 1   | 1  |   |        | #30210       |
| 11  | A1326041   | SPACER                  | 1   | 1  |   |        | 98.1X77.1X12 |
| 12  | A1326048   | SUPPORT, DIFF.          | 1   | 1  |   |        |              |
| 13  | 3A1326005  | SCREW                   | 1   | 1  |   |        |              |
| 14  | A1326050   | PLATE, LOCK             | 1   | 1  |   |        |              |
| 15  | S165102543 | BOLT, HEX. F-THR        | 3   | 3  |   |        |              |
| 16  | A1326063   | FORK, DIFF LOCK         | 1   | 1  |   |        |              |
| 17  | A1326047   | SPRING, DIFF. LOCK      | 1   | 1  |   |        |              |
| 18  | S801016010 | O-RING                  | 1   | 1  |   |        |              |
| 19  | A1320028   | PEDAL, DIFF LOCK        | 1   | 1  |   |        |              |
| 20  | S440684012 | PIN, SPRING             | 1   | 1  |   |        |              |
| 21  | S446054012 | PIN, SPRING             | 1   | 1  |   |        |              |
| 22  | S345100043 | NUT, FLANGE B-TY.       | 1   | 1  |   |        | M10X1.25     |
| 23  | A1320011   | PLATE, DIFF. PEDAL      | 1   | 1  |   |        |              |
| 24  | S227403011 | SCREW, W/WASHER         | 1   | 1  |   |        |              |
| 25  | A1970358   | PEDAL, DIFF.            | 1   | 1  |   |        |              |
| 26  | S343040013 | NUT, FLANGE B-TY.       | 1   | 1  |   |        |              |
| 27  | A1320010   | PEDAL, DIFF LOCK        | 1   | 1  |   |        |              |
|     |            |                         |     |    |   |        |              |
|     |            |                         |     |    |   |        |              |
|     |            |                         |     |    |   |        |              |

# DIFF - LOCK

FIG. 4-1B

G. 320



# DIFF - LOCK

A-NOT AVAILABLE / B-i28,i36

A-NOT AVAILABLE / B-i28,i36

**FIG. 4-1B**

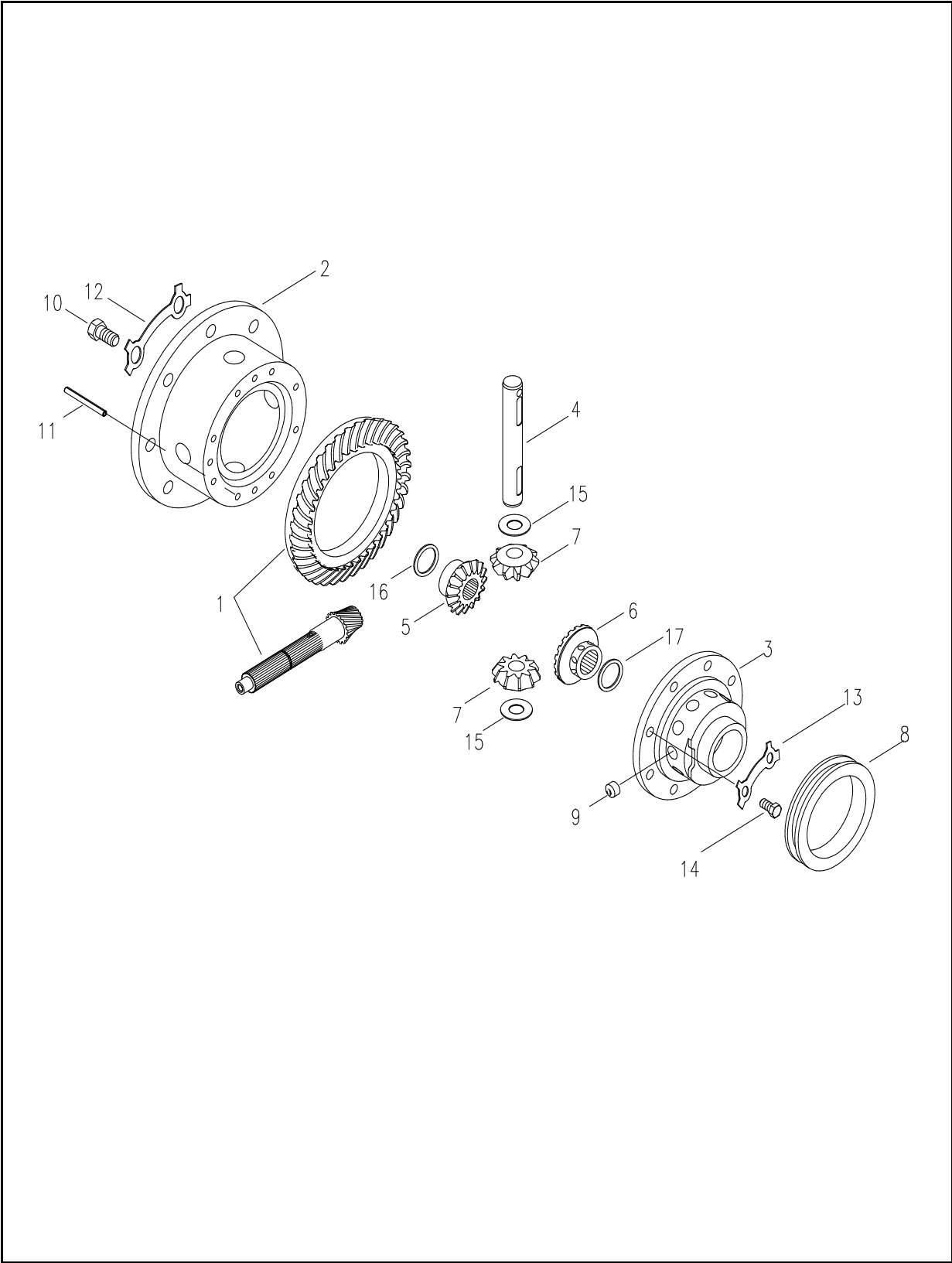
**( HST )**

| NO. | PART NO.   | PART NAME & DESCRIPTION | QTY          |    |    | APP.NO | REM. |
|-----|------------|-------------------------|--------------|----|----|--------|------|
|     |            |                         | A            | B  | C  |        |      |
| 1   | S154102533 | BOLT, HEX.              | 3            | 3  |    |        |      |
| 2   | A1650074   | HOLDER, SPRING          | 2            | 2  |    |        |      |
| 3   | S811090001 | RING, SNAP              | 1            | 1  |    |        |      |
| 4   | 3A1970119  | SHIM                    | 0.07t        | AR | AR |        |      |
| 5   | 3A1970120  | SHIM                    | 0.2t         | AR | AR |        |      |
| 6   | 3A1970121  | SHIM                    | 0.5t         | 3  | 3  |        |      |
| 7   | A0862100   | BEARING, BALL           | #6210        | 1  | 1  |        |      |
| 8   | A26799980  | BEARING, TAPER          | #30210       | 1  | 1  |        |      |
| 9   | A1326041   | SPACER                  | 98.1X77.1X12 | 1  | 1  |        |      |
| 10  | A1326048   | SUPPORT, DIFF.          |              | 1  | 1  |        |      |
| 11  | 3A1326005  | SCREW                   |              | 1  | 1  |        |      |
| 12  | A1326050   | PLATE, LOCK             |              | 1  | 1  |        |      |
| 13  | S165102543 | BOLT, HEX. F-THR        |              | 3  | 3  |        |      |
| 14  | A1970358   | PEDAL, DIFF.            |              | 1  | 1  |        |      |
| 15  | S227403011 | SCREW, W/WASHER         |              | 1  | 1  |        |      |
| 16  | S343040013 | NUT, FLANGE B-TY.       |              | 1  | 1  |        |      |
| 17  | A1320021   | PEDAL, DIFF.            |              | 1  | 1  |        |      |
| 18  | S446084012 | PIN, SPRING             |              | 2  | 2  |        |      |
| 19  | A1320004   | ADAPTER, R/DIFF. SHAFT  |              | 1  | 1  |        |      |
| 20  | S804028010 | O-RING                  |              | 1  | 1  |        |      |
| 21  | A1320020   | WASHER                  |              | 1  | 1  |        |      |
| 22  | S812020001 | RING, SNAP              |              | 1  | 1  |        |      |
| 23  | S801016010 | O-RING                  |              | 1  | 1  |        |      |
| 24  | A1326063   | FORK, DIFF LOCK         |              | 1  | 1  |        |      |
| 25  | A1326047   | SPRING, DIFF. LOCK      |              | 1  | 1  |        |      |
| 26  | A1320022   | SHAFT, DIFF LOCK        |              | 1  | 1  |        |      |
| 27  | S446054012 | PIN, SPRING             |              | 1  | 1  |        |      |
| 28  | 3A1290009  | CAP, RAIL               |              | 1  | 1  |        |      |
|     |            |                         |              |    |    |        |      |
|     |            |                         |              |    |    |        |      |
|     |            |                         |              |    |    |        |      |

# REAR DIFFERENTIAL

FIG. 4-2

G. 310



# REAR DIFFERENTIAL

A-NOT AVAILABLE / B-i28,i36

A-NOT AVAILABLE / B-i28,i36

**FIG. 4-2**

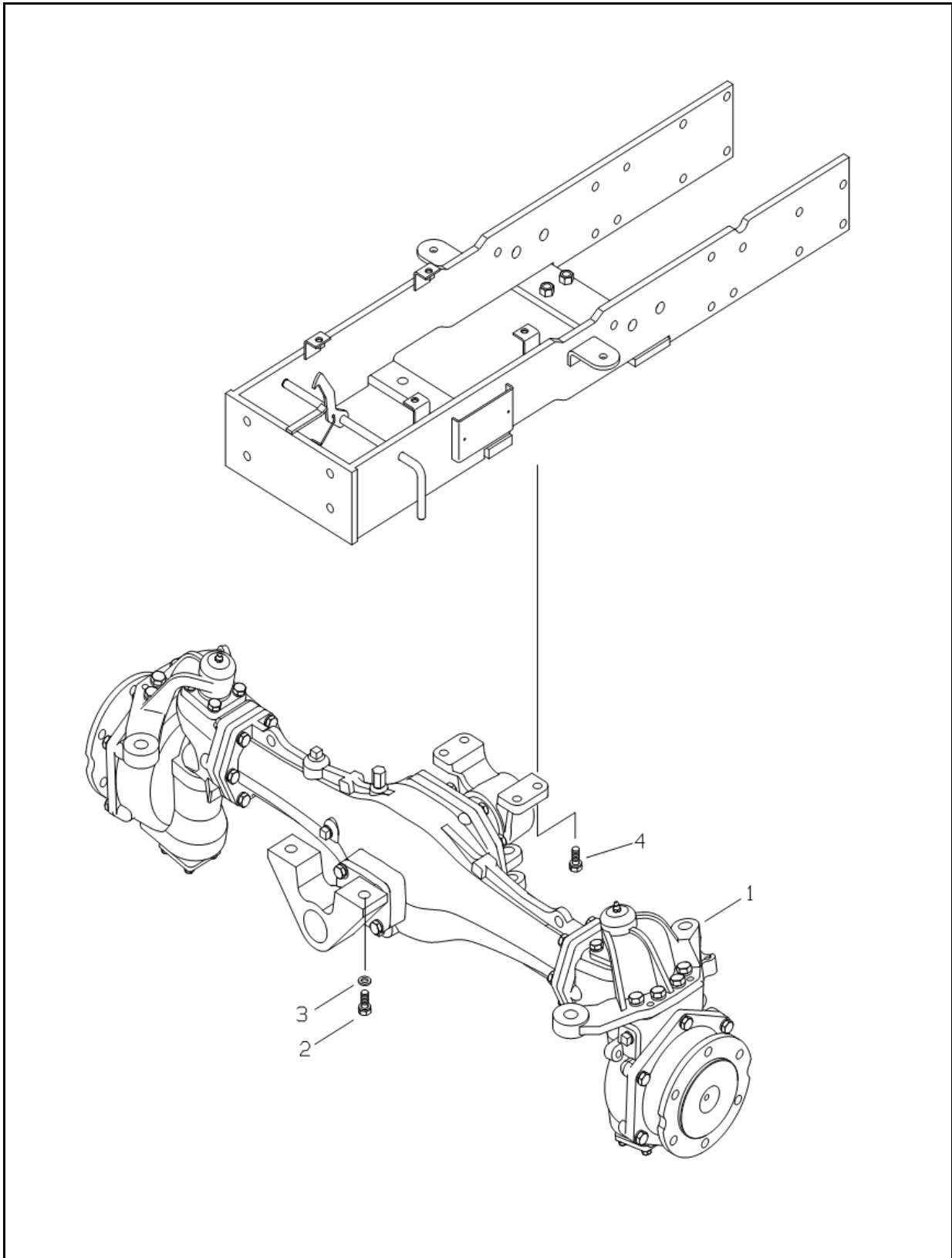
| NO.  | PART NO.   | PART NAME & DESCRIPTION | QTY                  |    |    | APP.NO | REM. |
|------|------------|-------------------------|----------------------|----|----|--------|------|
|      |            |                         | A                    | B  | C  |        |      |
| 1-17 | A1310014   | DIFF ASSY               | 1                    | 1  |    |        |      |
| 1    | A1310015   | PINION & RING GEAR SET  | 1                    | 1  |    |        |      |
| 2    | A1324091   | CASE, DIFF. (1)         | 1                    | 1  |    |        |      |
| 3    | A1324074   | CASE, DIFF. (2)         | 1                    | 1  |    |        |      |
| 4    | A1324075   | SHAFT (1)               | 1                    | 1  |    |        |      |
| 5    | A1324117   | GEAR, DIFF. SIDE (LH)   | 16t                  | 1  | 1  |        |      |
| 6    | A1324118   | GEAR, DIFF. SIDE (RH)   |                      | 1  | 1  |        |      |
| 7    | A1324116   | GEAR, PINION. MATE      | 10t                  | 2  | 2  |        |      |
| 8    | 3A1324007  | HUB, DIFF-LOCK          |                      | 1  | 1  |        |      |
| 9    | 3A1324014  | ROLLER                  | D12x1.5              | 10 | 10 |        |      |
| 10   | A1324090   | BOLT, HEX               | M12x1.25x23          | 8  | 8  |        |      |
| 11   | S446065010 | PIN, SPRING             | D6x50                | 1  | 1  |        |      |
| 12   | 3A1324012  | PLATE, LOCKING          | 1.0t                 | 4  | 4  |        |      |
| 13   | A1324079   | WASHER, LOCK (2)        | 1.0t                 | 4  | 4  |        |      |
| 14   | S105082043 | BOLT, HEX               | M8x1.25              | 8  | 8  |        |      |
| 15   | 3A1970123  | WASHER, THRUST          | OD42.07xID19.45x0.8t | 2  | 2  |        |      |
| 16   | 3A1970122  | WASHER, THRUST          | OD71.44xID41.47x0.8t | 1  | 1  |        |      |
| 17   | 3A1324003  | WASHER, THRUST (LH)     | OD74xID55x0.8t       | 1  | 1  |        |      |
|      |            |                         |                      |    |    |        |      |
|      |            |                         |                      |    |    |        |      |
|      |            |                         |                      |    |    |        |      |
|      |            |                         |                      |    |    |        |      |
|      |            |                         |                      |    |    |        |      |
|      |            |                         |                      |    |    |        |      |
|      |            |                         |                      |    |    |        |      |



# FRONT AXLE ASSY

FIG. 5-1

G. 400



# FRONT AXLE ASSY

A-NOT AVAILABLE / B-i28,i36

A-NOT AVAILABLE / B-i28,i36

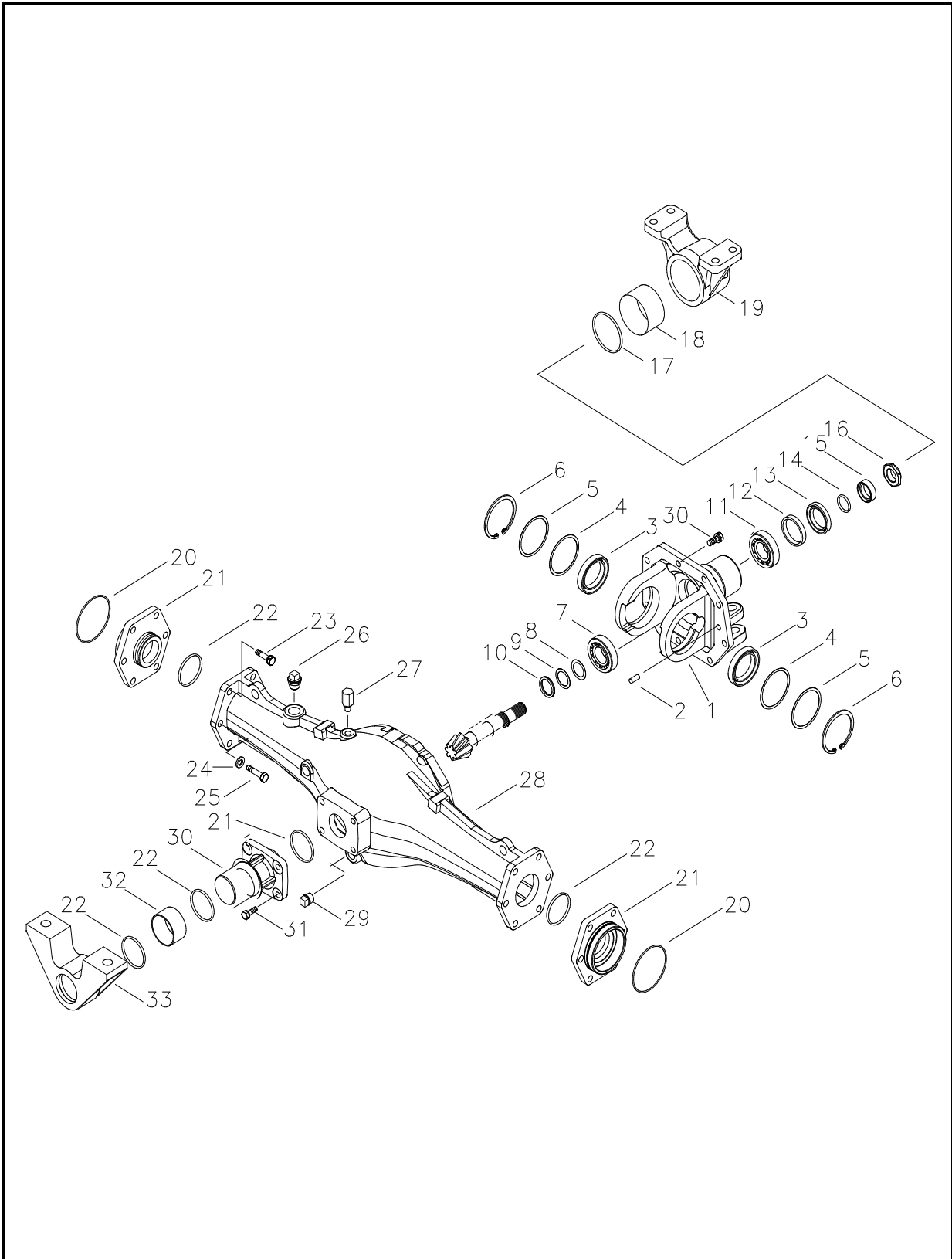
**FIG. 5-1**

| NO. | PART NO.   | PART NAME & DESCRIPTION |               | QTY |   |   | APP.NO | REM. |
|-----|------------|-------------------------|---------------|-----|---|---|--------|------|
|     |            |                         |               | A   | B | C |        |      |
| 1   | A1400327   | FRONT AXLE ASS'Y        |               | 1   | * |   |        | DO   |
|     | A1400260   | FRONT AXLE ASS'Y        |               | *   | 1 |   |        | EX   |
| 2   | S103164043 | BOLT, HEX.              | M16x1.5x40    | 2   | 2 |   |        |      |
| 3   | S361160013 | WASHER, SPRING          | Φ28xΦ16.2xΦ4t | 2   | 2 |   |        |      |
| 4   | S154124533 | BOLT, HEX.              | M12x1.25x45   | 4   | 4 |   |        |      |
|     |            |                         |               |     |   |   |        |      |
|     |            |                         |               |     |   |   |        |      |
|     |            |                         |               |     |   |   |        |      |
|     |            |                         |               |     |   |   |        |      |
|     |            |                         |               |     |   |   |        |      |
|     |            |                         |               |     |   |   |        |      |
|     |            |                         |               |     |   |   |        |      |
|     |            |                         |               |     |   |   |        |      |
|     |            |                         |               |     |   |   |        |      |
|     |            |                         |               |     |   |   |        |      |
|     |            |                         |               |     |   |   |        |      |
|     |            |                         |               |     |   |   |        |      |
|     |            |                         |               |     |   |   |        |      |

# FRONT AXLE CASE

FIG. 5-2

G. 400



# FRONT AXLE CASE

A-NOT AVAILABLE / B-i28,i36

A-NOT AVAILABLE / B-i28,i36

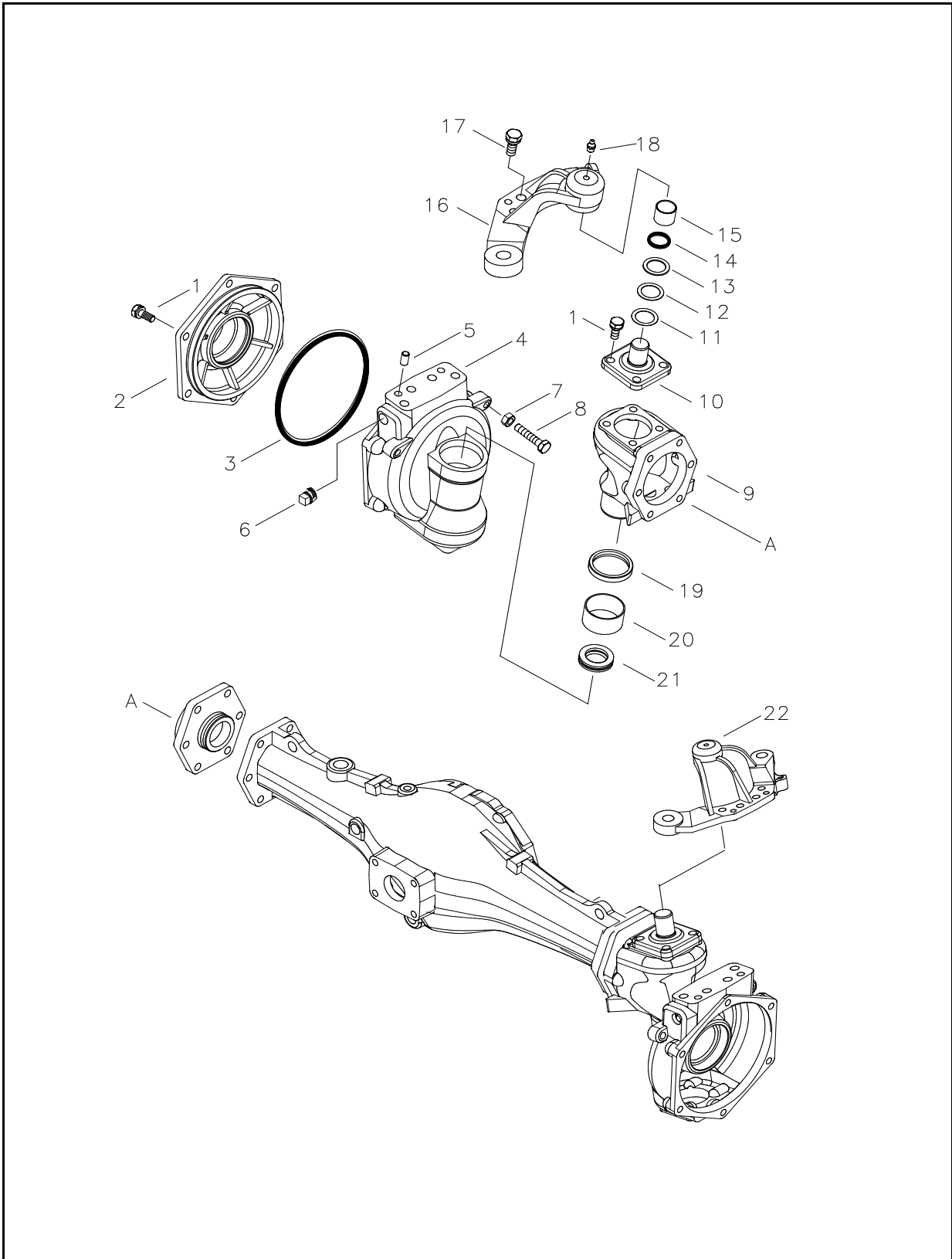
**FIG. 5-2**

| NO. | PART NO.   | PART NAME & DESCRIPTION |                  | QTY |    |   | APP.NO | REM. |
|-----|------------|-------------------------|------------------|-----|----|---|--------|------|
|     |            |                         |                  | A   | B  | C |        |      |
| 1   | A1400312   | HOLDER, DIFF ASSY       |                  | 1   | 1  |   |        |      |
| 2   | S423102010 | PIN, PAR. A-TY. (h7)    | Φ10x20           | 2   | 2  |   |        |      |
| 3   | A0860090   | BEARING, BALL           | #6009            | 2   | 2  |   |        |      |
| 4   | A0660425   | LINER                   |                  | AR  | AR |   |        |      |
| 5   | A0660427   | LINER                   |                  | AR  | AR |   |        |      |
| 6   | S811075001 | RING, SNAP              | Φ79.5            | 2   | 2  |   |        |      |
| 7   | A1400307   | BEARING, TAPER ROLLER   | #30305C          | 1   | 1  |   |        |      |
| 8   | A0870605   | LINER                   |                  | AR  | AR |   |        |      |
| 9   | A0870601   | LINER                   |                  | AR  | AR |   |        |      |
| 10  | A1281472   | WASHER, THRUST          |                  | 1   | 1  |   |        |      |
| 11  | A0670156   | BEARING, TAPER ROLLER   | #30205J          | 1   | 1  |   |        |      |
| 12  | A1400315   | SPACER                  |                  | 1   | 1  |   |        |      |
| 13  | A0651353   | SEAL, OIL               | TC35x52x9        | 1   | 1  |   |        |      |
| 14  | S802025010 | O-RING(G25)             | D24.4x3.1        | 1   | 1  |   |        |      |
| 15  | A1400023   | BUSHING, SEAL           |                  | 1   | 1  |   |        |      |
| 16  | A1281034   | NUT, LOCK               |                  | 1   | 1  |   |        |      |
| 17  | S802065010 | O-RING(G65)             | D64.4x3.1        | *   | 1  |   |        |      |
| 18  | A0678640   | BUSHING, DU             |                  | 1   | 1  |   |        |      |
| 19  | A1400271   | BRACKET, F/AXLE REAR    |                  | 1   | 1  |   |        |      |
| 20  | S804080010 | O-RING                  | D79.5x2.0        | 2   | 2  |   |        |      |
| 21  | A1400294   | CONNECTOR               |                  | 2   | 2  |   |        |      |
| 22  | S802050010 | O-RING(G55)             | D49.4x3.1        | 5   | 5  |   |        |      |
| 23  | Q1550013   | BOLT. HEX. W/WASHER     | M10x1.25x40      | 10  | 10 |   |        |      |
| 24  | S361100013 | WASHER, SPR. 1-TYPE     | Φ18.4xΦ10.2x2.5t | 2   | 2  |   |        |      |
| 25  | A1400318   | BOLT, REAMER            | M10x1.25x47      | 2   | 2  |   |        |      |
| 26  | 3A1970051  | PLUG, TAPER             | PT3/8            | 1   | 1  |   |        |      |
| 27  | 3A1400004  | BREATHER, AIR           |                  | 1   | 1  |   |        |      |
| 28  | A1400311   | CASE, F/AXLE            |                  | 1   | 1  |   |        |      |
| 29  | 3A1970052  | PLUG, TAPER             |                  | 2   | 2  |   |        |      |
| 30  | A1400267   | HOLDER, FRONT PIVOT     |                  | 1   | 1  |   |        |      |
| 31  | S154103033 | BOLT. HEX. W/WASHER     | M10x1.25x30      | 12  | 12 |   |        |      |
| 32  | A0678330   | BUSHING, DU             |                  | 1   | 1  |   |        |      |
| 33  | A1400270   | BRACKET, F/AXLE FRONT   |                  | 1   | 1  |   |        |      |
|     |            |                         |                  |     |    |   |        |      |
|     |            |                         |                  |     |    |   |        |      |

# FRONT AXLE CASE

FIG. 5-3

G. 400



# FRONT AXLE CASE

A-NOT AVAILABLE / B-i28,i36

A-NOT AVAILABLE / B-i28,i36

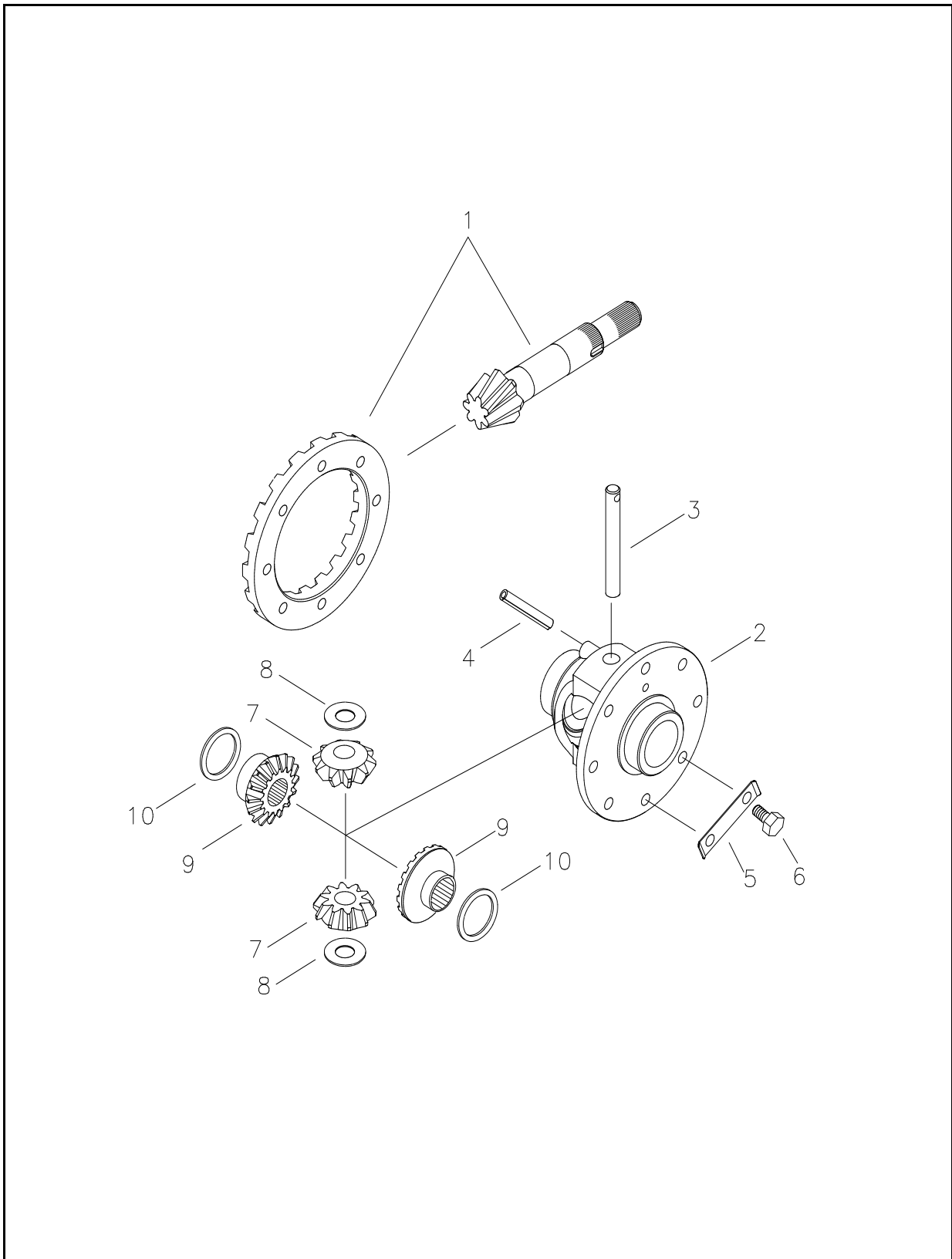
**FIG. 5-3**

| NO. | PART NO.   | PART NAME & DESCRIPTION |             | QTY |    |   | APP.NO | REM. |
|-----|------------|-------------------------|-------------|-----|----|---|--------|------|
|     |            |                         |             | A   | B  | C |        |      |
| 1   | S154102533 | BOLT, HEX. W/WASHER     | M10x1.25x25 | 20  | 20 |   |        |      |
| 2   | A1400264   | COVER, GEAR CASE        |             | *   | 2  |   |        |      |
|     | A1400330   | COVER, GEAR CASE        |             | 2   | *  |   |        |      |
| 3   | S802165010 | O-RING                  | D164.3x5.7  | 2   | 2  |   |        |      |
| 4   | A1400262   | CASE, GEAR              |             | *   | 2  |   |        |      |
|     | A1400329   | CASE, GEAR              |             | 2   | *  |   |        |      |
| 5   | S423102010 | PIN, PAR. A-TY. (h7)    | Φ10x20      | 4   | 4  |   |        |      |
| 6   | 3A1970052  | PLUG, TAPER             |             | 2   | 2  |   |        |      |
| 7   | S302100043 | NUT, HEX. 1-TY.         | M10x1.25    | 2   | 2  |   |        |      |
| 8   | S165105043 | BOLT, HEX. F-THRD       | M10x1.25x50 | 2   | 2  |   |        |      |
| 9   | A1400335   | CASE, KINGPIN           |             | *   | 2  |   |        |      |
|     | A1400328   | CASE, KINGPIN           |             | 2   | *  |   |        |      |
| 10  | A1400266   | HOLDER, ARM             |             | 2   | 2  |   |        |      |
| 11  | A0870601   | LINER                   |             | AR  | AR |   |        |      |
| 12  | A0870605   | LINER                   |             | AR  | AR |   |        |      |
| 13  | A0870608   | LINER                   |             | 2   | 2  |   |        |      |
| 14  | S801025010 | O-RING (P)              | D24.7x3.5   | *   | 2  |   |        |      |
| 15  | A0677825   | BUSHING, DU             |             | 2   | 2  |   |        |      |
| 16  | A1400314   | ARM, KNUCKLE(RH)        |             | 1   | 1  |   |        |      |
| 17  | S153123033 | BOLT, HEX. W/WASHER     | M12x1.75x30 | 8   | 8  |   |        |      |
| 18  | 3A1970069  | NIPPLE, GREASE          |             | 2   | 2  |   |        |      |
| 19  | A1405029   | SEAL, OIL               | TC40x60x12  | *   | 2  |   |        |      |
|     | A1400332   | SEAL, GROUP             | TC40x60x12  | 2   | *  |   |        |      |
| 20  | A0678330   | BUSHING, DU             |             | 2   | 2  |   |        |      |
| 21  | A0670143   | BEARING, THRUST         | #51106      | 2   | 2  |   |        |      |
| 22  | A1400313   | KNUCKLE ARM(LH)         |             | 1   | 1  |   |        |      |
|     |            |                         |             |     |    |   |        |      |
|     |            |                         |             |     |    |   |        |      |
|     |            |                         |             |     |    |   |        |      |
|     |            |                         |             |     |    |   |        |      |

# FRONT DIFFERENTIAL

FIG. 5-4

G. 400



# FRONT DIFFERENTIAL

A-NOT AVAILABLE / B-i28,i36

A-NOT AVAILABLE / B-i28,i36

**FIG. 5-4**

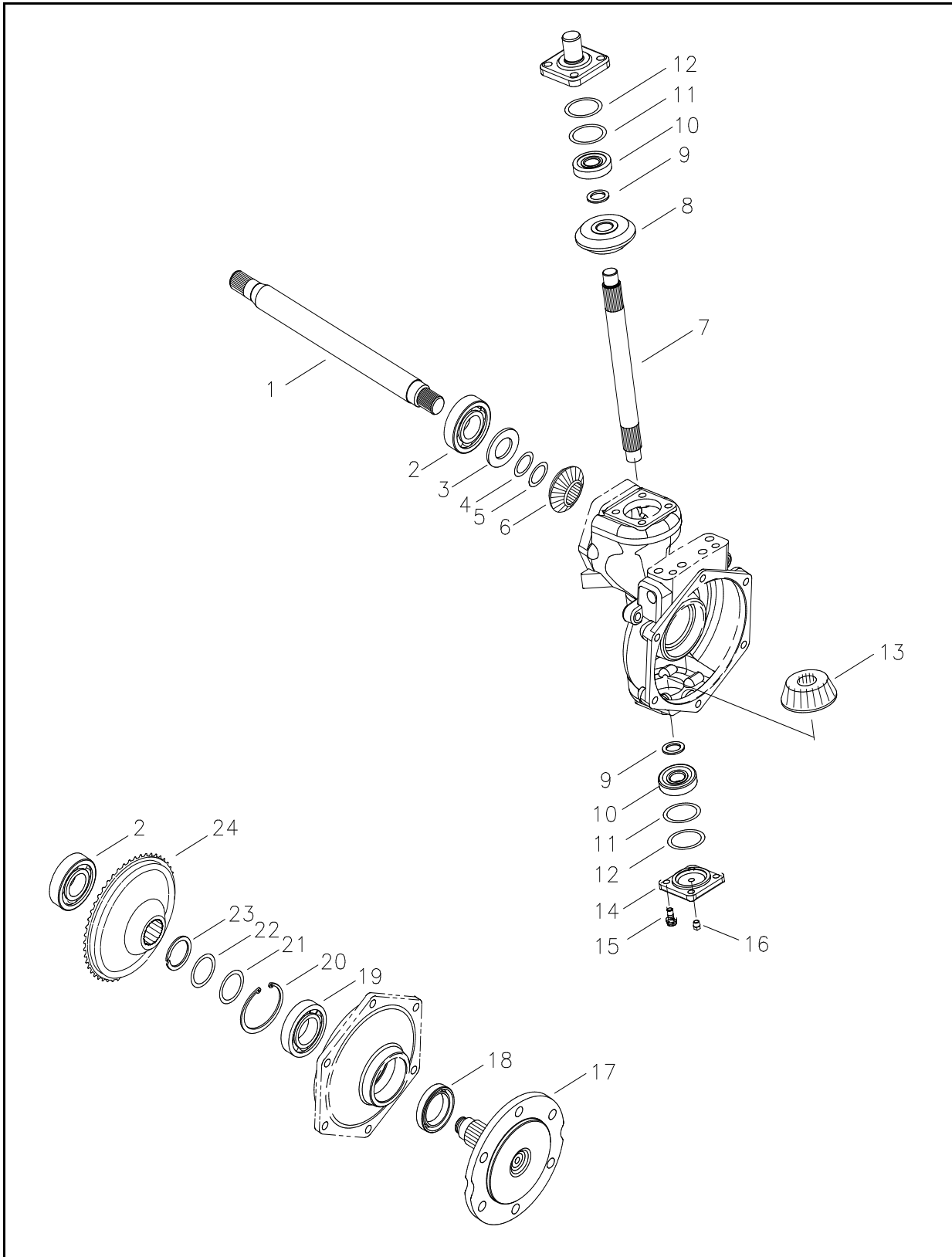
| NO.  | PART NO.   | PART NAME & DESCRIPTION | QTY |   |            | APP.NO | REM. |  |
|------|------------|-------------------------|-----|---|------------|--------|------|--|
|      |            |                         | A   | B | C          |        |      |  |
| 1-10 | A1410043   | DIFF, ASSY F/AXLE       | 1   | 1 |            |        |      |  |
| 1    | A1410056   | PINION & RING GEAR SET  | 1   | 1 |            |        |      |  |
| 2    | A1410060   | CASE, DIFF              | 1   | 1 |            |        |      |  |
| 3    | A1410058   | SHAFT, MATE GEAR        | 1   | 1 |            |        |      |  |
| 4    | S446065012 | PIN, SPRING             |     |   | Φ6.4x50    | 1      | 1    |  |
| 5    | A1410051   | PLATE, LOCK             | 4   | 4 |            |        |      |  |
| 6    | S163081643 | BOLT, HEX. F-THRD       |     |   | M8x1.25x16 | 8      | 8    |  |
| 7    | A1410057   | GEAR MATE(10T)          | 2   | 2 |            |        |      |  |
| 8    | A1410059   | WASHER, THRUST#2        | 2   | 2 | 1.2t       |        |      |  |
| 9    | A1410048   | GEAR DIFF SIDE(16T)     | 2   | 2 |            |        |      |  |
| 10   | A1410052   | WASHER, THRUST#1        | 2   | 2 | 1.2t       |        |      |  |
|      |            |                         |     |   |            |        |      |  |
|      |            |                         |     |   |            |        |      |  |
|      |            |                         |     |   |            |        |      |  |
|      |            |                         |     |   |            |        |      |  |
|      |            |                         |     |   |            |        |      |  |
|      |            |                         |     |   |            |        |      |  |
|      |            |                         |     |   |            |        |      |  |
|      |            |                         |     |   |            |        |      |  |
|      |            |                         |     |   |            |        |      |  |



# FRONT DRIVE

FIG. 5-5

G. 400



# FRONT DRIVE

A-NOT AVAILABLE / B-i28,i36

A-NOT AVAILABLE / B-i28,i36

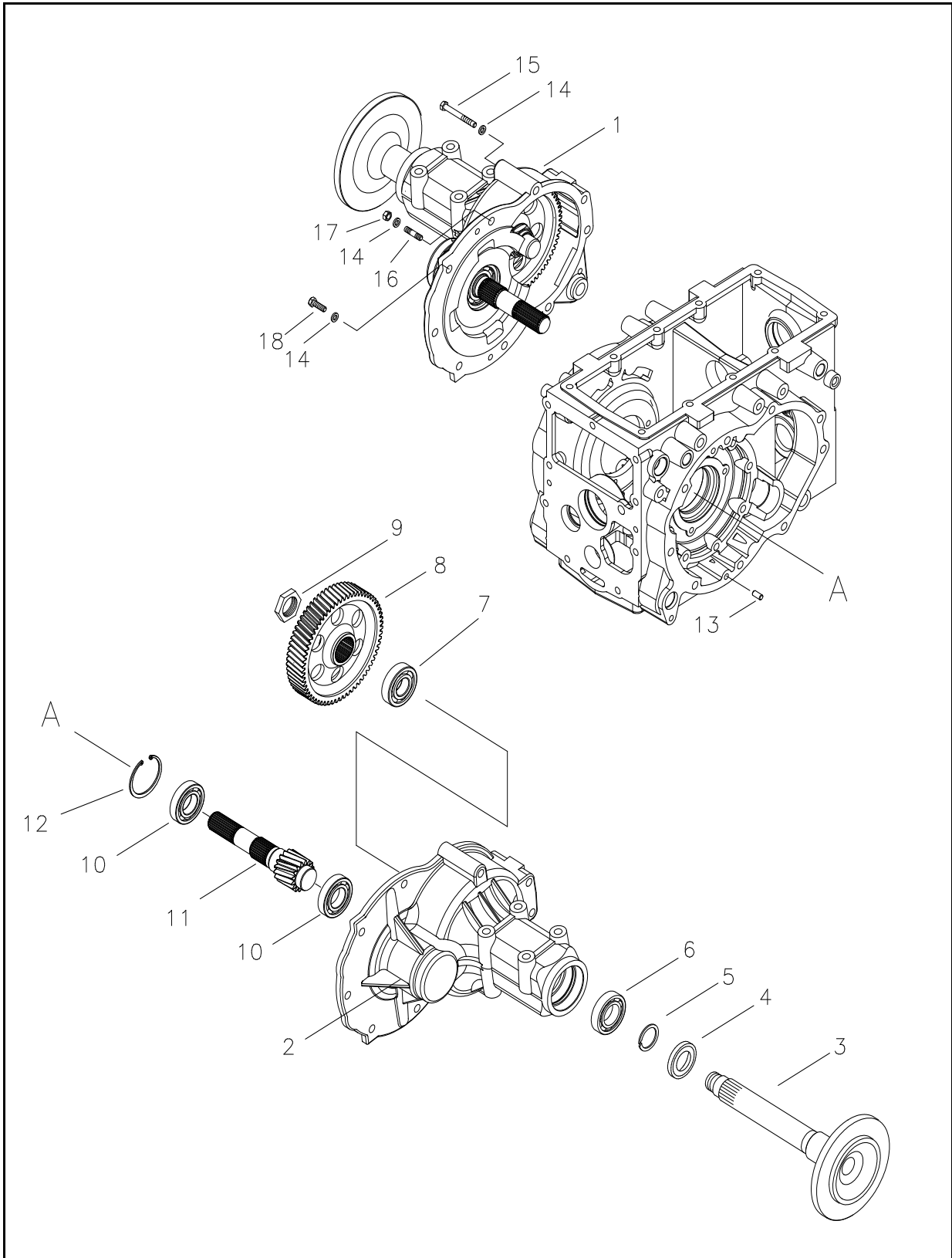
**FIG. 5-5**

| NO. | PART NO.   | PART NAME & DESCRIPTION | QTY |    |   | APP.NO | REM. |
|-----|------------|-------------------------|-----|----|---|--------|------|
|     |            |                         | A   | B  | C |        |      |
| 1   | A1400272   | SHAFT, F/DIFF           | 2   | 2  |   |        |      |
| 2   | A0863060H1 | BEARING, BALL           | 4   | 4  |   |        |      |
| 3   | A12871472  | WASHER, THRUST          | 2   | 2  |   |        |      |
| 4   | A0870601   | LINER                   | AR  | AR |   |        |      |
| 5   | A0870605   | LINER                   | AR  | AR |   |        |      |
| 6   | A1400275   | BEVEL GEAR(13T)         | 2   | 2  |   |        |      |
| 7   | A1400273   | SHAFT, KINGPIN          | 2   | 2  |   |        |      |
| 8   | A1400276   | BEVEL GEAR(16T)         | 2   | 2  |   |        |      |
| 9   | A1400308   | SPACER                  | 4   | 4  |   |        |      |
| 10  | A1400309   | BEARING, TAPER ROLLER   | 4   | 4  |   |        |      |
| 11  | A0870461   | LINER                   | AR  | AR |   |        |      |
| 12  | A0870465   | LINER                   | AR  | AR |   |        |      |
| 13  | A1400277   | BEVEL GEAR(13T)         | 2   | 2  |   |        |      |
| 14  | A1400265   | COVER, KINGPIN          | 2   | 2  |   |        |      |
| 15  | S153082033 | BOLT, HEX W/WASHER      | 8   | 8  |   |        |      |
| 16  | 3A1970052  | PLUG, TAPER             | 2   | 2  |   |        |      |
| 17  | A1400274   | SHAFT, F/AXLE           | *   | 2  |   |        |      |
|     | A1400331   | SHAFT, F/AXLE           | 2   | *  |   |        |      |
| 18  | A1287211   | SEAL, OIL               | *   | 2  |   |        |      |
|     | A1400332   | SEAL, GROUP             | 2   | *  |   |        |      |
| 19  | A0862070   | BEARING, BALL           | 2   | 2  |   |        |      |
| 20  | S811072001 | RING, SNAP              | 2   | 2  |   |        |      |
| 21  | A0870451   | LINER                   | AR  | AR |   |        |      |
| 22  | A0870455   | LINER                   | AR  | AR |   |        |      |
| 23  | S812035001 | RING, SNAP              | 2   | 2  |   |        |      |
| 24  | A1400278   | BEVEL GEAR(35T)         | 2   | 2  |   |        |      |
|     |            |                         |     |    |   |        |      |
|     |            |                         |     |    |   |        |      |
|     |            |                         |     |    |   |        |      |

# REAR AXLE

FIG. 5-6

G. 480



# REAR AXLE

A-NOT AVAILABLE / B-i28,i36

A-NOT AVAILABLE / B-i28,i36

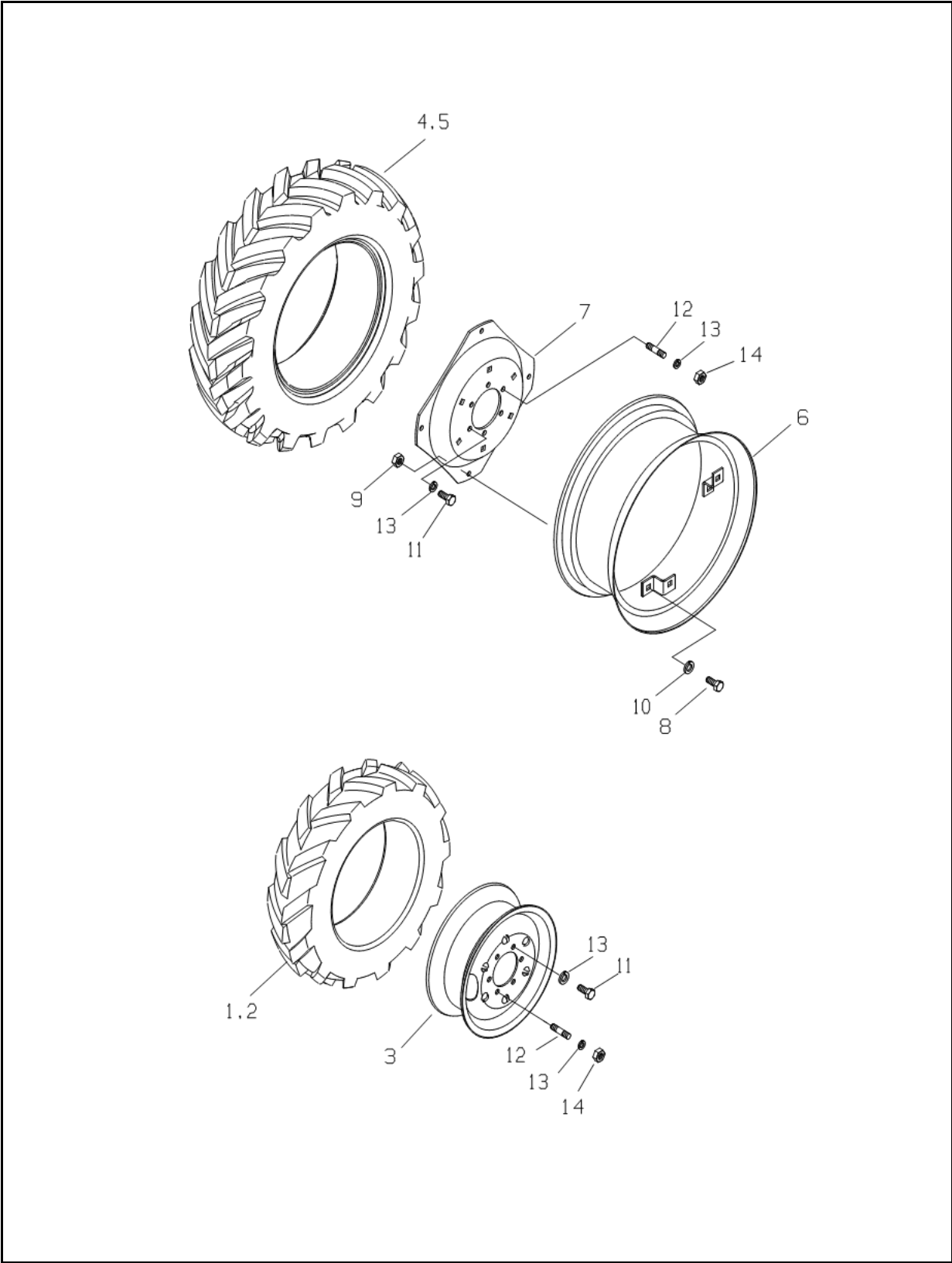
**FIG. 5-6**

| NO.    | PART NO.   | PART NAME & DESCRIPTION       | QTY |    |   | APP.NO | REM. |
|--------|------------|-------------------------------|-----|----|---|--------|------|
|        |            |                               | A   | B  | C |        |      |
| 1,3~12 | A1480130   | FINAL DRIVE ASSY (RH)         | 1   | 1  |   |        |      |
| 2~12   | A1480129   | FINAL DRIVE ASSY (LH)         | 1   | 1  |   |        |      |
| 1      | A1480132   | CASE, F/DRIVE(RH)             | 1   | 1  |   |        |      |
| 2      | A1480131   | CASE, F/DRIVE(LH)             | 1   | 1  |   |        |      |
| 3      | A1481066   | SHAFT, REAR AXLE              | 1   | 1  |   |        |      |
| 4      | A1450014   | SEAL, OIL                     | 1   | 1  |   |        |      |
| 5      | S812045001 | RING, SNAP                    | 1   | 1  |   |        |      |
| 6      | A0832009XJ | BEARING, TAPER (#32009XJ)     | 1   | 1  |   |        |      |
| 7      | A0830209J  | BEARING, TAPER (#30209J)      | 1   | 1  |   |        |      |
| 8      | A1481085   | GEAR, FINAL DRVN.(65T)        | 1   | 1  |   |        |      |
| 9      | A1481040   | NUT, LOCK                     | 1   | 1  |   |        |      |
| 10     | A0862080HL | BEARING, BALL                 | 2   | 2  |   |        |      |
| 11     | A1481084   | SHAFT, FINAL DRV. W/GEAR(16T) | 1   | 1  |   |        |      |
| 12     | S811080001 | RING, SNAP                    | 1   | 1  |   |        |      |
| 13     | S423102010 | PIN_PAR A-TY                  | 4   | 4  |   |        |      |
| 14     | S102141243 | BOLT, HEX.                    | 8   | 8  |   |        |      |
| 15     | S362140013 | WASHER, SPR. 2-TY.            | 18  | 18 |   |        |      |
| 16     | S137144023 | BOLT, STUD                    | 4   | 4  |   |        |      |
| 17     | S301140043 | NUT, HEX. 1-TY.               | 4   | 4  |   |        |      |
| 18     | S101144043 | BOLT, HEX.                    | 6   | 6  |   |        |      |
|        |            |                               |     |    |   |        |      |
|        |            |                               |     |    |   |        |      |
|        |            |                               |     |    |   |        |      |
|        |            |                               |     |    |   |        |      |
|        |            |                               |     |    |   |        |      |
|        |            |                               |     |    |   |        |      |

# FRONT & REAR WHEEL (TIRE)

FIG. 5-7

G. 490



# FRONT & REAR WHEEL (TIRE)

A-NOT AVAILABLE / B-i28,i36

A-NOT AVAILABLE / B-i28,i36

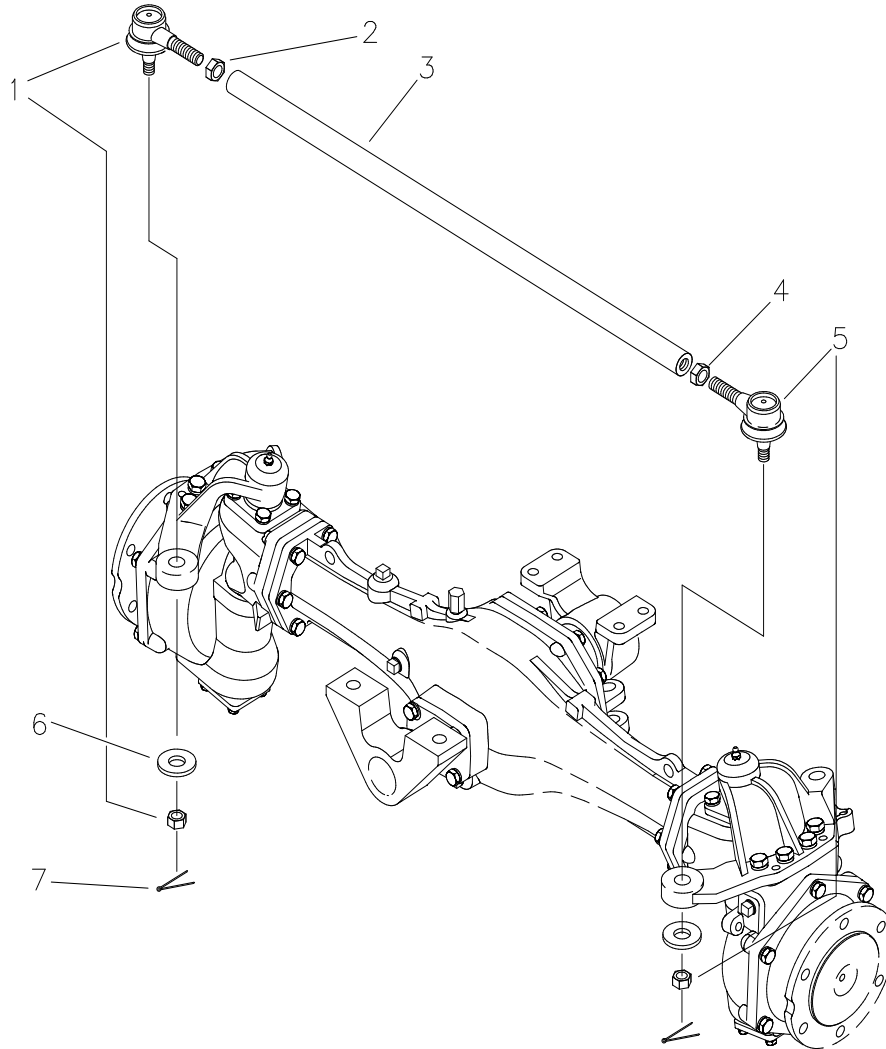
**FIG. 5-7**

| NO.  | PART NO.   | PART NAME & DESCRIPTION    |              | QTY |    |   | APP.NO | REM.    |
|------|------------|----------------------------|--------------|-----|----|---|--------|---------|
|      |            |                            |              | A   | B  | C |        |         |
| 1~2  | A1490053   | FRONT TIRE ASSY            | 7-16 4PR     | 2   | 2  |   |        | i36,i38 |
| 1    | A1494069   | TIRE, FRONT(7-16 4PR)      | 7-16 4PR     | 1   | 1  |   |        |         |
| 2    | A1490036   | TUBE, FRONT                | 7-16 4PR     | 1   | 1  |   |        |         |
| 1~2  | A1490143   | FRONT TIRE ASSY            | 7-14 4PR     | 2   | 2  |   |        | i28,i30 |
| 1    | A1490103   | TIRE, FRONT(7-14 4PR)      | 7-14 4PR     | 1   | 1  |   |        |         |
| 2    | A1490009   | TUBE, FRONT                | 7-14 4PR     | 1   | 1  |   |        |         |
| 3    | A1490207   | FRONT RIM ASSY             | W6X16        | 2   | 2  |   |        | i36,i38 |
| 3    | A1490197   | FRONT RIM ASSY             | W5X14        | 2   | 2  |   |        | i28,i30 |
| 4~5  | A1490068   | REAR TIRE ASSY             | 12.4-24 6PR  | 2   | 2  |   |        | i36,i38 |
| 4    | A00010525  | TUBE, INNER (W/VALVE)      | 12.4-24 6PR  | 1   | 1  |   |        |         |
| 5    | A1494065   | TIRE REAR(12.4-24 FM2 6PR) | 12.4-24 6PR  | 1   | 1  |   |        |         |
| 4~5  | A1494055   | REAR TIRE ASSY             | 11.2-24 8PR  | 2   | 2  |   |        | i28,i30 |
| 4    | A1494044   | TUBE, REAR                 | 11.2-24 8PR  | 1   | 1  |   |        |         |
| 5    | A1494043   | TIRE, REAR(11.2-24 8P H)   | 11.2-24 8PR  | 1   | 1  |   |        |         |
| 6~10 | A1490022   | REAR RIM ASSY              | W10X24       | 2   | 2  |   |        | i36,i38 |
| 6    | A1490023   | RIM                        | W10X24       | 1   | 1  |   |        |         |
| 7    | A1490024   | DISK                       | W10X24       | 1   | 1  |   |        |         |
| 8    | A1970077   | BOLT, HEX                  | M16X1.5X37   | 4   | 4  |   |        |         |
| 9    | S306160013 | NUT, HEX. 2TY              | M15X1.5      | 4   | 4  |   |        |         |
| 10   | S361160013 | WASHER, SPR. 1-TY.         | D28Xd16.2X4t | 4   | 4  |   |        |         |
| 6~10 | A1490150   | RIM & DISK ASSY            | W10X24       | 2   | 2  |   |        | i28,i30 |
| 6    | A5000518   | RIM                        | W10X24       | 1   | 1  |   |        |         |
| 7    | A1490148   | DISK                       | W10X24       | 1   | 1  |   |        |         |
| 8    | A5002174   | BOLT, WHEEL DISK           | M16X1.5X82   | 6   | 6  |   |        |         |
| 9    | A5002175   | NUT, WHEEL DISK            | M16X1.5      | 6   | 6  |   |        |         |
| 10   | A5002232   | WASHER, CON. SPR.          | D34Xd16X5t   | 6   | 6  |   |        |         |
| 11   | S103163043 | BOLT, HEX.                 | M16X1.5X30L  | 16  | 16 |   |        |         |
| 12   | S167162523 | BOLT, STUD                 | M16X1.5X25L  | 8   | 8  |   |        |         |
| 13   | S361160013 | WASHER, SPR. 1-TY.         | D28Xd16.2X4t | 24  | 24 |   |        |         |
| 14   | S302160043 | NUT, HEX. 1-TY             | M16X1.5      | 8   | 8  |   |        |         |
|      |            |                            |              |     |    |   |        |         |
|      |            |                            |              |     |    |   |        |         |
|      |            |                            |              |     |    |   |        |         |

# TIE ROD

FIG. 6-1

G. 610



# TIE ROD

A-NOT AVAILABLE / B-i28,i36

A-NOT AVAILABLE / B-i28,i36

**FIG. 6-1**

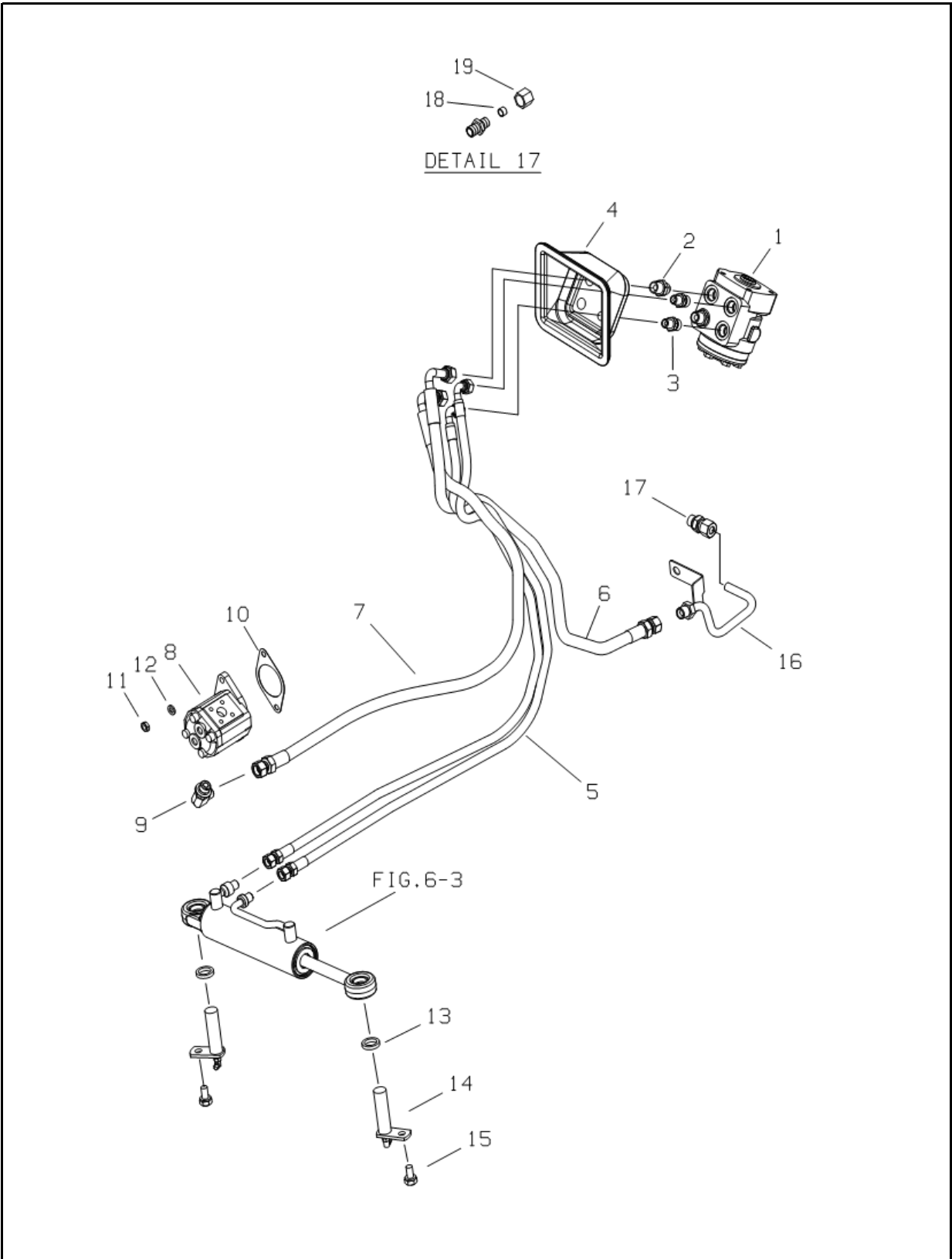
| NO. | PART NO.   | PART NAME & DESCRIPTION |            | QTY |   |   | APP.NO | REM. |
|-----|------------|-------------------------|------------|-----|---|---|--------|------|
|     |            |                         |            | A   | B | C |        |      |
| 1-5 | A1610045   | TIE ROD ASSY            | 888L       | 1   | 1 |   |        |      |
| 1   | A1610035   | END ASSY, LH            |            | 1   | 1 |   |        |      |
| 2   | A1610016   | NUT, HEX. LH            | M18x1.5(L) | 1   | 1 |   |        |      |
| 3   | A1610046   | PIPE, TIE ROD           |            | 1   | 1 |   |        |      |
| 4   | S306180043 | NUT, HEX. RH            | M18x1.5    | 1   | 1 |   |        |      |
| 5   | A1610036   | END ASSY, RH            |            | 1   | 1 |   |        |      |
| 6   | S365164013 | WASHER, PLN.            | 3t         | 2   | 2 |   |        |      |
| 7   | S441403613 | PIN, SPLIT              | Φ4x36      | 2   | 2 |   |        |      |
|     |            |                         |            |     |   |   |        |      |
|     |            |                         |            |     |   |   |        |      |
|     |            |                         |            |     |   |   |        |      |
|     |            |                         |            |     |   |   |        |      |
|     |            |                         |            |     |   |   |        |      |
|     |            |                         |            |     |   |   |        |      |
|     |            |                         |            |     |   |   |        |      |
|     |            |                         |            |     |   |   |        |      |
|     |            |                         |            |     |   |   |        |      |
|     |            |                         |            |     |   |   |        |      |



# STEERING LINES

FIG. 6-2A

G. 630



# STEERING LINES

A-NOT AVAILABLE / B-i28,i36

A-NOT AVAILABLE / B-i28,i36

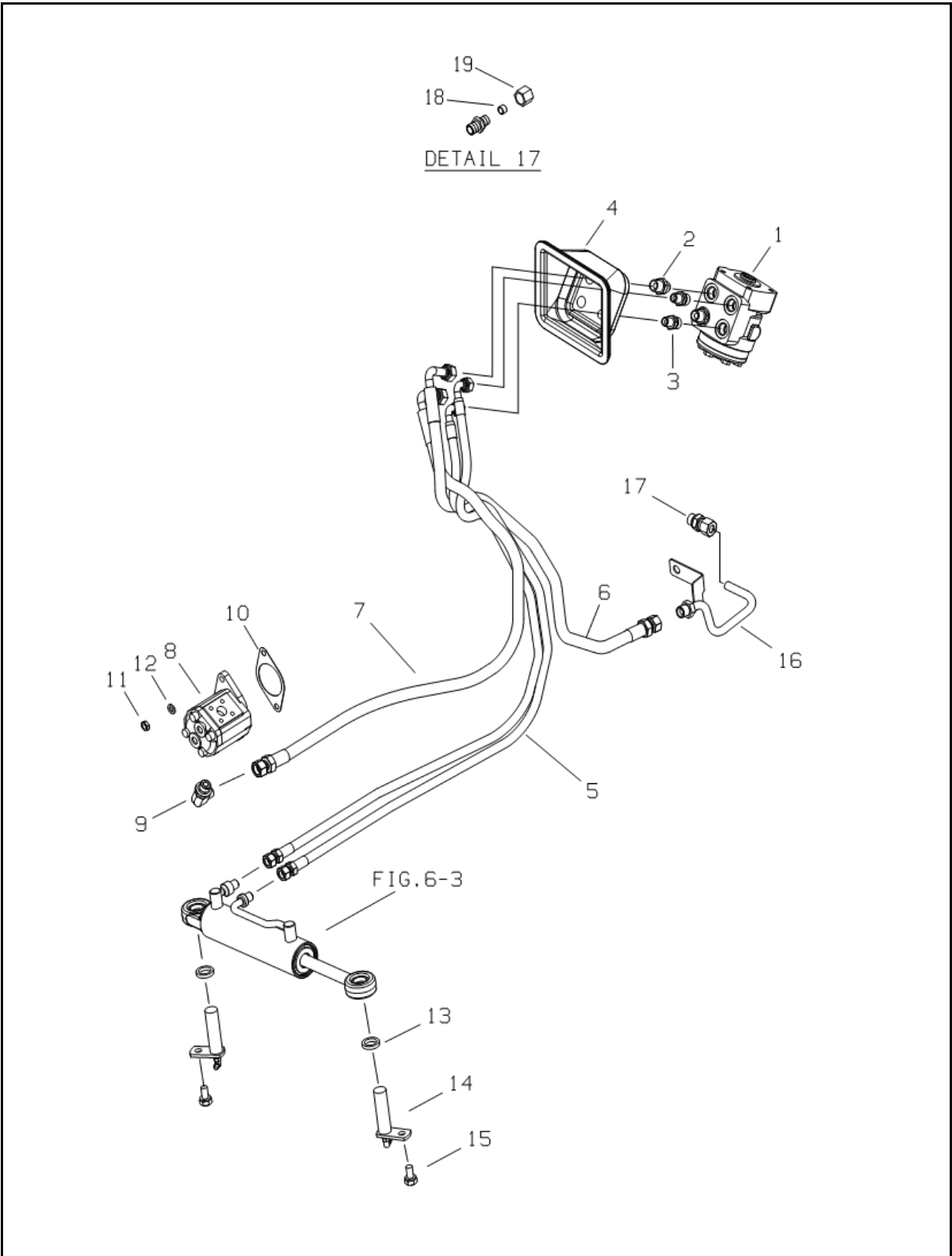
**FIG. 6-2A**

| NO.   | PART NO.   | PART NAME & DESCRIPTION |               | QTY |   |   | APP.NO | REM. |
|-------|------------|-------------------------|---------------|-----|---|---|--------|------|
|       |            |                         |               | A   | B | C |        |      |
| 1     | A1630628   | UNIT, STEERING          | 62CC/REV      | 1   | 1 |   |        |      |
| 2     | A1630538   | JOINT, HOSE             | HOFM-0303G    | 1   | 1 |   |        |      |
| 3     | A1630524   | JOINT, HOSE             | HOFM-0203G    | 2   | 2 |   |        |      |
| 4     | A1630530   | COVER, STEERING HOSE    |               | 1   | 1 |   |        |      |
| 5     | A1630569   | HOSE, STEERING CYLINDER | 1/4"          | 2   | 2 |   |        |      |
| 6     | A1630576   | HOSE, STR. DRAIN        | 3/8"          | 1   | 1 |   |        |      |
| 7     | A1630527   | HOSE, PRESSURE HOSE     | 3/8"          | 1   | 1 |   |        |      |
| 8     | A1630540   | PUMP, STEERING          | 6CC/REV       | 1   | * |   |        |      |
|       | A1630539   | PUMP, STEERING          | 6CC/REV       | *   | 1 |   |        |      |
| 9     | A1630543   | JOINT                   | HOFBM-0303G   | 1   | * |   |        |      |
|       | A1630541   | JOINT                   | HOFBM-0303G   | *   | 1 |   |        |      |
| 10    | A1630547   | PACKING, PUMP           |               | 1   | 1 |   |        |      |
| 11    | S313080013 | NUT, HEX                | M8x1.25       | 2   | 2 |   |        |      |
| 12    | S361080013 | WASHER, SPRING          | Φ15.4xΦ8.2x2t | 2   | 2 |   |        |      |
| 13    | A1630135   | SPACER, CYLINDER PIN    |               | 2   | 2 |   |        |      |
| 14    | A1630327   | PIN ASSY, CYLINDER      |               | 2   | 2 |   |        |      |
| 15    | S154102033 | BOLT, HEX W/WASHER      |               | 2   | 2 |   |        |      |
| 16,17 | A1630620   | DRAIN PIPE ASSY         |               | 1   | 1 |   |        | MEC  |
| 16    | A1630621   | PIPE, P/S DRAIN         |               | 1   | 1 |   |        | MEC  |
| 17    | A1630144   | JOINT                   | BOM12-03G     | 1   | 1 |   |        | MEC  |
| 18    | A1630169   | SLEEVE                  | Φ12           | 1   | 1 |   |        |      |
| 19    | A1630170   | NUT, HEX                |               | 1   | 1 |   |        |      |
|       |            |                         |               |     |   |   |        |      |
|       |            |                         |               |     |   |   |        |      |
|       |            |                         |               |     |   |   |        |      |
|       |            |                         |               |     |   |   |        |      |
|       |            |                         |               |     |   |   |        |      |

# STEERING LINES

FIG. 6-2A

G. 630



# STEERING LINES

A-NOT AVAILABLE / B-i28,i36

A-NOT AVAILABLE / B-i28,i36

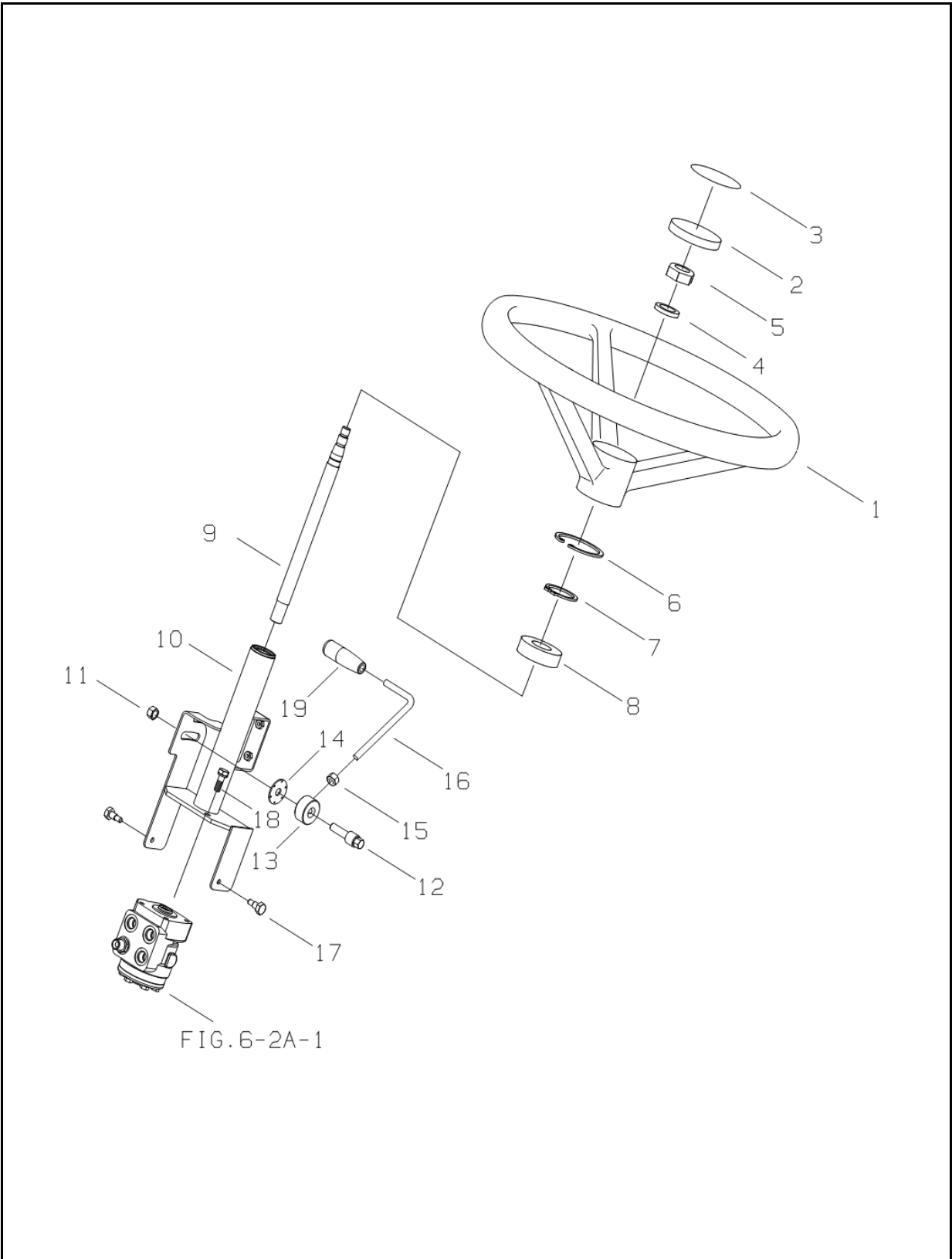
**FIG. 6-2A**

| NO.   | PART NO.   | PART NAME & DESCRIPTION |               | QTY |   |   | APP.NO | REM. |
|-------|------------|-------------------------|---------------|-----|---|---|--------|------|
|       |            |                         |               | A   | B | C |        |      |
| 1     | A1630586   | UNIT, STEERING          | 62CC/REV      | 1   | 1 |   |        |      |
| 2     | A1630538   | JOINT, HOSE             | HOFM-0303G    | 1   | 1 |   |        |      |
| 3     | A1630524   | JOINT, HOSE             | HOFM-0203G    | 2   | 2 |   |        |      |
| 4     | A1630530   | COVER, STEERING HOSE    |               | 1   | 1 |   |        |      |
| 5     | A1630569   | HOSE, STEERING CYLINDER | 1/4"          | 2   | 2 |   |        |      |
| 6     | A1630576   | HOSE, STR. DRAIN        | 3/8"          | 1   | 1 |   |        |      |
| 7     | A1630527   | HOSE, PRESSURE HOSE     | 3/8"          | 1   | 1 |   |        |      |
| 8     | A1630540   | PUMP, STEERING          | 6CC/REV       | 1   | * |   |        |      |
|       | A1630539   | PUMP, STEERING          | 6CC/REV       | *   | 1 |   |        |      |
| 9     | A1630543   | JOINT                   | HOFBM-0303G   | 1   | * |   |        |      |
|       | A1630541   | JOINT                   | HOFBM-0303G   | *   | 1 |   |        |      |
| 10    | A1630547   | PACKING, PUMP           |               | 1   | 1 |   |        |      |
| 11    | S313080013 | NUT, HEX                | M8x1.25       | 2   | 2 |   |        |      |
| 12    | S361080013 | WASHER, SPRING          | Φ15.4xΦ8.2x2t | 2   | 2 |   |        |      |
| 13    | A1630135   | SPACER, CYLINDER PIN    |               | 2   | 2 |   |        |      |
| 14    | A1630327   | PIN ASSY, CYLINDER      |               | 2   | 2 |   |        |      |
| 15    | S154102033 | BOLT, HEX W/WASHER      |               | 2   | 2 |   |        |      |
| 16,17 | A1630620   | DRAIN PIPE ASSY         |               | 1   | 1 |   |        | MEC  |
| 16    | A1630621   | PIPE, P/S DRAIN         |               | 1   | 1 |   |        | MEC  |
| 17    | A1630144   | JOINT                   | BOM12-03G     | 1   | 1 |   |        | MEC  |
| 18    | A1630169   | SLEEVE                  | Φ12           | 1   | 1 |   |        |      |
| 19    | A1630170   | NUT, HEX                |               | 1   | 1 |   |        |      |
|       |            |                         |               |     |   |   |        |      |
|       |            |                         |               |     |   |   |        |      |
|       |            |                         |               |     |   |   |        |      |
|       |            |                         |               |     |   |   |        |      |
|       |            |                         |               |     |   |   |        |      |

# STEERING WHEEL & COLUMN

FIG. 6-3

G. 630



# STEERING WHEEL & COLUMN

A-NOT AVAILABLE / B-i28,i36

A-NOT AVAILABLE / B-i28,i36

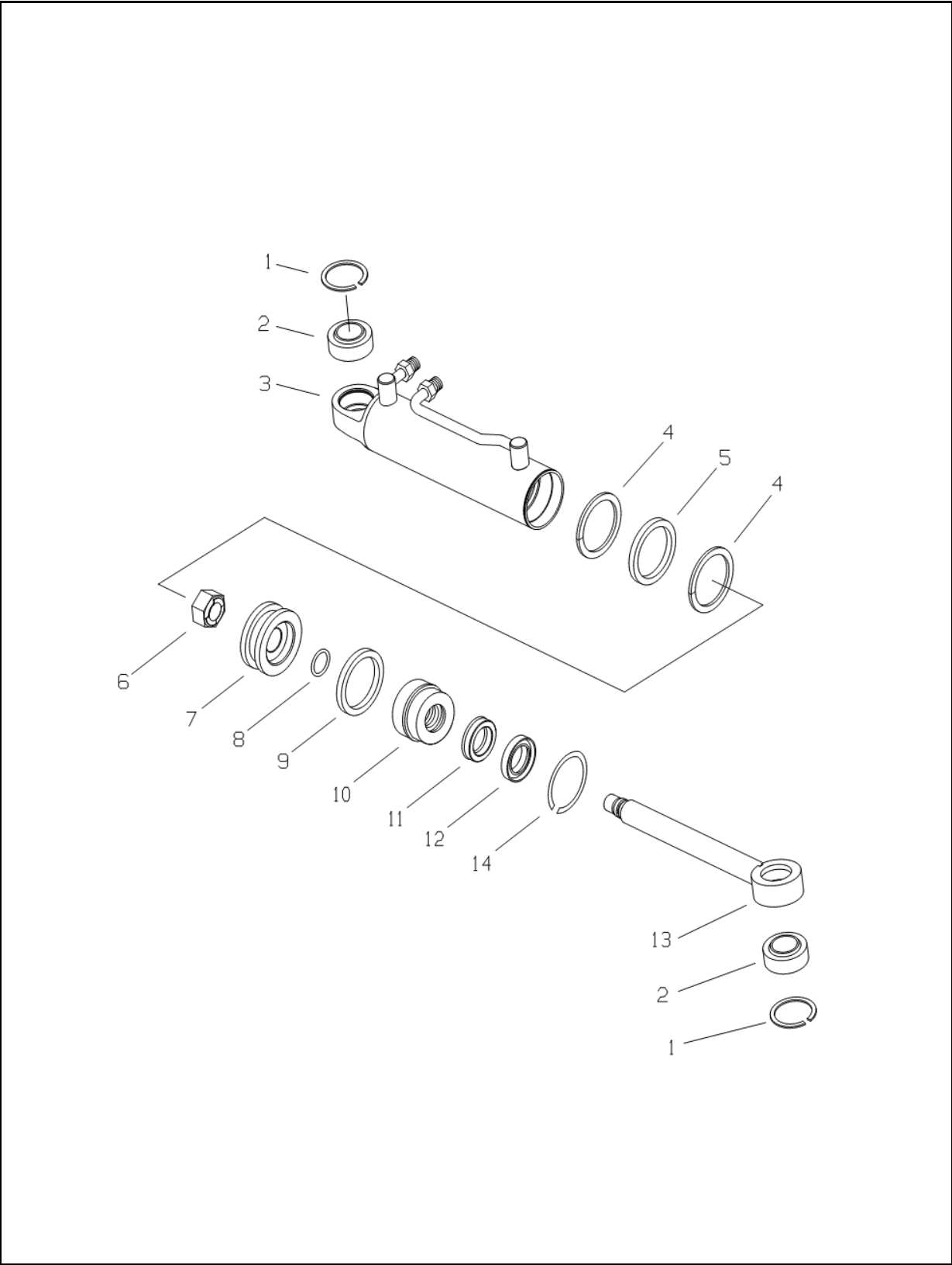
**FIG. 6-3**

| NO.  | PART NO.   | PART NAME & DESCRIPTION | QTY              |   |   | APP.NO | REM. |
|------|------------|-------------------------|------------------|---|---|--------|------|
|      |            |                         | A                | B | C |        |      |
| 1-3  | A1630579   | WHEEL ASSY, STEERING    | D380             | 1 | 1 |        |      |
| 1    | A1630580   | WHEEL, STEERING         |                  | 1 | 1 |        |      |
| 2    | A5000583   | CAP, WHEEL              |                  | 1 | 1 |        |      |
| 3    | A1981069   | DECAL, LS EMBLEM        |                  | 1 | 1 |        |      |
| 4    | S361140013 | WASHER, SPRING          | Φ24.5xΦ14.2x3.5t | 1 | 1 |        |      |
| 5    | S314140013 | NUT, HEX.               | M14xP1.5         | 1 | 1 |        |      |
| 6-10 | A1630531   | STEERING COLUMN ASSY    |                  | 1 | 1 |        |      |
| 6    | S811037001 | RING, SNAP              | D37              | 1 | 1 |        |      |
| 7    | S810020001 | RING, SNAP(S)           | D20              | 1 | 1 |        |      |
| 8    | A0869044   | BEARING, BALL           |                  | 1 | 1 |        |      |
| 9    | A1630533   | SHAFT, STEERING         |                  | 1 | 1 |        |      |
| 10   | A1630532   | COLUMN, STEERING        |                  | 1 | 1 |        |      |
| 11   | A0610260   | NUT                     | M12X1.25         | 1 | 1 |        |      |
| 12   | A1630553   | BOLT, TILTING GUIDE     |                  | 1 | 1 |        |      |
| 13   | A1630554   | ARM, TILTING LOCKING    |                  | 1 | 1 |        |      |
| 14   | A1630419   | PLATE, TILTING LOCKING  |                  | 1 | 1 |        |      |
| 15   | S306100013 | NUT                     | M10X1.25         | 1 | 1 |        |      |
| 16   | A1630534   | LEVER, TILTING LOCKING  |                  | 1 | 1 |        |      |
| 17   | A1630537   | BOLT, TILTING HINGE     |                  | 2 | 2 |        |      |
| 18   | S153102533 | BOLT, HEX.              | M10X1.25X25      | 2 | 2 |        |      |
| 19   | A1970242   | GRIP, LEVER             |                  | 1 | 1 |        |      |
|      |            |                         |                  |   |   |        |      |
|      |            |                         |                  |   |   |        |      |
|      |            |                         |                  |   |   |        |      |
|      |            |                         |                  |   |   |        |      |
|      |            |                         |                  |   |   |        |      |

# STEERING CYLINDER

FIG. 6-4

G. 630



# STEERING CYLINDER

A-NOT AVAILABLE / B-i28,i36

A-NOT AVAILABLE / B-i28,i36

**FIG. 6-4**

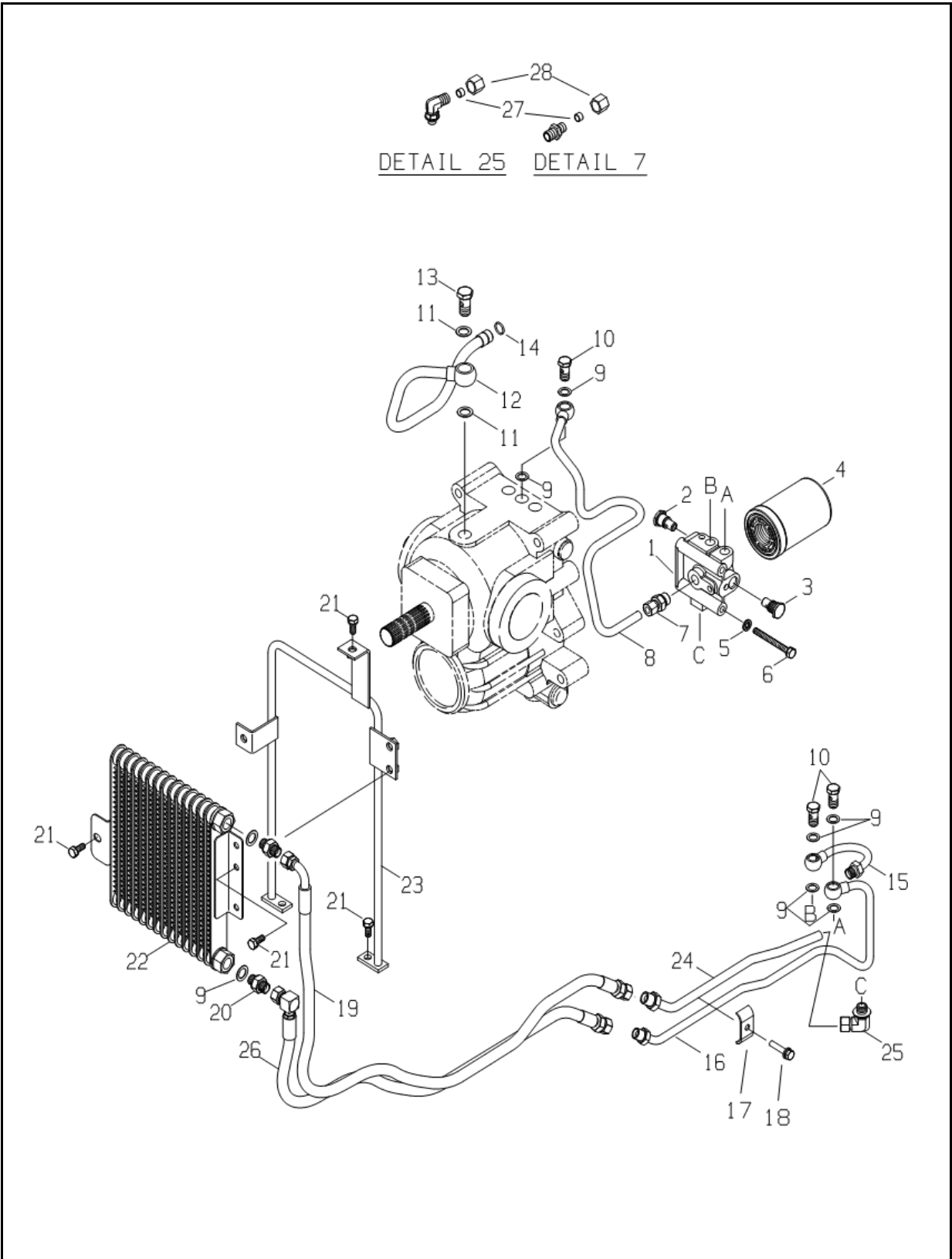
| NO.  | PART NO.   | PART NAME & DESCRIPTION |           | QTY |   |   | APP.NO | REM. |
|------|------------|-------------------------|-----------|-----|---|---|--------|------|
|      |            |                         |           | A   | B | C |        |      |
| 1~14 | A1630473   | STEERING CYLINDER       | 293~446L  | 1   | 1 |   |        |      |
| 1    | S813035001 | RING, SNAP              | Φ35       | 2   | 2 |   |        |      |
| 2    | A1630159   | BUSHING, BALL           |           | 2   | 2 |   |        |      |
| 3    | A1630474   | CYLINDER ASSY           |           | 1   | 1 |   |        |      |
| 4    | A1630480   | RING, BACK UP           | Φ45       | 2   | 2 |   |        |      |
| 5    | S801039010 | O-RING                  | D38.7×3.5 | 1   | 1 |   |        |      |
| 6    | A1630479   | NUT, LOCK               | M12×1.25  | 1   | 1 |   |        |      |
| 7    | A1630476   | PISTON, STR. CYLINDER   |           | 1   | 1 |   |        |      |
| 8    | S801014010 | O-RING (P)              | D13.8×2.4 | 1   | 1 |   |        |      |
| 9    | S801040010 | O-RING                  | D39.7×3.5 | 1   | 1 |   |        |      |
| 10   | A1630477   | SLEEVE, STR. CYLINDER   |           | 1   | 1 |   |        |      |
| 11   | A1630481   | U-PACKING               | Φ18       | 1   | 1 |   |        |      |
| 12   | A1630482   | SEAL, DUST              | Φ18       | 1   | 1 |   |        |      |
| 13   | A1630475   | ROD, STR. CYLINDER      | Φ18       | 1   | 1 |   |        |      |
| 14   | A1630478   | RING, WIRE              | Φ2        | 1   | 1 |   |        |      |
|      |            |                         |           |     |   |   |        |      |
|      |            |                         |           |     |   |   |        |      |
|      |            |                         |           |     |   |   |        |      |
|      |            |                         |           |     |   |   |        |      |
|      |            |                         |           |     |   |   |        |      |
|      |            |                         |           |     |   |   |        |      |
|      |            |                         |           |     |   |   |        |      |
|      |            |                         |           |     |   |   |        |      |



# COOLER

FIG. 6-5

G. 640



# COOLER

A-NOT AVAILABLE / B-i28,i36

B-i28,i36

**FIG. 6-5**

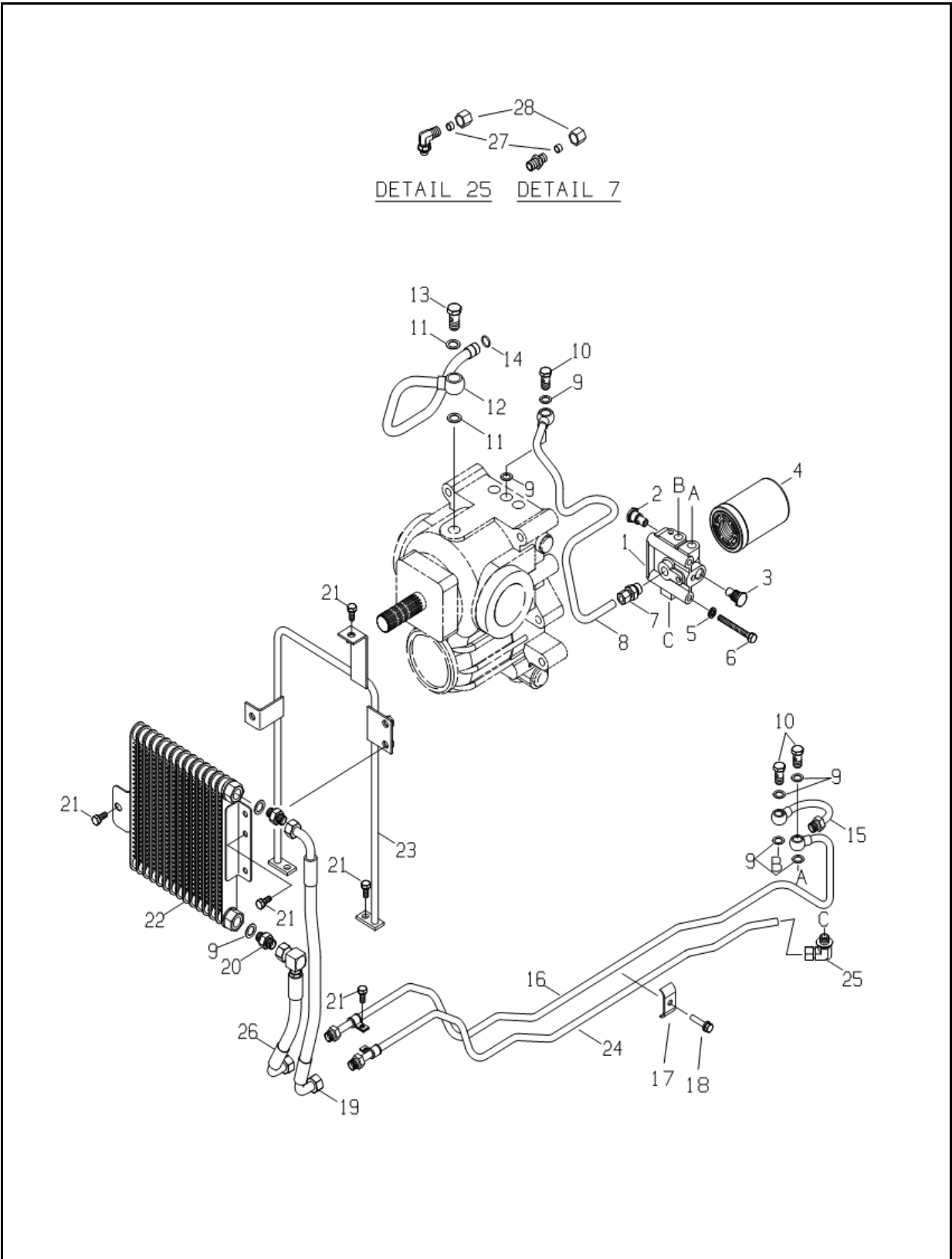
**( HST )**

| NO.   | PART NO.   | PART NAME & DESCRIPTION | QTY |   |                | APP.NO | REM. |
|-------|------------|-------------------------|-----|---|----------------|--------|------|
|       |            |                         | A   | B | C              |        |      |
| 1-3   | A1640091   | FILTER FLANGE ASSY      | *   | 1 |                |        |      |
| 1     | A1640092   | FLANGE, FILTER          | *   | 1 |                |        |      |
| 2     | A1640058   | VALVE, OIL COOLER       | *   | 1 |                |        |      |
| 3     | A1640059   | VALVE, OIL FILTER       | *   | 1 |                |        |      |
| 4     | A1640093   | FILTER, HYD.            |     |   | 1 3/8-12UNF-28 | *      | 1    |
| 5     | S361100013 | WASHER                  |     |   | M10            | *      | 2    |
| 6     | S102101243 | BOLT, HEX               |     |   | M10x1.5x120L   | *      | 2    |
| 7-8   | A1640062   | INLET PIPE SUB ASSY     |     |   |                | *      | 1    |
| 7     | A1630150   | JOINT                   |     |   | PF1/2          | *      | 1    |
| 8     | A1640061   | PIPE, INLET             |     |   | Φ12            | *      | 1    |
| 9     | A1823245   | SEAL, BONDED            |     |   |                | *      | 8    |
| 10    | A1630201   | BOLT, UNION             |     |   | PF3/8          | *      | 3    |
| 11    | A1823252   | SEAL, BONDED            |     |   |                | *      | 2    |
| 12    | A1640033   | PIPE, OUTLET            |     |   | Φ15            | *      | 1    |
| 13    | A1823161   | BOLT, EYE               |     |   | PF1/2          | *      | 1    |
| 14    | S804016010 | O-RING                  |     |   | S16            | *      | 1    |
| 15    | A1640063   | UNION, HOSE             |     |   | PF3/8          | *      | 1    |
| 16    | A1640096   | PIPE, COOLER RETURN     |     |   | Φ12            | *      | 1    |
| 17    | A5001357   | CLAMP, PIPE A           |     |   |                | *      | 1    |
| 18    | S155063033 | BOLT, HEX               |     |   | M6X1.0X30      | *      | 1    |
| 19    | A1640100   | HOSE, COOLER IN         |     |   | PF3/8          | *      | 1    |
| 20    | A1640064   | UNION, HOSE             |     |   |                | *      | 2    |
| 21    | S155082033 | BOLT, HEX               |     |   | M8x1.25x20L    | *      | 8    |
| 22    | A3180673   | COOLER                  |     |   |                | *      | 1    |
| 23    | A1640076   | SUPPORT , COOLER        |     |   |                | *      | 1    |
| 24-25 | A1640098   | COOLER INLET PIPE ASSY  |     |   |                | *      | 1    |
| 24    | A1640101   | PIPE, COOLER INLET      |     |   | Φ12            | *      | 1    |
| 25    | A1630101   | ELBOW                   |     |   | PF3/8          | *      | 1    |
| 26    | A1640099   | HOSE, COOLER OUT        |     |   | PF3/8          | *      | 1    |
| 27    | A1630169   | SLEEVE                  |     |   | Φ12            | *      | 1    |
| 28    | A1630170   | NUT                     |     |   |                | *      | 1    |
|       |            |                         |     |   |                |        |      |
|       |            |                         |     |   |                |        |      |

# COOLER

FIG. 6-5

G. 640



# COOLER

A-NOT AVAILABLE / B-i28,i36

B-i28,i36

**FIG. 6-5**

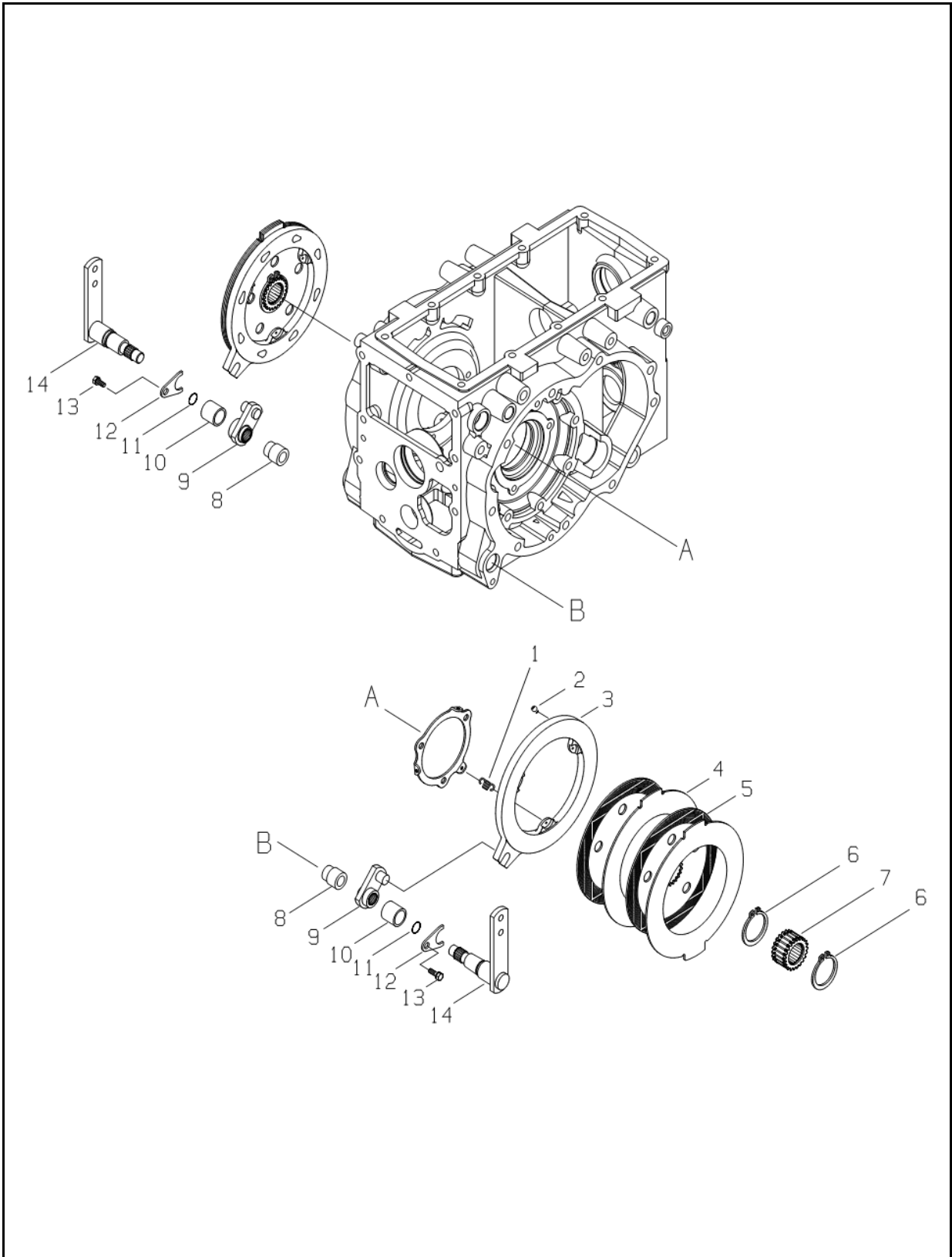
**( HST )**

| NO.   | PART NO.   | PART NAME & DESCRIPTION | QTY            |   |   | APP.NO | REM. |
|-------|------------|-------------------------|----------------|---|---|--------|------|
|       |            |                         | A              | B | C |        |      |
| 1-3   | A1640091   | FILTER FLANGE ASSY      | *              | 1 |   |        |      |
| 1     | A1640092   | FLANGE, FILTER          | *              | 1 |   |        |      |
| 2     | A1640058   | VALVE, OIL COOLER       | *              | 1 |   |        |      |
| 3     | A1640059   | VALVE, OIL FILTER       | *              | 1 |   |        |      |
| 4     | A1640093   | FILTER, HYD.            | 1 3/8-12UNF-28 | * | 1 |        |      |
| 5     | S361100013 | WASHER                  | M10            | * | 2 |        |      |
| 6     | S102101243 | BOLT, HEX               | M10x1.5x120L   | * | 2 |        |      |
| 7-8   | A1640062   | INLET PIPE SUB ASSY     |                | * | 1 |        | 28cc |
| 7     | A1630150   | JOINT                   | PF1/2          | * | 1 |        |      |
| 8     | A1640061   | PIPE, INLET             | Φ12            | * | 1 |        | 28cc |
| 9     | A1823245   | SEAL, BONDED            |                | * | 8 |        |      |
| 10    | A1630201   | BOLT, UNION             | PF3/8          | * | 3 |        |      |
| 11    | A1823252   | SEAL, BONDED            |                | * | 2 |        |      |
| 12    | A1640033   | PIPE, OUTLET            | Φ15            | * | 1 |        |      |
| 13    | A1823161   | BOLT, EYE               | PF1/2          | * | 1 |        |      |
| 14    | S804016010 | O-RING                  | S16            | * | 1 |        |      |
| 15    | A1640063   | UNION, HOSE             | PF3/8          | * | 1 |        |      |
| 16    | A1640088   | PIPE, COOLER RETURN     | Φ12            | * | 1 |        |      |
| 17    | A5001357   | CLAMP, PIPE A           |                | * | 1 |        |      |
| 18    | S155063033 | BOLT, HEX               | M6X1.0X30      | * | 1 |        |      |
| 19    | A1640079   | HOSE, COOLER IN         | PF3/8          | * | 1 |        |      |
| 20    | A1640064   | UNION, HOSE             |                | * | 2 |        |      |
| 21    | S155082033 | BOLT, HEX               | M8x1.25x20L    | * | 8 |        |      |
| 22    | A3180673   | COOLER                  |                | * | 1 |        |      |
| 23    | A1640076   | SUPPORT , COOLER        |                | * | 1 |        |      |
| 24-25 | A1640089   | COOLER INLET PIPE ASSY  |                | * | 1 |        |      |
| 24    | A1640090   | PIPE, COOLER INLET      | Φ12            | * | 1 |        |      |
| 25    | A1630101   | ELBOW                   | PF3/8          | * | 1 |        |      |
| 26    | A1640080   | HOSE, COOLER OUT        | PF3/8          | * | 1 |        |      |
| 27    | A1630169   | SLEEVE                  | Φ12            | * | 1 |        |      |
| 28    | A1630170   | NUT                     |                | * | 1 |        |      |
|       |            |                         |                |   |   |        |      |
|       |            |                         |                |   |   |        |      |

# BRAKE

FIG. 7-1

G. 650



# BRAKE

A-NOT AVAILABLE / B-i28,i36

A-NOT AVAILABLE / B-i28,i36

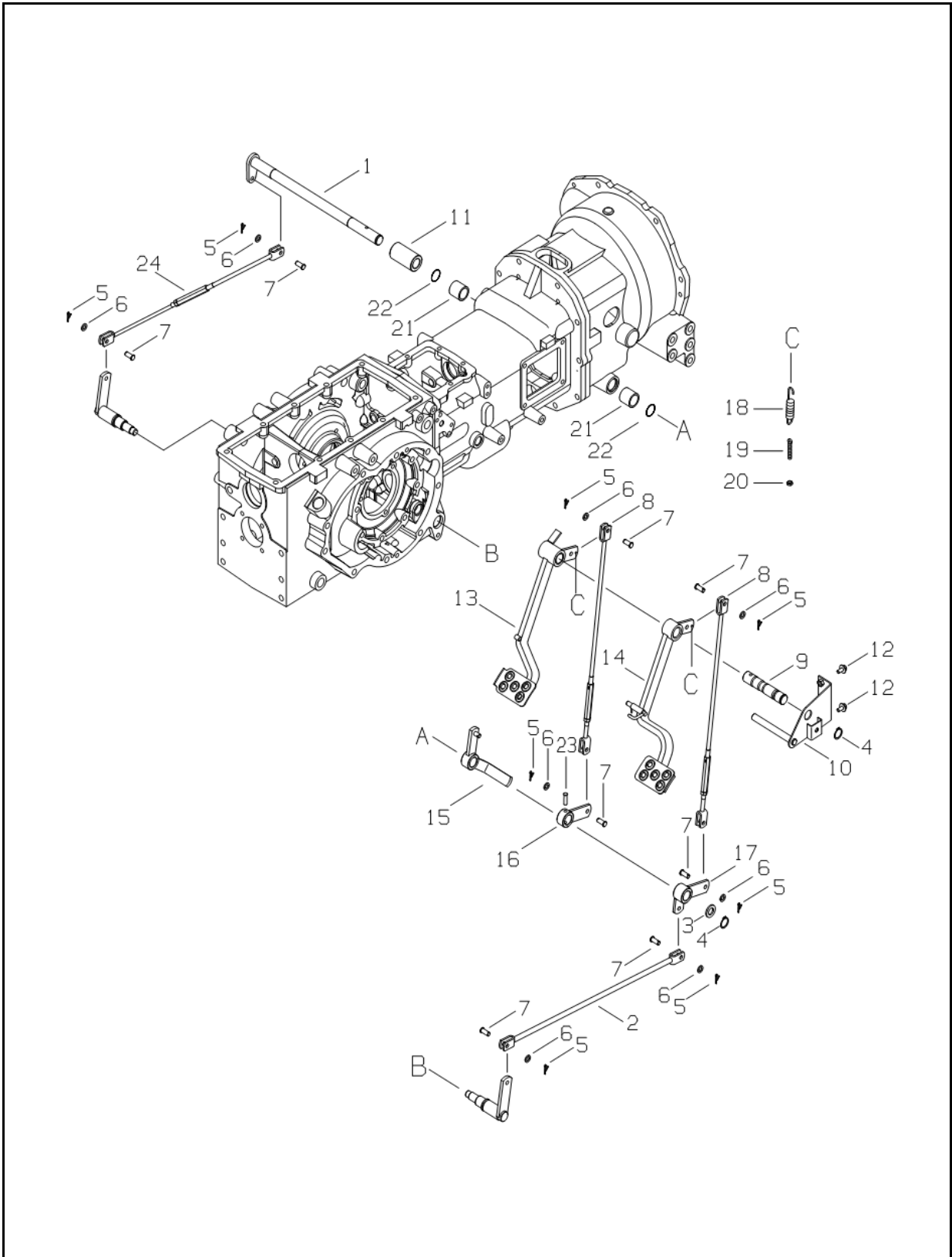
**FIG. 7-1**

| NO. | PART NO.   | PART NAME & DESCRIPTION | QTY |   |   | APP.NO | REM. |
|-----|------------|-------------------------|-----|---|---|--------|------|
|     |            |                         | A   | B | C |        |      |
| 1-7 | A1650071   | BRAKE ASS'Y(RH)         | 1   | 1 |   |        |      |
|     | A1650072   | BRAKE ASS'Y(LH)         | 1   | 1 |   |        |      |
| 1   | 3A1653010  | SPRING                  | 3   | 3 |   |        |      |
| 2   | 3A1653007  | BALL                    | 8   | 8 |   |        |      |
| 3   | A1650076   | PLATE, CAM(RH)          | 1   | 1 |   |        |      |
|     | A1650077   | PLATE, CAM(LH)          | 1   | 1 |   |        |      |
| 4   | A1650107   | PLATE, PRESSURE         | 2   | 2 |   |        |      |
| 5   | A1653063   | DISC, PAPER             | 2   | 2 |   |        |      |
| 6   | S810058001 | RING, SNAP              | 2   | 2 |   |        |      |
| 7   | A1650078   | BOSS, SPLINE            | 1   | 1 |   |        |      |
| 8   | A1650102   | BUSHING, BRAKE LEVER    | 2   | 2 |   |        |      |
| 9   | A1650079   | ARM, BRAKE INNER        | 2   | 2 |   |        |      |
| 10  | A0677815   | BUSHING, DU             | 2   | 2 |   |        |      |
| 11  | S801025010 | O-RING (P)              | 2   | 2 |   |        |      |
| 12  | A1650091   | LOCK, PLATE             | 2   | 2 |   |        |      |
| 13  | S154102033 | BOLT, HEX. W/WASHER     | 2   | 2 |   |        |      |
| 14  | A1650112   | LEVER, BRAKE            | 2   | 2 |   |        |      |
|     |            |                         |     |   |   |        |      |
|     |            |                         |     |   |   |        |      |
|     |            |                         |     |   |   |        |      |
|     |            |                         |     |   |   |        |      |
|     |            |                         |     |   |   |        |      |
|     |            |                         |     |   |   |        |      |
|     |            |                         |     |   |   |        |      |
|     |            |                         |     |   |   |        |      |

# BRAKE PEDAL

FIG. 7-2A

G. 670



# BRAKE PEDAL

A-NOT AVAILABLE / B-i28,i36

A-NOT AVAILABLE / B-i28,i36

**FIG. 7-2A**

**( MEC )**

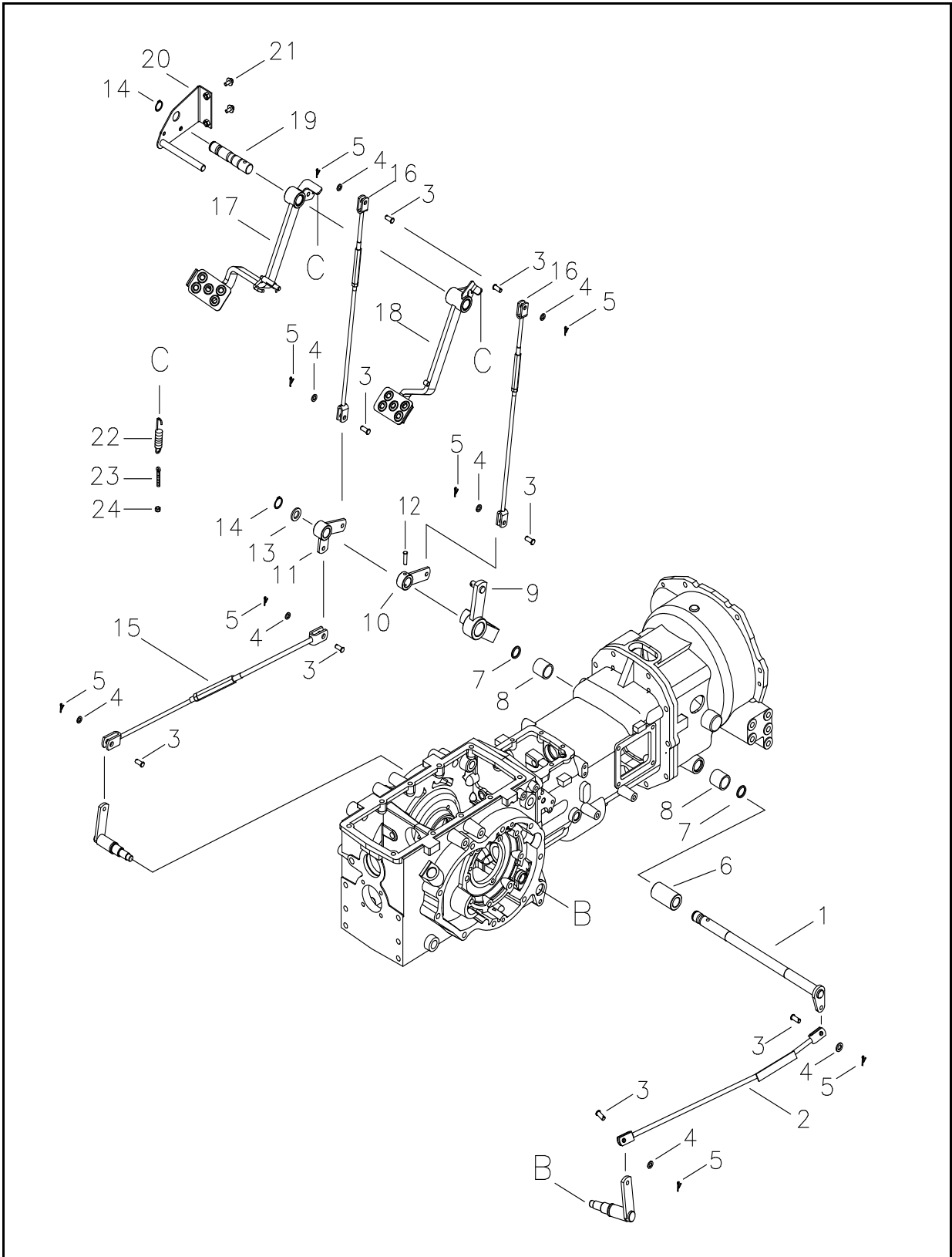
| NO. | PART NO.   | PART NAME & DESCRIPTION | QTY |   |   | APP.NO | REM. |
|-----|------------|-------------------------|-----|---|---|--------|------|
|     |            |                         | A   | B | C |        |      |
| 1   | A1670302   | SHAFT, BRAKE PEDAL      | 1   | 1 |   |        |      |
| 2   | A1670407   | BRAKE ROD               | 1   | 1 |   |        |      |
| 3   | S364240013 | WASHER, PLN.            | 1   | 1 |   |        |      |
| 4   | S810025001 | RING, SNAP              | 2   | 2 |   |        |      |
| 5   | S441252013 | PIN, SPLIT              | 8   | 8 |   |        |      |
| 6   | S364100013 | WASHER, PLN. S-RD.      | 8   | 8 |   |        |      |
| 7   | A1670118   | PIN                     | 8   | 8 |   |        |      |
| 8   | A1670307   | BRAKE ROD ASSY          | 2   | 2 |   |        |      |
| 9   | A1670311   | SHAFT, BRAKE PEDAL      | 1   | 1 |   |        |      |
| 10  | A1670310   | STOPPER, BRAKE PEDAL    | 1   | 1 |   |        |      |
| 11  | A1670303   | SPACER                  | 1   | 1 |   |        |      |
| 12  | S159082033 | BOLT, HEX.W/WASHER      | 2   | 2 |   |        |      |
| 13  | A1670362   | PEDAL, BRAKE(LH)        | 1   | 1 |   |        |      |
| 14  | A1670361   | PEDAL, BRAKE(RH)        | 1   | 1 |   |        |      |
| 15  | A1670306   | ARM, PARKING BRAKE(STD) | 1   | 1 |   |        |      |
| 16  | A1670305   | ARM, BRAKE(LH)          | 1   | 1 |   |        |      |
| 17  | A1670304   | ARM, BRAKE(RH)          | 1   | 1 |   |        |      |
| 18  | A1260112   | SPRING                  | 2   | 2 |   |        |      |
| 19  | A1260109   | BOLT, HEX.              | 2   | 2 |   |        |      |
| 20  | A0610274   | NUT, LOCK               | 2   | 2 |   |        |      |
| 21  | A1970203   | BUSHING, DU             | 2   | 2 |   |        |      |
| 22  | S801025010 | O-RING                  | 2   | 2 |   |        |      |
| 23  | S446084012 | PIN, SPRING             | 1   | 1 |   |        |      |
| 24  | A1670356   | ROD, BRAKE ASSY         | 1   | 1 |   |        |      |
|     |            |                         |     |   |   |        |      |
|     |            |                         |     |   |   |        |      |
|     |            |                         |     |   |   |        |      |
|     |            |                         |     |   |   |        |      |



# BRAKE PEDAL

FIG. 7-2B

G. 670



# BRAKE PEDAL

A-NOT AVAILABLE / B-i28,i36

A-NOT AVAILABLE / B-i28,i36

**FIG. 7-2B**

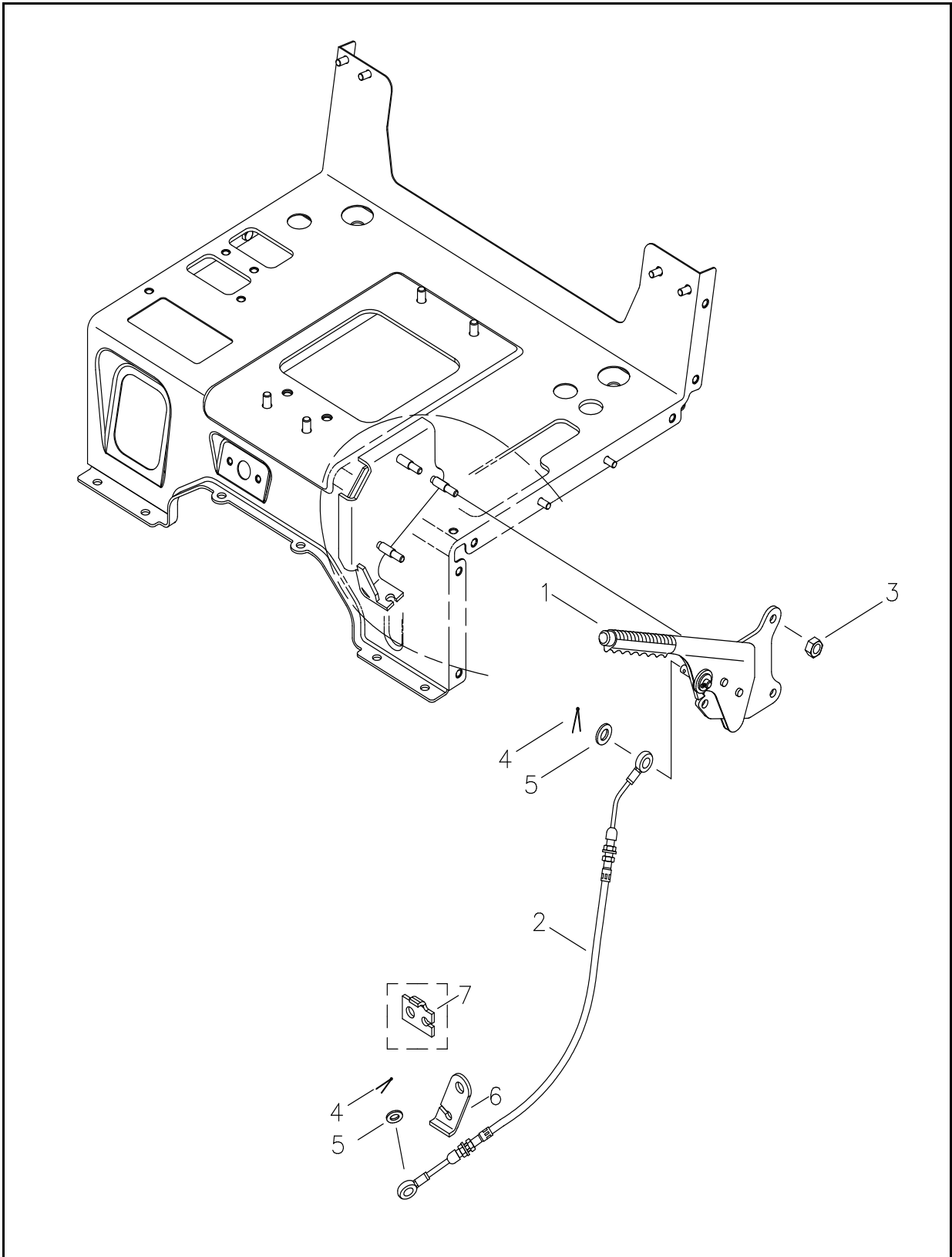
**( HST )**

| NO. | PART NO.   | PART NAME & DESCRIPTION | QTY |   |   | APP.NO | REM. |
|-----|------------|-------------------------|-----|---|---|--------|------|
|     |            |                         | A   | B | C |        |      |
| 1   | A1670302   | SHAFT, BRAKE PEDAL      | 1   | 1 |   |        |      |
| 2   | A1670410   | BRAKE ROD               | 1   | 1 |   |        |      |
| 3   | A1670118   | PIN                     | 8   | 8 |   |        |      |
| 4   | S364100013 | WASHER, PLN. S-RD.      | 8   | 8 |   |        |      |
| 5   | S441252013 | PIN, SPLIT              | 8   | 8 |   |        |      |
| 6   | A1670303   | SPACER                  | 1   | 1 |   |        |      |
| 7   | S801025010 | O-RING                  | 2   | 2 |   |        |      |
| 8   | A1970203   | BUSHING, DU             | 2   | 2 |   |        |      |
| 9   | A1670351   | ARM, PARKING BRAKE      | 1   | 1 |   |        |      |
|     | A1670340   | SPACER                  | 1   | 1 |   |        | EC   |
| 10  | A1670305   | ARM, BRAKE(LH)          | 1   | 1 |   |        |      |
| 11  | A1670320   | ARM, BRAKE(RH)          | 1   | 1 |   |        |      |
| 12  | S446084012 | PIN, SPRING             | 1   | 1 |   |        |      |
| 13  | S364240013 | WASHER, PLN.            | 1   | 1 |   |        |      |
| 14  | S810025001 | RING, SNAP              | 2   | 2 |   |        |      |
| 15  | A1670356   | ROD, BRAKE              | 1   | 1 |   |        |      |
| 16  | A1670307   | BRAKE ROD ASSY          | 2   | 2 |   |        |      |
| 17  | A1670360   | PEDAL, BRAKE(LH)        | 1   | 1 |   |        |      |
| 18  | A1670363   | PEDAL, BRAKE(RH)        | 1   | 1 |   |        |      |
| 19  | A1670311   | SHAFT, BRAKE PEDAL      | 1   | 1 |   |        |      |
| 20  | A1260099   | STOPPER, CLUTCH PEDAL   | 1   | 1 |   |        |      |
| 21  | S159082033 | BOLT, HEX, W/WASHER     | 2   | 2 |   |        |      |
| 22  | A1260112   | SPRING                  | 2   | 2 |   |        |      |
| 23  | A1260109   | BOLT, ADJUSTER          | 2   | 2 |   |        |      |
| 24  | A0610274   | NUT, LOCK               | 2   | 2 |   |        |      |
|     |            |                         |     |   |   |        |      |
|     |            |                         |     |   |   |        |      |
|     |            |                         |     |   |   |        |      |
|     |            |                         |     |   |   |        |      |

# PARKING BRAKE

FIG. 7-3A

G. 670



# PARKING BRAKE

A-NOT AVAILABLE / B-i28,i36

A-NOT AVAILABLE / B-i28,i36

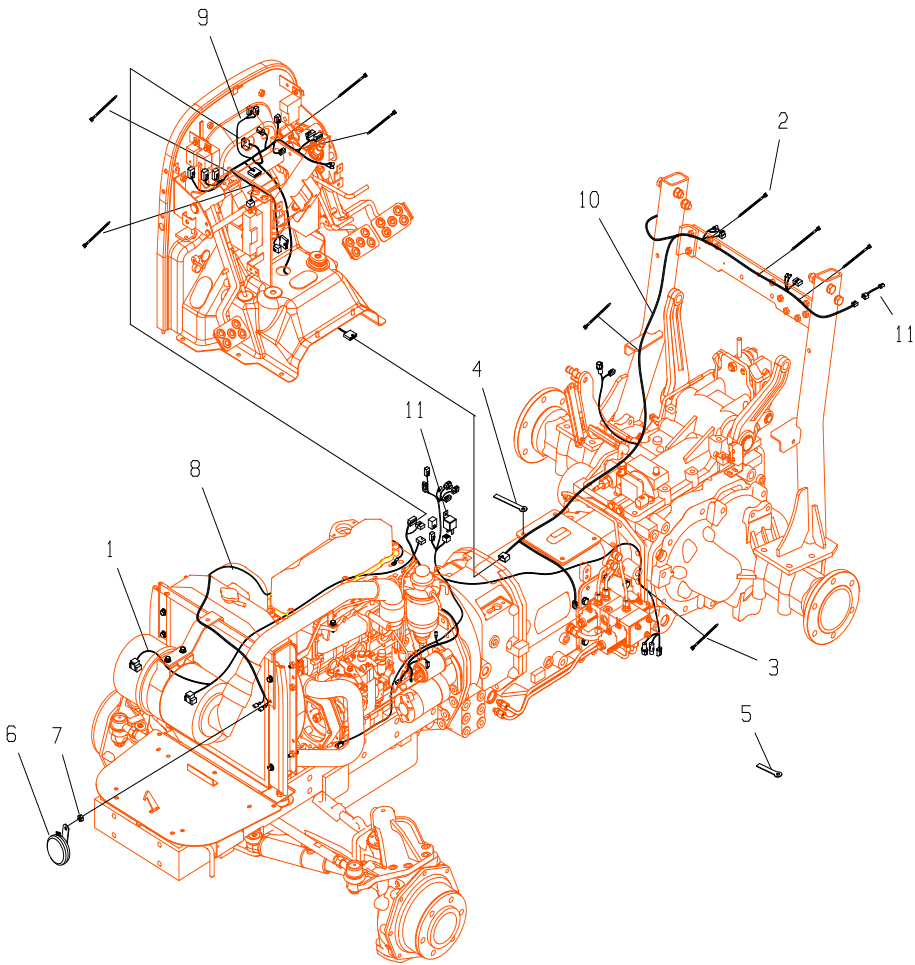
**FIG. 7-3A**

| NO. | PART NO.   | PART NAME & DESCRIPTION | QTY |   |   | APP.NO | REM. |
|-----|------------|-------------------------|-----|---|---|--------|------|
|     |            |                         | A   | B | C |        |      |
| 1   | A1670078   | PARKING BRAKE ASSY      | 1   | 1 |   |        |      |
| 2   | A1670269   | WIRE, PARKING BRAKE     | 1   | 1 |   |        |      |
|     | A1670222   | WIRE, PARKING BRAKE     | 1   | 1 |   |        | HST  |
| 3   | S345080013 | NUT, FLANGE B-TY.       | 3   | 3 |   |        |      |
| 4   | S441252013 | PIN, SPLIT              | 2   | 2 |   |        |      |
| 5   | S364100013 | WASHER, PLN. S-RD.      | 2   | 2 |   |        |      |
| 6   | A1670390   | PLATE, P/BRAKE WIRE     | 1   | 1 |   |        |      |
| 7   | A1670352   | BRACKET, P/BRAKE WIRE   | 1   | 1 |   |        | HST  |
|     |            |                         |     |   |   |        |      |
|     |            |                         |     |   |   |        |      |
|     |            |                         |     |   |   |        |      |
|     |            |                         |     |   |   |        |      |
|     |            |                         |     |   |   |        |      |
|     |            |                         |     |   |   |        |      |
|     |            |                         |     |   |   |        |      |
|     |            |                         |     |   |   |        |      |
|     |            |                         |     |   |   |        |      |
|     |            |                         |     |   |   |        |      |
|     |            |                         |     |   |   |        |      |
|     |            |                         |     |   |   |        |      |

# ELECTRICAL WIRING

FIG. 8-1A

G. 730



# ELECTRICAL WIRING

A-NOT AVAILABLE / B-i28,i36

A-NOT AVAILABLE / B-i28,i36

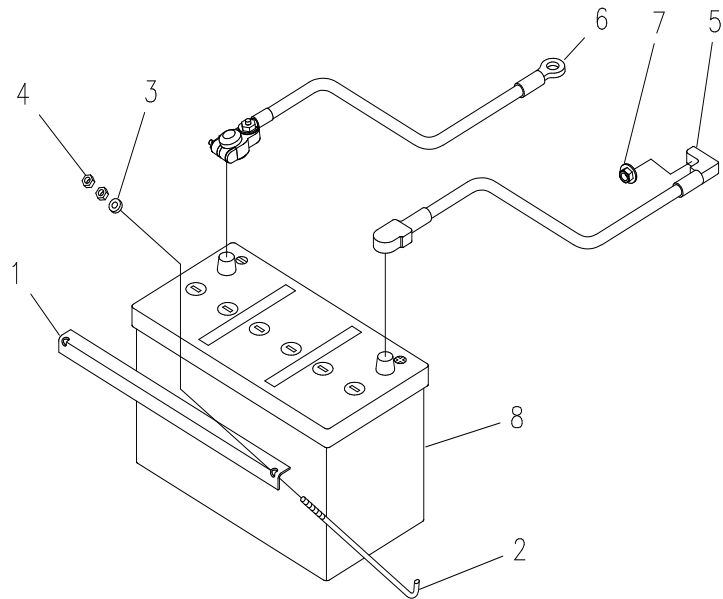
**FIG. 8-1A**

| NO. | PART NO.   | PART NAME & DESCRIPTION | QTY |   |   | APP.NO | REM. |
|-----|------------|-------------------------|-----|---|---|--------|------|
|     |            |                         | A   | B | C |        |      |
| 1   | A1730152   | HARNESS, FRONT LIGHT    | 1   | 1 |   |        |      |
| 2   | A0640009   | BAND, WIRE              | 5   | 5 |   |        |      |
| 3   | A0640028   | BAND, WIRE              | 3   | 3 |   |        |      |
| 4   | A0640103   | CLAMP                   | 1   | 1 |   |        |      |
| 5   | A0640015   | CLAMP                   | 4   | 4 |   |        |      |
| 6   | A5002054   | HORN                    | 1   | 1 |   |        |      |
| 7   | S313100013 | NUT, HEX                | 1   | 1 |   |        |      |
| 8   | A1730213   | HARNESS, ENGINE         | 1   | * |   |        | L3A  |
|     | A1730212   | HARNESS, ENGINE         | *   | 1 |   |        | S4L  |
| 9   | A1730210   | HARNESS, MAIN           | 1   | * |   |        | MEC  |
|     | A1730215   | HARNESS, MAIN (HST)     | *   | 1 |   |        | ASAE |
|     | A1730259   | HARNESS, MAIN (HST)     | 1   | 1 |   |        | EC   |
| 10  | A1730214   | HARNESS, REAR           | 1   | * |   |        | MEC  |
|     | A1730216   | HARNESS, REAR           | *   | 1 |   |        | HST  |
| 11  | A1730220   | WIRE, LAMP              | 2   | 2 |   |        | EC   |
|     |            |                         |     |   |   |        |      |
|     |            |                         |     |   |   |        |      |
|     |            |                         |     |   |   |        |      |
|     |            |                         |     |   |   |        |      |
|     |            |                         |     |   |   |        |      |
|     |            |                         |     |   |   |        |      |
|     |            |                         |     |   |   |        |      |
|     |            |                         |     |   |   |        |      |
|     |            |                         |     |   |   |        |      |

# BATTERY

FIG. 8-2

G. 740



# BATTERY

A-NOT AVAILABLE / B-i28,i36

A-NOT AVAILABLE / B-i28,i36

**FIG. 8-2**

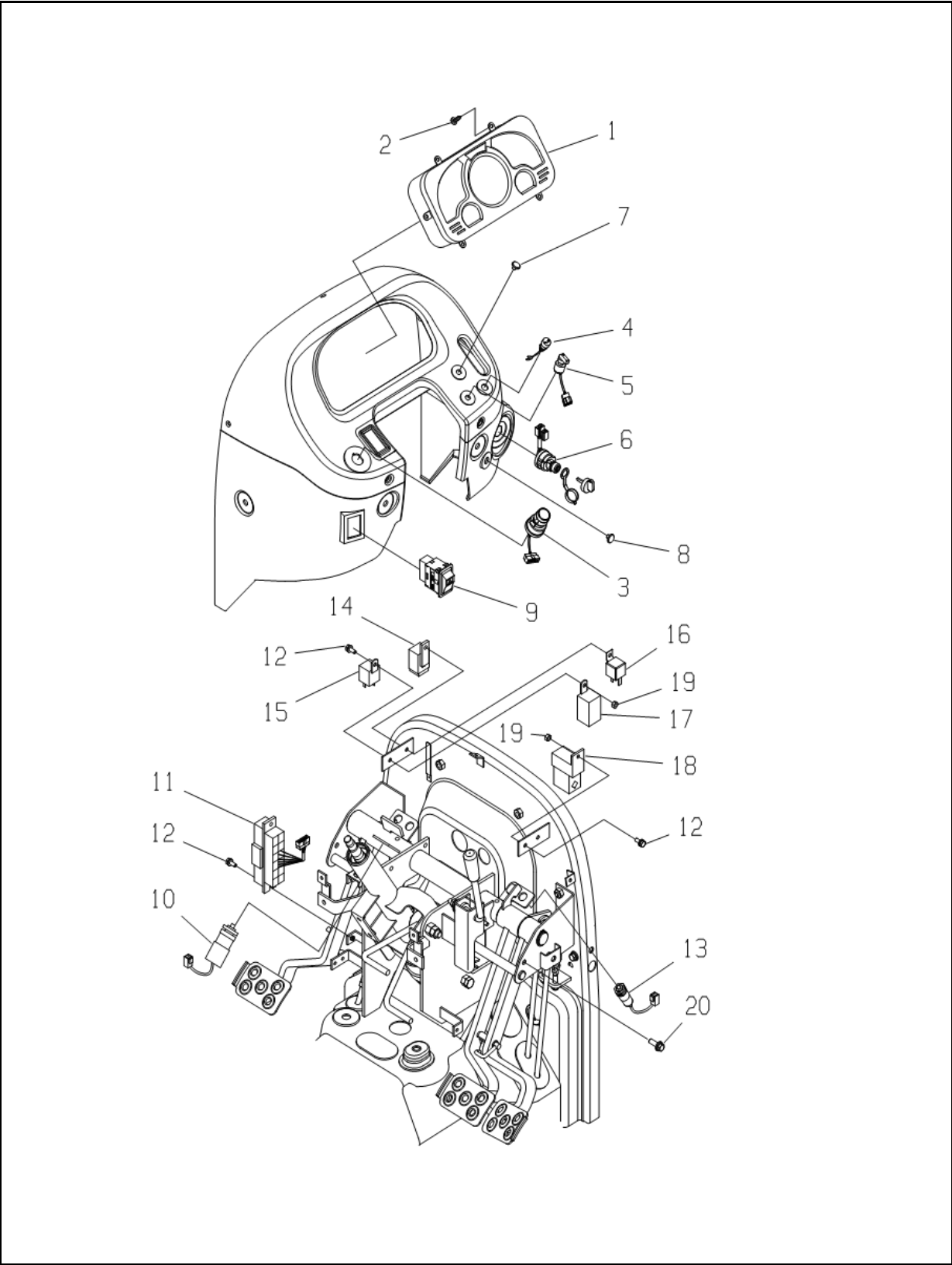
| NO. | PART NO.   | PART NAME & DESCRIPTION |          | QTY |   |   | APP.NO | REM. |
|-----|------------|-------------------------|----------|-----|---|---|--------|------|
|     |            |                         |          | A   | B | C |        |      |
| 1   | A1740003   | CLAMP, BATTERY          |          | 1   | 1 |   |        |      |
| 2   | A1741021   | ROD, BATTERY CLAMP      |          | 2   | 2 |   |        |      |
| 3   | S363060013 | WASHER, PLAIN           | M6       | 2   | 2 |   |        |      |
| 4   | S305060013 | NUT, HEX                | M6x1.0P  | 4   | 4 |   |        |      |
| 5   | A1740020   | CABLE, BATTERY (+) POS. |          | 1   | 1 |   |        |      |
| 6   | A1740030   | CABLE, BATTERY (-) NEG. |          | 1   | 1 |   |        |      |
| 7   | S345080013 | NUT, FLANGE B-TY.       | M8x1.25P | 1   | 1 |   |        |      |
| 8   | A1740002   | BATTERY, MF             | 12V-80AH | 1   | 1 |   |        |      |
|     | A1740034   | BATTERY, MF             | 12V-64AH | 1   | 1 |   |        |      |
|     |            |                         |          |     |   |   |        |      |
|     |            |                         |          |     |   |   |        |      |
|     |            |                         |          |     |   |   |        |      |
|     |            |                         |          |     |   |   |        |      |
|     |            |                         |          |     |   |   |        |      |
|     |            |                         |          |     |   |   |        |      |
|     |            |                         |          |     |   |   |        |      |
|     |            |                         |          |     |   |   |        |      |
|     |            |                         |          |     |   |   |        |      |
|     |            |                         |          |     |   |   |        |      |



# INSTRUMENT PANEL

FIG. 8-3A-1

G. 750



# INSTRUMENT PANEL

A-NOT AVAILABLE / B-i28,i36

A-NOT AVAILABLE / B-i28,i36

**FIG. 8-3A-1**

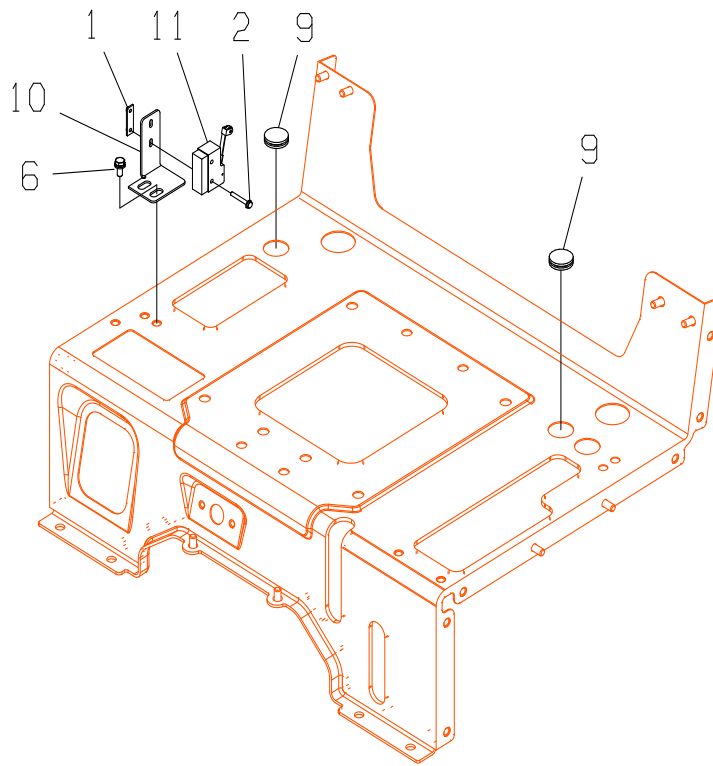
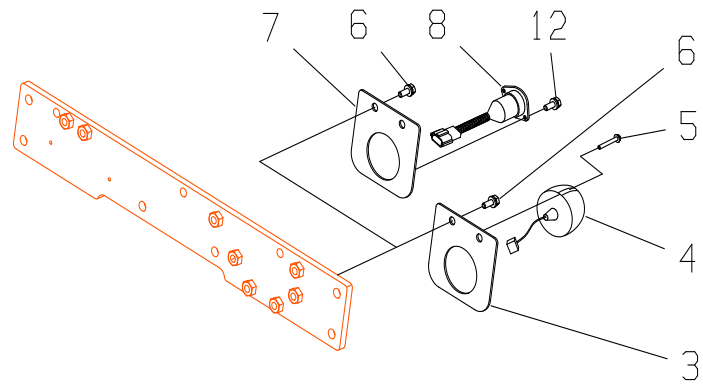
**( MEC )**

| NO. | PART NO.   | PART NAME & DESCRIPTION | QTY |   |   | APP.NO | REM. |
|-----|------------|-------------------------|-----|---|---|--------|------|
|     |            |                         | A   | B | C |        |      |
| 1   | A1750325   | METER PANEL ASSY        | 1   | * |   |        |      |
|     | A1750279   | METER PANEL ASSY        | *   | 1 |   |        |      |
| 2   | S237401611 | SCREW, TP.CRS.TRUSS     | 6   | 6 |   |        |      |
| 3   | A1750281   | SWITCH, COMBI           | 1   | 1 |   |        |      |
| 4   | A1750282   | SWITCH, HORN            | 1   | 1 |   |        |      |
| 5   | A1750152   | SWITCH, PTO SELLECTOR   | 1   | 1 |   |        |      |
| 6   | A1750150   | KEY SWITCH ASSY         | 1   | 1 |   |        |      |
| 7   | A0710062   | CAP                     | 1   | 1 |   |        |      |
| 8   | A1750230   | CAP, RUBBER             | 1   | 1 |   |        |      |
| 9   | A1750161   | SWITCH, EMERGENCY       | 1   | 1 |   |        |      |
| 10  | A1750122   | SWITCH, START/PTO       | 1   | 1 |   |        |      |
| 11  | A1750225   | FUSE BOX ASSY           | 1   | 1 |   |        |      |
| 12  | S155061633 | BOLT, HEX               | 5   | 5 |   |        |      |
| 13  | A0740010   | SWITC, BRAKE            | 1   | 1 |   |        |      |
| 14  | Q1800018   | RELAY, START            | 1   | 1 |   |        |      |
| 15  | Q1800024   | RELAY                   | 1   | * |   |        |      |
| 16  | Q1800023   | RELAY, GLOW             | 1   | 1 |   |        |      |
| 17  | Q1800017   | TIMER, GLOW             | 1   | 1 |   |        |      |
| 18  | A30G0005   | RELAY                   | 1   | 1 |   |        |      |
|     | A1750326   | FLASHER                 | 1   | 1 |   |        | EC   |
| 19  | S305060013 | NUT, HEX                | 3   | 3 |   |        |      |
| 20  | S155082533 | BOLT, HEX               | 2   | 2 |   |        |      |
|     |            |                         |     |   |   |        |      |
|     |            |                         |     |   |   |        |      |
|     |            |                         |     |   |   |        |      |
|     |            |                         |     |   |   |        |      |
|     |            |                         |     |   |   |        |      |
|     |            |                         |     |   |   |        |      |

# ELECTRIC SWITCH

FIG. 8-3A-2

G. 750



# ELECTRIC SWITCH

A-NOT AVAILABLE / B-i28,i36

A-NOT AVAILABLE / B-i28,i36

**FIG. 8-3A-2**

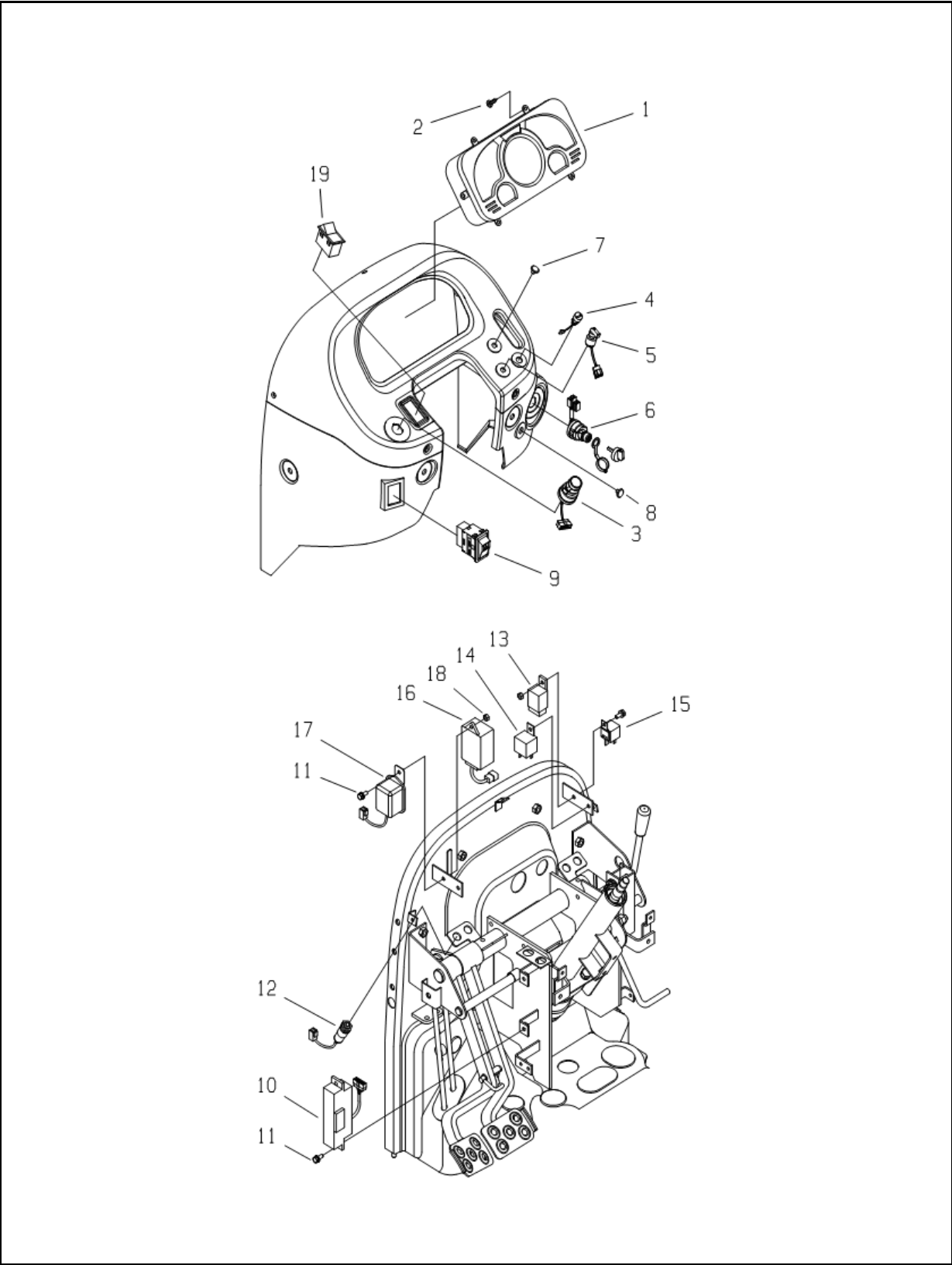
**( MEC )**

| NO. | PART NO.   | PART NAME & DESCRIPTION |             | QTY |   |   | APP.NO | REM. |
|-----|------------|-------------------------|-------------|-----|---|---|--------|------|
|     |            |                         |             | A   | B | C |        |      |
| 1   | A1750104   | PLATE                   |             | 1   | 1 |   |        |      |
| 2   | S227403011 | SCREW, W/SPR.           | M4x0.7x30L  | 2   | 2 |   |        |      |
| 3   | A1750288   | BRACKET, 7-POLE         |             | 1   | 1 |   |        |      |
| 4   | A1730144   | 7-POLE CONNECTOR ASS'Y  |             | 1   | 1 |   |        |      |
| 5   | S226503511 | SCREW                   | M5x0.8x35L  | 3   | 3 |   |        |      |
| 6   | S155082533 | BOLT, HEX               | M8x1.25x25L | 4   | 4 |   |        |      |
| 7   | A1750289   | BRACKET, 7-POLE         |             | 1   | 1 |   |        | ASAE |
| 8   | A1750171   | 7-POLE CONNECTOR ASS'Y  |             | 1   | 1 |   |        | ASAE |
| 9   | A1970243   | CAP, RUBBER             |             | 2   | 2 |   |        |      |
| 10  | A1750297   | BRACKET, PTO SWITCH     |             | 1   | 1 |   |        |      |
| 11  | A1750229   | SWITCH, PTO LEVER       |             | 1   | 1 |   |        |      |
| 12  | S155081633 | BOLT, HEX               | M8x1.25x16L | 2   | 2 |   |        | ASAE |
|     |            |                         |             |     |   |   |        |      |
|     |            |                         |             |     |   |   |        |      |
|     |            |                         |             |     |   |   |        |      |
|     |            |                         |             |     |   |   |        |      |
|     |            |                         |             |     |   |   |        |      |
|     |            |                         |             |     |   |   |        |      |
|     |            |                         |             |     |   |   |        |      |
|     |            |                         |             |     |   |   |        |      |

# INSTRUMENT PANEL

FIG. 8-3B-1

G. 750



# INSTRUMENT PANEL

A-NOT AVAILABLE / B-i28,i36

A-NOT AVAILABLE / B-i28,i36

**FIG. 8-3B-1**

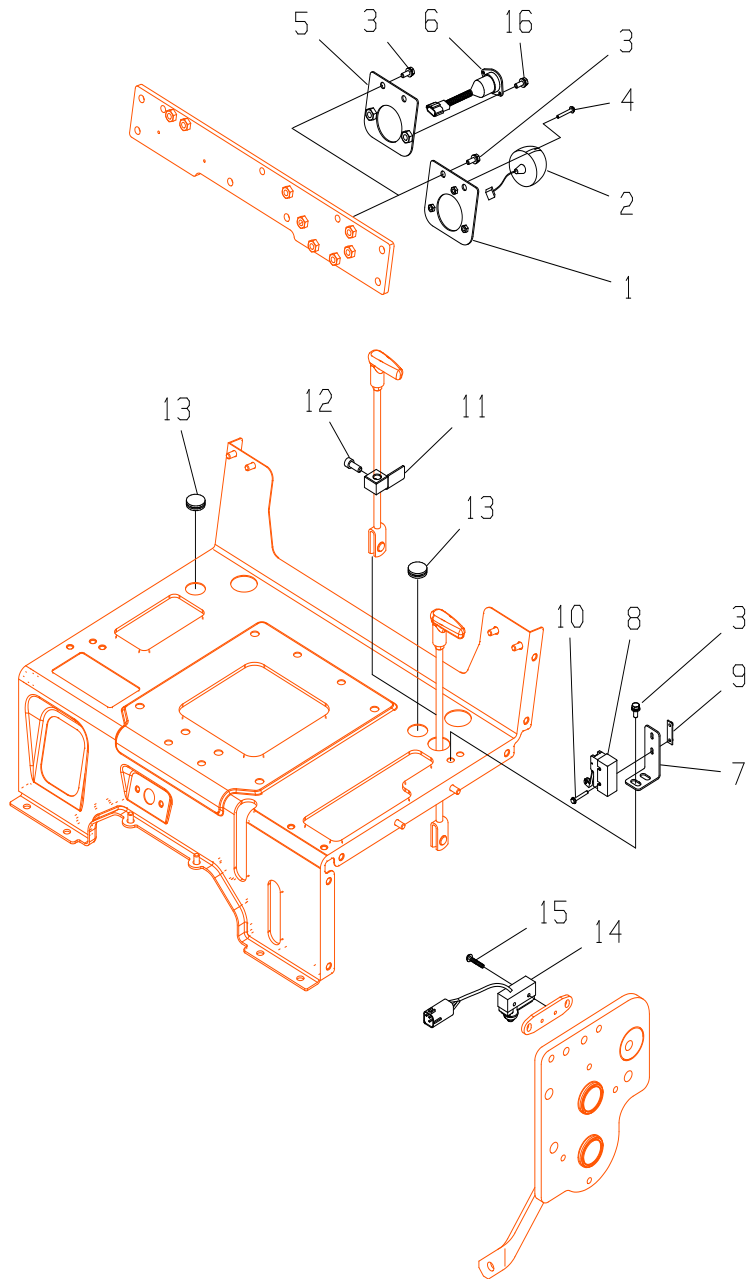
**( HST )**

| NO. | PART NO.   | PART NAME & DESCRIPTION | QTY |   |   | APP.NO | REM. |
|-----|------------|-------------------------|-----|---|---|--------|------|
|     |            |                         | A   | B | C |        |      |
| 1   | A1750325   | METER PANEL ASSY        | 1   | * |   |        |      |
|     | A1750279   | METER PANEL ASSY        | *   | 1 |   |        |      |
| 2   | S237401611 | SCREW, TP.CRS.TRUSS     | 6   | 6 |   |        |      |
| 3   | A1750281   | SWITCH, COMBI           | 1   | 1 |   |        |      |
| 4   | A1750282   | SWITCH, HORN            | 1   | 1 |   |        |      |
| 5   | A1750152   | SWITCH, PTO SELLECTOR   | 1   | 1 |   |        |      |
| 6   | A1750150   | KEY SWITCH ASSY         | 1   | 1 |   |        |      |
| 7   | A0710062   | CAP                     | 1   | 1 |   |        |      |
| 8   | A1750230   | CAP, RUBBER             | 1   | 1 |   |        |      |
| 9   | A1750161   | SWITCH, EMERGENCY       | 1   | 1 |   |        |      |
| 10  | A1750225   | FUSE BOX ASSY           | 1   | 1 |   |        |      |
| 11  | S155061633 | BOLT, HEX               | 5   | 5 |   |        |      |
| 12  | A0740010   | SWITC, BRAKE            | 2   | 2 |   |        |      |
| 13  | Q1800018   | RELAY, START            | 1   | 1 |   |        |      |
| 14  | Q1800024   | RELAY                   | 1   | * |   |        |      |
| 15  | Q1800023   | RELAY, GLOW             | 1   | 1 |   |        |      |
| 16  | A1750283   | RELAY, HST              | 1   | 1 |   |        |      |
| 17  | A1750284   | FLASHER                 | 1   | 1 |   |        |      |
|     | A1750251   | FLASHER                 | 1   | 1 |   |        | EC   |
| 18  | S305060013 | NUT, HEX                | 3   | 3 |   |        |      |
| 19  | A1750285   | SWITCH, CRUISE          | 1   | 1 |   |        |      |
|     |            |                         |     |   |   |        |      |
|     |            |                         |     |   |   |        |      |
|     |            |                         |     |   |   |        |      |
|     |            |                         |     |   |   |        |      |
|     |            |                         |     |   |   |        |      |

# ELECTRIC SWITCH

FIG. 8-3B-2

G. 750



# ELECTRIC SWITCH

A-NOT AVAILABLE / B-i28,i36

A-NOT AVAILABLE / B-i28,i36

**FIG. 8-3B-2**

**( HST )**

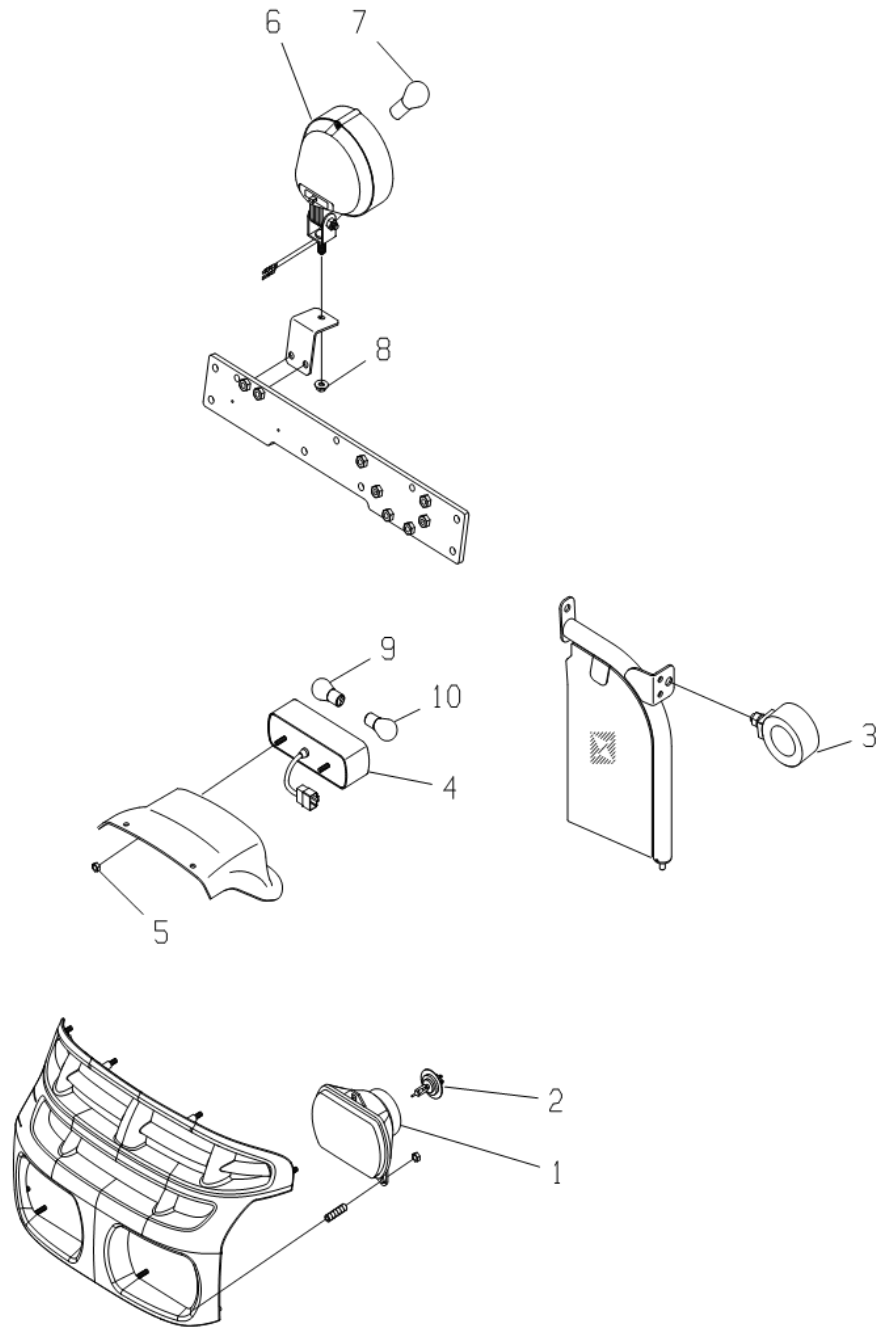
| NO. | PART NO.   | PART NAME & DESCRIPTION | QTY |   |   | APP.NO | REM.  |
|-----|------------|-------------------------|-----|---|---|--------|-------|
|     |            |                         | A   | B | C |        |       |
| 1   | A1750288   | BRACKET, 7-POLE         | 1   | 1 |   |        |       |
| 2   | A1730225   | 7-POLE CONNECTOR ASS'Y  | 1   | 1 |   |        |       |
| 3   | S155082533 | BOLT, HEX               |     |   |   |        |       |
| 4   | S226503511 | SCREW                   |     |   |   |        |       |
| 5   | A1750289   | BRACKET, 7-POLE         | 1   | 1 |   |        | ASAE  |
| 6   | A1750171   | 7-POLE CONNECTOR ASS'Y  | 1   | 1 |   |        | ASAE  |
| 7   | A1750287   | BRACKET, MID PTO SW.    | 1   | 1 |   |        | M/PTO |
| 8   | A1750300   | SWITCH, MICRO           | 1   | 1 |   |        | M/PTO |
| 9   | A1750104   | PLATE                   | 1   | 1 |   |        | M/PTO |
| 10  | S227403011 | SCREW, W/SPR.           | 2   | 2 |   |        | M/PTO |
| 11  | A1750286   | BRACKET, CONTACT SW.    | 1   | 1 |   |        | M/PTO |
| 12  | S202081211 | SCREW, SET. SOC.        | 1   | 1 |   |        | M/PTO |
| 13  | A1970243   | CAP, RUBBER             | 1   | 1 |   |        |       |
| 14  | A1750227   | SWITCH, NEUTRAL         | 1   | 1 |   |        |       |
| 15  | S227402511 | SCREW, W/SPR.           | 2   | 2 |   |        |       |
| 16  | S155081633 | BOLT, HEX               | 2   | 2 |   |        | ASAE  |
|     |            |                         |     |   |   |        |       |
|     |            |                         |     |   |   |        |       |
|     |            |                         |     |   |   |        |       |
|     |            |                         |     |   |   |        |       |
|     |            |                         |     |   |   |        |       |
|     |            |                         |     |   |   |        |       |
|     |            |                         |     |   |   |        |       |



# LAMP

FIG. 8-4A

G. 760



# LAMP

A-NOT AVAILABLE / B-i28,i36

A-NOT AVAILABLE / B-i28,i36

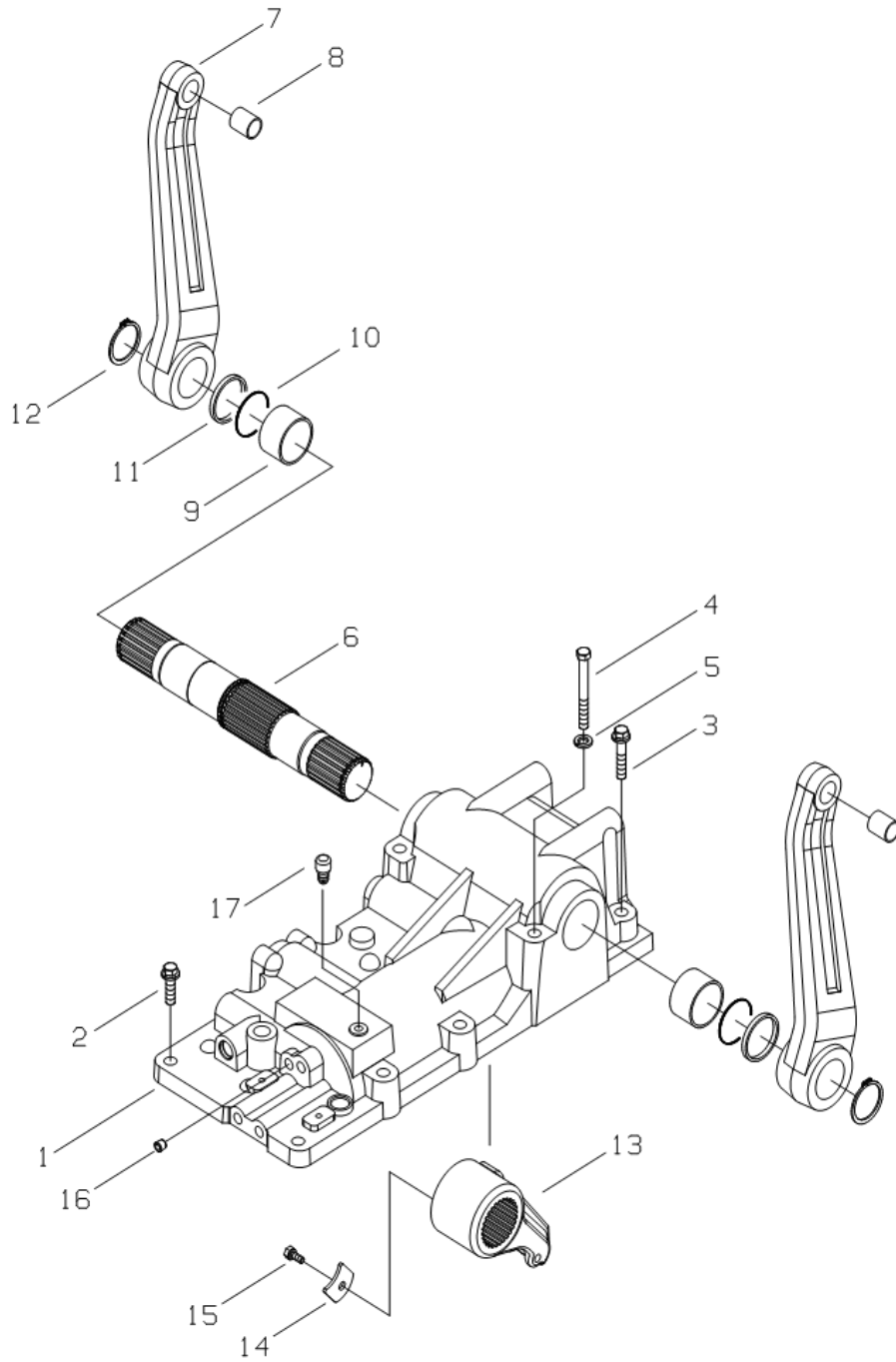
**FIG. 8-4A**

| NO. | PART NO.   | PART NAME & DESCRIPTION |             | QTY |   |   | APP.NO | REM. |
|-----|------------|-------------------------|-------------|-----|---|---|--------|------|
|     |            |                         |             | A   | B | C |        |      |
| 1   | A1760044   | HEAD LAMP               |             | 2   | 2 |   |        |      |
| 2   | A1760048   | BULB                    | 12V, 40/45W | 2   | 2 |   |        |      |
| 3   | A1760068   | LAMP, TURN              |             | 2   | 2 |   |        |      |
| 4   | A1760026   | COMBI LAMP ASSY (RH)    |             | 1   | 1 |   |        |      |
|     | A1760027   | COMBI LAMP ASSY (LH)    |             | 1   | 1 |   |        |      |
| 5   | S305060013 | NUT, HEX                | M6x1.0P     | 4   | 4 |   |        |      |
| 6   | A1760028   | LAMP, WORKING           |             | 1   | 1 |   |        |      |
| 7   | A1760043   | BULB                    | 12V/23W     | 1   | 1 |   |        |      |
| 8   | S313080013 | NUT, HEX                | M8x1.25P    | 1   | 1 |   |        |      |
| 9   | A1760042   | BULB                    | 12V, 8W     | 2   | 2 |   |        |      |
| 10  | A1760016   | BULB                    | 12V, 21/5W  | 2   | 2 |   |        |      |
|     |            |                         |             |     |   |   |        |      |
|     |            |                         |             |     |   |   |        |      |
|     |            |                         |             |     |   |   |        |      |
|     |            |                         |             |     |   |   |        |      |
|     |            |                         |             |     |   |   |        |      |
|     |            |                         |             |     |   |   |        |      |
|     |            |                         |             |     |   |   |        |      |
|     |            |                         |             |     |   |   |        |      |

# HYDRAULIC HOUSING

FIG. 9-1B

G. 820



# HYDRAULIC HOUSING

A-NOT AVAILABLE / B-i28,i36

A-NOT AVAILABLE / B-i28,i36

**FIG. 9-1B**

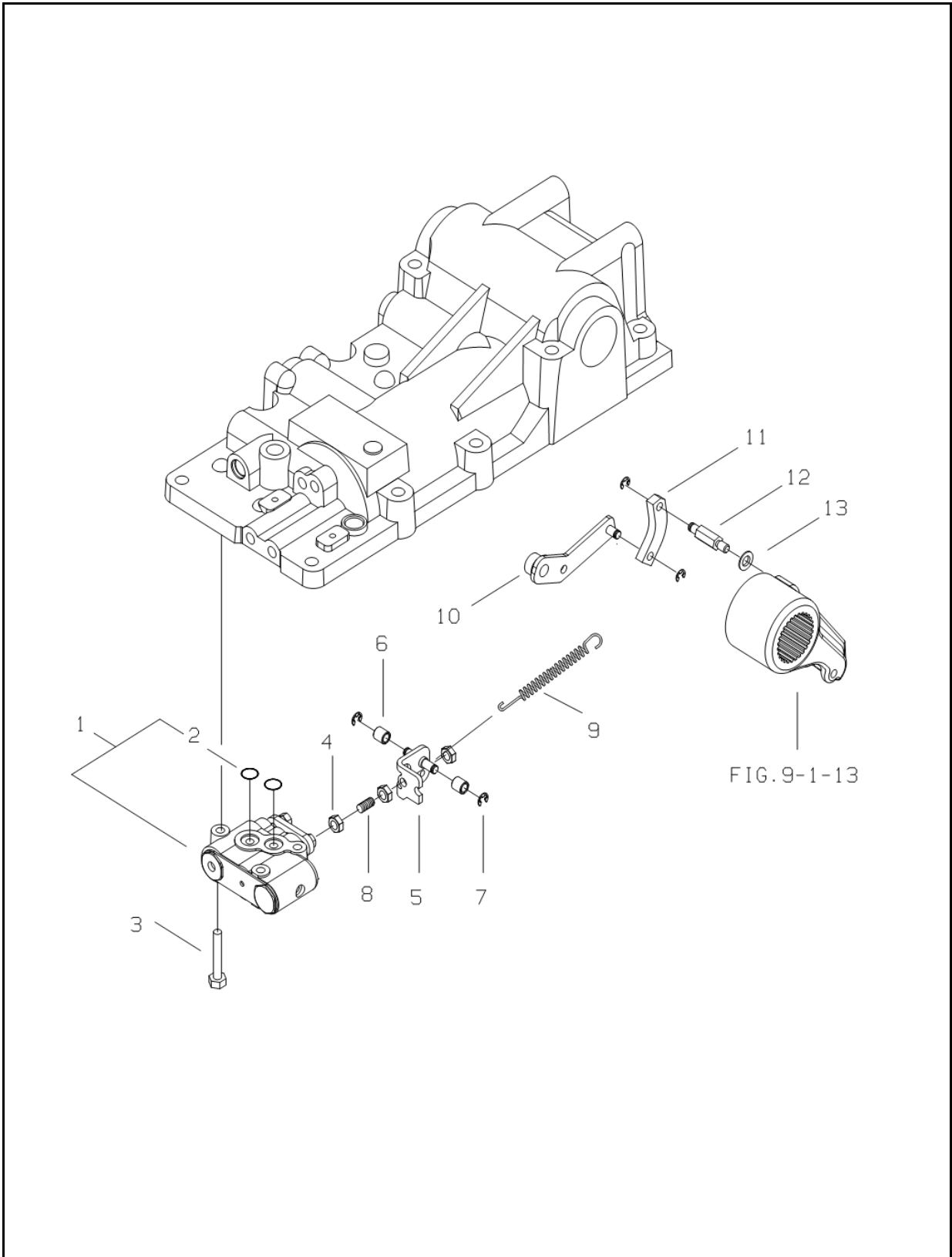
**( W/DRAFT )**

| NO. | PART NO.   | PART NAME & DESCRIPTION          | QTY |   |   | APP.NO | REM. |
|-----|------------|----------------------------------|-----|---|---|--------|------|
|     |            |                                  | A   | B | C |        |      |
| 1   | A1820055   | HOUSING, HYD.                    | 1   | 1 |   |        |      |
| 2   | S153124033 | BOLT, HEX.<br>M12X1.75X40        | 4   | 4 |   |        |      |
| 3   | S153126033 | BOLT, HEX.<br>M12X1.75X60        | 4   | 4 |   |        |      |
| 4   | S102121143 | BOLT, HEX.<br>M12X1.75X110       | 2   | 2 |   |        |      |
| 5   | S361120013 | WASHER, SPRING<br>Φ21.5xΦ12.2x3t | 2   | 2 |   |        |      |
| 6   | A1821038   | SHAFT, HYD. LIFT                 | 1   | 1 |   |        |      |
| 7   | A1821040   | ARM, LIFT                        | 2   | 2 |   |        |      |
| 8   | 3A1821007  | BUSHING, DU                      | 2   | 2 |   |        |      |
| 9   | 3A1821005  | BUSHING, DU                      | 2   | 2 |   |        |      |
| 10  | S802045010 | O-RING<br>D45                    | 2   | 2 |   |        |      |
| 11  | A1821041   | COLLAR                           | 2   | 2 |   |        |      |
| 12  | S810042001 | RING, SNAP(S)<br>D42             | 2   | 2 |   |        |      |
| 13  | A1821051   | ARM, POWER                       | 1   | 1 |   |        |      |
| 14  | A1826094   | PLATE, LOCK                      | 1   | 1 |   |        |      |
| 15  | S153081633 | BOLT, HEX.<br>M8X1.25X16         | 1   | 1 |   |        |      |
| 16  | A0610168   | PLUG, TAPER<br>PT1/4             | 1   | 1 |   |        |      |
| 17  | A1250049   | PLUG, AIR VENT                   | 1   | 1 |   |        |      |
|     |            |                                  |     |   |   |        |      |
|     |            |                                  |     |   |   |        |      |
|     |            |                                  |     |   |   |        |      |
|     |            |                                  |     |   |   |        |      |
|     |            |                                  |     |   |   |        |      |
|     |            |                                  |     |   |   |        |      |
|     |            |                                  |     |   |   |        |      |
|     |            |                                  |     |   |   |        |      |

# LIFT CONTROL VALVE & LINK

FIG. 9-2B

G. 822



# LIFT CONTROL VALVE & LINK

A-NOT AVAILABLE / B-i28,i36

A-NOT AVAILABLE / B-i28,i36

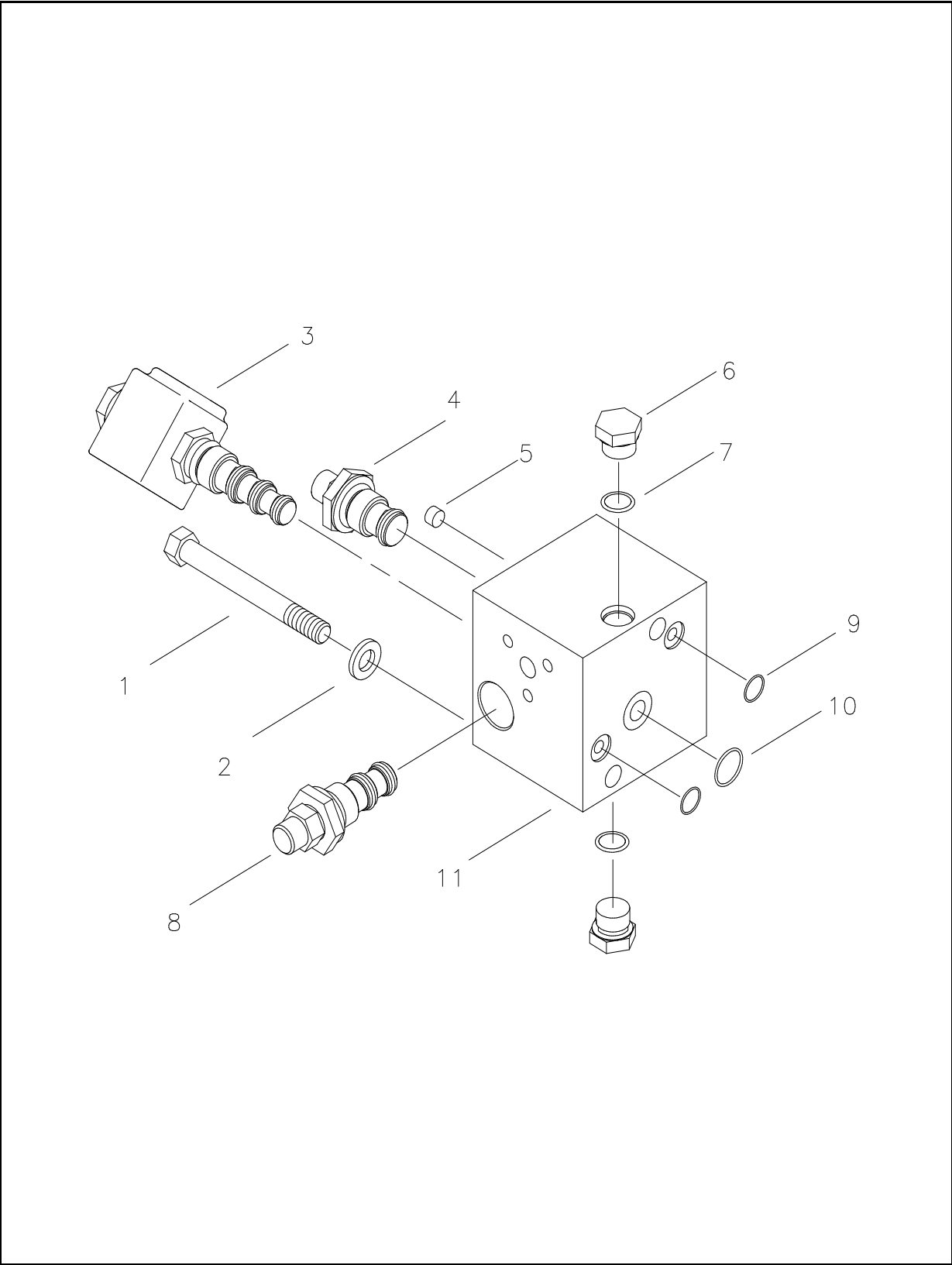
**FIG. 9-2B**

| NO. | PART NO.   | PART NAME & DESCRIPTION  |               | QTY |   |   | APP.NO | REM. |
|-----|------------|--------------------------|---------------|-----|---|---|--------|------|
|     |            |                          |               | A   | B | C |        |      |
| 1   | A1822151   | VALVE, CONTROL           |               | 1   | 1 |   |        |      |
| 2   | S801016020 | O-RING                   | D16           | 2   | 2 |   |        |      |
| 3   | S153085033 | BOLT, HEX.               | M8X1.25X50    | 3   | 3 |   |        |      |
| 4   | S313080043 | NUT, HEX.                | M8X1.25       | 3   | 3 |   |        |      |
| 5-7 | A1822133   | CLEVIS ASSY              |               | 1   | 1 |   |        |      |
| 5   | A1822112   | CLEVIS                   |               | 1   | 1 |   |        |      |
| 6   | 3A1822006  | ROLLER                   |               | 2   | 2 |   |        |      |
| 7   | S814006003 | RING, SNAP(E)            | D6            | 4   | 4 |   |        |      |
| 8   | S202084012 | SCREW, SET SOC.          | M8X1.25X40    | 1   | 1 |   |        |      |
| 9   | A1822086   | SPRING                   |               | 1   | 1 |   |        |      |
| 10  | A1824044   | LINK, POSITION FEED BACK |               | 1   | 1 |   |        |      |
| 11  | 3A1822010  | LINK, E                  |               | 1   | 1 |   |        |      |
| 12  | A1824052   | PIN                      |               | 1   | 1 |   |        |      |
| 13  | S361080013 | WASHER, SPRING           | Φ15.4xΦ8.2x2t | 1   | 1 |   |        |      |
|     |            |                          |               |     |   |   |        |      |
|     |            |                          |               |     |   |   |        |      |
|     |            |                          |               |     |   |   |        |      |
|     |            |                          |               |     |   |   |        |      |
|     |            |                          |               |     |   |   |        |      |
|     |            |                          |               |     |   |   |        |      |
|     |            |                          |               |     |   |   |        |      |
|     |            |                          |               |     |   |   |        |      |

# TM CONTROL VALVE

FIG. 9-3

G. 822



# TM CONTROL VALVE

A-NOT AVAILABLE / B-i28,i36

A-NOT AVAILABLE / B-i28,i36

**FIG. 9-3 PT**

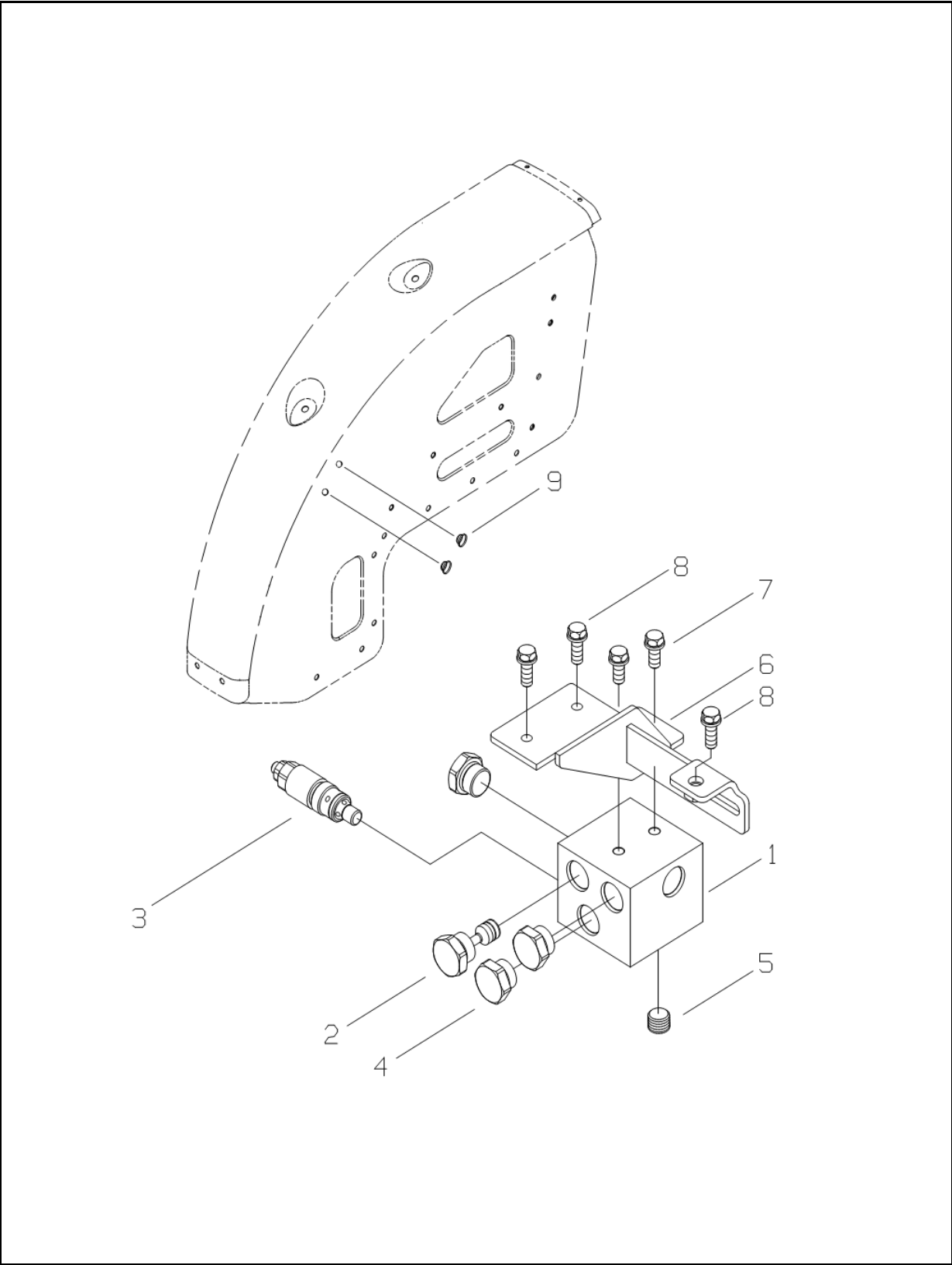
| NO.  | PART NO.   | PART NAME & DESCRIPTION |                  | QTY |   |   | APP.NO | REM. |
|------|------------|-------------------------|------------------|-----|---|---|--------|------|
|      |            |                         |                  | A   | B | C |        |      |
| 1    | S107109043 | BOLT, HEX               | M10x1.25x90      | 2   | 2 |   |        |      |
| 2    | S361100013 | WASHER, SPRING          | φ18.4xφ10.2x2.5t | 2   | 2 |   |        |      |
| 3~11 | A1822089   | IND . PTO VALVE ASSY    |                  | 1   | 1 |   |        |      |
| 3    | A1822091   | VALVE, SOLENOID         |                  | 1   | 1 |   |        |      |
| 4    | A1822105   | VALVE, SEQUENCE         |                  | 1   | 1 |   |        |      |
| 5    | A1822095   | ORIFICE                 | φ1.3             | 1   | 1 |   |        |      |
| 6    | A1822094   | PLUG                    | PF1/4            | 2   | 2 |   |        |      |
| 7    | S801011010 | O-RING                  | D10.8x2.4        | 2   | 2 |   |        |      |
| 8    | A1822093   | REDUCING VALVE          |                  | 1   | 1 |   |        |      |
| 9    | S801010011 | O-RING                  | D9.8x2.4         | 2   | 2 |   |        |      |
| 10   | S801018010 | O-RING                  | D17.8x2.4        | 1   | 1 |   |        |      |
| 11   | A1822090   | BODY, PTO VALVE         |                  | 1   | 1 |   |        |      |
|      |            |                         |                  |     |   |   |        |      |
|      |            |                         |                  |     |   |   |        |      |
|      |            |                         |                  |     |   |   |        |      |
|      |            |                         |                  |     |   |   |        |      |
|      |            |                         |                  |     |   |   |        |      |
|      |            |                         |                  |     |   |   |        |      |
|      |            |                         |                  |     |   |   |        |      |
|      |            |                         |                  |     |   |   |        |      |
|      |            |                         |                  |     |   |   |        |      |



# FRONT OUTLET & LOADER VALVE

FIG. 9-4A

G. 822



# FRONT OUTLET & LOADER VALVE

A-NOT AVAILABLE / B-i28,i36

A-NOT AVAILABLE / B-i28,i36

**FIG. 9-4A**

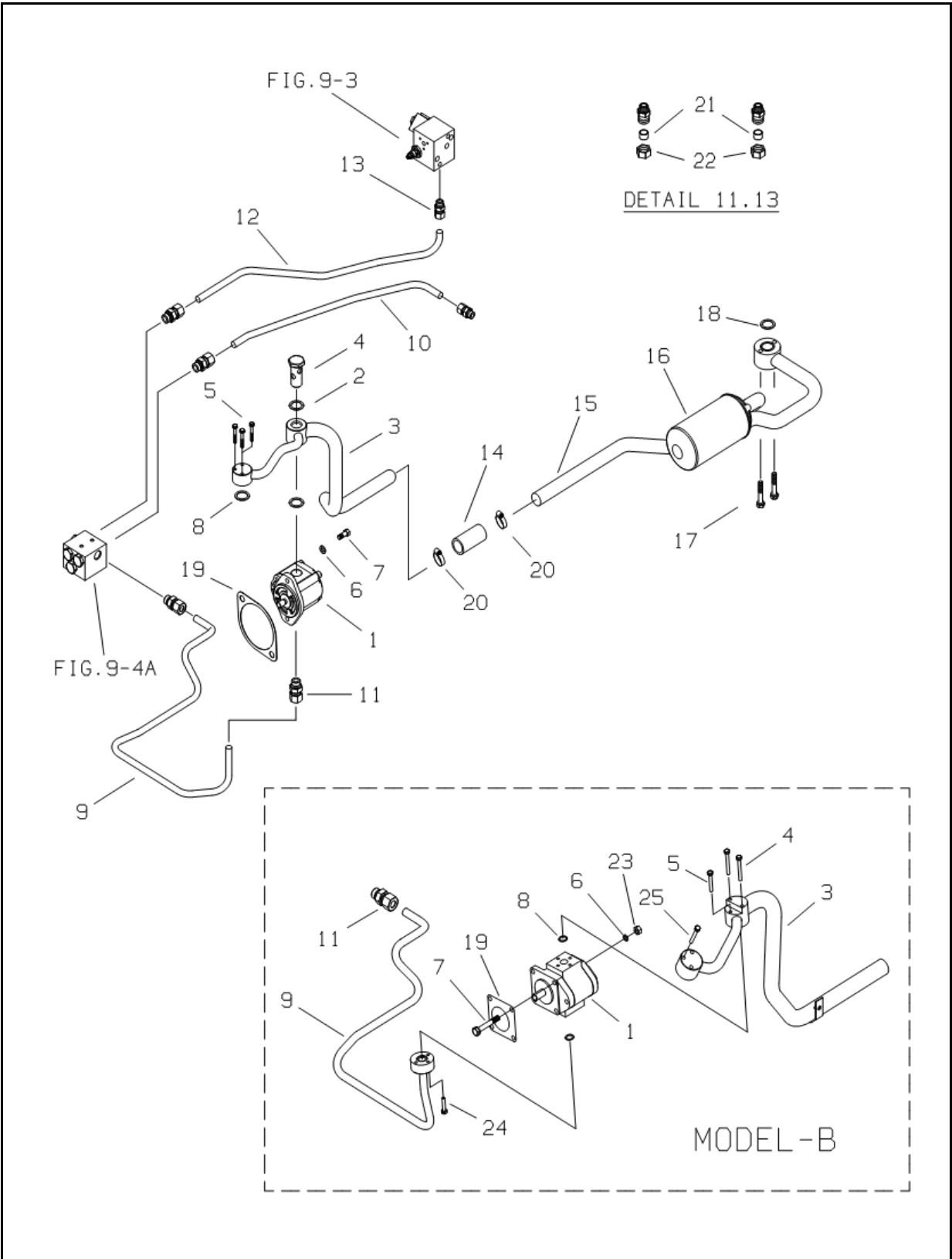
**( F/ OUTLET VALVE )**

| NO. | PART NO.   | PART NAME & DESCRIPTION | QTY |   |            | APP.NO | REM. |
|-----|------------|-------------------------|-----|---|------------|--------|------|
|     |            |                         | A   | B | C          |        |      |
| 1-5 | A1822127   | FRONT OUTLET VALVE ASSY | 1   | 1 |            |        |      |
| 1   | A1822128   | BLOCK, F/OUTLET VALVE   | 1   | 1 |            |        |      |
| 2   | A1822131   | PLUG, CARRY OVER        | 1   | 1 |            |        |      |
| 3   | A1822077   | VALVE, RELIEF           | 1   | 1 |            |        |      |
| 4   | A5001244   | PLUG                    | 3   | 3 |            |        |      |
| 5   | A0610168   | PLUG                    | 1   | 1 |            |        |      |
| 6   | A1822186   | BRACKET, F/OUTLET VALVE | 1   | 1 |            |        |      |
| 7   | S153082033 | BOLT, HEX.              |     |   | M8X1.25X20 | 2      | 2    |
| 8   | S153082533 | BOLT, HEX.              |     |   | M8X1.25X25 | 3      | 3    |
| 9   | A0610083   | PLUG                    | 2   | 2 |            |        |      |
|     |            |                         |     |   |            |        |      |
|     |            |                         |     |   |            |        |      |
|     |            |                         |     |   |            |        |      |
|     |            |                         |     |   |            |        |      |
|     |            |                         |     |   |            |        |      |
|     |            |                         |     |   |            |        |      |
|     |            |                         |     |   |            |        |      |
|     |            |                         |     |   |            |        |      |

# HYDRAULIC LINES

FIG. 9-5A

G. 823



# HYDRAULIC LINES

A-NOT AVAILABLE / B-i28,i36

A-NOT AVAILABLE / B-i28,i36

**FIG. 9-5A**

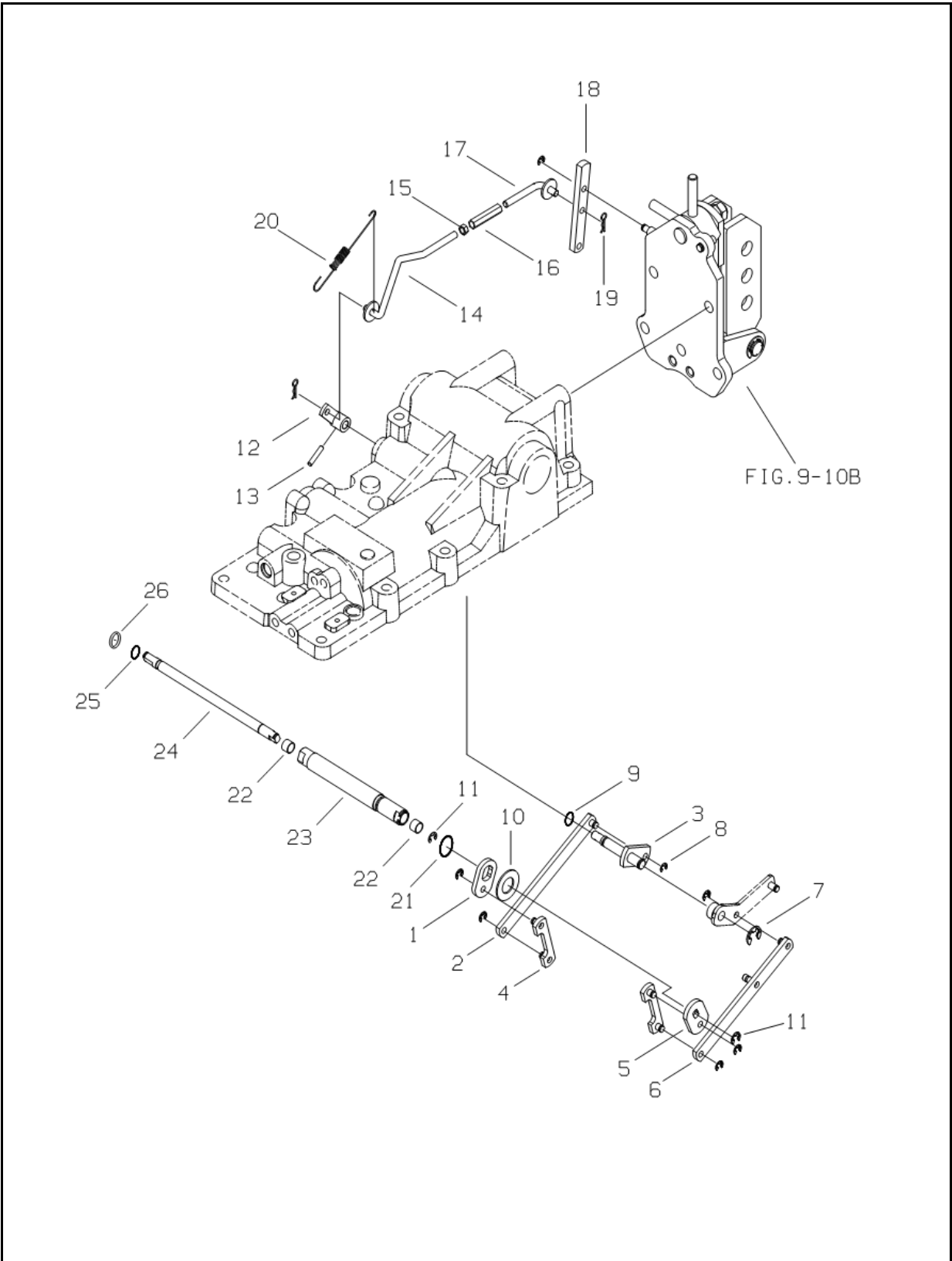
**( F/OUTLET )**

| NO.   | PART NO.   | PART NAME & DESCRIPTION            | QTY |   |   | APP.NO | REM. |
|-------|------------|------------------------------------|-----|---|---|--------|------|
|       |            |                                    | A   | B | C |        |      |
| 1     | A1823433   | PUMP, MAIN                         | 1   | * |   |        |      |
|       | A1823279   | PUMP. HYDRAULIC                    | *   | 1 |   |        |      |
| 2     | A1823168   | WASHER, COPPER                     | 2   | * |   |        |      |
| 3     | A1823624   | PIPE, FRONT SUCTION                | 1   | * |   |        |      |
|       | A1823635   | PIPE, FRONT SUCTION                | *   | 1 |   |        |      |
| 4     | 3A1823003  | BOLT, UNION                        | 1   | * |   |        |      |
|       | S153065033 | BOLT, HEX.<br>M6X1.0X50            | *   | 2 |   |        |      |
| 5     | S153064033 | BOLT, HEX.<br>M6X1.0X40            | 3   | 1 |   |        |      |
| 6     | S361100013 | WASHER, SPRING<br>Φ18.4xΦ10.2x2.5t | 2   | * |   |        |      |
|       | S361080013 | WASHER, SPR. 1-TY<br>Φ15.4xΦ8.2x2t | *   | 4 |   |        |      |
| 7     | S107102543 | BOLT, HEX.<br>M10X1.5X25           | 2   | * |   |        |      |
|       | A1970325   | BOLT, HEX.<br>M8X1.25X150          | *   | 2 |   |        |      |
| 8     | S801018010 | O-RING<br>D18                      | 1   | 3 |   |        |      |
| 9,11  | A1823625   | F/PRESSURE PIPE ASSY               | 1   | * |   |        |      |
|       | A1823442   | F/PRESSURE PIPE ASSY               | *   | 1 |   |        |      |
| 9     | A1823626   | PIPE, FRONT PRESSURE               | 1   | * |   |        |      |
|       | A1823443   | PIPE, F/PRESSURE                   | *   | 1 |   |        |      |
| 10,11 | A1823577   | V/V DRAIN PIPE ASSY                | 1   | 1 |   |        |      |
| 10    | A1823578   | PIPE, V/V DRAIN                    | 1   | 1 |   |        |      |
| 11-13 | A1823554   | M/PRESSURE PIPE ASSY               | 1   | 1 |   |        |      |
| 11    | A1823144   | JOINT<br>BOM15-04G                 | 5   | 1 |   |        |      |
| 12    | A1823555   | PIPE, MIDDLE PRESSURE              | 1   | 1 |   |        |      |
| 13    | A1823189   | JOINT<br>BOM15-03G                 | 1   | 1 |   |        |      |
| 14    | A1823059   | HOSE, SUCTION PIPE                 | 1   | 1 |   |        |      |
| 15    | A1823631   | PIPE, REAR SUCTION                 | 1   | 1 |   |        |      |
| 16    | A1823315   | FILTER, SUCTION                    | 1   | 1 |   |        |      |
| 17    | S154106033 | BOLT, HEX.<br>M10X1.5X60           | 2   | 2 |   |        |      |
| 18    | S804030010 | O-RING<br>D30                      | 1   | 1 |   |        |      |
| 19    | A1823103   | PACKING, PUMP                      | 1   | * |   |        |      |
|       | 3A1823010  | PACKING, HYD. PUMP                 | *   | 1 |   |        |      |
| 20    | A1970201G  | CLAMP, HOSE<br>27-50               | 2   | 2 |   |        |      |
| 21    | A1823033   | SLEEVE<br>Φ15                      | 1   | 1 |   |        |      |
| 22    | A1823034   | NUT, HEX                           | 1   | 1 |   |        |      |
| 23    | S313080013 | NUT, HEX. S. 2-TY.<br>M8X1.5       | *   | 4 |   |        |      |
| 24    | S153063033 | BOLT. HEX.<br>M6X1.0X30            | *   | 3 |   |        |      |
| 25    | S153064533 | BOLT, HEX.<br>M6X1.0X45            | *   | 3 |   |        |      |
|       |            |                                    |     |   |   |        |      |

# HYDRAULIC LINKAGE

FIG. 9-6B

G. 824



# HYDRAULIC LINKAGE

A-NOT AVAILABLE / B-i28,i36

A-NOT AVAILABLE / B-i28,i36

**FIG. 9-6B**

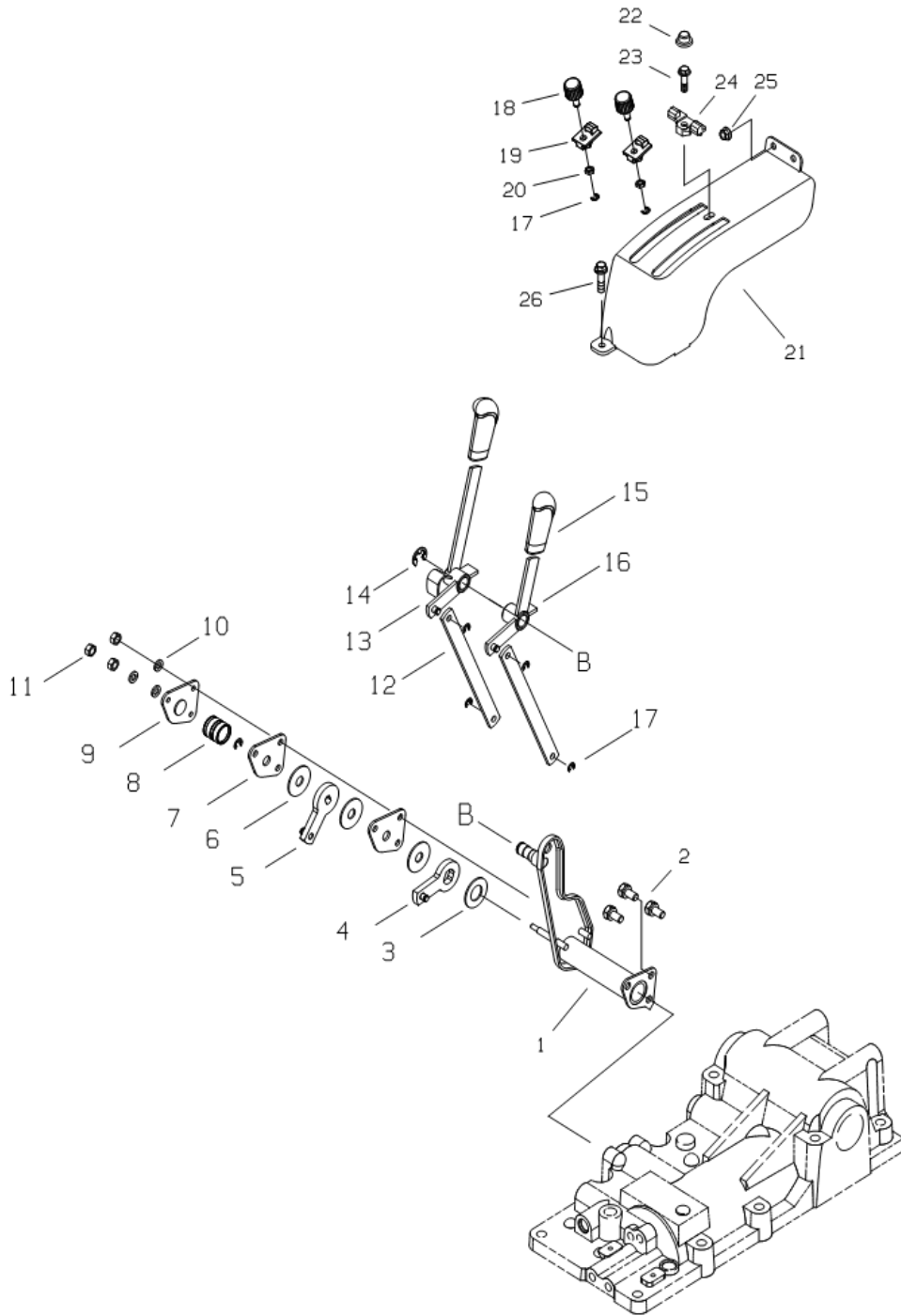
**( W/DRAFT )**

| NO.   | PART NO.   | PART NAME & DESCRIPTION | QTY     |   |   | APP.NO | REM. |
|-------|------------|-------------------------|---------|---|---|--------|------|
|       |            |                         | A       | B | C |        |      |
| 1     | A1824053   | PLATE, DRAFT            | 1       | 1 |   |        |      |
| 2     | A1824042   | LINK, DRAFT             | 1       | 1 |   |        |      |
| 3     | A1824047   | SHAFT, DRAFT CONTROL    | 1       | 1 |   |        |      |
| 4     | A1824043   | LINK(E)                 | 2       | 2 |   |        |      |
| 5     | A1823054   | PLATE, POSITION         | 1       | 1 |   |        |      |
| 6     | A1824041   | LINK, POSITION          | 1       | 1 |   |        |      |
| 7     | S814009003 | RING, SNAP(E)           | D9      | 1 | 1 |        |      |
| 8     | S814006003 | RING, SNAP(E)           | D6      | 7 | 7 |        |      |
| 9     | S801009010 | O-RING                  | D9      | 1 | 1 |        |      |
| 10    | A1824057   | RING, SNAP(S)           |         | 1 | 1 |        |      |
| 11    | S810012001 | RING, SNAP              | D12     | 2 | 2 |        |      |
| 12    | A1824051   | ARM                     |         | 1 | 1 |        |      |
| 13    | S446042012 | PIN, SPRING             | Φ4X20   | 1 | 1 |        |      |
| 14-19 | A1824048   | DRAFT LINK ASSY         |         | 1 | 1 |        |      |
| 14    | A1824049   | ROD(A)                  |         | 1 | 1 |        |      |
| 15    | S313080043 | NUT, HEX.               | M8X1.25 | 1 | 1 |        |      |
| 16    | 3A1824014  | JOINT                   |         | 1 | 1 |        |      |
| 17    | A1824050   | ROD(B)                  |         | 1 | 1 |        |      |
| 18    | 3A1824011  | LINK, PAC               |         | 1 | 1 |        |      |
| 19    | S443080013 | PIN, SNAPE A-TYPE       | M8X1.25 | 2 | 2 |        |      |
| 20    | A1824094   | SPRING                  |         | 1 | 1 |        |      |
| 21    | S801016010 | O-RING                  | D16     | 1 | 1 |        |      |
| 22    | A0676910   | BUSHING, DU             |         | 2 | 2 |        |      |
| 23    | A1824082   | SHAFT, DRAFT            |         | 1 | 1 |        |      |
| 24    | A1824045   | SHAFT, POSITION         |         | 1 | 1 |        |      |
| 25    | S801010011 | O-RING                  | D10     | 1 | 1 |        |      |
| 26    | A1824056   | RING, BACKUP            |         | 1 | 1 |        |      |
|       |            |                         |         |   |   |        |      |
|       |            |                         |         |   |   |        |      |
|       |            |                         |         |   |   |        |      |

# HYDRAULIC CONTROL LEVER

FIG. 9-7B

G. 825



# HYDRAULIC CONTROL LEVER

A-NOT AVAILABLE / B-i28,i36

A-NOT AVAILABLE / B-i28,i36

**FIG. 9-7B**

**( W/ DRAFT )**

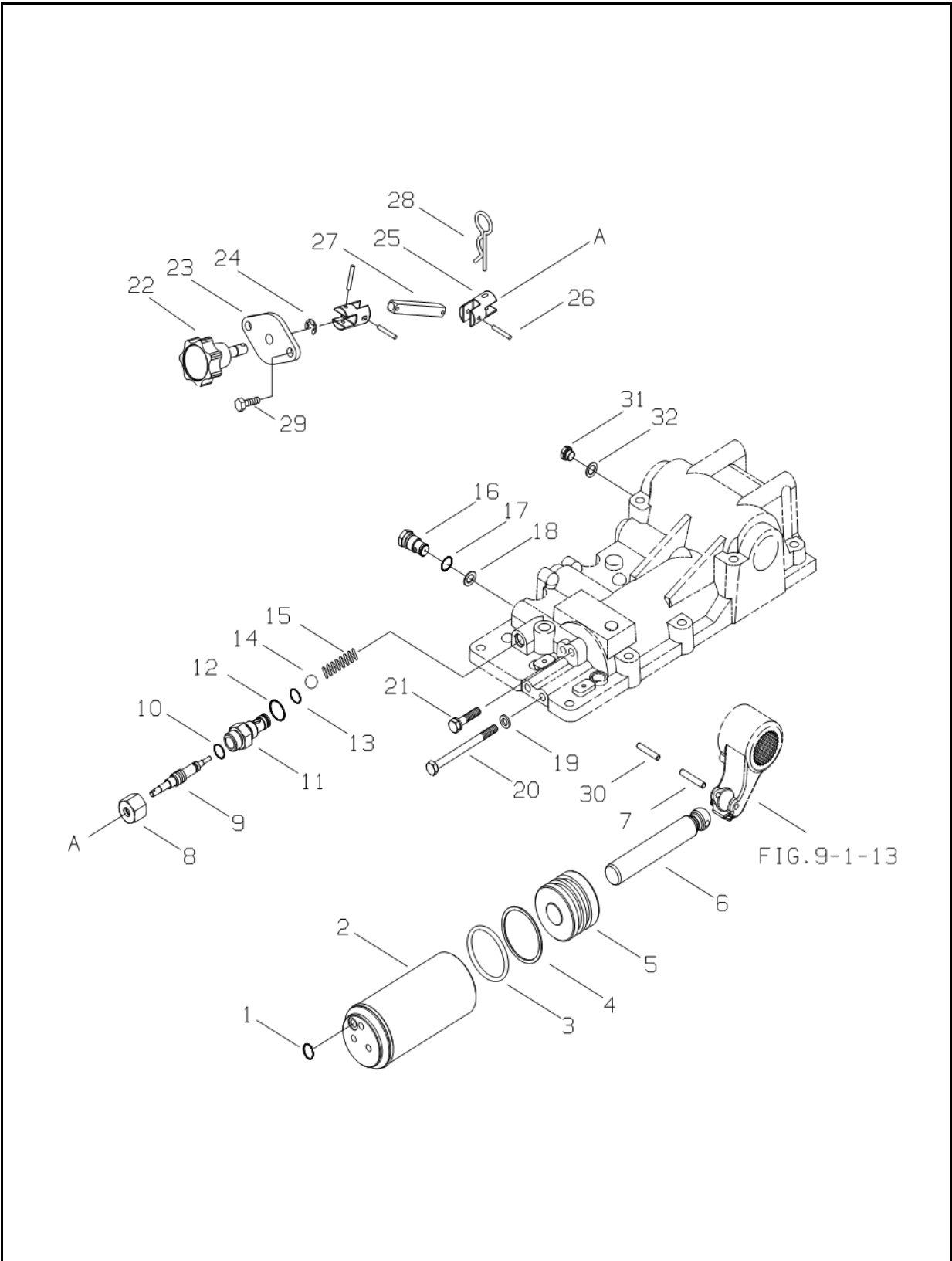
| NO. | PART NO.   | PART NAME & DESCRIPTION | QTY |   |   | APP.NO | REM. |
|-----|------------|-------------------------|-----|---|---|--------|------|
|     |            |                         | A   | B | C |        |      |
| 1   | A1825254   | BRACKET, HYD. LEVER     | 1   | 1 |   |        |      |
| 2   | S154102033 | BOLT, HEX.              | 3   | 3 |   |        |      |
| 3   | A1825171   | FRICION PLATE           | 1   | 1 |   |        |      |
| 4   | A1825260   | ARM, DRAFT LEVER        | 1   | 1 |   |        |      |
| 5   | A1825174   | ARM, POSITION LEVER     | 1   | 1 |   |        |      |
| 6   | A1825172   | FRICION PLATE           | 3   | 3 |   |        |      |
| 7   | A1825170   | PLATE, LOCKING          | 2   | 2 |   |        |      |
| 8   | A1825086   | SPRING                  | 1   | 1 |   |        |      |
| 9   | A1825167   | COVER, SPRING           | 1   | 1 |   |        |      |
| 10  | S361060013 | WAHSER, SPRING 1-TY     | 3   | 3 |   |        |      |
| 11  | S305060013 | NUT, HEX.               | 3   | 3 |   |        |      |
| 12  | A1825183   | LINK, HYD. LEVER        | 2   | 2 |   |        |      |
| 13  | A1825200   | LEVER, POSITION         | 1   | 1 |   |        |      |
| 14  | S814015003 | RING, SNAP(E)           | 1   | 1 |   |        |      |
| 15  | A5002309   | GRIP, LEVER             | 2   | 2 |   |        |      |
| 16  | A1825262   | LEVER, DRAFT            | 1   | 1 |   |        |      |
| 17  | S814006003 | RING, SNAP(E)           | 6   | 6 |   |        |      |
| 18  | A1825056   | GRIP, LEVER STOP        | 2   | 2 |   |        |      |
| 19  | A1825129   | STOPPER, LEVER          | 2   | 2 |   |        |      |
| 20  | S305080043 | NUT, HEX.               | 3   | 3 |   |        |      |
| 21  | A1825194   | GUIDE, HYD. LEVER       | 1   | 1 |   |        |      |
| 22  | A18830283  | CAP, BOLT               | 1   | 1 |   |        |      |
| 23  | S155083033 | BOLT, HEX.              | 1   | 1 |   |        |      |
| 24  | A1825196   | STOPPER, HYD.LEVER      | 1   | 1 |   |        |      |
| 25  | S345080013 | NUT, FLANGE             | 2   | 2 |   |        |      |
| 26  | S159082033 | BOLT, HEX.              | 1   | 1 |   |        |      |
|     |            |                         |     |   |   |        |      |
|     |            |                         |     |   |   |        |      |
|     |            |                         |     |   |   |        |      |



# HYDRAULIC CYLINDER

FIG. 9-8

G. 826



# HYDRAULIC CYLINDER

A-NOT AVAILABLE / B-i28,i36

A-NOT AVAILABLE / B-i28,i36

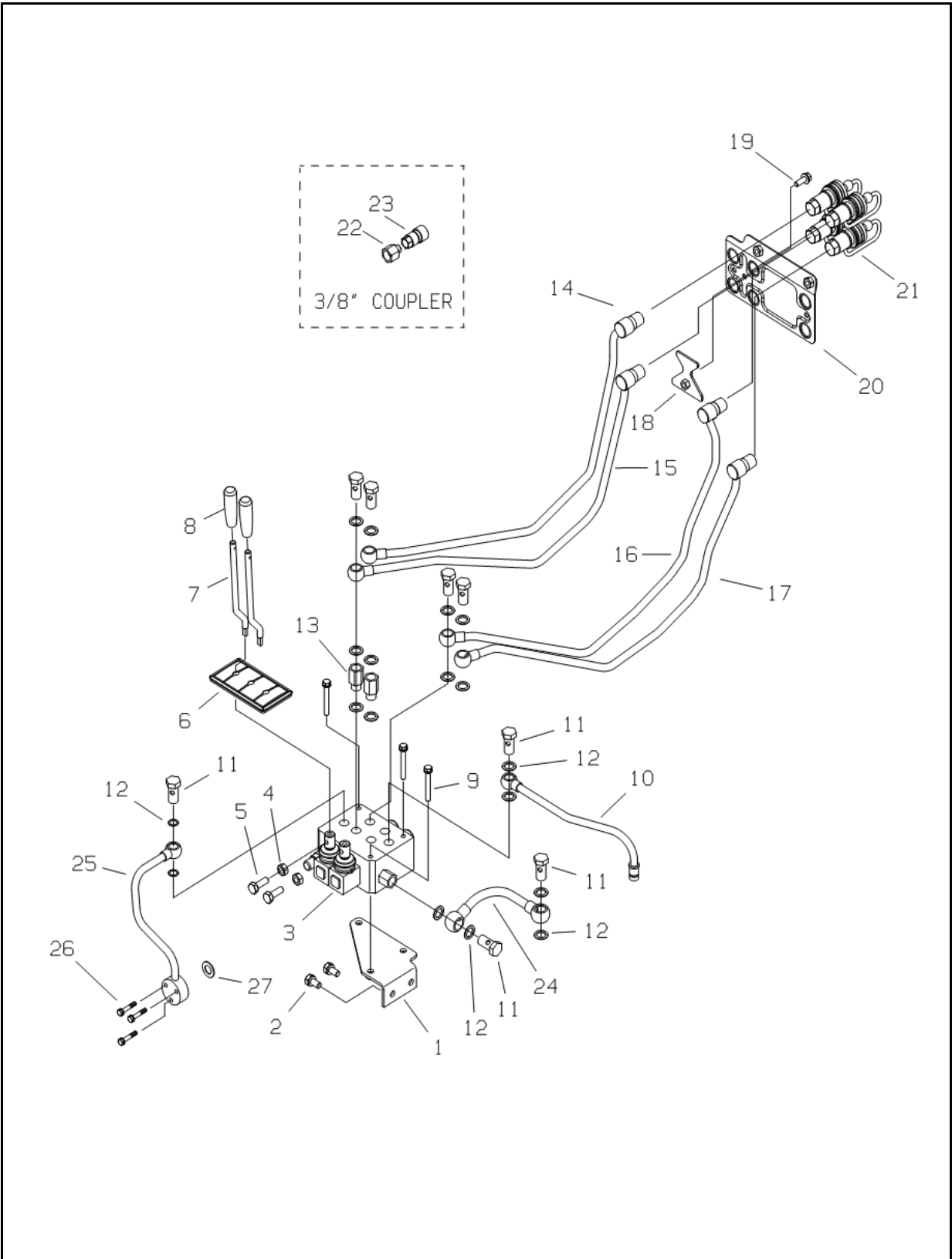
**FIG. 9-8**

| NO.   | PART NO.   | PART NAME & DESCRIPTION |                 | QTY |   |   | APP.NO | REM. |
|-------|------------|-------------------------|-----------------|-----|---|---|--------|------|
|       |            |                         |                 | A   | B | C |        |      |
| 1     | S801014020 | O-RING                  | D14             | 1   | 1 |   |        |      |
| 2     | A1826137   | CYLINDER, HYDRAULIC     |                 | 1   | 1 |   |        |      |
| 3     | A1826123   | O-RING                  |                 | 2   | 2 |   |        |      |
| 4     | A1826124   | RING, BACK-UP           |                 | 2   | 2 |   |        |      |
| 5     | A1826122   | PISTON                  |                 | 1   | 1 |   |        |      |
| 6     | A1826127   | ROD, PISTON             |                 | 1   | 1 |   |        |      |
| 7     | S446085510 | PIN, SPRING             | Φ8X55L          | 1   | 1 |   |        |      |
| 8-13  | A1826131   | FLOW, REGULATOR ASSY    |                 | 1   | 1 |   |        |      |
| 8     | A1826081   | NUT                     |                 | 1   | 1 |   |        |      |
| 9     | A1826132   | SCREW, ADJUST           |                 | 1   | 1 |   |        |      |
| 10    | S801006020 | O-RING                  | D6              | 1   | 1 |   |        |      |
| 11    | A1826079   | BODY, REGULATOR         |                 | 1   | 1 |   |        |      |
| 12    | S801014020 | O-RING                  | D14             | 1   | 1 |   |        |      |
| 13    | S801010020 | O-RING                  | D10             | 1   | 1 |   |        |      |
| 14    | A20063480  | BALL, STEEL             |                 | 1   | 1 |   |        |      |
| 15    | A1826058   | SPRING                  |                 | 1   | 1 |   |        |      |
| 16    | A1826037   | VALVE, SAFETY           |                 | 1   | 1 |   |        |      |
| 17    | S801018010 | O-RING                  | D18             | 1   | 1 |   |        |      |
| 18    | A1826036   | SEAL                    |                 | 1   | 1 |   |        |      |
| 19    | S361100013 | WASHER, SPRING          | Φ18.4X10.2X2.5T | 2   | 2 |   |        |      |
| 20    | S104101243 | BOLT, HEX.              | M10X1.5X12      | 2   | 2 |   |        |      |
| 21    | S154104533 | BOLT, HEX.              | M10X1.5X45      | 1   | 1 |   |        |      |
| 22-27 | A1826133   | REGULATOR KNOB ASSY     |                 | 1   | 1 |   |        |      |
| 22    | A1826136   | KNOB                    |                 | 1   | 1 |   |        |      |
| 23    | A5002204   | FLANGE, KNOB            |                 | 1   | 1 |   |        |      |
| 24    | S814006001 | RING, SNAP              | D6              | 1   | 1 |   |        |      |
| 25    | A1826134   | END, CONNECTOR          |                 | 2   | 2 |   |        |      |
| 26    | S446032012 | PIN, SPRING 2-TY.       | Φ3X20           | 3   | 3 |   |        |      |
| 27    | A1826135   | CONNECTOR               |                 | 1   | 1 |   |        |      |
| 28    | S443160013 | PIN, SNAP A-TYPE        | Φ16X54          | 1   | 1 |   |        |      |
| 29    | S155062033 | BOLT, HEX.              | M6X1.0X20       | 2   | 2 |   |        |      |
| 30    | S446055510 | PIN, SPRING             | Φ5X55L          | 1   | 1 |   |        |      |
| 31    | A1823190   | PLUG                    |                 | 1   | 1 |   |        |      |
| 32    | A1823158   | SEAL, COPPER            | M19X1.5T        | 1   | 1 |   |        |      |
|       |            |                         |                 |     |   |   |        |      |
|       |            |                         |                 |     |   |   |        |      |

# REMOTE CONTROL VALVE & LINE

FIG. 9-9A

G. 827



# REMOTE CONTROL VALVE & LINE

A-NOT AVAILABLE / B-i28,i36

A-NOT AVAILABLE / B-i28,i36

**FIG. 9-9A**

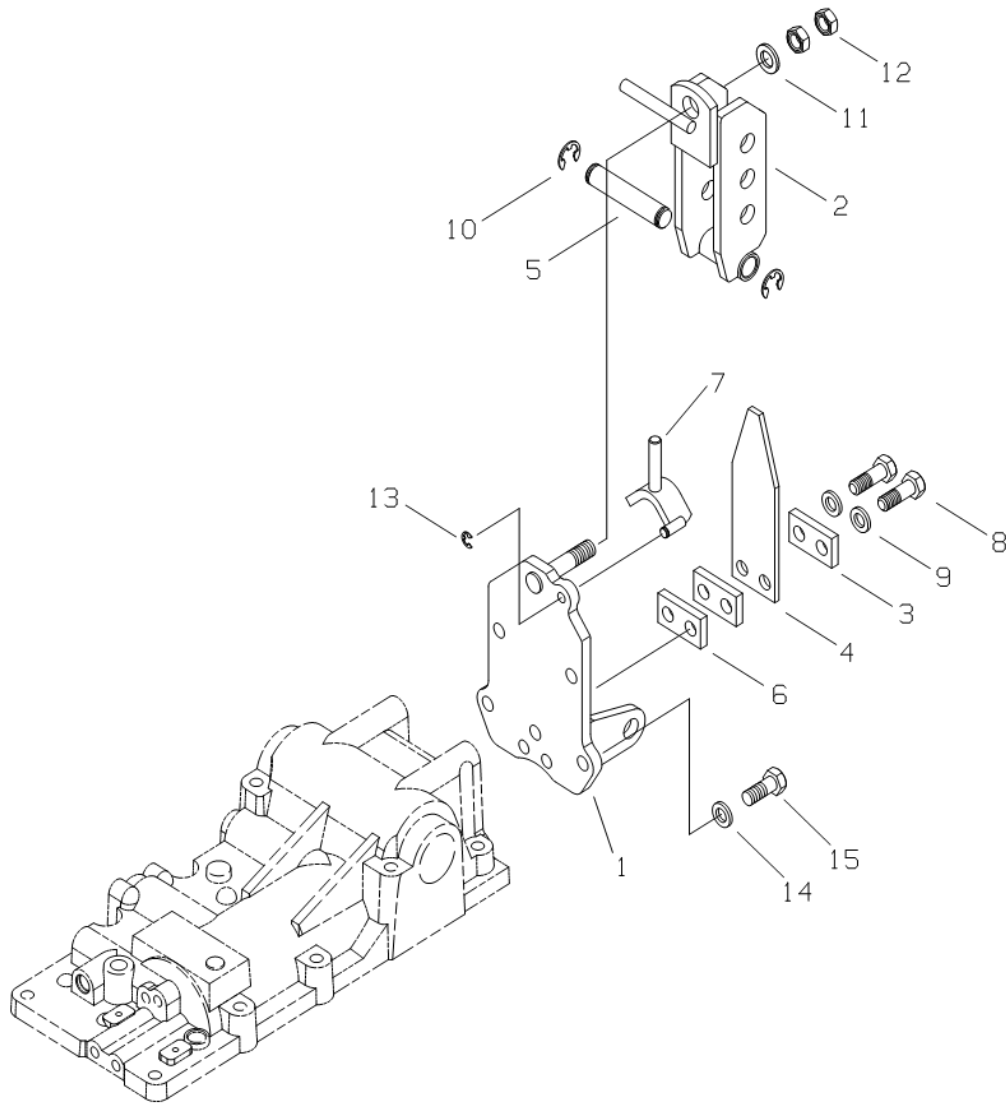
**( SD5/2 )**

| NO.   | PART NO.   | PART NAME & DESCRIPTION |             | QTY |    |   | APP.NO | REM. |
|-------|------------|-------------------------|-------------|-----|----|---|--------|------|
|       |            |                         |             | A   | B  | C |        |      |
| 1     | A1827297   | BRACKET, VALVE          |             | 1   | 1  |   |        |      |
| 2     | S154102033 | BOLT, HEX.              | M10X1.25X20 | 2   | 2  |   |        |      |
| 3     | A1827260   | VALVE, REMOTE COTROL    | SD5/2       | 1   | 1  |   |        |      |
| 4     | S305100013 | NUT, HEX.               | M10X1.5     | 2   | 2  |   |        |      |
| 5     | S101102543 | BOLT, HEX.              | M10X25      | 2   | 2  |   |        |      |
| 6     | A1827276   | COVER, REMOTE LEVER     |             | 1   | 1  |   |        |      |
| 7     | A1827296   | LEVER, REMOTE           |             | 2   | 2  |   |        |      |
| 8     | A1970242   | GRIP, VALVE LEVER       |             | 2   | 2  |   |        |      |
| 9     | S153086033 | BOLT, HEX.              | M8X1.25X60  | 3   | 3  |   |        |      |
| 10    | A1827291   | PIPE, REMOTE V/V DRAIN  |             | 1   | 1  |   |        |      |
| 11    | A1630201   | BOLT, UNION             |             | 8   | 8  |   |        |      |
| 12    | A1823245   | SEAL, BONDED            |             | 18  | 18 |   |        |      |
| 13    | A1827152   | CONNECTOR, UNION        |             | 2   | 2  |   |        |      |
| 14    | A1827338   | PIPE, 1ST(U)            |             | 1   | 1  |   |        |      |
| 15    | A1827337   | PIPE, 1ST(D)            |             | 1   | 1  |   |        |      |
| 16    | A1827340   | PIPE, 2ND(U)            |             | 1   | 1  |   |        |      |
| 17    | A1827339   | PIPE, 2ND(D)            |             | 1   | 1  |   |        |      |
| 18    | A1827343   | BRACKET, REMOTE PIPE    |             | 1   | 1  |   |        |      |
| 19    | S159082533 | BOLT, HEX.              | M8X1.25X25  | 1   | 1  |   |        |      |
| 20    | A1827244   | BRACKET, R/CTRL. PIPE   |             | 1   | 1  |   |        |      |
| 21    | A1827177   | QUICK COUPLER 1/2       |             | 4   | 4  |   |        |      |
| 22-23 | A1827285   | QUICK COUPLER SUB ASSY  |             | 4   | 4  |   |        |      |
| 22    | A1827286   | ADAPTER                 |             | 1   | 1  |   |        |      |
| 23    | A1827168   | QUICK COUPLER           |             | 1   | 1  |   |        |      |
| 24    | A1823560   | PIPE, R/C PRESSURE OUT  |             | 1   | 1  |   |        |      |
| 25    | A1823559   | PIPE, R/C V/V IN        |             | 1   | 1  |   |        |      |
| 26    | S153063533 | BOLT, HEX.              | M6X1.0X35   | 3   | 3  |   |        |      |
| 27    | S801016010 | O-RING                  |             | 1   | 1  |   |        |      |
|       |            |                         |             |     |    |   |        |      |
|       |            |                         |             |     |    |   |        |      |
|       |            |                         |             |     |    |   |        |      |

# UPPER LINK BRACKET

FIG. 9-10B

G. 828



# UPPER LINK BRACKET

A-NOT AVAILABLE / B-i28,i36

A-NOT AVAILABLE / B-i28,i36

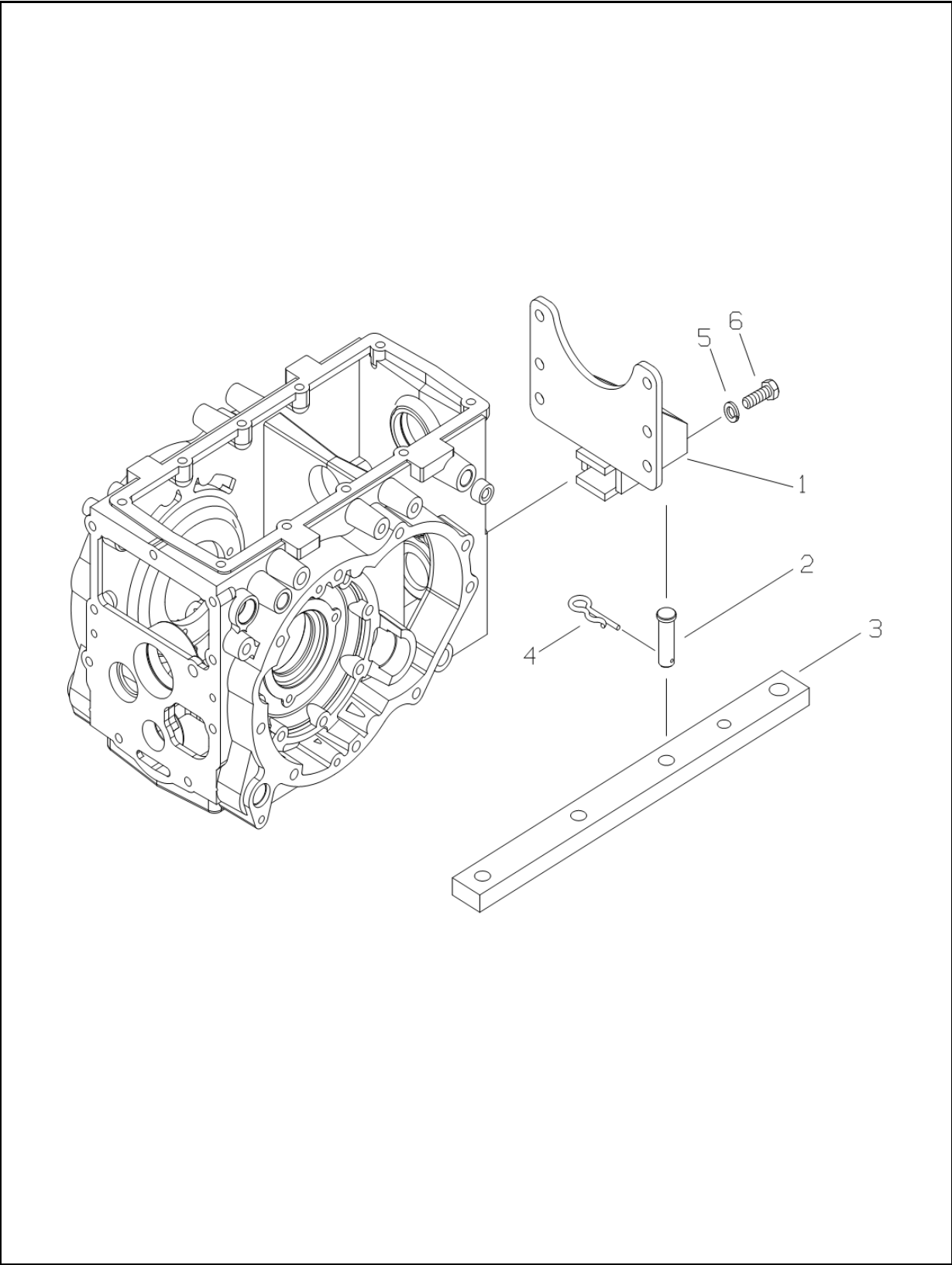
**FIG. 9-10B**

| NO.  | PART NO.   | PART NAME & DESCRIPTION  | QTY |   |   | APP.NO | REM.            |
|------|------------|--------------------------|-----|---|---|--------|-----------------|
|      |            |                          | A   | B | C |        |                 |
| 1~14 | A1828062   | UPPER, LINK BRACKET ASSY | 1   | 1 |   |        |                 |
| 1    | A1828063   | BRACKET                  | 1   | 1 |   |        |                 |
| 2    | A1828048   | BRACKET, UPPER LINK      | 1   | 1 |   |        |                 |
| 3    | A1828056   | PLATE                    | 2   | 2 |   |        |                 |
| 4    | A1828050   | SPRING, LEAF             | 1   | 1 |   |        |                 |
| 5    | A1828051   | PIN                      | 1   | 1 |   |        |                 |
| 6    | A1828052   | PLATE                    | 1   | 1 |   |        |                 |
| 7    | A1828053   | STOPPER                  | 1   | 1 |   |        |                 |
| 8    | S107144043 | BOLT, HEX.               |     |   |   |        | M14X2.0X40      |
| 9    | S362140013 | WASHER, SPRING           |     |   |   |        | Φ24.7X14.2X4.2T |
| 10   | S814015003 | RING, SNAP               |     |   |   |        | D15             |
| 11   | S364160053 | WASHER, PLN. F-RD        |     |   |   |        |                 |
| 12   | S314160013 | NUT, HEX.                |     |   |   |        | M16X1.5         |
| 13   | S814008010 | RING, SNAP               |     |   |   |        | D8              |
| 14   | S361140013 | WASHER, SPRING           |     |   |   |        | Φ24.5X14.2X3.5T |
| 15   | S101143543 | BOLT, HEX.               |     |   |   |        | M14X2.0X35      |
|      |            |                          |     |   |   |        |                 |
|      |            |                          |     |   |   |        |                 |
|      |            |                          |     |   |   |        |                 |
|      |            |                          |     |   |   |        |                 |
|      |            |                          |     |   |   |        |                 |
|      |            |                          |     |   |   |        |                 |
|      |            |                          |     |   |   |        |                 |
|      |            |                          |     |   |   |        |                 |

# DRAWBAR HITCH

FIG. 9-11B

G. 891



# DRAWBAR HITCH

A-NOT AVAILABLE / B-i28,i36

A-NOT AVAILABLE / B-i28,i36

**FIG. 9-11B**

**( TELESCOPIC DRAWBAR )**

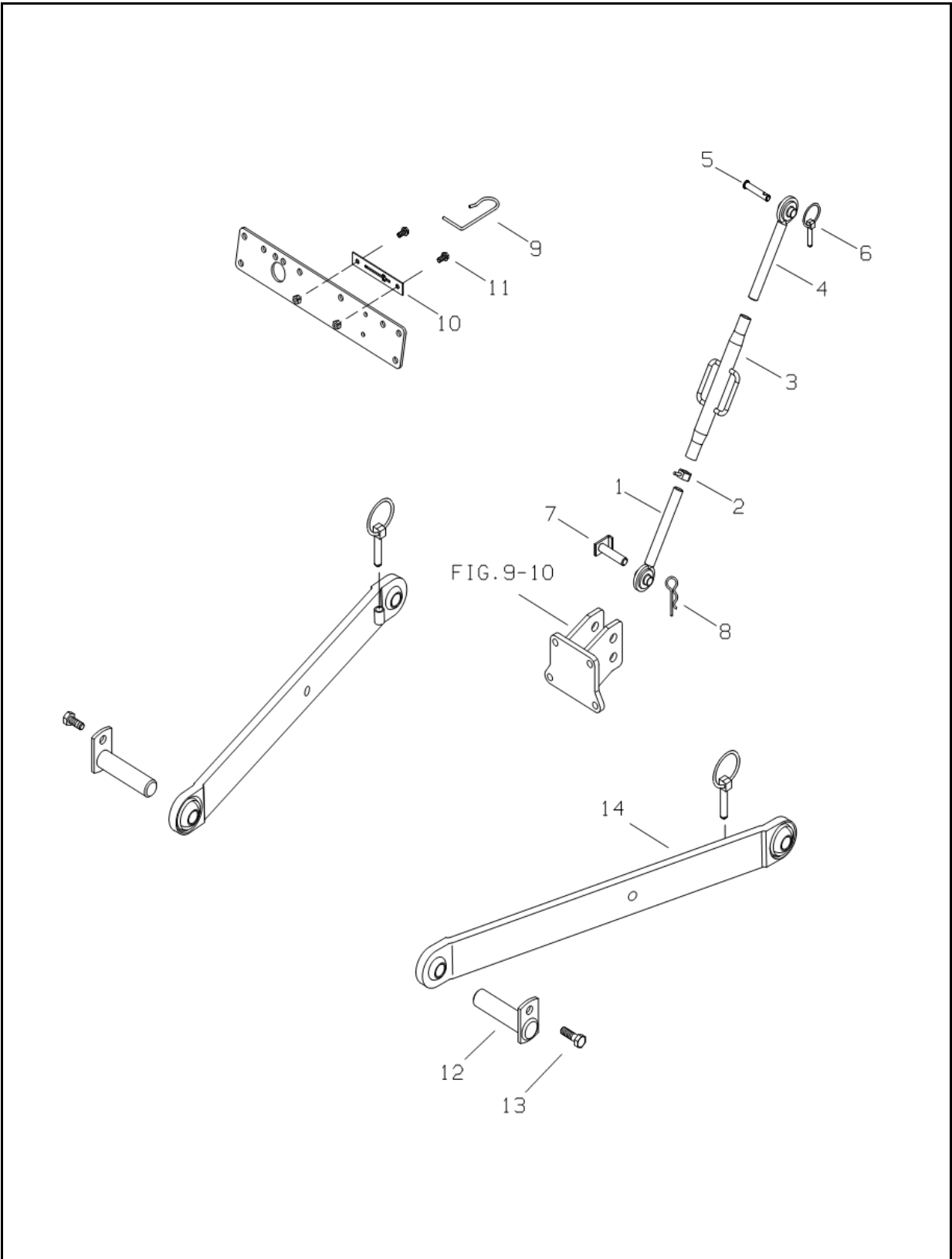
| NO. | PART NO.   | PART NAME & DESCRIPTION |                  | QTY |   |   | APP.NO | REM. |
|-----|------------|-------------------------|------------------|-----|---|---|--------|------|
|     |            |                         |                  | A   | B | C |        |      |
| 1   | A1891049   | SUPPORT, DRAWBAR        |                  | 1   | 1 |   |        |      |
| 2   | A1891030   | PIN                     | Φ25              | 1   | 1 |   |        |      |
| 3   | A1891050   | DRAWBAR                 |                  | 1   | 1 |   |        |      |
| 4   | 3A1970091  | PIN, SNAP               |                  | 1   | 1 |   |        |      |
| 5   | S361140013 | WASHER, SPRING          | Φ24.5XΦ14.2X3.5t | 6   | 6 |   |        |      |
| 6   | S101144043 | BOLT, HEX               | M14X2.0X40       | 6   | 6 |   |        |      |
|     |            |                         |                  |     |   |   |        |      |
|     |            |                         |                  |     |   |   |        |      |
|     |            |                         |                  |     |   |   |        |      |
|     |            |                         |                  |     |   |   |        |      |
|     |            |                         |                  |     |   |   |        |      |
|     |            |                         |                  |     |   |   |        |      |
|     |            |                         |                  |     |   |   |        |      |
|     |            |                         |                  |     |   |   |        |      |
|     |            |                         |                  |     |   |   |        |      |
|     |            |                         |                  |     |   |   |        |      |
|     |            |                         |                  |     |   |   |        |      |



# UPPER & LOWER LINK

FIG. 9-12A

G. 896



# UPPER & LOWER LINK

A-NOT AVAILABLE / B-i28,i36

A-NOT AVAILABLE / B-i28,i36

**FIG. 9-12A**

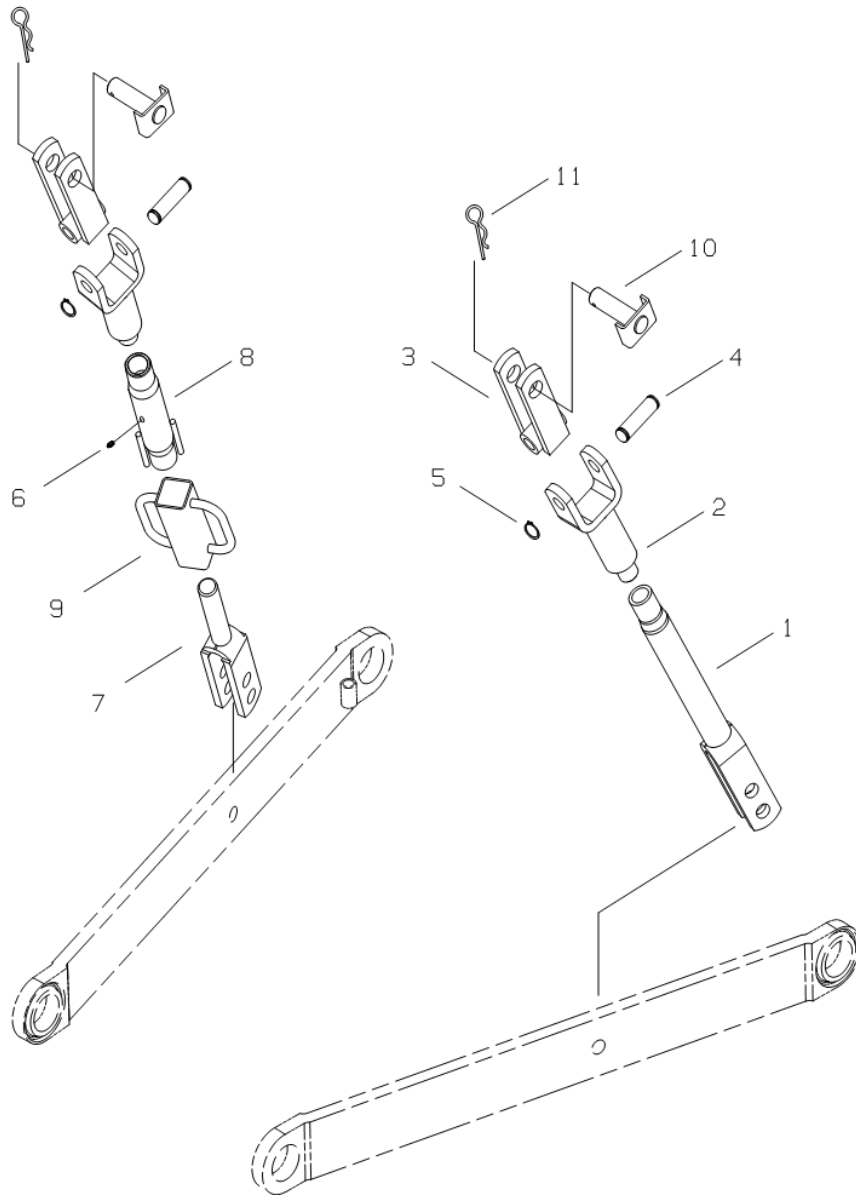
**( GENERAL )**

| NO. | PART NO.   | PART NAME & DESCRIPTION |             | QTY |   |   | APP.NO | REM. |
|-----|------------|-------------------------|-------------|-----|---|---|--------|------|
|     |            |                         |             | A   | B | C |        |      |
| 1-6 | A1896599   | UPPER LINK ASSY         | 470-750     | 1   | 1 |   |        |      |
| 1   | A1896601   | END, UPPER LINK(F)      | M24X3       | 1   | 1 |   |        |      |
| 2   | 3A1970092  | NUT, LOCK               | M24X3       | 1   | 1 |   |        |      |
| 3   | A1896600   | TURN BUCKLE             | M24X3       | 1   | 1 |   |        |      |
| 4   | A1896602   | END, UPPER LINK(R)      | M24X3(CAT1) | 1   | 1 |   |        |      |
| 5   | 3A1896013  | PIN UPPER LINK(R)       |             | 1   | 1 |   |        |      |
| 6   | 3A1896081  | PIN, LINK               |             | 3   | 3 |   |        |      |
| 7   | A1896189   | PIN, UPPER LINK(F)      |             | 1   | 1 |   |        |      |
| 8   | 3A1970091  | PIN, SNAP               |             | 1   | 1 |   |        |      |
| 9   | A1896540   | HOOK, UPPER LINK        |             | 1   | 1 |   |        |      |
| 10  | A1896519   | BRACKET, HOOK           |             | 1   | 1 |   |        |      |
| 11  | S159082533 | BOLT, HEX               |             | 2   | 2 |   |        |      |
| 12  | A1896477   | PIN, LOWER LINK HITCH   |             | 2   | 2 |   |        |      |
| 13  | S154102533 | BOLT, HEX. W/WASHER     | M10X1.25X25 | 2   | 2 |   |        |      |
| 14  | A1896522   | LOWER, LINK             |             | 2   | 2 |   |        |      |
|     |            |                         |             |     |   |   |        |      |
|     |            |                         |             |     |   |   |        |      |
|     |            |                         |             |     |   |   |        |      |
|     |            |                         |             |     |   |   |        |      |
|     |            |                         |             |     |   |   |        |      |
|     |            |                         |             |     |   |   |        |      |
|     |            |                         |             |     |   |   |        |      |
|     |            |                         |             |     |   |   |        |      |

# LIFT ROD

FIG. 9-13

G. 896



# LIFT ROD

A-NOT AVAILABLE / B-i28,i36

A-NOT AVAILABLE / B-i28,i36

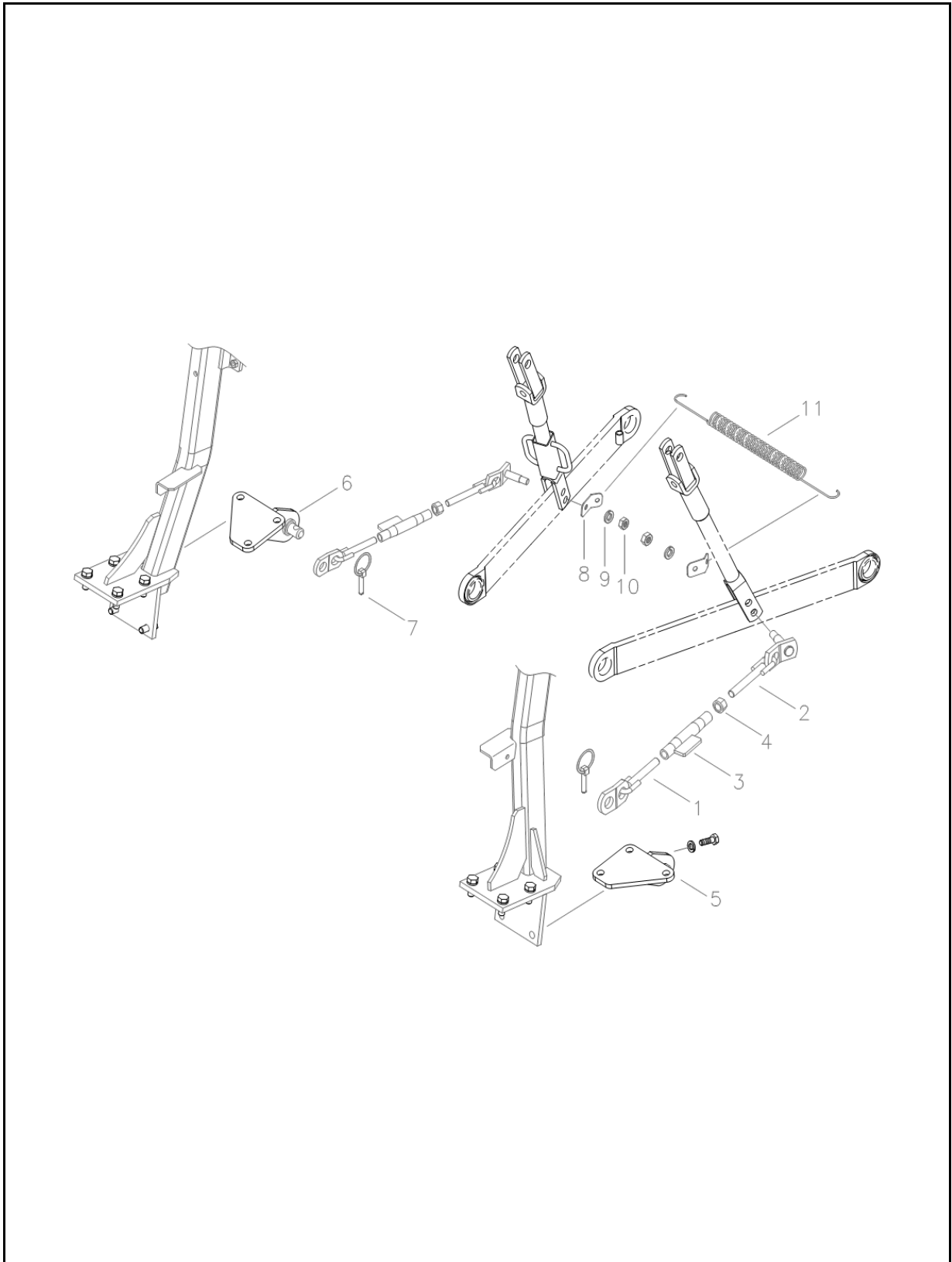
**FIG. 9-13**

| NO. | PART NO.   | PART NAME & DESCRIPTION | QTY |   |   | APP.NO | REM. |
|-----|------------|-------------------------|-----|---|---|--------|------|
|     |            |                         | A   | B | C |        |      |
| 1-5 | A1896528   | LIFT ROD ASSY(LH)       | 1   | 1 |   |        |      |
| 1   | A1896529   | ROD, LOWER LIFT(LH)     | 1   | 1 |   |        |      |
| 2   | A1896524   | ROD, UPPER LIFT         | 1   | 1 |   |        |      |
| 3   | A1896087   | JOINT, LIFT ROD         | 1   | 1 |   |        |      |
| 4   | A1896593   | PIN, LIFT ROD           | 1   | 1 |   |        |      |
| 5   | S810016003 | RING, SNAP              | 1   | 1 |   |        |      |
| 2-9 | A1896523   | LIFT ROD ASSY(RH)       | 1   | 1 |   |        |      |
| 6   | A0730009   | NIPPLE                  | 1   | 1 |   |        |      |
| 7   | A1896525   | ROD, LOWER LIFT(RH)     | 1   | 1 |   |        |      |
| 8   | A1896526   | SLEEVE, LIFT ROD        | 1   | 1 |   |        |      |
| 9   | A1896527   | HANDLE, LIFT ROD        | 1   | 1 |   |        |      |
| 10  | A1896530   | PIN, LIFT ROD(UPPER)    | 2   | 2 |   |        |      |
| 11  | 3A1970091  | PIN, SNAP               | 2   | 2 |   |        |      |
|     |            |                         |     |   |   |        |      |
|     |            |                         |     |   |   |        |      |
|     |            |                         |     |   |   |        |      |
|     |            |                         |     |   |   |        |      |
|     |            |                         |     |   |   |        |      |
|     |            |                         |     |   |   |        |      |
|     |            |                         |     |   |   |        |      |
|     |            |                         |     |   |   |        |      |

# CHECK LINK

FIG. 9-14

G. 896



# CHECK LINK

A-NOT AVAILABLE / B-i28,i36

A-NOT AVAILABLE / B-i28,i36

**FIG. 9-14**

| NO. | PART NO.   | PART NAME & DESCRIPTION  | QTY |   |   | APP.NO | REM. |
|-----|------------|--------------------------|-----|---|---|--------|------|
|     |            |                          | A   | B | C |        |      |
| 1-4 | A1896471   | CHECK CHAIN ASSY         | 2   | 2 |   |        |      |
| 1   | A1896589   | CHAIN(F)                 | 1   | 1 |   |        |      |
| 2   | A1896536   | CHAIN(R)                 | 1   | 1 |   |        |      |
| 3   | A1896597   | TURN BUCKLE              | 1   | 1 |   |        |      |
| 4   | S301160013 | NUT                      | 1   | 1 |   |        |      |
| 5   | A1896587   | BRACKET, CHECK CHAIN(LH) | 1   | 1 |   |        |      |
| 6   | A1896588   | BRACKET, CHECK CHAIN(RH) | 1   | 1 |   |        |      |
| 7   | 3A1896081  | PIN, LINK                | 2   | 2 |   |        |      |
| 8   | A1896333   | BRACKET, SPRING          | 2   | 2 |   |        |      |
| 9   | S361140013 | WASHER, SPRING           | 2   | 2 |   |        |      |
|     |            | Φ24.5XΦ14.2X3.5t         |     |   |   |        |      |
| 10  | S314140013 | NUT, HEX                 | 2   | 2 |   |        |      |
|     |            | M14X1.5                  |     |   |   |        |      |
| 11  | A1896539   | SPRING, LOWER LINK       | 1   | 1 |   |        |      |
|     |            |                          |     |   |   |        |      |
|     |            |                          |     |   |   |        |      |
|     |            |                          |     |   |   |        |      |
|     |            |                          |     |   |   |        |      |
|     |            |                          |     |   |   |        |      |
|     |            |                          |     |   |   |        |      |
|     |            |                          |     |   |   |        |      |
|     |            |                          |     |   |   |        |      |
|     |            |                          |     |   |   |        |      |
|     |            |                          |     |   |   |        |      |
|     |            |                          |     |   |   |        |      |
|     |            |                          |     |   |   |        |      |
|     |            |                          |     |   |   |        |      |
|     |            |                          |     |   |   |        |      |

※ Contents에서 목차불러오기 실행후 각 그룹 위에 삽입함.

|                              |                       |
|------------------------------|-----------------------|
| ■ 엔진 주변 부품<br>FIG 2~         | ENGINE                |
| ■ 동력 전달<br>FIG 3~            | TM                    |
| ■ 차동 장치<br>FIG 4~            | DIFF. LOCK            |
| ■ 앞차축, 뒷차축<br>FIG 5~         | FRONT, REAR AXLE      |
| ■ 조향 장치<br>FIG 6~            | STEERING SYSTEM       |
| ■ 브레이크 장치<br>FIG 7~          | BRAKE                 |
| ■ 전기 장치<br>FIG 8~            | ELECTRICAL SYSTEM     |
| ■ 유압 장치<br>FIG 9~            | HYDRAULIC SYSTEM      |
| ■ 외장<br>FIG 10~              | SHEET METAL, INTERIOR |
| ■ 공구, 데칼<br>FIG 11<br>FIG 12 | TOOLS & DECAL         |
| ■ 선택 사양<br>FIG 13            | OPTION                |

4/1/2006









4/1/2006

# 본 체 부 품

## ■ 엔진 주변 부품

|              |          |        |
|--------------|----------|--------|
| 연료 탱크 -----  | FIG. 2-1 | G. 040 |
| 조속장치 -----   | FIG. 2-2 | G. 100 |
| 소음기 -----    | FIG. 2-3 | G. 150 |
| 라디에이터 -----  | FIG. 2-4 | G. 170 |
| 에어크리너 -----  | FIG. 2-5 | G. 190 |
| 엔진 프레임 ----- | FIG. 2-6 | G. 100 |

## ■ 동력 전달

|                     |           |             |                |
|---------------------|-----------|-------------|----------------|
| 클러치 -----           | FIG. 3-1  | G. 250      | (MEC)          |
| 댐퍼 -----            | FIG. 3-1  | G. 250      | (HST)          |
| 클러치 하우징 -----       | FIG. 3-2  | G. 250      | (MEC)          |
| 유압미션 -----          | FIG. 3-2  | G. 270      | (HST)          |
| 클러치페달 -----         | FIG. 3-3  | G. 260      | (MEC)          |
| 트랜스미션 케이스 -----     | FIG. 3-4  | G. 280      | (MEC)          |
| 트랜스미션 케이스 -----     | FIG. 3-4  | G. 280      | (HST)          |
| 주 축 -----           | FIG. 3-5  | G. 281      | (MEC)          |
| 부변속 축 -----         | FIG. 3-6  | G. 285      | (MEC)          |
| 부변속 축 -----         | FIG. 3-6  | G. 285      | (HST)          |
| 피티오 축 -----         | FIG. 3-7  | G. 283,287  | (MEC)          |
| 피티오 축 -----         | FIG. 3-7  | G. 283,287  | (HST)          |
| 피티오 구동축 -----       | FIG. 3-8  | G. 287      | (PTO/3)        |
| 피티오 구동축 -----       | FIG. 3-8  | G. 287      | (PTO/1, M/PTO) |
| 전륜 구동 축 -----       | FIG. 3-9  | G. 288      |                |
| 전륜 구동 축 -----       | FIG. 3-9  | G. 288, 380 |                |
| 변속레버 및 포크 -----     | FIG. 3-10 | G. 290      | (MEC)          |
| HST 컨트롤 -----       | FIG. 3-10 | G. 292      | (HST)          |
| 변속레버 및 포크 -----     | FIG. 3-11 | G. 290,293  | (MEC)          |
| 변속레버 및 포크 -----     | FIG. 3-11 | G. 290,293  | (HST)          |
| 변속레버 및 포크 -----     | FIG. 3-11 | G. 290-293  | (PTO/3, GSP)   |
| 미들 피티오 축 및 레버 ----- | FIG. 3-12 | G. 287,293  | (M/PTO)        |

## ■ 차동 장치

|               |          |        |       |
|---------------|----------|--------|-------|
| 차동 고정장치 ----- | FIG. 4-1 | G. 320 | (MEC) |
| 차동 고정장치 ----- | FIG. 4-1 | G. 320 | (HST) |
| 차동장치 -----    | FIG. 4-2 | G. 310 |       |

## ■ 앞차축, 뒷차축

|                |          |        |
|----------------|----------|--------|
| 앞차축 조립체 -----  | FIG. 5-1 | G. 400 |
| 앞차축 케이스 -----  | FIG. 5-2 | G. 400 |
| 앞차축 케이스 -----  | FIG. 5-3 | G. 400 |
| 앞차축 차동장치 ----- | FIG. 5-4 | G. 400 |
| 앞차축 구동장치 ----- | FIG. 5-5 | G. 400 |
| 뒷차축 최종구동 ----- | FIG. 5-6 | G. 400 |
| 앞, 뒤 타이어 ----- | FIG. 5-7 | G. 490 |

## ■ 조향 장치

# 본 체 부 품

|                     |             |        |                       |
|---------------------|-------------|--------|-----------------------|
| 타이로드 -----          | FIG. 6-1    | G. 610 |                       |
| 조향라인 -----          | FIG. 6-2    | G. 630 |                       |
| 조향 휠 및 칼럼 -----     | FIG. 6-3    | G. 630 |                       |
| 조향 실린더 -----        | FIG. 6-4    | G. 630 |                       |
| 쿨러 -----            | FIG. 6-5    | G. 640 | (HST)                 |
| <b>■ 브레이크 장치</b>    |             |        |                       |
| 브레이크 -----          | FIG. 7-1    | G. 650 |                       |
| 브레이크페달 -----        | FIG. 7-2    | G. 670 | (MEC)                 |
| 브레이크페달 -----        | FIG. 7-2    | G. 670 | (HST)                 |
| 주차브레이크 -----        | FIG. 7-3    | G. 670 |                       |
| 주차브레이크 -----        | FIG. 7-3    | G. 670 |                       |
| <b>■ 전기 장치</b>      |             |        |                       |
| 전기 배선 -----         | FIG. 8-1    | G. 730 |                       |
| 축전지 -----           | FIG. 8-2    | G. 740 |                       |
| 계기 패널 -----         | FIG. 8-3A-1 | G. 750 | (MEC)                 |
| 전기 스위치 -----        | FIG. 8-3A-2 | G. 750 | (MEC)                 |
| 계기 패널 -----         | FIG. 8-3B-1 | G. 750 | (HST)                 |
| 전기 스위치 -----        | FIG. 8-3B-2 | G. 750 | (HST)                 |
| 램프 -----            | FIG. 8-4    | G. 760 |                       |
| <b>■ 유압 장치</b>      |             |        |                       |
| 유압 하우징 -----        | FIG. 9-1    | G. 820 | (W/O DRAFT)           |
| 유압 하우징 -----        | FIG. 9-1    | G. 820 | (W/D DRAFT)           |
| 리프트 제어밸브 및 링크 ----- | FIG. 9-2    | G. 822 | (W/O DRAFT)           |
| 리프트 제어밸브 및 링크 ----- | FIG. 9-2    | G. 822 |                       |
| TM 제어 밸브 -----      | FIG. 9-3    | G. 822 |                       |
| 유압인출 및 로더밸브 -----   | FIG. 9-4    | G. 822 | (F/ OUTLET VALVE)     |
| 유압인출 및 로더밸브 -----   | FIG. 9-4    | G. 822 | (LOADER VALVE)        |
| 유압 라인 -----         | FIG. 9-5    | G. 823 | (F/OUTLET)            |
| 유압 라인 -----         | FIG. 9-5    | G. 823 | (LOADER VALVE)        |
| 유압 제어 링크 -----      | FIG. 9-6    | G. 824 | (W/O DRAFT)           |
| 유압 제어 링크 -----      | FIG. 9-6    | G. 824 | (W/DRAFT)             |
| 유압 제어 레버 -----      | FIG. 9-7    | G. 825 | (W/O DRAFT)           |
| 유압 실린더 -----        | FIG. 9-8    | G. 826 |                       |
| 원격 유압 밸브 및 라인 ----- | FIG. 9-9    | G. 827 | (SD5/2)               |
| 원격 유압 밸브 및 라인 ----- | FIG. 9-9    | G. 827 | (SD5/1)               |
| 원격 유압 밸브 및 라인 ----- | FIG. 9-9    | G. 827 |                       |
| 상부 링크 브라켓트 -----    | FIG. 9-10   | G. 828 |                       |
| 상부 링크 브라켓트 -----    | FIG. 9-10   | G. 828 |                       |
| 드로바 히치 -----        | FIG. 9-11   | G. 891 | (FIXED HITCH)         |
| 드로바 히치 -----        | FIG. 9-11   | G. 891 | (TELESCOPIC DRAWBAR)  |
| 드로바 히치 -----        | FIG. 9-11   | G. 891 | (CLEVIS DRAWBAR (CE)) |
| 상부 및 하부 링크 -----    | FIG. 9-12   | G. 896 | (GENERAL )            |
| 상부 및 하부 링크 -----    | FIG. 9-12   | G. 896 | (AUTO/H)              |

# 본 체 부 품

|           |       |           |        |  |
|-----------|-------|-----------|--------|--|
| 리프트 로드    | ----- | FIG. 9-13 | G. 896 |  |
| 체크링크      | ----- | FIG. 9-14 | G. 896 |  |
| 수평제어 유압라인 | ----- | FIG. 9-15 | G. 896 |  |

## ■ 외장

|       |       |               |        |          |
|-------|-------|---------------|--------|----------|
| 후드    | ----- | FIG. 10-1A-1  | G. 830 | (C-LOOK) |
| 후드    | ----- | FIG. 10-1A-2  | G. 830 | (C-LOOK) |
| 후드    | ----- | FIG. 10-1B-1  | G. 830 | (M-LOOK) |
| 후드    | ----- | FIG. 10-1B-2  | G. 830 | (M-LOOK) |
| 후드    | ----- | FIG. 10-1C-1  | G. 830 | (R-LOOK) |
| 후드    | ----- | FIG. 10-1C-2  | G. 830 | (R-LOOK) |
| 후드    | ----- | FIG. 10-2     | G. 830 | (MEC)    |
| 후드    | ----- | FIG. 10-2     | G. 830 | (HST)    |
| 발판    | ----- | FIG. 10-3A-1  | G. 840 | (MEC)    |
| 발판    | ----- | FIG. 10-3A-2  | G. 840 | (MEC)    |
| 발판    | ----- | FIG. 10-3B-1  | G. 840 | (HST)    |
| 발판    | ----- | FIG. 10-3B-2  | G. 840 | (HST)    |
| 발판    | ----- | FIG. 10-3B-3  | G. 840 | (HST)    |
| 발판    | ----- | FIG. 10-3B-4  | G. 840 | (HST)    |
| 의자    | ----- | FIG. 10-4     | G. 850 |          |
| 의자    | ----- | FIG. 10-4     | G. 850 |          |
| 펜더    | ----- | FIG. 10-14    | G. 870 |          |
| 펜더    | ----- | FIG. 10-14B-1 | G. 870 | (HST)    |
| 펜더    | ----- | FIG. 10-14B-2 | G. 870 | (HST)    |
| 펜더    | ----- | FIG. 10-14B-3 | G. 870 | (HST)    |
| 펜더    | ----- | FIG. 10-14B-4 | G. 870 | (HST)    |
| 보호구조물 | ----- | FIG. 10-15    | G. 880 | (R/ROPS) |
| 보호구조물 | ----- | FIG. 10-15    | G. 880 | (R/ROPS) |
| 보호구조물 | ----- | FIG. 10-15    | G. 880 | (F/ROPS) |
| 안전프레임 | ----- | FIG. 10-15    | G. 880 | (F/ROPS) |

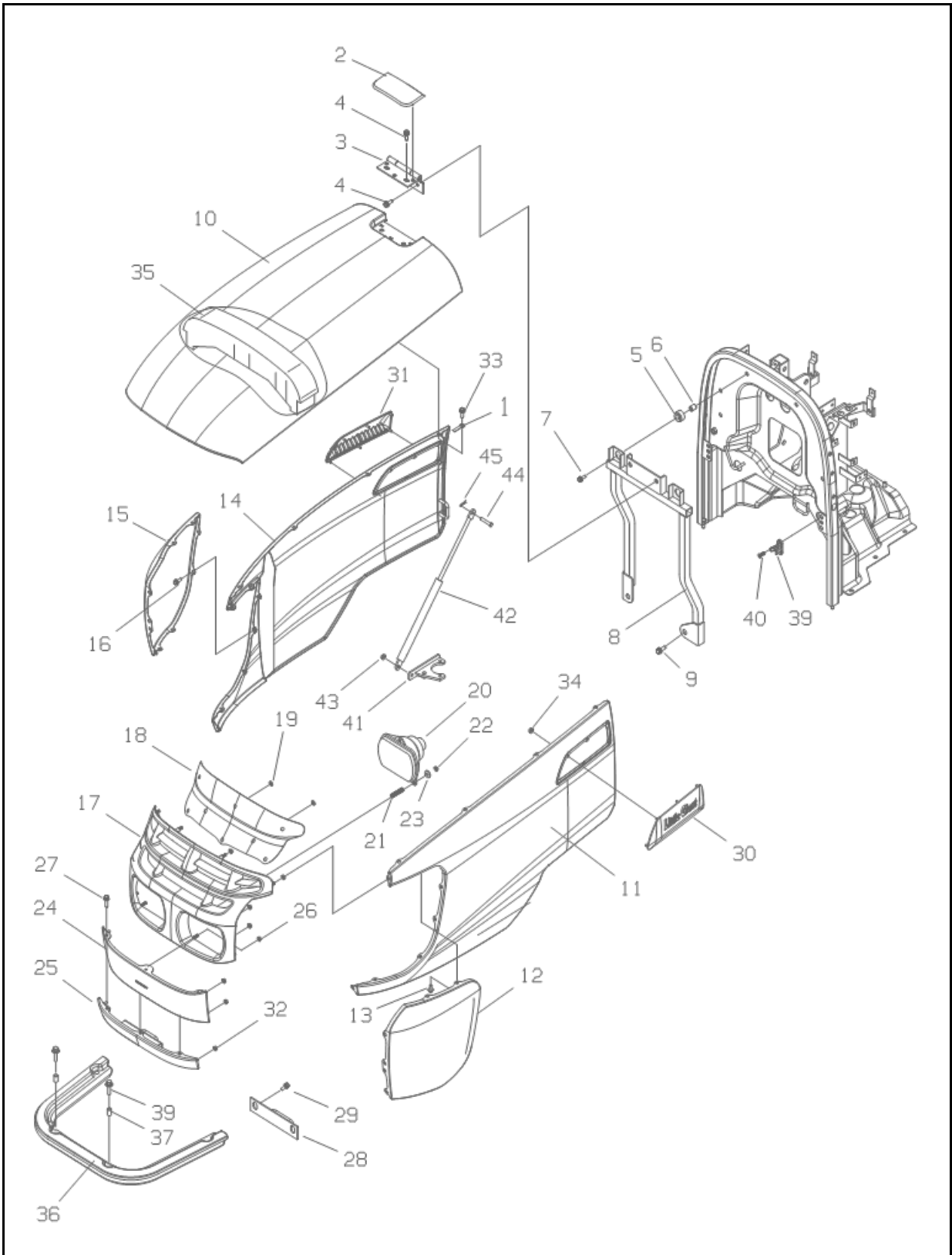
## ■ 공구, 데칼

|    |       |           |        |  |
|----|-------|-----------|--------|--|
| 공구 | ----- | FIG. 11-1 | G. 920 |  |
| 데칼 | ----- | FIG. 12-1 | G. 980 |  |

# HOOD

FIG. 10-1C-2

G. 830





# HOOD

A-NOT AVAILABLE / B-i28,i36

A-NOT AVAILABLE / B-i28,i36

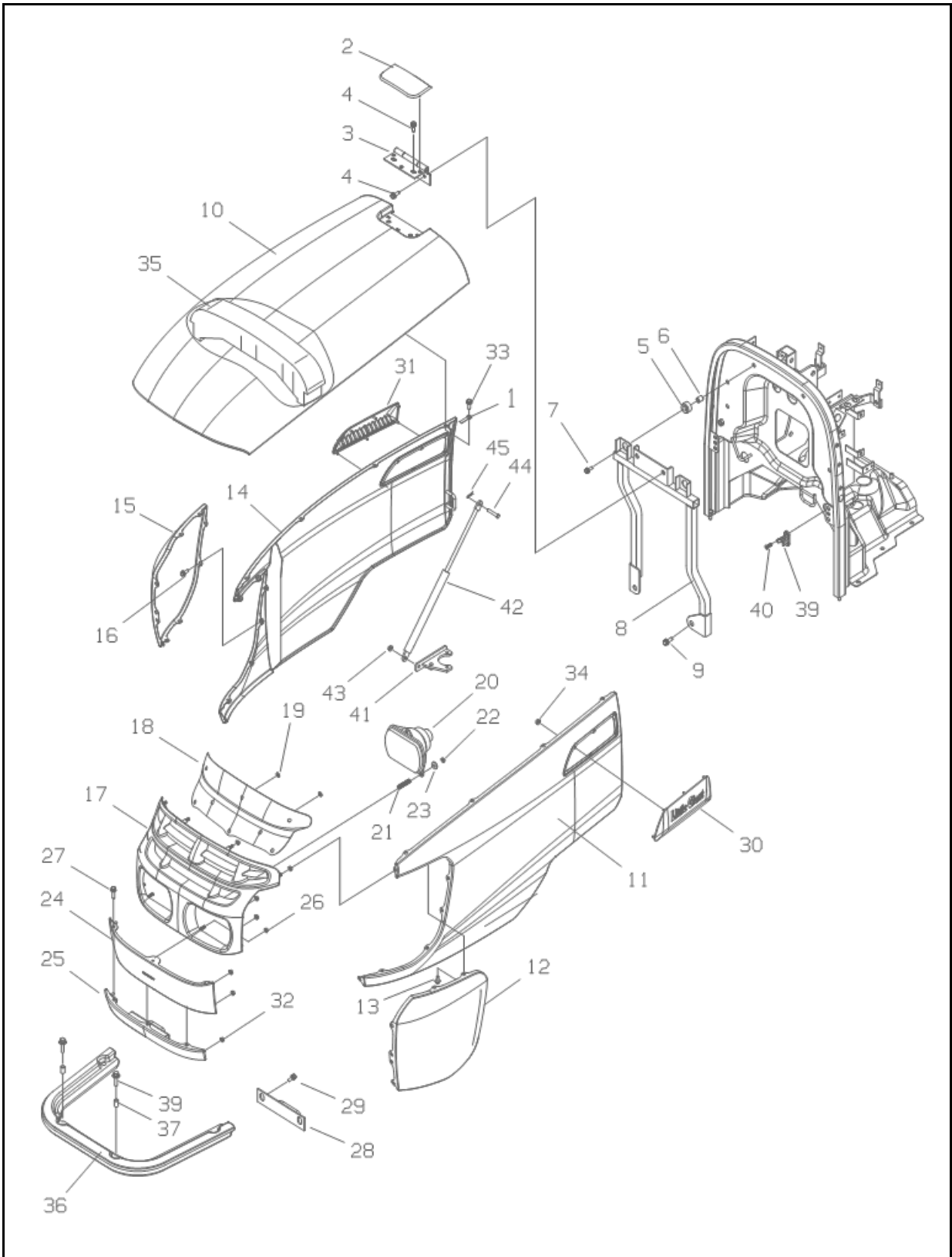
**FIG. 10-1C-2 AG ( R-LOOK )**

| NO.   | PART NO.   | PART NAME & DESCRIPTION | QTY |    |   | APP.NO | REM. |
|-------|------------|-------------------------|-----|----|---|--------|------|
|       |            |                         | A   | B  | C |        |      |
| 1     | A0640015   | CLAMP, RING             | 3   | 3  |   |        |      |
| 2     | A1830257   | COVER, HINGE            | 1   | 1  |   |        |      |
| 3     | A1830258   | HINGE                   | 1   | 1  |   |        |      |
| 4     | S159082033 | BOLT, HEX. W/WASHER     | 4   | 4  |   |        |      |
| 5     | A1830574   | MOUNT RUBBER            | 2   | 2  |   |        |      |
| 6     | A1830575   | SPACER, RUBBER MOUNT    | 2   | 2  |   |        |      |
| 7     | S159083533 | BOLT, HEX. W/WASHER     | 2   | 2  |   |        |      |
| 8     | A1830663   | SUPPORT, BONNET         | *   | 1  |   |        | S4L  |
|       | A1830729   | SUPPORT, BONNET         | 1   | *  |   |        | L3A  |
| 9     | S154102533 | BOLT, HEX. W/WASHER     | 2   | 2  |   |        |      |
| 10    | A1830718   | HOOD, BONNET            | 1   | 1  |   |        |      |
| 11~13 | A1830719   | SIDE COVER ASSY LH      | 1   | 1  |   |        |      |
| 11    | A1830721   | COVER, SIDE LH          | 1   | 1  |   |        |      |
| 12    | A1830622   | SIDE GRILLE, LH         | 1   | 1  |   |        |      |
| 13    | S155061233 | BOLT, HEX W/WASHER      | 6   | 6  |   |        |      |
| 14~16 | A1830720   | SIDE COVER ASSY RH      | 1   | 1  |   |        |      |
| 14    | A1830722   | COVER, SIDE RH          | 1   | 1  |   |        |      |
| 15    | A1830723   | SIDE GRILLE, RH         | 1   | 1  |   |        |      |
| 16    | S155061233 | BOLT, HEX W/WASHER      | 6   | 6  |   |        |      |
| 17~29 | A1830723   | GRILLE ASSY             | 1   | 1  |   |        |      |
| 17    | A1830616   | GRILLE, UPPER           | 1   | 1  |   |        |      |
| 18    | A1830619   | NET, GRILLE             | 1   | 1  |   |        |      |
| 19    | A1970340   | NUT, SPEED              | 8   | 8  |   |        |      |
| 20    | A1760044   | HEAD LAMP ASSY          | 2   | 2  |   |        |      |
| 21    | A1760003   | SPRING                  | 6   | 6  |   |        |      |
| 22    | A1970309   | NUT, LOCK               | 6   | 6  |   |        |      |
| 23    | S364060013 | WASHER, PLN. F-RD       | 6   | 6  |   |        |      |
| 24    | A1830617   | GRILLE, CENTER          | 1   | 1  |   |        |      |
| 25    | A1830724   | GRILLE, UNDER           | 1   | 1  |   |        |      |
| 26    | S345060013 | NUT, FLANGE             | 3   | 3  |   |        |      |
| 27    | S155061633 | BOLT, HEX               | 3   | 3  |   |        |      |
| 28    | A1830777   | HANGER                  | 1   | 1  |   |        |      |
| 29    | S159082033 | BOLT, HEX W/WASHER      | 2   | 2  |   |        |      |
| 30    | A1830620   | COVER, EXHAUST LH       | 1   | 1  |   |        |      |
| 31    | A1830621   | COVER, EXHAUST RH       | 1   | 1  |   |        |      |
| 32    | S345060013 | NUT, FLANGE             | 14  | 14 |   |        |      |
| 33    | S159061633 | BOLT, HEX               | 8   | 8  |   |        |      |
| 34    | S345050013 | NUT, FLANGE             | 6   | 6  |   |        |      |
| 35    | A1830660   | SEAL, UPPER R-LOOK      | 1   | 1  |   |        |      |
| 36    | A1830657   | SEAL, UNDER R-LOOK      | 1   | 1  |   |        |      |
| 37    | A1830659   | SPACER                  | 4   | 4  |   |        |      |
| 38    | S159083533 | BOLT, HEX. W/WASHER     | 4   | 4  |   |        |      |
| 39    | A1830442   | GUIDE, HOOD             | 2   | 2  |   |        |      |
| 40    | S220802511 | SCREW                   | 4   | 4  |   |        |      |
| 41    | A1830649   | BRACKET, GAS SPRING     | *   | 1  |   |        | S4L  |

# HOOD

FIG. 10-1C-2

G. 830



# HOOD

A-NOT AVAILABLE / B-i28,i36

A-NOT AVAILABLE / B-i28,i36

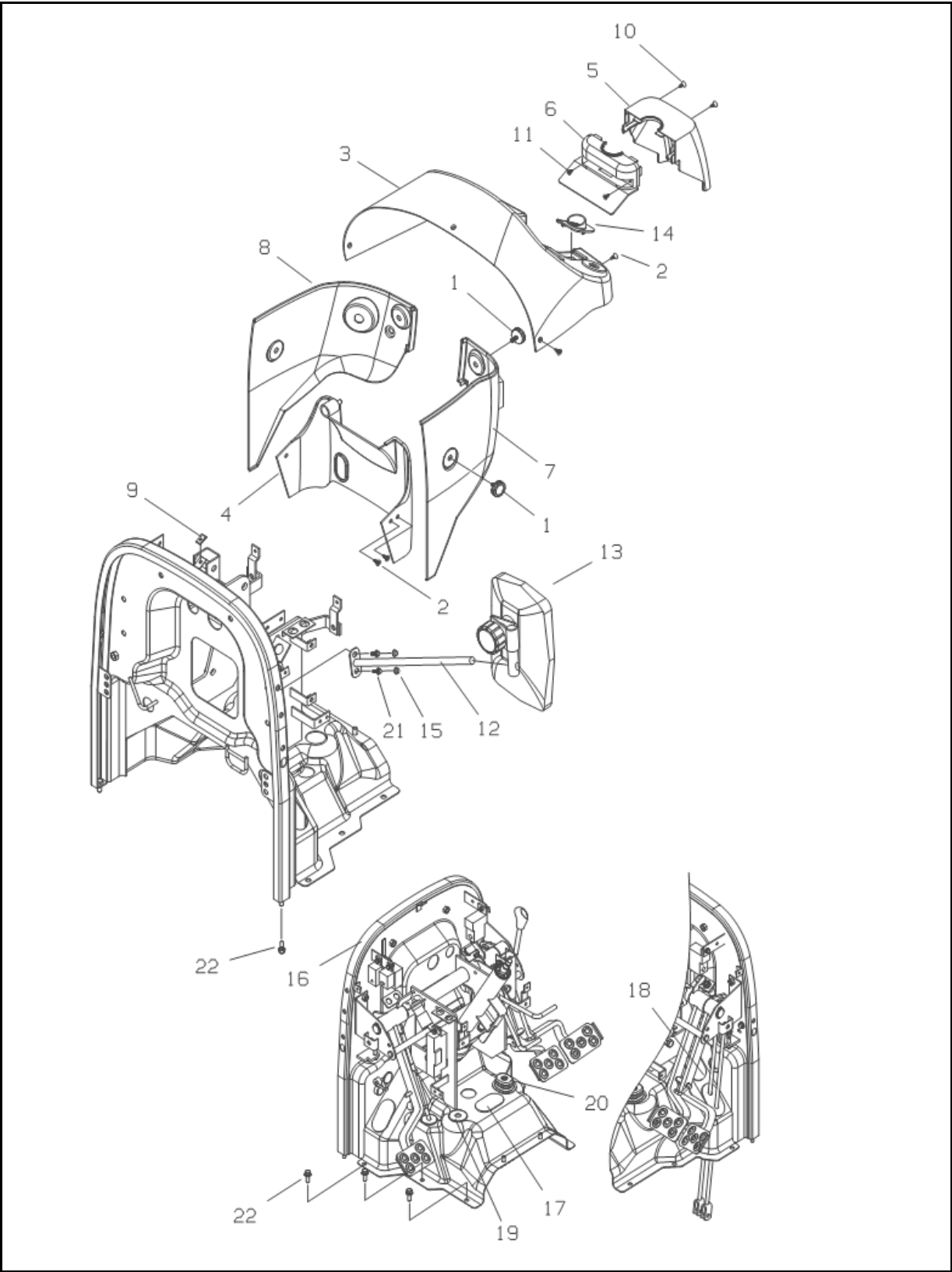
**FIG. 10-1C-2 AG (R-LOOK)**

| NO. | PART NO.   | PART NAME & DESCRIPTION | QTY |   |   | APP.NO | REM. |
|-----|------------|-------------------------|-----|---|---|--------|------|
|     |            |                         | A   | B | C |        |      |
| 41  | A1830732   | BRACKET, GAS SPRING     | 1   | * |   |        | L3A  |
| 42  | A1830673   | GAS CYLINDER            | 1   | 1 |   |        |      |
| 43  | S345080013 | NUT, FLANGE B-TYPE      | 1   | 1 |   |        |      |
| 44  | S427083523 | PIN, HEAD B-TYPE        | 1   | 1 |   |        |      |
| 45  | S443080013 | PIN, SNAP A-TYPE        | 1   | 1 |   |        |      |
|     |            |                         |     |   |   |        |      |
|     |            |                         |     |   |   |        |      |
|     |            |                         |     |   |   |        |      |
|     |            |                         |     |   |   |        |      |
|     |            |                         |     |   |   |        |      |
|     |            |                         |     |   |   |        |      |
|     |            |                         |     |   |   |        |      |
|     |            |                         |     |   |   |        |      |
|     |            |                         |     |   |   |        |      |
|     |            |                         |     |   |   |        |      |
|     |            |                         |     |   |   |        |      |

# BODY PANEL

FIG. 10-2A

G. 830



# BODY PANEL

A-NOT AVAILABLE / B-i28,i36

A-NOT AVAILABLE / B-i28,i36

**FIG. 10-2A**

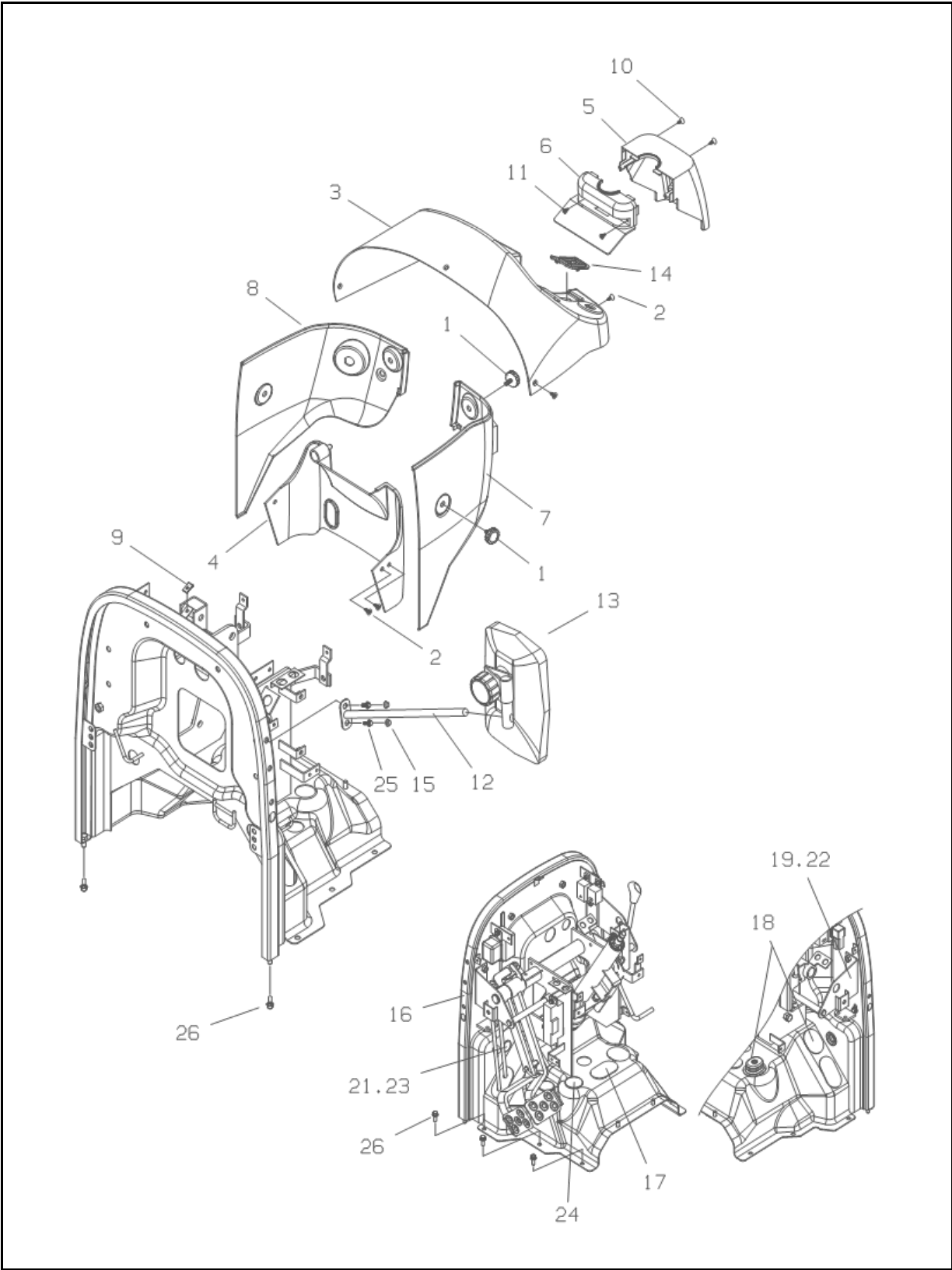
**( MEC )**

| NO.   | PART NO.   | PART NAME & DESCRIPTION | QTY |   |   | APP.NO | REM. |
|-------|------------|-------------------------|-----|---|---|--------|------|
|       |            |                         | A   | B | C |        |      |
| 1     | A0711065   | KNOB                    | 4   | 4 |   |        |      |
| 2     | A1830417   | SCREW, TP. CRS, CSNK.   | 8   | 8 |   |        |      |
| 3     | A1830558   | PANEL, BODY UPPER       | 1   | 1 |   |        |      |
| 4     | A1830559   | PANEL, BODY UNDER       | 1   | 1 |   |        |      |
| 5     | A1830560   | COVER, STEERING FRONT   | 1   | 1 |   |        |      |
| 6     | A1830576   | COVER, STEERING REAR    | 1   | 1 |   |        |      |
| 7     | A1830582   | PANEL, BODY LH          | 1   | 1 |   |        |      |
| 8     | A1830583   | PANEL, BODY RH          | 1   | 1 |   |        |      |
| 9     | A1970279   | PLATE, LOCK             | 8   | 8 |   |        |      |
| 10    | S219602011 | SCREW                   | 2   | 2 |   |        |      |
| 11    | S237401611 | SCREW, TP.CRS,PAN       | 2   | 2 |   |        |      |
| 12    | A1830573   | STAY, REAR VIEW MIRROR  | 1   | 1 |   |        |      |
| 13    | A1920070   | MIRROR, REAR VIEW       | 1   | 1 |   |        |      |
| 14    | A1830561   | COVER, F-R CHANGE       | 1   | 1 |   |        |      |
| 15    | A1830283   | CAP, BOLT               | 2   | 2 |   |        |      |
| 16-20 | A1835009   | FEDAL FRAME ASSY        | 1   | 1 |   |        |      |
| 16    | A1830563   | PEDAL FRAME             | 1   | 1 |   |        |      |
| 17    | A1830568   | CAP, BRAKE ROD          | 1   | 1 |   |        |      |
| 18    | A1830579   | CAP, CREEPER LEVER      | 1   | 1 |   |        |      |
| 19    | A1830569   | GROMMET, F-R SHIFT      | 1   | 1 |   |        |      |
| 20    | A1830570   | RUBBER, CREPER LEVER    | 1   | 1 |   |        |      |
| 21    | S159082033 | BOLT, HEX. W/WASHER     | 2   | 2 |   |        |      |
| 22    | S159082533 | BOLT, HEX. W/WASHER     | 8   | 8 |   |        |      |
|       |            |                         |     |   |   |        |      |
|       |            |                         |     |   |   |        |      |
|       |            |                         |     |   |   |        |      |
|       |            |                         |     |   |   |        |      |
|       |            |                         |     |   |   |        |      |

# BODY PANEL

FIG. 10-2B

G. 830



# BODY PANEL

A-NOT AVAILABLE / B-i28,i36

A-NOT AVAILABLE / B-i28,i36

**FIG. 10-2B**

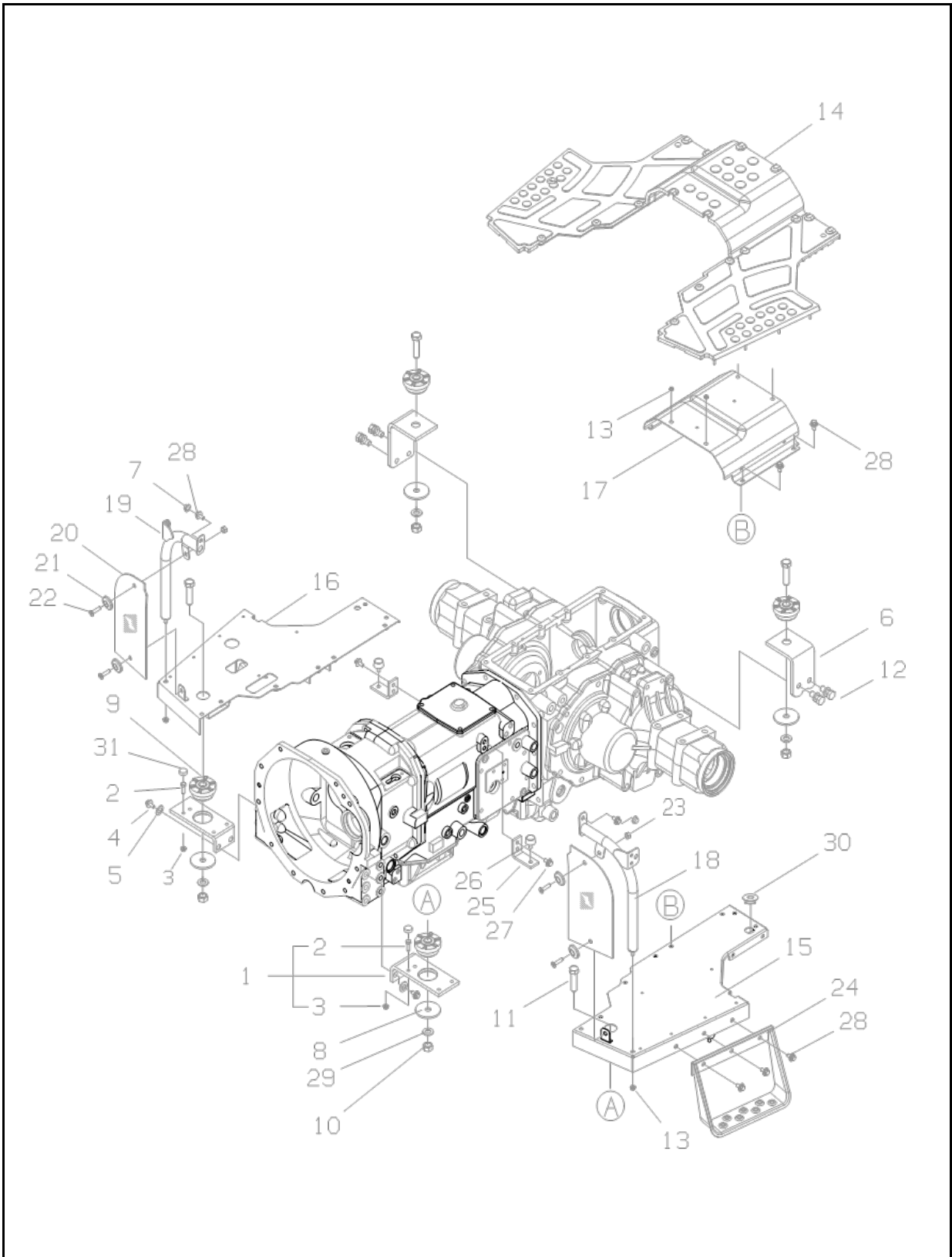
**( HST )**

| NO.   | PART NO.   | PART NAME & DESCRIPTION | QTY |   |   | APP.NO | REM. |
|-------|------------|-------------------------|-----|---|---|--------|------|
|       |            |                         | A   | B | C |        |      |
| 1     | A0711065   | KNOB                    | 4   | 4 |   |        |      |
| 2     | A1830417   | SCREW, TP. CRS, CSNK.   | 8   | 8 |   |        |      |
| 3     | A1830558   | PANEL, BODY UPPER       | 1   | 1 |   |        |      |
| 4     | A1830559   | PANEL, BODY UNDER       | 1   | 1 |   |        |      |
| 5     | A1830560   | COVER, STEERING FRONT   | 1   | 1 |   |        |      |
| 6     | A1830576   | COVER, STEERING REAR    | 1   | 1 |   |        |      |
| 7     | A1830582   | PANEL, BODY LH          | 1   | 1 |   |        |      |
| 8     | A1830583   | PANEL, BODY RH          | 1   | 1 |   |        |      |
| 9     | A1970279   | PLATE, LOCK             | 8   | 8 |   |        |      |
| 10    | S219602011 | SCREW                   | 2   | 2 |   |        |      |
| 11    | S237401611 | SCREW, TP. CRS, PAN     | 2   | 2 |   |        |      |
| 12    | A1830573   | STAY, REAR VIEW MIRROR  | 1   | 1 |   |        |      |
| 13    | A1920070   | MIRROR, REAR VIEW       | 1   | 1 |   |        |      |
| 14    | A1830562   | COVER, CRUISE S/W       | 1   | 1 |   |        |      |
| 15    | A1830283   | CAP, BOLT               | 2   | 2 |   |        |      |
| 16-24 | A1835005   | FEDAL FRAME ASSY        | 1   | 1 |   |        |      |
| 16    | A1830563   | FEDAL FRAME             | 1   | 1 |   |        |      |
| 17    | A1830568   | CAP, BRAKE ROD          | 1   | 1 |   |        |      |
| 18    | A1830579   | CAP, CREEPER LEVER      | 2   | 2 |   |        |      |
| 19    | A1670310   | STOPPER, BRAKE PEDAL    | 1   | 1 |   |        |      |
| 20    | A1830577   | CAP, CLUTCH ROD         | 1   | 1 |   |        |      |
| 21    | A3260012   | RUBBER                  | 1   | 1 |   |        |      |
| 22    | S159082033 | BOLT, HEX               | 2   | 2 |   |        |      |
| 23    | S345080013 | NUT, FLANGE             | 1   | 1 |   |        |      |
| 24    | A1830578   | CAP, F-R SHAFT          | 1   | 1 |   |        |      |
| 25    | S159082033 | BOLT, HEX. W/WASHER     | 2   | 2 |   |        |      |
| 26    | S159082533 | BOLT, HEX. W/WASHER     | 8   | 8 |   |        |      |
|       |            |                         |     |   |   |        |      |
|       |            |                         |     |   |   |        |      |
|       |            |                         |     |   |   |        |      |

# STEP

FIG. 10-3B-4

G. 840





# STEP

A-NOT AVAILABLE / B-i28,i36

A-NOT AVAILABLE / B-i28,i36

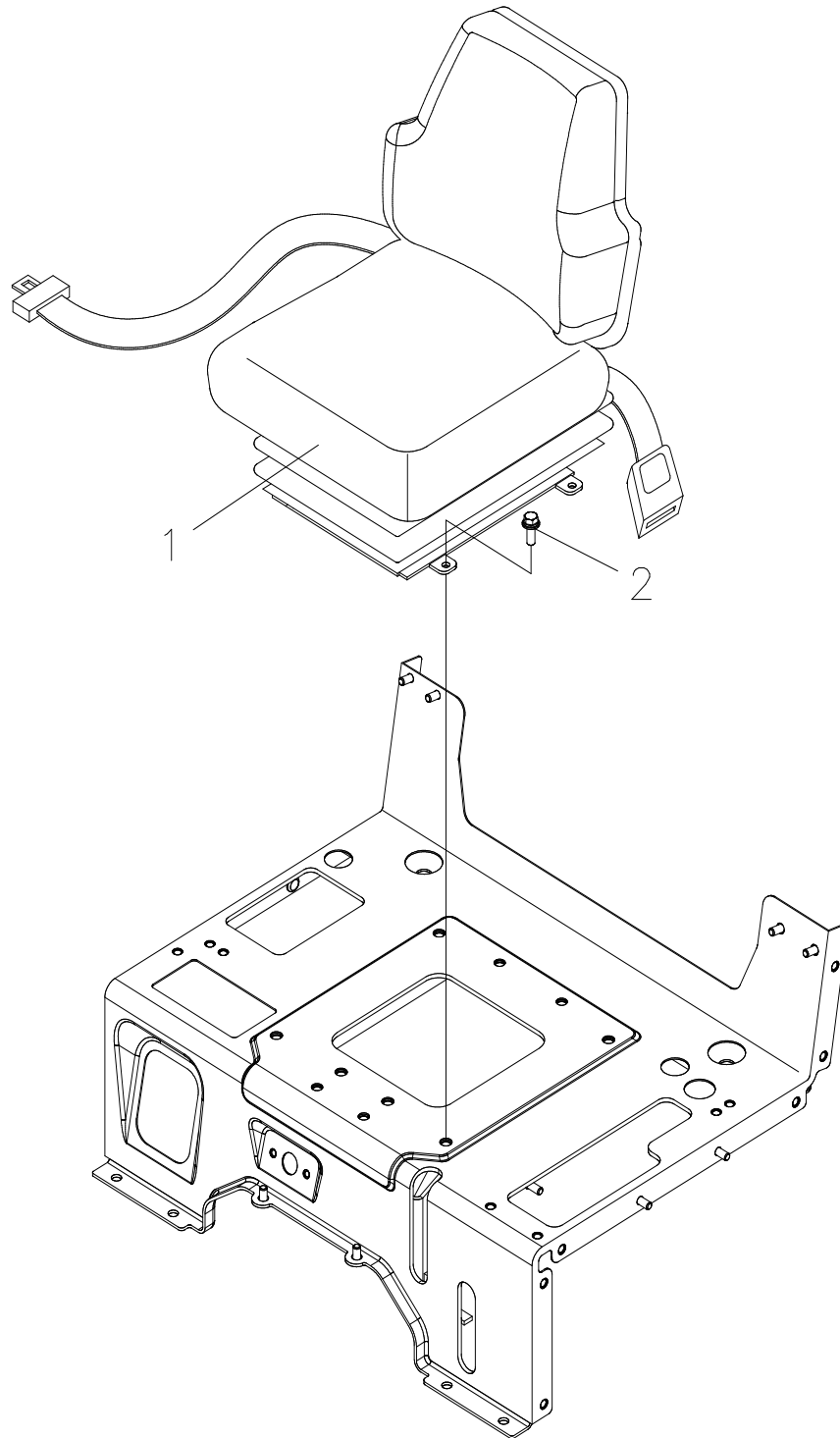
**FIG. 10-3B-4 AG (HST)**

| NO. | PART NO.   | PART NAME & DESCRIPTION | QTY |   |   | APP.NO | REM. |
|-----|------------|-------------------------|-----|---|---|--------|------|
|     |            |                         | A   | B | C |        |      |
| 1   | A1840233   | BRACKET, STEP FRONT     | 2   | 2 |   |        |      |
| 2   | S105082543 | BOLT, HEX.              | 1   | 1 |   |        |      |
| 3   | S345080013 | NUT, FLANGE B-TY.       | 1   | 1 |   |        |      |
| 4   | S101143543 | BOLT, HEX.              | 4   | 4 |   |        |      |
| 5   | S361140013 | WASHER, SPR. 1-TY.      | 4   | 4 |   |        |      |
| 6   | A1840282   | BRACKET, REAR MTG.      | 2   | 2 |   |        |      |
| 7   | A1830283   | CAP, BOLT               | 2   | 2 |   |        |      |
| 8   | A1840236   | WASHER, REBOUND         | 4   | 4 |   |        |      |
| 9   | A1840248   | MOUNT                   | 4   | 4 |   |        |      |
| 10  | S306160043 | NUT, HEX. 2-TYPE        | 4   | 4 |   |        |      |
| 11  | S103166043 | BOLT, HEX               | 4   | 4 |   |        |      |
| 12  | S153123533 | BOLT, HEX, W/WASHER     | 4   | 4 |   |        |      |
| 13  | S345080013 | NUT, FLANGE B-TY.       | 6   | 6 |   |        |      |
| 14  | A1840279   | MAT, STEP               | 1   | 1 |   |        |      |
| 15  | A1840320   | STEP, LH                | 1   | 1 |   |        |      |
| 16  | A1840322   | STEP, RH                | 1   | 1 |   |        |      |
| 17  | A1840252   | STEP, CENTER            | 1   | 1 |   |        |      |
| 18  | A1840241   | FRAME, MUD GUARD LH     | 1   | 1 |   |        |      |
| 19  | A1840242   | FRAME, MUD GUARD RH     | 1   | 1 |   |        |      |
| 20  | A1840243   | PLATE, MUD GUARD        | 2   | 2 |   |        |      |
| 21  | A1862006   | SPACER, GLASS           | 4   | 4 |   |        |      |
| 22  | S220802511 | SCREW, CROSS, CSNK.     | 4   | 4 |   |        |      |
| 23  | A1877079   | NUT, LOCK               | 4   | 4 |   |        |      |
| 24  | A1840247   | STEP, SUB               | 1   | 1 |   |        |      |
| 25  | A1840244   | BRACKET, CENTER MT'G    | 2   | 2 |   |        |      |
| 26  | A1840245   | RUBBER, CENTER MT'G     | 2   | 2 |   |        |      |
| 27  | S153082033 | BOLT, HEX. W/WASHER     | 4   | 4 |   |        |      |
| 28  | S159082033 | BOLT, HEX. W/WASHER     | 9   | 9 |   |        |      |
| 29  | S361160013 | WASHER, SPR. 1-TY.      | 4   | 4 |   |        |      |
| 30  | A1869060   | GROMMET, WIPER FRONT    | 1   | 1 |   |        |      |
| 31  | A1840246   | STOPPER, FRONT MT'G     | 2   | 2 |   |        |      |
|     |            |                         |     |   |   |        |      |
|     |            |                         |     |   |   |        |      |

# SEAT

FIG. 10-4B

G. 850

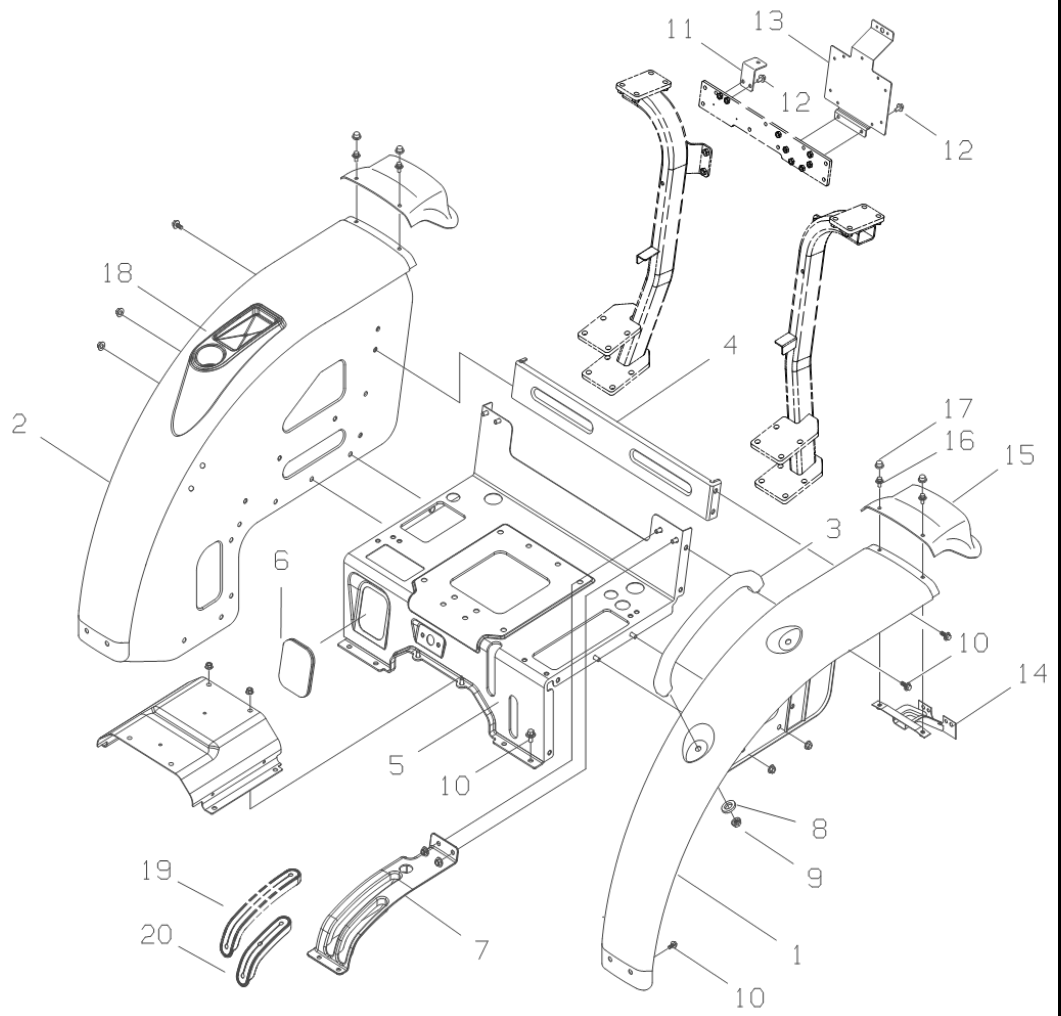




# FENDER

FIG. 10-14B-4

G. 870



# FENDER

A-NOT AVAILABLE / B-i28,i36

A-NOT AVAILABLE / B-i28,i36

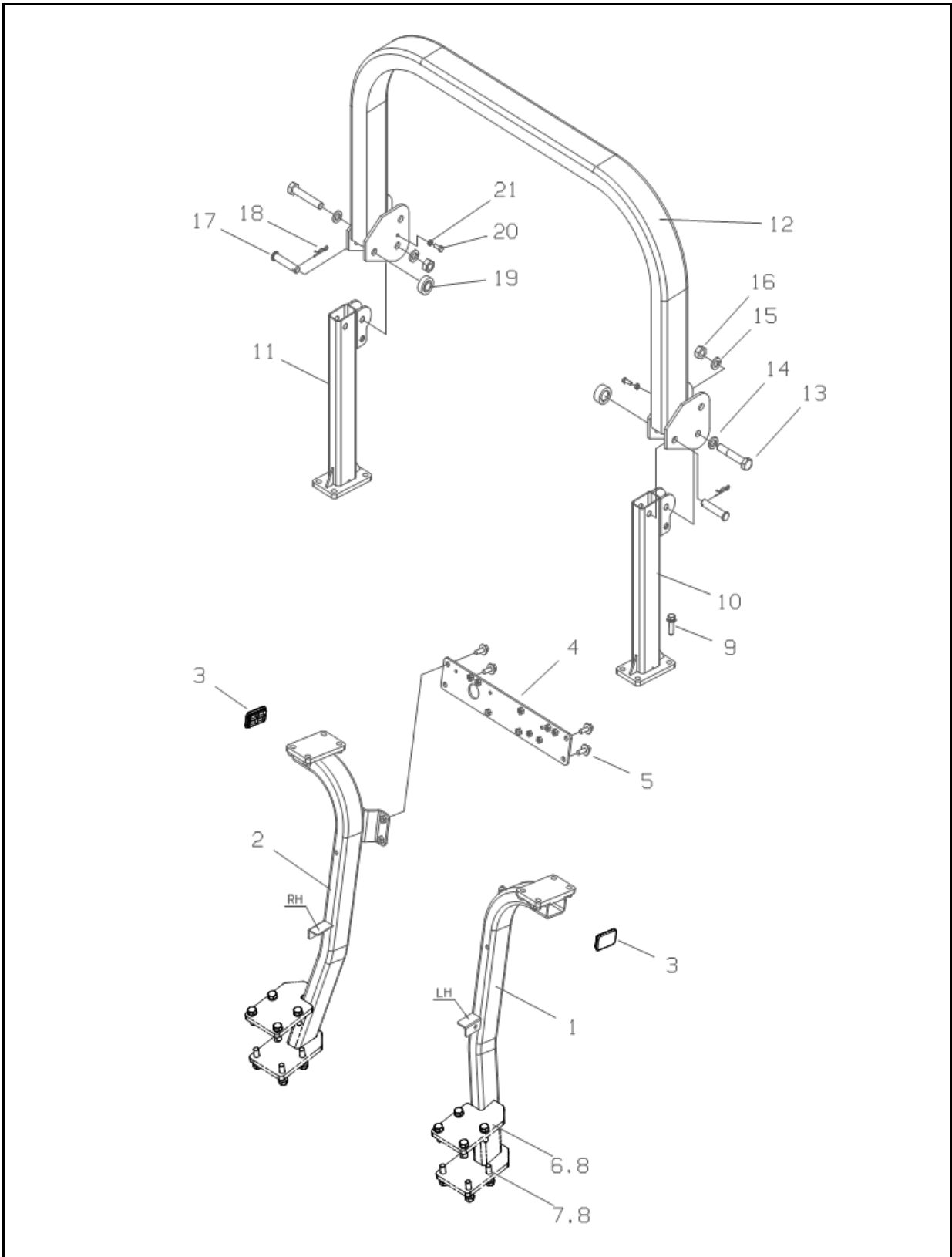
## FIG. 10-14B-4 AG ( HST )

| NO. | PART NO.   | PART NAME & DESCRIPTION | QTY |   |                | APP.NO | REM. |
|-----|------------|-------------------------|-----|---|----------------|--------|------|
|     |            |                         | A   | B | C              |        |      |
| 1   | A1870471   | FENDER, LH              | 1   | 1 |                |        |      |
| 2   | A1870472   | FENDER, RH              | 1   | 1 |                |        |      |
| 3   | A1870410   | HANDLE                  | 1   | 1 |                |        |      |
| 4   | A1870406   | SUPPORT, FENDER         | 1   | 1 |                |        |      |
| 5   | A1870470   | COVER, CENTER           | 1   | 1 |                |        |      |
| 6   | A1870454   | COVER, DUST MAIN LEVER  | 1   | 1 |                |        |      |
| 7   | A1870446   | GUIDE, LEVER            | 1   | 1 |                |        |      |
| 8   | S365082013 | WASHER, PLN. L-RD.      |     |   | DI8.4XD20X1.6t | 4      | 4    |
| 9   | S345080013 | NUT, FLANGE B-TY.       |     |   | M8X1.25        | 12     | 12   |
| 10  | S159082033 | BOLT, HEX. W/WASHER     |     |   | M8X1.25        | 31     | 31   |
| 11  | A1870375   | BRACKET, WORKING LIGHT  | 1   | 1 |                |        |      |
| 12  | S159082533 | BOLT, HEX. W/WASHER     | 4   | 4 |                |        |      |
| 13  | A1920068   | BRACKET, NUMBER         | 1   | 1 |                |        | EC   |
| 14  | A1870408   | BRACKET, EXTENTION      | 2   | 2 |                |        |      |
| 15  | A1870407   | EXTENTION, REAR         | 2   | 2 |                |        |      |
| 16  | S159061613 | BOLT, HEX. W/WASHER     | 4   | 4 |                |        |      |
| 17  | A1830653   | CAP, BOLT               | 4   | 4 |                |        |      |
| 18  | A1870443   | HOLDER, CUP             | 1   | 1 |                |        |      |
| 19  | A1870448   | SEAL, PTO LEVER         | 1   | 1 |                |        |      |
| 20  | A1870447   | SEAL, RANGE SEVER       | 1   | 1 |                |        |      |
|     |            |                         |     |   |                |        |      |
|     |            |                         |     |   |                |        |      |
|     |            |                         |     |   |                |        |      |
|     |            |                         |     |   |                |        |      |
|     |            |                         |     |   |                |        |      |
|     |            |                         |     |   |                |        |      |

# ROPS

FIG. 10-15B

G. 880



# ROPS

A-NOT AVAILABLE / B-i28,i36

A-NOT AVAILABLE / B-i28,i36

**FIG. 10-15B**

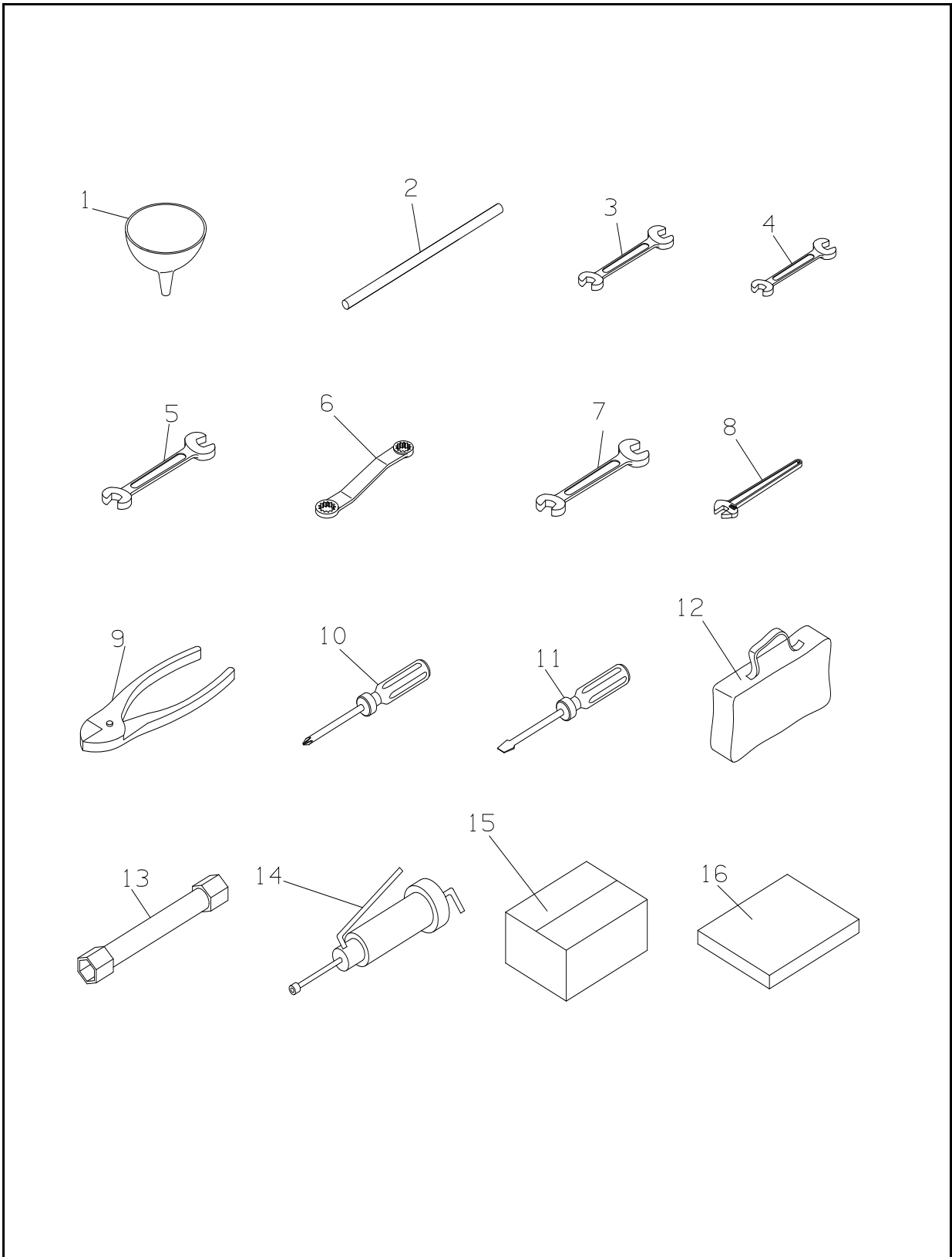
**( R/ROPS )**

| NO.   | PART NO.   | PART NAME & DESCRIPTION  | QTY |    |   | APP.NO | REM. |
|-------|------------|--------------------------|-----|----|---|--------|------|
|       |            |                          | A   | B  | C |        |      |
| 1     | A1880148   | FRAME, ROPS LOWER LH     | 1   | 1  |   |        |      |
| 2     | A1880149   | FRAME, ROPS LOWER RH     | 1   | 1  |   |        |      |
| 3     | A1880155   | COVER, RUBBER            | 2   | 2  |   |        |      |
| 4     | A1880158   | FRAME, ROPS REAR         | 1   | 1  |   |        |      |
| 5     | S154102533 | BOLT, HEX. W/WASHER      | 4   | 4  |   |        |      |
| 6     | S101144043 | BOLT, HEX                | 8   | 8  |   |        |      |
| 7     | S101145043 | BOLT, HEX                | 6   | 6  |   |        |      |
| 8     | S361140013 | WASHER, SPR. I-TY        | 14  | 14 |   |        |      |
| 9     | S155124533 | BOLT, HEX. W/WASHER      | 8   | 8  |   |        |      |
| 10-21 | A1880151   | ROPS UPPER ASSY          | 1   | 1  |   |        |      |
| 10    | A1880153   | PILLAR MID LH, REAR ROPS | 1   | 1  |   |        |      |
| 11    | A1880154   | PILLAR MID RH, REAR ROPS | 1   | 1  |   |        |      |
| 12    | A1880152   | FRAME, ROPS UPPER        | 1   | 1  |   |        |      |
| 13    | S101148043 | BOLT, HEX                | 2   | 2  |   |        |      |
| 14    | S363140013 | WASHER, PLN. S-RD.       | 2   | 2  |   |        |      |
| 15    | S361140013 | WASHER, SPR. 1-TY.       | 2   | 2  |   |        |      |
| 16    | S301140043 | NUT, HEX. 1-TY.          | 2   | 2  |   |        |      |
| 17    | S427148023 | PIN, HEAD B-TY           | 2   | 2  |   |        |      |
| 18    | S443140013 | PIN, SNAP A-TY.          | 2   | 2  |   |        |      |
| 19    | A1877077   | RUBBER, LOWER            | 2   | 2  |   |        |      |
| 20    | S163062043 | BOLT, HEX. F-THRD.       | 2   | 2  |   |        |      |
| 21    | S301060043 | NUT, HEX. 1-TY.          | 2   | 2  |   |        |      |
|       |            |                          |     |    |   |        |      |
|       |            |                          |     |    |   |        |      |
|       |            |                          |     |    |   |        |      |
|       |            |                          |     |    |   |        |      |
|       |            |                          |     |    |   |        |      |

# TOOL

FIG. 11-1

G. 920





# TOOL

A-NOT AVAILABLE / B-i28,i36

A-NOT AVAILABLE / B-i28,i36

**FIG. 11-1**

| NO.  | PART NO.   | PART NAME & DESCRIPTION |              | QTY |   |   | APP.NO | REM. |
|------|------------|-------------------------|--------------|-----|---|---|--------|------|
|      |            |                         |              | A   | B | C |        |      |
| 1    | A0770017   | FUNNEL                  |              | 1   | 1 |   |        |      |
| 2-13 | A1920001   | TOOL KIT, TRACTOR       | FOR 39,45,51 | 1   | 1 |   |        |      |
| 2    | 3A0010200  | TOMMY BAR               | D15X350      | 1   | 1 |   |        |      |
| 3    | A0770026   | SPANNER (12X14)         | 12 X 14      | 1   | 1 |   |        |      |
| 4    | A0770028   | SPANNER (17X19)         | 17X19        | 1   | 1 |   |        |      |
| 5    | A0770030   | SPANNER, DOUBLE END     | 22X24        | 1   | 1 |   |        |      |
| 6    | A0770049   | WRENCH                  | 22X24        | 1   | 1 |   |        |      |
| 7    | A14583371  | SPANNER, DOUBLE END     | 10X13 H HRC  | 1   | 1 |   |        |      |
| 8    | A14584300  | SPANNER, MONKEY         | 300MM        | 1   | 1 |   |        |      |
| 9    | A14584400  | PLIER                   | 200MM        | 1   | 1 |   |        |      |
| 10   | A14584500  | DRIVER (+)              | #3-150 H     | 1   | 1 |   |        |      |
| 11   | A14584600  | DRIVER (-)              | 6X100 H      | 1   | 1 |   |        |      |
| 12   | A1920004   | TOOL BAG                |              | 1   | 1 |   |        |      |
| 13   | A1970227   | SPANNER, BOX (24X27)    | 24X27        | 1   | 1 |   |        |      |
| 14   | A1970224   | GUN, GREASE             | TOP TYPE(400 | 1   | 1 |   |        |      |
| 15   | A500350160 | CARTON BOX (TRACTOR)    | 500*350*160  | 1   | 1 |   |        |      |
| 16   | A1920084   | MANUAL, USER            |              | 1   | 1 |   |        |      |
|      |            |                         |              |     |   |   |        |      |
|      |            |                         |              |     |   |   |        |      |
|      |            |                         |              |     |   |   |        |      |
|      |            |                         |              |     |   |   |        |      |
|      |            |                         |              |     |   |   |        |      |
|      |            |                         |              |     |   |   |        |      |
|      |            |                         |              |     |   |   |        |      |

# DECAL

# DECAL

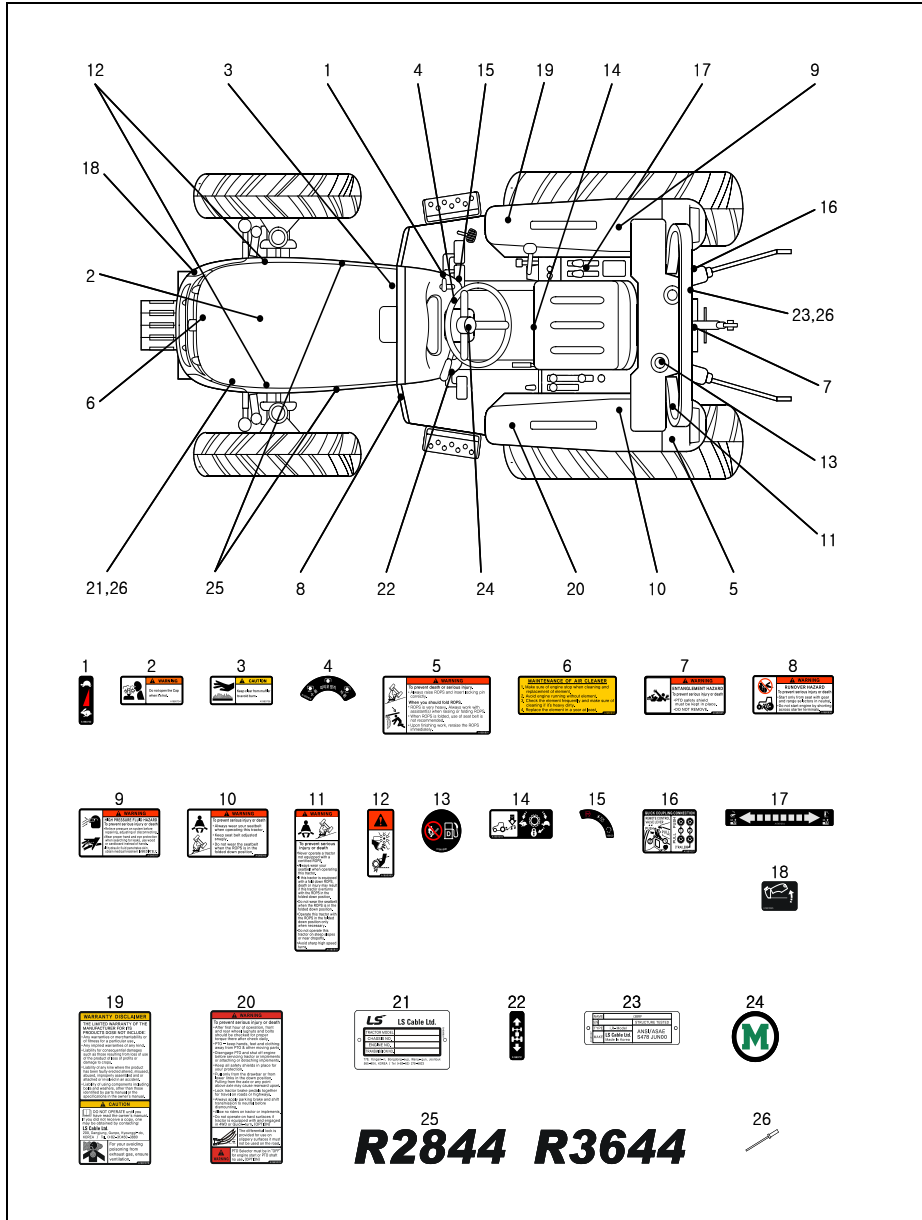
A-NOT AVAILABLE / B-I28,136

A-NOT AVAILABLE / B-I28,136

FIG. 12-1F

G. 980 FIG. 12-1F

( MEC )



| NO. | PART NO.   | PART NAME & DESCRIPTION        | QTY |   |   | APP.NO | REM. |
|-----|------------|--------------------------------|-----|---|---|--------|------|
|     |            |                                | A   | B | C |        |      |
| 01  | A1980722   | DECAL, ACC. LEVER              | 1   | 1 |   |        |      |
| 02  | A1980734   | DECAL, WARNING                 | 1   | 1 |   |        |      |
| 03  | A1980736   | DECAL, CAUTION                 | 1   | 1 |   |        |      |
| 04  | A1980818   | DECAL, PTO SELECTOR            | 1   | 1 |   |        |      |
| 05  | A1980891   | DECAL, ROPS WARNING            | 1   | 1 |   |        |      |
| 06  | A1980932   | DECAL, AIR CLEANER             | 1   | 1 |   |        |      |
| 07  | A1980935   | DECAL, PTO WARNING             | 1   | 1 |   |        |      |
| 08  | A1980936   | DECAL, START WARNING           | 1   | 1 |   |        |      |
| 09  | A1980937   | DECAL, HYD. OIL WARNING        | 1   | 1 |   |        |      |
| 10  | A1980940   | DECAL, FRAME SEATBELT WARNING  | 1   | 1 |   |        |      |
| 11  | A1980941   | DECAL, ROPS WARNING            | 1   | 1 |   |        |      |
| 12  | A1980999   | DECAL, FAN/BELT WARNING        | 2   | 2 |   |        |      |
| 13  | A1981000   | DECAL, FUEL                    | 1   | 1 |   |        |      |
| 14  | A1981018   | DECAL, FLOW CONTROL            | 1   | 1 |   |        |      |
| 15  | A1981029   | DECAL, KEY SWITCH (R)          | 1   | 1 |   |        |      |
| 16  | A1981037   | DECAL, AUX. CONTROL            | 1   | 1 |   |        |      |
| 17  | A1981064   | DECAL, HYD. POSITION & DRAFT   | 1   | 1 |   |        |      |
| 18  | A1981065   | DECAL, HOOD OPEN (RH)          | 1   | 1 |   |        |      |
| 19  | A1981075   | DECAL, WARRANTY                | 1   | 1 |   |        |      |
| 20  | A1981076   | DECAL, DRIVER CAUTION (E)      | 1   | 1 |   |        |      |
| 21  | A1980943   | NAME PLATE                     | 1   | 1 |   |        |      |
| 22  | A1980721   | DECAL, F-R CHANGE              | 1   | 1 |   |        |      |
| 23  | A1981097   | NAME PLATE, ROPS (I38RF)       | 1   | 1 |   |        |      |
| 24  | A1981038   | DECAL, MONTANA EMBLEM (HANDLE) | 1   | 1 |   |        |      |
| 25  | A1981166   | DECAL, MODEL NAME (R2844)      | 2   | * |   |        |      |
|     | A1981168   | DECAL, MODEL NAME (R3644)      | *   | 2 |   |        |      |
| 26  | S466321010 | RIVET, BLIND                   | 4   | 4 |   |        |      |

DECAL

DECAL

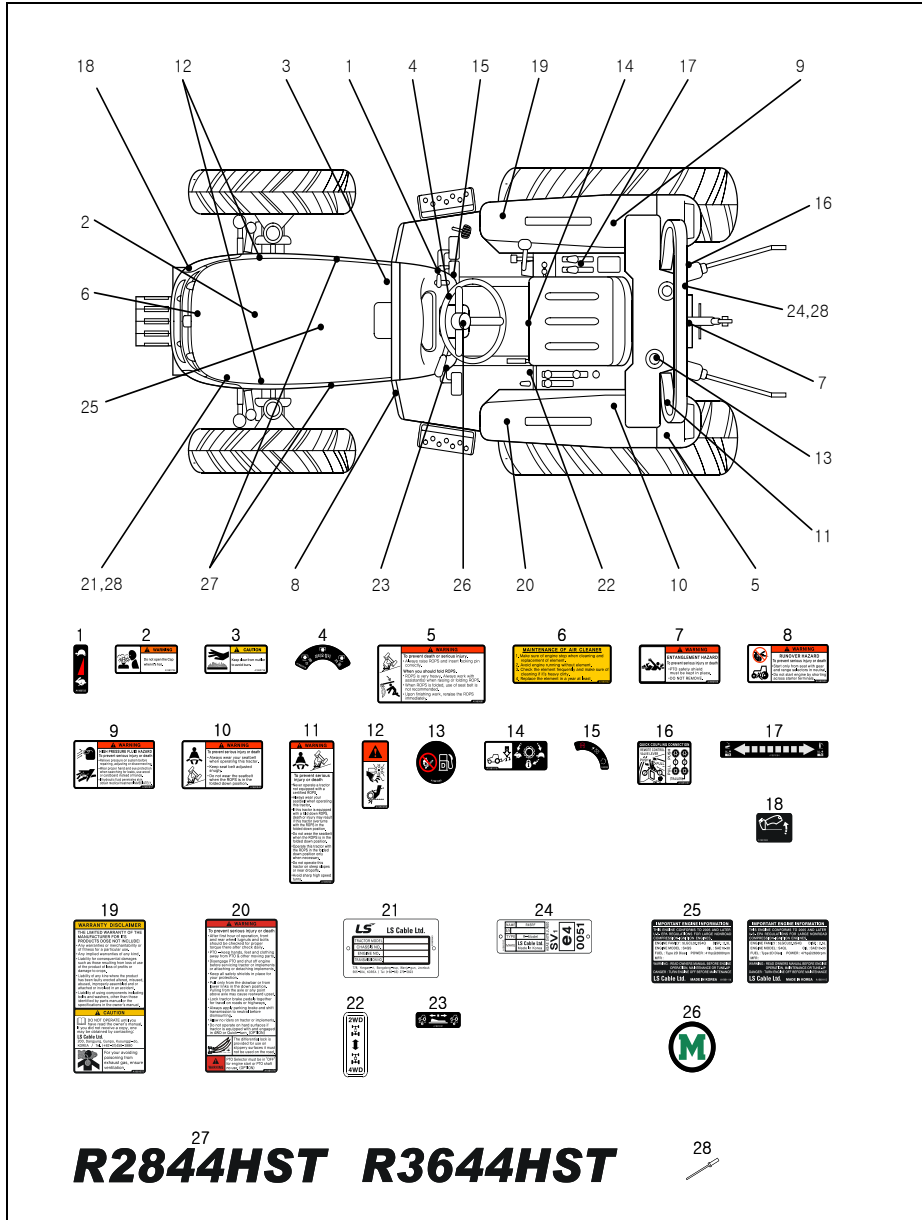
A-NOT AVAILABLE / B-I28,i36

A-NOT AVAILABLE / B-I28,i36

FIG. 12-1G

G. 980 FIG. 12-1G

(HST)



| NO. | PART NO.   | PART NAME & DESCRIPTION        | QTY |   |   | APP.NO | REM. |
|-----|------------|--------------------------------|-----|---|---|--------|------|
|     |            |                                | A   | B | C |        |      |
| 01  | A1980722   | DECAL, ACC. LEVER              | 1   | 1 |   |        |      |
| 02  | A1980734   | DECAL, WARNING                 | 1   | 1 |   |        |      |
| 03  | A1980736   | DECAL, CAUTION                 | 1   | 1 |   |        |      |
| 04  | A1980818   | DECAL, PTO SELECTOR            | 1   | 1 |   |        |      |
| 05  | A1980891   | DECAL, ROPS WARNING            | 1   | 1 |   |        |      |
| 06  | A1980932   | DECAL, AIR CLEANER             | 1   | 1 |   |        |      |
| 07  | A1980935   | DECAL, PTO WARNING             | 1   | 1 |   |        |      |
| 08  | A1980936   | DECAL, START WARNING           | 1   | 1 |   |        |      |
| 09  | A1980937   | DECAL, HYD. OIL WARNING        | 1   | 1 |   |        |      |
| 10  | A1980940   | DECAL, FRAME SEATBELT WARNING  | 1   | 1 |   |        |      |
| 11  | A1980941   | DECAL, ROPS WARNING            | 1   | 1 |   |        |      |
| 12  | A1980999   | DECAL, FAN/BELT WARNING        | 2   | 2 |   |        |      |
| 13  | A1981000   | DECAL, FUEL                    | 1   | 1 |   |        |      |
| 14  | A1981018   | DECAL, FLOW CONTROL            | 1   | 1 |   |        |      |
| 15  | A1981029   | DECAL, KEY SWITCH (R)          | 1   | 1 |   |        |      |
| 16  | A1981037   | DECAL, AUX. CONTROL            | 1   | 1 |   |        |      |
| 17  | A1981064   | DECAL, HYD. POSITION & DRAFT   | 1   | 1 |   |        |      |
| 18  | A1981065   | DECAL, HOOD OPEN (RH)          | 1   | 1 |   |        |      |
| 19  | A1981075   | DECAL, WARRANTY                | 1   | 1 |   |        |      |
| 20  | A1981076   | DECAL, DRIVER CAUTION (E)      | 1   | 1 |   |        |      |
| 21  | A1980943   | NAME PLATE                     | 1   | 1 |   |        |      |
| 22  | A1980573   | DECAL, 4WD                     | 1   | 1 |   |        |      |
| 23  | A1981031   | DECAL, CRUISE CONRTOL          | 1   | 1 |   |        |      |
| 24  | A1981032   | NAME PLATE, ROPS (R45RF)       | 1   | 1 |   |        |      |
| 25  | A1981114   | DECAL, EPA (S4QS)              | 1   | * |   |        |      |
|     | A1981115   | DECAL, EPA (S4QL)              | *   | 1 |   |        |      |
| 26  | A1981038   | DECAL, MONTANA EMBLEM (HANDLE) | 1   | 1 |   |        |      |
| 27  | A1981167   | DECAL, MODEL NAME (R2844HST)   | 2   | * |   |        |      |
|     | A1981169   | DECAL, MODEL NAME (R3644HST)   | *   | 2 |   |        |      |
| 28  | S466321010 | RIVET, BLIND                   | 4   | 4 |   |        |      |

# 엔진 부품

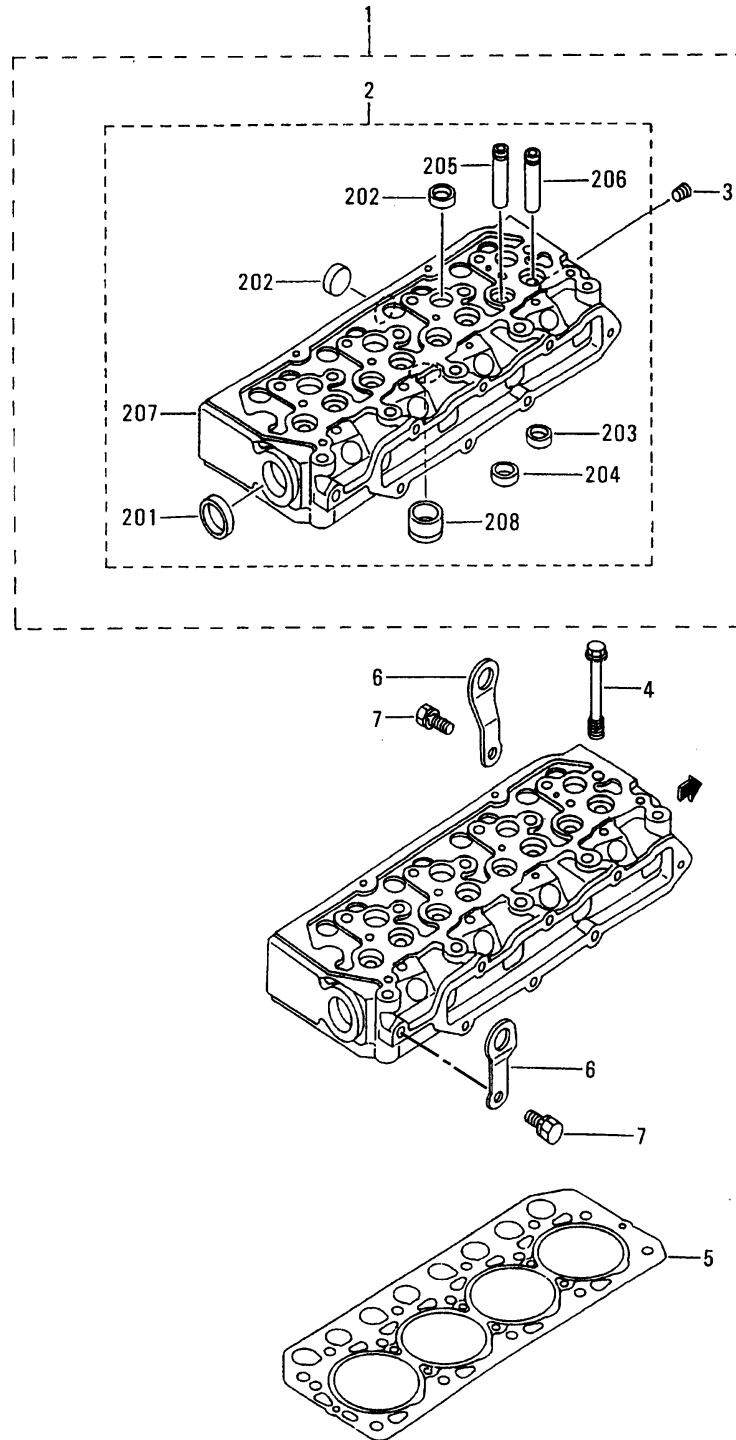
---

## ■ i28, i36

|            |               |
|------------|---------------|
| 실린더 헤드     | FIG. 01-01    |
| 밸브 메커니즘    | FIG. 04-01    |
| 록커 커버, 캠축  | FIG. 04-02    |
| 크랭크케이스 조립체 | FIG. 07-01    |
| 크랭크케이스     | FIG. 07-02    |
| 크랭크케이스     | FIG. 11       |
| 오일팬        | FIG. 13       |
| 메인 무빙 파트   | FIG. 17       |
| 타이밍 기어     | FIG. 23       |
| 흡기, 배기 다지관 | FIG. 30       |
| 오일 펌프      | FIG. 35       |
| 오일 시스템     | FIG. 36       |
| 냉각 시스템     | FIG. 45       |
| 연료 시스템     | FIG. 61-01    |
| 노즐, 노즐 홀더  | FIG. 61-02    |
| 분사 펌프      | FIG. 61-03-01 |
| 연료 필터      | FIG. 62       |
| 가버너        | FIG. 63-01    |
| 가버너        | FIG. 63-01    |
| 전장 파트      | FIG. 66-01    |
| 스타터        | FIG. 66-02    |
| 컨트롤 시스템    | FIG. 87       |
| 계기         | FIG. 90       |
| 가스켓 키트     | FIG. 94       |

# CYLINDER HEAD

FIG. 01-01



# CYLINDER HEAD

A-i28 / B-i36

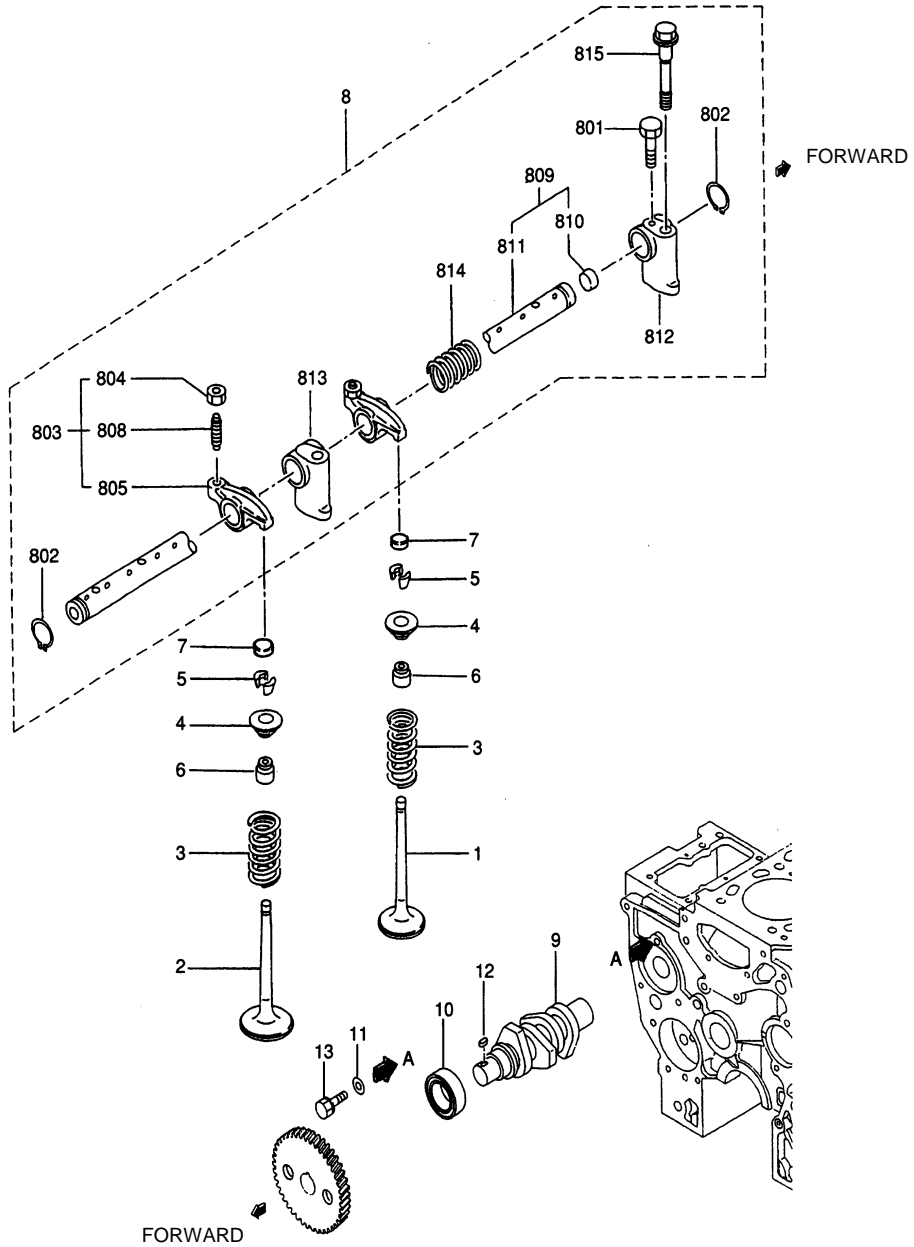
A-i28 / B-i36

**FIG. 01-01**

| NO. | PART NO.    | PART NAME & DESCRIPTION | QTY |    |   | APP.NO | REM. |
|-----|-------------|-------------------------|-----|----|---|--------|------|
|     |             |                         | A   | B  | C |        |      |
| 1   | 31A01-21060 | HEAD ASSY, CYLIDER      | 1   | *  |   |        |      |
|     | 31A01-51040 | HEAD ASSY, CYLIDER      | *   | 1  |   |        |      |
| 2   | *           | HEAD SUB ASSY           | 1   | 1  |   |        |      |
| 01  | MD000245    | CAP, SEALING            | 1   | 1  |   |        |      |
| 02  | MF665538    | CAP, SEALING            | 7   | 7  |   |        |      |
| 03  | *           | SEAT, VALVE INLET       | 4   | 4  |   |        |      |
| 04  | *           | SEAT, VALVE EXHAUST     | 4   | 4  |   |        |      |
| 05  | 31A01-02500 | GUIDE, EXHAUST VALVE    | 4   | 4  |   |        |      |
| 06  | 31A01-02600 | GUIDE, INLET VALVE      | 4   | 4  |   |        |      |
| 07  | *           | CYLINDER HEAD           | 1   | 1  |   |        |      |
| 08  | 31A03-01101 | JET, COMBUSTION         | 1   | *  |   |        |      |
|     | 31A03-01500 | JET, COMBUSTION         | *   | 4  |   |        |      |
| 3   | MS661140    | PLUG, TAPER             | 1   | 1  |   |        |      |
| 4   | 31A01-11100 | BOLT, CYLINDER HEAD     | 14  | 14 |   |        |      |
| 5   | 31A01-33300 | GASKET, CYL. HEAD       | 1   | 1  |   |        |      |
| 6   | MM408470    | HANGER, ENGINE          | 2   | 2  |   |        |      |
| 7   | F1805-10020 | BOLT, W/WASHER          | 2   | 2  |   |        |      |
|     |             |                         |     |    |   |        |      |
|     |             |                         |     |    |   |        |      |
|     |             |                         |     |    |   |        |      |
|     |             |                         |     |    |   |        |      |
|     |             |                         |     |    |   |        |      |
|     |             |                         |     |    |   |        |      |
|     |             |                         |     |    |   |        |      |
|     |             |                         |     |    |   |        |      |
|     |             |                         |     |    |   |        |      |

# VALVE MECHANISM

FIG. 04-01



# VALVE MECHANISM

A-i28 / B-i36

A-i28 / B-i36

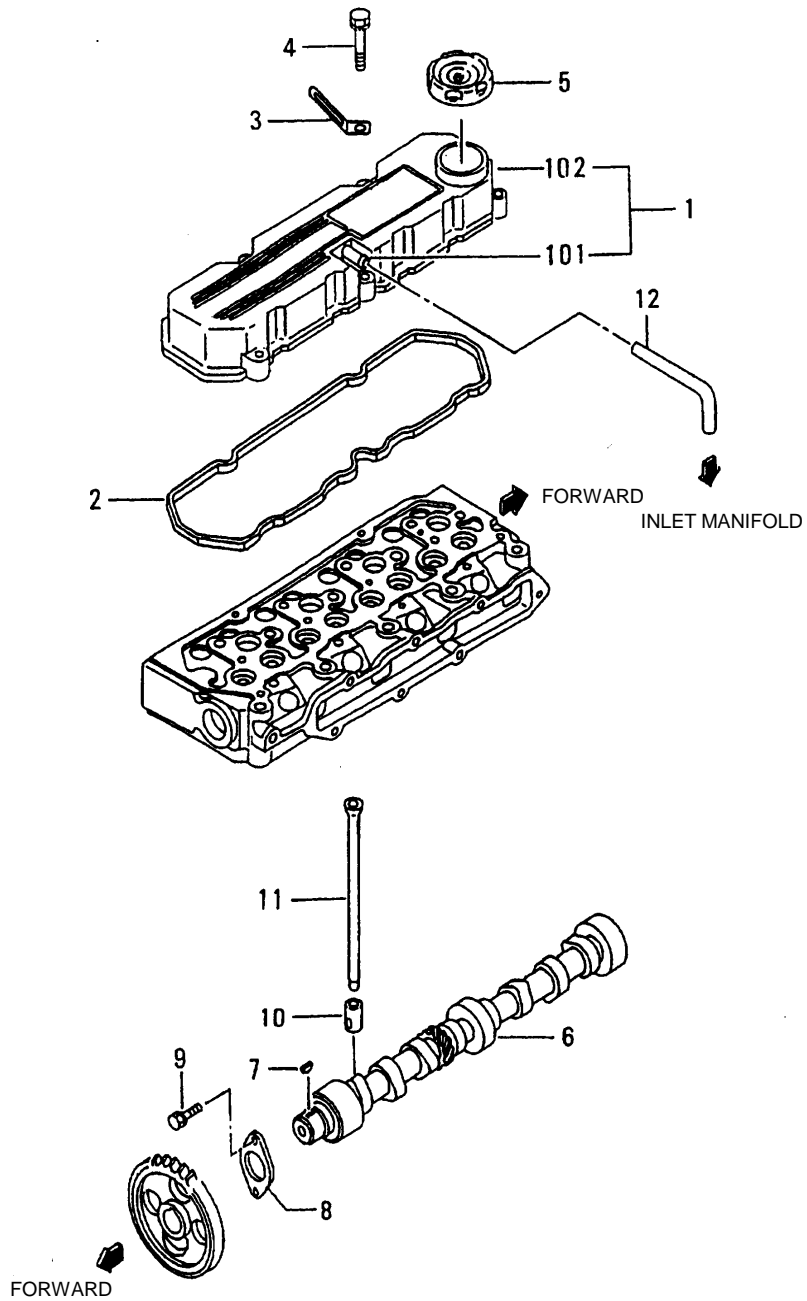
**FIG. 04-01**

| NO. | PART NO.    | PART NAME & DESCRIPTION | QTY |    |   | APP.NO | REM. |
|-----|-------------|-------------------------|-----|----|---|--------|------|
|     |             |                         | A   | B  | C |        |      |
| 1   | 31A04-30100 | VALVE, INLET            | 4   | 4  |   |        |      |
| 2   | 31A04-20200 | VALVE, EXHAUST          | 4   | 4  |   |        |      |
| 3   | 31A04-01301 | SPRING, VALVE           | 8   | 8  |   |        |      |
| 4   | MM433306    | RETAINER, VALVE STEM    | 8   | 8  |   |        |      |
| 5   | MD016483    | VALVE, LOCK             | 16  | 16 |   |        |      |
| 6   | MD115472    | SEAL, VALVE STEM        | 8   | 8  |   |        |      |
| 7   | 31A04-00700 | CAP, VALVE              | 8   | 8  |   |        |      |
| 8   | 31A04-30042 | ROCKER & SHAFT ASSY     | 1   | 1  |   |        |      |
| 01  | F1035-05010 | BOLT                    | 1   | 1  |   |        |      |
| 02  | MF522010    | RING, SNAP              | 2   | 2  |   |        |      |
| 03  | 31A04-11023 | ROCKER ASSY             | 8   | 8  |   |        |      |
| 04  | F2325-08000 | NUT, JAM                | 8   | 8  |   |        |      |
| 05  | *           | ROCKER, ARM             | 8   | 8  |   |        |      |
| 08  | 32A04-02400 | SCREW, ROCKER           | 8   | 8  |   |        |      |
| 09  | 31A04-21010 | SHAFT ASSY, ROCKER      | 1   | 1  |   |        |      |
| 10  | MD021204    | CAP, SEALING            | 2   | 2  |   |        |      |
| 11  | *           | SHAFT, ROCKER           | 1   | 1  |   |        |      |
| 12  | 31A04-34100 | BRACKET, ROCKER SHAFT   | 1   | 1  |   |        |      |
| 13  | 31A04-34300 | BRACKET, ROCKER SHAFT   | 3   | 3  |   |        |      |
| 14  | 32C04-04500 | SPRING, ROCKER          | 3   | 3  |   |        |      |
| 15  | 32C04-06100 | BOLT, ROCKER BRACKET    | 4   | 4  |   |        |      |
| 9   | 31A65-11200 | SHAFT, FUEL INJ PUMP    | 1   | 1  |   |        |      |
| 10  | MD703856    | BEARING, RADIAL BALL    | 1   | 1  |   |        |      |
| 11  | MD000425    | WASHER                  | 1   | 1  |   |        |      |
| 12  | MF476018    | KEY, SUNK               | 1   | 1  |   |        |      |
| 13  | F1805-08016 | BOLT, W/WASHER          | 1   | 1  |   |        |      |
|     |             |                         |     |    |   |        |      |
|     |             |                         |     |    |   |        |      |
|     |             |                         |     |    |   |        |      |



# ROCKER COVER & CAMSHAFT

FIG. 04-02



# ROCKER COVER & CAMSHAFT

A-i28 / B-i36

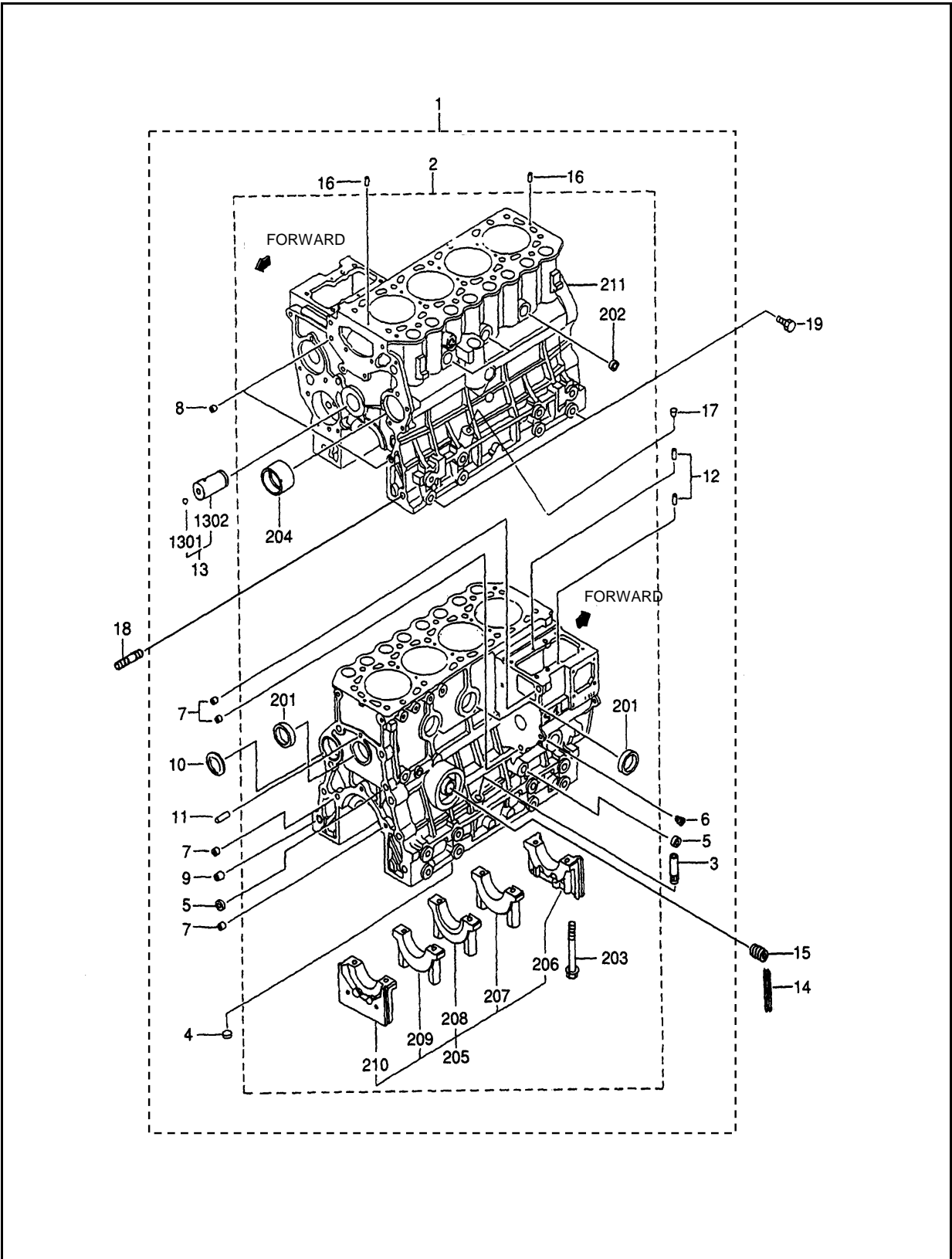
A-i28 / B-i36

**FIG. 04-02**

| NO. | PART NO.    | PART NAME & DESCRIPTION | QTY |   |   | APP.NO | REM. |
|-----|-------------|-------------------------|-----|---|---|--------|------|
|     |             |                         | A   | B | C |        |      |
| 1   | 31A04-20031 | COVER ASSY, ROCKER      | 1   | 1 |   |        |      |
| 01  | *           | PIPE                    | 1   | 1 |   |        |      |
| 02  | *           | COVER, ROCKER           | 1   | 1 |   |        |      |
| 2   | 31A04-33202 | GASKET, ROCKER COVER    | 1   | 1 |   |        |      |
| 3   | MS470059    | CLIP                    | 1   | 1 |   |        |      |
| 4   | F1805-08040 | BOLT, W/WASHER          | 5   | 5 |   |        |      |
| 5   | MD008784    | CAP, OIL FILTER         | 1   | 1 |   |        |      |
| 6   | 31A05-00201 | CAMSHAFT                | 1   | 1 |   |        |      |
| 7   | MF476215    | KEY, WOODRUFF           | 1   | 1 |   |        |      |
| 8   | 30405-31402 | PLATE, THRUST           | 1   | 1 |   |        |      |
| 9   | F1805-08016 | BOLT, W/WASHER          | 2   | 2 |   |        |      |
| 10  | MM402737    | TAPPET                  | 8   | 8 |   |        |      |
| 11  | 31A05-01300 | ROD, PUSH               | 8   | 8 |   |        |      |
| 12  | MM400380    | BREATHER, PIPE          | 1   | 1 |   |        |      |
|     |             |                         |     |   |   |        |      |
|     |             |                         |     |   |   |        |      |
|     |             |                         |     |   |   |        |      |
|     |             |                         |     |   |   |        |      |
|     |             |                         |     |   |   |        |      |
|     |             |                         |     |   |   |        |      |
|     |             |                         |     |   |   |        |      |
|     |             |                         |     |   |   |        |      |

# CRANKCASE ASSY

FIG. 07-01



# CRANKCASE ASSY

A-i28 / B-i36

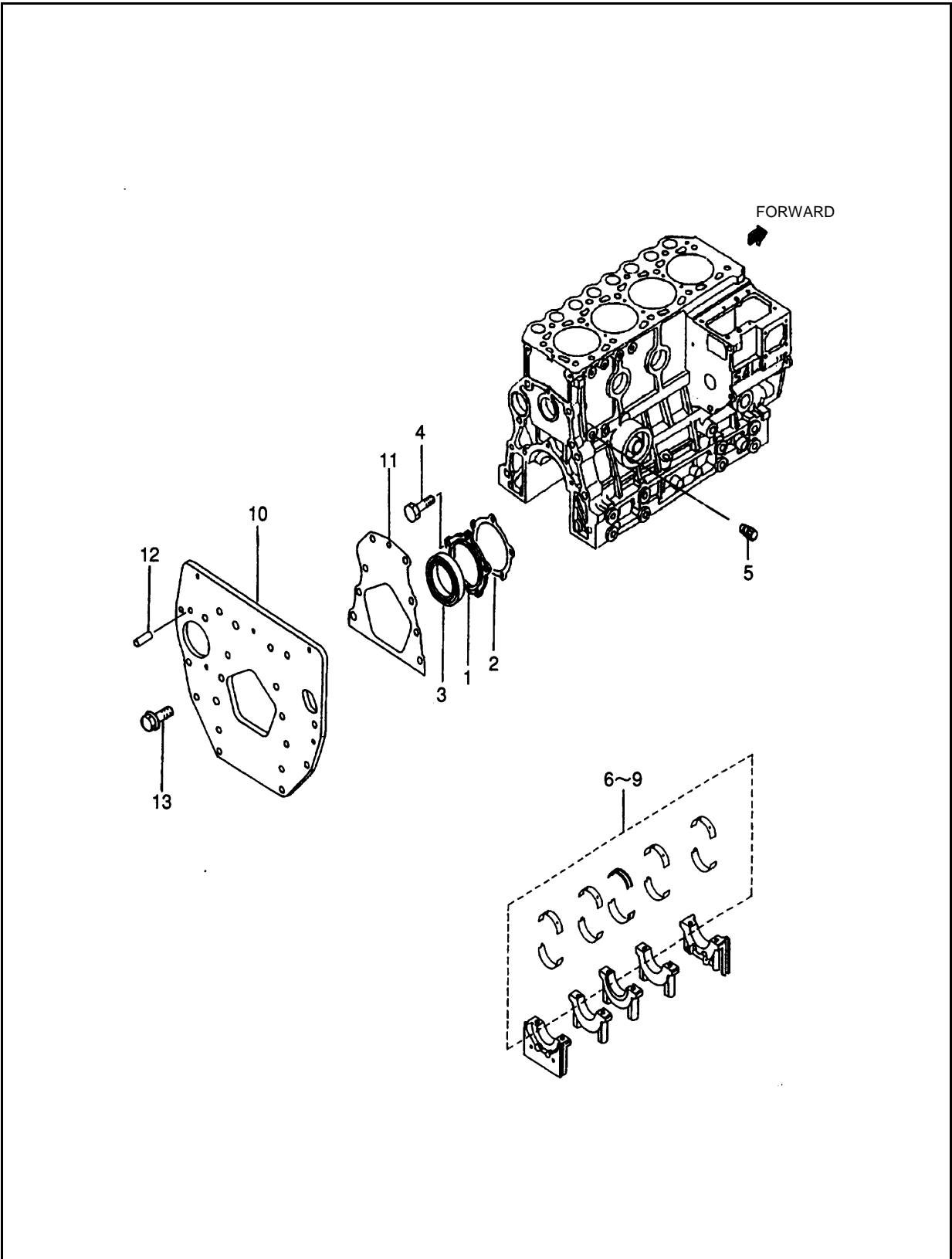
A-i28 / B-i36

**FIG. 07-01**

| NO. | PART NO.    | PART NAME & DESCRIPTION | QTY |    |   | APP.NO | REM. |
|-----|-------------|-------------------------|-----|----|---|--------|------|
|     |             |                         | A   | B  | C |        |      |
| 1   | 31A07-42010 | BLOCK ASSY, CYLINDER    | 1   | 1  |   |        |      |
| 2   | *           | BLOCK SUB ASSY, CYL     | 1   | 1  |   |        |      |
| 01  | 04826-22000 | CAP, SEALING            | 3   | 3  |   |        |      |
| 02  | 04826-23500 | CAP, SEALING            | 3   | 3  |   |        |      |
| 03  | 31A07-00800 | BOLT, BEARING, CAP      | 10  | 10 |   |        |      |
| 04  | 31A07-03100 | BUSH, CAMSHAFT          | 1   | 1  |   |        |      |
| 05  | *           | CAP SET, METAL          | 1   | 1  |   |        |      |
| 06  | *           | CAP, METAL FRONT        | 1   | 1  |   |        |      |
| 07  | *           | CAP, METAL NO.2         | 1   | 1  |   |        |      |
| 08  | *           | CAP, METAL NO.3         | 1   | 1  |   |        |      |
| 09  | *           | CAP, METAL NO.4         | 1   | 1  |   |        |      |
| 10  | *           | CAP, METAL REAR         | 1   | 1  |   |        |      |
| 11  | *           | BLOCK, CYLINDER         | 1   | 1  |   |        |      |
| 3   | MM430613    | GUIDE, OIL LEVEL        | 1   | 1  |   |        |      |
| 4   | MF665532    | CAP, SEALING(12)        | 1   | 1  |   |        |      |
| 5   | MF665533    | CAP, SEALING(14)        | 3   | 3  |   |        |      |
| 6   | MS661140    | PLUG, TAPER             | 1   | 1  |   |        |      |
| 7   | MS471104    | BUSHING, KNOCK          | 4   | 4  |   |        |      |
| 8   | MS471105    | BUSHING, KNOCK          | 2   | 2  |   |        |      |
| 9   | MS471110    | BUSHING, KNOCK          | 1   | 1  |   |        |      |
| 10  | MF665511    | PLUG, EXPANSION         | 1   | 1  |   |        |      |
| 11  | MF472404    | PIN, DOWEL              | 1   | 1  |   |        |      |
| 12  | MM409645    | PIN, DOWEL              | 2   | 2  |   |        |      |
| 13  | 31A23-00051 | SHAFT ASSY, IDLER       | 1   | 1  |   |        |      |
| 01  | F8000-08000 | BALL, STEEL             | 1   | 1  |   |        |      |
| 02  | *           | SHAFT, IDLER            | 1   | 1  |   |        |      |
| 14  | 31A07-12200 | SEAL, SIDE              | 4   | 4  |   |        |      |
| 15  | 30L07-00700 | SHAFT, OIL FILTER       | 1   | 1  |   |        |      |
| 16  | F2846-05000 | PIN, DOWEL              | 2   | 2  |   |        |      |
| 17  | MD024256    | PLUG, TAPER             | 1   | 1  |   |        |      |
| 18  | 31A07-02500 | STUD                    | 2   | 2  |   |        |      |
| 19  | F1035-12025 | BOLT                    | 4   | 4  |   |        |      |
|     |             |                         |     |    |   |        |      |
|     |             |                         |     |    |   |        |      |

# CRANKCASE

FIG. 07-02



# CRANKCASE

A-i28 / B-i36

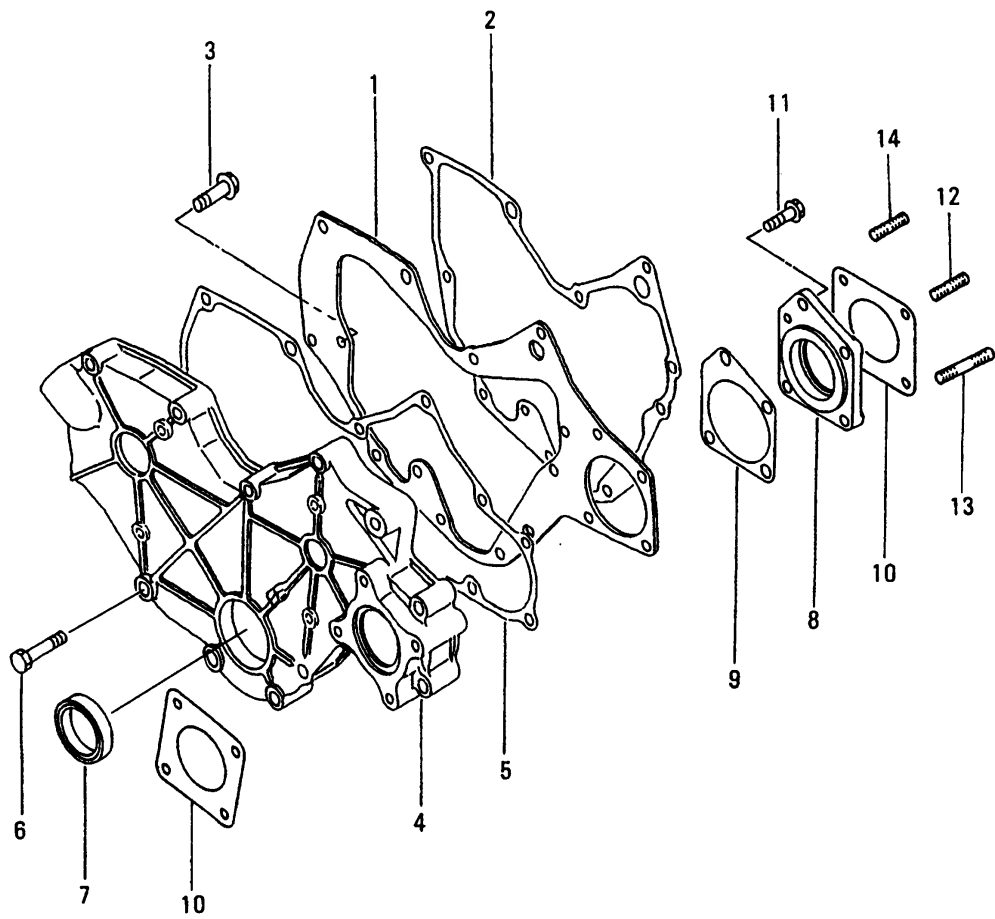
A-i28 / B-i36

**FIG. 07-02**

| NO. | PART NO.    | PART NAME & DESCRIPTION | QTY |    |   | APP.NO | REM.     |
|-----|-------------|-------------------------|-----|----|---|--------|----------|
|     |             |                         | A   | B  | C |        |          |
| 1   | 31A07-11601 | CASE, OIL SEAL          | 1   | 1  |   |        |          |
| 2   | 31A07-11701 | GASKET, OIL SEAL CASE   | 1   | 1  |   |        |          |
| 3   | 31A07-02300 | SEAL, OIL               | 1   | 1  |   |        |          |
| 4   | F1035-08020 | BOLT                    | 5   | 5  |   |        |          |
| 5   | MD000269    | PLUG, TAPER             | 1   | 1  |   |        |          |
| 6   | MM437313    | METAL SET               | 1   | 1  |   |        | STD      |
| 7   | MM437884    | METAL SET               | 1   | 1  |   |        | U.S 0.25 |
| 8   | MM437885    | METAL SET               | 1   | 1  |   |        | U.S 0.50 |
| 9   | MM437886    | METAL SET               | 1   | 1  |   |        | U.S 0.75 |
| 10  | 31A07-04500 | PLATE, REAR             | 1   | 1  |   |        |          |
| 11  | 31A07-02401 | GASKET, REAR            | 1   | 1  |   |        |          |
| 12  | MM408245    | PIN, KNOCK              | 2   | 2  |   |        |          |
| 13  | 31A08-04101 | BOLT, FLANGE            | 10  | 10 |   |        |          |
|     |             |                         |     |    |   |        |          |
|     |             |                         |     |    |   |        |          |
|     |             |                         |     |    |   |        |          |
|     |             |                         |     |    |   |        |          |
|     |             |                         |     |    |   |        |          |
|     |             |                         |     |    |   |        |          |
|     |             |                         |     |    |   |        |          |
|     |             |                         |     |    |   |        |          |
|     |             |                         |     |    |   |        |          |

# TIMING GEAR CASE

FIG. 11



# TIMING GEAR CASE

A-i28 / B-i36

A-i28 / B-i36

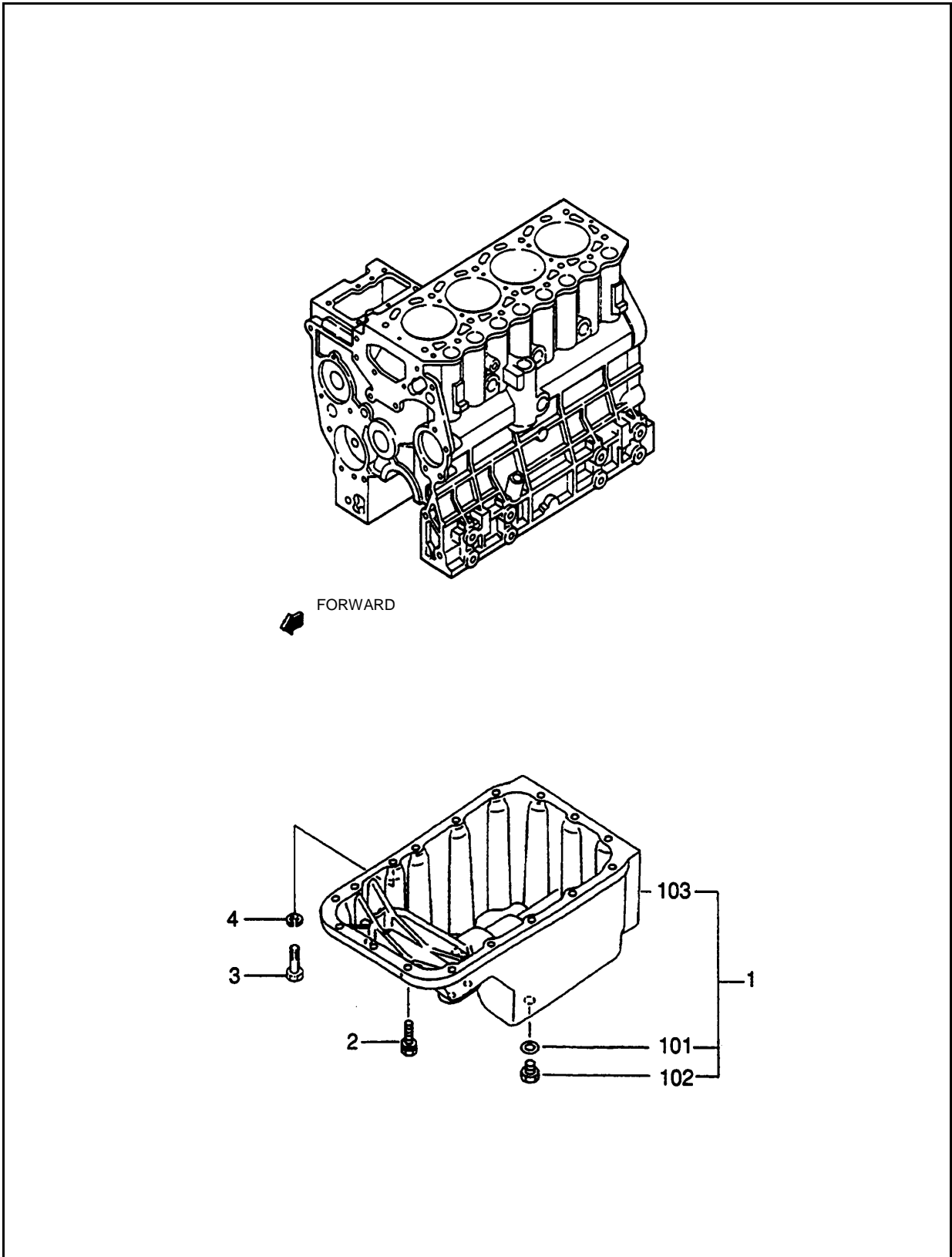
**FIG. 11**

| NO. | PART NO.    | PART NAME & DESCRIPTION | QTY |   |   | APP.NO | REM. |
|-----|-------------|-------------------------|-----|---|---|--------|------|
|     |             |                         | A   | B | C |        |      |
| 1   | 31A11-02100 | PLATE, FRONT            | 1   | 1 |   |        |      |
| 2   | 31A07-11901 | GASKET, FRONT PLATE     | 1   | 1 |   |        |      |
| 3   | F1805-08016 | BOLT, W/WASHER          | 5   | 5 |   |        |      |
| 4   | 31A11-00800 | CASE, GEAR PTO          | 1   | 1 |   |        |      |
| 5   | 31A11-11101 | GASKET, GEAR            | 1   | 1 |   |        |      |
| 6   | F1035-08045 | BOLT                    | 8   | 8 |   |        |      |
| 7   | MD008762    | SEAL, OIL               | 1   | 1 |   |        |      |
| 8   | 31A11-05101 | HOUSING, GEAR           | 1   | 1 |   |        |      |
| 9   | 31A11-05201 | GASKET, HOUSING         | 1   | 1 |   |        |      |
| 10  | MM401-20601 | GASKET, O/PUMP COVER    | 2   | 2 |   |        |      |
| 11  | F1805-08030 | BOLT, W/WASHER          | 1   | 1 |   |        |      |
| 12  | MF401936    | STUD(8X25)              | 1   | 1 |   |        |      |
| 13  | MS401335    | STUD(8X45)              | 1   | 1 |   |        |      |
| 14  | MF401935    | STUD(8X22)              | 2   | 2 |   |        |      |
|     |             |                         |     |   |   |        |      |
|     |             |                         |     |   |   |        |      |
|     |             |                         |     |   |   |        |      |
|     |             |                         |     |   |   |        |      |
|     |             |                         |     |   |   |        |      |
|     |             |                         |     |   |   |        |      |
|     |             |                         |     |   |   |        |      |
|     |             |                         |     |   |   |        |      |
|     |             |                         |     |   |   |        |      |



# OIL PAN

FIG. 13



# OIL PAN

A-i28 / B-i36

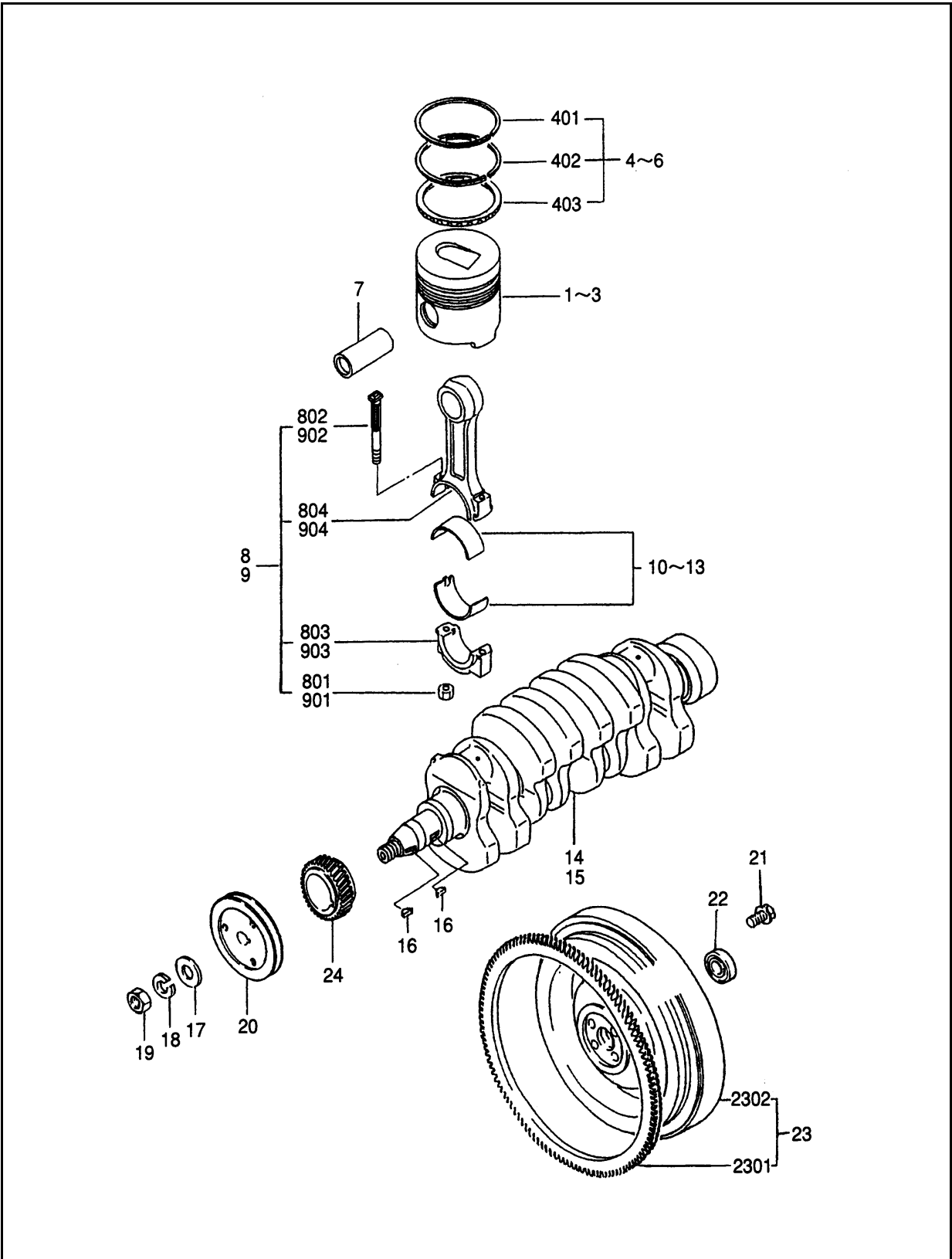
A-i28 / B-i36

**FIG. 13**

| NO. | PART NO.    | PART NAME & DESCRIPTION | QTY |    |   | APP.NO | REM. |
|-----|-------------|-------------------------|-----|----|---|--------|------|
|     |             |                         | A   | B  | C |        |      |
| 1   | 31A13-02020 | PAN ASSY, OIL           | 1   | 1  |   |        |      |
| 01  | MF660065    | GASKET, OIL DRAIN       | 2   | 2  |   |        |      |
| 02  | MF665004    | PLUG, DRAIN             | 2   | 2  |   |        |      |
| 03  | *           | PAN, OIL                | 1   | 1  |   |        |      |
| 2   | 31A13-04101 | BOLT, W/WASHER          | 16  | 16 |   |        |      |
| 3   | F1035-08040 | BOLT                    | 1   | 1  |   |        |      |
| 4   | F2515-08000 | WASHER, SPRING          | 1   | 1  |   |        |      |
|     |             |                         |     |    |   |        |      |
|     |             |                         |     |    |   |        |      |
|     |             |                         |     |    |   |        |      |
|     |             |                         |     |    |   |        |      |
|     |             |                         |     |    |   |        |      |
|     |             |                         |     |    |   |        |      |
|     |             |                         |     |    |   |        |      |
|     |             |                         |     |    |   |        |      |
|     |             |                         |     |    |   |        |      |

# MAIN MOVING PARTS

FIG. 17



# MAIN MOVING PARTS

A-i28 / B-i36

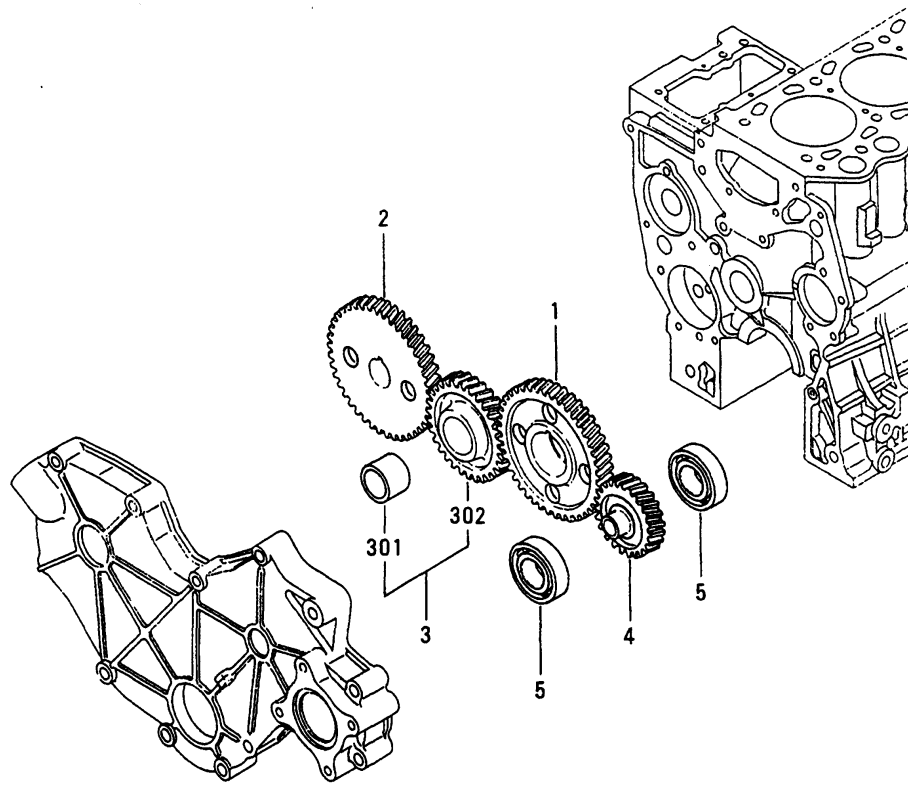
A-i28 / B-i36

**FIG. 17**

| NO. | PART NO.    | PART NAME & DESCRIPTION |          | QTY |   |   | APP.NO | REM. |
|-----|-------------|-------------------------|----------|-----|---|---|--------|------|
|     |             |                         |          | A   | B | C |        |      |
| 1   | 31A17-11100 | PISTON                  | STD      | 4   | 4 |   |        |      |
| 2   | 31A17-11200 | PISTON                  | O.S 0.25 | 4   | 4 |   |        |      |
| 3   | 31A17-11300 | PISTON                  | O.S 0.50 | 4   | 4 |   |        |      |
| 4   | MM433921    | RING SET, PISTON        | STD      | 4   | 4 |   |        |      |
| 01  | *           | RING, PISTON NO.1       |          | 4   | 4 |   |        |      |
| 02  | *           | RING, PISTON NO.2       |          | 4   | 4 |   |        |      |
| 03  | *           | RING ASSY, OIL          |          | 4   | 4 |   |        |      |
| 5   | MM433922    | RING SET, PISTON        | O.S 0.25 | 4   | 4 |   |        |      |
| 6   | MM433923    | RING SET, PISTON        | O.S 0.50 | 4   | 4 |   |        |      |
| 7   | 31A17-10600 | PIN, PISTON             |          | 4   | 4 |   |        |      |
| 8   | 31A19-10021 | ROD ASSY, CONNECTING    |          | 4   | * |   |        |      |
| 01  | MD006704    | NUT, CONNECTING ROD     |          | 8   | * |   |        |      |
| 02  | MD021105    | BOLT, CONNECTING ROD    |          | 8   | * |   |        |      |
| 03  | *           | CAP, CONNECTING ROD     |          | 4   | * |   |        |      |
| 04  | *           | ROD, CONNECTING         |          | 4   | * |   |        |      |
| 9   | 31A19-01021 | ROD ASSY, CONNECTING    |          | *   | 4 |   |        |      |
| 01  | MD006704    | NUT, CONNECTING ROD     |          | *   | 8 |   |        |      |
| 02  | MD021105    | BOLT, CONNECTING ROD    |          | *   | 8 |   |        |      |
| 03  | *           | CAP, CONNECTING ROD     |          | *   | 4 |   |        |      |
| 04  | *           | ROD, CONNECTING         |          | *   | 4 |   |        |      |
| 10  | MM437305    | METAL SET, CON-ROD      | STD      | 4   | 4 |   |        |      |
| 11  | 30A19-00010 | METAL SET, CON-ROD      | U.S 0.25 | 4   | 4 |   |        |      |
| 12  | 30A19-00020 | METAL SET, CON-ROD      | U.S 0.50 | 4   | 4 |   |        |      |
| 13  | 30A19-00030 | METAL SET, CON-ROD      | U.S 0.75 | 4   | 4 |   |        |      |
| 14  | 31A20-00102 | CRANKSHAFT              |          | 1   | * |   |        |      |
| 15  | 31A20-00200 | CRANKSHAFT              |          | *   | 1 |   |        |      |
| 16  | MF476215    | KEY, WOODRUFF           |          | 2   | 2 |   |        |      |
| 17  | MF450010    | WASHER, PLAIN           |          | 1   | 1 |   |        |      |
| 18  | MF450410    | WASHER, SPRING          |          | 1   | 1 |   |        |      |
| 19  | MF430126    | NUT                     |          | 1   | 1 |   |        |      |
| 20  | 31A20-22100 | PULLEY, CRANKSHAFT      |          | 1   | 1 |   |        |      |
| 21  | MD952231    | BOLT, DRIVE PLATE       |          | 4   | 4 |   |        |      |
| 22  | MD002613    | BEARING, BALL           |          | 1   | 1 |   |        |      |
| 23  | 31A21-01070 | FLYWHEEL SUB ASSY       |          | 1   | 1 |   |        |      |
| 01  | MD024812    | GEAR, RING              |          | 1   | 1 |   |        |      |
| 02  | *           | FLYWHEEL                |          | 1   | 1 |   |        |      |
| 24  | 31A23-01302 | GEAR, CRANKSHAFT        |          | 1   | 1 |   |        |      |
|     |             |                         |          |     |   |   |        |      |

# TIMING GEAR

FIG. 23



# TIMING GEAR

A-i28 / B-i36

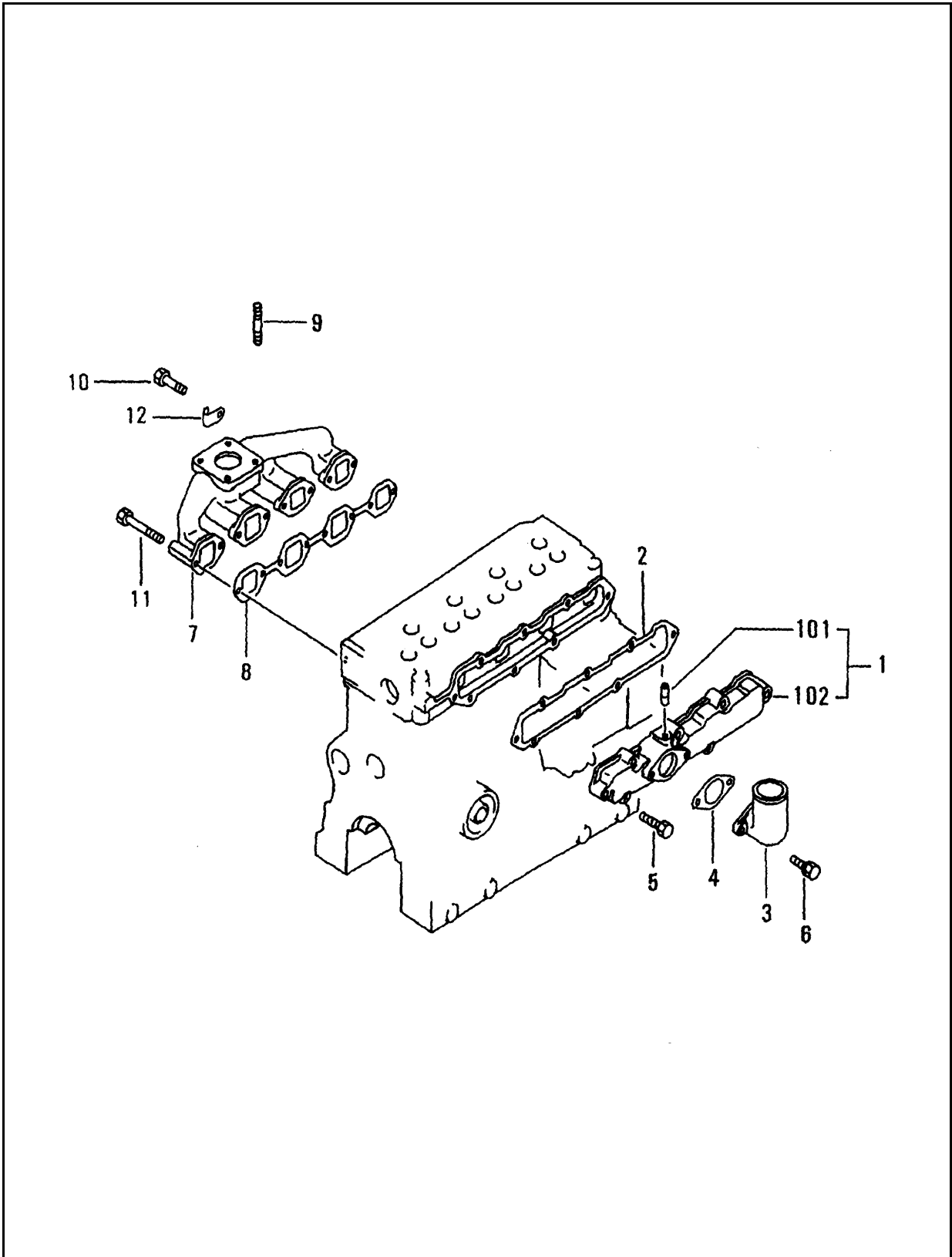
A-i28 / B-i36

**FIG. 23**

| NO. | PART NO.    | PART NAME & DESCRIPTION |          | QTY |   |   | APP.NO | REM. |
|-----|-------------|-------------------------|----------|-----|---|---|--------|------|
|     |             |                         |          | A   | B | C |        |      |
| 1   | 31A23-01404 | GEAR, CAMSHAFT          | STD      | 1   | 1 |   |        |      |
| 2   | 31A23-10101 | GER, INJECTION PUMP     | O.S 0.25 | 1   | 1 |   |        |      |
| 3   | 31A23-01023 | GEAR ASSY, IDLER        | O.S 0.50 | 1   | 1 |   |        |      |
| 01  | *           | BUSHING, IDLER GEAR     |          | 1   | 1 |   |        |      |
| 02  | *           | GEAR, IDLER             |          | 1   | 1 |   |        |      |
| 4   | 31A23-01502 | GEAR, PRESS OIL PUMP    |          | 1   | 1 |   |        |      |
| 5   | MD712517    | BEARING, REAR           |          | 2   | 2 |   |        |      |
|     |             |                         |          |     |   |   |        |      |
|     |             |                         |          |     |   |   |        |      |
|     |             |                         |          |     |   |   |        |      |
|     |             |                         |          |     |   |   |        |      |
|     |             |                         |          |     |   |   |        |      |
|     |             |                         |          |     |   |   |        |      |
|     |             |                         |          |     |   |   |        |      |
|     |             |                         |          |     |   |   |        |      |
|     |             |                         |          |     |   |   |        |      |
|     |             |                         |          |     |   |   |        |      |

# INLET & EXHAUST MANIFOLD

FIG. 30



# INLET & EXHAUST MANIFOLD

A-i28 / B-i36

A-i28 / B-i36

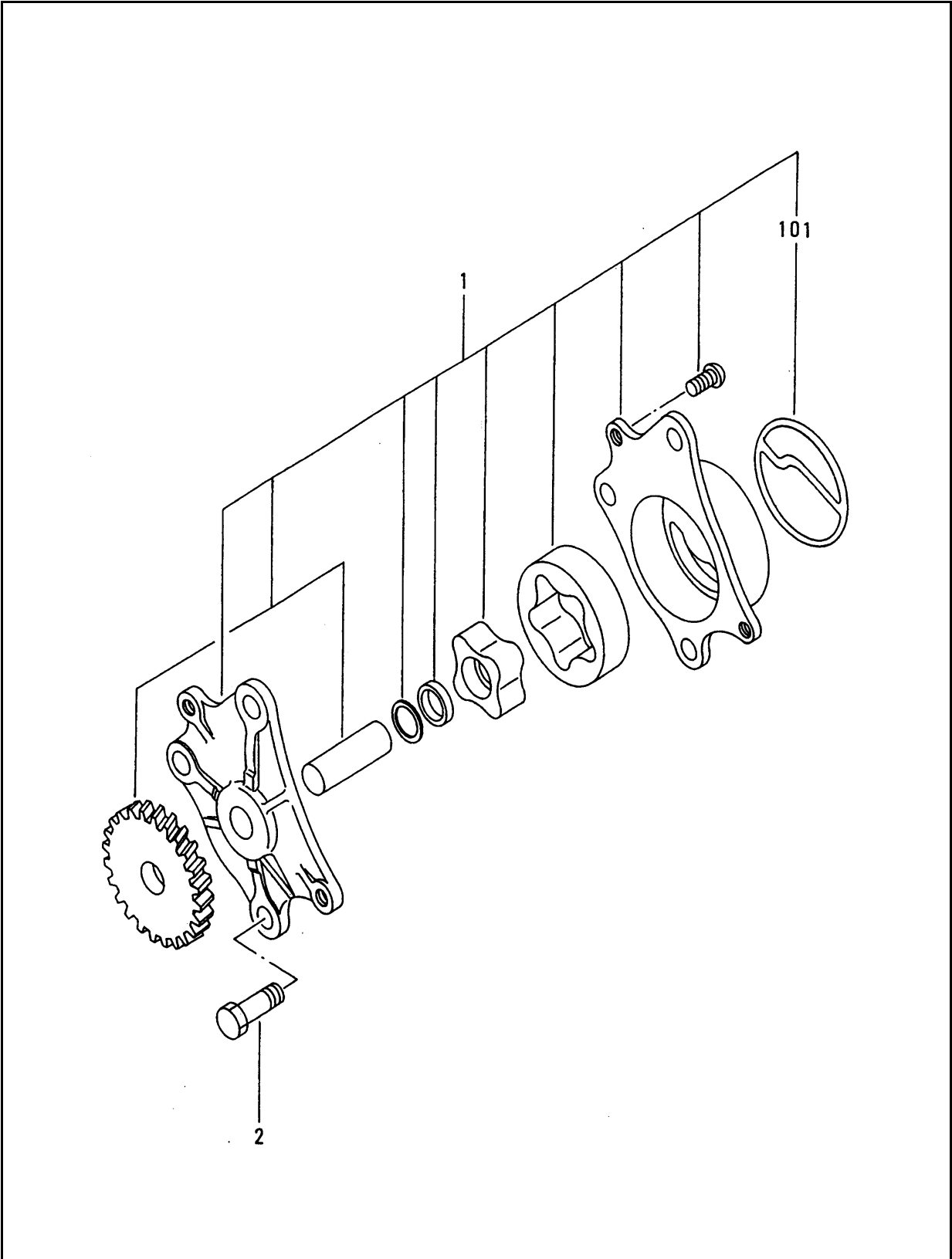
**FIG. 30**

| NO. | PART NO.    | PART NAME & DESCRIPTION | QTY |   |   | APP.NO | REM. |
|-----|-------------|-------------------------|-----|---|---|--------|------|
|     |             |                         | A   | B | C |        |      |
| 1   | 31A30-20010 | COVER ASSY, INLET       | 1   | 1 |   |        |      |
| 01  | *           | PIPE                    | 1   | 1 |   |        |      |
| 02  | *           | COVER, INLET            | 1   | 1 |   |        |      |
| 2   | 31A30-10902 | GASKET, INLET COVER     | 1   | 1 |   |        |      |
| 3   | 31A30-00300 | PIPE, INLET             | 1   | 1 |   |        |      |
| 4   | 31A30-00801 | GASKET, INLET PIPE      | 1   | 1 |   |        |      |
| 5   | F1805-08035 | BOLT, W/WASHER          | 8   | 8 |   |        |      |
| 6   | F1805-08020 | BOLT, W/WASHER          | 2   | 2 |   |        |      |
| 7   | 31A32-00402 | MANIFOLD ASSY, EXH      | 1   | 1 |   |        |      |
| 8   | 31A32-01200 | GASKET, EXHAUST         | 1   | 1 |   |        |      |
| 9   | MF401936    | STUD(8X25)              | 4   | 4 |   |        |      |
| 10  | F1035-08020 | BOLT                    | 6   | 6 |   |        |      |
| 11  | F1035-08055 | BOLT                    | 2   | 2 |   |        |      |
| 12  | 31A32-02100 | CLAMP                   | 1   | 1 |   |        |      |
|     |             |                         |     |   |   |        |      |
|     |             |                         |     |   |   |        |      |
|     |             |                         |     |   |   |        |      |
|     |             |                         |     |   |   |        |      |
|     |             |                         |     |   |   |        |      |
|     |             |                         |     |   |   |        |      |
|     |             |                         |     |   |   |        |      |
|     |             |                         |     |   |   |        |      |



# OIL PUMP

FIG. 35



# OIL PUMP

A-i28 / B-i36

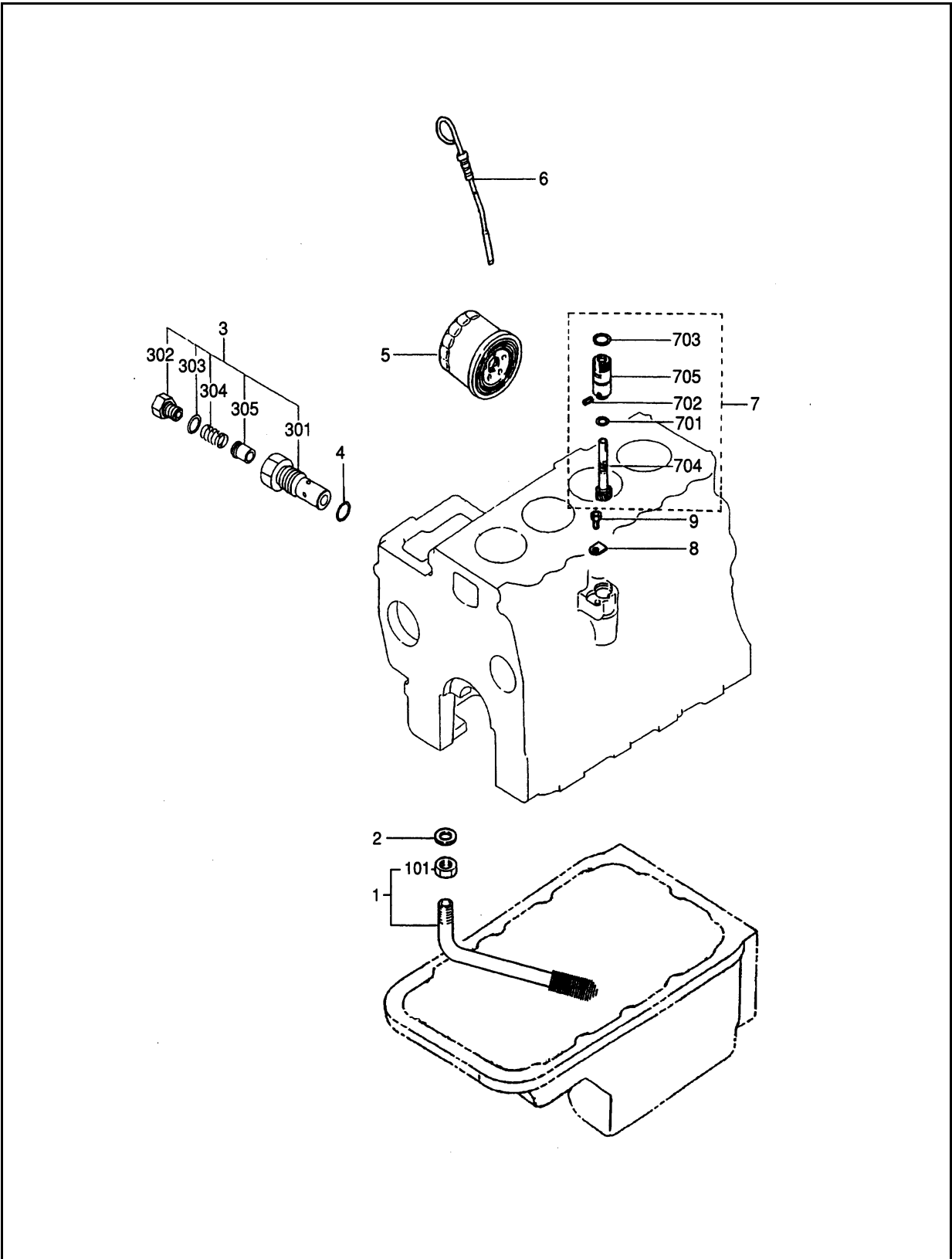
A-i28 / B-i36

**FIG. 35**

| NO. | PART NO.    | PART NAME & DESCRIPTION | QTY |   |   | APP.NO | REM. |
|-----|-------------|-------------------------|-----|---|---|--------|------|
|     |             |                         | A   | B | C |        |      |
| 1   | 31A35-30010 | PUMP ASSY, OIL          | 1   | 1 |   |        |      |
| 01  | 31A35-02300 | PACKING, BODY           | 1   | 1 |   |        |      |
| 2   | F1035-08022 | BOLT                    | 3   | 3 |   |        |      |
|     |             |                         |     |   |   |        |      |
|     |             |                         |     |   |   |        |      |
|     |             |                         |     |   |   |        |      |
|     |             |                         |     |   |   |        |      |
|     |             |                         |     |   |   |        |      |
|     |             |                         |     |   |   |        |      |
|     |             |                         |     |   |   |        |      |
|     |             |                         |     |   |   |        |      |
|     |             |                         |     |   |   |        |      |
|     |             |                         |     |   |   |        |      |
|     |             |                         |     |   |   |        |      |
|     |             |                         |     |   |   |        |      |
|     |             |                         |     |   |   |        |      |

# OIL SYSTEM

FIG. 36



# OIL SYSTEM

A-i28 / B-i36

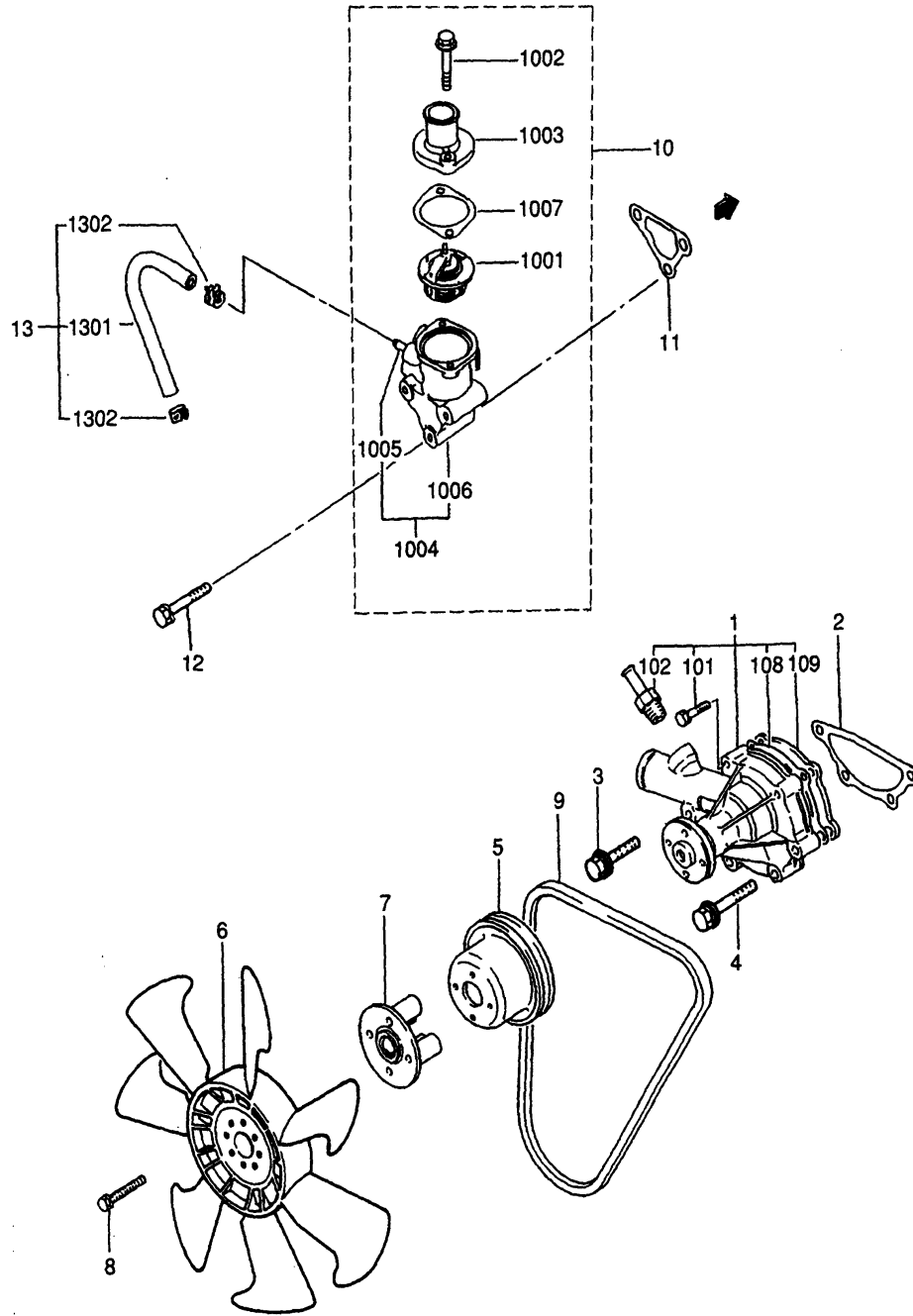
A-i28 / B-i36

**FIG. 36**

| NO. | PART NO.    | PART NAME & DESCRIPTION | QTY |   |   | APP.NO | REM. |
|-----|-------------|-------------------------|-----|---|---|--------|------|
|     |             |                         | A   | B | C |        |      |
| 1   | 31A35-05050 | STRAINER ASSY           | 1   | 1 |   |        |      |
| 01  | MF430729    | NUT, JAM                | 1   | 1 |   |        |      |
| 2   | MF660036    | GASKET                  | 1   | 1 |   |        |      |
| 3   | 32A36-05011 | VALVE ASSY, RELIEF      | 1   | 1 |   |        |      |
| 01  | *           | HOUSING, VALVE          | 1   | 1 |   |        |      |
| 02  | *           | PLUG                    | 1   | 1 |   |        |      |
| 03  | *           | GASKET                  | 1   | 1 |   |        |      |
| 04  | *           | SPRING, RELIEF          | 1   | 1 |   |        |      |
| 05  | *           | PLUNGER, RELIEF         | 1   | 1 |   |        |      |
| 4   | F4202-22000 | GASKET                  | 1   | 1 |   |        |      |
| 5   | MD134953    | FILTER ASSY, OIL        | 1   | 1 |   |        |      |
| 6   | 31A42-10100 | GAGE, OIL LEVEL         | 1   | 1 |   |        |      |
| 7   | MM430598    | DRIVEN UNIT, METER      | 1   | 1 |   |        |      |
| 01  | MD701788    | O-RING                  | 1   | 1 |   |        |      |
| 02  | MF472535    | PIN, SPRING             | 1   | 1 |   |        |      |
| 03  | MF520012    | O-RING                  | 1   | 1 |   |        |      |
| 04  | MM407171    | GEAR                    | 1   | 1 |   |        |      |
| 05  | MM430419    | SLEEVE                  | 1   | 1 |   |        |      |
| 8   | MD701789    | PLATE                   | 1   | 1 |   |        |      |
| 9   | F1805-06012 | BOLT, W/WASHER          | 1   | 1 |   |        |      |
|     |             |                         |     |   |   |        |      |
|     |             |                         |     |   |   |        |      |
|     |             |                         |     |   |   |        |      |
|     |             |                         |     |   |   |        |      |
|     |             |                         |     |   |   |        |      |
|     |             |                         |     |   |   |        |      |

# COOLING SYSTEM

FIG. 45



# COOLING SYSTEM

A-i28 / B-i36

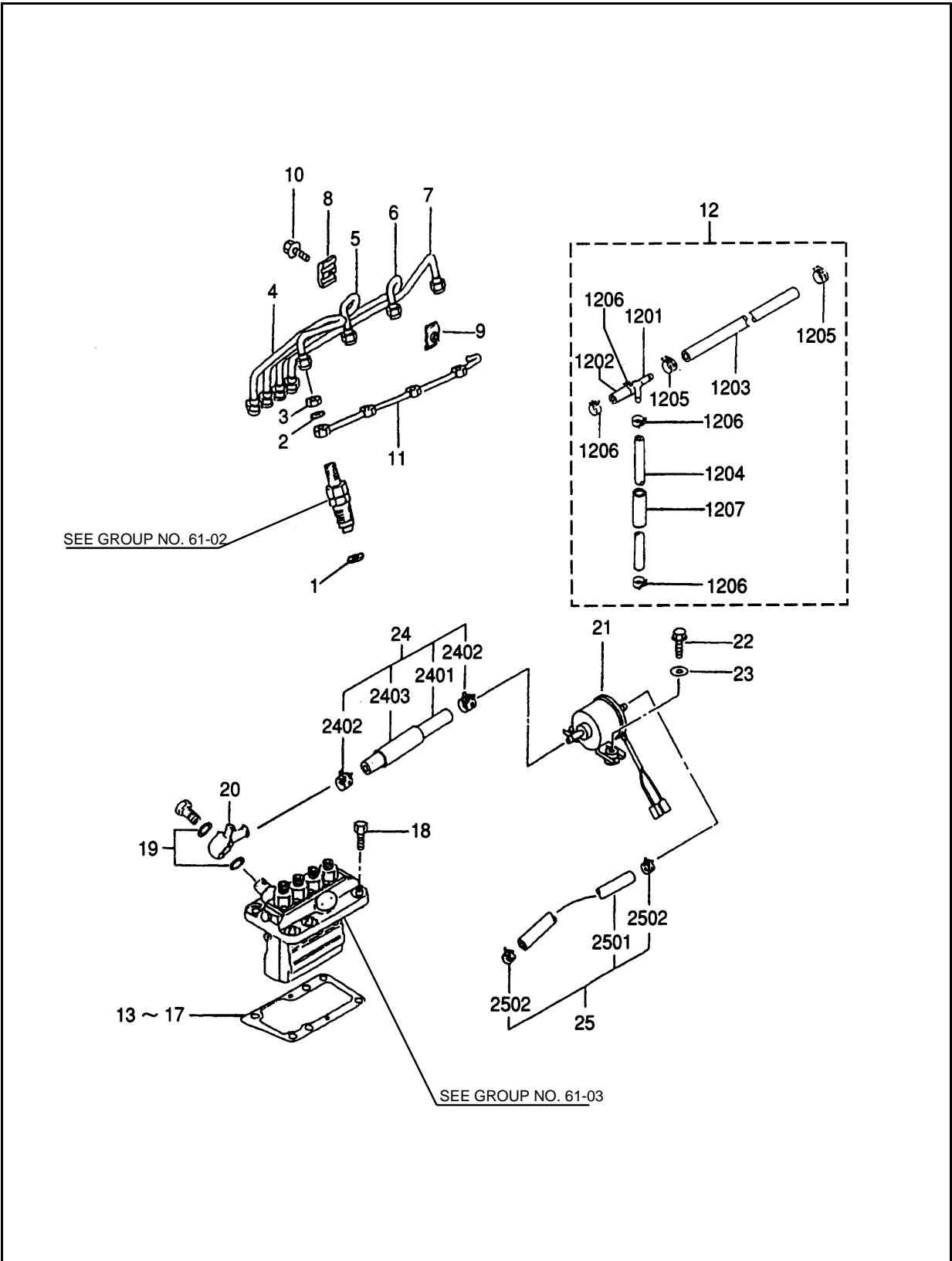
A-i28 / B-i36

**FIG. 45**

| NO. | PART NO.    | PART NAME & DESCRIPTION | QTY |   |   | APP.NO | REM. |
|-----|-------------|-------------------------|-----|---|---|--------|------|
|     |             |                         | A   | B | C |        |      |
| 1   | MM409302    | PUMP ASSY, WATER        | 1   | 1 |   |        |      |
| 01  | F1805-06030 | BOLT, W/WASHER          | 2   | 2 |   |        |      |
| 02  | MM409314    | JOINT, WATER PUMP       | 1   | 1 |   |        |      |
| 08  | MM409326    | GASKET, WATER PUMP      | 1   | 1 |   |        |      |
| 09  | MM409327    | PLATE, WATER PUMP       | 1   | 1 |   |        |      |
| 2   | MM407-42202 | GASKET, WATER PUMP      | 1   | 1 |   |        |      |
| 3   | F1825-08045 | BOLT, W/WASHER          | 3   | 3 |   |        |      |
| 4   | F1825-08060 | BOLT, W/WASHER          | 1   | 1 |   |        |      |
| 5   | 31A45-20700 | PULLEY, W/PUMP 89       | 1   | 1 |   |        |      |
| 6   | 30H48-00200 | FAN, COOLING            | 1   | 1 |   |        |      |
| 7   | 31A48-01100 | SPACER, FAN             | 2   | 2 |   |        |      |
| 8   | MF241242    | BOLT, W/WASHER          | 4   | 4 |   |        |      |
| 9   | MD041704    | V-BELT                  | 1   | 1 |   |        |      |
| 10  | 31A46-01060 | THERMOSTAT ASSY         | 1   | 1 |   |        |      |
| 01  | MD001370    | THERMOSTAT              | 1   | 1 |   |        |      |
| 02  | MF140227    | BOLT, FLANGE            | 2   | 2 |   |        |      |
| 03  | MM409-31301 | COVER, THERMOSTAT       | 1   | 1 |   |        |      |
| 04  | 31A46-00062 | CASE ASSY, THERMOSTAT   | 1   | 1 |   |        |      |
| 05  | *           | PIPE, THERMOSTAT        | 1   | 1 |   |        |      |
| 06  | *           | CASE, THERMOSTAT        | 1   | 1 |   |        |      |
| 07  | 31A46-01200 | GASKET, THERMOSTAT      | 1   | 1 |   |        |      |
| 11  | 31A46-10101 | GASKET, THERMO CASE     | 1   | 1 |   |        |      |
| 12  | F1805-08065 | BOLT, W/WASHER          | 3   | 3 |   |        |      |
| 13  | MM413196    | HOSE ASSY               | 1   | 1 |   |        |      |
| 01  | MS603014    | HOSE                    | 1   | 1 |   |        |      |
| 02  | MS660164    | CLIP                    | 2   | 2 |   |        |      |
|     |             |                         |     |   |   |        |      |
|     |             |                         |     |   |   |        |      |
|     |             |                         |     |   |   |        |      |

# FUEL SYSTEM

FIG. 61-01



# FUEL SYSTEM

A-i28 / B-i36

A-i28 / B-i36

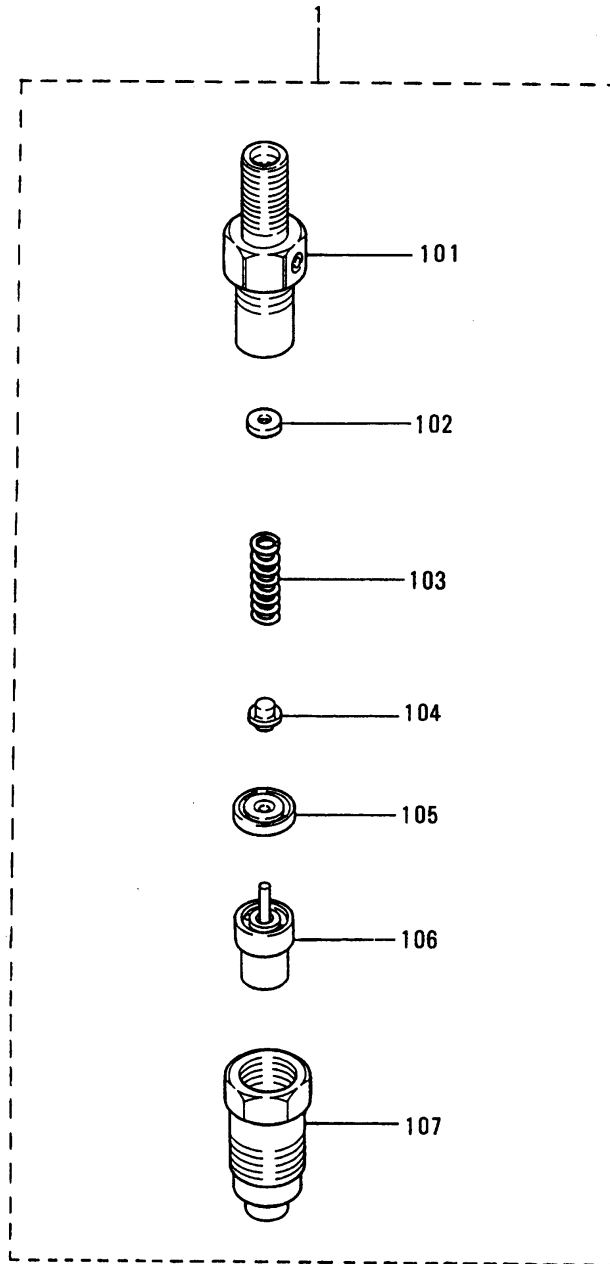
**FIG. 61-01**

| NO. | PART NO.    | PART NAME & DESCRIPTION | QTY   |   |   | APP.NO | REM. |
|-----|-------------|-------------------------|-------|---|---|--------|------|
|     |             |                         | A     | B | C |        |      |
| 1   | MD070717    | GASKET, HOLDER          | 4     | 4 |   |        |      |
| 2   | MD068355    | GASKET, FUEL RETURN     | 4     | 4 |   |        |      |
| 3   | MD068353    | NUT                     | 4     | 4 |   |        |      |
| 4   | 31A61-04100 | PIPE, INJECTION NO.1    | 1     | 1 |   |        |      |
| 5   | 31A61-04200 | PIPE, INJECTION NO.2    | 1     | 1 |   |        |      |
| 6   | 31A61-04300 | PIPE, INJECTION NO.3    | 1     | 1 |   |        |      |
| 7   | 31A61-04400 | PIPE, INJECTION NO.4    | 1     | 1 |   |        |      |
| 8   | MM430703    | CLAMP (A)               | 3     | 3 |   |        |      |
| 9   | MM430614    | CLAMP (B)               | 3     | 3 |   |        |      |
| 10  | F1825-06025 | BOLT, W/WASHER          | 3     | 3 |   |        |      |
| 11  | 31A61-12600 | PIPE, FUEL LEAK OFF     | 1     | 1 |   |        |      |
| 12  | 31A61-03200 | HOSE ASSY, AIR VENT     | 1     | 1 |   |        |      |
| 01  | MM400886    | JOINT                   | 1     | 1 |   |        |      |
| 02  | MM430130    | HOSE, FUEL              | 1     | 1 |   |        |      |
| 03  | MS602063    | HOSE, FUEL              | 1     | 1 |   |        |      |
| 04  | MS604043    | HOSE, FUEL              | 1     | 1 |   |        |      |
| 05  | MS660163    | CLIP                    | 2     | 2 |   |        |      |
| 06  | MS660169    | CLIP                    | 4     | 4 |   |        |      |
| 07  | 31A61-01200 | HOSE, RUBBER            | 1     | 1 |   |        |      |
| 13  | MM409036    | SHIM                    | T=0.7 | 1 | 1 |        |      |
| 14  | MM409037    | SHIM                    | T=0.8 | 1 | 1 |        |      |
| 15  | MM409038    | SHIM                    | T=0.9 | 1 | 1 |        |      |
| 16  | MM409039    | SHIM                    | T=1.0 | 1 | 1 |        |      |
| 17  | MM409031    | SHIM                    | T=0.2 | 1 | 1 |        |      |
| 18  | F1035-08020 | BOLT                    | 6     | 6 |   |        |      |
| 19  | MK661-14000 | WASHER, SEAL            | 2     | 2 |   |        |      |
| 20  | MM437140    | COLOR, UNION            | 1     | 1 |   |        |      |
| 21  | MM436739    | PUMP ASSY, FUEL         | 1     | 1 |   |        |      |
| 22  | F1805-06025 | BOLT, W/WASHER          | 2     | 2 |   |        |      |
| 23  | MD107589    | WASHER                  | 2     | 2 |   |        |      |
| 24  | 31A61-05102 | HOSE ASSY, FUEL         | 1     | 1 |   |        |      |
| 01  | MS602035    | HOSE, FUEL              | 1     | 1 |   |        |      |
| 02  | MS660163    | CLIP                    | 2     | 2 |   |        |      |
| 03  | 31A61-01300 | HOSE, RUBBER            | 1     | 1 |   |        |      |
| 25  | MM413205    | HOSE ASSY, FUEL         | 1     | 1 |   |        |      |
| 01  | MS602063    | HOSE, FUEL              | 1     | 1 |   |        |      |
| 02  | MS660163    | CLIP                    | 2     | 2 |   |        |      |
|     |             |                         |       |   |   |        |      |



# NOZZLE & NOZZLE HOLDER

FIG. 61-02



# NOZZLE & NOZZLE HOLDER

A-i28 / B-i36

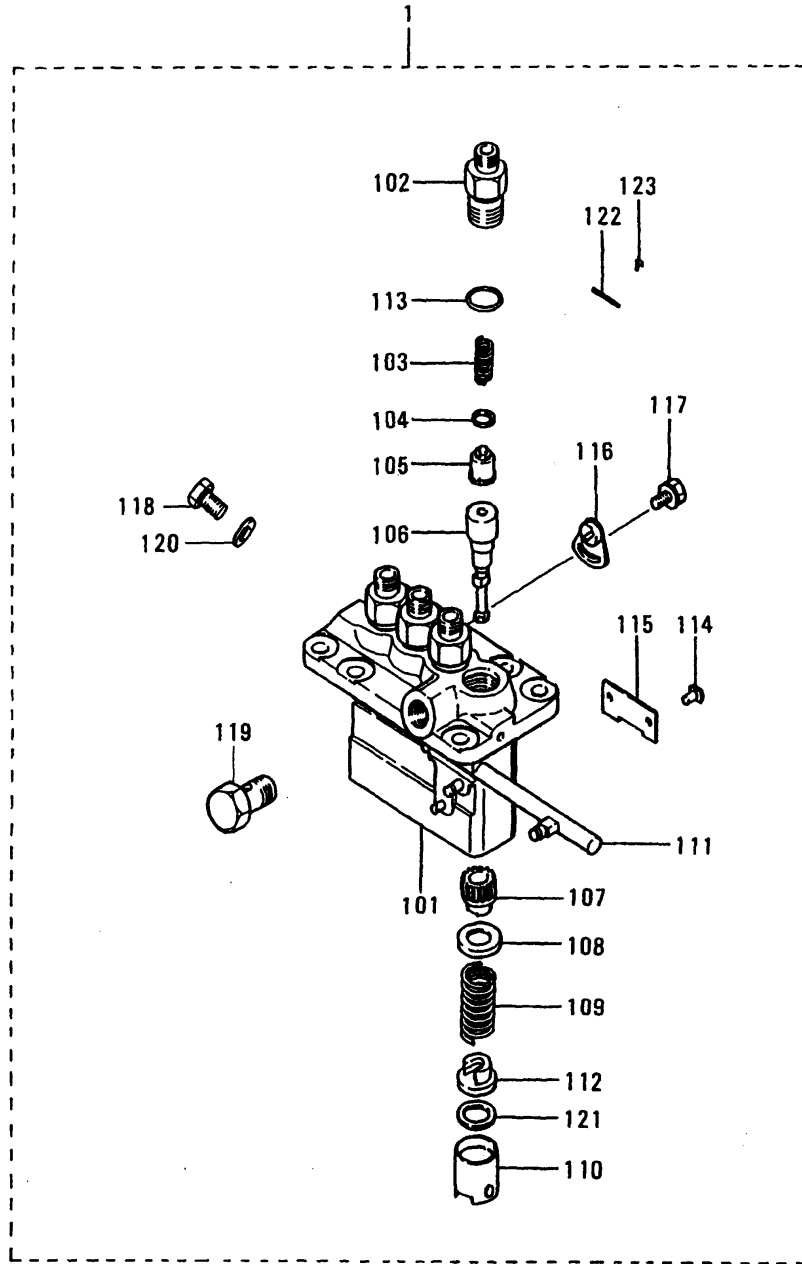
A-i28 / B-i36

**FIG. 61-02**

| NO. | PART NO.    | PART NAME & DESCRIPTION |                 | QTY |    |   | APP.NO | REM. |
|-----|-------------|-------------------------|-----------------|-----|----|---|--------|------|
|     |             |                         |                 | A   | B  | C |        |      |
| 1   | MM435-94101 | NOZZLE & HOLDER ASSY    | 093500-3840 DEN | 4   | 4  |   |        |      |
| 01  | 09311-03840 | BODY SUB ASSY           | MM514048        | 4   | 4  |   |        |      |
| 02  | 09317-51810 | WASHER                  | MD603490        | AR  | AR |   |        |      |
|     | 09317-51830 | WASHER                  | MD603491        | AR  | AR |   |        |      |
|     | 09317-51850 | WASHER                  | MD603492        | AR  | AR |   |        |      |
|     | 09317-51870 | WASHER                  | MD603493        | AR  | AR |   |        |      |
|     | 09317-51890 | WASHER                  | MD603494        | AR  | AR |   |        |      |
|     | 09317-51910 | WASHER                  | MD603495        | AR  | AR |   |        |      |
|     | 09317-51930 | WASHER                  | MD603496        | AR  | AR |   |        |      |
|     | 09317-51950 | WASHER                  | MD603497        | AR  | AR |   |        |      |
|     | 09317-51970 | WASHER                  | MD603498        | AR  | AR |   |        |      |
|     | 09317-51990 | WASHER                  | MD603499        | AR  | AR |   |        |      |
| 03  | 09312-70310 | SPRING, PRESSURE        | MM514047        | 4   | 4  |   |        |      |
| 04  | 09312-10380 | PIN, PRESSURE           | MM501838        | 4   | 4  |   |        |      |
| 05  | 09317-40070 | PIECE, DISTANCE         | MM501841        | 4   | 4  |   |        |      |
| 06  | 09340-05060 | NOZZLE ASSY             | MD603660        | 4   | 4  |   |        |      |
| 07  | 09316-41351 | NUT, NOZZLE RETAINING   | MM514380        | 4   | 4  |   |        |      |
|     |             |                         |                 |     |    |   |        |      |
|     |             |                         |                 |     |    |   |        |      |
|     |             |                         |                 |     |    |   |        |      |
|     |             |                         |                 |     |    |   |        |      |
|     |             |                         |                 |     |    |   |        |      |
|     |             |                         |                 |     |    |   |        |      |
|     |             |                         |                 |     |    |   |        |      |

# INJECTION PUMP

FIG. 61-03-01



# INJECTION PUMP

A-i28 / B-i36

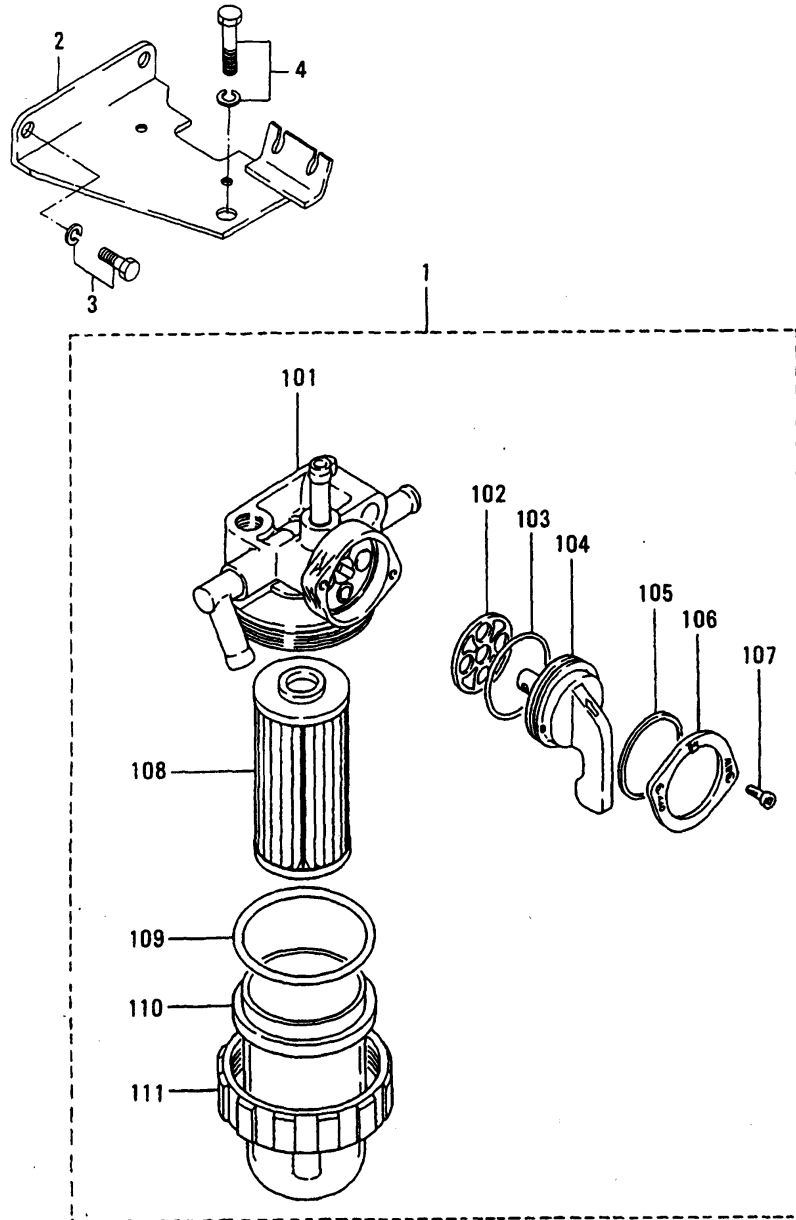
A-i28 / B-i36

**FIG. 61-03-01**

| NO. | PART NO.    | PART NAME & DESCRIPTION |                 | QTY |    |   | APP.NO | REM. |
|-----|-------------|-------------------------|-----------------|-----|----|---|--------|------|
|     |             |                         |                 | A   | B  | C |        |      |
| 1   | 31A65-20041 | PUMP ASSY, FUEL INJ.    | 094500-6510 DEN | 1   | *  |   |        |      |
|     | 31A65-21040 | PUMP ASSY, FUEL INJ.    | 094500-6444 NDC | *   | 1  |   |        |      |
| 01  | 09011-05070 | HOUSING SUB ASSY        | 47X01-04200     | 1   | 1  |   |        |      |
| 02  | 09013-10520 | HOLDER, DELIVERY        | MM501507        | 4   | 4  |   |        |      |
| 03  | 09013-60640 | SPRING, DELIVERY        | MM501385        | 4   | 4  |   |        |      |
| 04  | 09013-70130 | GASKET, DELIVERY        | MM501856        | 4   | 4  |   |        |      |
| 05  | 09014-02500 | VALVE SUB ASSY          | 47X01-04300     | 4   | *  |   |        |      |
|     | 09014-02610 | VALVE SUB ASSY          | 47X01-07700     | *   | 4  |   |        |      |
| 06  | 09015-05450 | ELEMENT SUB ASSY        | 47X01-04400     | 4   | 4  |   |        |      |
| 07  | 09016-10210 | SLEEVE, CONTROL         | MM500229        | 4   | 4  |   |        |      |
| 08  | 09016-30082 | SEAT, SPRING UPPER      | MM501098        | 4   | 4  |   |        |      |
| 09  | 09016-40170 | SPRING, PLUNGER         | MM500360        | 4   | 4  |   |        |      |
| 10  | 09017-00170 | TAPPET SUB ASSY         | MM500230        | 4   | 4  |   |        |      |
| 11  | 09021-00440 | RACK ASSY, CONTROL      | MM501255        | 1   | 1  |   |        |      |
| 12  | 09030-10060 | SEAT, SPRING LOWER      | MM500316        | 4   | 4  |   |        |      |
| 13  | 90802-20150 | O-RING                  | MM500438        | 4   | 4  |   |        |      |
| 14  | 09018-30050 | PIN, TAPPET GUIDE       | MM500231        | 4   | 4  |   |        |      |
| 15  | 09046-70030 | PLATE                   | MM500232        | 2   | 2  |   |        |      |
| 16  | 09006-80020 | PLATE, ADJUSTING        | MM514109        | 3   | 3  |   |        |      |
| 17  | 94904-80800 | BOLT, WASHER HEAD       | MM514195        | 3   | 3  |   |        |      |
| 18  | 09024-40180 | SCREW, AIR BLEEDER      | MM501152        | 1   | 1  |   |        |      |
| 19  | 94918-00310 | SCREW, HOLLOW           | MM500100        | 1   | 1  |   |        |      |
| 20  | 94901-81020 | WASHER, PLATE           | MM500578        | 1   | 1  |   |        |      |
| 21  | *           | PLATE, SHIM             |                 | AR  | AR |   |        |      |
| 22  | 09450-36510 | PLATE, NAME             | 47X01-06300     | 1   | *  |   |        |      |
|     | 09450-36444 | PLATE, NAME             | 47X01-05700     | *   | 1  |   |        |      |
| 23  | 94903-00030 | RIVET                   | MM500429        | 2   | 2  |   |        |      |
|     |             |                         |                 |     |    |   |        |      |
|     |             |                         |                 |     |    |   |        |      |
|     |             |                         |                 |     |    |   |        |      |

# FUEL FILTER

FIG. 62



# FUEL FILTER

A-i28 / B-i36

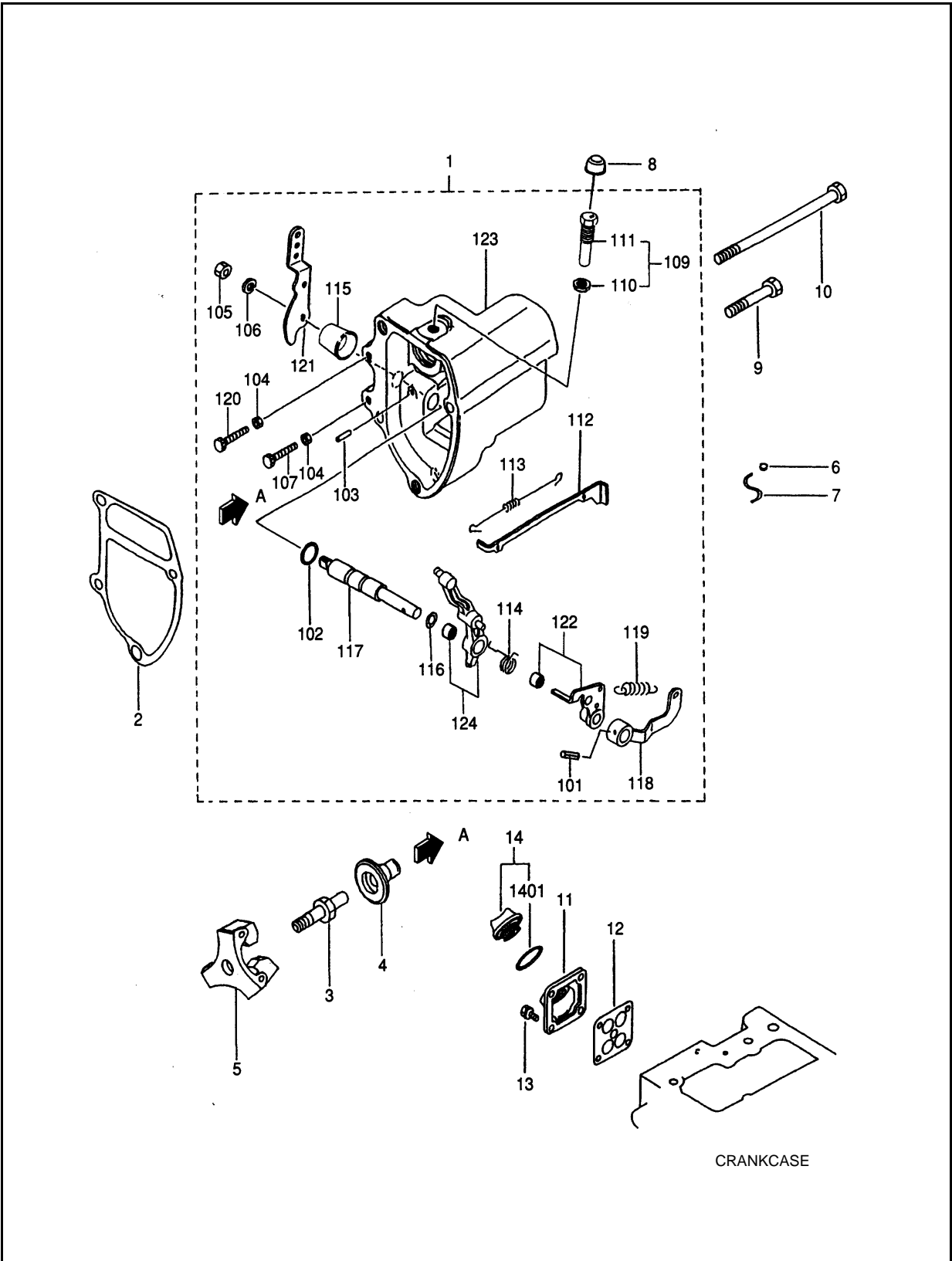
A-i28 / B-i36

**FIG. 62**

| NO. | PART NO.    | PART NAME & DESCRIPTION |                 | QTY |   |   | APP.NO | REM. |
|-----|-------------|-------------------------|-----------------|-----|---|---|--------|------|
|     |             |                         |                 | A   | B | C |        |      |
| 1   | MM438739    | FILTER ASSY, FUEL       | 094500-6510 DEN | 1   | 1 |   |        |      |
| 01  | MM438743    | BODY                    | 094500-6444 NDC | 1   | 1 |   |        |      |
| 02  | MM438748    | PACKING, VALVE          | 47X01-04200     | 1   | 1 |   |        |      |
| 03  | MM409866    | O-RING, VALVE           | MM501507        | 1   | 1 |   |        |      |
| 04  | MM438747    | LEVER                   | MM501385        | 1   | 1 |   |        |      |
| 05  | MM409864    | WASHER, WAVE            | MM501856        | 1   | 1 |   |        |      |
| 06  | MM409865    | PLATE, LEVER            | 47X01-04300     | 1   | 1 |   |        |      |
| 07  | MF200003    | SCREW                   | 47X01-07700     | 2   | 2 |   |        |      |
| 08  | MM320886    | ELEMENT                 | 47X01-04400     | 1   | 1 |   |        |      |
| 09  | MM409869    | O-RING, FILTER CUP      | MM500229        | 1   | 1 |   |        |      |
| 10  | MM320881    | CUP, FILTER             | MM501098        | 1   | 1 |   |        |      |
| 11  | MM409868    | NUT, RING               | MM500360        | 1   | 1 |   |        |      |
| 2   | 31A62-21100 | BRACKET, FUEL FILTER    | MM500230        | 1   | 1 |   |        |      |
| 3   | F1805-08016 | BOLT, W/WASHER          | MM501255        | 2   | 2 |   |        |      |
| 4   | F1805-10020 | BOLT, W/WASHER          | MM500316        | 1   | 1 |   |        |      |
|     |             |                         |                 |     |   |   |        |      |
|     |             |                         |                 |     |   |   |        |      |
|     |             |                         |                 |     |   |   |        |      |
|     |             |                         |                 |     |   |   |        |      |
|     |             |                         |                 |     |   |   |        |      |
|     |             |                         |                 |     |   |   |        |      |
|     |             |                         |                 |     |   |   |        |      |
|     |             |                         |                 |     |   |   |        |      |

# GOVERNOR

FIG. 63-01



# GOVERNOR

A-i28 / B-i36

A-i28

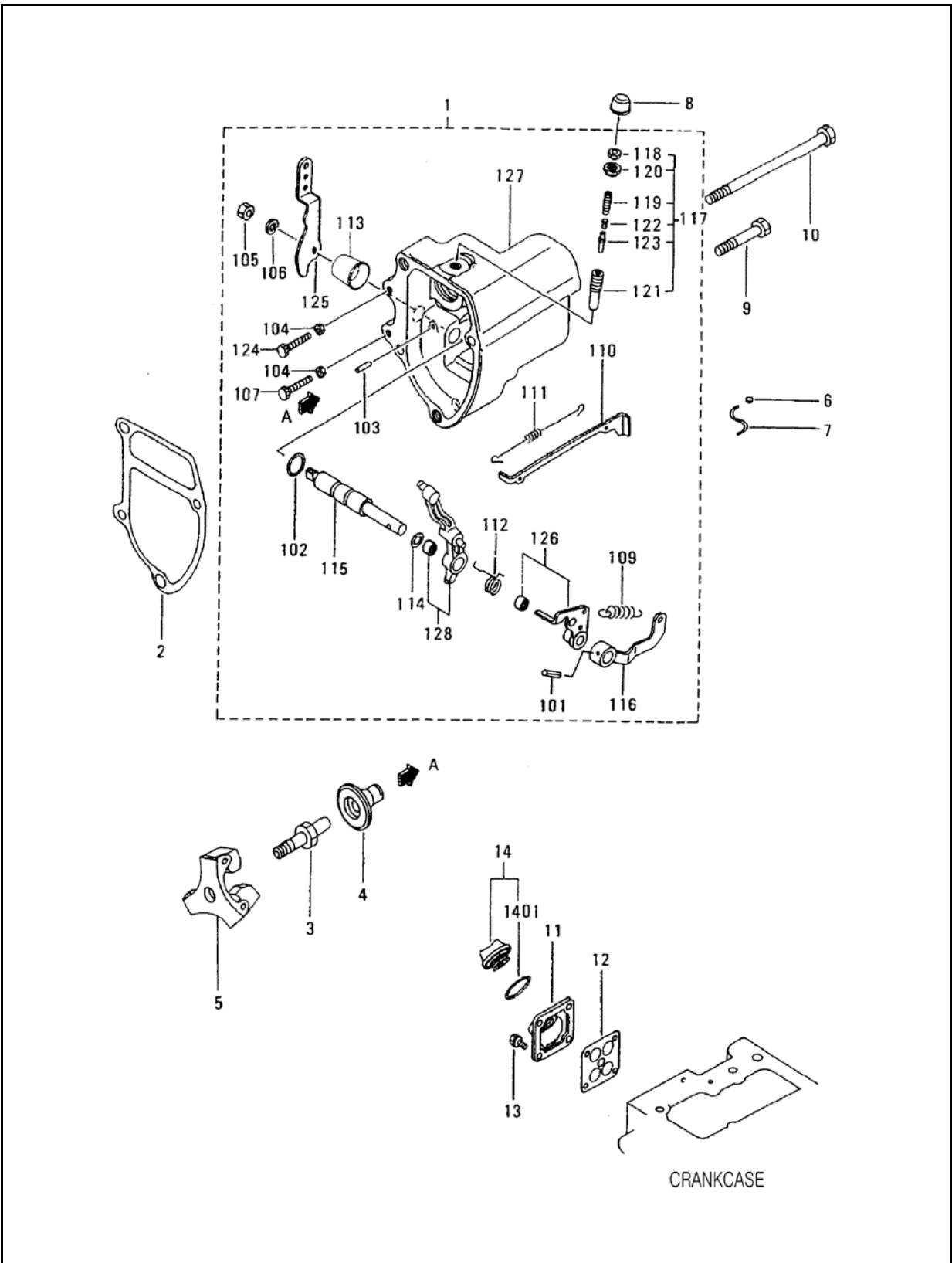
**FIG. 63-01**

| NO. | PART NO.    | PART NAME & DESCRIPTION | QTY |   |   | APP.NO | REM. |
|-----|-------------|-------------------------|-----|---|---|--------|------|
|     |             |                         | A   | B | C |        |      |
| 1   | 31A63-55021 | CASE ASSY, GOVERNOR     | 1   |   |   |        |      |
| 01  | F2850-03020 | PIN, SPRING             | 1   |   |   |        |      |
| 02  | F3150-01010 | O-RING                  | 1   |   |   |        |      |
| 03  | K8712630    | PIN, GROOVED            | 1   |   |   |        |      |
| 04  | MF430004    | NUT                     | 2   |   |   |        |      |
| 05  | MF430725    | NUT, JAM                | 1   |   |   |        |      |
| 06  | MF450405    | WASHER, SPRING          | 1   |   |   |        |      |
| 07  | MM331-31701 | BOLT, SPEED SET         | 1   |   |   |        |      |
| 09  | 30L63-00020 | SCREW ASSY, RACK SET    | 1   |   |   |        |      |
| 10  | 30L63-00600 | NUT, TORQUE SET         | 1   |   |   |        |      |
| 11  | 31A63-05601 | SCREW, RACK SET         | 1   |   |   |        |      |
| 12  | 31A63-00400 | TIE-ROD                 | 1   |   |   |        |      |
| 13  | 31A63-00500 | SPRING, TIE-ROD         | 1   |   |   |        |      |
| 14  | 31A63-01400 | SPRING, START           | 1   |   |   |        |      |
| 15  | 31A63-01800 | COVER, GOVERNOR         | 1   |   |   |        |      |
| 16  | 31A63-02400 | SHIM, GOVERNOR SHAFT    | 1   |   |   |        |      |
| 17  | 31A63-02600 | SHAFT, GOVERNOR         | 1   |   |   |        |      |
| 18  | 31A63-02700 | LEVER, GOV. SPRING      | 1   |   |   |        |      |
| 19  | 31A63-03300 | SPRING, GOVERNOR        | 1   |   |   |        |      |
| 20  | 31A63-07900 | BOLT, LOW IDLE SET      | 1   |   |   |        |      |
| 21  | 31A63-11301 | LEVER, SPEED CONTROL    | 1   |   |   |        |      |
| 22  | 31A63-00071 | LEVER ASSY, TENSION     | 1   |   |   |        |      |
| 23  | 31A63-22100 | CASE, GOVERNOR          | 1   |   |   |        |      |
| 24  | 31A63-10090 | LEVER ASSY, GOVERNOR    | 1   |   |   |        |      |
| 2   | 31A63-12201 | GASKET, GOVERNOR CASE   | 1   |   |   |        |      |
| 3   | 31A63-10305 | SHAFT, SLIDING SLEEVE   | 1   |   |   |        |      |
| 4   | 31A63-20201 | SLEEVE, SLIDING         | 1   |   |   |        |      |
| 5   | 31A63-11061 | WEIGHT ASSY, GOVERNOR   | 1   |   |   |        |      |
| 6   | MK992-00001 | METAL                   | 1   |   |   |        |      |
| 7   | MK993-00240 | WIRE                    | 1   |   |   |        |      |
| 8   | MM433614    | CAP, TORQUE SET         | 1   |   |   |        |      |
| 9   | F1035-08045 | BOLT                    | 3   |   |   |        |      |
| 10  | 31A63-02300 | BOLT, GOVERNOR CASE     | 1   |   |   |        |      |
| 11  | MM435288    | OIL, INLET              | 1   |   |   |        |      |
| 12  | MM435249    | PROTECTOR, OIL INLET    | 1   |   |   |        |      |
| 13  | F1805-06018 | BOLT, W/WASHER          | 4   |   |   |        |      |
| 14  | MM300540    | CAP ASSY, OIL FILLER    | 1   |   |   |        |      |
| 01  | MF520402    | O-RING                  | 1   |   |   |        |      |
|     |             |                         |     |   |   |        |      |



# GOVERNOR

FIG. 63-01



# GOVERNOR

A-i28 / B-i36

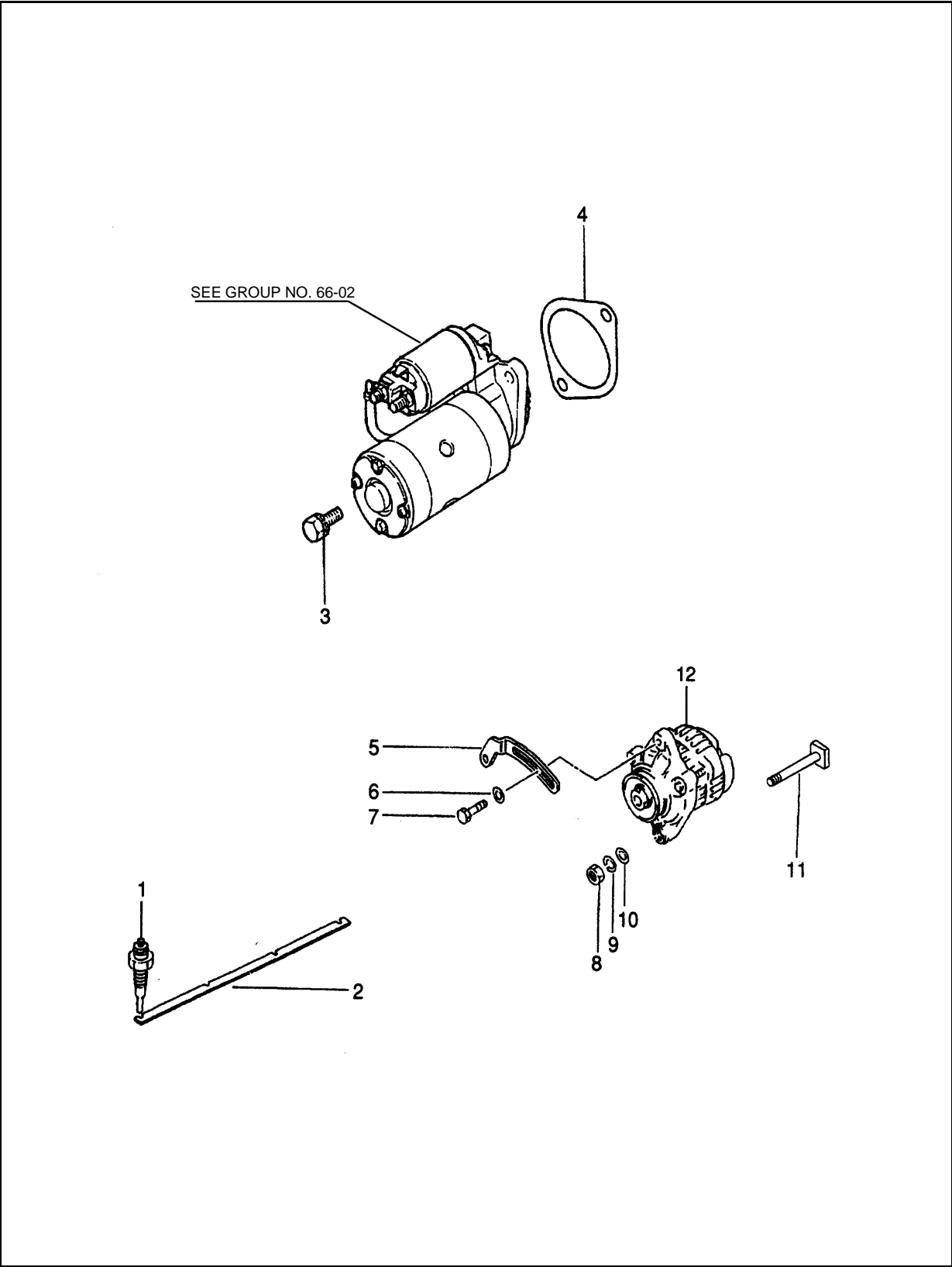
A-i36

**FIG. 63-01**

| NO. | PART NO.    | PART NAME & DESCRIPTION | QTY |   |   | APP.NO | REM. |
|-----|-------------|-------------------------|-----|---|---|--------|------|
|     |             |                         | A   | B | C |        |      |
| 1   | 31A63-09010 | CASE ASSY, GOVERNOR     | 1   |   |   |        |      |
| 01  | F2850-03020 | PIN, SPRING             | 1   |   |   |        |      |
| 02  | F3150-01010 | O-RING                  | 1   |   |   |        |      |
| 03  | K8712630    | PIN, GROOVED            | 1   |   |   |        |      |
| 04  | MF430004    | NUT                     | 2   |   |   |        |      |
| 05  | MF430725    | NUT, JAM                | 1   |   |   |        |      |
| 06  | MF450405    | WASHER, SPRING          | 1   |   |   |        |      |
| 07  | MM331-31701 | BOLT, SPEED SET         | 1   |   |   |        |      |
| 09  | MM433673    | SPRING                  | 1   |   |   |        |      |
| 10  | 31A63-00400 | TIE-ROD                 | 1   |   |   |        |      |
| 11  | 31A63-00500 | SPRING, TIE-ROD         | 1   |   |   |        |      |
| 12  | 31A63-01400 | SPRING, START           | 1   |   |   |        |      |
| 13  | 31A63-01800 | COVER, GOVERNOR         | 1   |   |   |        |      |
| 14  | 31A63-02400 | SHIM, GOVERNOR SHAFT    | 1   |   |   |        |      |
| 15  | 31A63-02600 | SHAFT, GOVERNOR         | 1   |   |   |        |      |
| 16  | 31A63-02700 | LEVER, GOV. SPRING      | 1   |   |   |        |      |
| 17  | 31A63-04040 | SPRING SET, TORQUE      | 1   |   |   |        |      |
| 18  | MD000961    | NUT                     | 1   |   |   |        |      |
| 19  | MD019845    | SCREW, ADJUSTING        | 1   |   |   |        |      |
| 20  | MM433233    | NUT,SPECIAL             | 1   |   |   |        |      |
| 21  | MM434542    | CASE, TORQUE SPRING     | 1   |   |   |        |      |
| 22  | MM435203    | SPRING, TORQUE          | 1   |   |   |        |      |
| 23  | 31A63-04200 | STOPPER, SPRING         | 1   |   |   |        |      |
| 24  | 31A63-07900 | BOLT, LOW IDLE SET      | 1   |   |   |        |      |
| 25  | 31A63-11301 | LEVER, SPEED CONTROL    | 1   |   |   |        |      |
| 26  | 31A63-00071 | LEVER ASSY, TENSION     | 1   |   |   |        |      |
| 27  | 31A63-22100 | CASE, GOVERNOR          | 1   |   |   |        |      |
| 28  | 31A63-10090 | LEVER ASSY, GOVERNOR    | 1   |   |   |        |      |
| 2   | 31A63-12201 | GASKET, GOVERNOR CASE   | 1   |   |   |        |      |
| 3   | 31A63-10305 | SHAFT, SLIDING SLEEVE   | 1   |   |   |        |      |
| 4   | 31A63-20201 | SLEEVE, SLIDING         | 1   |   |   |        |      |
| 5   | 31A63-11061 | WEIGHT ASSY, GOVERNOR   | 1   |   |   |        |      |
| 6   | MK992-00001 | METAL                   | 1   |   |   |        |      |
| 7   | MK993-00240 | WIRE                    | 1   |   |   |        |      |
| 8   | MM433614    | CAP, TORQUE SET         | 1   |   |   |        |      |
| 9   | F1035-08045 | BOLT                    | 3   |   |   |        |      |
| 10  | 31A63-02300 | BOLT, GOVERNOR CASE     | 1   |   |   |        |      |
| 11  | MM435288    | OIL, INLET              | 1   |   |   |        |      |
| 12  | MM435249    | PROTECTOR, OIL INLET    | 1   |   |   |        |      |
| 13  | F1805-06018 | BOLT, W/WASHER          | 4   |   |   |        |      |
|     |             |                         |     |   |   |        |      |

# ELECTRIC PARTS

FIG. 66-01



# ELECTRIC PARTS

A-i28 / B-i36

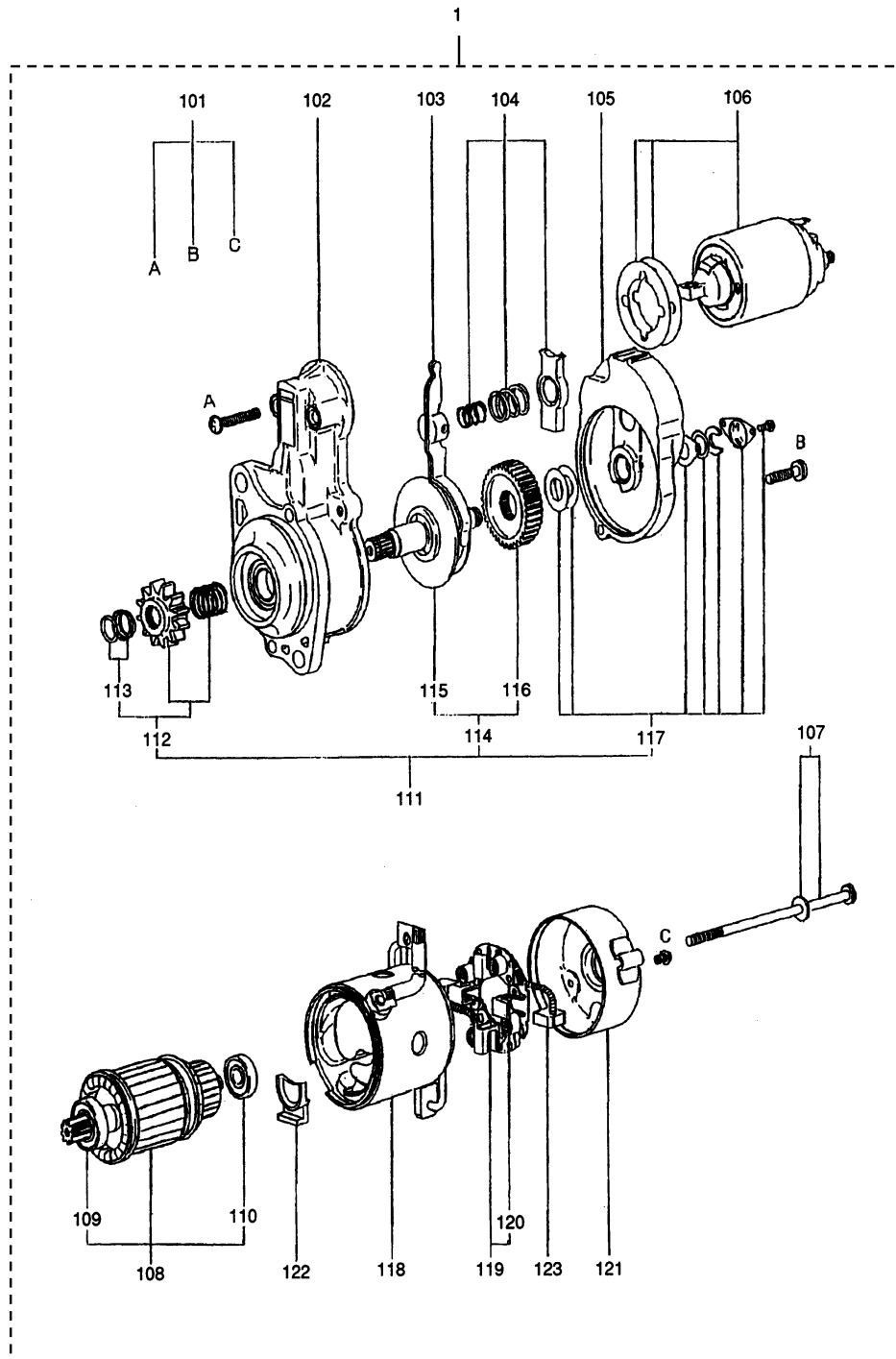
A-i28 / B-i36

**FIG. 66-01**

| NO. | PART NO.    | PART NAME & DESCRIPTION | QTY |   |   | APP.NO | REM. |
|-----|-------------|-------------------------|-----|---|---|--------|------|
|     |             |                         | A   | B | C |        |      |
| 1   | 32A66-03100 | PLUG, GLOW              | 1   | 1 |   |        |      |
| 2   | 31A66-04101 | PLATE, CONNECTION       | 1   | 1 |   |        |      |
| 3   | F1805-10025 | BOLT, W/WASHER          | 1   | 1 |   |        |      |
| 4   | MM409-41901 | GASKET, STARTER         | 1   | 1 |   |        |      |
| 5   | 31A68-02100 | PLATE, ADJUSTING        | 1   | 1 |   |        |      |
| 6   | MD001521    | WASHER                  | 1   | 1 |   |        |      |
| 7   | MF140026    | BOLT, FLANGE            | 1   | 1 |   |        |      |
| 8   | MF430006    | NUT                     | 2   | 2 |   |        |      |
| 9   | MF450406    | WASHER, SPRING          | 1   | 1 |   |        |      |
| 10  | MF450006    | WASHER, PLAIN           | 1   | 1 |   |        |      |
| 11  | 31A68-20300 | BOLT, ALTERNATOR        | 1   | 1 |   |        |      |
| 12  | 31A68-00402 | ALTERNATOR ASSY         | 1   | 1 |   |        |      |
|     |             |                         |     |   |   |        |      |
|     |             |                         |     |   |   |        |      |
|     |             |                         |     |   |   |        |      |
|     |             |                         |     |   |   |        |      |
|     |             |                         |     |   |   |        |      |
|     |             |                         |     |   |   |        |      |
|     |             |                         |     |   |   |        |      |
|     |             |                         |     |   |   |        |      |
|     |             |                         |     |   |   |        |      |
|     |             |                         |     |   |   |        |      |

# STARTER (12V-2.0Kw)

FIG. 66-02



# STARTER (12V-2.0Kw)

A-i28 / B-i36

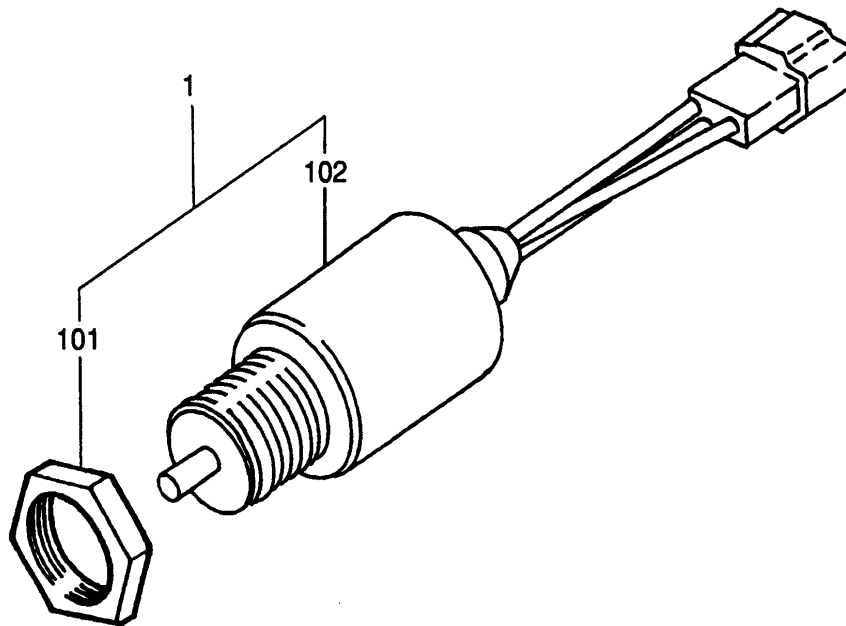
A-i28 / B-i36

**FIG. 66-02**

| NO. | PART NO.    | PART NAME & DESCRIPTION |                | QTY |   |   | APP.NO | REM. |
|-----|-------------|-------------------------|----------------|-----|---|---|--------|------|
|     |             |                         |                | A   | B | C |        |      |
| 1   | MM409413    | STARTER ASSY            | M002T56272 MEC | 1   | 1 |   |        |      |
| 01  | M414X-04871 | SCREW SET               | 30A66-00200    | 1   | 1 |   |        |      |
| 02  | M641X-65471 | BRACKET ASSY, FRONT     | MM502452       | 1   | 1 |   |        |      |
| 03  | M863C-06171 | LEVER ASSY              | MD607633       | 1   | 1 |   |        |      |
| 04  | M389X-11472 | SPRING SET              | MD607446       | 1   | 1 |   |        |      |
| 05  | M640B-27771 | BRACKET ASSY, CENTER    | MM502441       | 1   | 1 |   |        |      |
| 06  | M372X-00471 | SWITCH ASSY             | MD607634       | 1   | 1 |   |        |      |
| 07  | M901X-00371 | BOLT SET                | 30A66-00300    | 1   | 1 |   |        |      |
| 08  | M106X-29871 | ARMATURE SET            | MD607636       | 1   | 1 |   |        |      |
| 09  | S930P-16470 | BEARING, FRONT          | MD607643       | 1   | 1 |   |        |      |
| 10  | S930P-60470 | BEARING, REAR           | MD607638       | 1   | 1 |   |        |      |
| 11  | M357X-85371 | SHAFT ASSY, CLUTCH      | MM502438       | 1   | 1 |   |        |      |
| 12  | M605X-30671 | PINION SET              | MM502439       | 1   | 1 |   |        |      |
| 13  | M385X-03771 | STOPER SET              | ME700124       | 1   | 1 |   |        |      |
| 14  | M231X-01371 | GEAR SET                | MM502442       | 1   | 1 |   |        |      |
| 15  | M357T-73171 | SHAFT ASSY, PINION      | MD607642       | 1   | 1 |   |        |      |
| 16  | M231C-01301 | GEAR                    | MM502443       | 1   | 1 |   |        |      |
| 17  | M212X-11771 | COVER SET               | MM700125       | 1   | 1 |   |        |      |
| 18  | M800X-44972 | YOKE ASSY               | MM502453       | 1   | 1 |   |        |      |
| 19  | M649T-05071 | HOLDER ASSY, BRUSH      | ME700127       | 1   | 1 |   |        |      |
| 20  | M391C-02501 | SPRING, BRUSH           | ME700128       | 4   | 4 |   |        |      |
| 21  | M644B-21201 | BRACKET ASSY, REAR      | 30A66-00400    | 1   | 1 |   |        |      |
| 22  | M578D-22801 | PACKING                 | MM502444       | 1   | 1 |   |        |      |
| 23  | M648C-28271 | BRUSH                   | 30A66-00500    | 1   | 1 |   |        |      |
|     |             |                         |                |     |   |   |        |      |
|     |             |                         |                |     |   |   |        |      |
|     |             |                         |                |     |   |   |        |      |
|     |             |                         |                |     |   |   |        |      |

# CONTROL SYSTEM

FIG. 87



# CONTROL SYSTEM

A-i28 / B-i36

A-i28 / B-i36

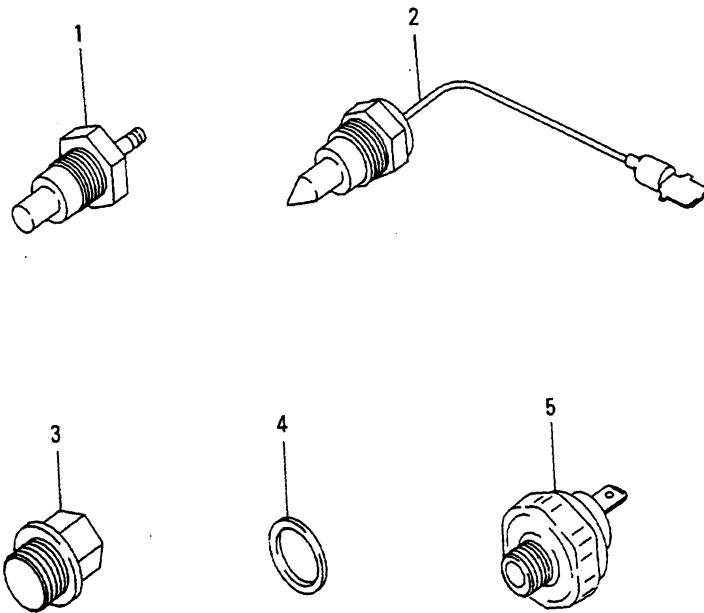
**FIG. 87**

| NO. | PART NO.    | PART NAME & DESCRIPTION | QTY |   |   | APP.NO | REM. |
|-----|-------------|-------------------------|-----|---|---|--------|------|
|     |             |                         | A   | B | C |        |      |
| 1   | 30A87-10040 | SOLENOID & NUT SET      | 1   | 1 |   |        |      |
| 01  | MM409671    | NUT                     | 1   | 1 |   |        |      |
| 02  | 30A87-20400 | SOLENOID ASSY           | 1   | 1 |   |        |      |
|     |             |                         |     |   |   |        |      |
|     |             |                         |     |   |   |        |      |
|     |             |                         |     |   |   |        |      |
|     |             |                         |     |   |   |        |      |
|     |             |                         |     |   |   |        |      |
|     |             |                         |     |   |   |        |      |
|     |             |                         |     |   |   |        |      |
|     |             |                         |     |   |   |        |      |
|     |             |                         |     |   |   |        |      |
|     |             |                         |     |   |   |        |      |
|     |             |                         |     |   |   |        |      |
|     |             |                         |     |   |   |        |      |
|     |             |                         |     |   |   |        |      |
|     |             |                         |     |   |   |        |      |



# INSTRUMENT

FIG. 90



# INSTRUMENT

A-i28 / B-i36

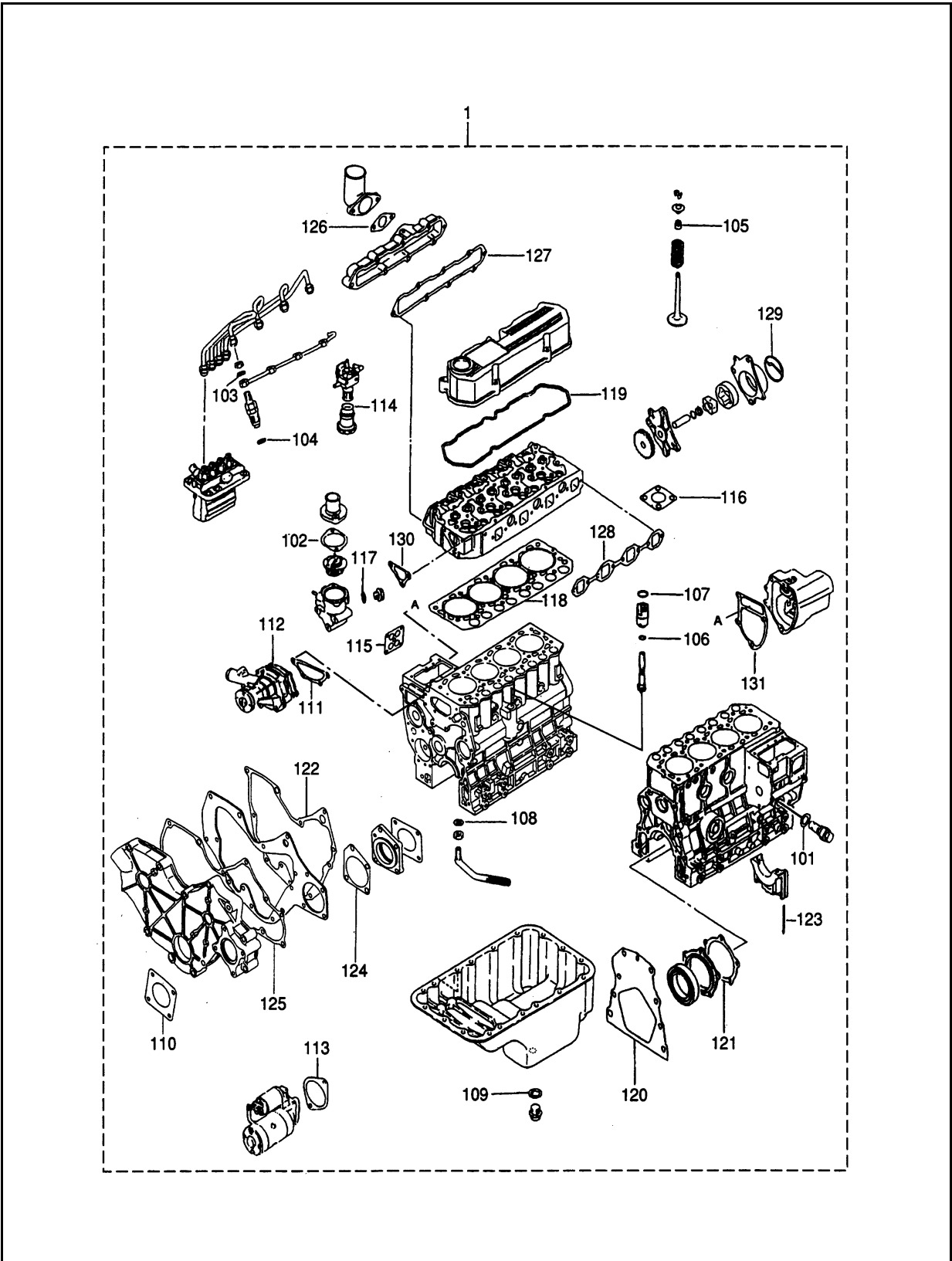
A-i28 / B-i36

**FIG. 90**

| NO. | PART NO.    | PART NAME & DESCRIPTION | QTY |   |   | APP.NO | REM. |
|-----|-------------|-------------------------|-----|---|---|--------|------|
|     |             |                         | A   | B | C |        |      |
| 1   | MM435-13302 | UNIT, WATER TEMP        | 1   | 1 |   |        |      |
| 2   | 30L46-02700 | THERMOSWITCH            | *   | * |   |        |      |
| 3   | MM316248    | PLUG, DRAIN             | 1   | 1 |   |        |      |
| 4   | 30636-25901 | GASKET                  | 1   | 1 |   |        |      |
| 5   | 31A90-00300 | SWITCH ASSY, OIL        | 1   | 1 |   |        |      |
|     |             |                         |     |   |   |        |      |
|     |             |                         |     |   |   |        |      |
|     |             |                         |     |   |   |        |      |
|     |             |                         |     |   |   |        |      |
|     |             |                         |     |   |   |        |      |
|     |             |                         |     |   |   |        |      |
|     |             |                         |     |   |   |        |      |
|     |             |                         |     |   |   |        |      |
|     |             |                         |     |   |   |        |      |
|     |             |                         |     |   |   |        |      |
|     |             |                         |     |   |   |        |      |

# OVERHAUL GASKET KIT

FIG. 94



# OVERHAUL GASKET KIT

A-i28 / B-i36

A-i28 / B-i36

**FIG. 94**

| NO. | PART NO.    | PART NAME & DESCRIPTION | QTY |   |   | APP.NO | REM. |
|-----|-------------|-------------------------|-----|---|---|--------|------|
|     |             |                         | A   | B | C |        |      |
| 1   | 31A94-30011 | GASKET KIT, (O/H)       | 1   | 1 |   |        |      |
| 01  | F4202-22000 | GASKET                  | 1   | 1 |   |        |      |
| 02  | MD000551    | GASKET                  | 1   | 1 |   |        |      |
| 03  | MD068355    | GASKET, FUEL RETURN     | 4   | 4 |   |        |      |
| 04  | MD070717    | GASKET, HOLDER          | 4   | 4 |   |        |      |
| 05  | MD115472    | SEAL, VALVE STEM        | 8   | 8 |   |        |      |
| 06  | MD701788    | O-RING                  | 1   | 1 |   |        |      |
| 07  | MF520012    | O-RING                  | 1   | 1 |   |        |      |
| 08  | MF660036    | GASKET                  | 1   | 1 |   |        |      |
| 09  | MF660065    | GASKET, OIL DRAIN       | 2   | 2 |   |        |      |
| 10  | MM401-20601 | GASKET, O/PUMP COVER    | 2   | 2 |   |        |      |
| 11  | MM407-42202 | GASKET, WATER PUMP      | 1   | 1 |   |        |      |
| 12  | MM409326    | GASKET, WATER PUMP      | 1   | 1 |   |        |      |
| 13  | MM409-41901 | GASKET, STARTER         | 1   | 1 |   |        |      |
| 14  | MM409869    | O-RING, FILTER CUP      | 1   | 1 |   |        |      |
| 15  | MM435249    | PROTECTOR, OIL INLET    | 1   | 1 |   |        |      |
| 16  | 30A30-00200 | GASKET, MUFFLER         | 1   | 1 |   |        |      |
| 17  | 30636-25901 | GASKET                  | 1   | 1 |   |        |      |
| 18  | 31A01-33300 | GASKET, CYLINDER HEAD   | 1   | 1 |   |        |      |
| 19  | 31A04-33202 | GASKET, ROCKER COVER    | 1   | 1 |   |        |      |
| 20  | 31A07-02401 | GASKET, REAR            | 1   | 1 |   |        |      |
| 21  | 31A07-11701 | GASKET, OIL SEAL        | 1   | 1 |   |        |      |
| 22  | 31A07-11901 | GASKET, FRONT PLATE     | 1   | 1 |   |        |      |
| 23  | 31A07-12200 | SEAL, SIDE              | 4   | 4 |   |        |      |
| 24  | 31A11-05201 | GASKET, HOUSING         | 1   | 1 |   |        |      |
| 25  | 31A11-11101 | GASKET, GEAR            | 1   | 1 |   |        |      |
| 26  | 31A30-00801 | GASKET, INLET PIPE      | 1   | 1 |   |        |      |
| 27  | 31A30-10902 | GASKET, INLET COVER     | 1   | 1 |   |        |      |
| 28  | 31A32-01200 | GASKET, EXHAUST         | 1   | 1 |   |        |      |
| 29  | 31A35-02300 | PACKING, BODY           | 1   | 1 |   |        |      |
| 30  | 31A46-10101 | GASKET, THERMO CASE     | 1   | 1 |   |        |      |
| 31  | 31A63-12201 | GASKET, GOVERNOR CASE   | 1   | 1 |   |        |      |
| 32  | 32A91-05100 | GASKET, LIQUID          | 1   | 1 |   |        |      |
|     |             |                         |     |   |   |        |      |
|     |             |                         |     |   |   |        |      |