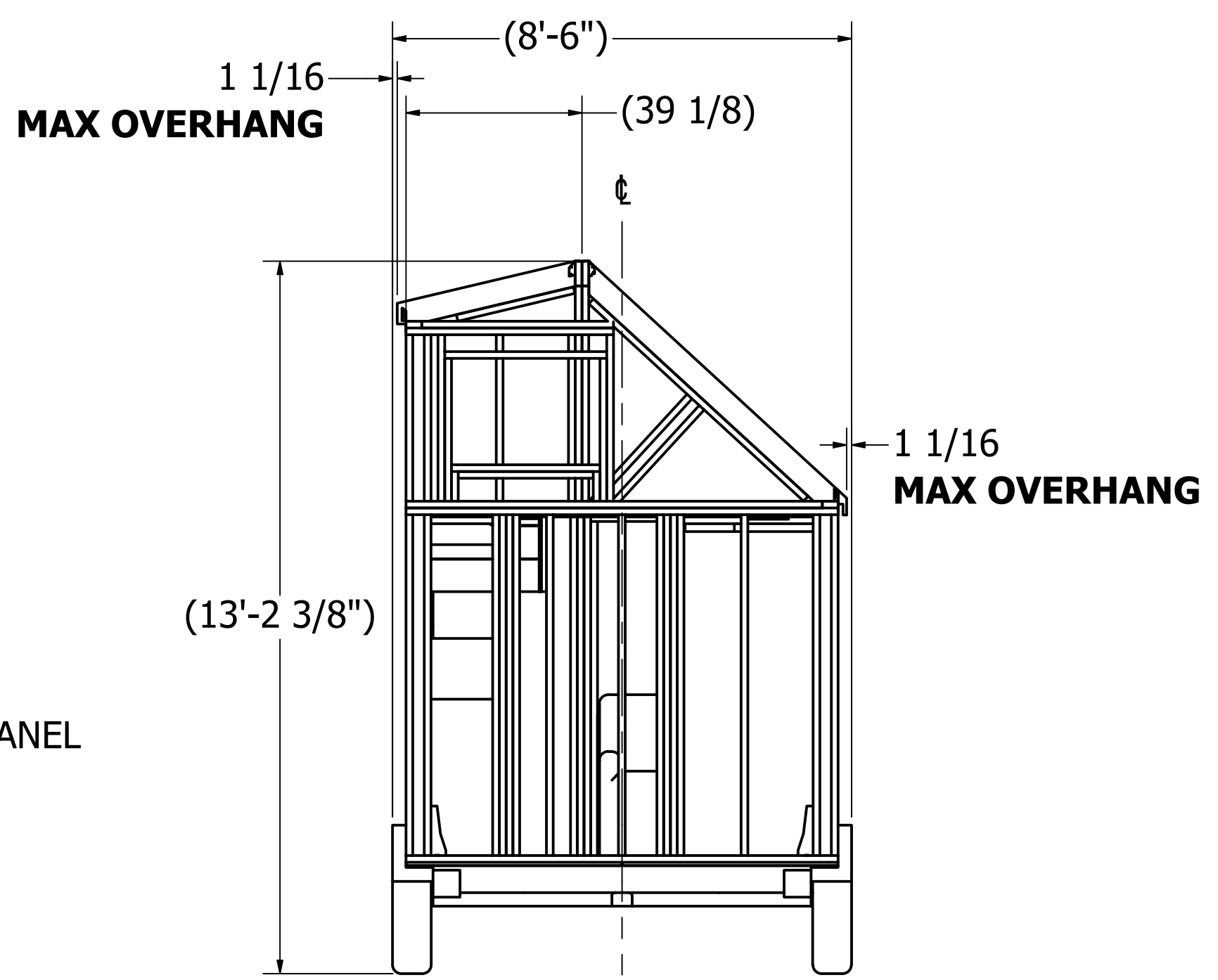
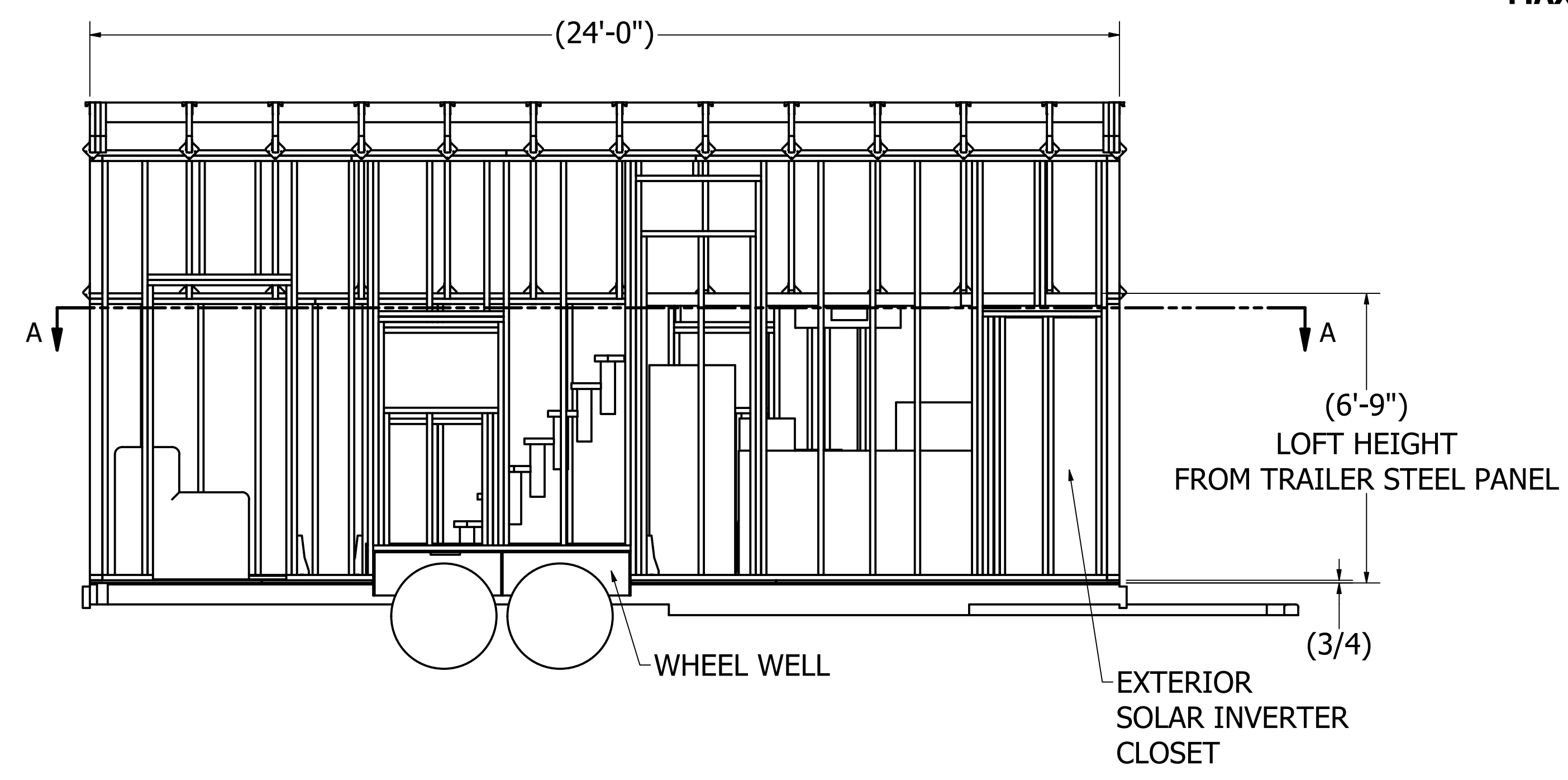
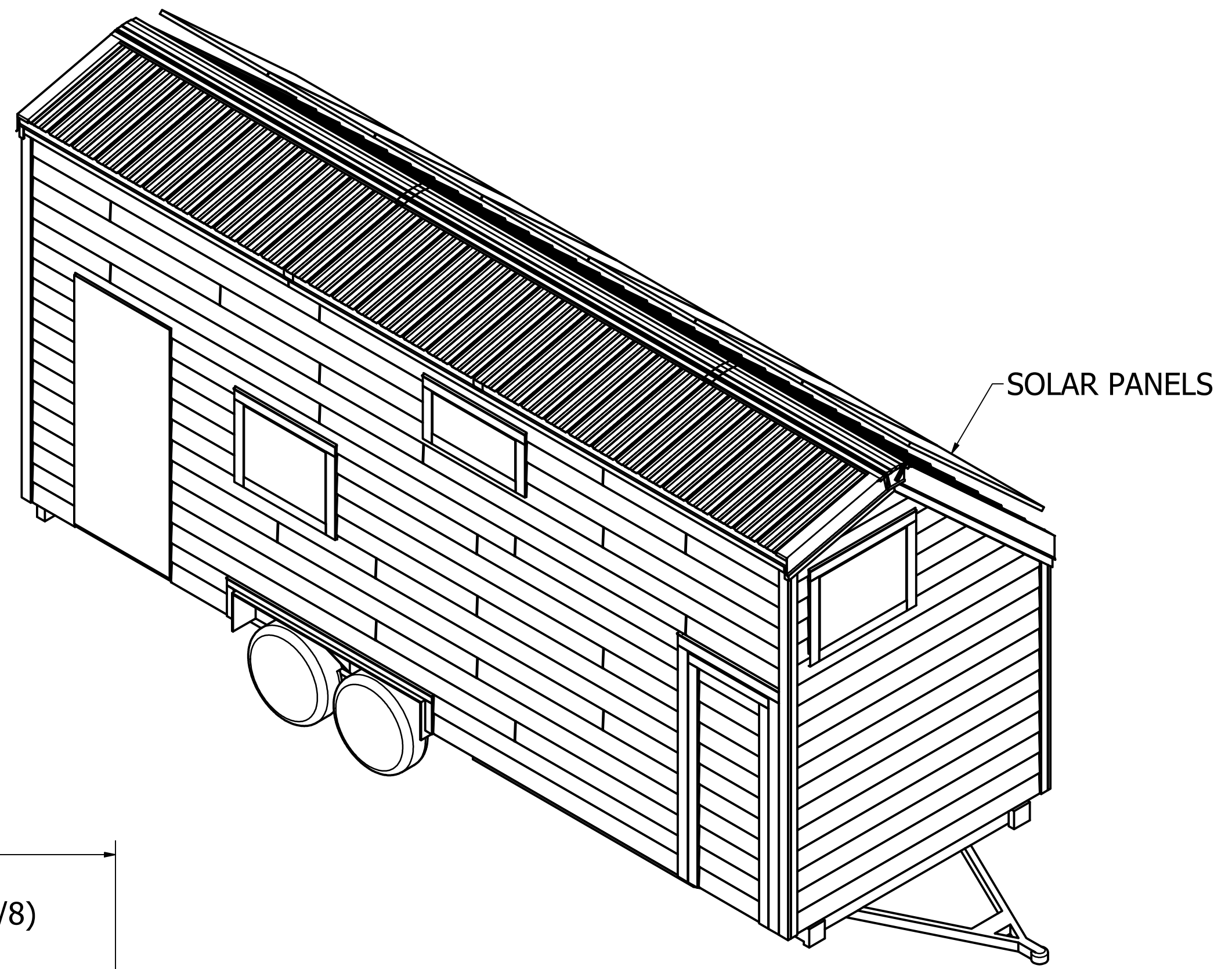
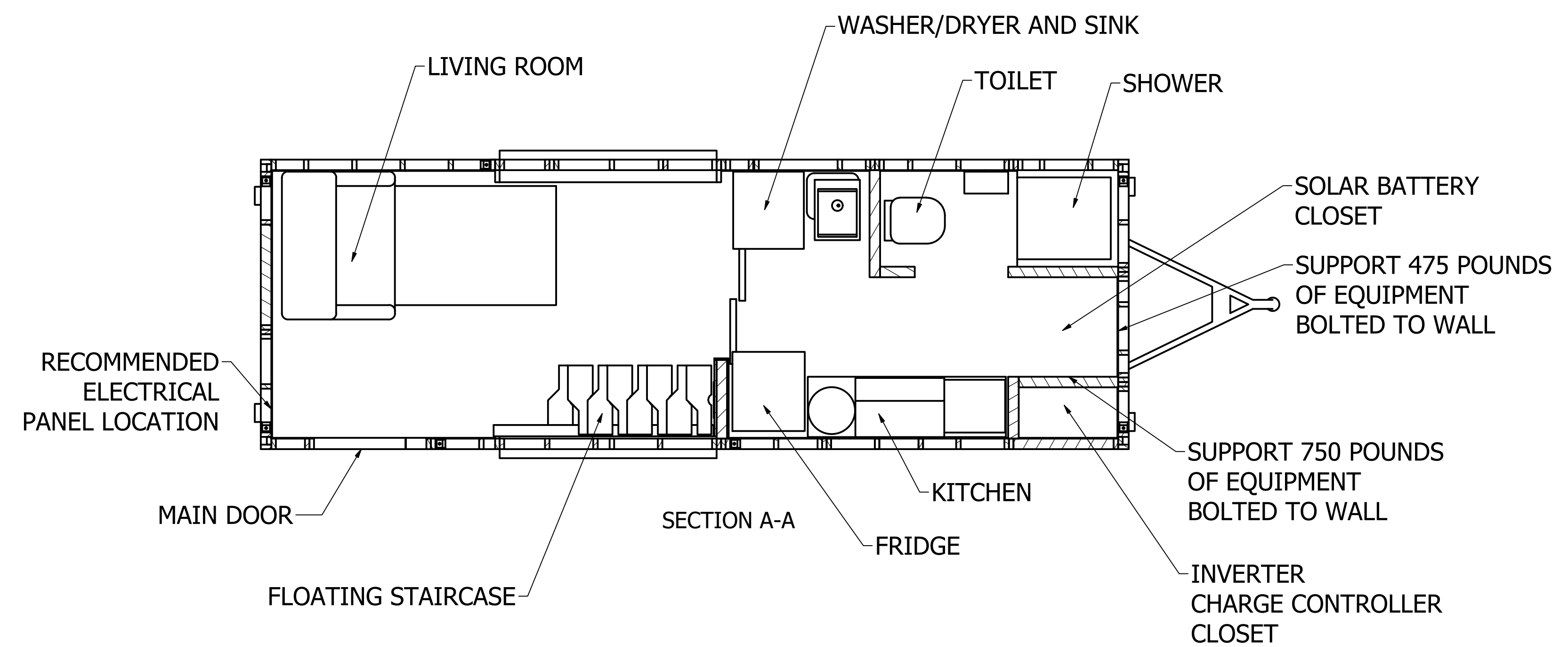


SOLARCYCLE TINY HOME

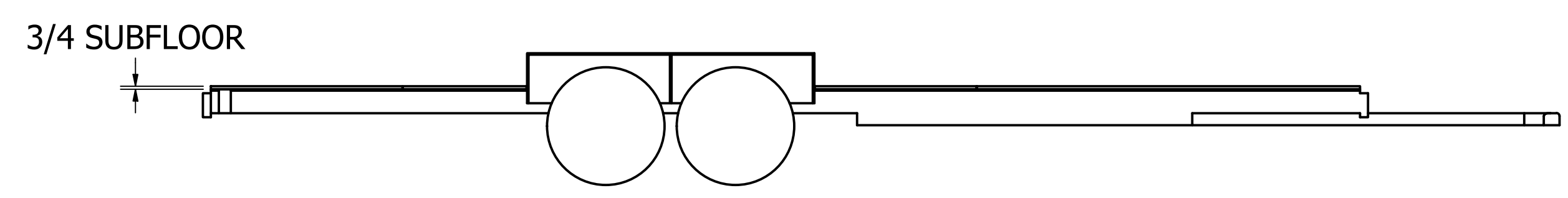
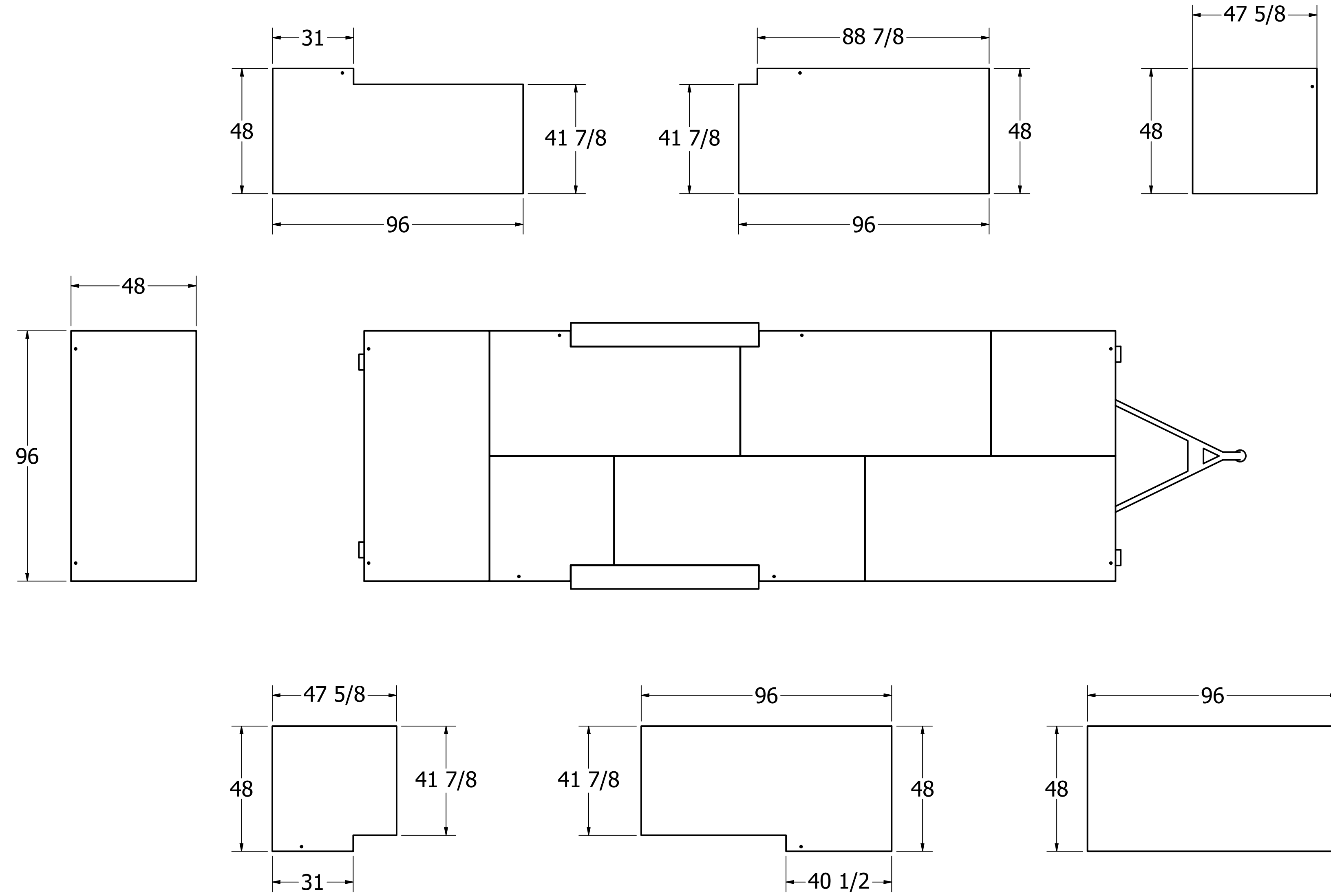
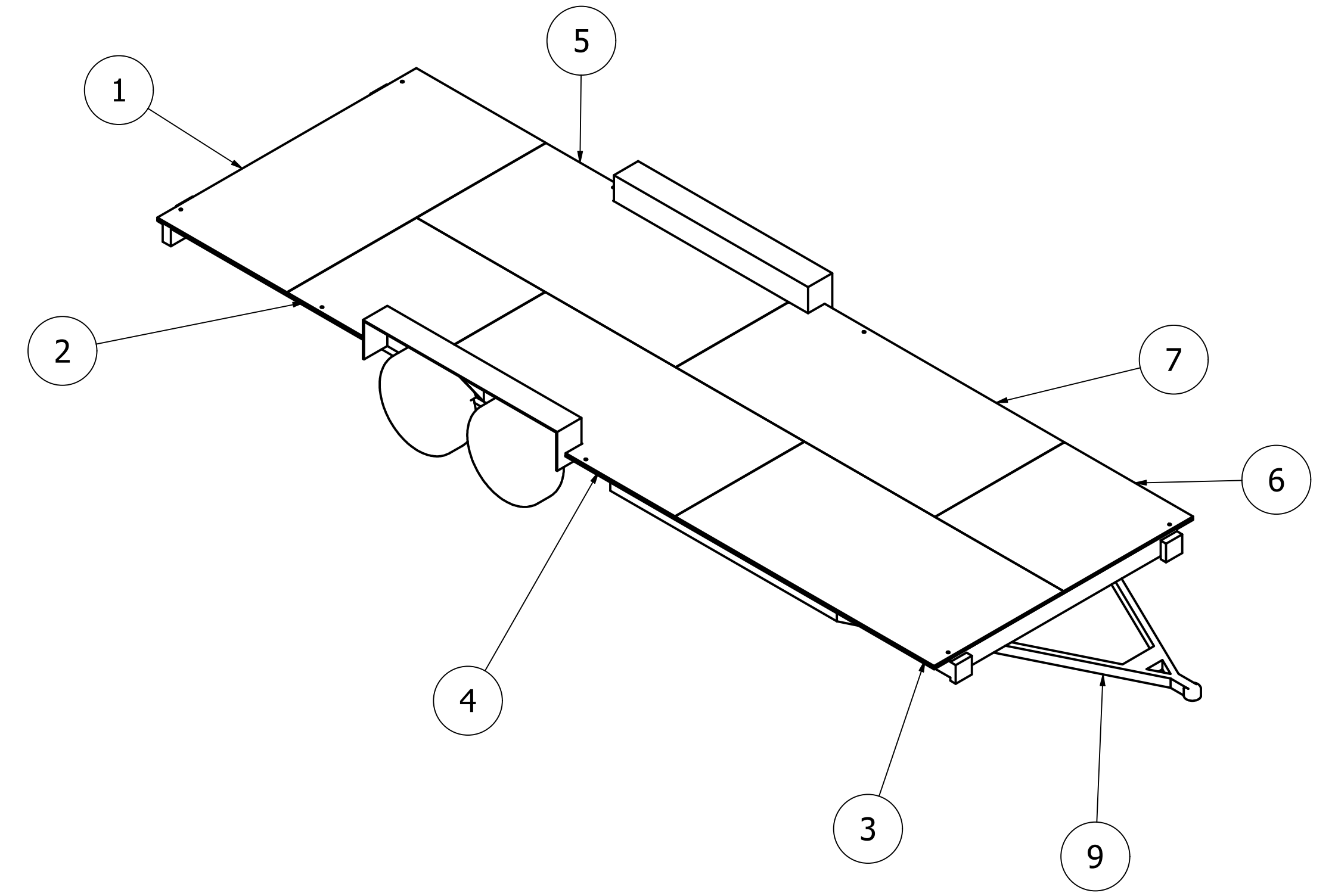
| REVISION HISTORY | | | |
|-----------------------|-----|---------------------------------------|------------|
| ZONE | REV | DESCRIPTION | DATE |
| SH1, SHT3-5, SHT12 | B | ADD REQUIRED STUD DIMS | 9/29/2022 |
| SHT1 B4, SHT4 A4 B4 | C | ADD RAFTER AND STUD DIM | 10/19/2022 |
| SHT5 D7-B4 | D | ADD/REARRANGE LOFT DIMENSIONS | 10/19/2022 |
| SHT1,3,4,5,8,12 | E | UPDATED ORGINS/REFERENCE DIMENSIONS | 11/7/2022 |
| SHT 3,4,5,7,8,9,11,12 | F | ENLARGED INVERTER/BATTERY CLOSET SIZE | 1/12/2023 |



PROPRIETARY AND CONFIDENTIAL
 THE INFORMATION CONTAINED IN THIS DRAWING IS THE SOLE PROPERTY OF SOLARCYCLE LLC. ANY REPRODUCTION IN PART OR AS A WHOLE WITHOUT THE WRITTEN PERMISSION OF SOLARCYCLE LLC IS PROHIBITED.

| | | | |
|---|--|-----------|---|
| UNLESS OTHERWISE SPECIFIED DIMENSIONS ARE IN INCHES TOLERANCES: FRACTIONAL PART: ± 1/16 FRACTIONAL ASSY: ± 1/8 ANGLE: ± 1° | DRAWN ISAAC CHECKED QA MFG | 9/11/2022 | TITLE |
| MATERIAL | APPROVED | | SOLARCYCLE ONE TINY HOME |
| FINISH | COMMENTS: | | SIZE D |
| DO NOT SCALE DRAWING | | | DWG NO SOLARCYCLE TH STEEL REV F |
| | | | SCALE SHEET 1 OF 13 |

SUBFLOOR



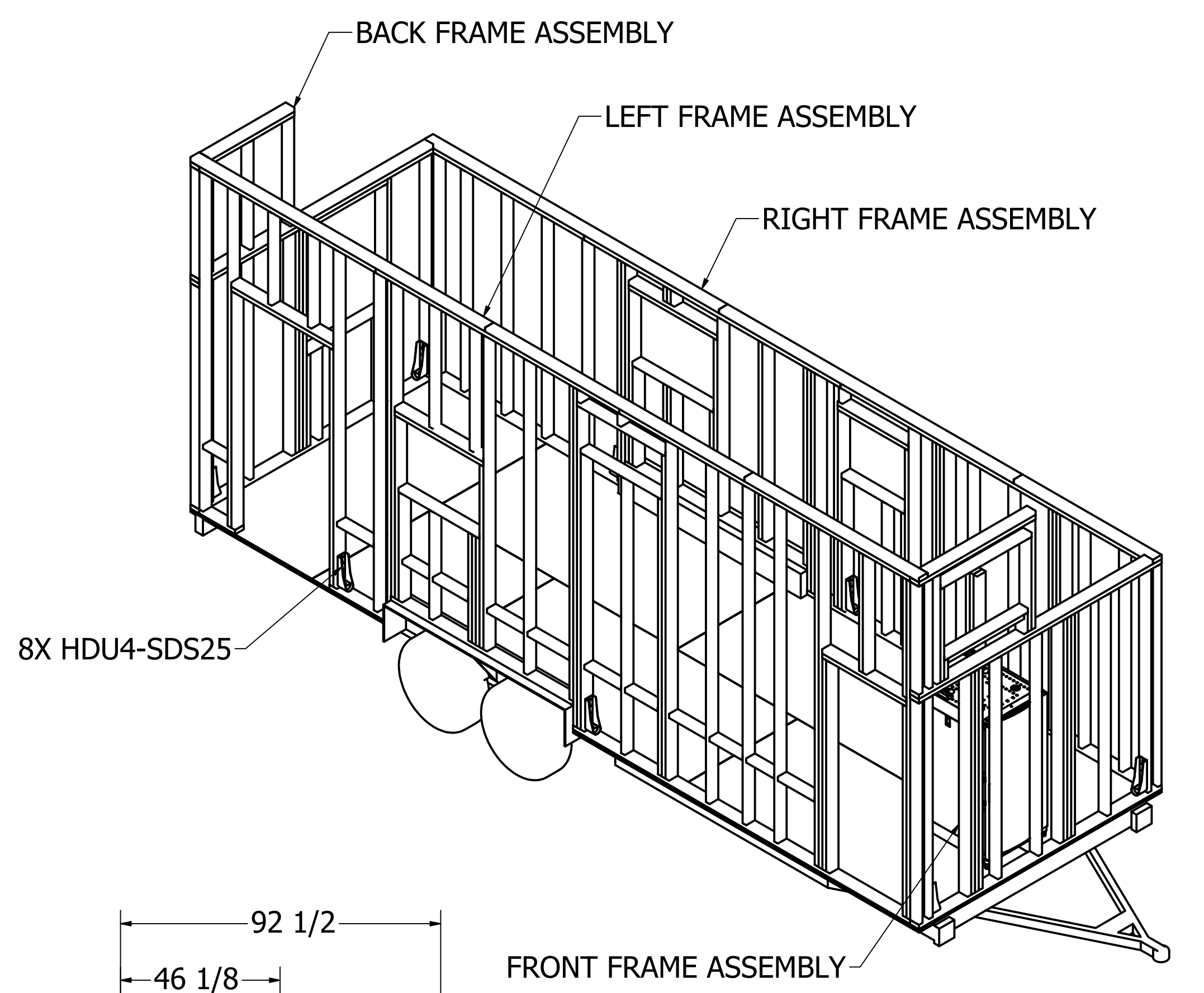
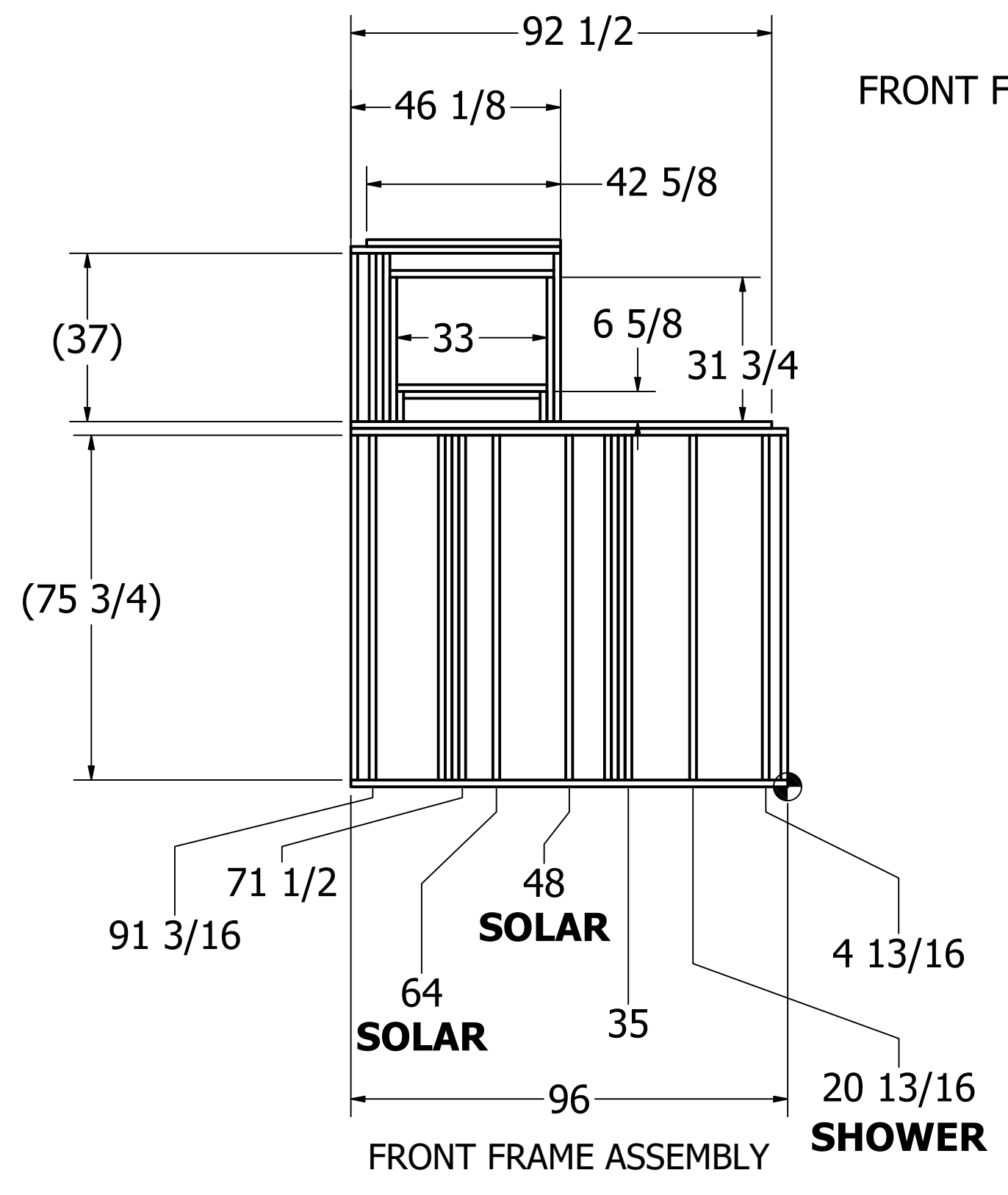
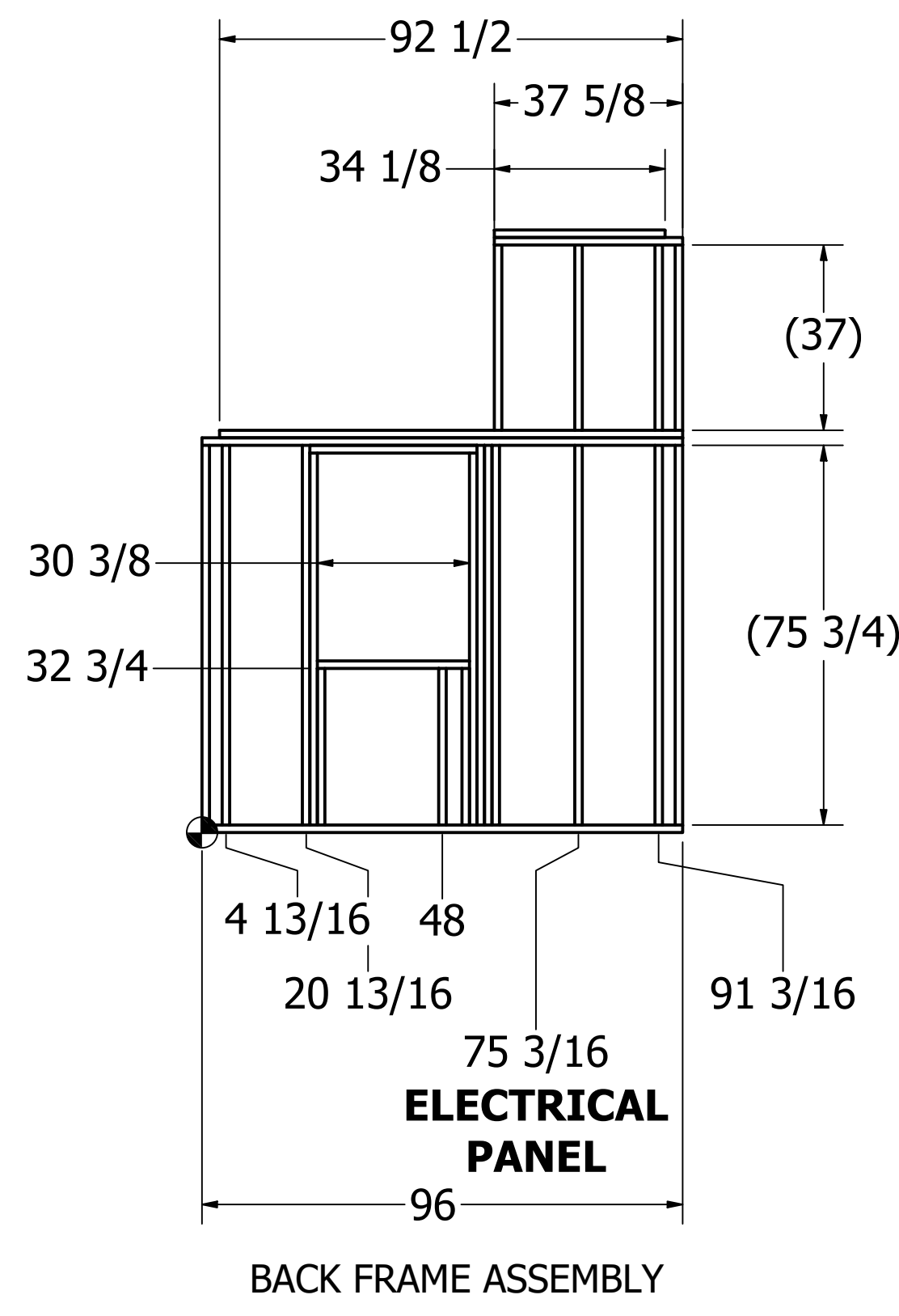
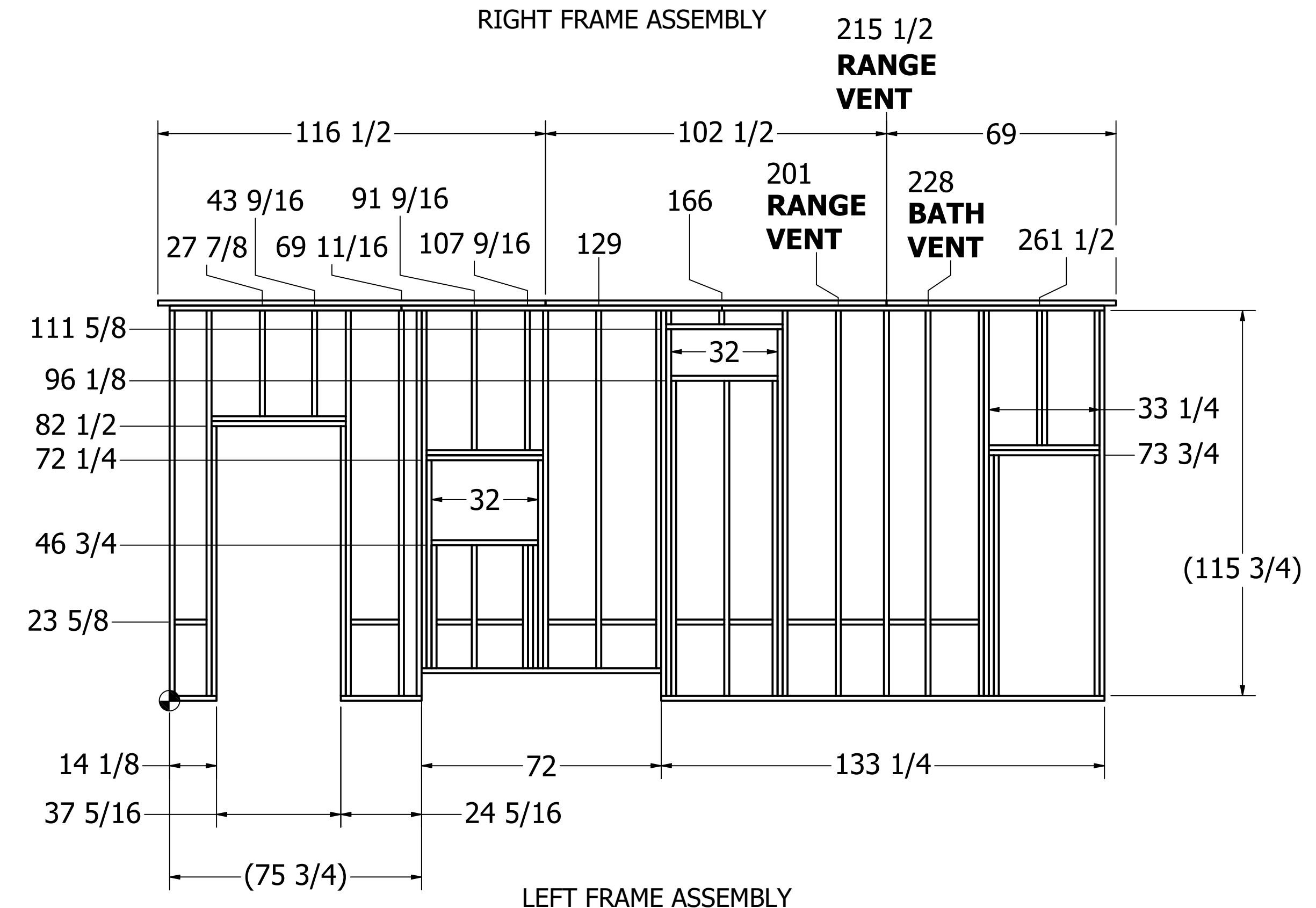
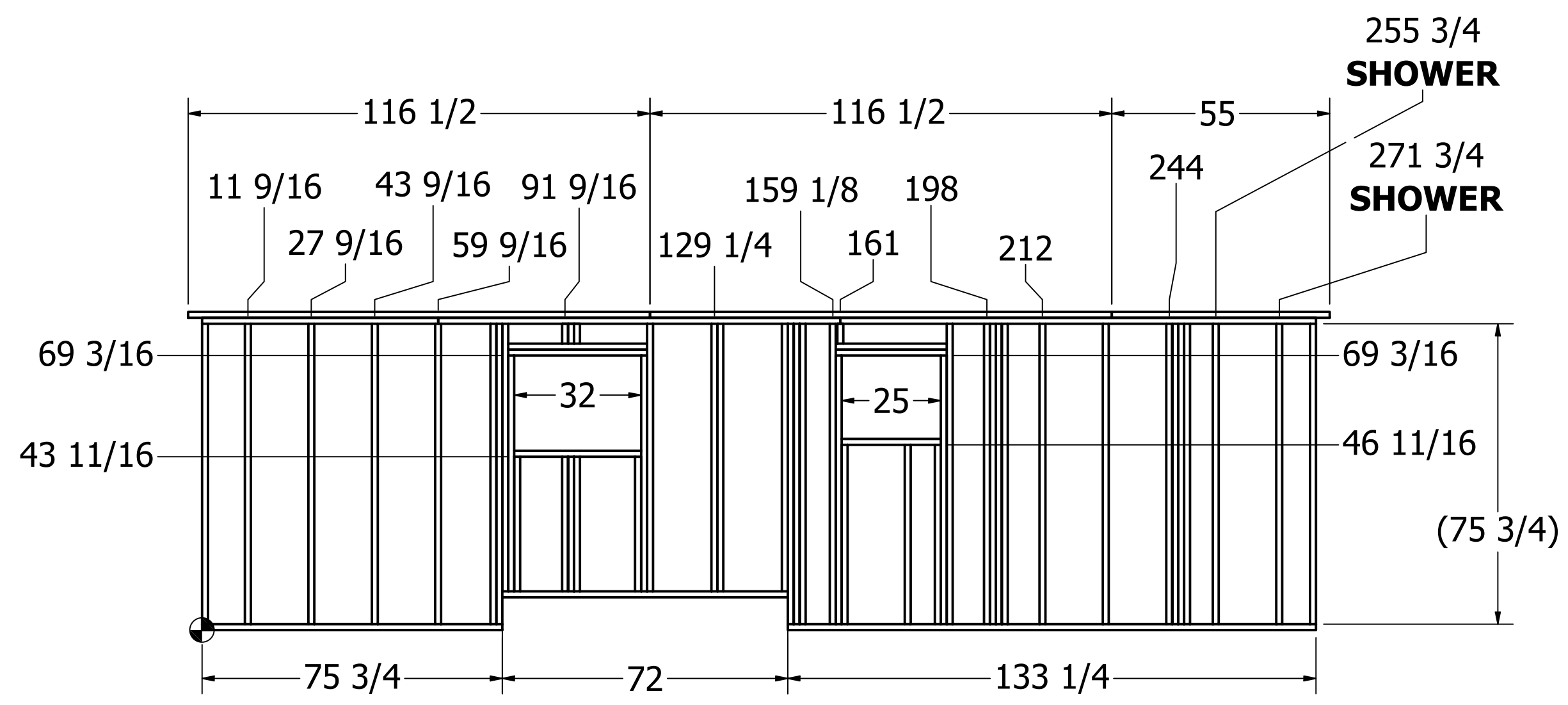
| PARTS LIST | | |
|------------|-----|----------------------|
| ITEM | QTY | PART NUMBER |
| 1 | 1 | 3_4_SUBFLOOR_B 24FT |
| 2 | 1 | 3_4_SUBFLOOR_LB 24FT |
| 3 | 1 | 3_4_SUBFLOOR_LF 24FT |
| 4 | 1 | 3_4_SUBFLOOR_LM 24FT |
| 5 | 1 | 3_4_SUBFLOOR_RB 24FT |
| 6 | 1 | 3_4_SUBFLOOR_RF 24FT |
| 7 | 1 | 3_4_SUBFLOOR_RM 24FT |
| 9 | 1 | TM-TH-24-F9 |

PROPRIETARY AND CONFIDENTIAL
 THE INFORMATION CONTAINED IN THIS DRAWING IS THE SOLE PROPERTY OF SOLARCYCLE LLC. ANY REPRODUCTION IN PART OR AS A WHOLE WITHOUT THE WRITTEN PERMISSION OF SOLARCYCLE LLC IS PROHIBITED.

| | | | |
|----------------------------|-----------|-------|-----------|
| UNLESS OTHERWISE SPECIFIED | DRAWN | ISAAC | 9/11/2022 |
| DIMENSIONS ARE IN INCHES | CHECKED | | |
| TOLERANCES: | QA | | |
| FRACTIONAL PART: ± 1/16 | MFG | | |
| FRACTIONAL ASSY: ± 1/8 | APPROVED | | |
| ANGLE: ± 1° | COMMENTS: | | |
| MATERIAL | | | |
| FINISH | | | |
| DO NOT SCALE DRAWING | | | |

| | | |
|--------------------------|---------------------|-----|
| TITLE | | |
| SOLARCYCLE ONE TINY HOME | | |
| SIZE | DWG NO | REV |
| D | SOLARCYCLE TH STEEL | F |
| SCALE | SHEET 2 OF 13 | |

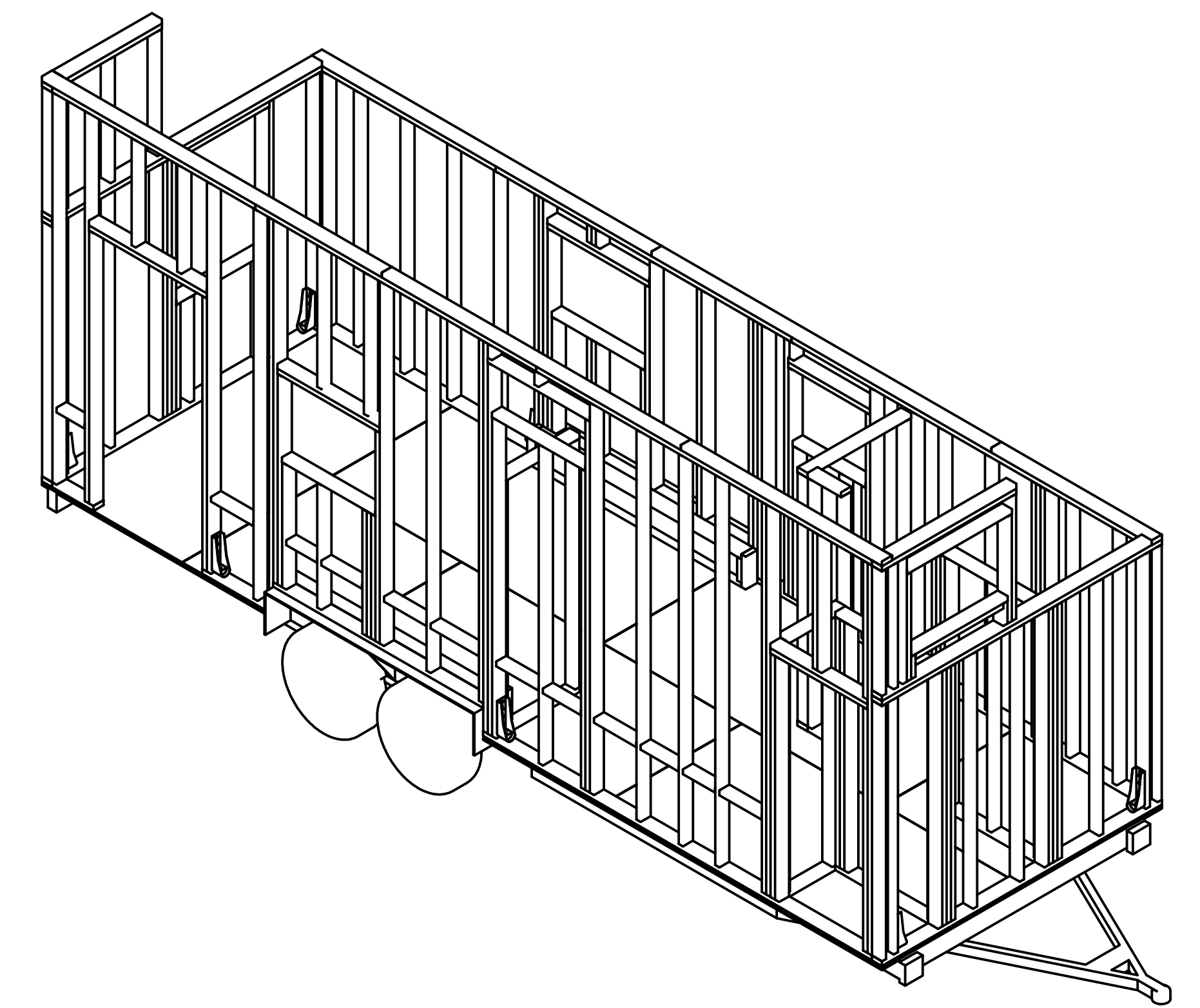
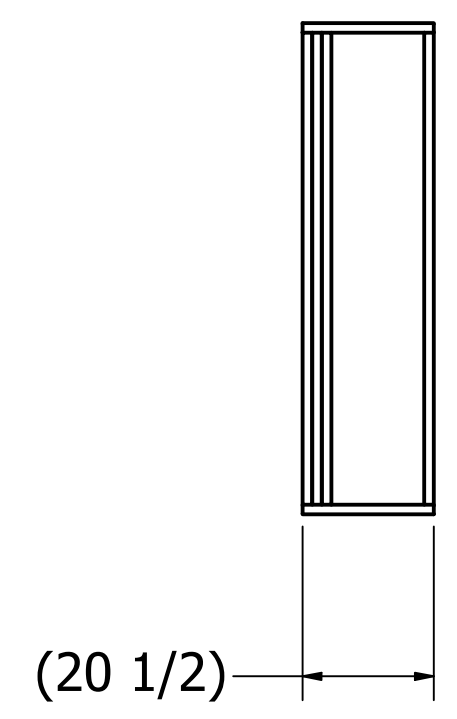
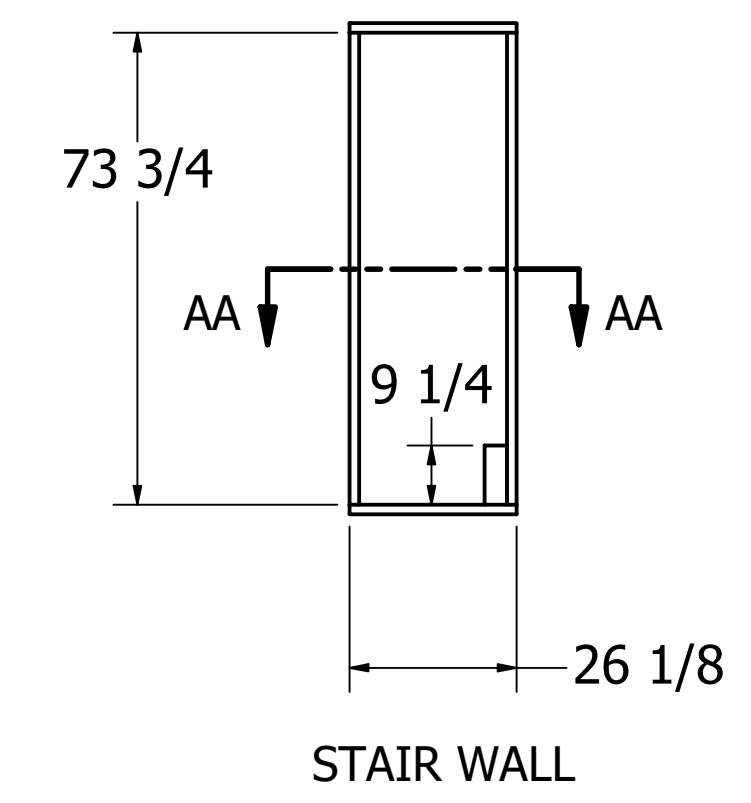
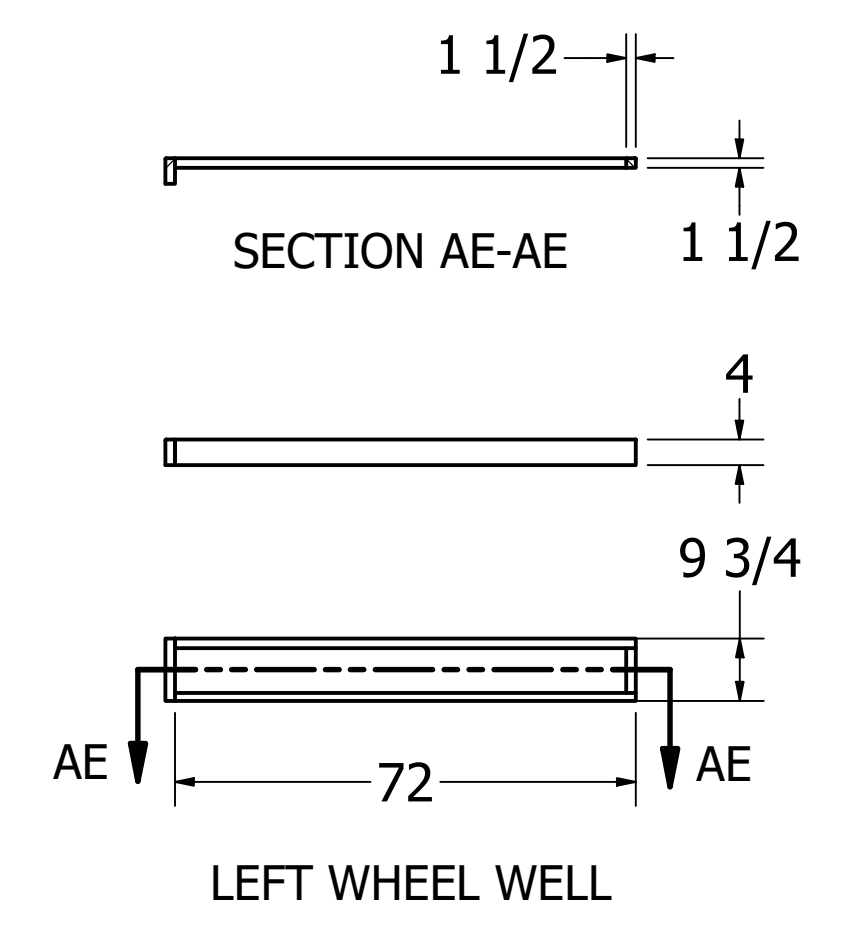
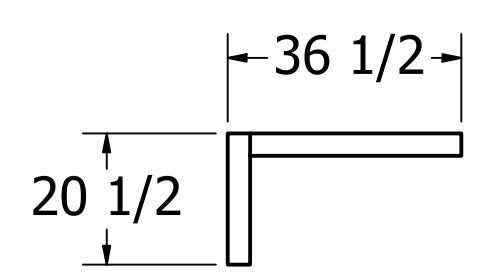
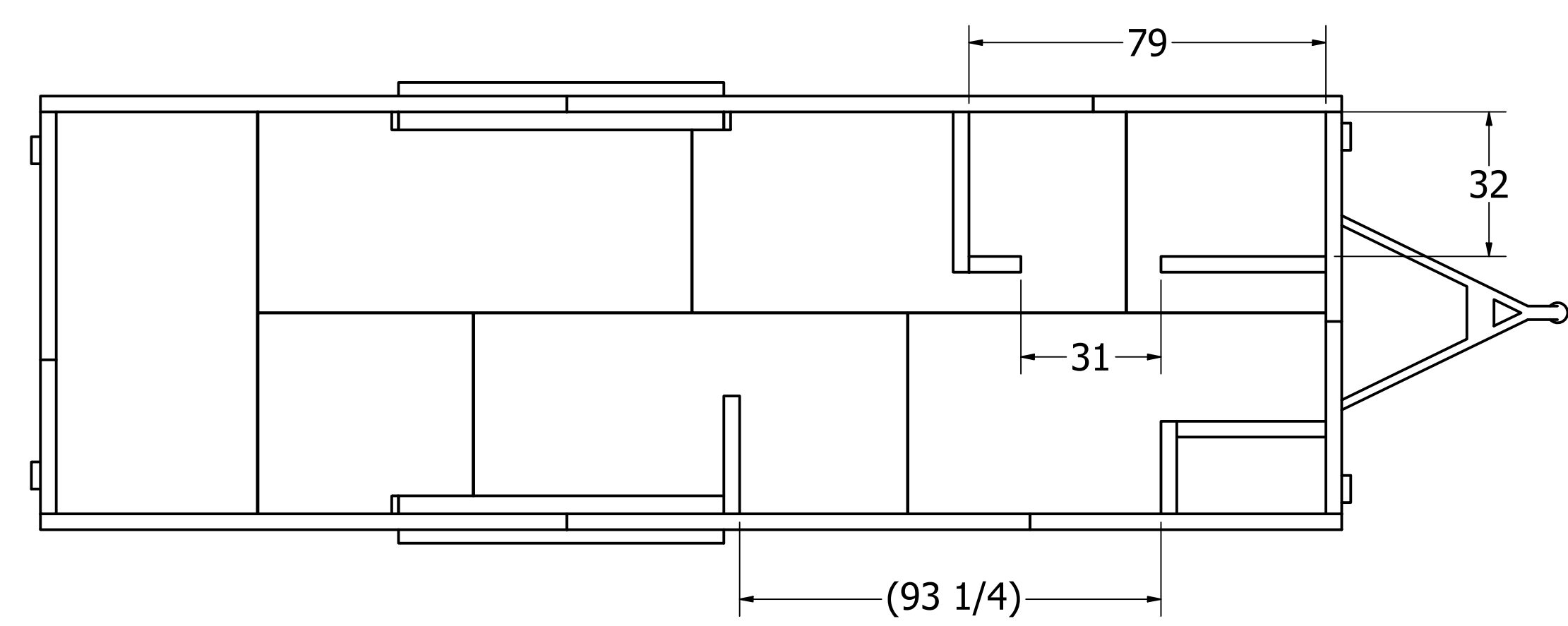
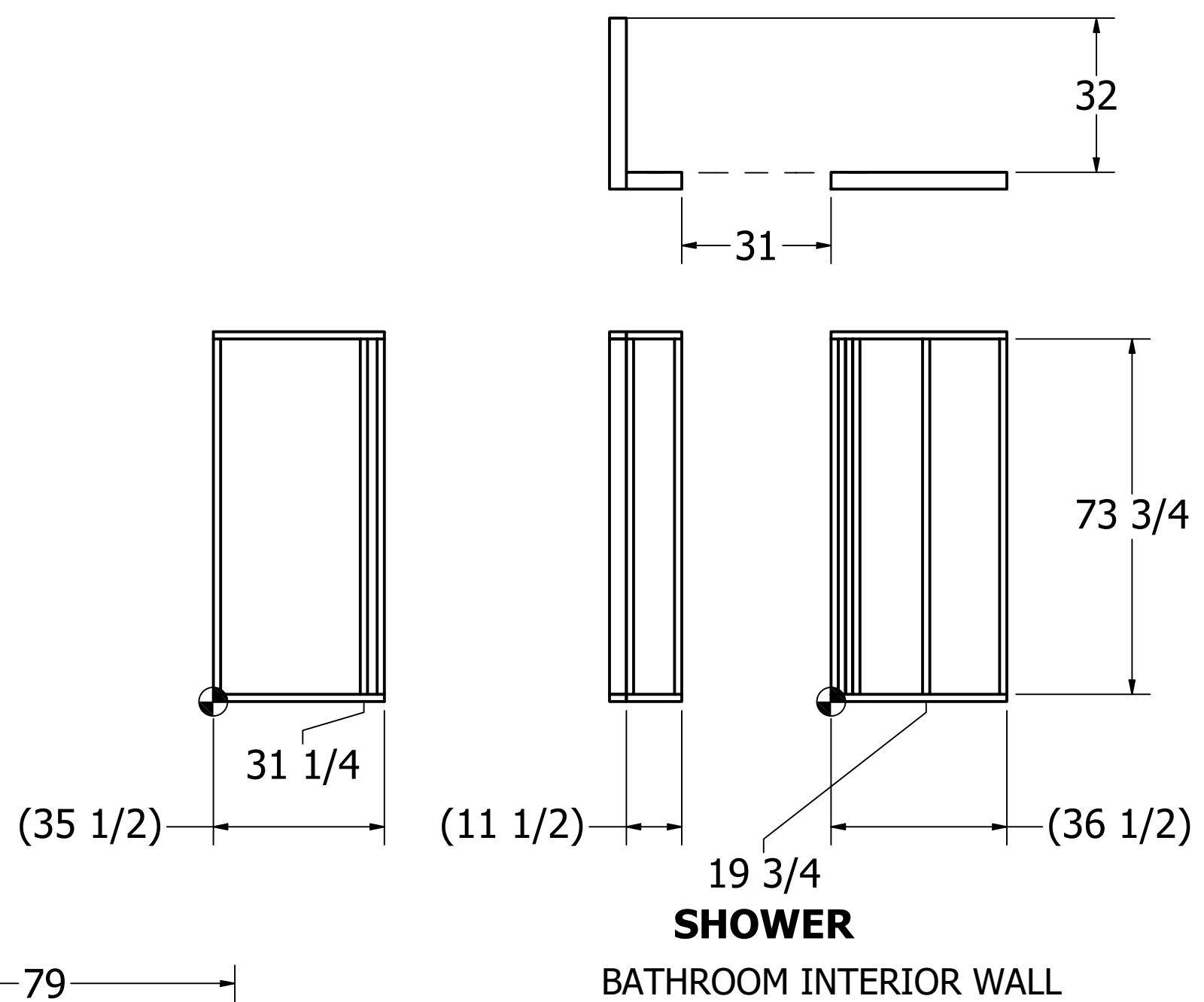
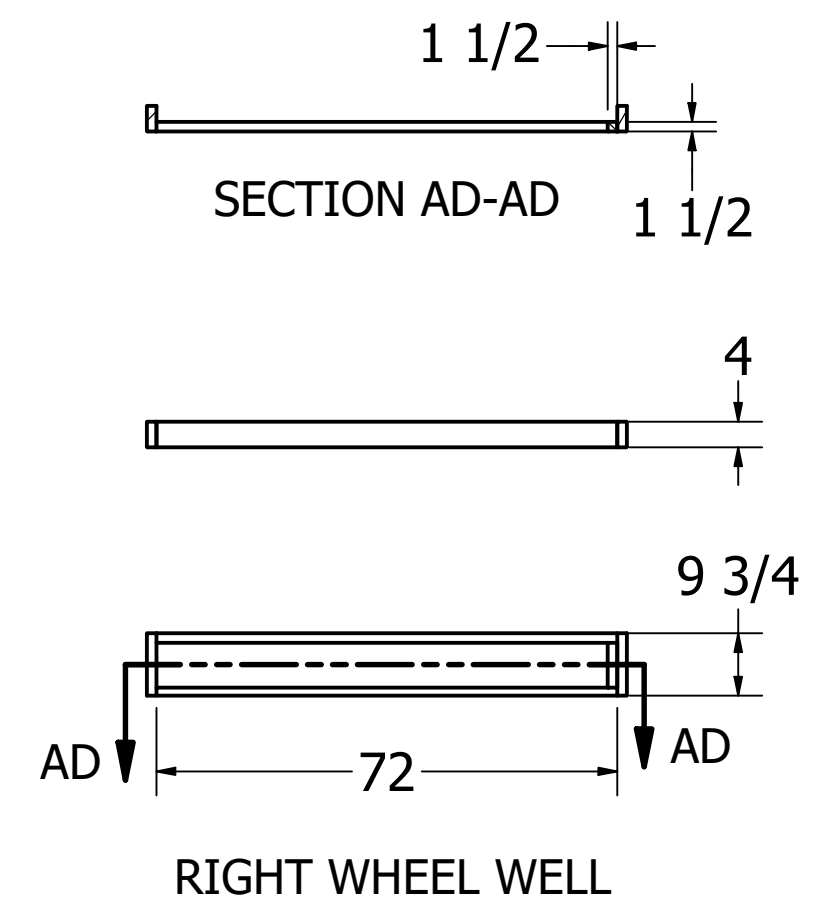
2X4 FRAME ASSEMBLIES



PROPRIETARY AND CONFIDENTIAL
THE INFORMATION CONTAINED IN THIS DRAWING IS THE SOLE PROPERTY OF SOLARCYCLE LLC. ANY REPRODUCTION IN PART OR AS A WHOLE WITHOUT THE WRITTEN PERMISSION OF SOLARCYCLE LLC IS PROHIBITED.

| | | | | | |
|----------------------------|-----------|-------|-----------|--------------------------|---------------------|
| UNLESS OTHERWISE SPECIFIED | DRAWN | ISAAC | 9/11/2022 | TITLE | |
| DIMENSIONS ARE IN INCHES | CHECKED | | | SOLARCYCLE ONE TINY HOME | |
| TOLERANCES: | QA | | | SIZE | DWG NO |
| FRACTIONAL PART: ± 1/16 | MFG | | | D | SOLARCYCLE TH STEEL |
| FRACTIONAL ASSY: ± 1/8 | APPROVED | | | SCALE | REV |
| ANGLE: ± 1° | COMMENTS: | | | | F |
| MATERIAL | | | | | |
| FINISH | | | | | |
| DO NOT SCALE DRAWING | | | | | |

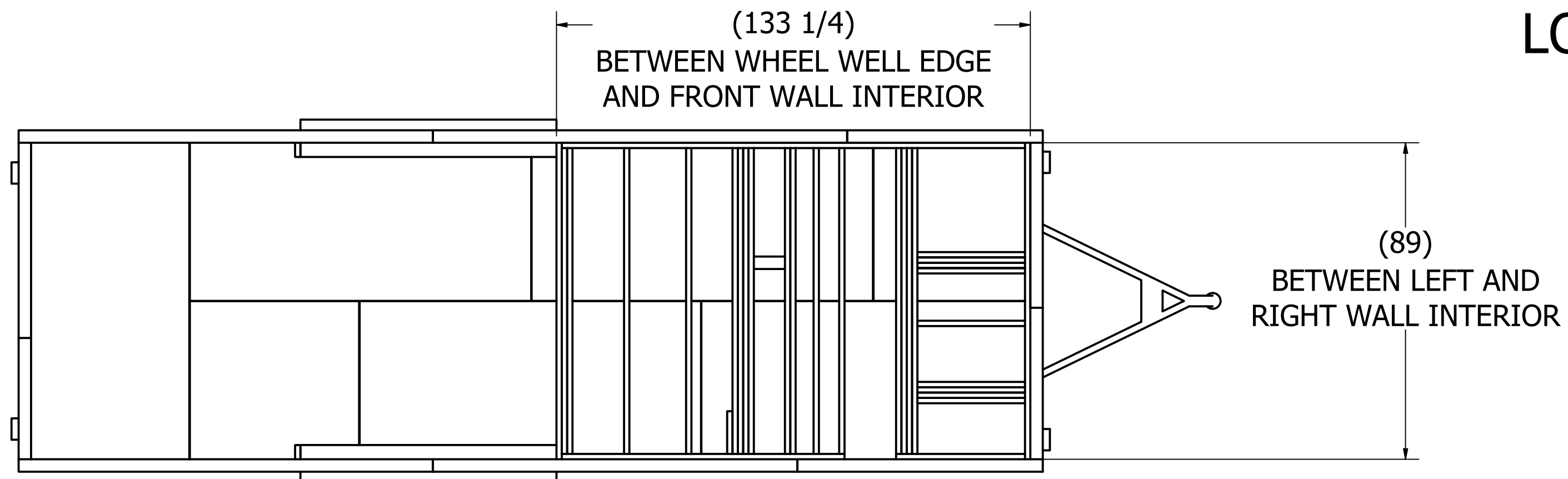
2X4 INTERIOR WALLS AND WHEEL WELL BOX



PROPRIETARY AND CONFIDENTIAL
THE INFORMATION CONTAINED IN THIS DRAWING IS THE SOLE PROPERTY OF SOLARCYCLE LLC. ANY REPRODUCTION IN PART OR AS A WHOLE WITHOUT THE WRITTEN PERMISSION OF SOLARCYCLE LLC IS PROHIBITED.

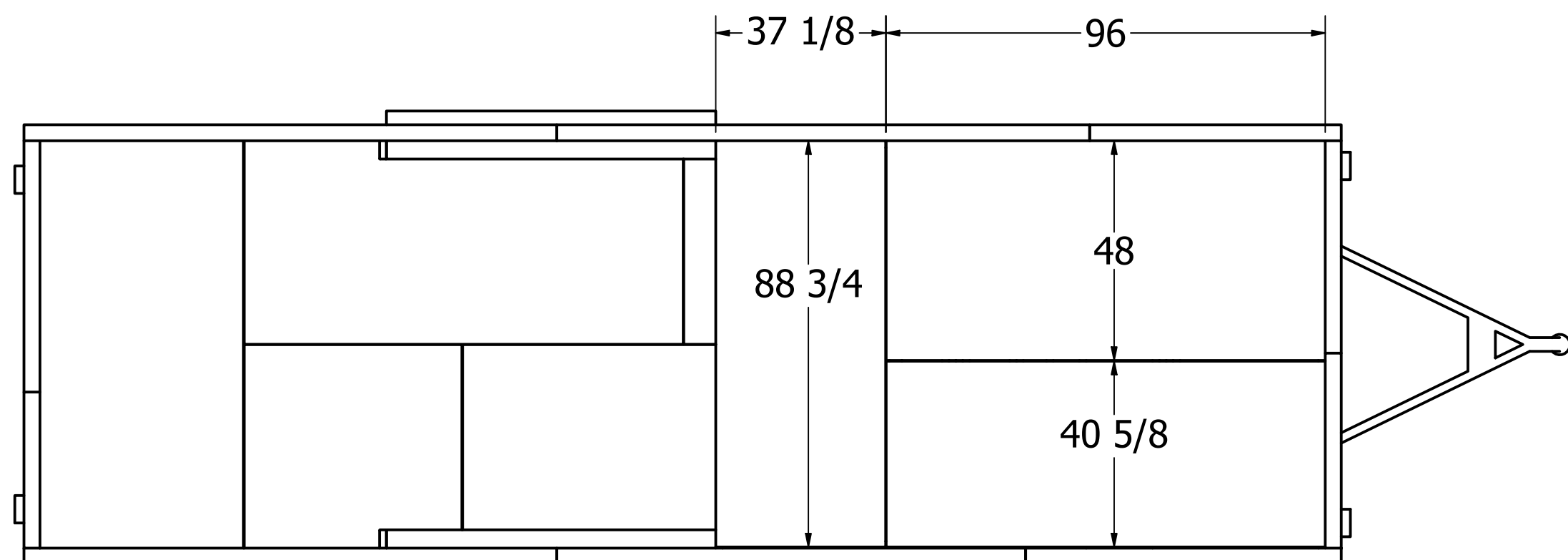
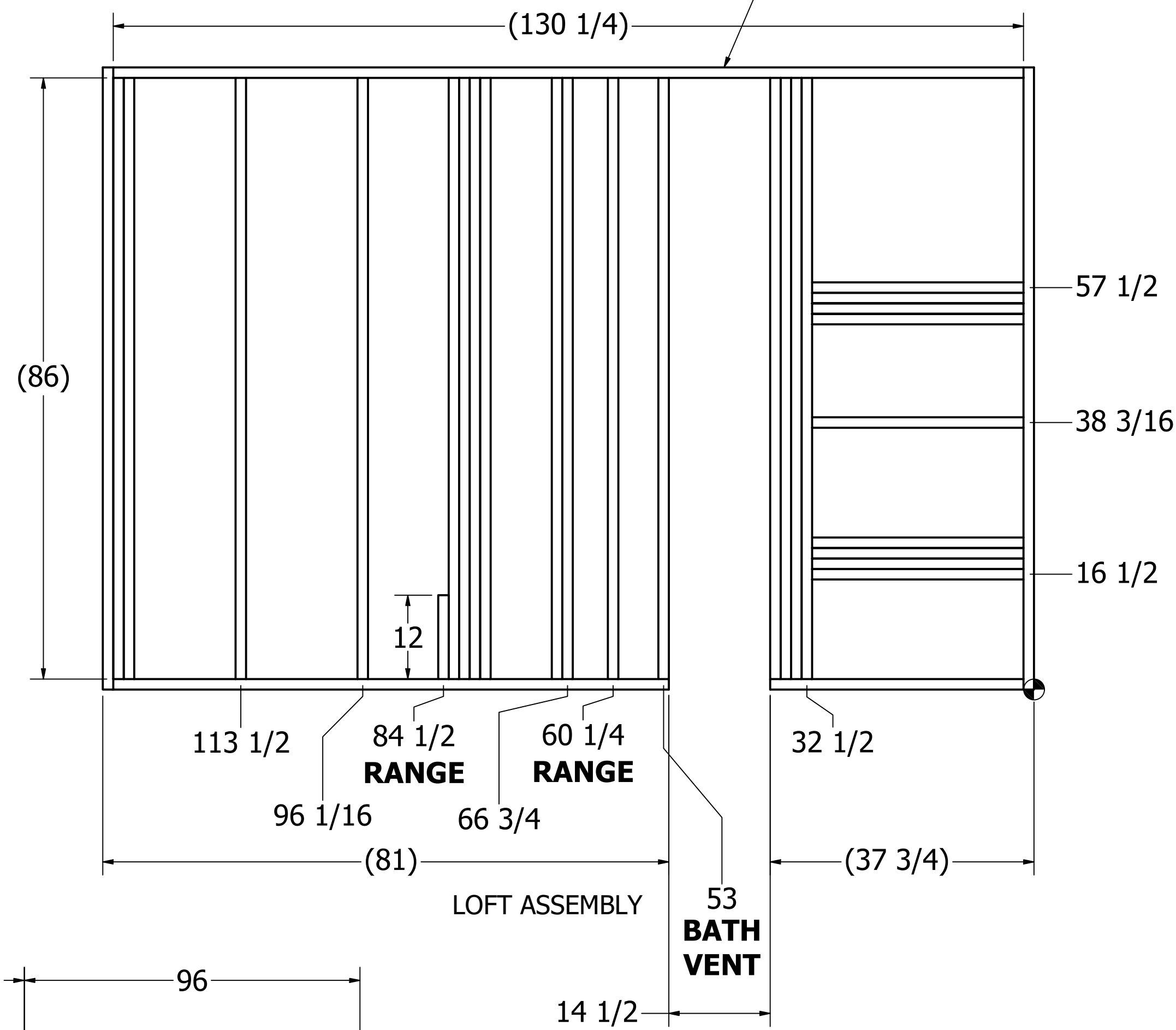
| | | | | |
|----------------------------|----------------|-----------|--------------------------|---------------------|
| UNLESS OTHERWISE SPECIFIED | DRAWN ISAAC | 9/11/2022 | TITLE | |
| DIMENSIONS ARE IN INCHES | CHECKED | | SOLARCYCLE ONE TINY HOME | |
| TOLERANCES: | QA | | SIZE | DWG NO |
| FRACTIONAL PART: ± 1/16 | MFG | | D | SOLARCYCLE TH STEEL |
| FRACTIONAL ASSY: ± 1/8 | APPROVED | | SCALE | REV |
| ANGLE: ± 1° | COMMENTS: | | | F |
| MATERIAL | | | | |
| FINISH | | | | |
| DO NOT SCALE DRAWING | | | | |

LOFT DETAIL

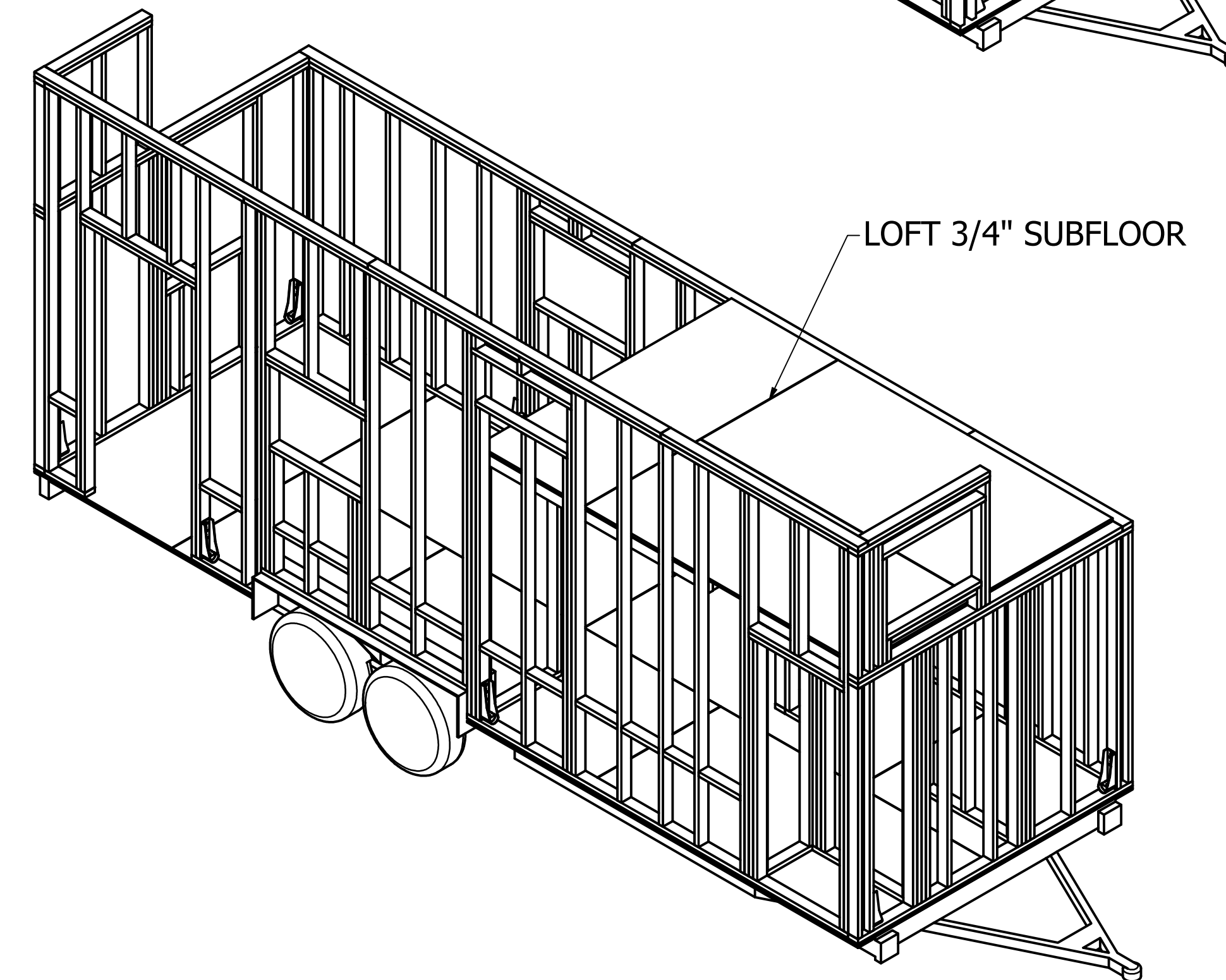
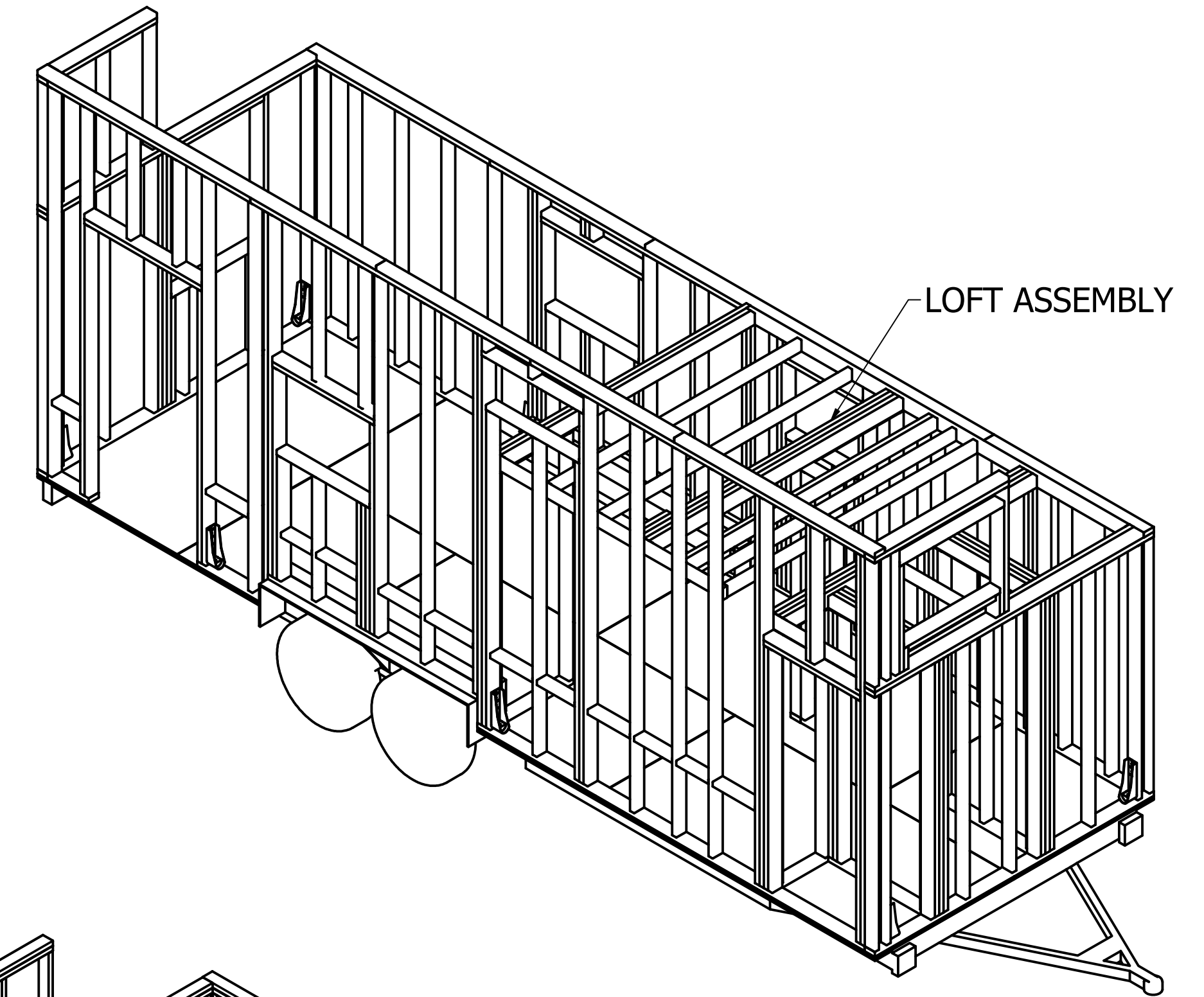


TOP LOFT FRAME

POSSIBLE TO SPLIT IN TO TWO SECTIONS



TOP LOFT FRAME WITH LOFT SUBFLOOR



| | | | |
|---|----------------|-----------|--------------------------|
| UNLESS OTHERWISE SPECIFIED DIMENSIONS ARE IN INCHES TOLERANCES: FRACTIONAL PART: ± 1/16 FRACTIONAL ASSY: ± 1/8 ANGLE: ± 1° | DRAWN ISAAC | 9/11/2022 | TITLE |
| | CHECKED | | SOLARCYCLE ONE TINY HOME |
| | QA | | SIZE |
| | MFG | | D |
| | APPROVED | | DWG NO |
| | COMMENTS: | | SOLARCYCLE TH STEEL |
| | | | SCALE |
| | | | REV |
| | | | F |

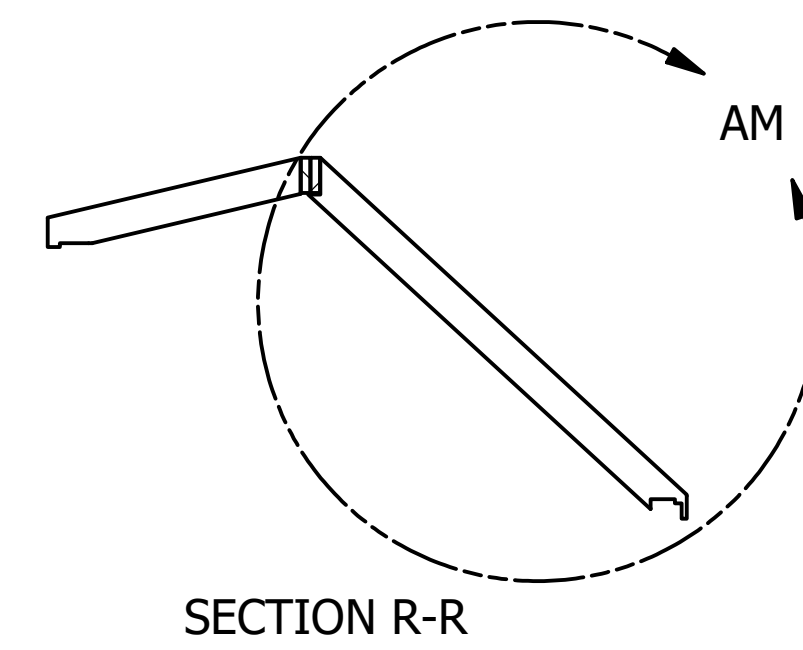
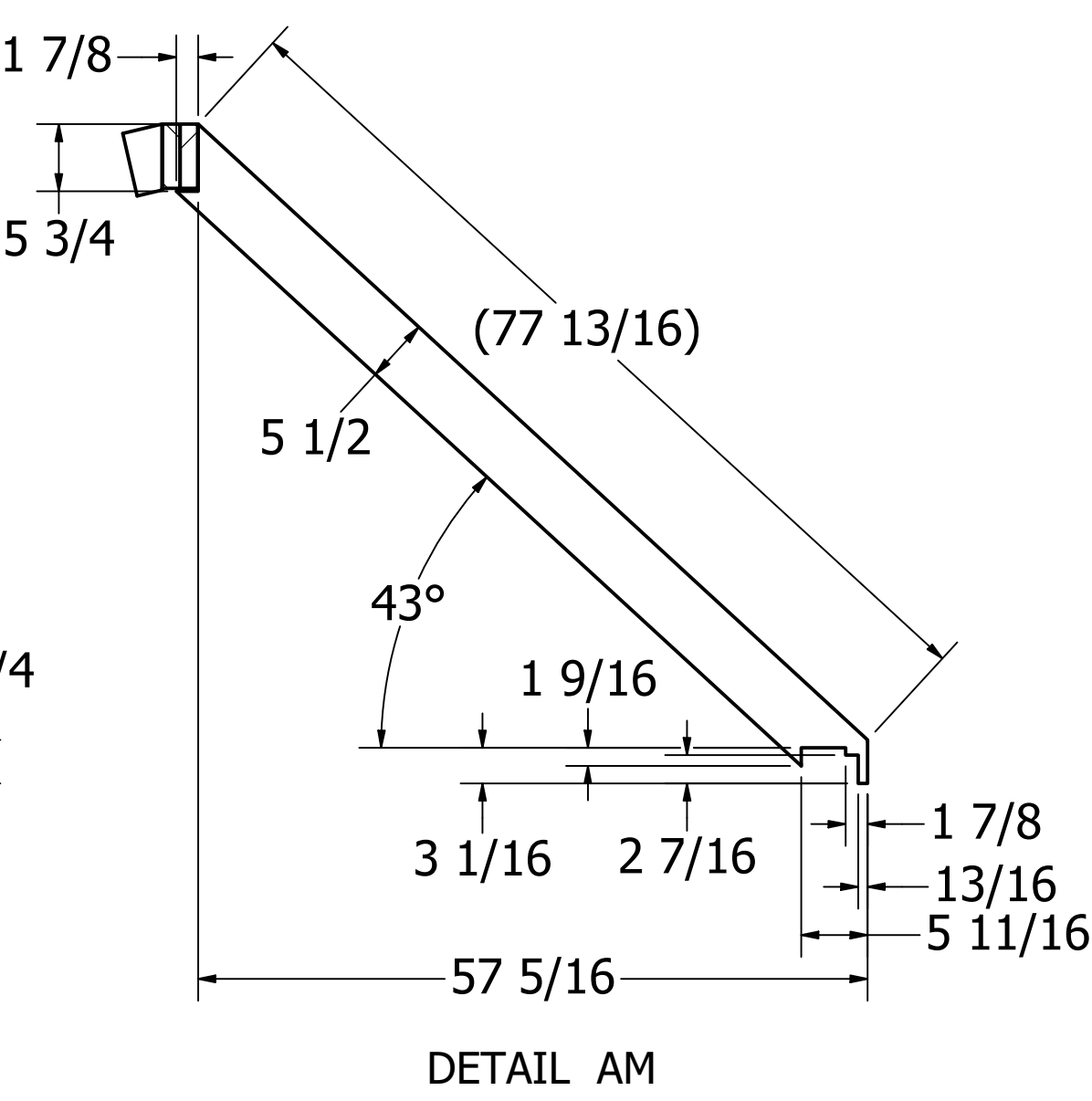
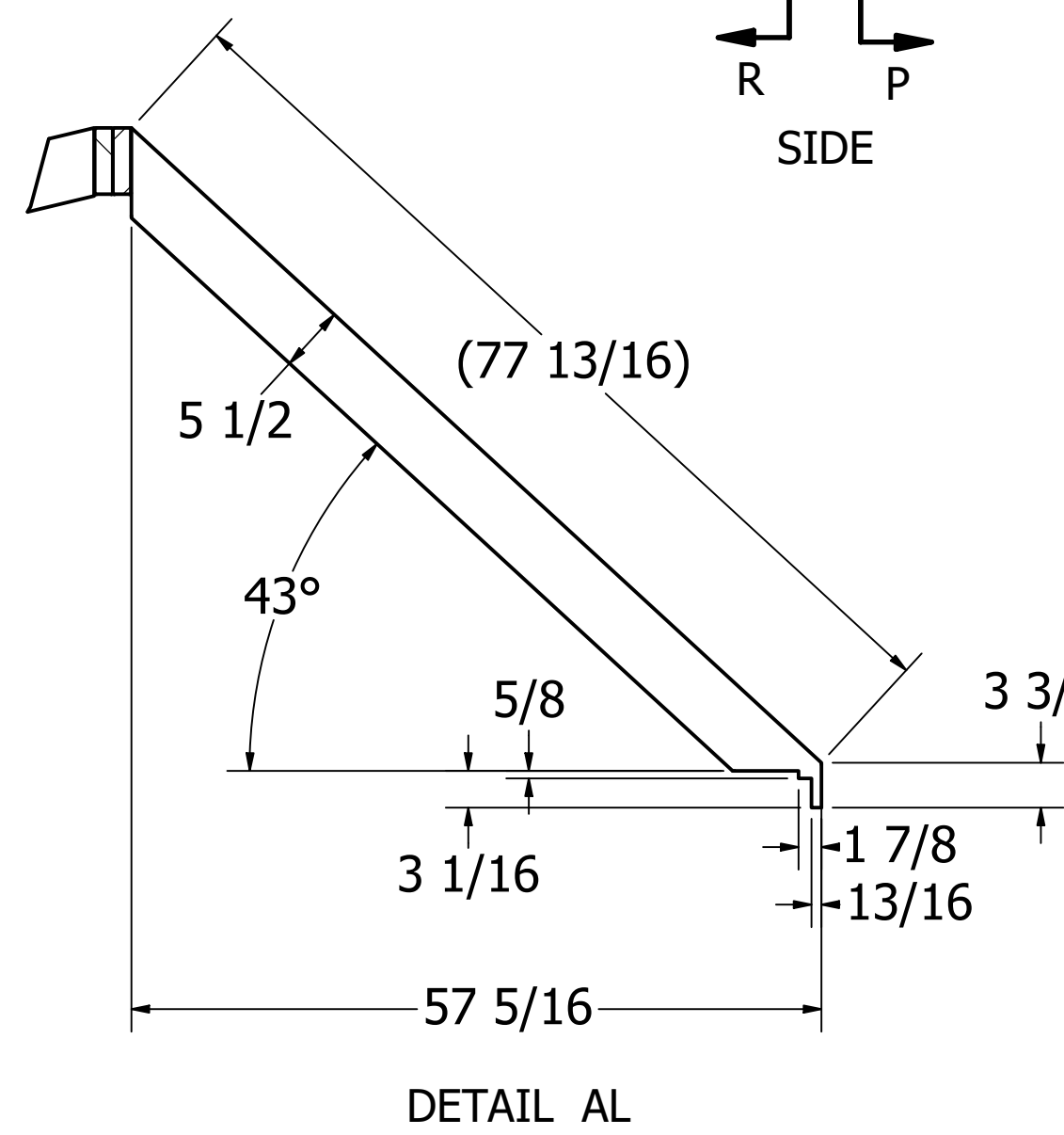
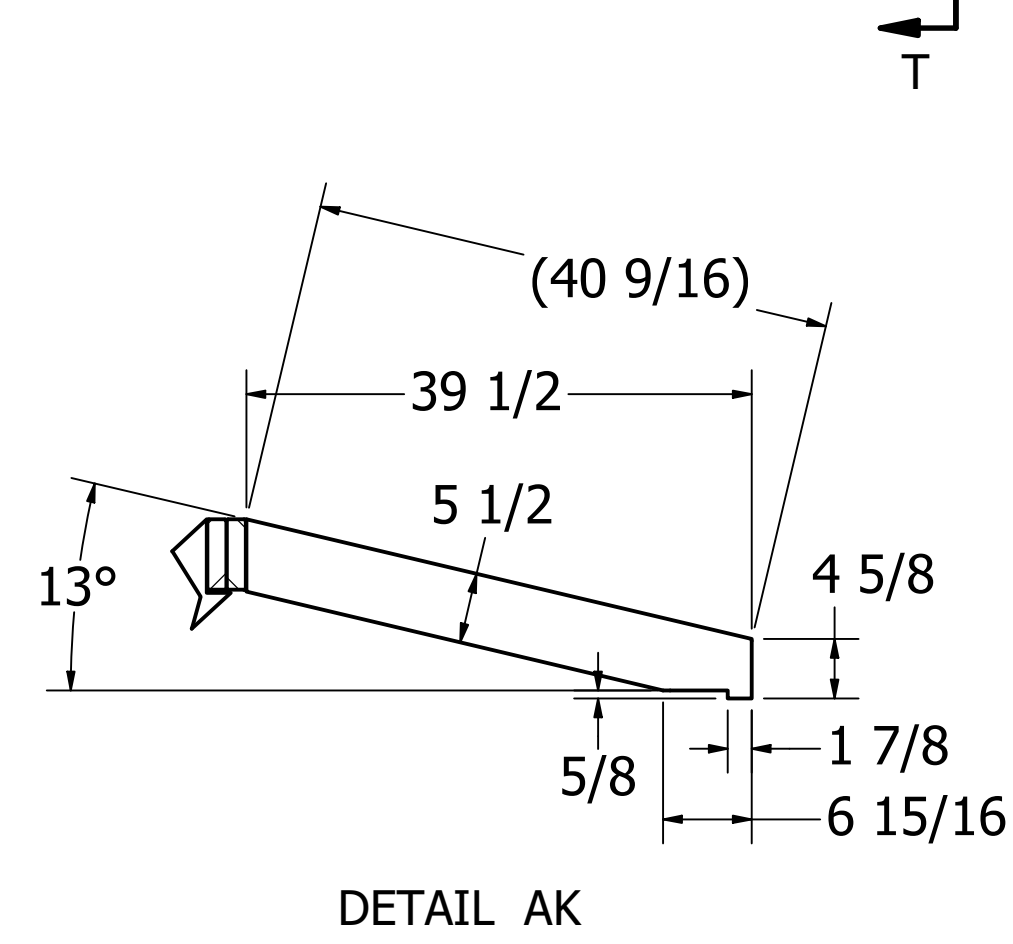
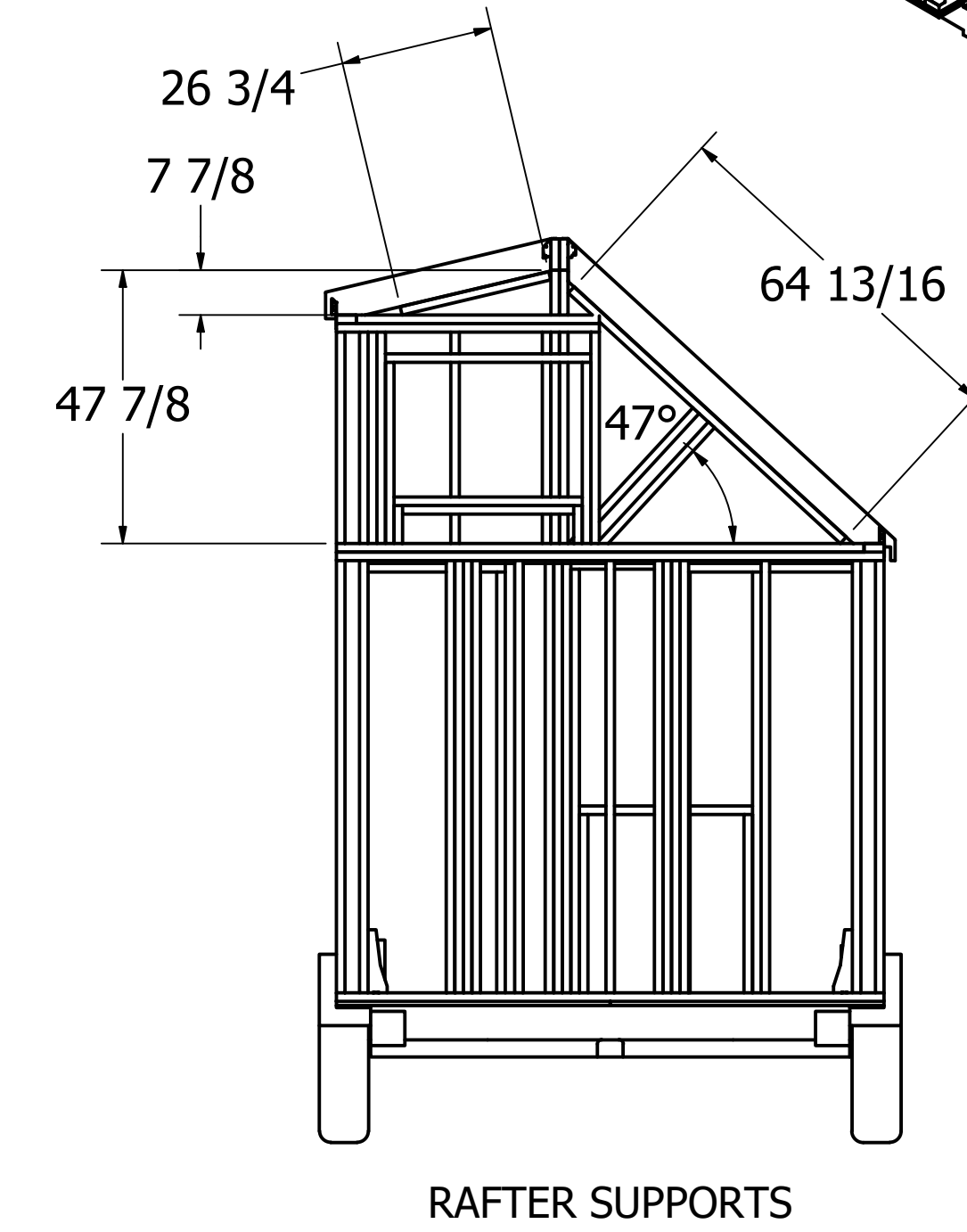
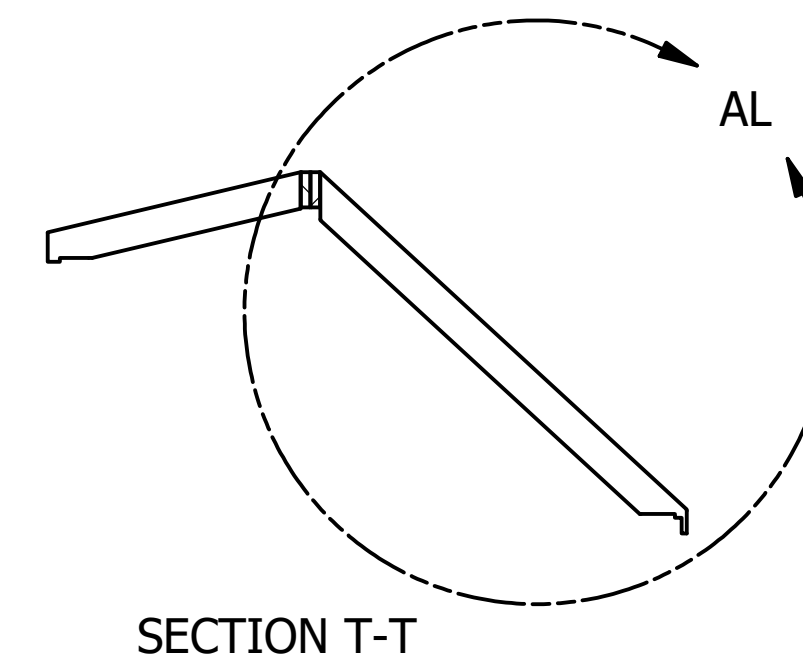
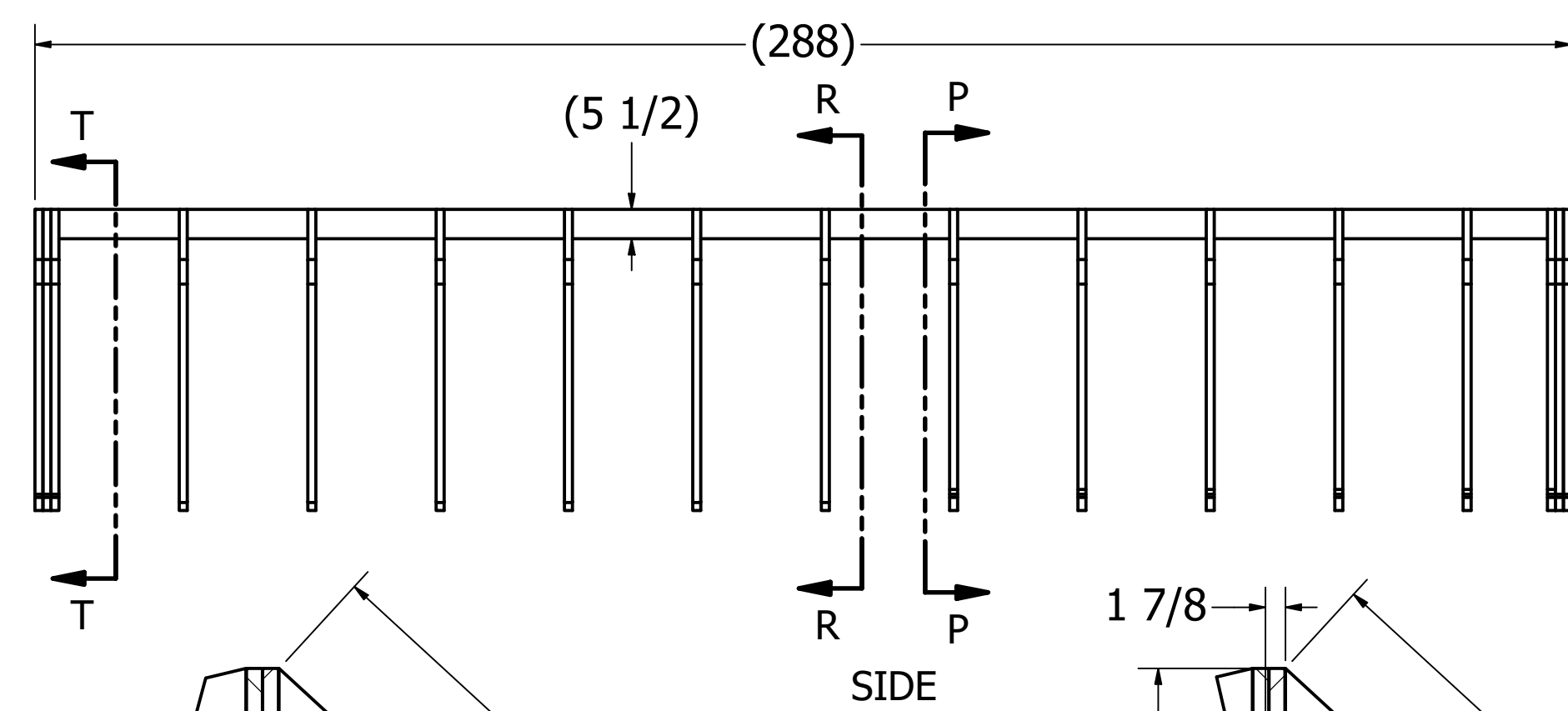
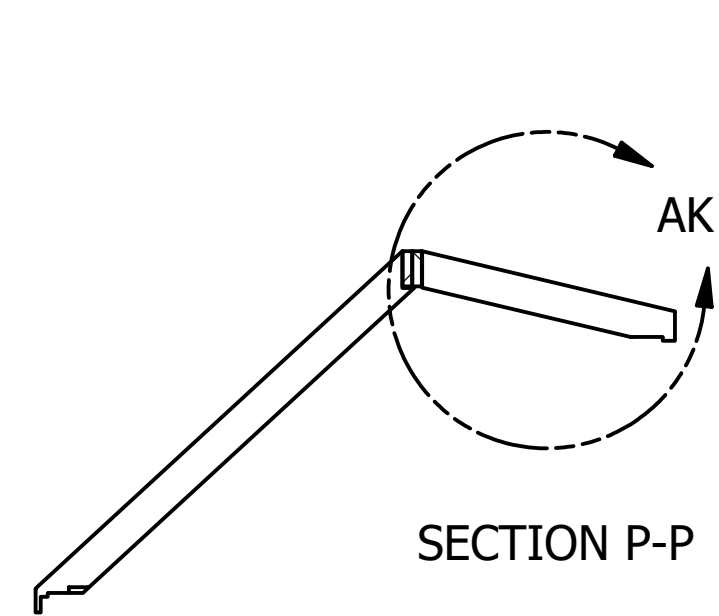
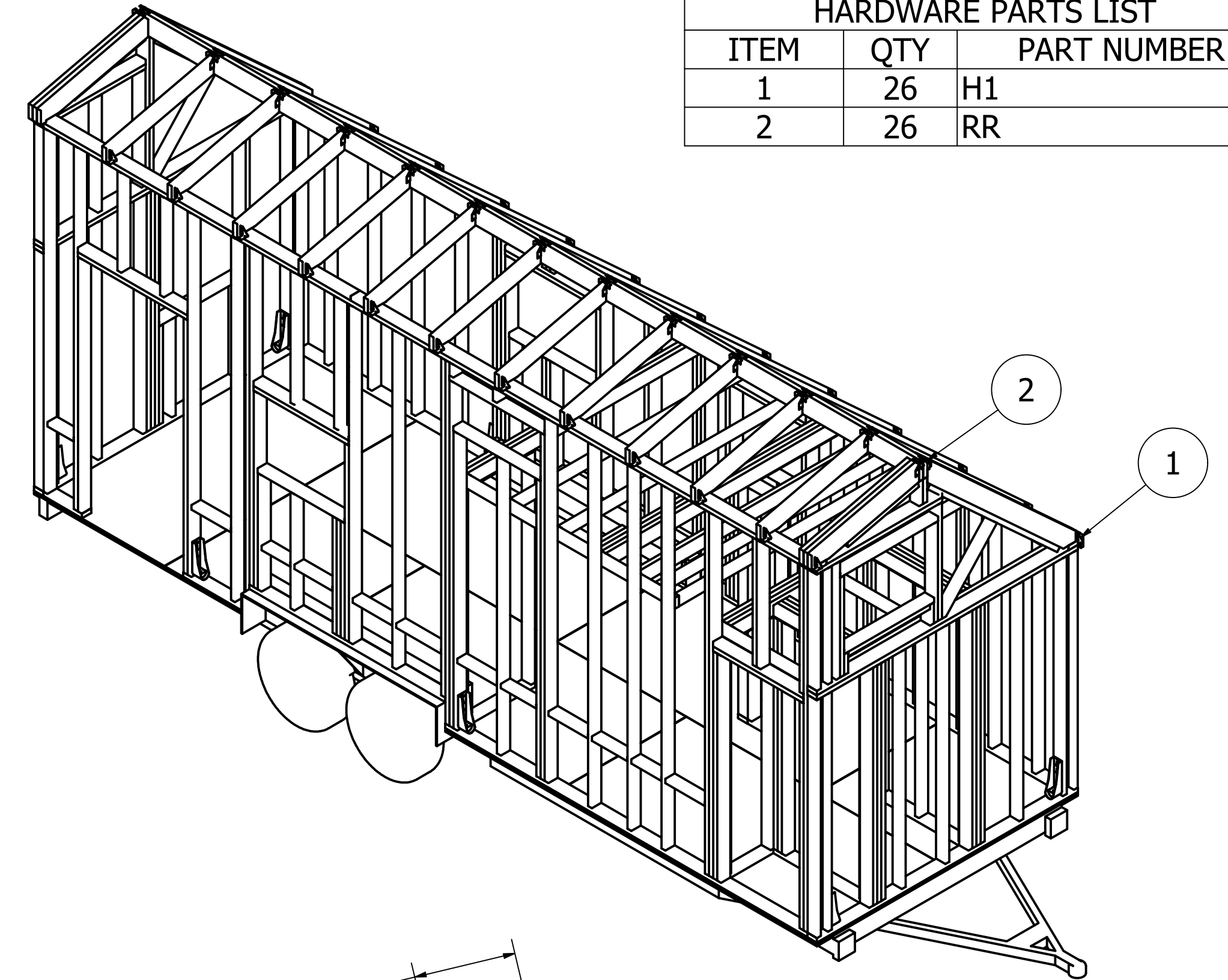
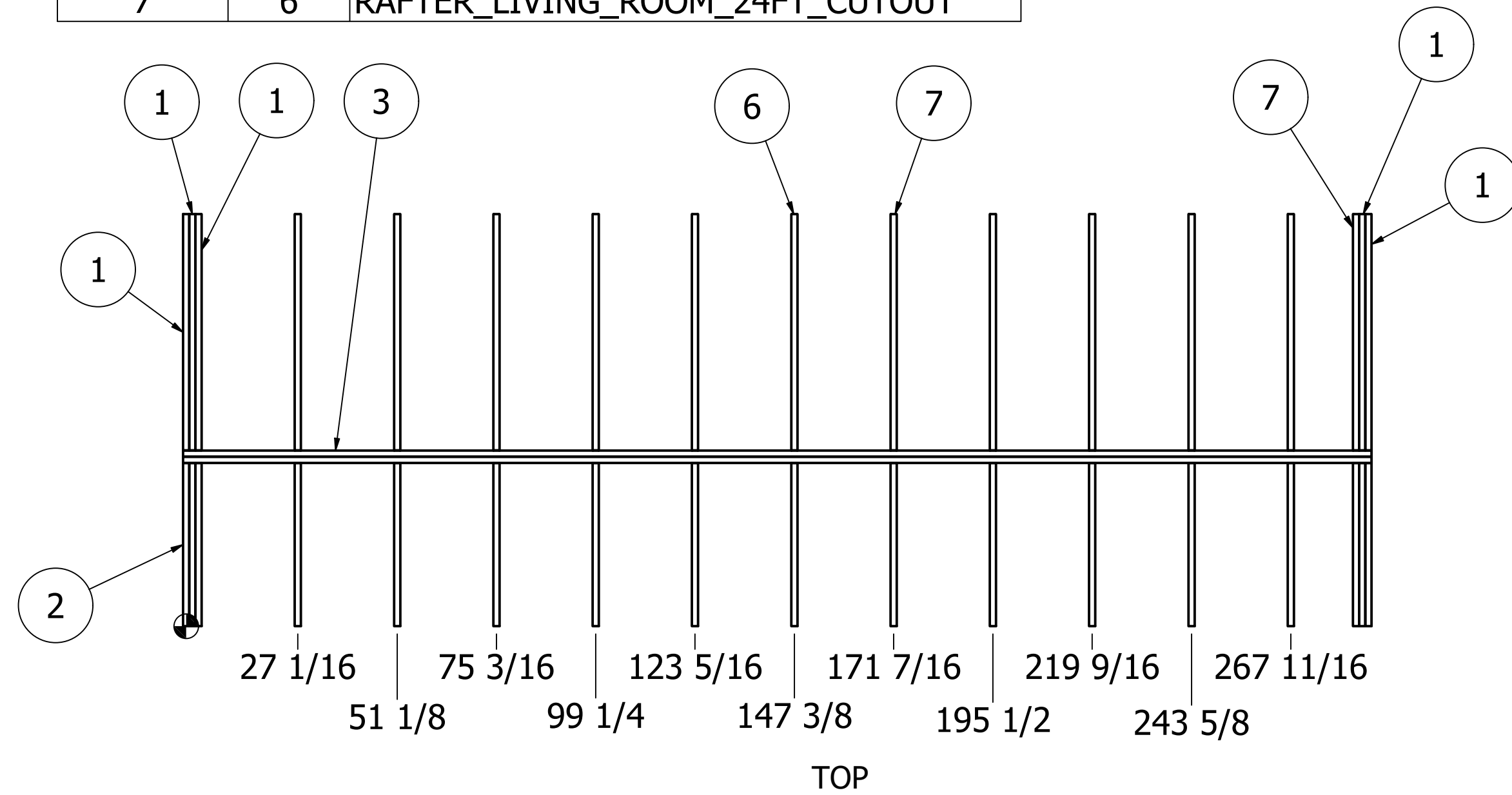
PROPRIETARY AND CONFIDENTIAL

THE INFORMATION CONTAINED IN THIS DRAWING IS THE SOLE PROPERTY OF SOLARCYCLE LLC. ANY REPRODUCTION IN PART OR AS A WHOLE WITHOUT THE WRITTEN PERMISSION OF SOLARCYCLE LLC IS PROHIBITED.

| RAFTER PARTS LIST | | |
|-------------------|-----|----------------------------------|
| ITEM | QTY | PART NUMBER |
| 1 | 5 | RAFTER_LIVING_ROOM_24FT |
| 2 | 17 | RAFTER_LOFT_24FT |
| 3 | 2 | 2X6X288_00 |
| 4 | 2 | 2X4X64_80 |
| 5 | 2 | 2X4X26_75 |
| 6 | 6 | RAFTER_LIVING_ROOM_24FT_2CUTOUTS |
| 7 | 6 | RAFTER_LIVING_ROOM_24FT_CUTOUT |

RAFTER ASSEMBLY

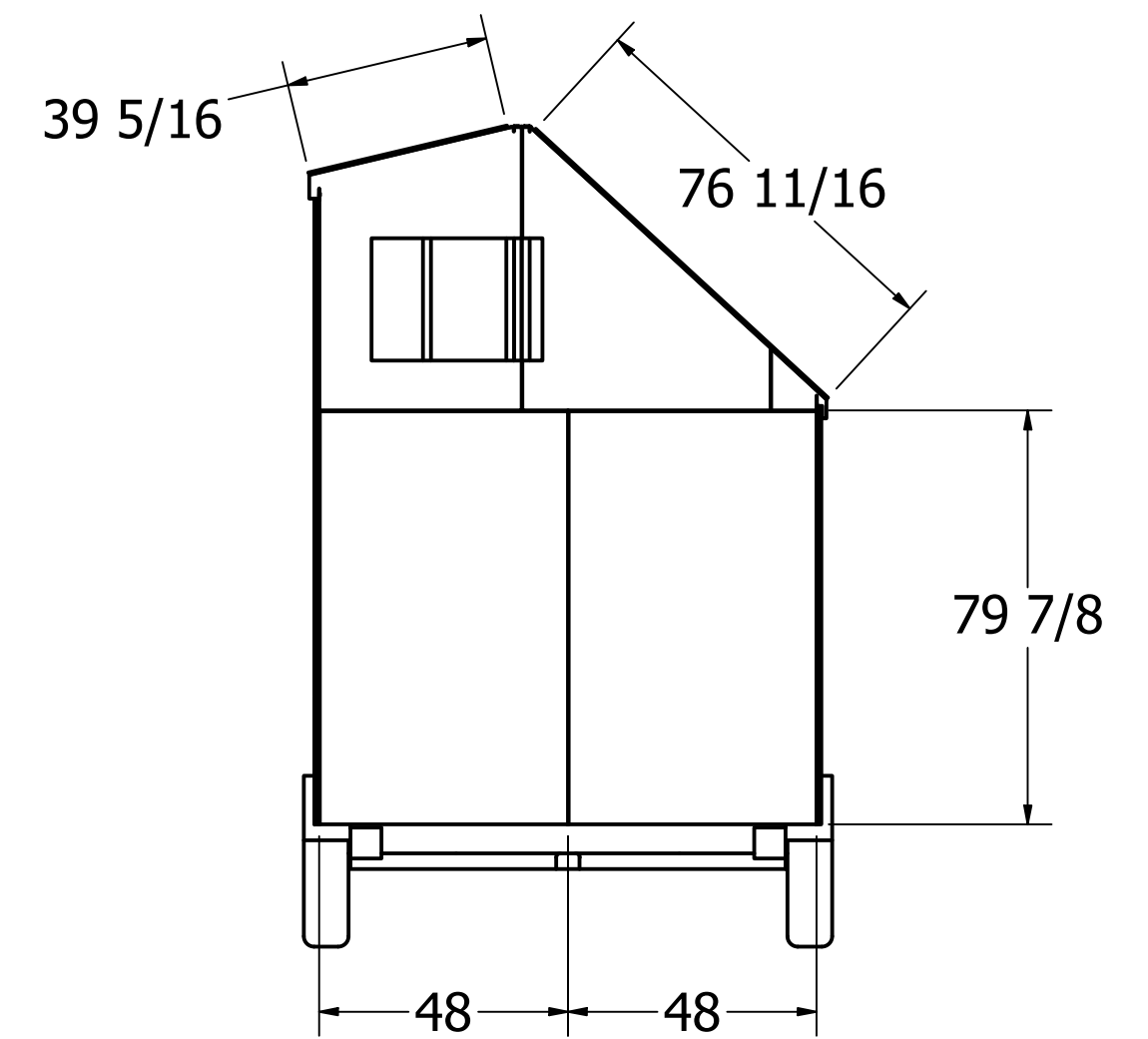
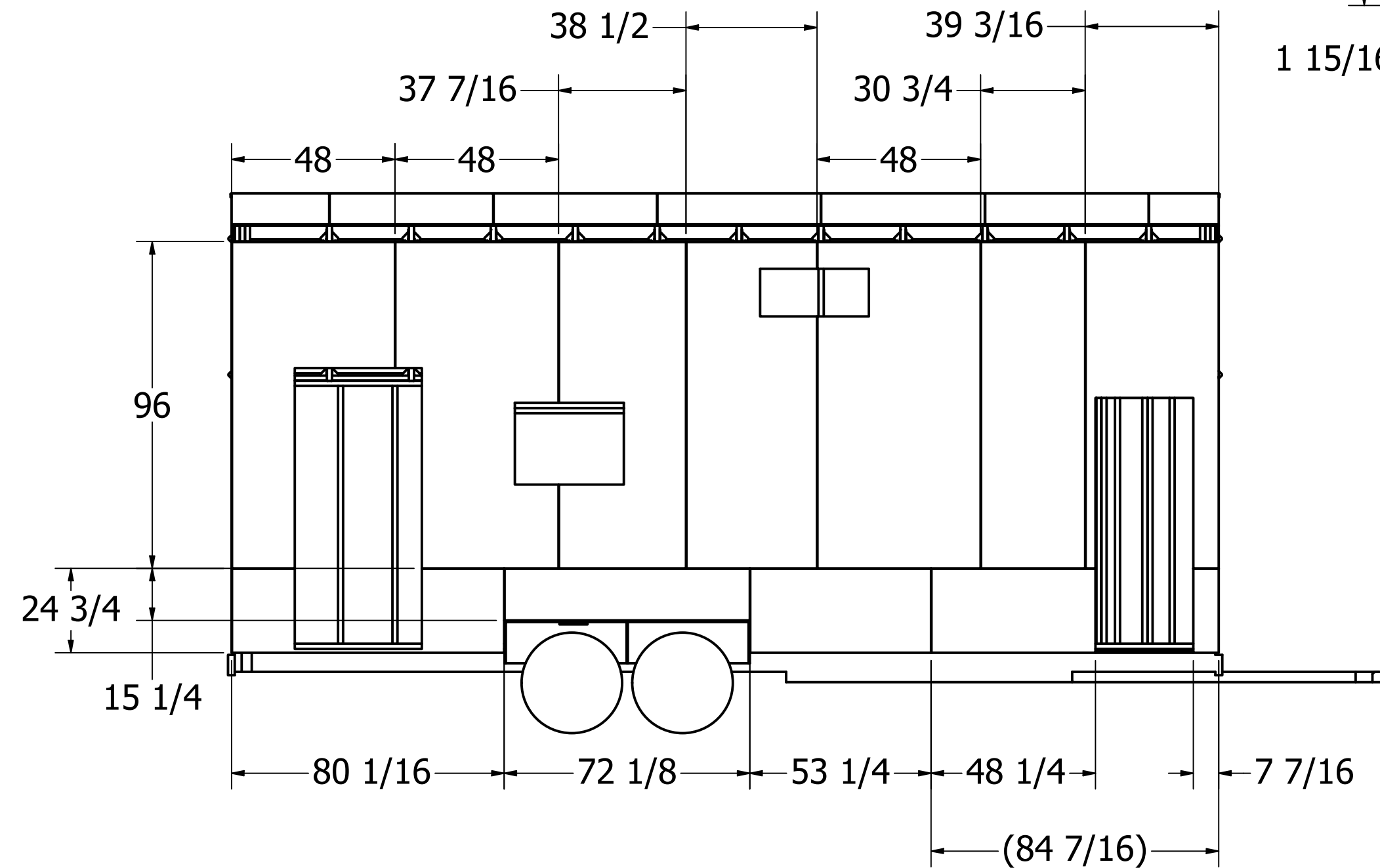
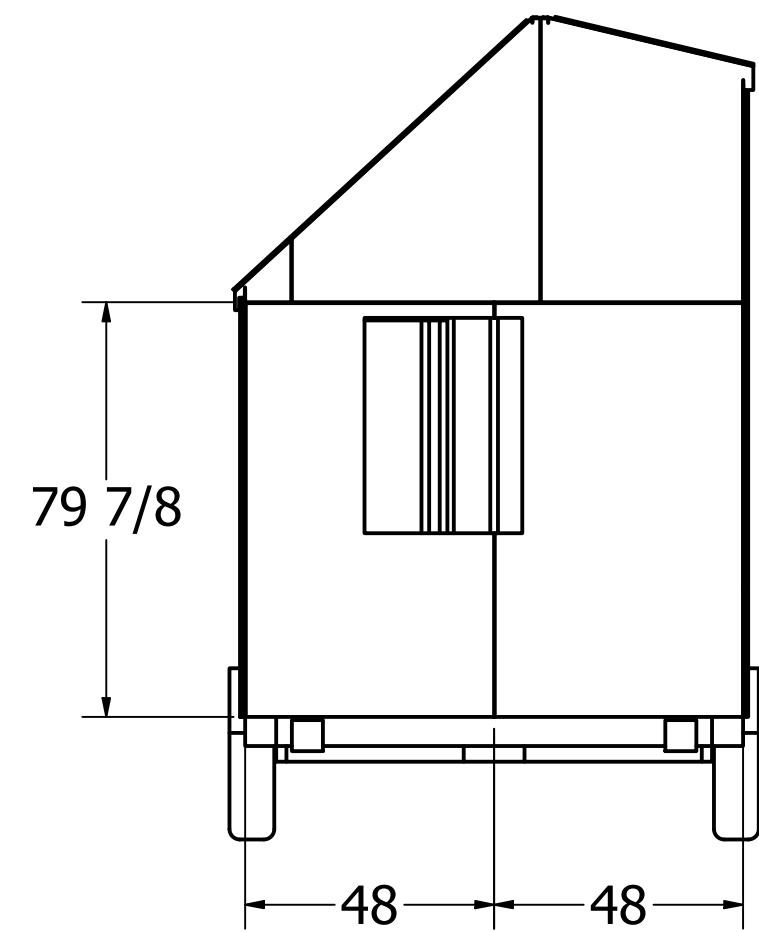
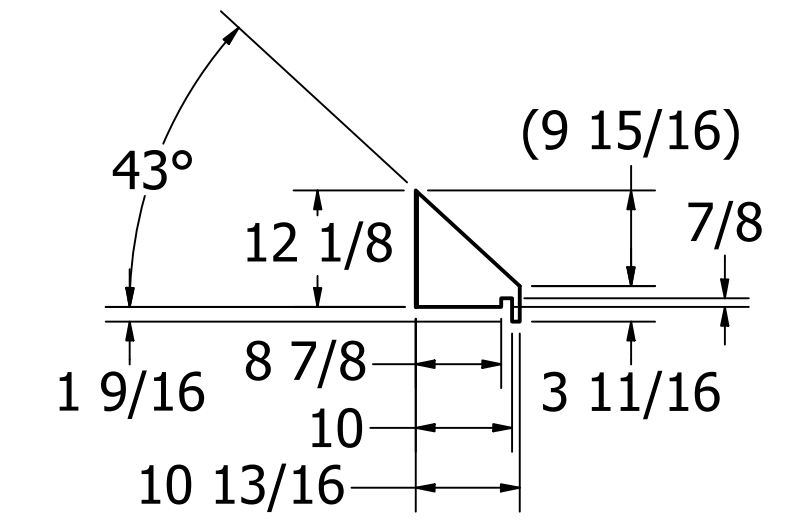
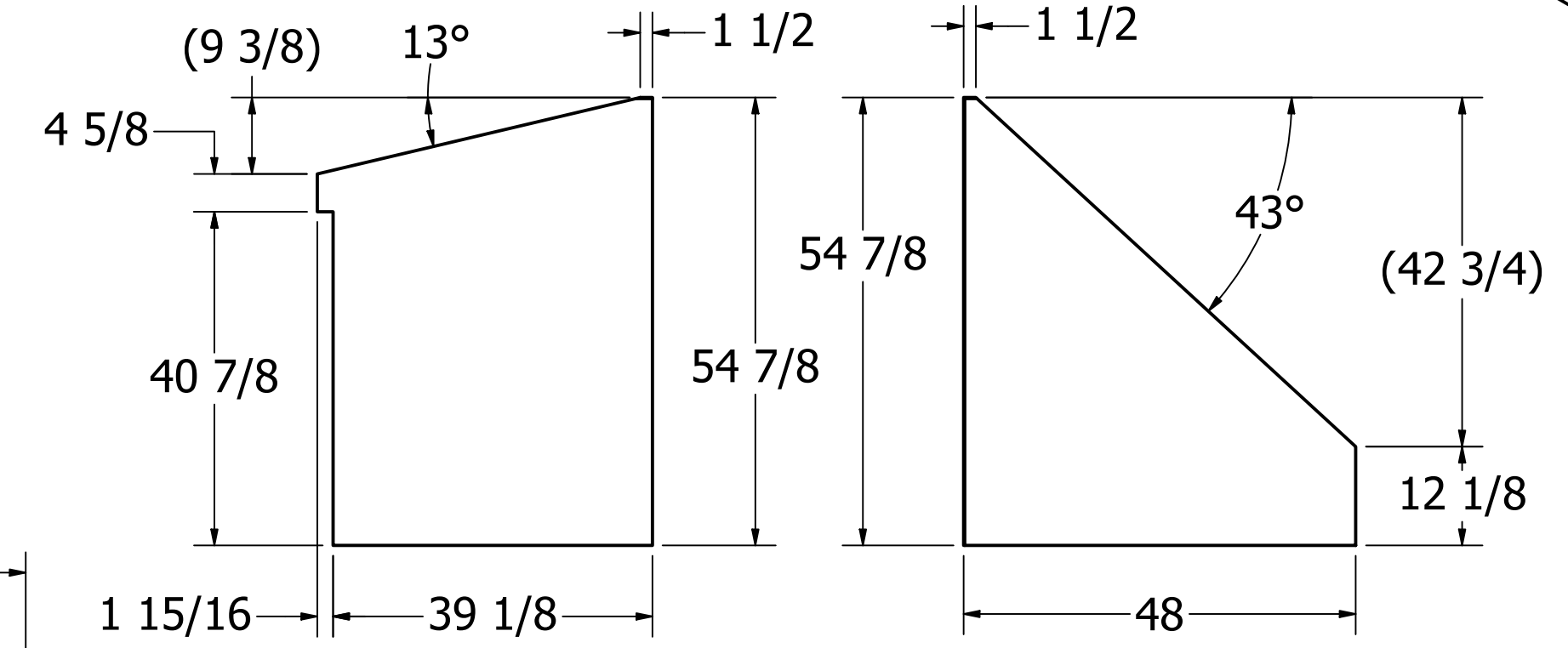
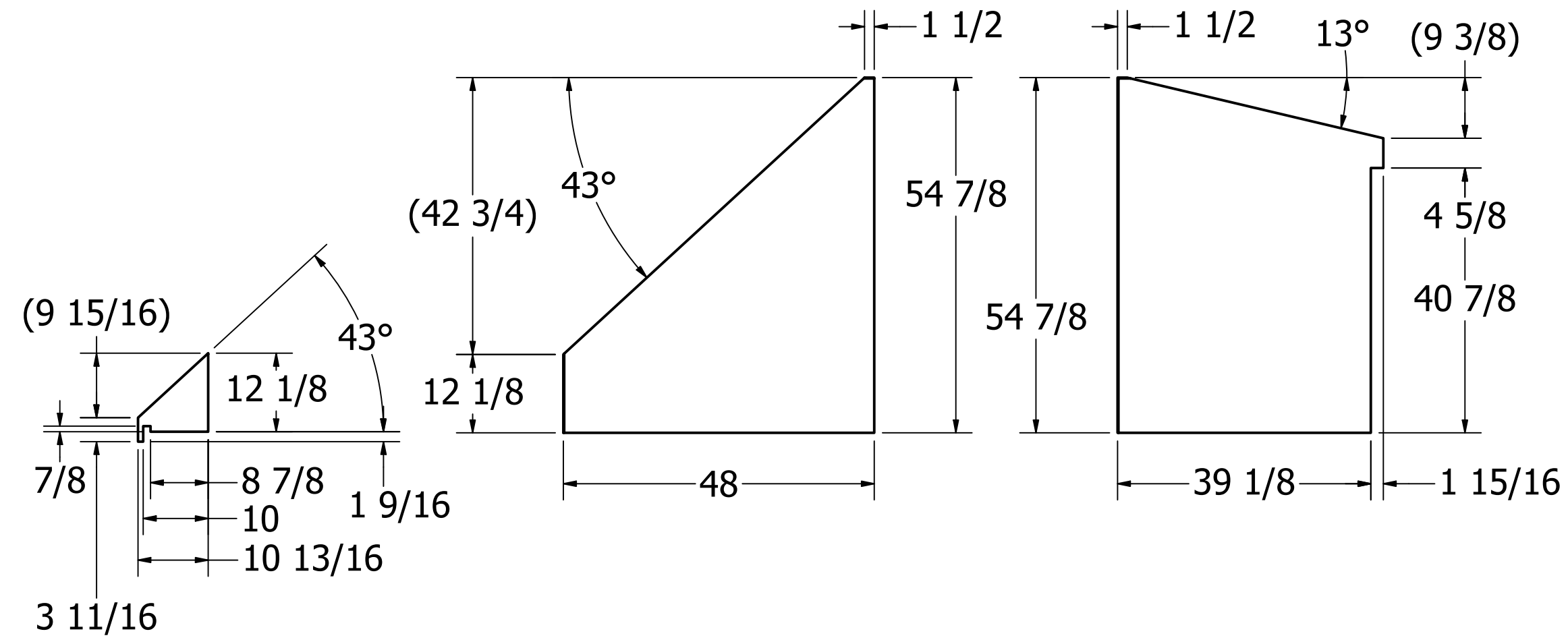
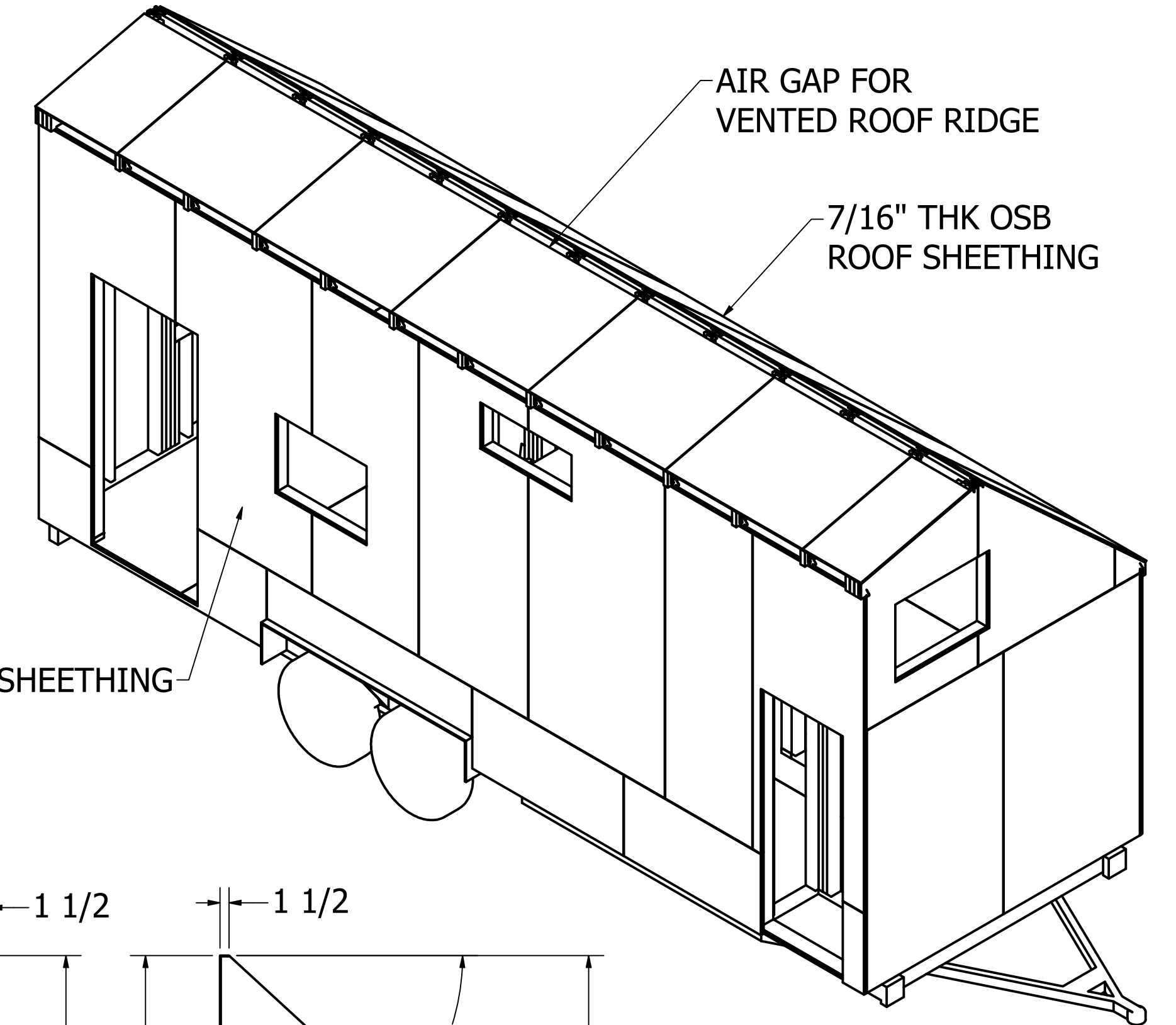
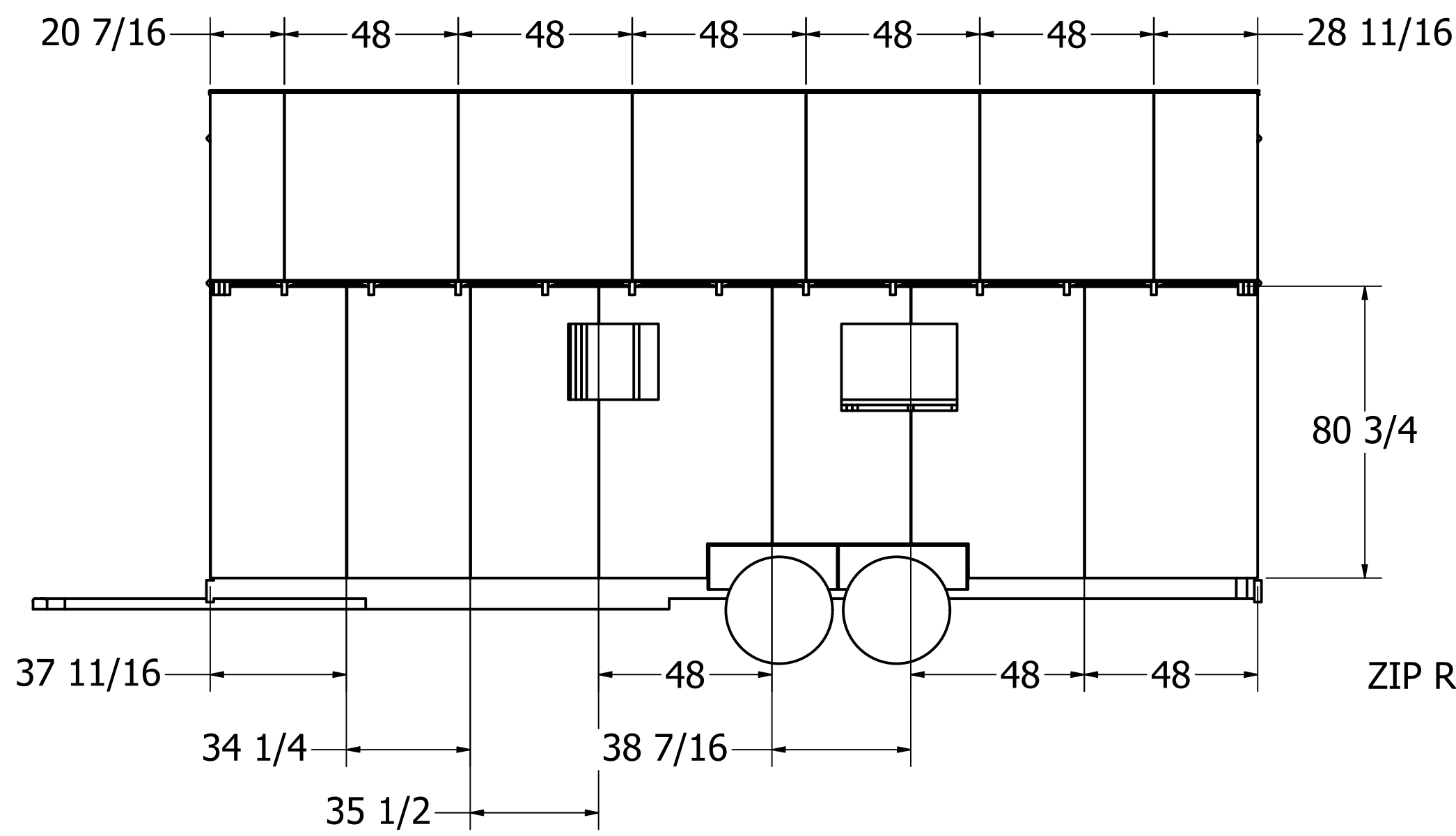
| HARDWARE PARTS LIST | | |
|---------------------|-----|-------------|
| ITEM | QTY | PART NUMBER |
| 1 | 26 | H1 |
| 2 | 26 | RR |



PROPRIETARY AND CONFIDENTIAL
 THE INFORMATION CONTAINED IN THIS DRAWING IS THE SOLE PROPERTY OF SOLARCYCLE LLC. ANY REPRODUCTION IN PART OR AS A WHOLE WITHOUT THE WRITTEN PERMISSION OF SOLARCYCLE LLC IS PROHIBITED.

| | | | | |
|----------------------------|-----------|-----------|--------------------------|---------------------|
| UNLESS OTHERWISE SPECIFIED | DRAWN | 9/11/2022 | TITLE | |
| DIMENSIONS ARE IN INCHES | ISAAC | | SOLARCYCLE ONE TINY HOME | |
| TOLERANCES: | CHECKED | | SIZE | DWG NO |
| FRACTIONAL PART: ± 1/16 | QA | | D | SOLARCYCLE TH STEEL |
| FRACTIONAL ASSY: ± 1/8 | MFG | | SCALE | REV |
| ANGLE: ± 1° | APPROVED | | | F |
| MATERIAL | COMMENTS: | | SHEET 6 OF 13 | |
| FINISH | | | | |
| DO NOT SCALE DRAWING | | | | |

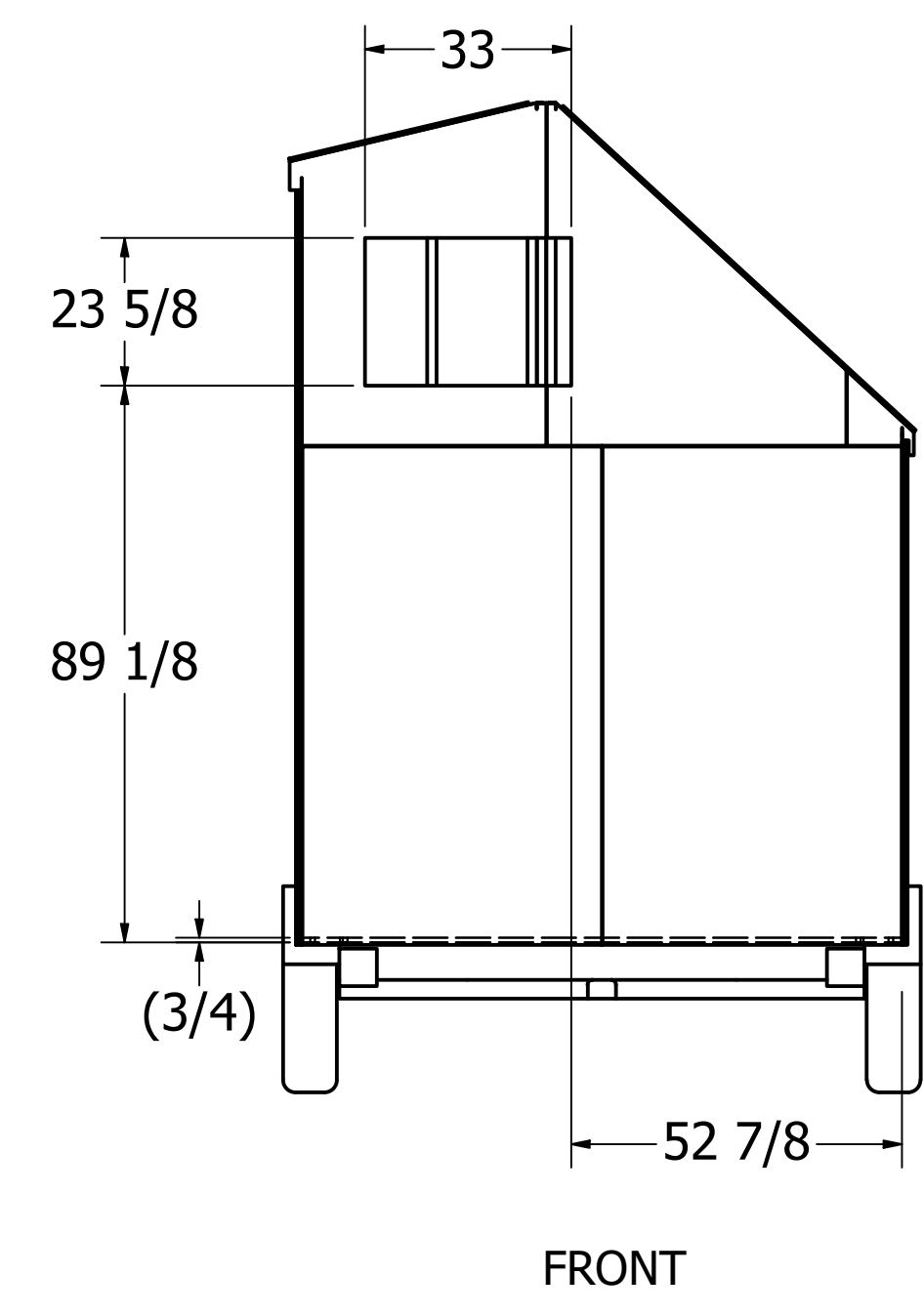
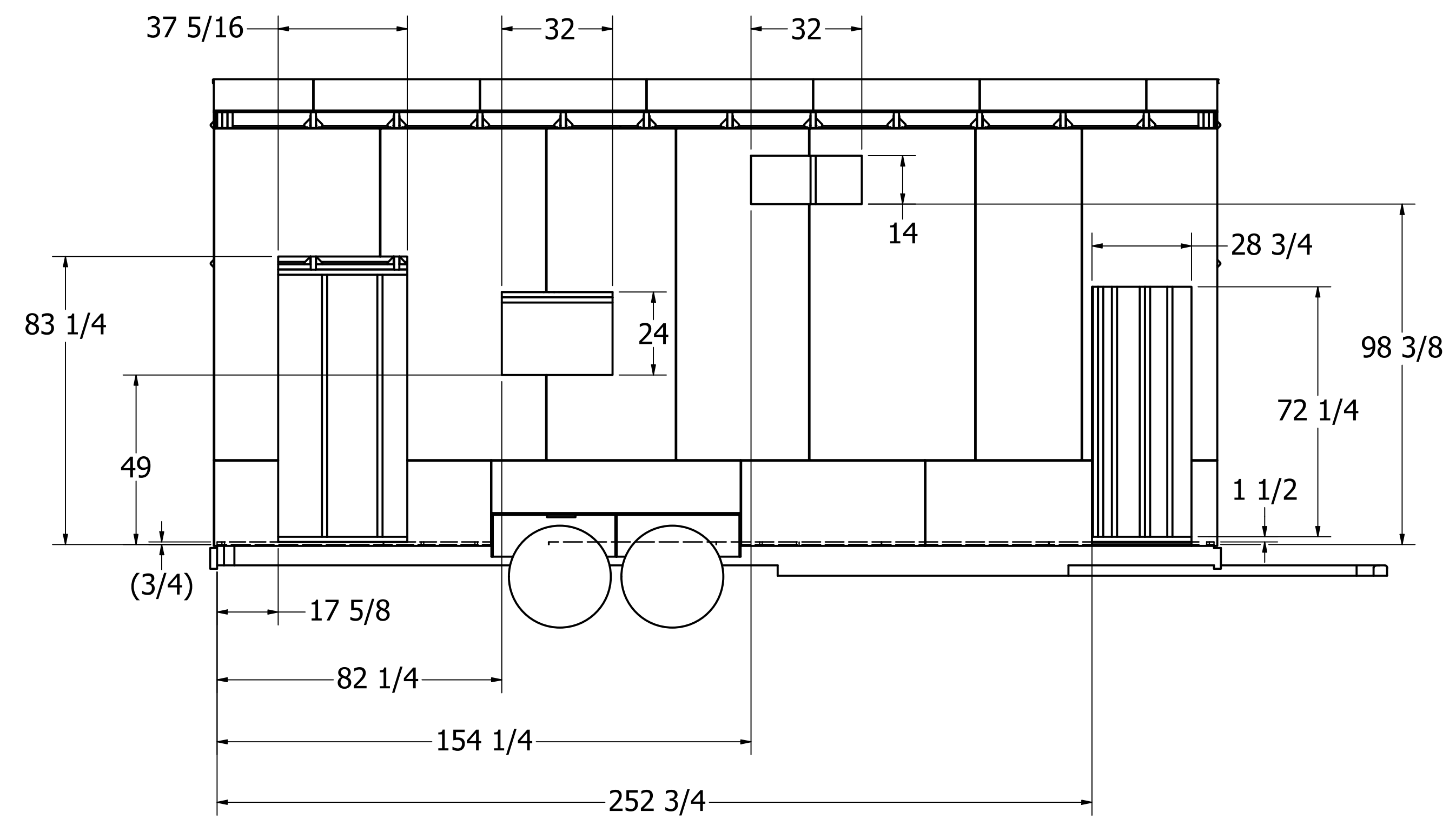
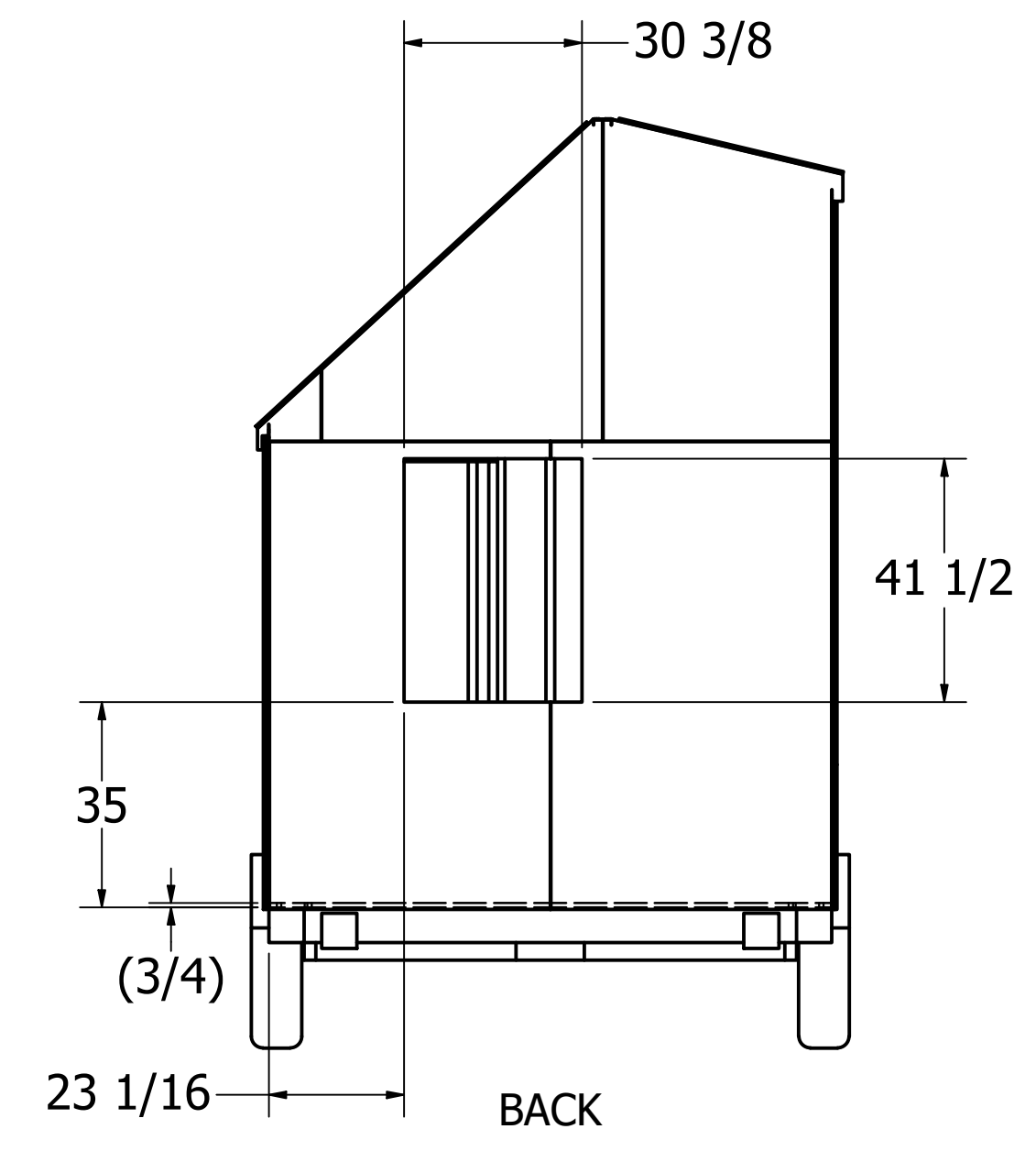
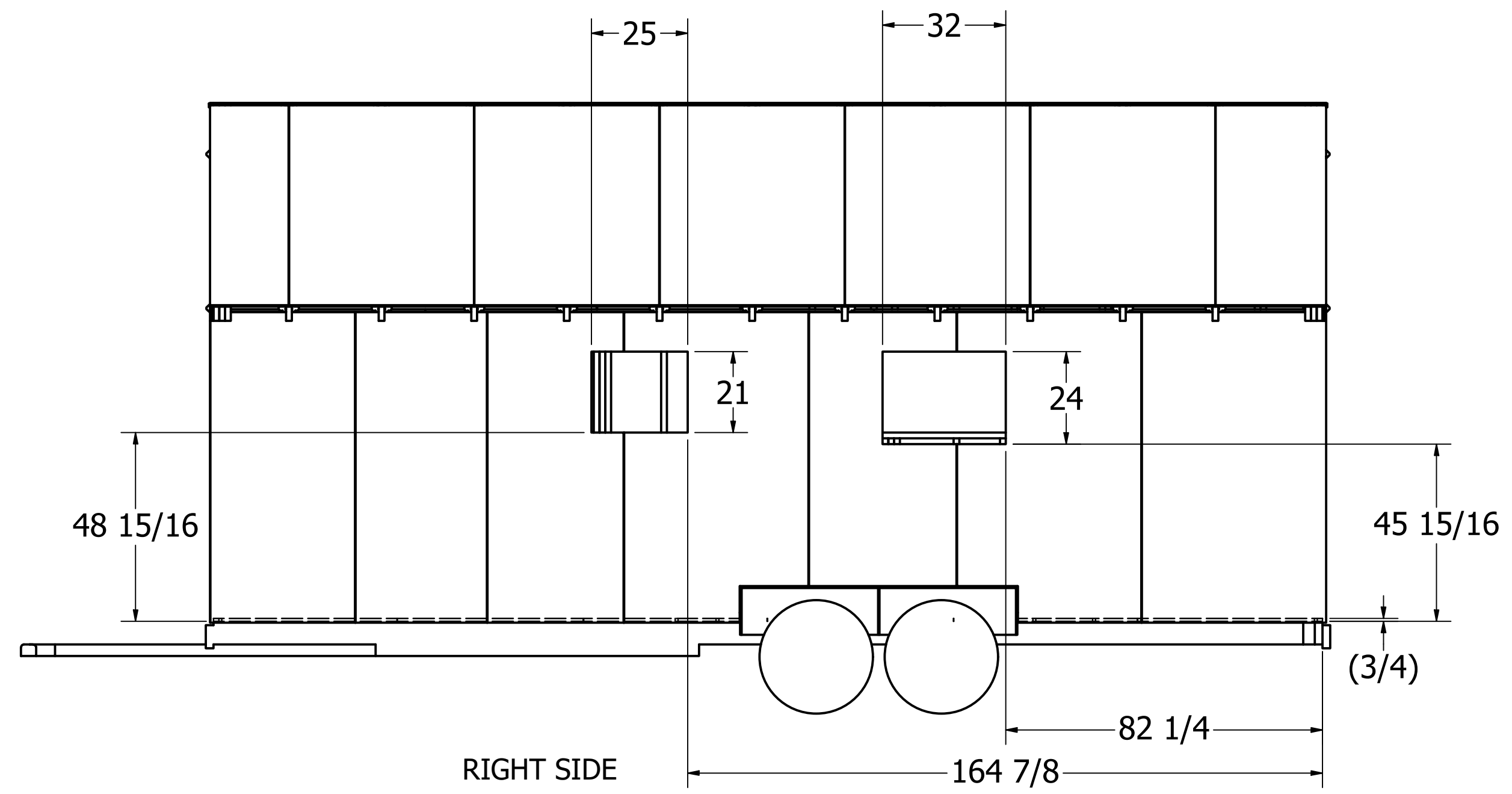
ROOF/WALL SHEETHING



PROPRIETARY AND CONFIDENTIAL
 THE INFORMATION CONTAINED IN THIS DRAWING IS THE SOLE PROPERTY OF SOLARCYCLE LLC. ANY REPRODUCTION IN PART OR AS A WHOLE WITHOUT THE WRITTEN PERMISSION OF SOLARCYCLE LLC IS PROHIBITED.

| | | | | |
|----------------------------|-----------|-----------|--------------------------|---------------------|
| UNLESS OTHERWISE SPECIFIED | DRAWN | 9/11/2022 | | |
| DIMENSIONS ARE IN INCHES | ISAAC | | TITLE | |
| TOLERANCES: | CHECKED | | SOLARCYCLE ONE TINY HOME | |
| FRACTIONAL PART: ± 1/16 | QA | | SIZE | DWG NO |
| FRACTIONAL ASSY: ± 1/8 | MFG | | D | SOLARCYCLE TH STEEL |
| ANGLE: ± 1° | APPROVED | | SCALE | REV |
| MATERIAL | COMMENTS: | | | F |
| FINISH | | | | |
| DO NOT SCALE DRAWING | | | | SHEET 7 OF 13 |

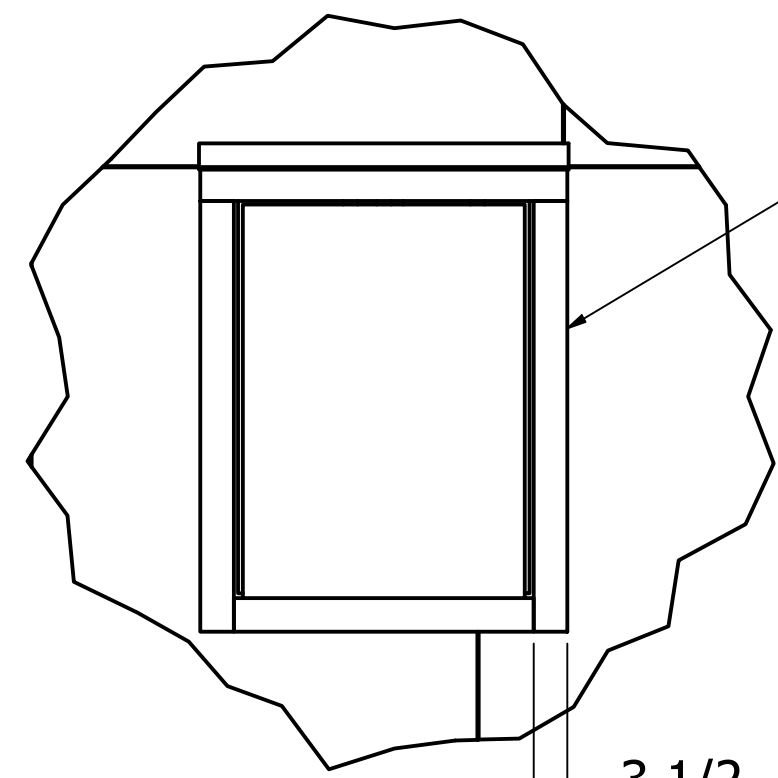
DOOR AND WINDOW ROUGH OPENING DETAILS (HEIGHT DIMENSIONS FROM TRAILER STEEL PANEL)



PROPRIETARY AND CONFIDENTIAL
THE INFORMATION CONTAINED IN THIS DRAWING IS THE SOLE PROPERTY OF SOLARCYCLE LLC. ANY REPRODUCTION IN PART OR AS A WHOLE WITHOUT THE WRITTEN PERMISSION OF SOLARCYCLE LLC IS PROHIBITED.

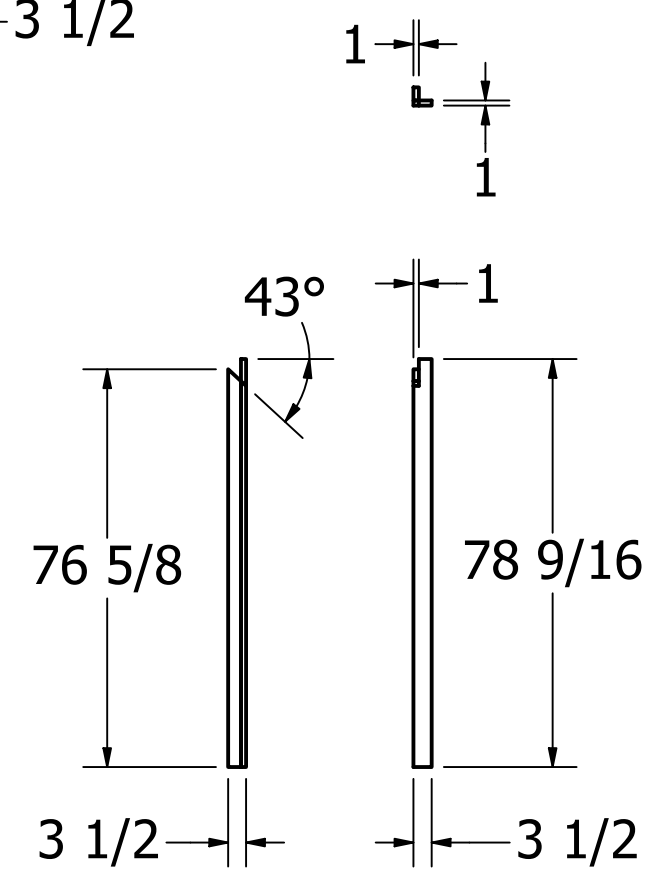
| | | | | | |
|---|----------------|-----------|--------------------------|---------------------|-----|
| UNLESS OTHERWISE SPECIFIED DIMENSIONS ARE IN INCHES TOLERANCES: FRACTIONAL PART: ± 1/16 FRACTIONAL ASSY: ± 1/8 ANGLE: ± 1° | DRAWN ISAAC | 9/11/2022 | TITLE | | |
| MATERIAL | CHECKED | | SOLARCYCLE ONE TINY HOME | | |
| FINISH | QA | | | | |
| DO NOT SCALE DRAWING | MFG | | SIZE | DWG NO | REV |
| | APPROVED | | D | SOLARCYCLE TH STEEL | F |
| | COMMENTS: | | SCALE | SHEET 8 OF 13 | |

TRIM BOARD, FLASHING, AND SOFFIT

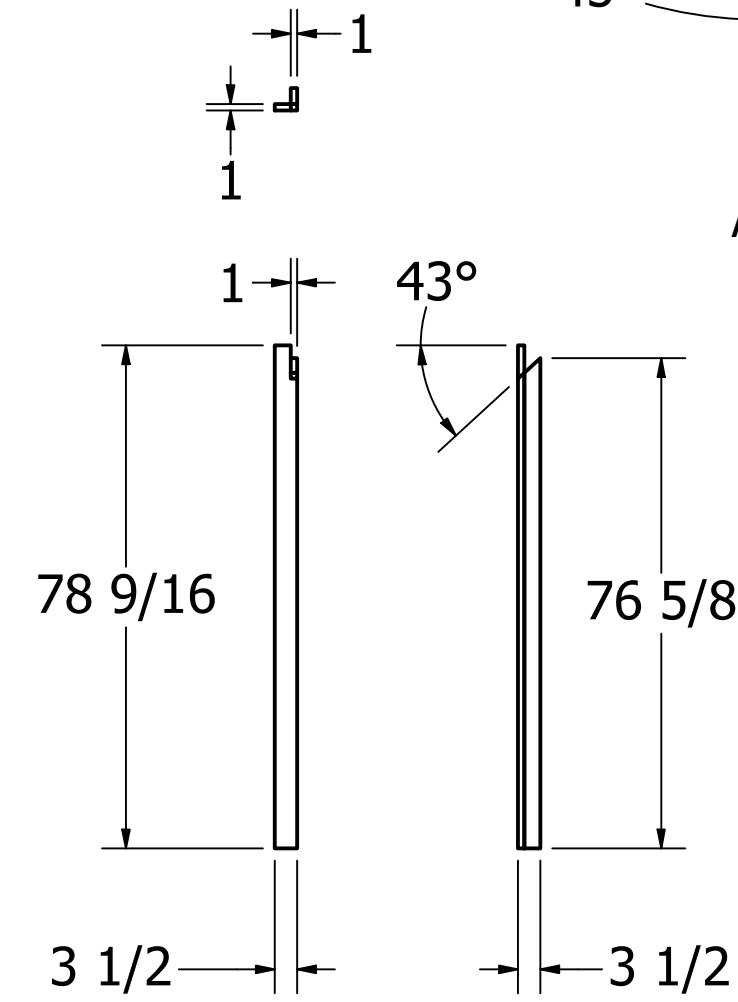
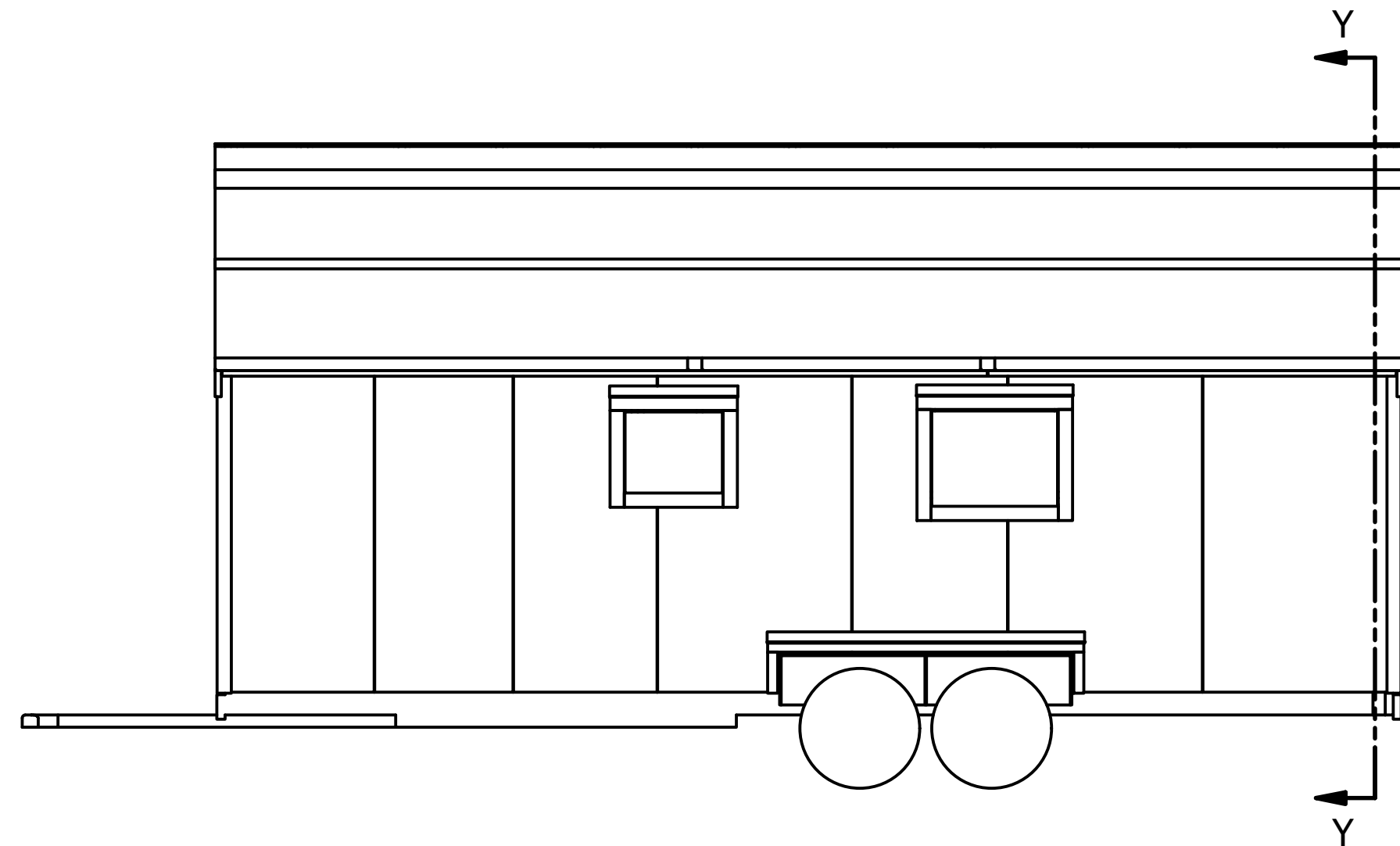


FLASH AND TRIM ALL DOORS AND WINDOWS PER INDUSTRY STANDARDS (WINDOWS SHOWN 1" THICK TRIM BOARD)

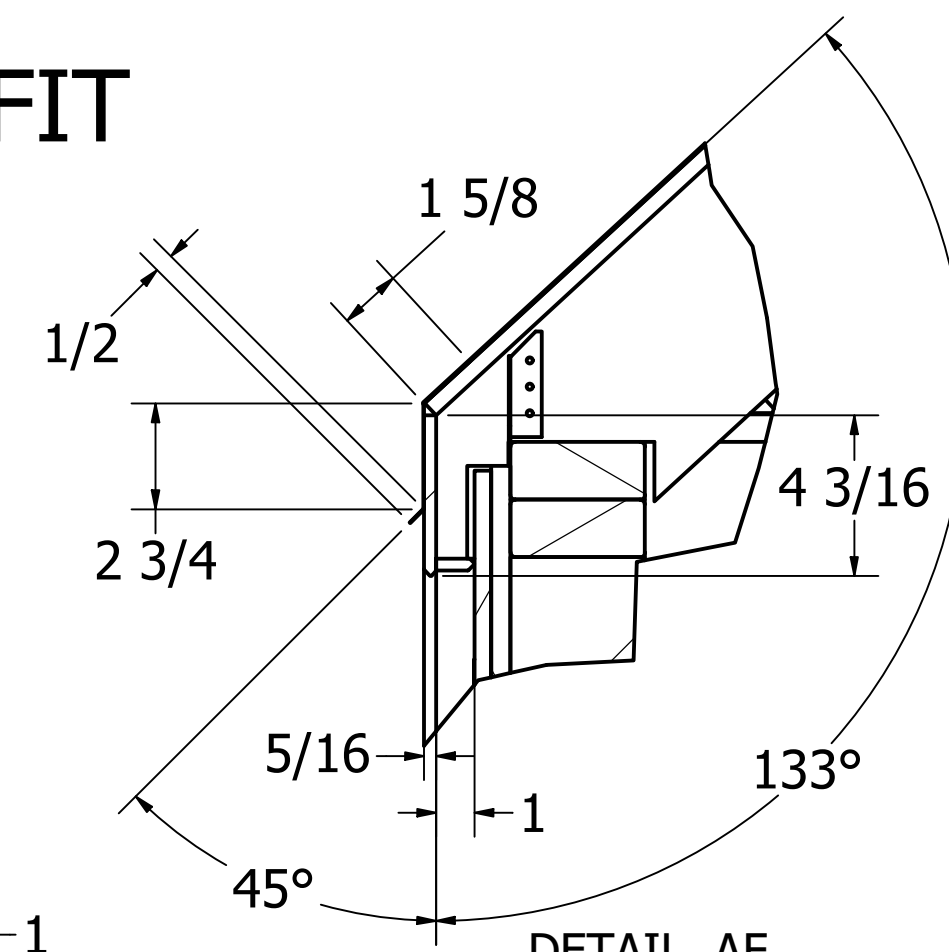
DETAIL AJ



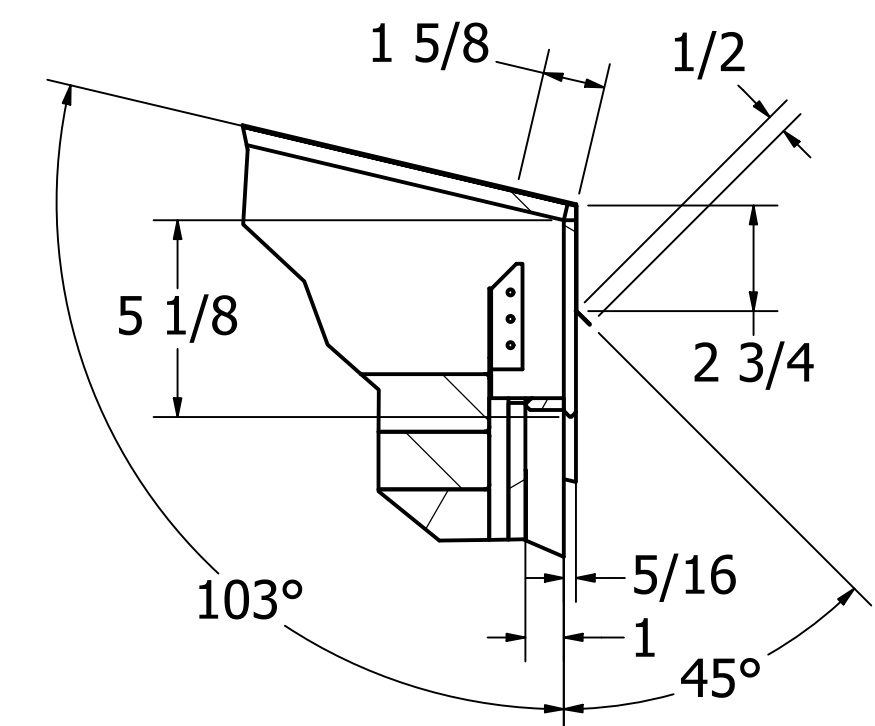
RIGHT FRONT CORNER TRIM



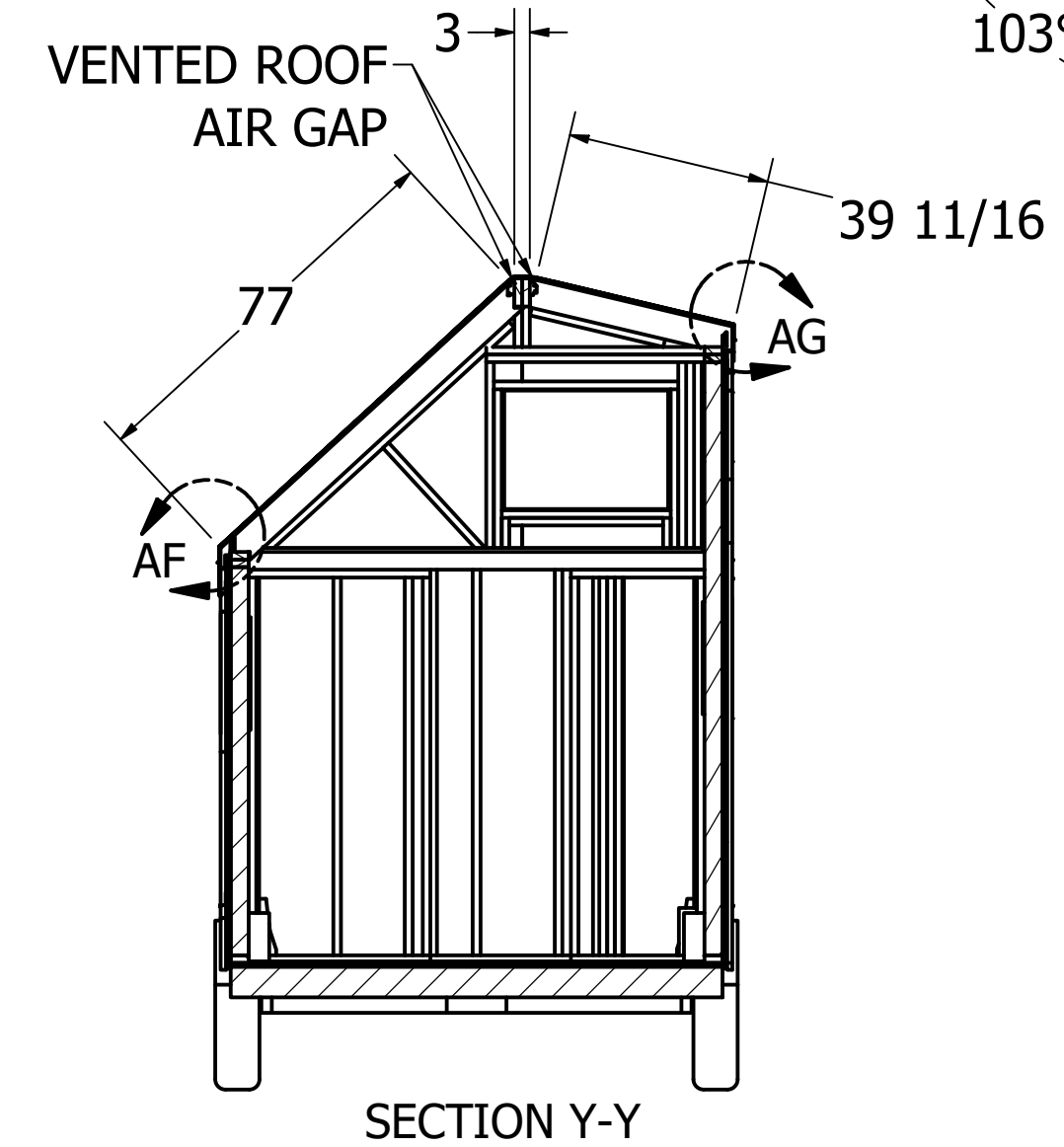
RIGHT BACK CORNER TRIM



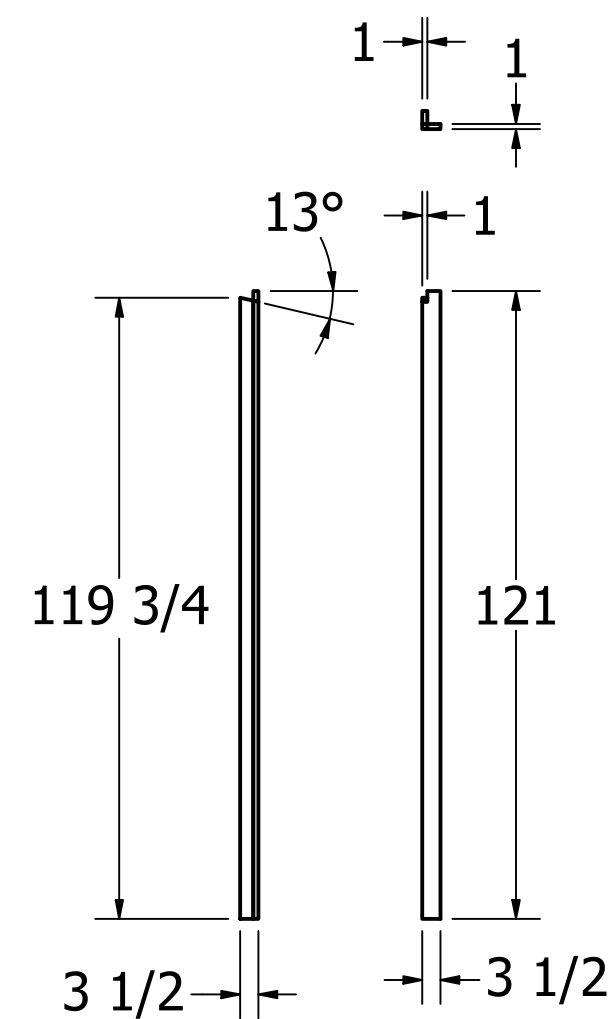
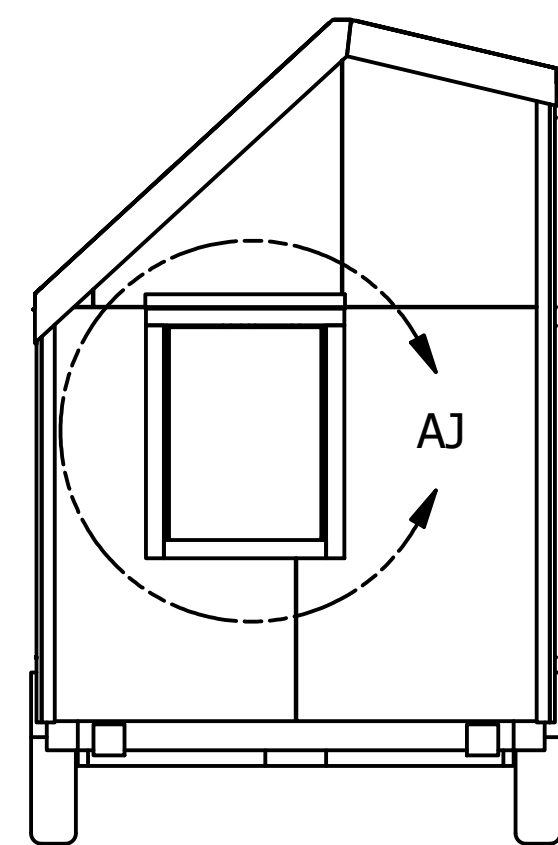
DETAIL AF
RIGHT SOFFIT AND METAL FLASHING



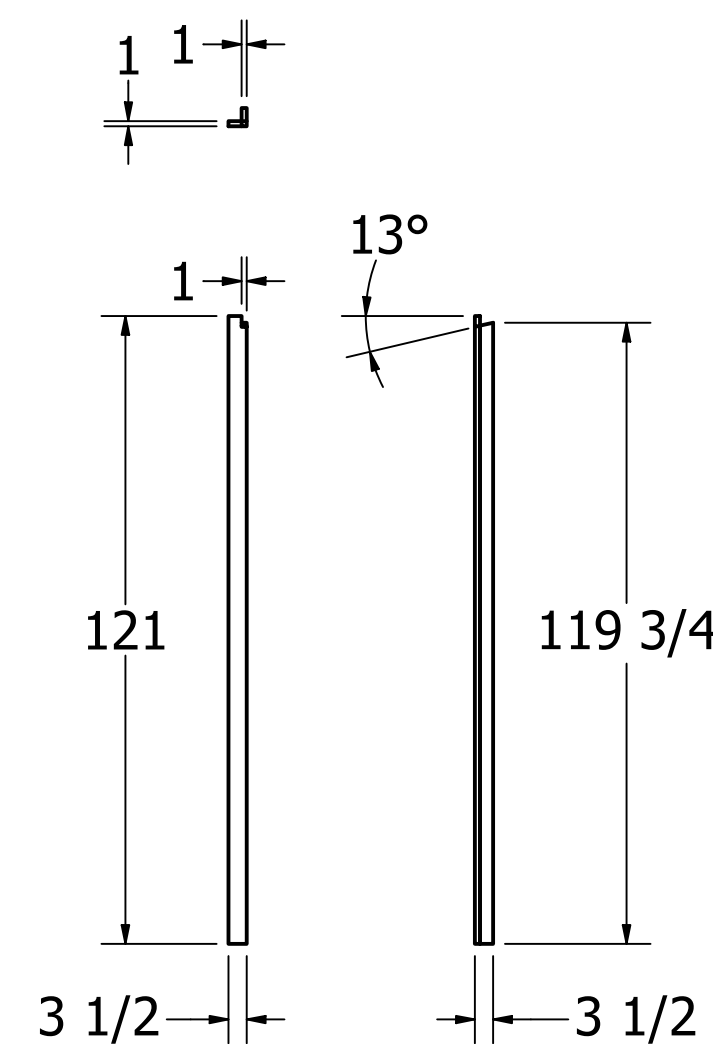
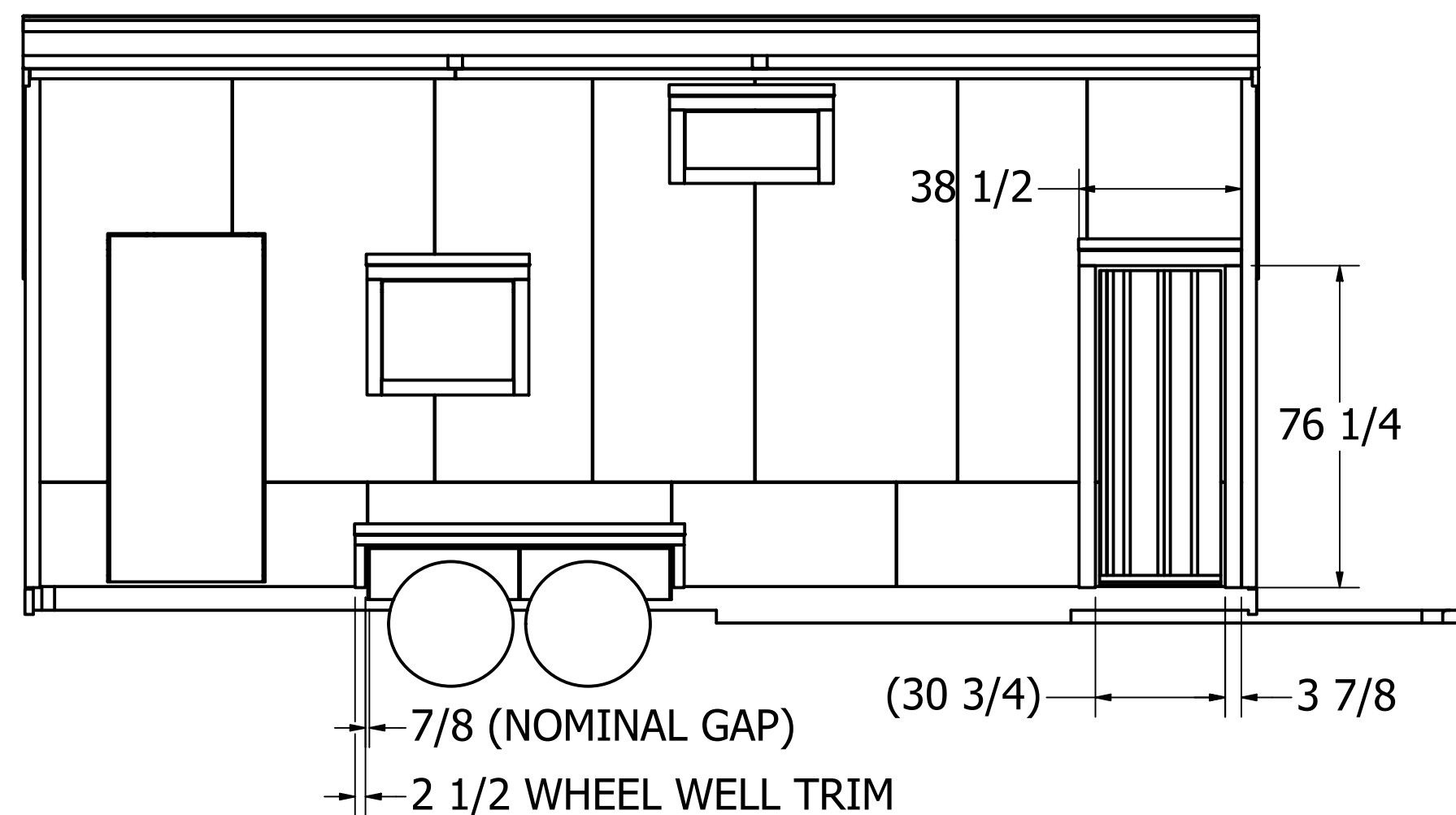
DETAIL AG
LEFT SOFFIT AND METAL FLASHING



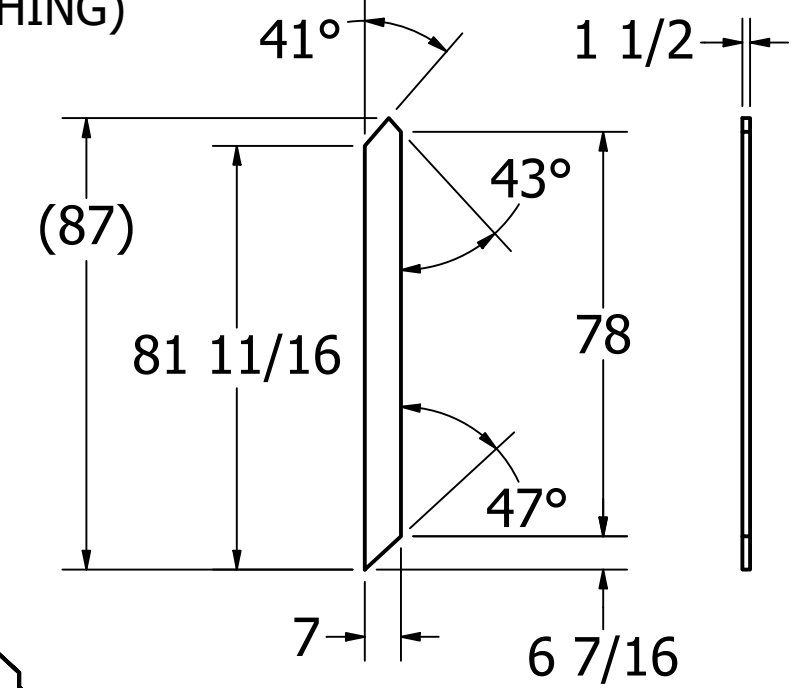
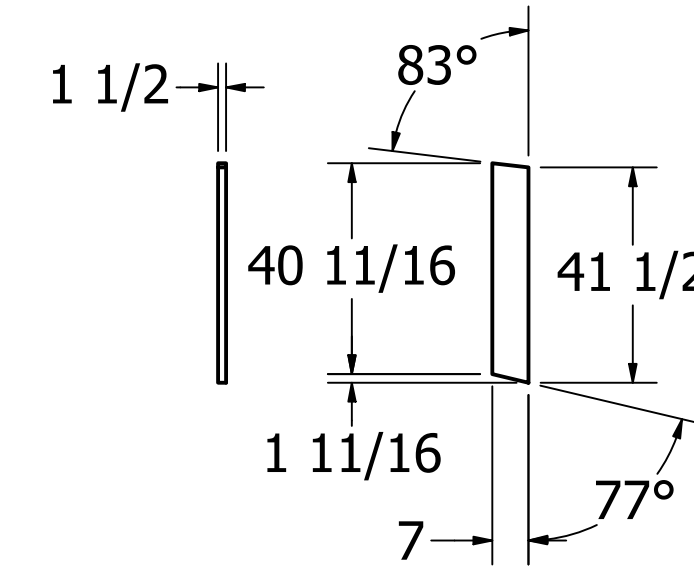
SECTION Y-Y
ICE WATER SHIELD STRIPS (FULL LENGTH OF ROOF OVERLAP TRIM AND FLASHING)



LEFT BACK CORNER TRIM



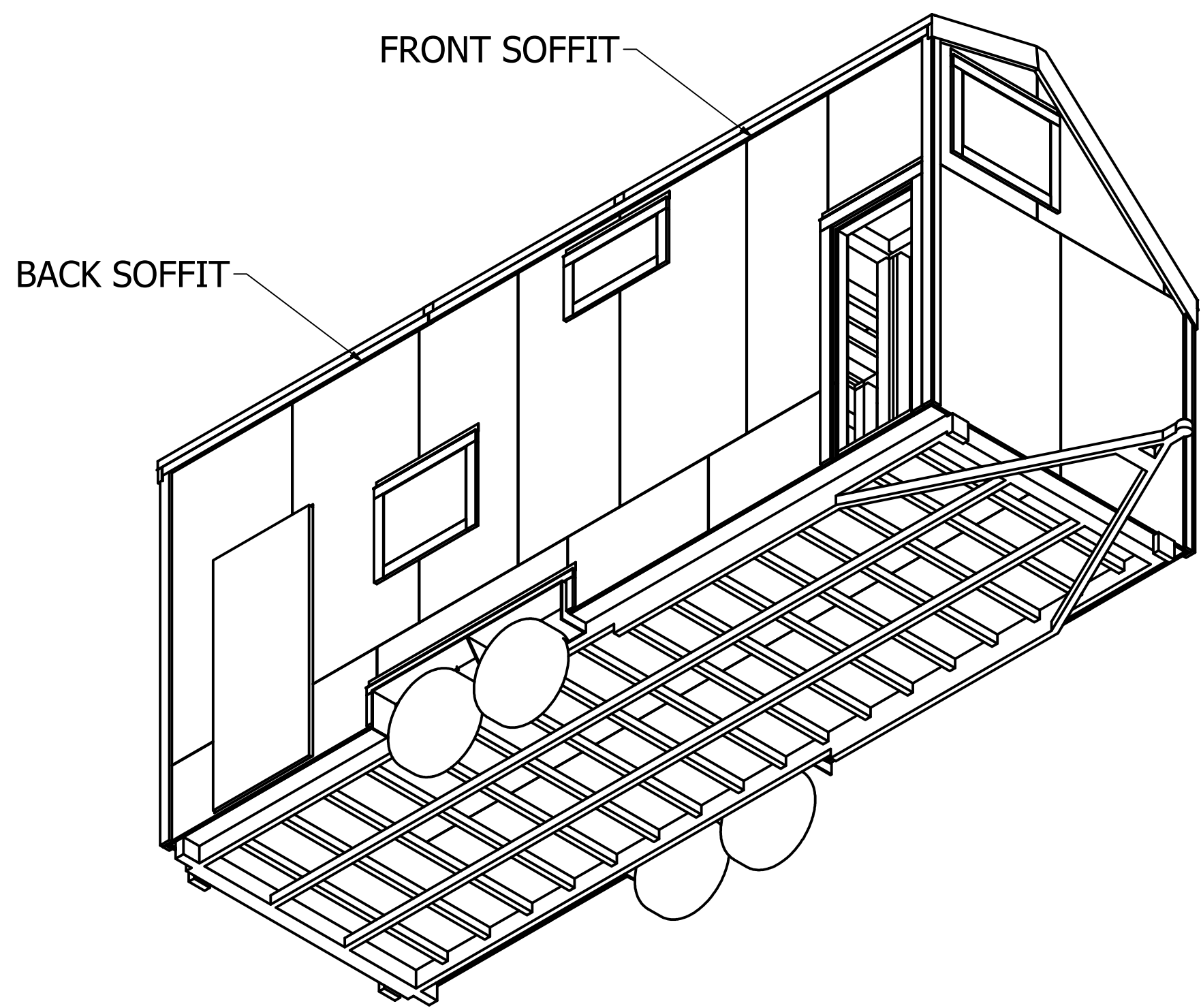
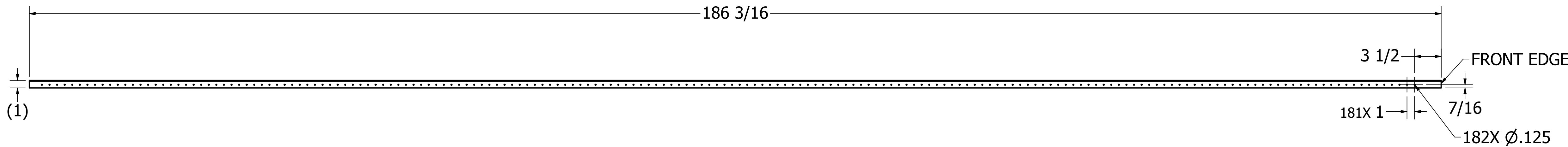
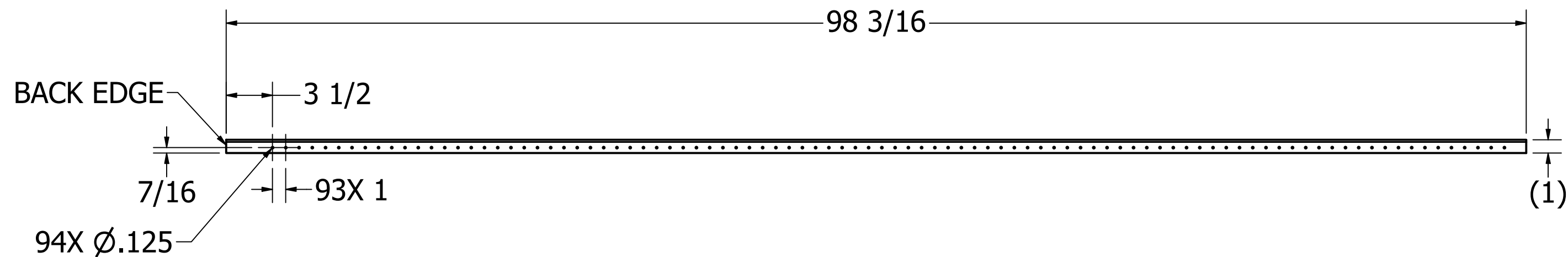
LEFT FRONT CORNER TRIM



| | | | | |
|----------------------------|----------------|-----------|-------------------------|--------------------|
| UNLESS OTHERWISE SPECIFIED | DRAWN ISAAC | 9/11/2022 | TITLE | |
| DIMENSIONS ARE IN INCHES | CHECKED | | SOLARCYLE ONE TINY HOME | |
| TOLERANCES: | QA | | SIZE | DWG NO |
| FRACTIONAL PART: ± 1/16 | MFG | | D | SOLARCYLE TH STEEL |
| FRACTIONAL ASSY: ± 1/8 | APPROVED | | SCALE | REV F |
| ANGLE: ± 1° | COMMENTS: | | | SHEET 9 OF 13 |
| DO NOT SCALE DRAWING | | | | |

PROPRIETARY AND CONFIDENTIAL
THE INFORMATION CONTAINED IN THIS DRAWING IS THE SOLE PROPERTY OF SOLARCYLE LLC. ANY REPRODUCTION IN PART OR AS A WHOLE WITHOUT THE WRITTEN PERMISSION OF SOLARCYLE LLC IS PROHIBITED.

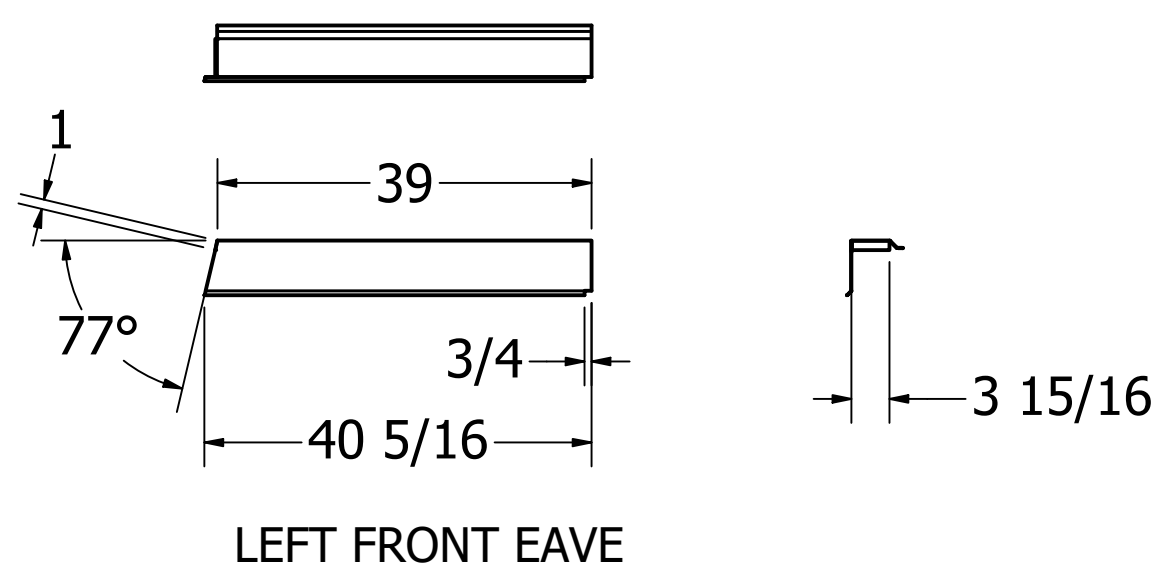
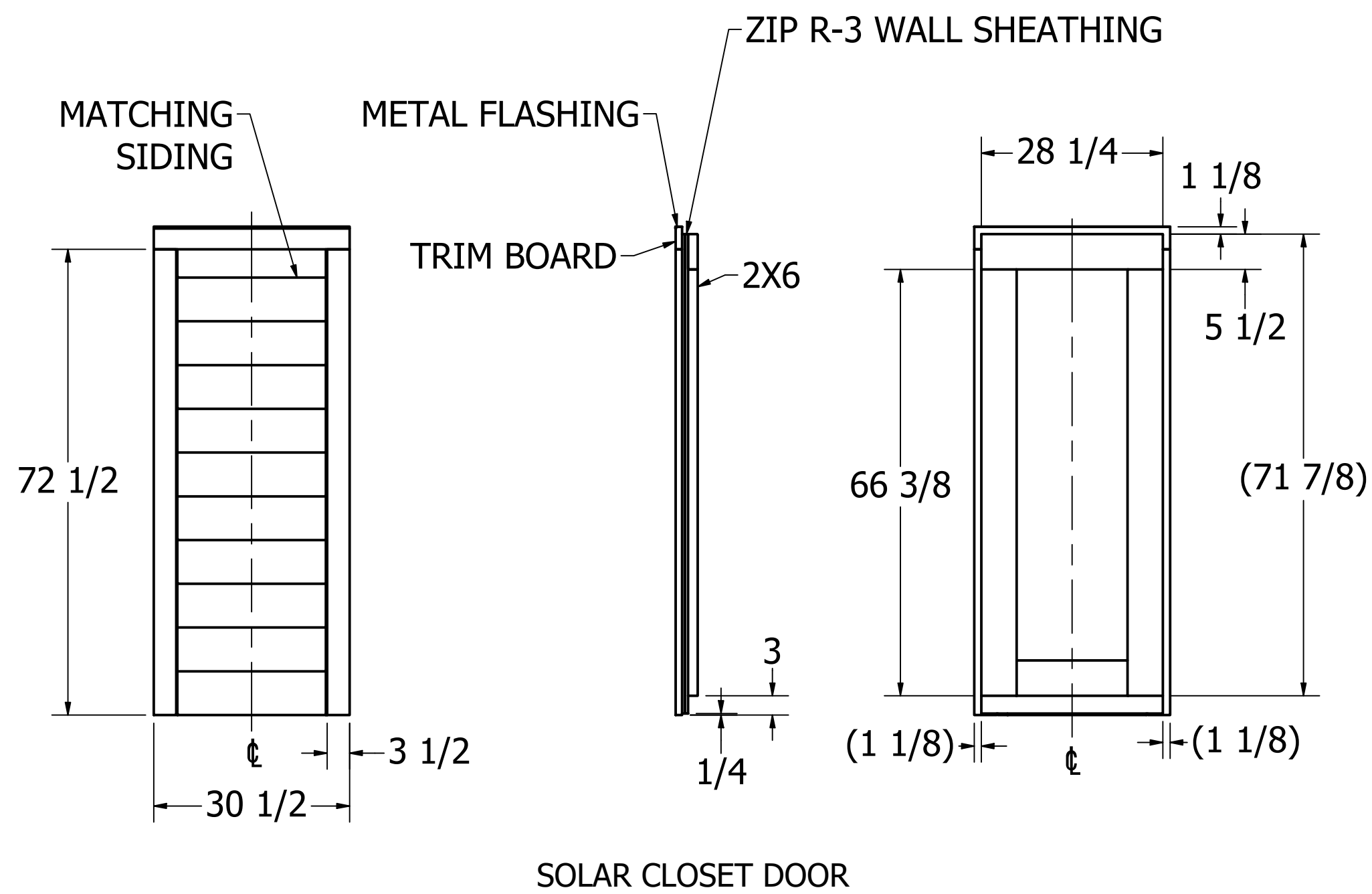
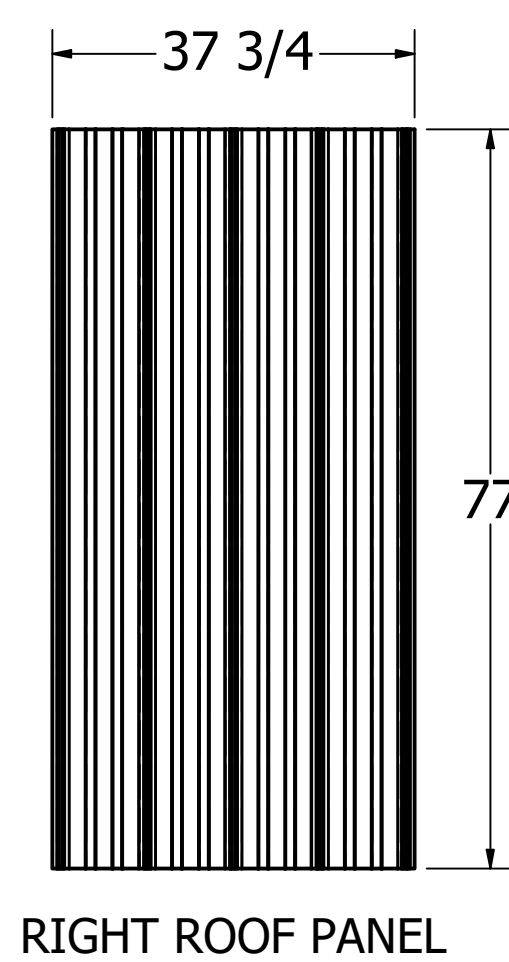
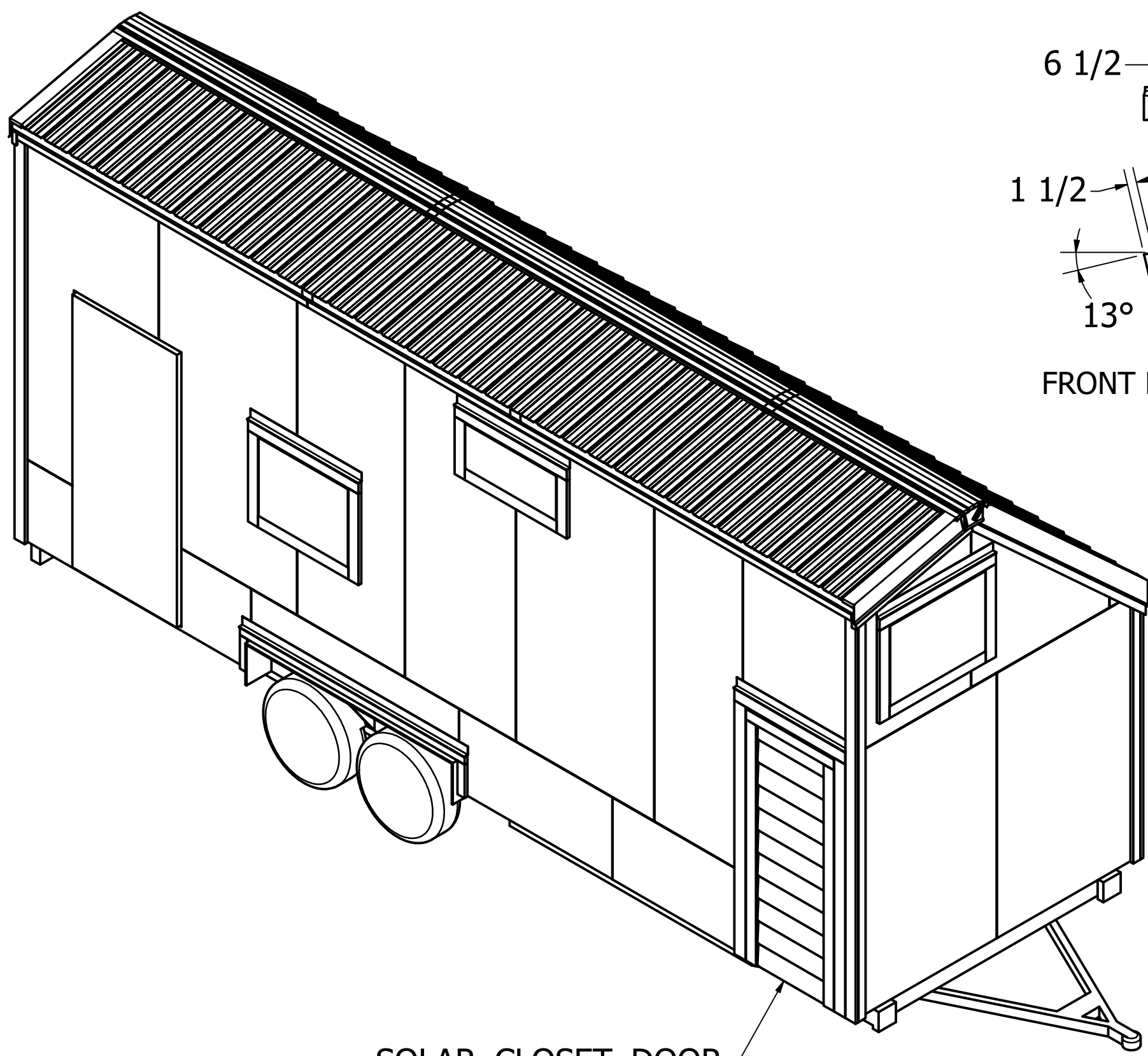
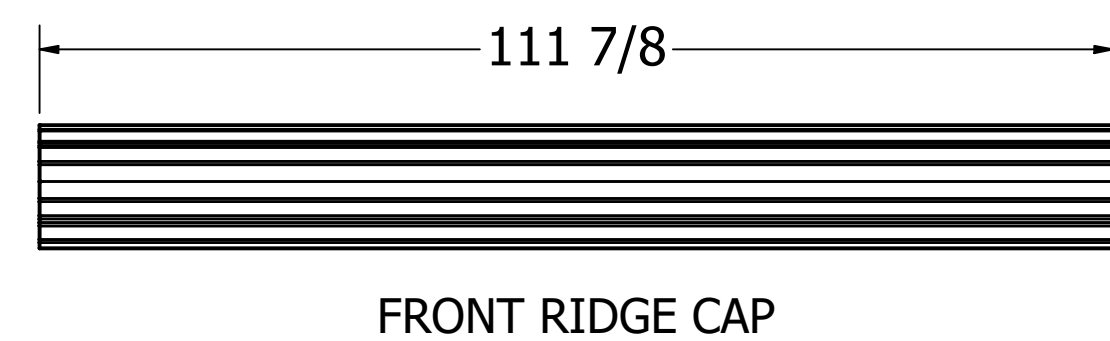
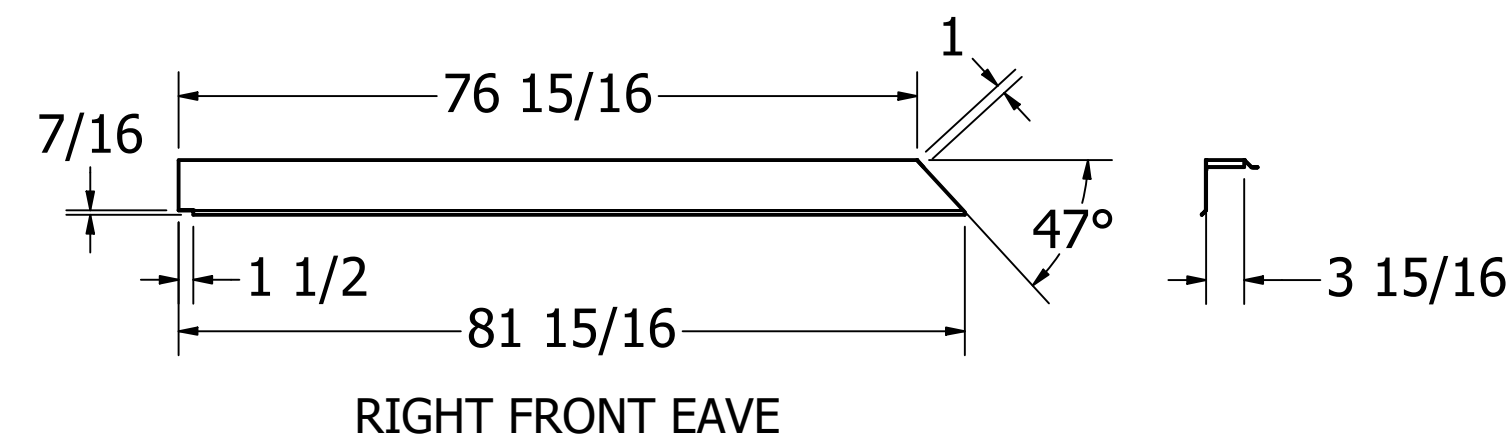
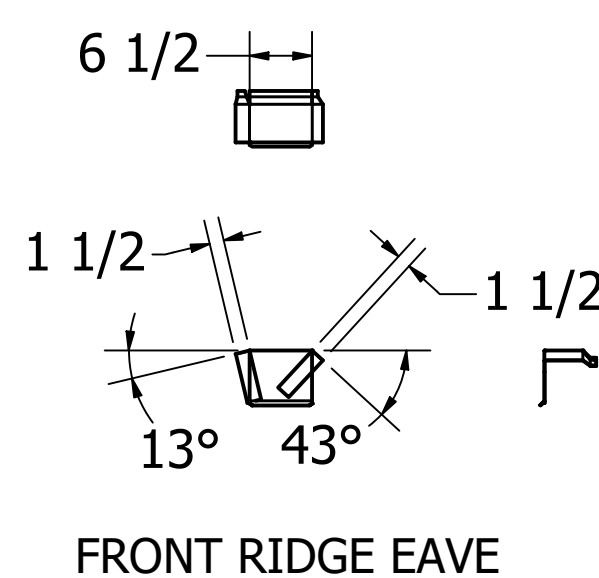
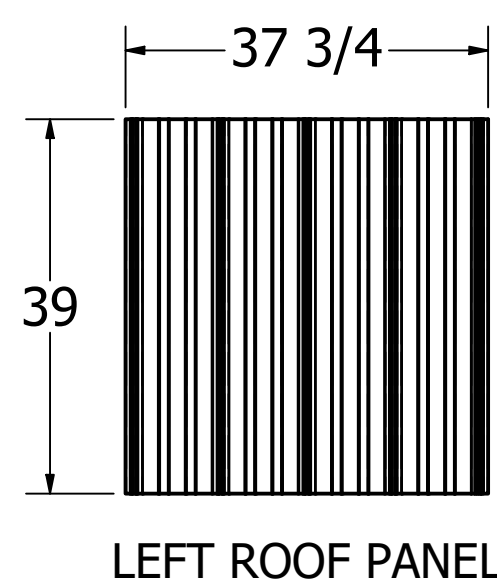
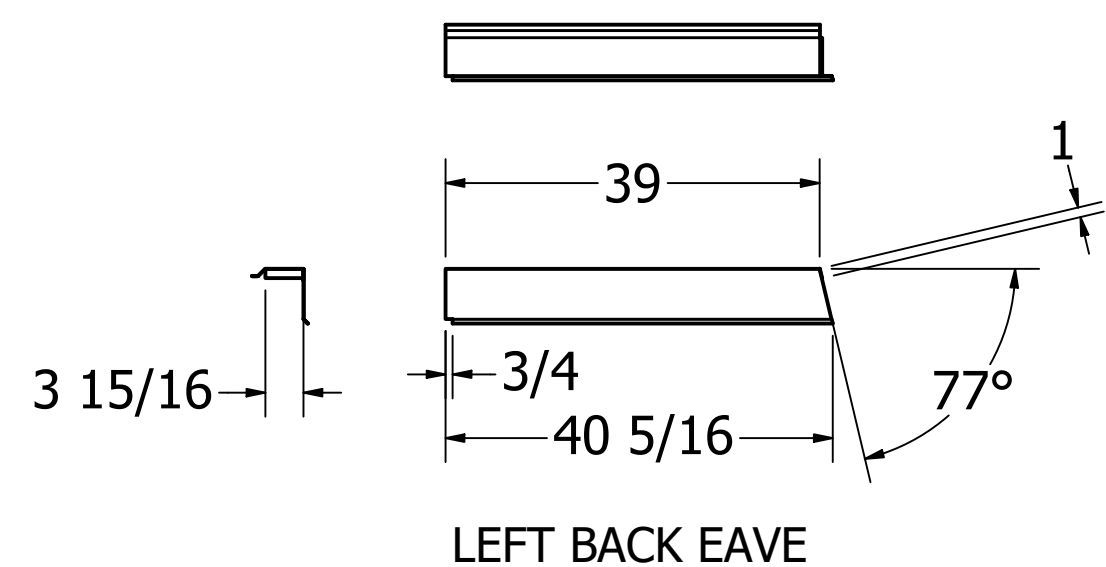
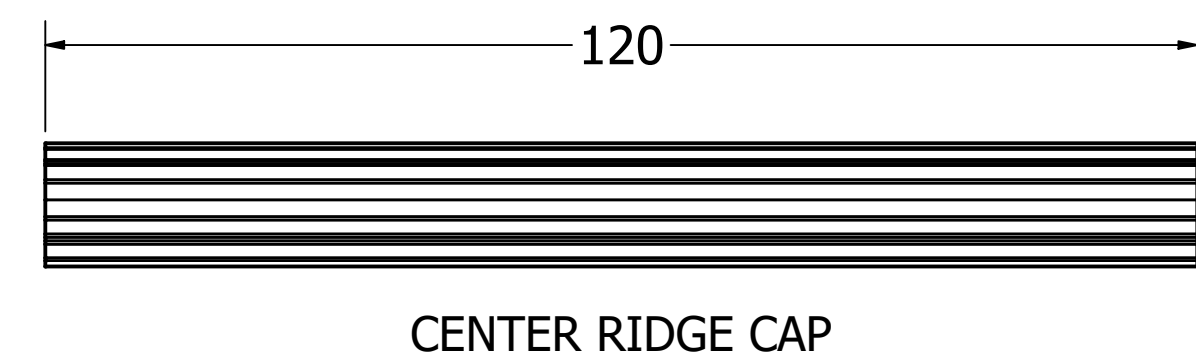
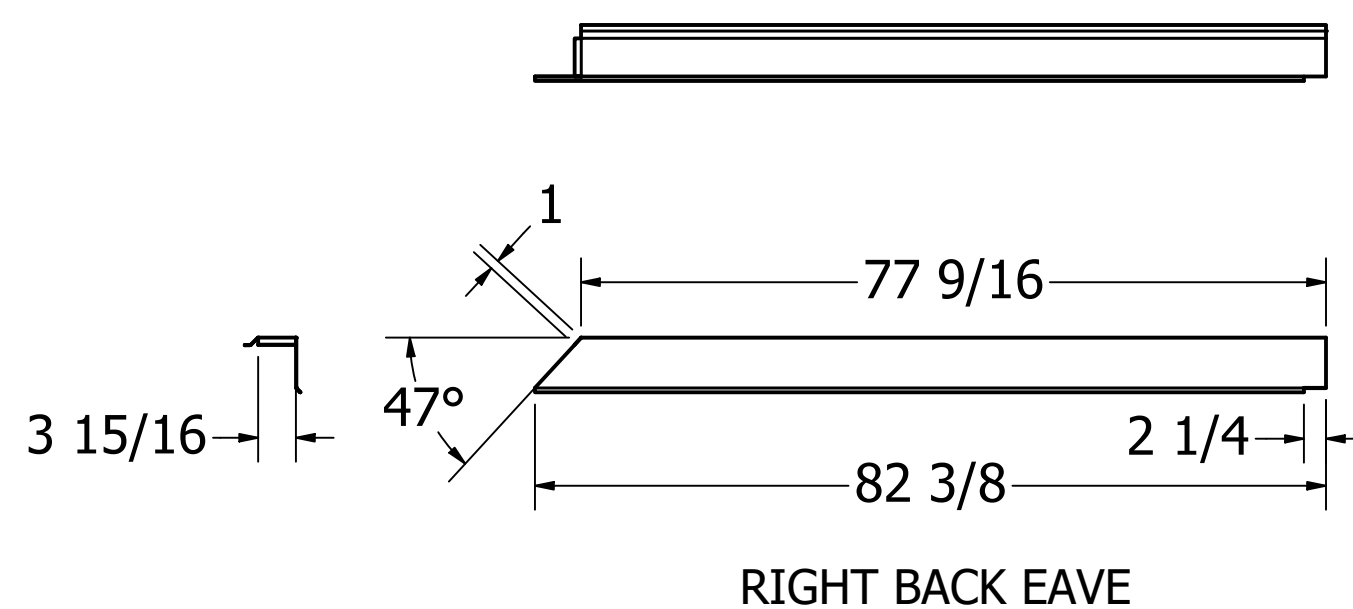
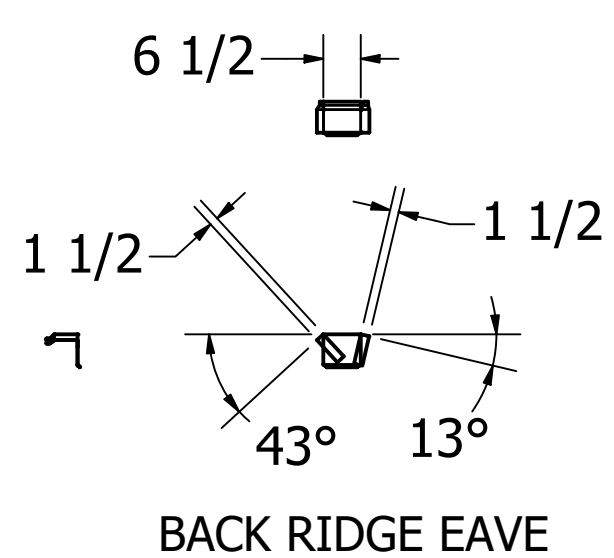
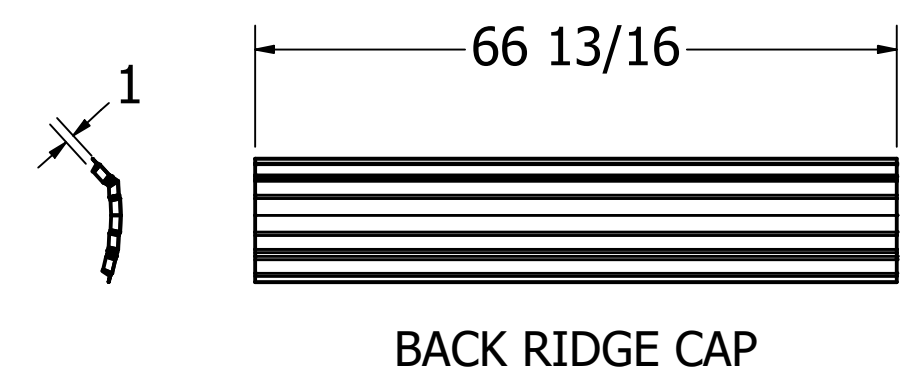
SOFFIT DETAIL



PROPRIETARY AND CONFIDENTIAL
 THE INFORMATION CONTAINED IN THIS DRAWING IS THE SOLE PROPERTY OF SOLARCYCLE LLC. ANY REPRODUCTION IN PART OR AS A WHOLE WITHOUT THE WRITTEN PERMISSION OF SOLARCYCLE LLC IS PROHIBITED.

| | | | | |
|----------------------------|----------------|-----------|--------------------------|---------------------|
| UNLESS OTHERWISE SPECIFIED | DRAWN ISAAC | 9/11/2022 | TITLE | |
| DIMENSIONS ARE IN INCHES | CHECKED | | SOLARCYCLE ONE TINY HOME | |
| TOLERANCES: | QA | | SIZE | DWG NO |
| FRACTIONAL PART: ± 1/16 | MFG | | D | SOLARCYCLE TH STEEL |
| FRACTIONAL ASSY: ± 1/8 | APPROVED | | SCALE | REV |
| ANGLE: ± 1° | COMMENTS: | | | F |
| MATERIAL | | | SHEET 10 OF 13 | |
| FINISH | | | | |
| DO NOT SCALE DRAWING | | | | |

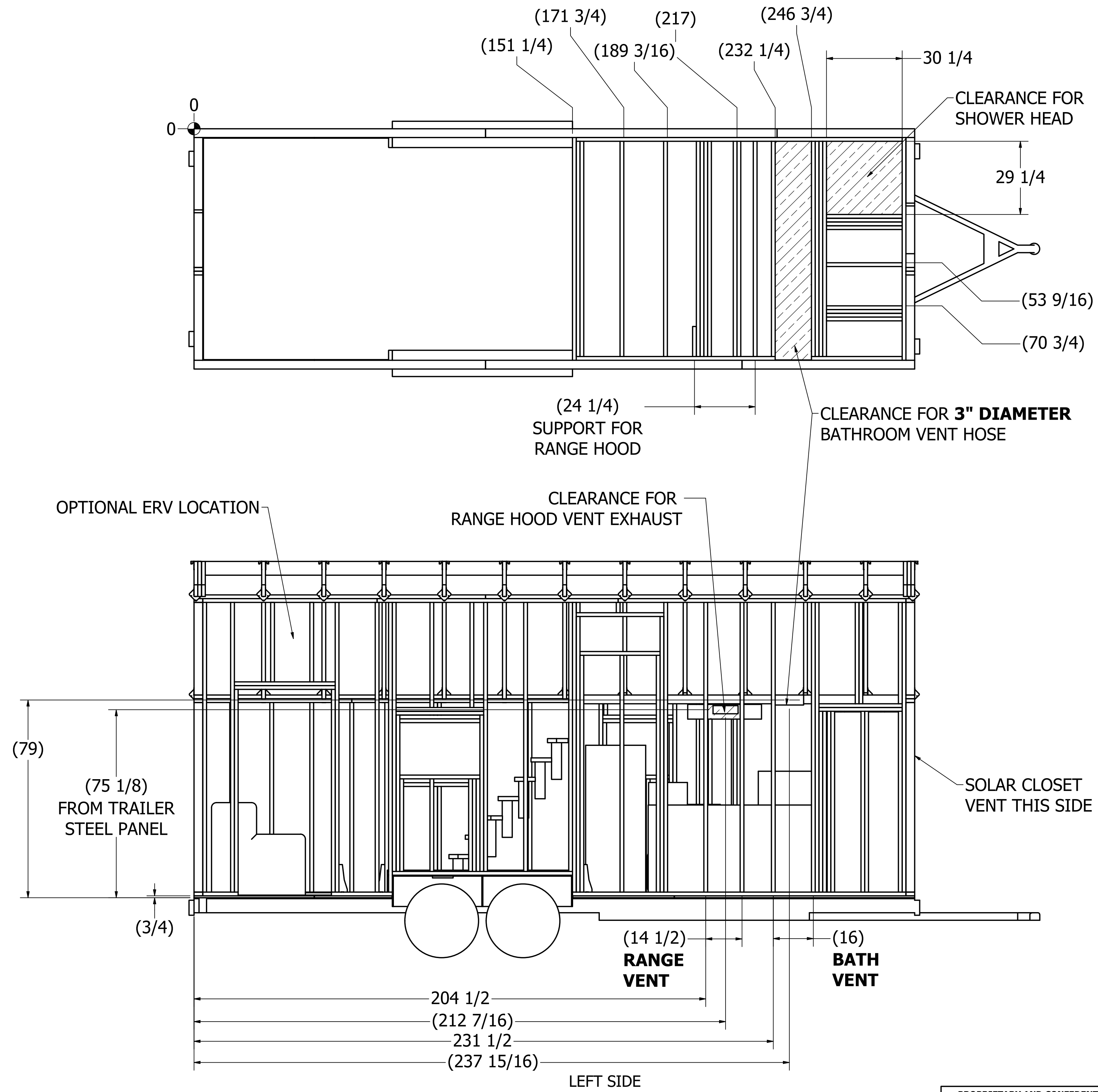
METAL ROOF AND CLOSET DOOR DETAIL (INSTALL PER MANUFACTURER'S INSTRUCTIONS)



PROPRIETARY AND CONFIDENTIAL
THE INFORMATION CONTAINED IN THIS DRAWING IS THE SOLE PROPERTY OF SOLARCYLE LLC. ANY REPRODUCTION IN PART OR AS A WHOLE WITHOUT THE WRITTEN PERMISSION OF SOLARCYLE LLC IS PROHIBITED.

| | | | | |
|---|----------------|-----------|-------------------------|--------------------|
| UNLESS OTHERWISE SPECIFIED | DRAWN ISAAC | 9/11/2022 | TITLE | |
| DIMENSIONS ARE IN INCHES TOLERANCES: FRACTIONAL PART: ± 1/16 FRACTIONAL ASSY: ± 1/8 ANGLE: ± 1° | CHECKED | | SOLARCYLE ONE TINY HOME | |
| MATERIAL | QA | | SIZE | DWG NO |
| FINISH | MFG | | D | SOLARCYLE TH STEEL |
| DO NOT SCALE DRAWING | APPROVED | | SCALE | REV F |
| | COMMENTS: | | | SHEET 11 OF 13 |

TINY HOME VENT DETAILS



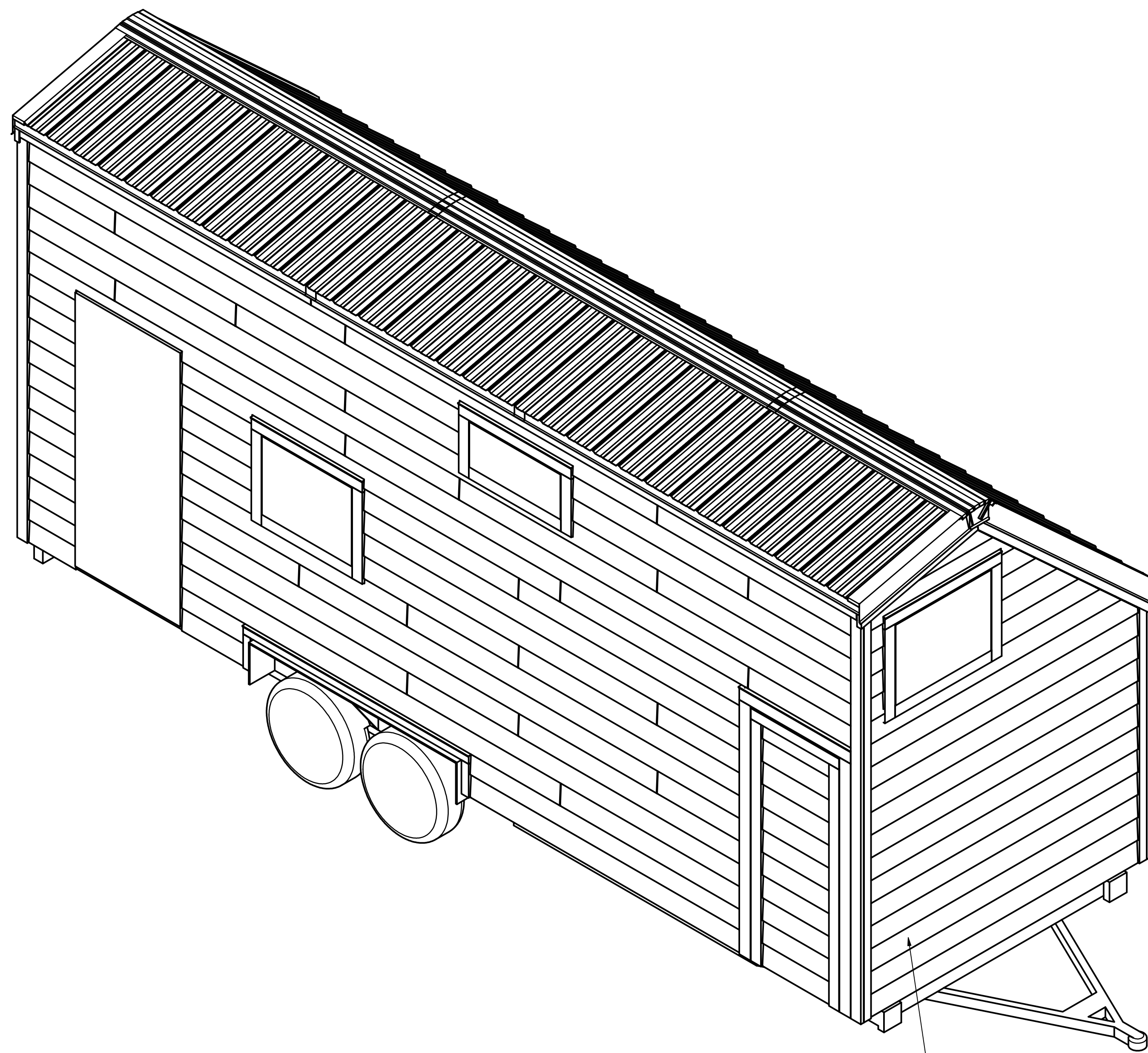
| | | | | |
|----------------------------|----------------|-----------|--------------------------|---------------------|
| UNLESS OTHERWISE SPECIFIED | DRAWN ISAAC | 9/11/2022 | TITLE | |
| DIMENSIONS ARE IN INCHES | CHECKED | | SOLARCYCLE ONE TINY HOME | |
| TOLERANCES: | QA | | SIZE | DWG NO |
| FRACTIONAL PART: ± 1/16 | MFG | | D | SOLARCYCLE TH STEEL |
| FRACTIONAL ASSY: ± 1/8 | APPROVED | | SCALE | REV |
| ANGLE: ± 1° | COMMENTS: | | | F |
| | | | | SHEET 12 OF 13 |

PROPRIETARY AND CONFIDENTIAL

THE INFORMATION CONTAINED IN THIS DRAWING IS THE SOLE PROPERTY OF SOLARCYCLE LLC. ANY REPRODUCTION IN PART OR AS A WHOLE WITHOUT THE WRITTEN PERMISSION OF SOLARCYCLE LLC IS PROHIBITED.

DO NOT SCALE DRAWING

SIDING PER MANUFACTURER'S INSTRUCTIONS
(INTERIOR FINISH AND ELECTRICAL VARIES, NOT SHOWN)



RECOMMENDED ELECTRICAL
CONNECTION LOCATION

PROPRIETARY AND CONFIDENTIAL
THE INFORMATION CONTAINED IN THIS
DRAWING IS THE SOLE PROPERTY OF
SOLARCYLE LLC. ANY REPRODUCTION
IN PART OR AS A WHOLE WITHOUT THE
WRITTEN PERMISSION OF SOLARCYLE LLC IS
PROHIBITED.

| | | | | |
|----------------------------|----------------|-----------|-------------------------|--------------------|
| UNLESS OTHERWISE SPECIFIED | DRAWN ISAAC | 9/11/2022 | TITLE | |
| DIMENSIONS ARE IN INCHES | CHECKED | | SOLARCYLE ONE TINY HOME | |
| TOLERANCES: | QA | | | |
| FRACTIONAL PART: ± 1/16 | MFG | | | |
| FRACTIONAL ASSY: ± 1/8 | APPROVED | | SIZE | DWG NO |
| ANGLE: ± 1° | COMMENTS: | | D | SOLARCYLE TH STEEL |
| MATERIAL | | | SCALE | REV |
| FINISH | | | | F |
| DO NOT SCALE DRAWING | | | | SHEET 13 OF 13 |