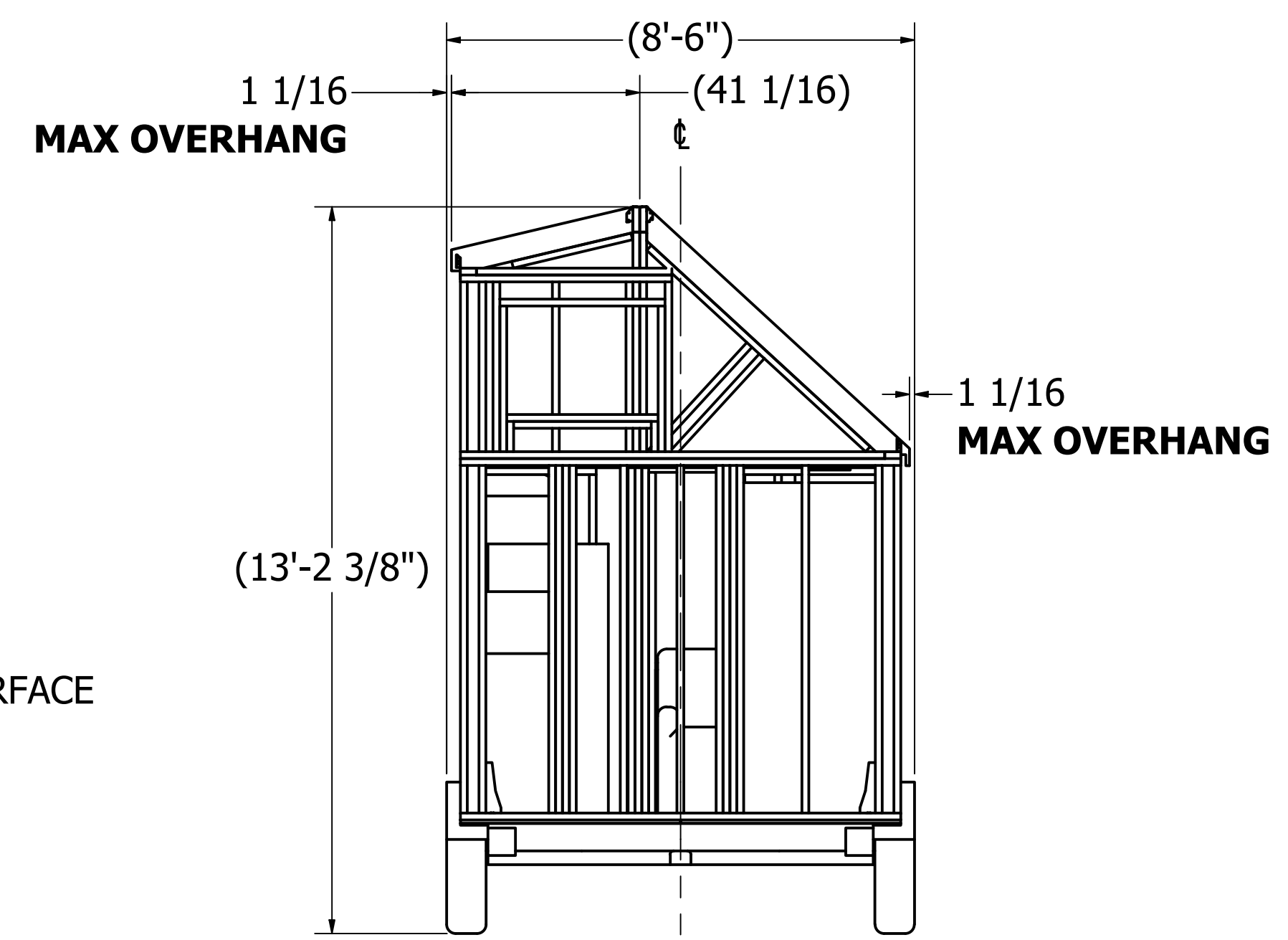
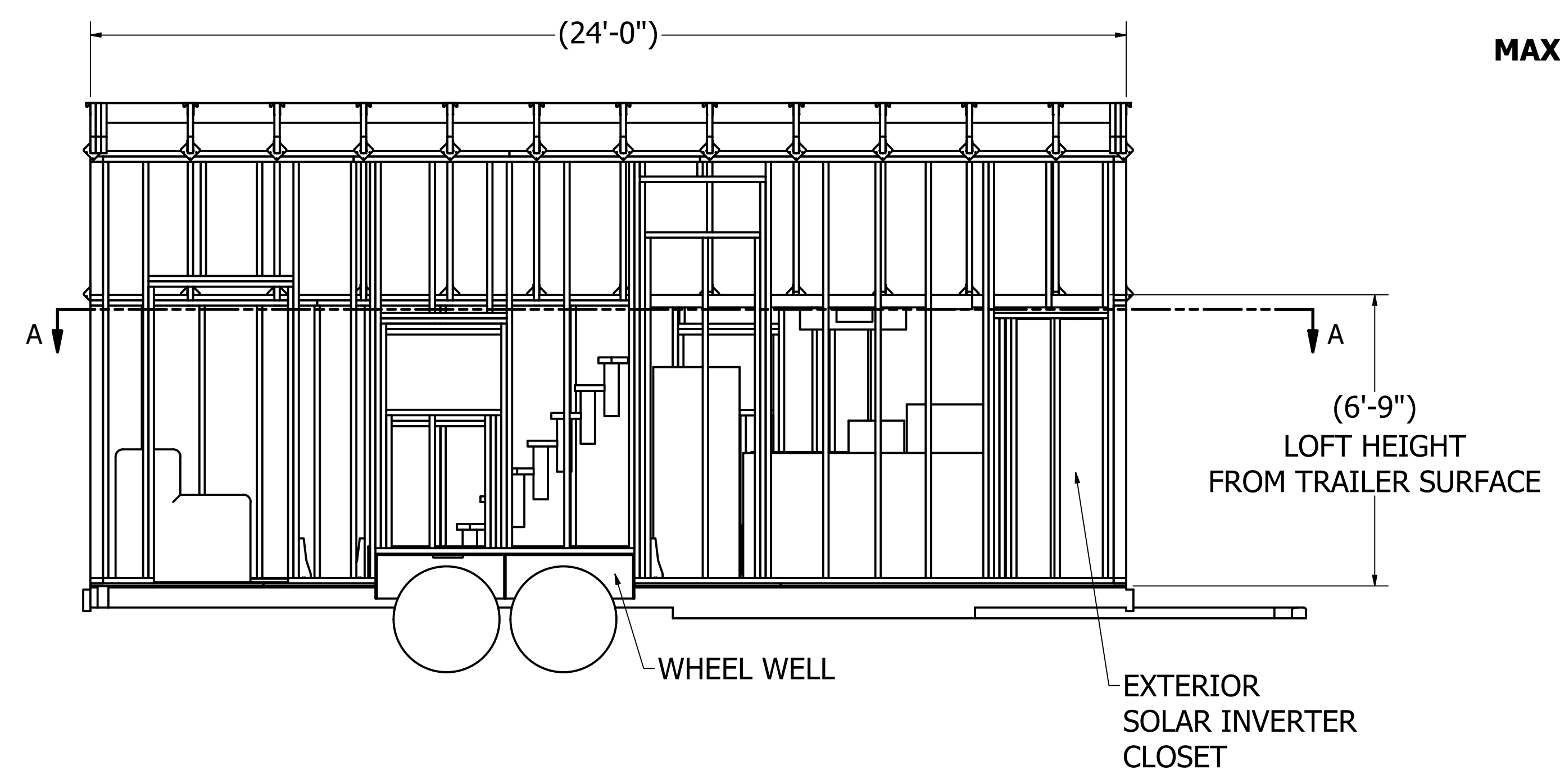
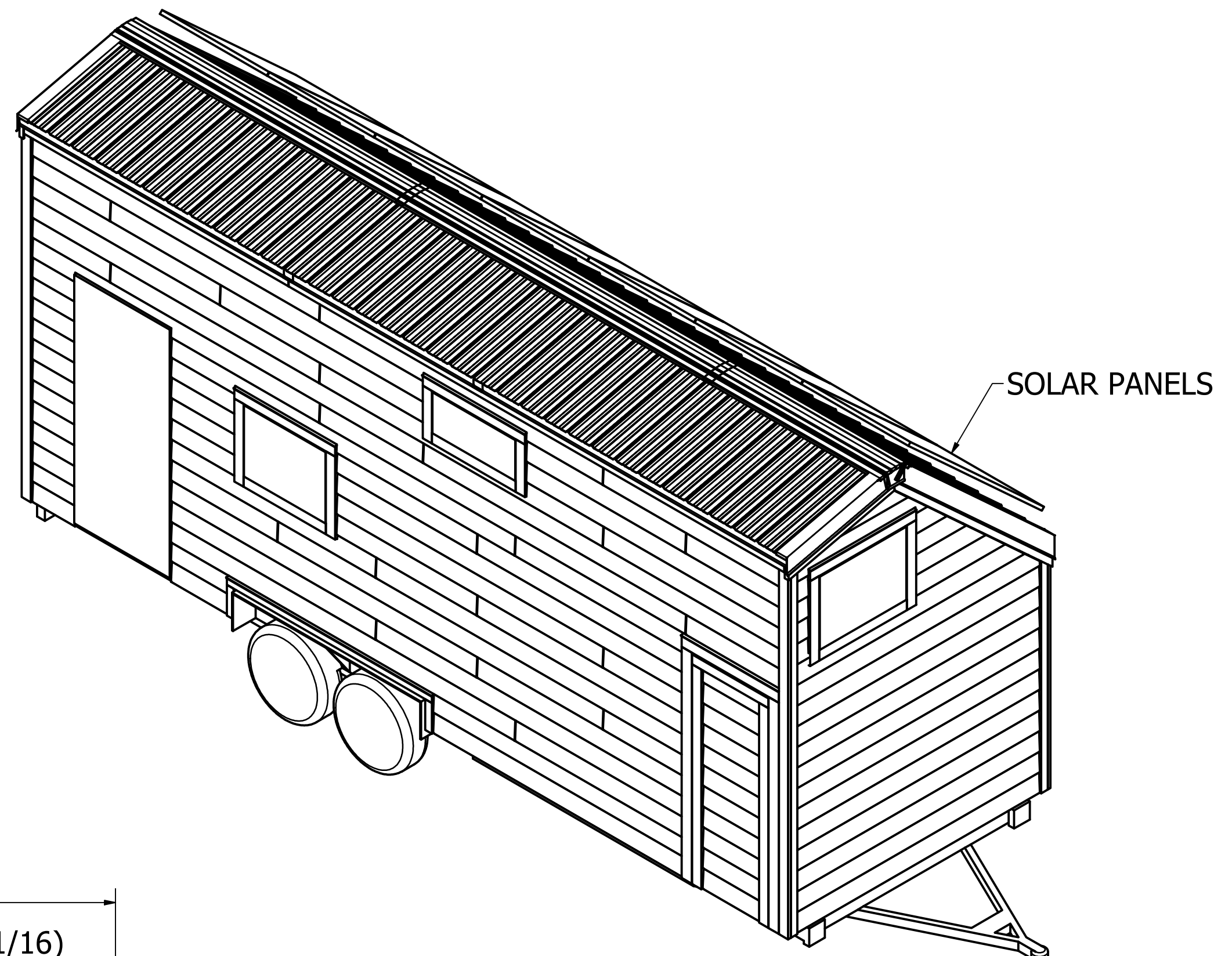
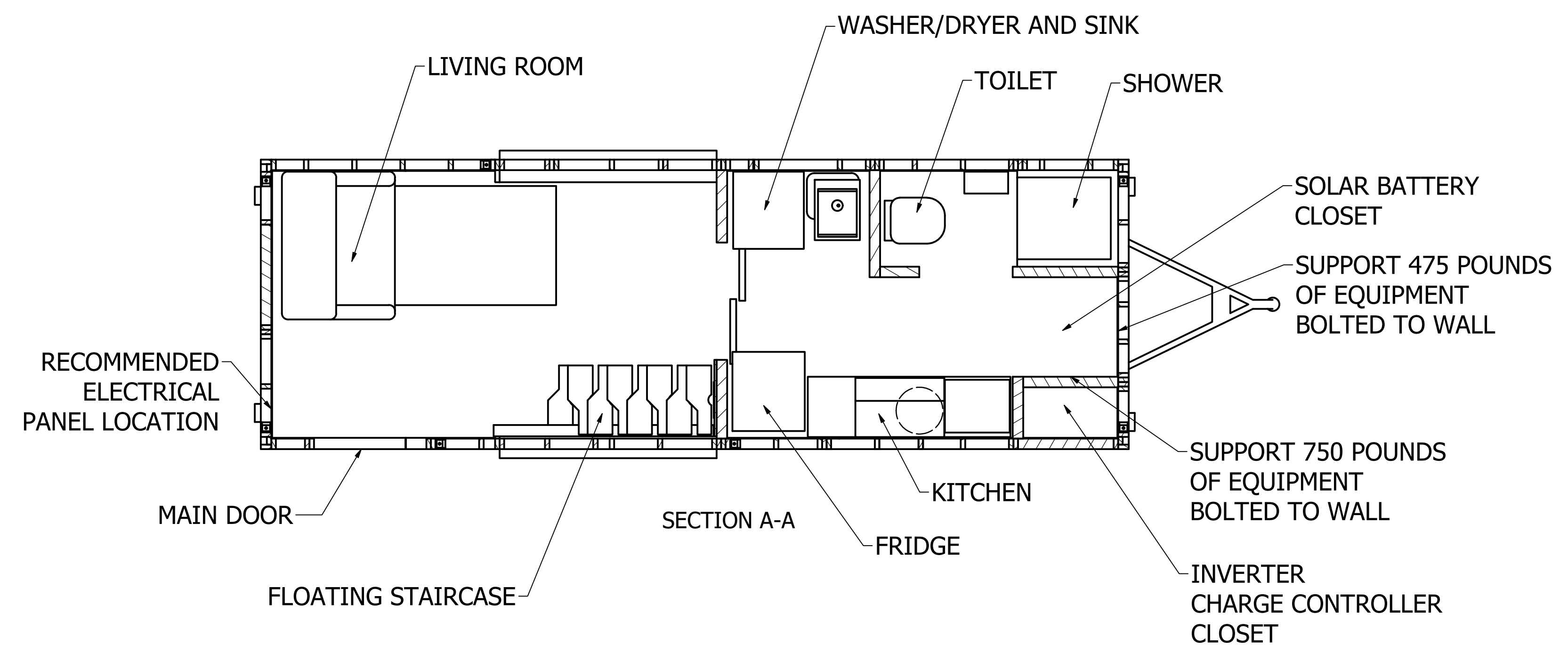


SOLARCYCLE TINY HOME

REVISION HISTORY			
ZONE	REV	DESCRIPTION	DATE
	A	INITIAL RELEASE	9/29/2022
SH1, SHT3-5, SHT12, SHT1 B4, SHT4 A4 B4, SHT5 D7-B4, SH8 B3	B	ADD REQUIRED STUD DIMS, ADD RAFTER AND STUD DIM, ADD/REARRANGE LOFT DIMENSIONS, ADD EGRESS WINDOW OPENING TO LOFT	10/30/2022

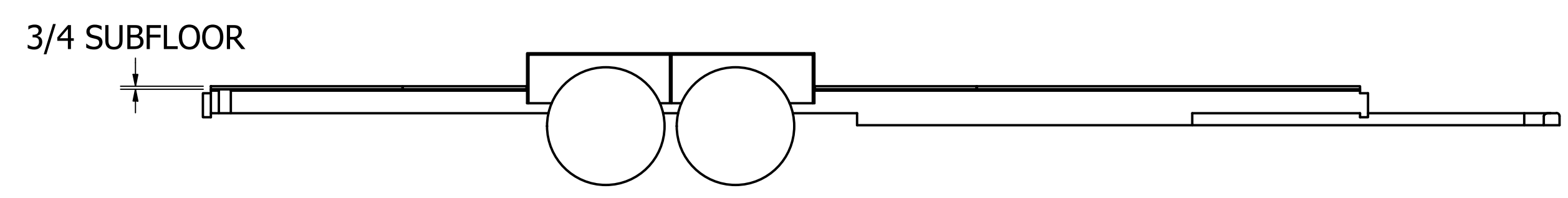
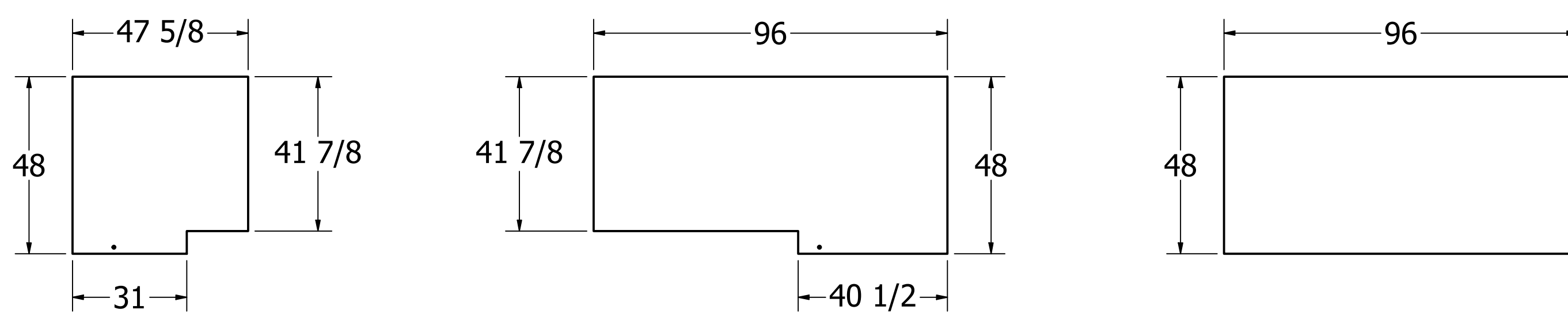
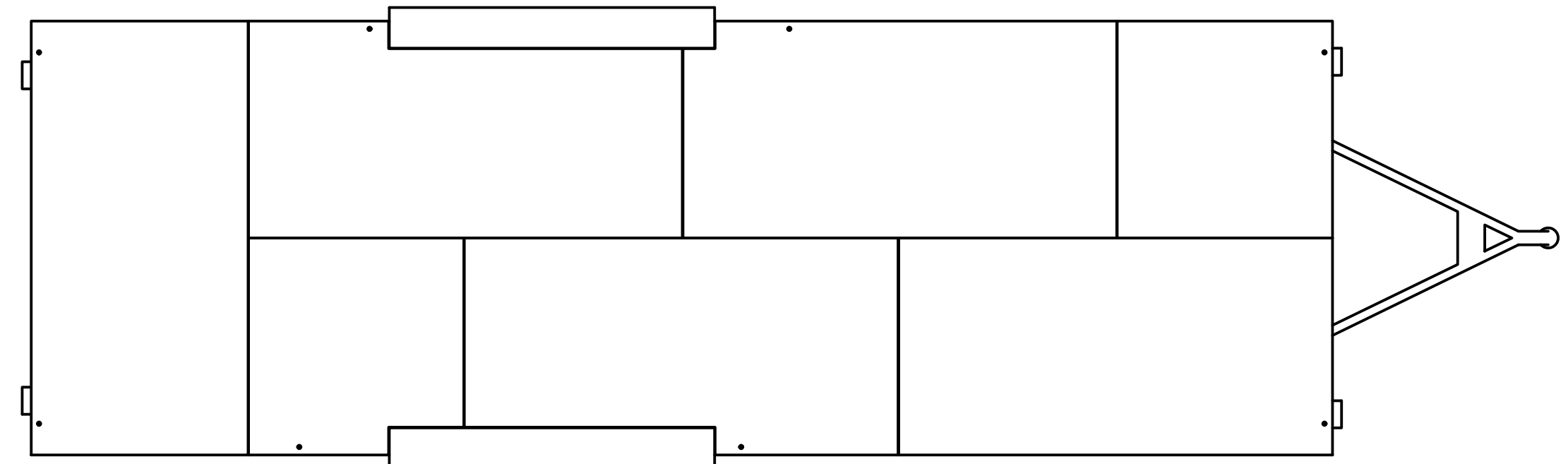
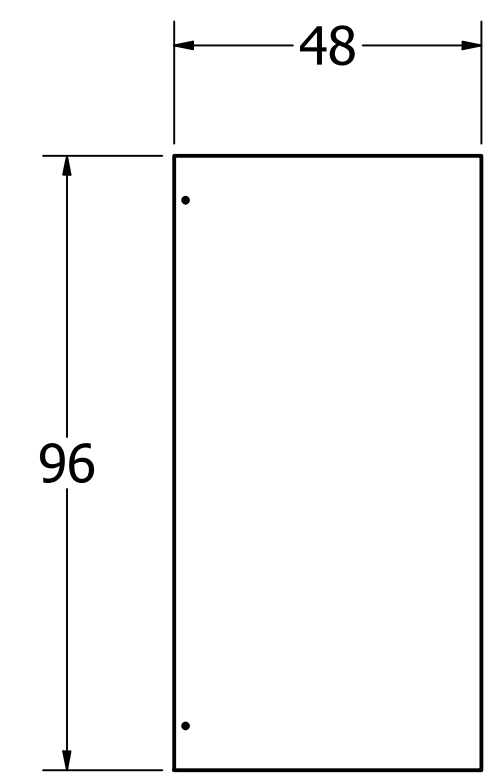
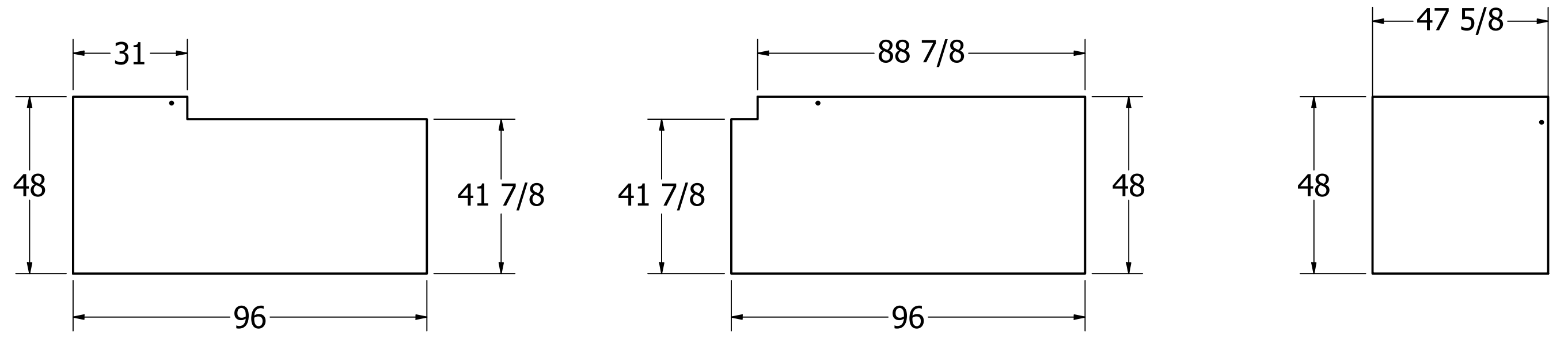
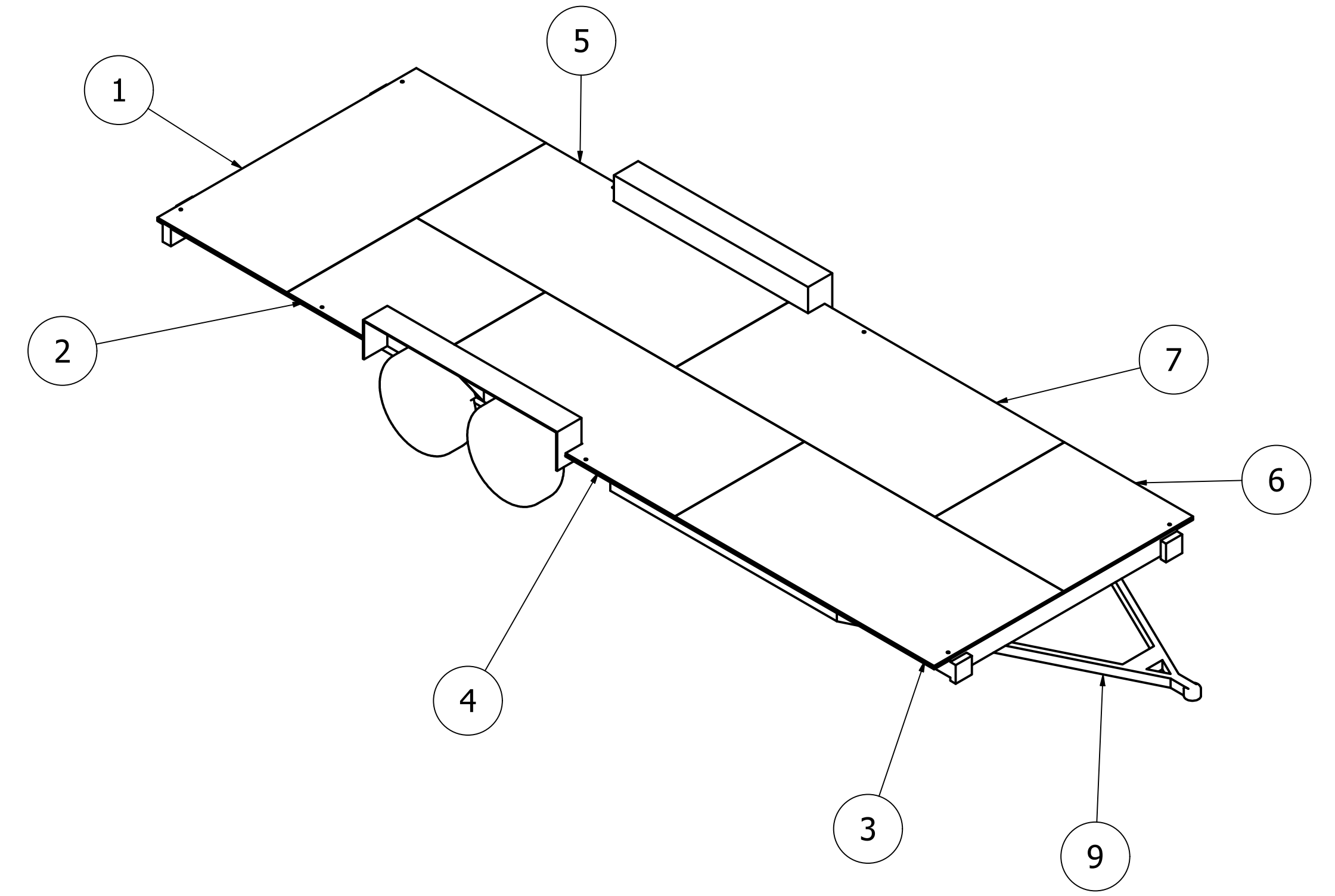


PROPRIETARY AND CONFIDENTIAL

THE INFORMATION CONTAINED IN THIS DRAWING IS THE SOLE PROPERTY OF SOLARCYCLE LLC. ANY REPRODUCTION IN PART OR AS A WHOLE WITHOUT THE WRITTEN PERMISSION OF SOLARCYCLE LLC IS PROHIBITED.

UNLESS OTHERWISE SPECIFIED DIMENSIONS ARE IN INCHES TOLERANCES: FRACTIONAL PART: ± 1/16 FRACTIONAL ASSY: ± 1/8 ANGLE: ± 1°	DRAWN ISAAC CHECKED QA MFG	9/11/2022	TITLE
MATERIAL	APPROVED		SOLARCYCLE ONE TINY HOME
FINISH	COMMENTS:		SIZE D
DO NOT SCALE DRAWING			DWG NO SOLARCYCLE TH WD STDS REV B
			SCALE SHEET 1 OF 13

SUBFLOOR



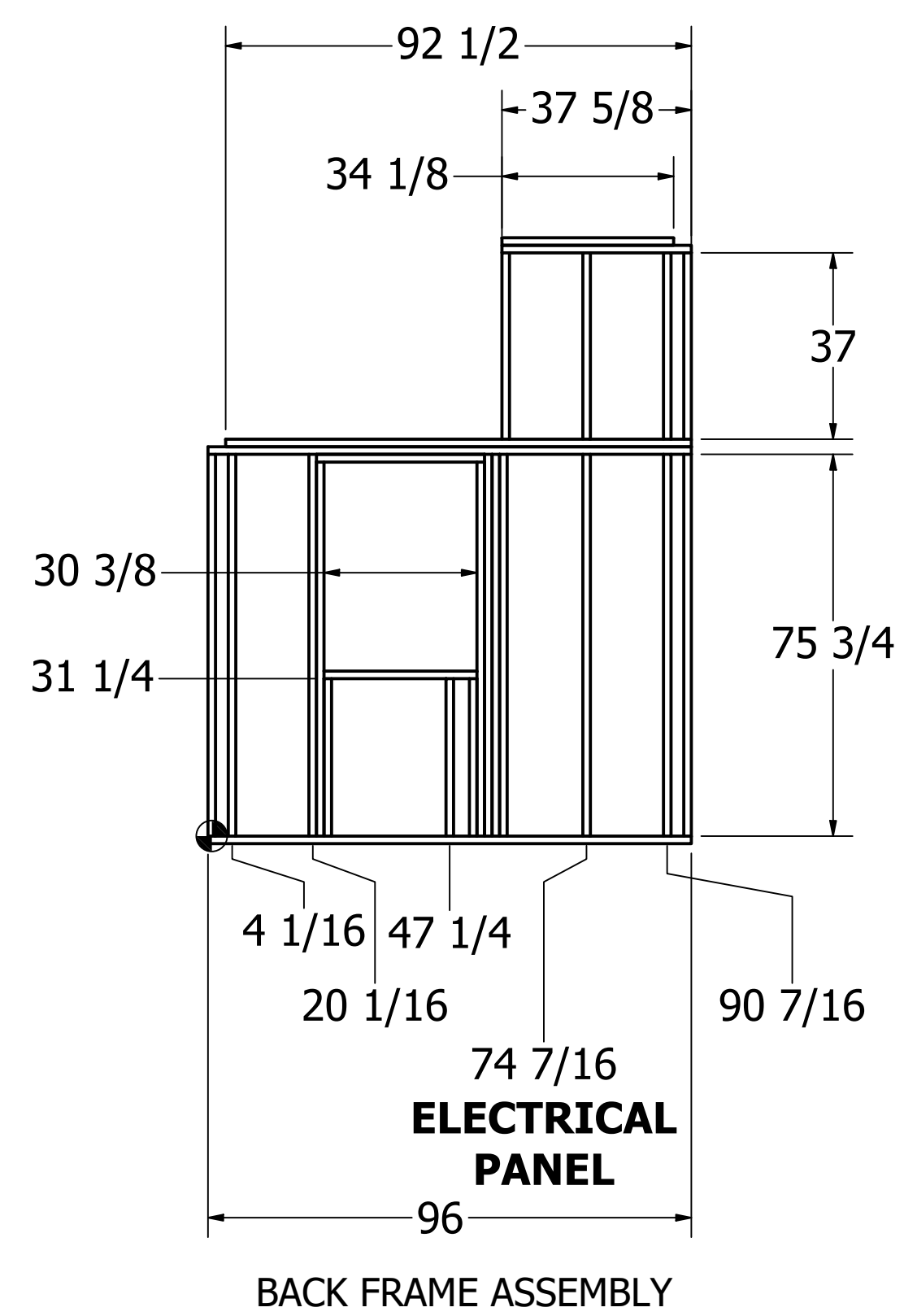
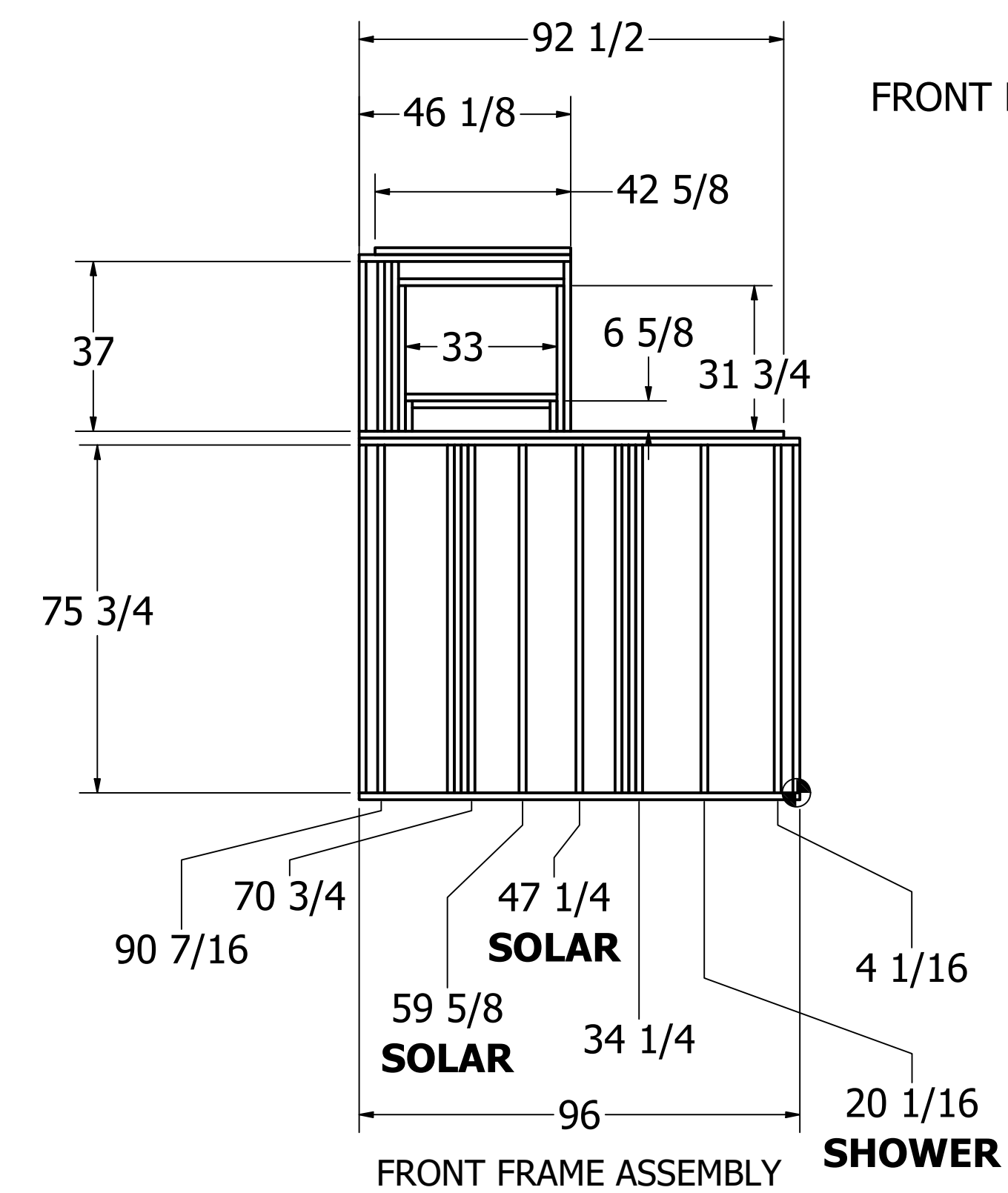
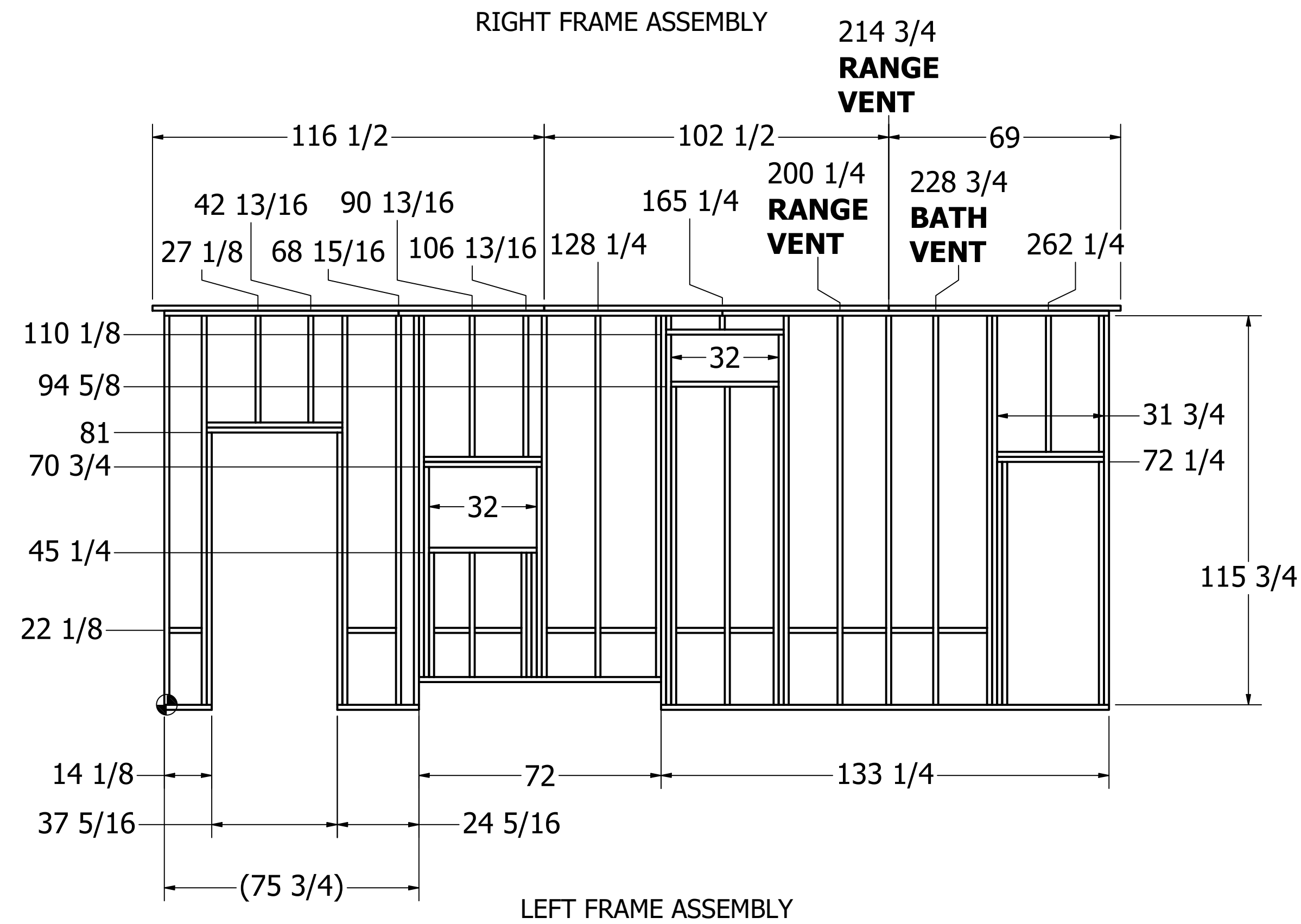
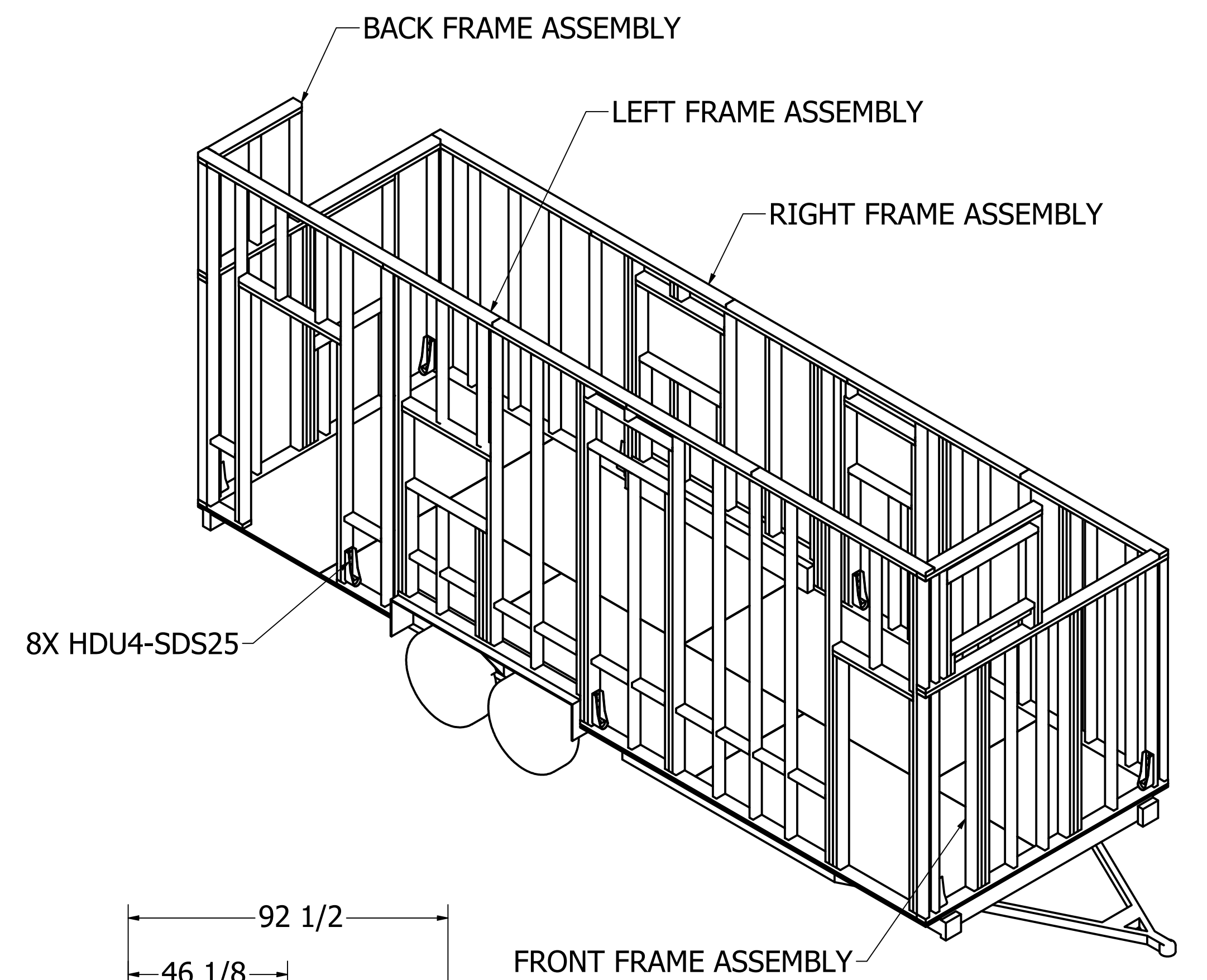
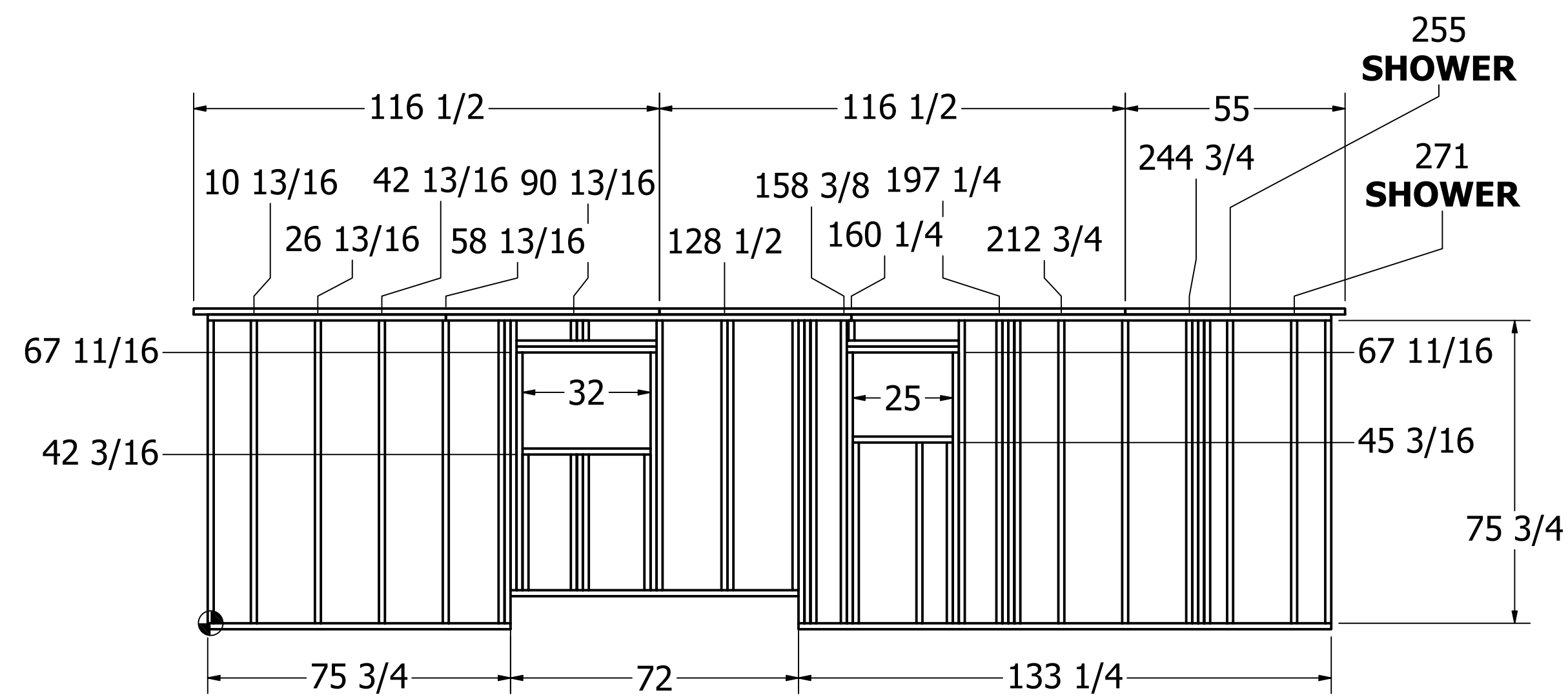
PARTS LIST		
ITEM	QTY	PART NUMBER
1	1	3_4_SUBFLOOR_B 24FT
2	1	3_4_SUBFLOOR_LB 24FT
3	1	3_4_SUBFLOOR_LF 24FT
4	1	3_4_SUBFLOOR_LM 24FT
5	1	3_4_SUBFLOOR_RB 24FT
6	1	3_4_SUBFLOOR_RF 24FT
7	1	3_4_SUBFLOOR_RM 24FT
9	1	TM-TH-24-F9

UNLESS OTHERWISE SPECIFIED	DRAWN	9/11/2022
DIMENSIONS ARE IN INCHES	ISAAC	
TOLERANCES:	CHECKED	
FRACTIONAL PART: ± 1/16	QA	
FRACTIONAL ASSY: ± 1/8	MFG	
ANGLE: ± 1°	APPROVED	
MATERIAL	COMMENTS:	
FINISH		
DO NOT SCALE DRAWING		

PROPRIETARY AND CONFIDENTIAL
 THE INFORMATION CONTAINED IN THIS DRAWING IS THE SOLE PROPERTY OF SOLARCYCLE LLC. ANY REPRODUCTION IN PART OR AS A WHOLE WITHOUT THE WRITTEN PERMISSION OF SOLARCYCLE LLC IS PROHIBITED.

TITLE		
SOLARCYCLE ONE TINY HOME		
SIZE	DWG NO	REV
D	SOLARCYCLE TH WD STDS	B
SCALE	SHEET 2 OF 13	

2X4 FRAME ASSEMBLIES

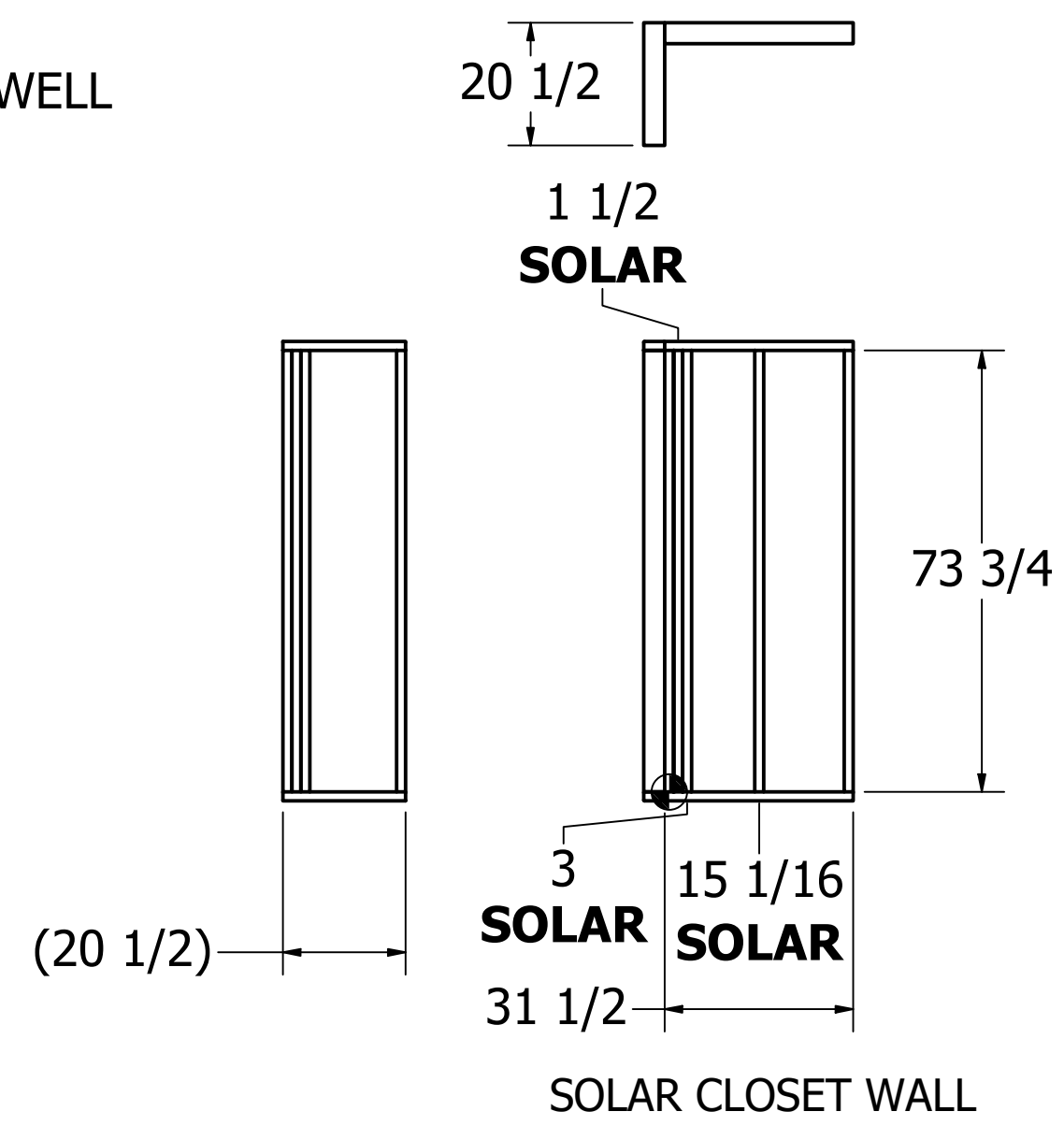
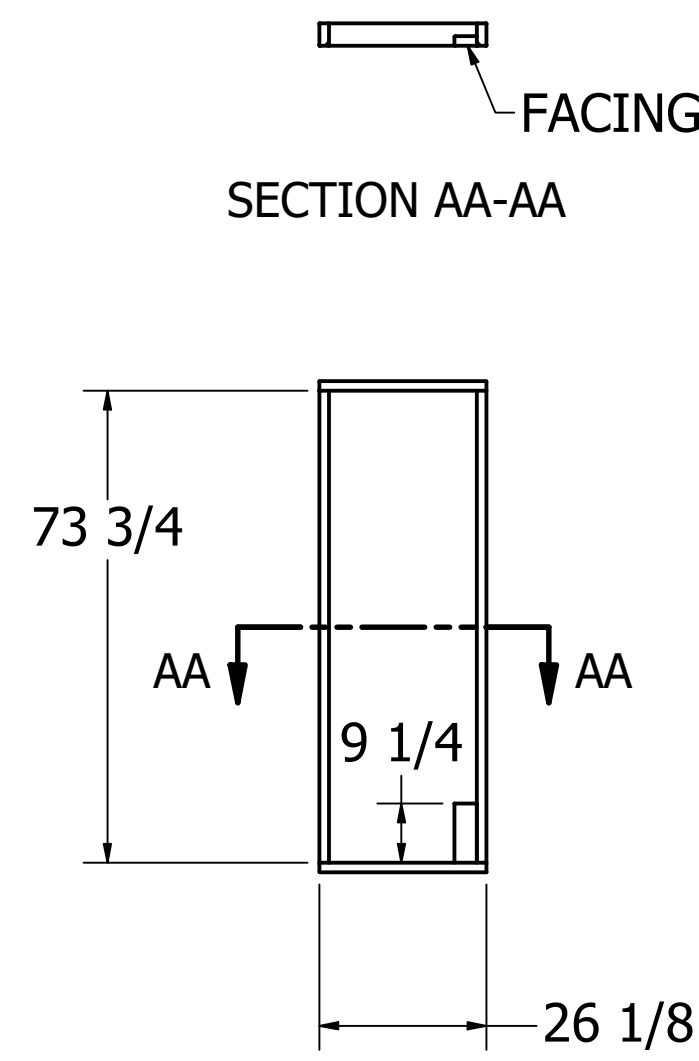
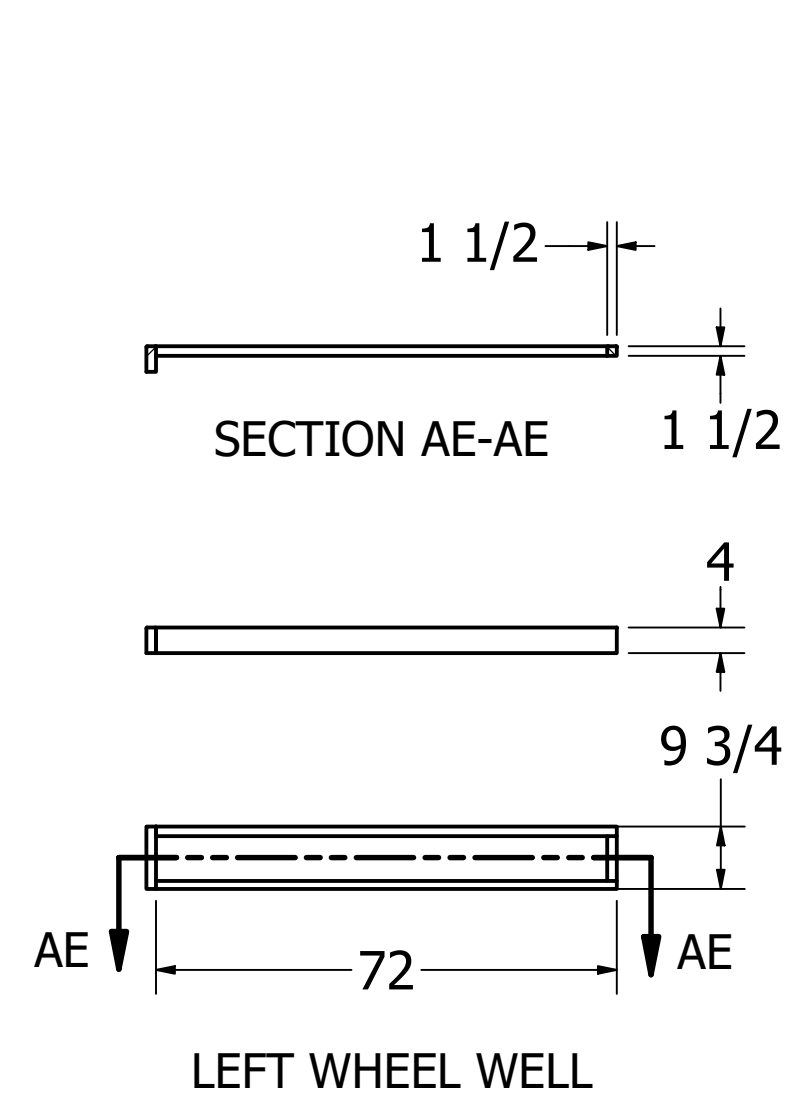
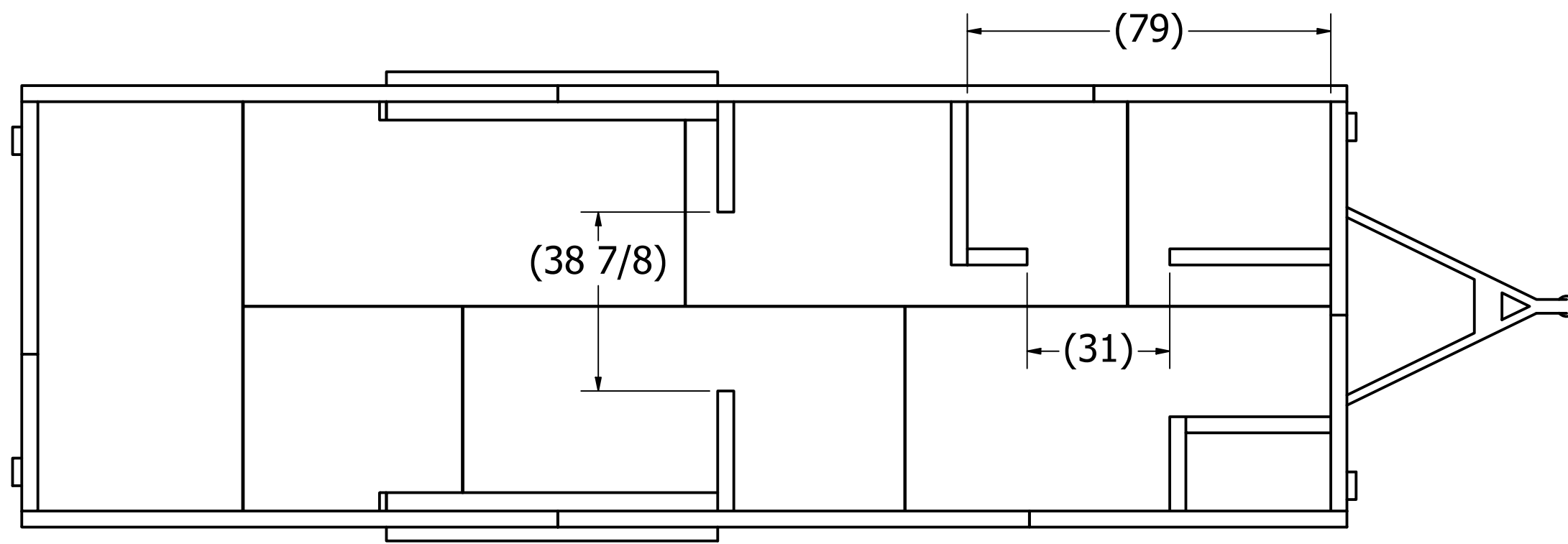
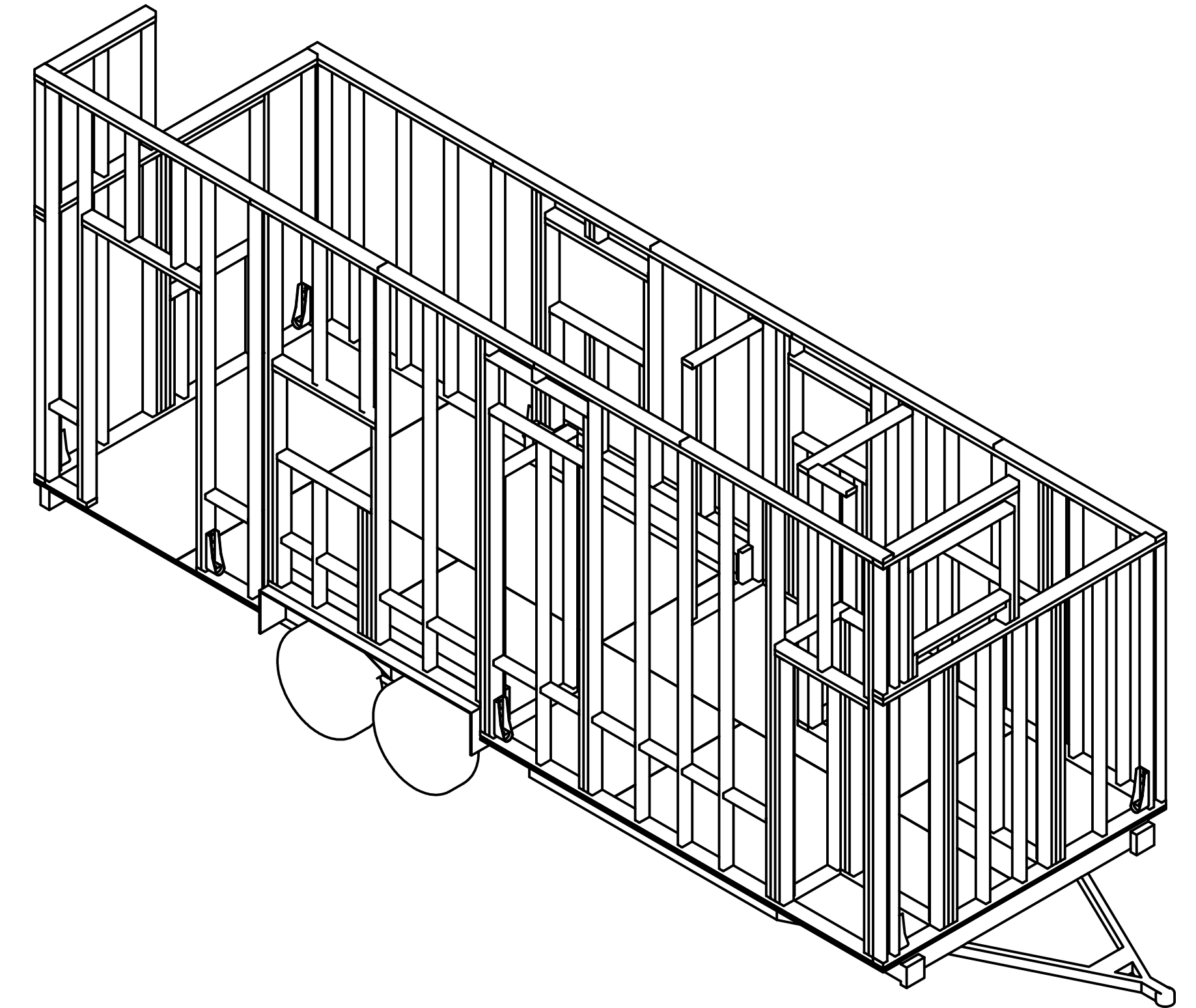
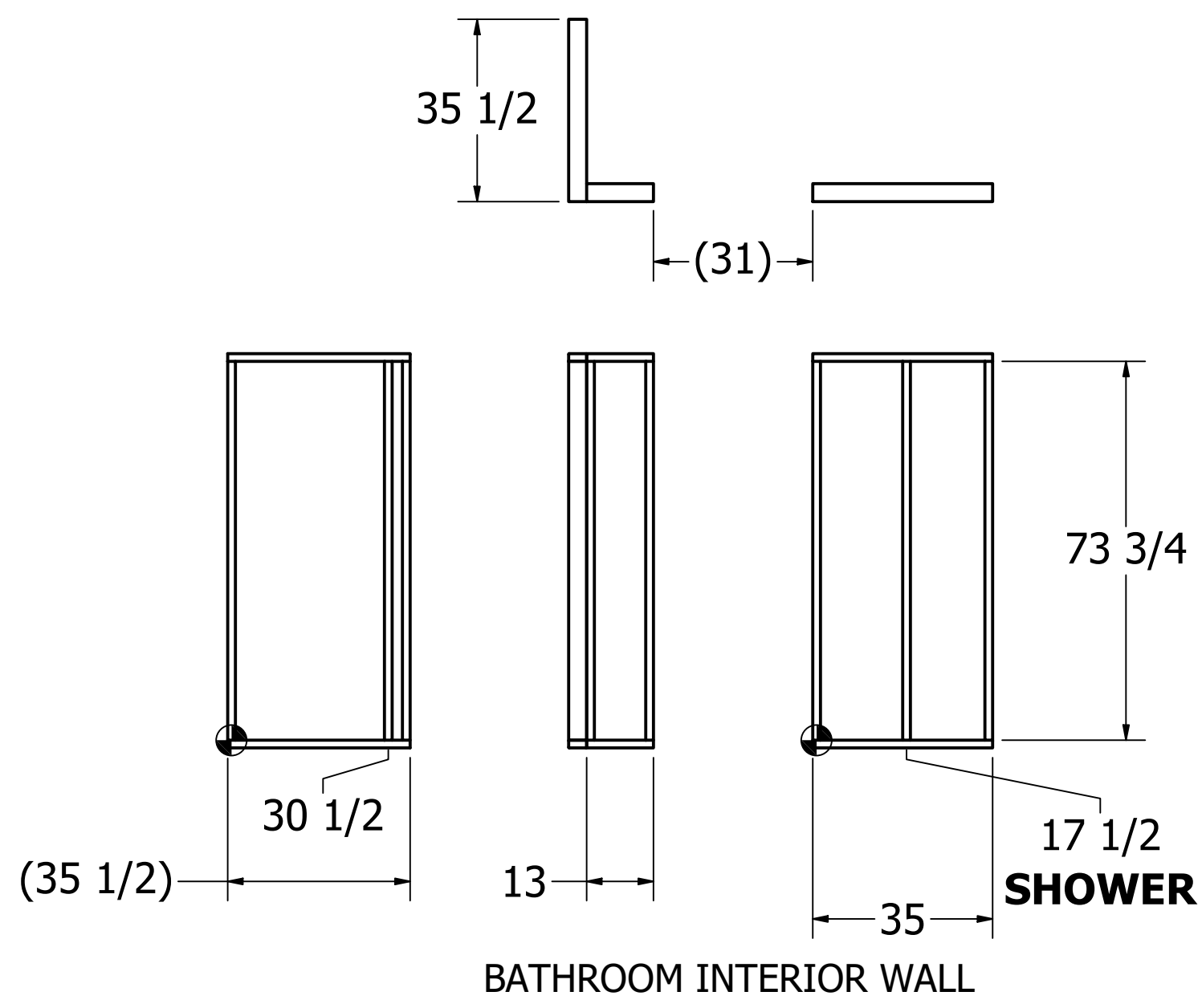
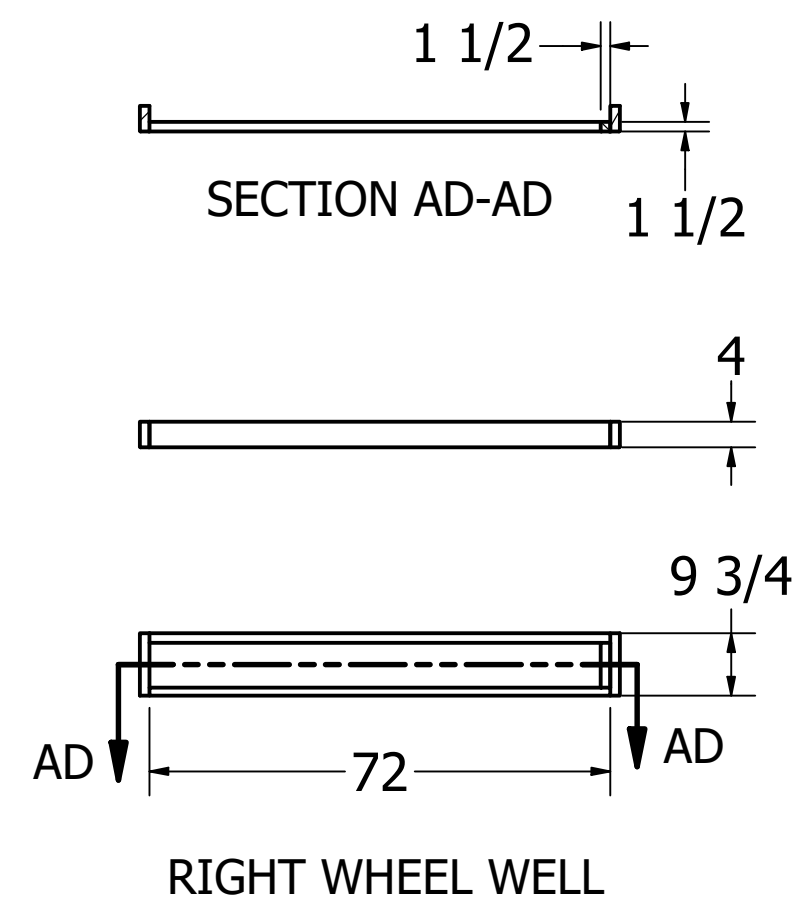


PROPRIETARY AND CONFIDENTIAL

THE INFORMATION CONTAINED IN THIS DRAWING IS THE SOLE PROPERTY OF SOLARCYCLE LLC. ANY REPRODUCTION IN PART OR AS A WHOLE WITHOUT THE WRITTEN PERMISSION OF SOLARCYCLE LLC IS PROHIBITED.

UNLESS OTHERWISE SPECIFIED	DRAWN	ISAAC	9/11/2022	TITLE
DIMENSIONS ARE IN INCHES	CHECKED			SOLARCYCLE ONE TINY HOME
TOLERANCES:	QA			
FRACTIONAL PART: ± 1/16	MFG			
FRACTIONAL ASSY: ± 1/8	APPROVED			SIZE
ANGLE: ± 1°	COMMENTS:			DWG NO
MATERIAL				SOLARCYCLE TH WD STDS
FINISH				SCALE
DO NOT SCALE DRAWING				REV B
				SHEET 3 OF 13

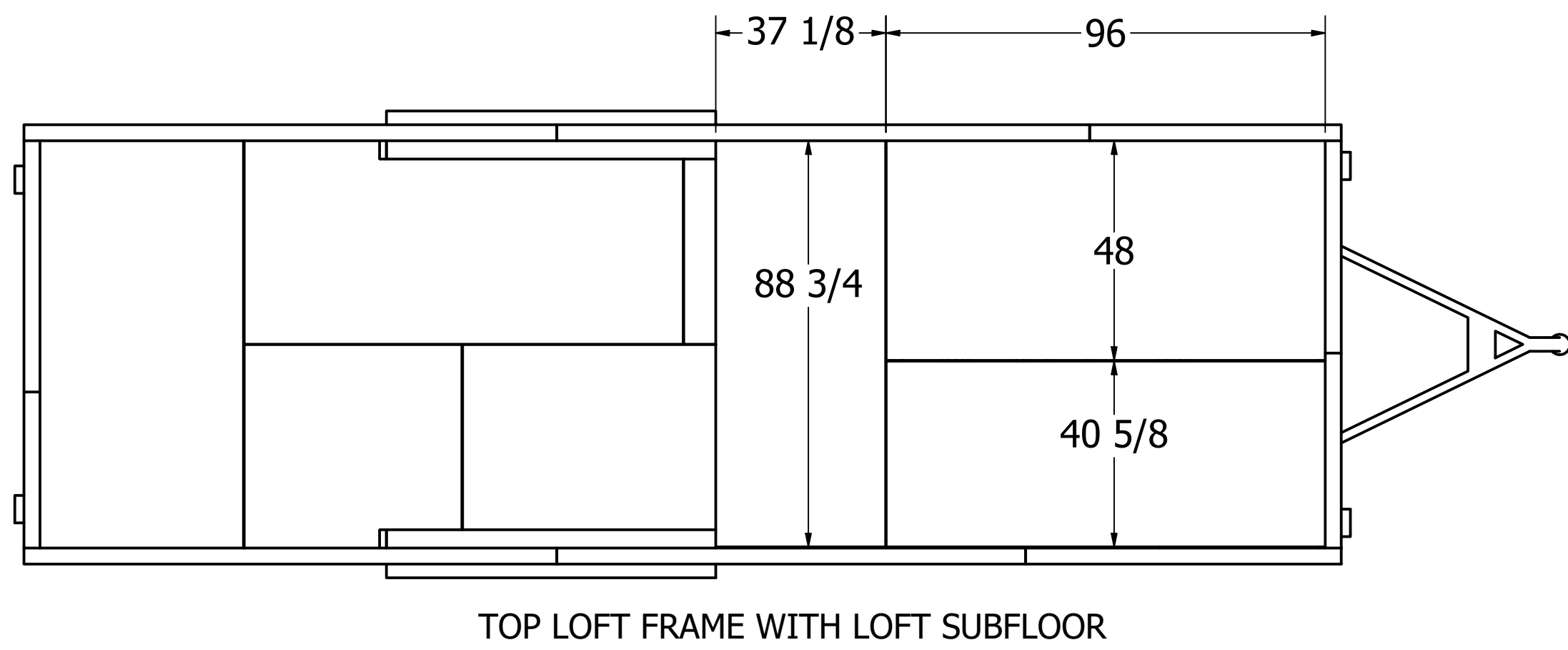
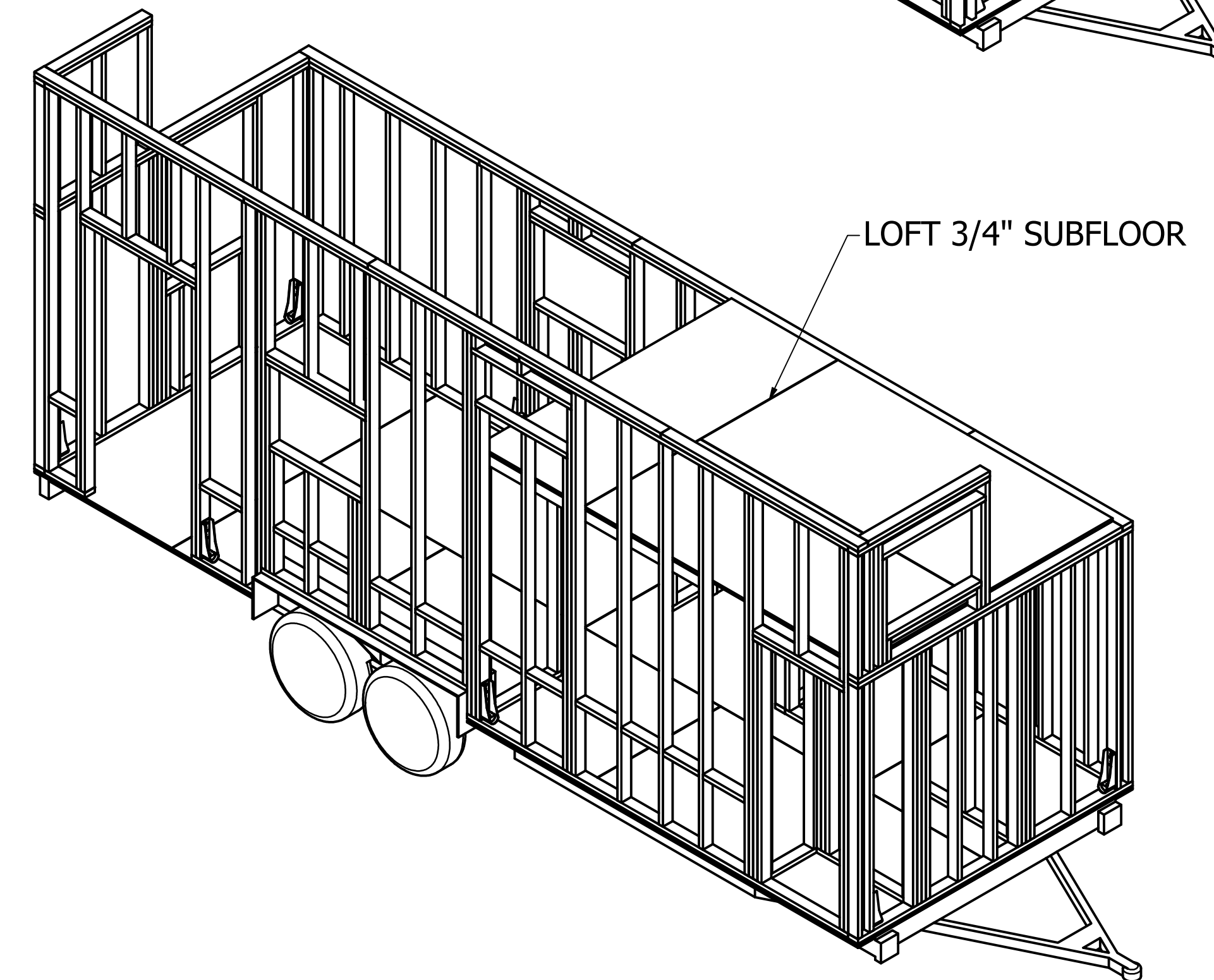
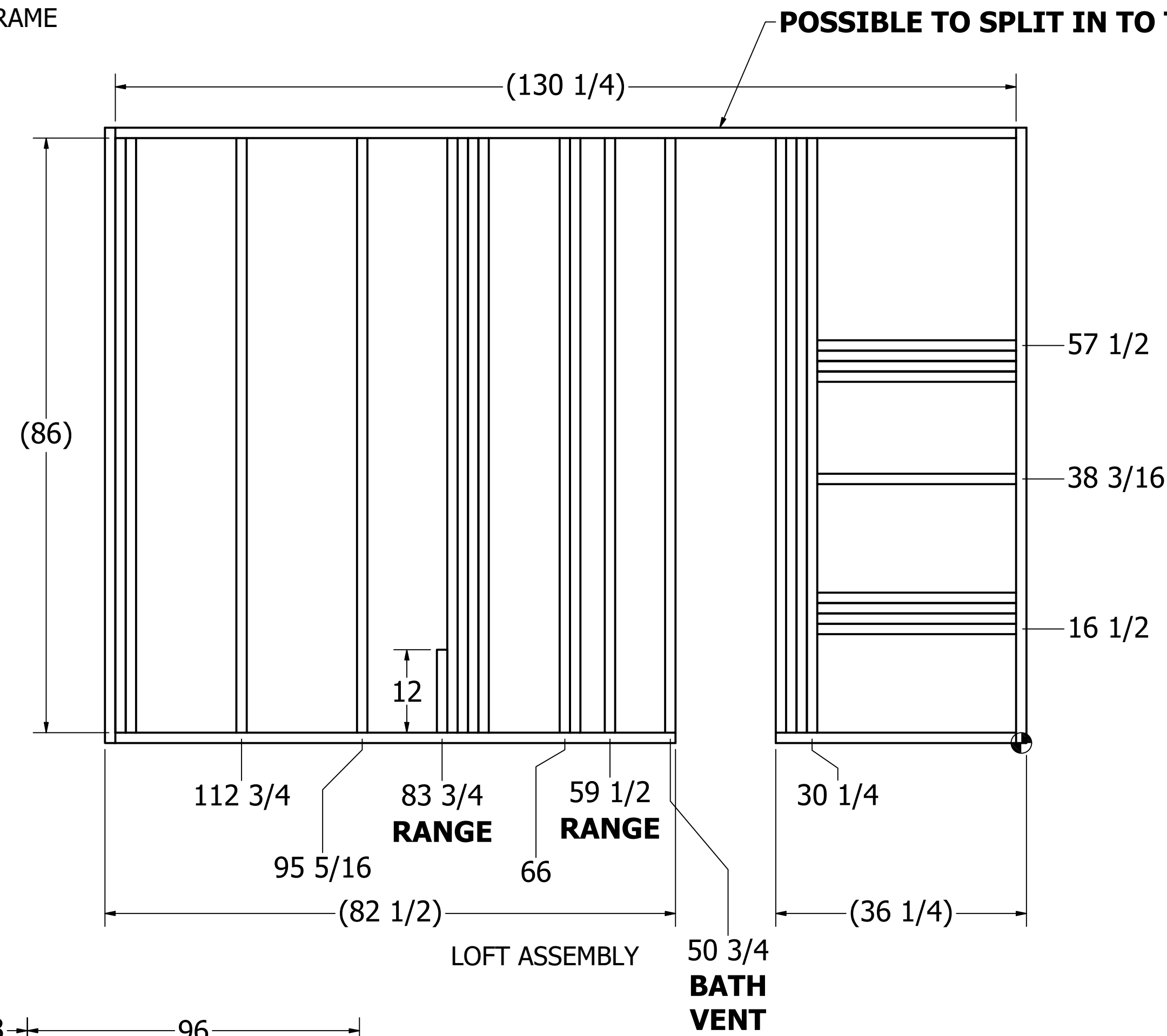
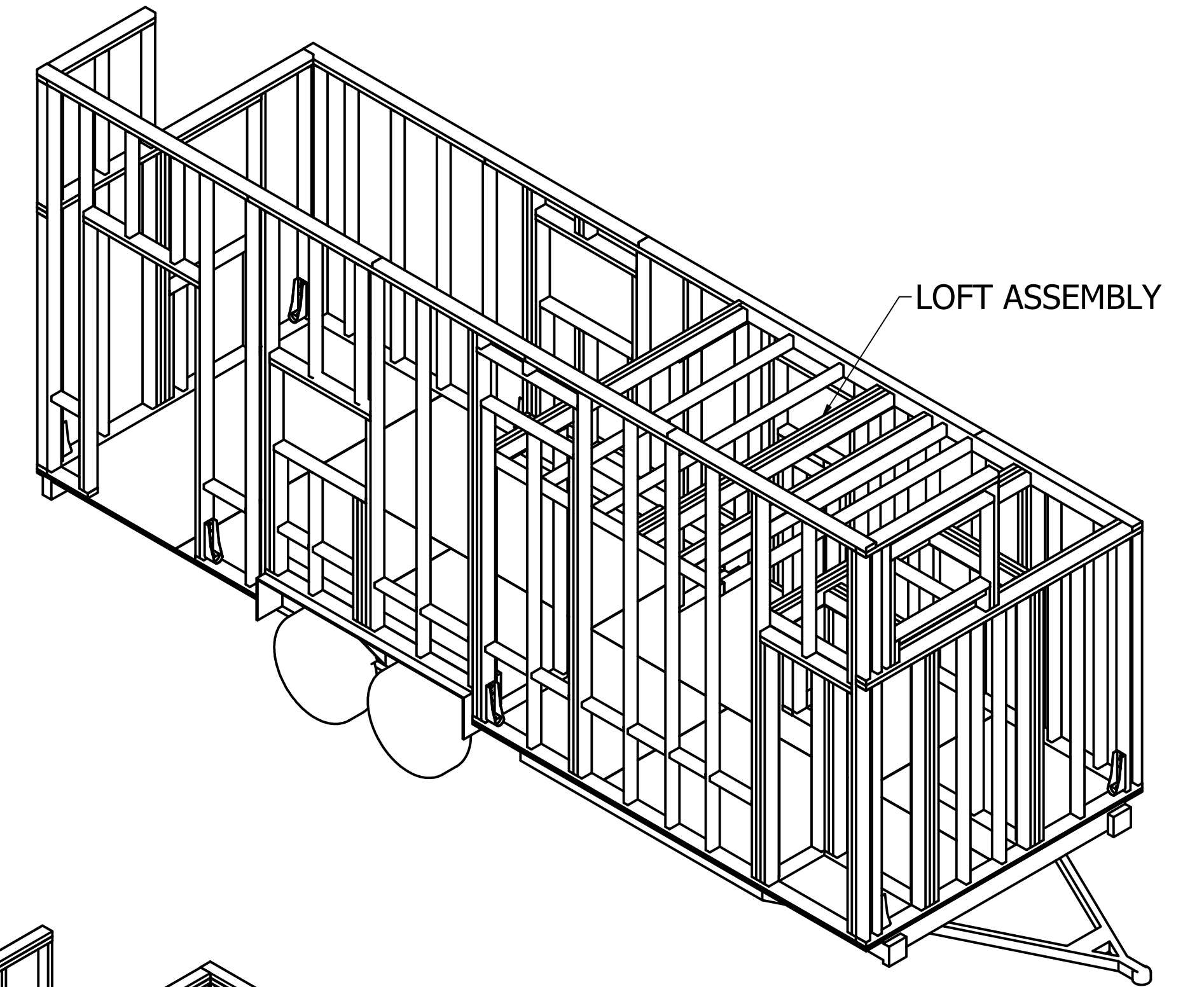
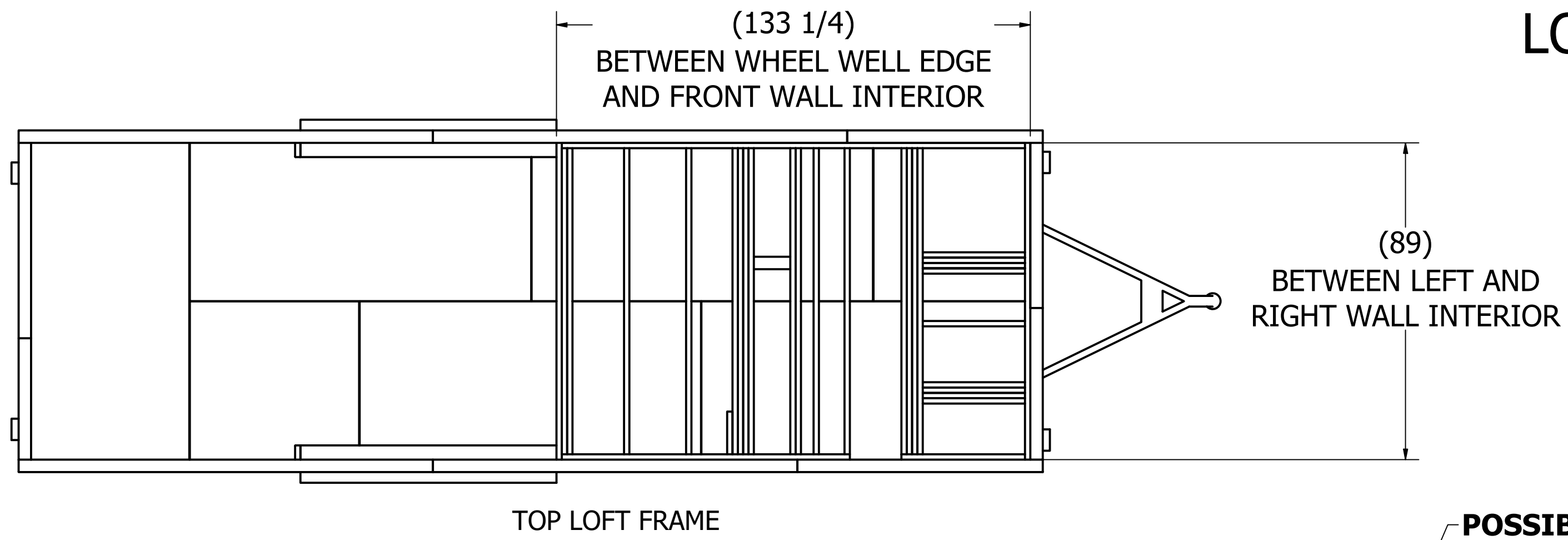
2X4 INTERIOR WALLS AND WHEEL WELL BOX



PROPRIETARY AND CONFIDENTIAL
THE INFORMATION CONTAINED IN THIS DRAWING IS THE SOLE PROPERTY OF SOLARCYCLE LLC. ANY REPRODUCTION IN PART OR AS A WHOLE WITHOUT THE WRITTEN PERMISSION OF SOLARCYCLE LLC IS PROHIBITED.

UNLESS OTHERWISE SPECIFIED	DRAWN ISAAC	9/11/2022	TITLE	
DIMENSIONS ARE IN INCHES	CHECKED		SOLARCYCLE ONE TINY HOME	
TOLERANCES:	QA		SIZE	DWG NO
FRACTIONAL PART: ± 1/16	MFG		D	SOLARCYCLE TH WD STDS
FRACTIONAL ASSY: ± 1/8	APPROVED		SCALE	REV
ANGLE: ± 1°	COMMENTS:			B
MATERIAL				
FINISH				
DO NOT SCALE DRAWING				SHEET 4 OF 13

LOFT DETAIL



UNLESS OTHERWISE SPECIFIED	DRAWN ISAAC	9/11/2022	TITLE	
DIMENSIONS ARE IN INCHES	CHECKED		SOLARCYCLE ONE TINY HOME	
TOLERANCES:	QA		SIZE	DWG NO
FRACTIONAL PART: ± 1/16	MFG		D	SOLARCYCLE TH WD STDS
FRACTIONAL ASSY: ± 1/8	APPROVED		SCALE	REV
ANGLE: ± 1°	COMMENTS:			B
MATERIAL				SHEET 5 OF 13
FINISH				
DO NOT SCALE DRAWING				

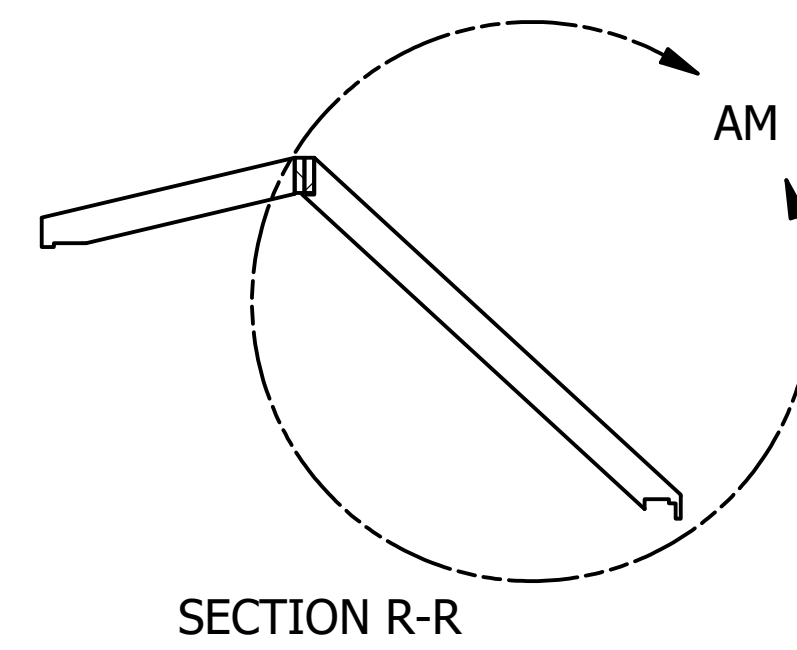
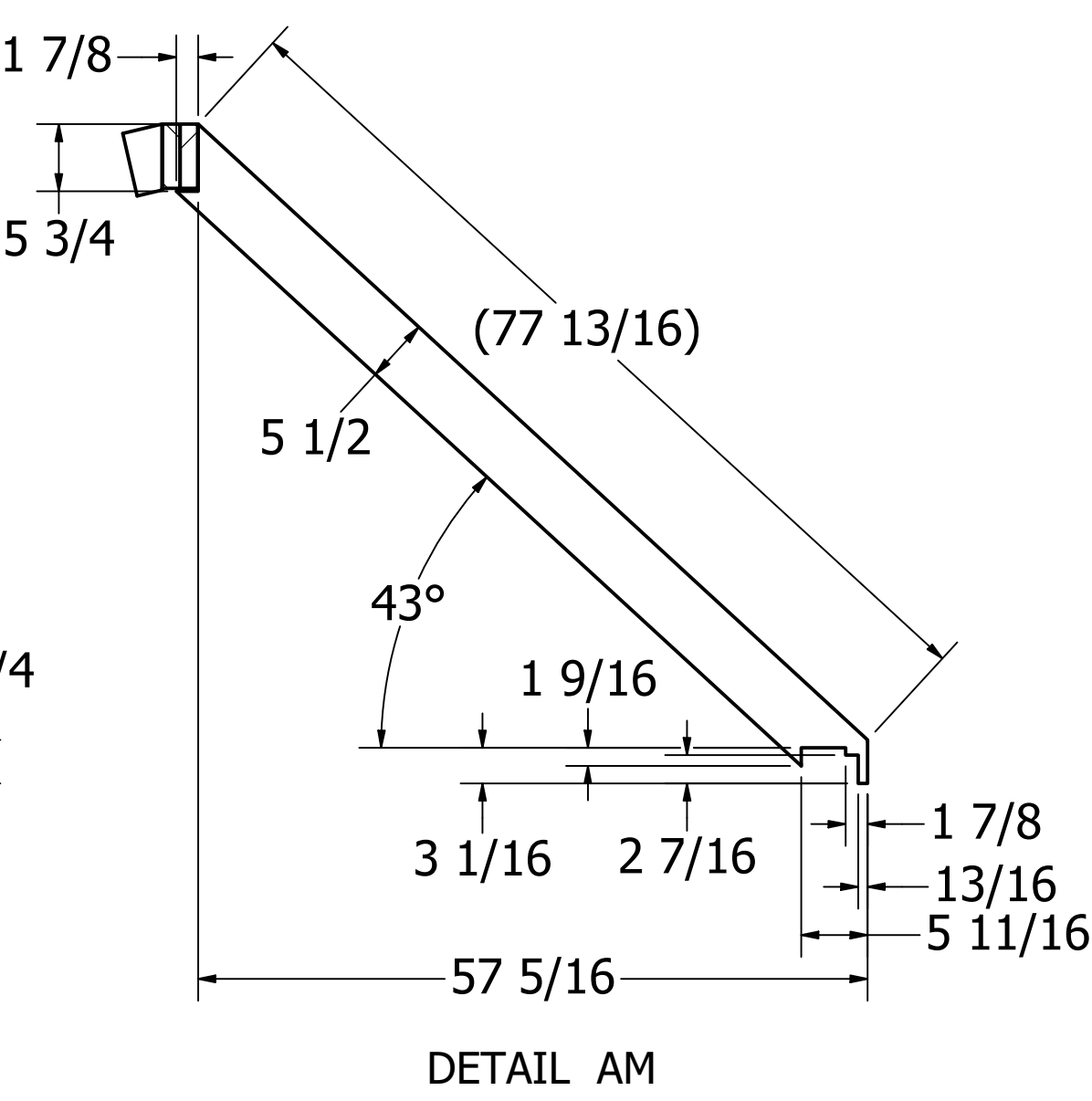
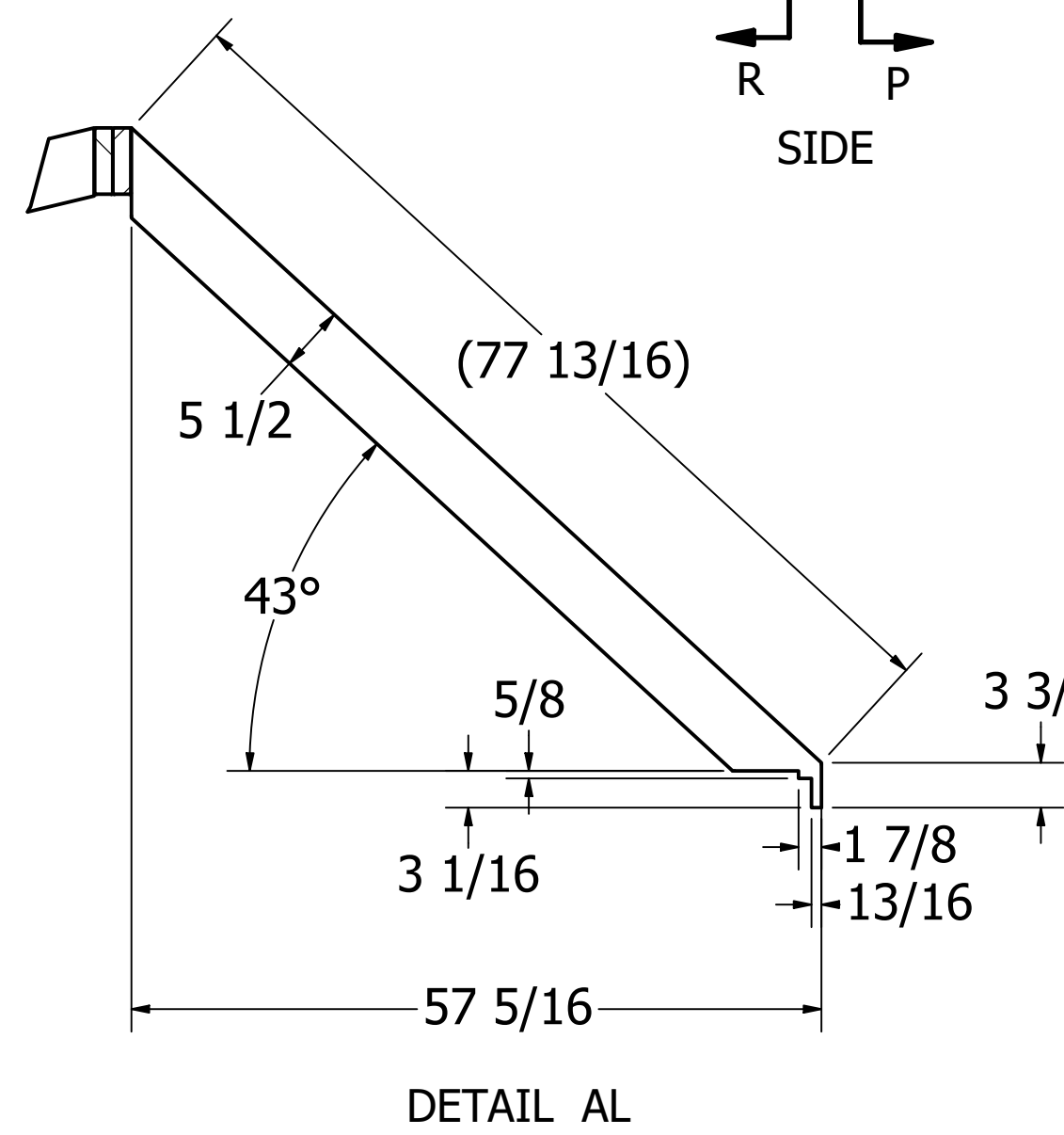
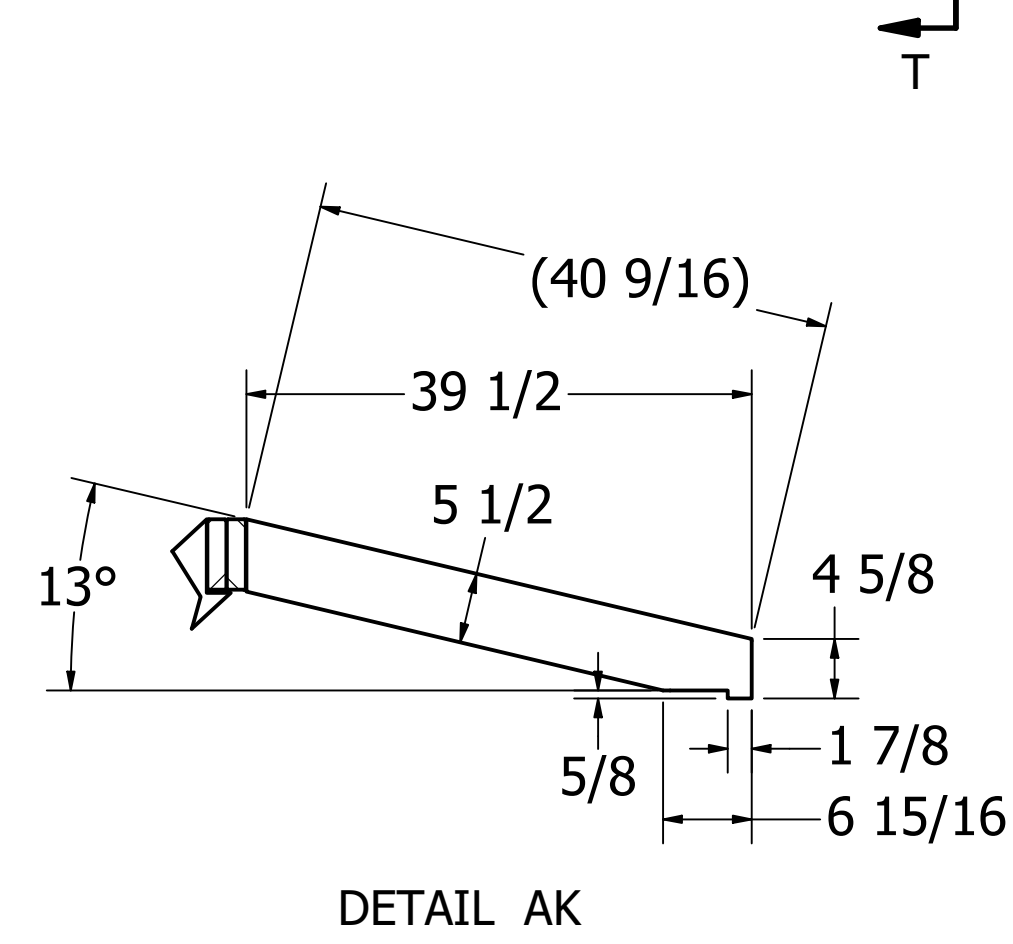
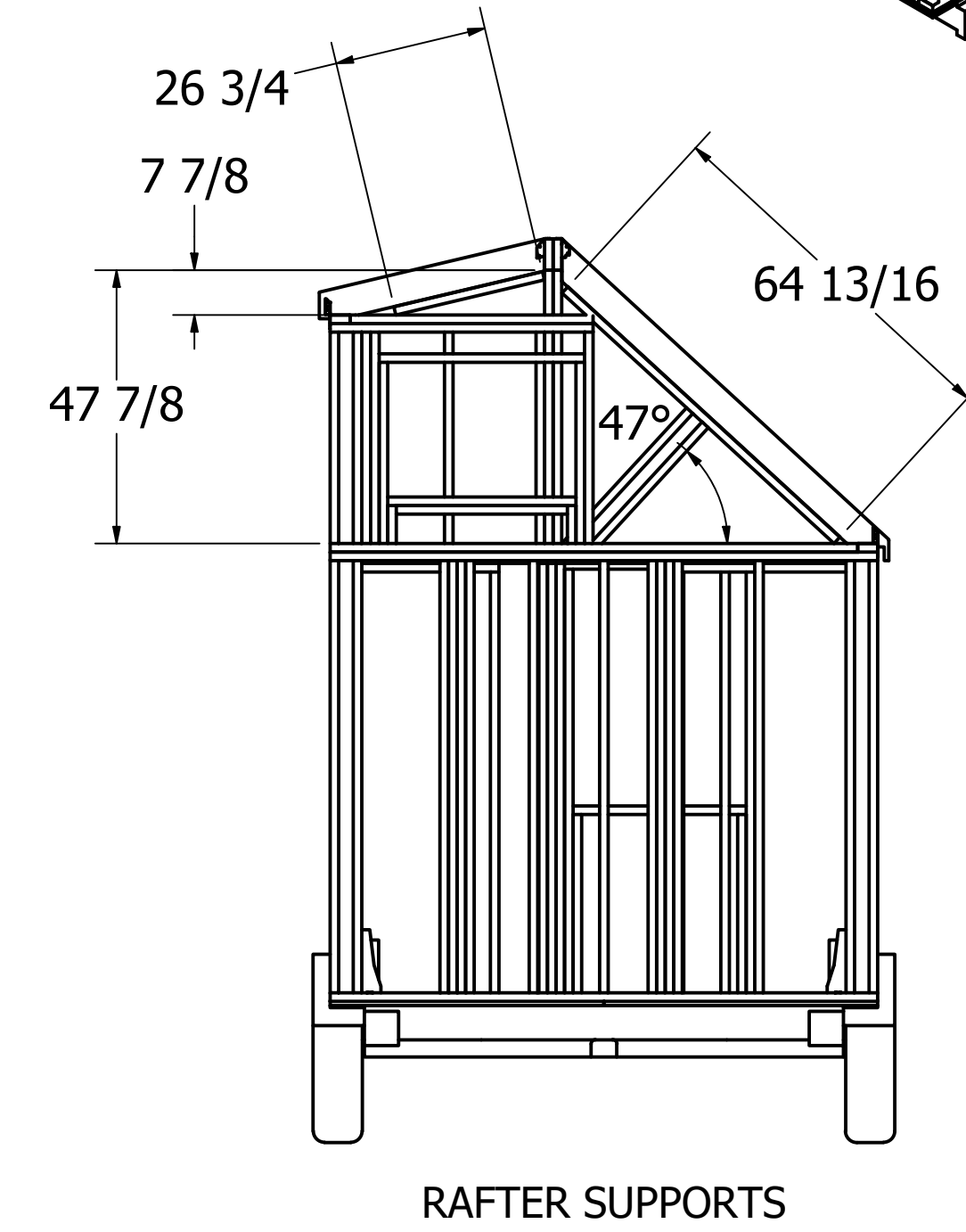
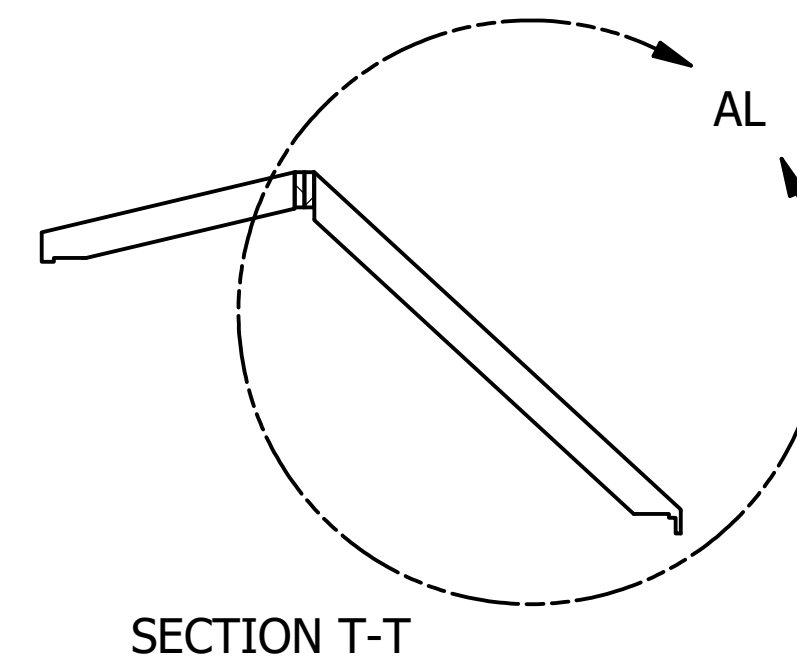
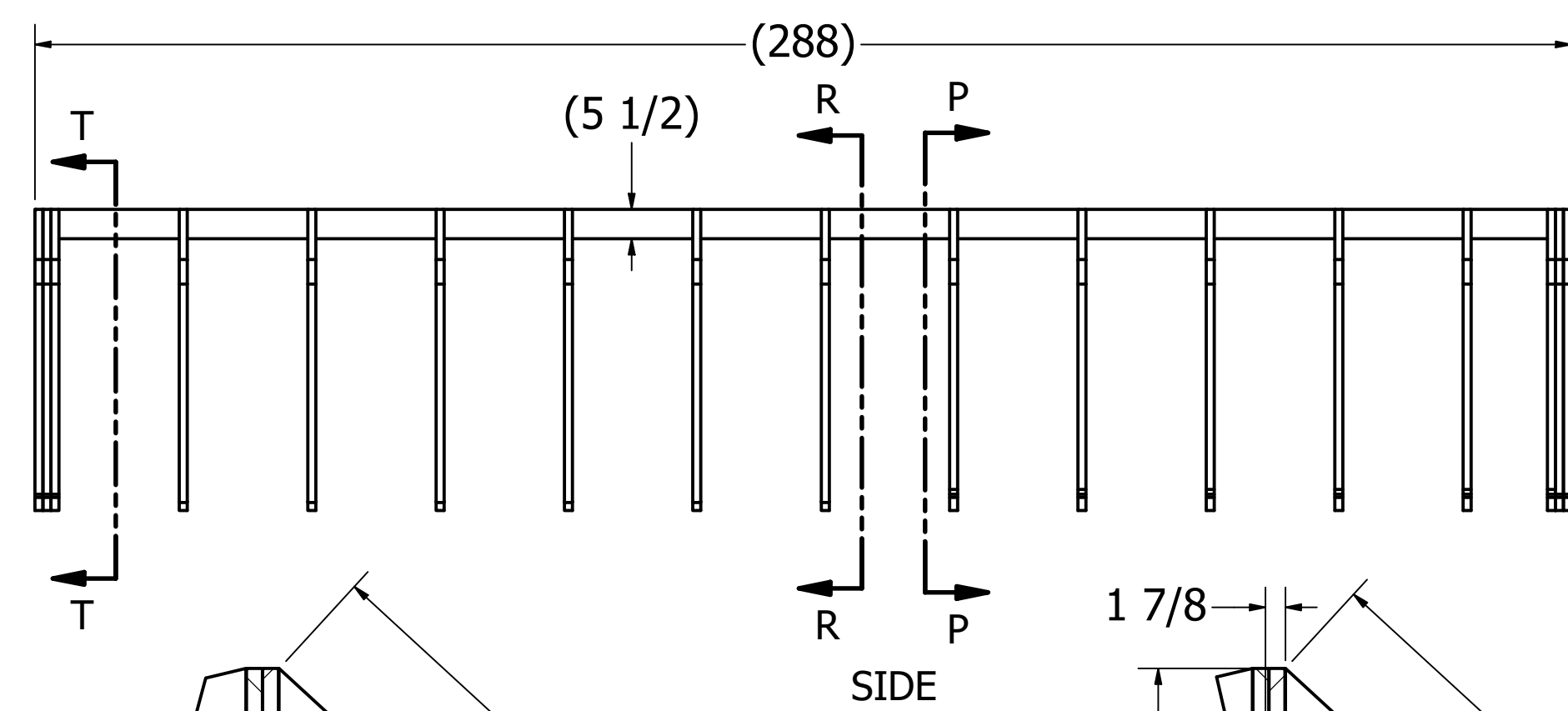
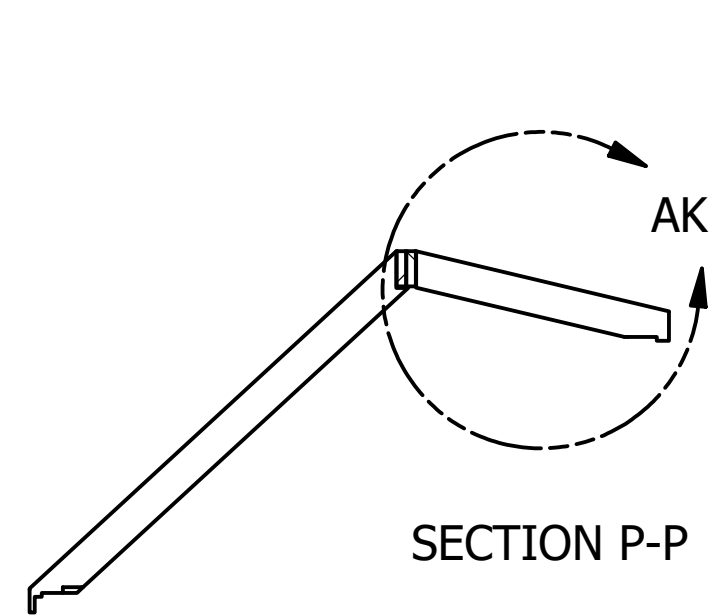
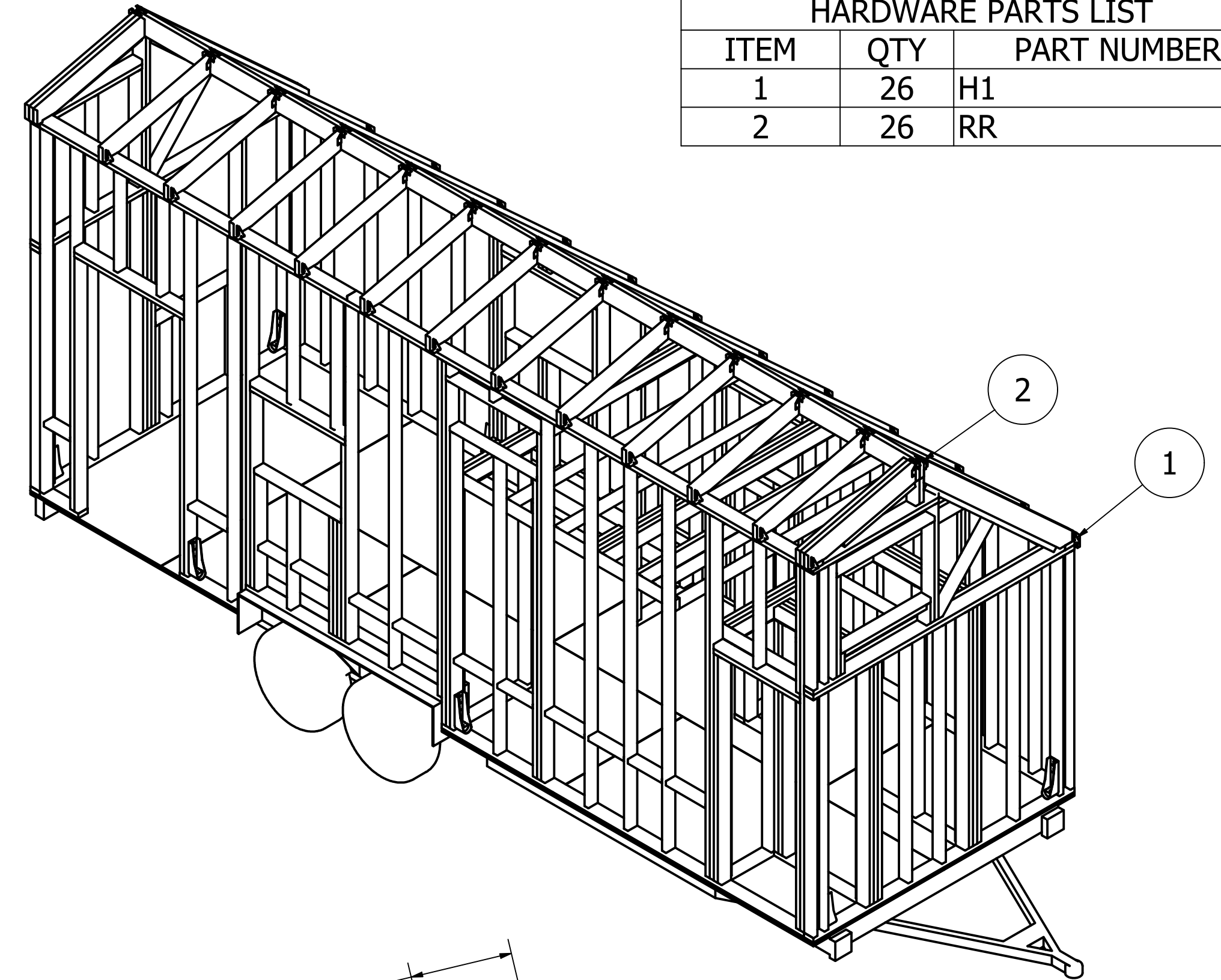
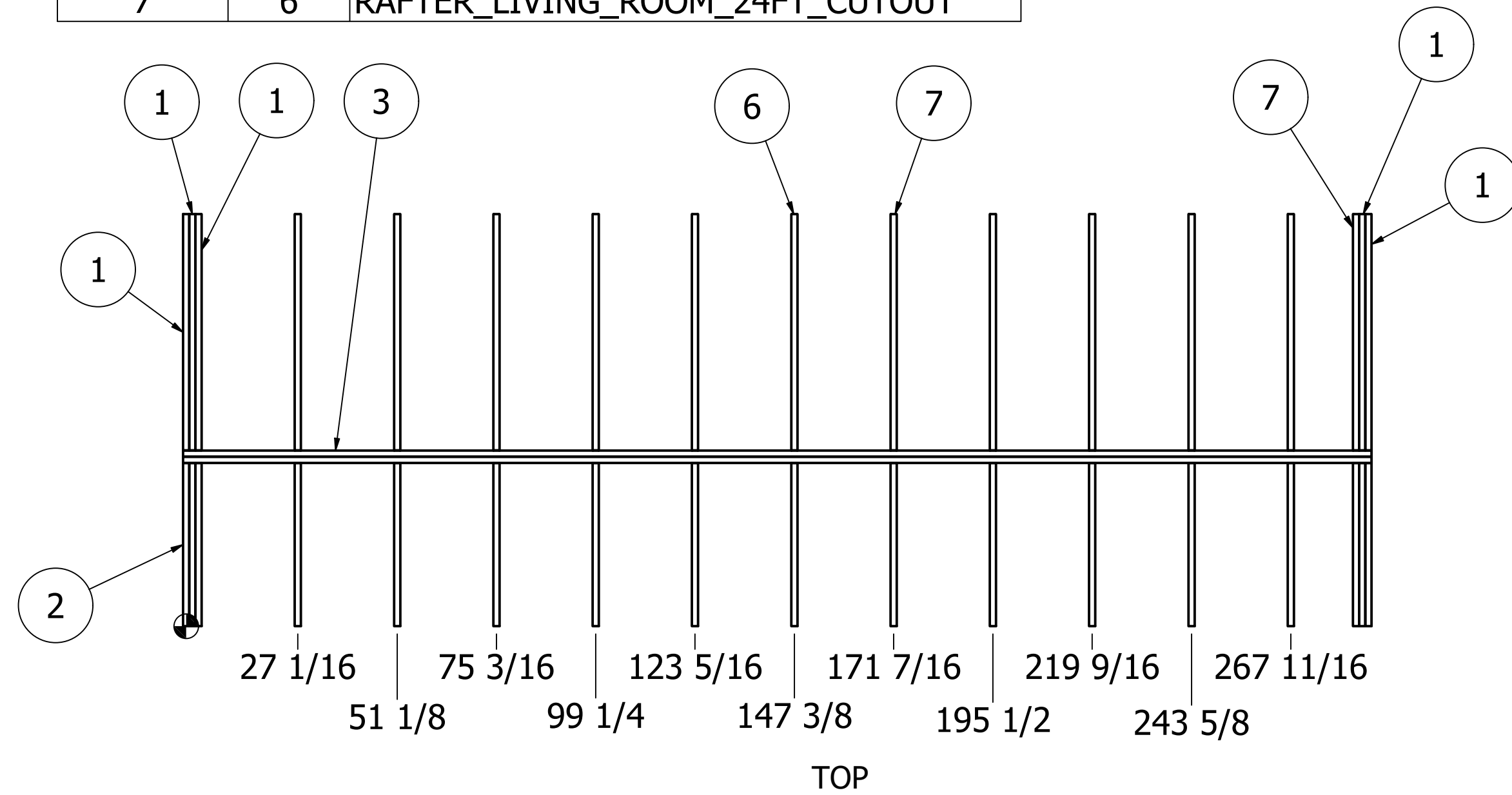
PROPRIETARY AND CONFIDENTIAL

THE INFORMATION CONTAINED IN THIS DRAWING IS THE SOLE PROPERTY OF SOLARCYCLE LLC. ANY REPRODUCTION IN PART OR AS A WHOLE WITHOUT THE WRITTEN PERMISSION OF SOLARCYCLE LLC IS PROHIBITED.

RAFTER PARTS LIST		
ITEM	QTY	PART NUMBER
1	5	RAFTER_LIVING_ROOM_24FT
2	17	RAFTER_LOFT_24FT
3	2	2X6X288_00
4	2	2X4X64_80
5	2	2X4X26_75
6	6	RAFTER_LIVING_ROOM_24FT_2CUTOUTS
7	6	RAFTER_LIVING_ROOM_24FT_CUTOUT

RAFTER ASSEMBLY

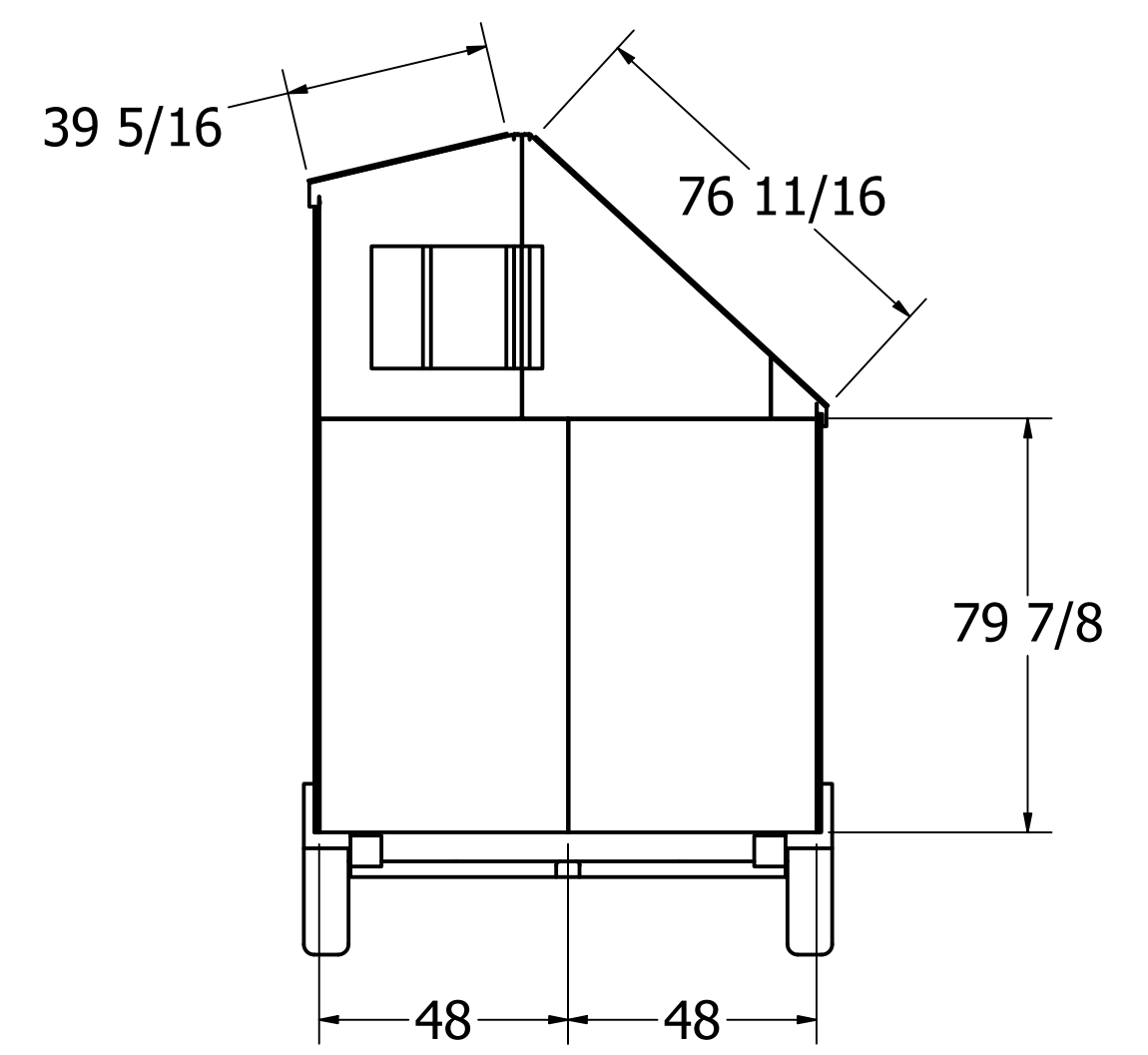
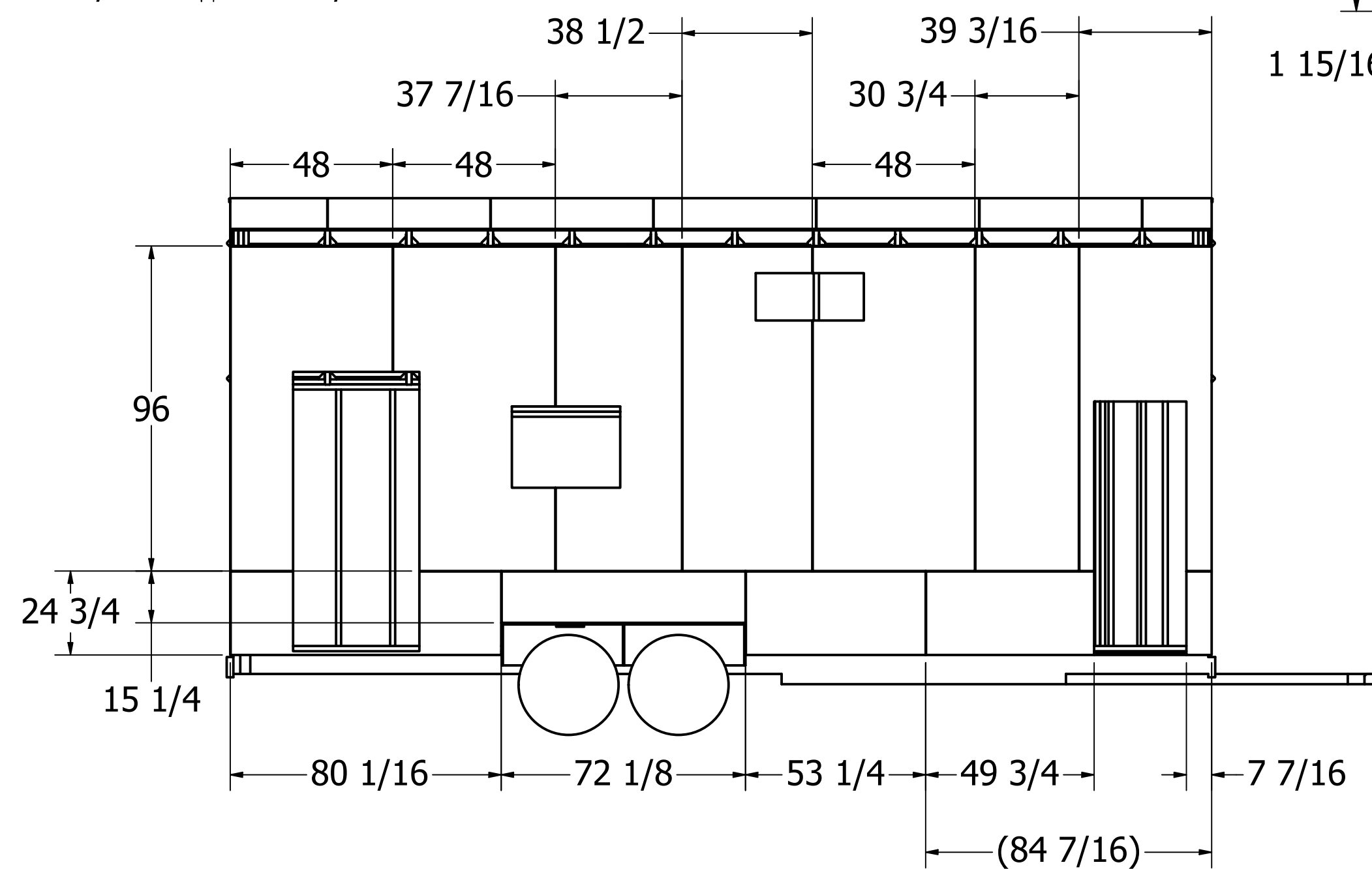
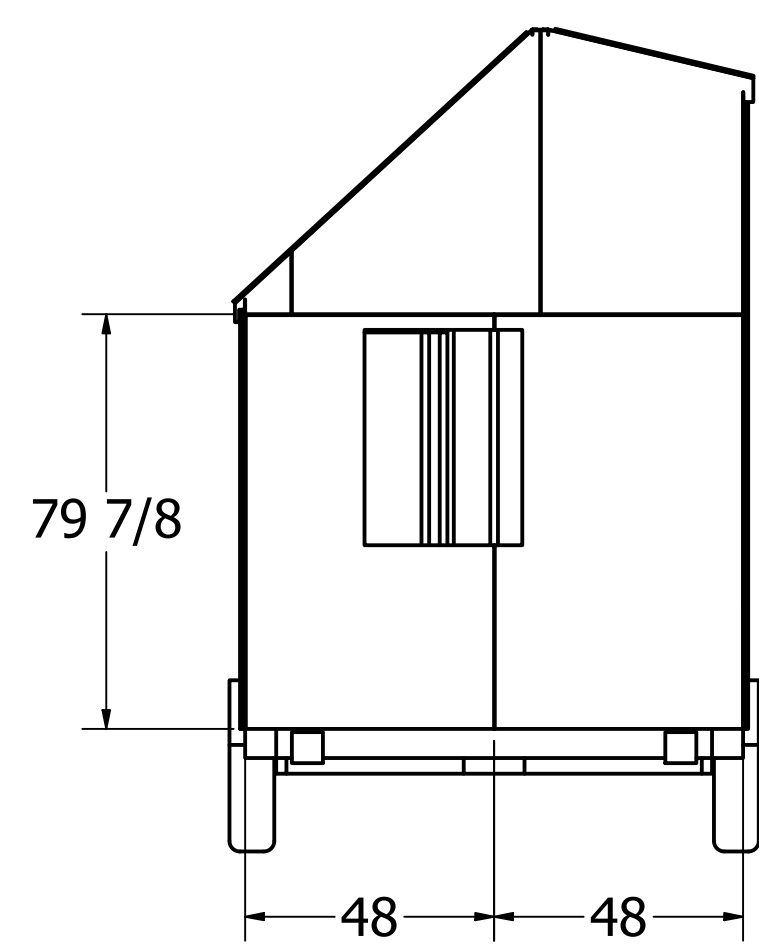
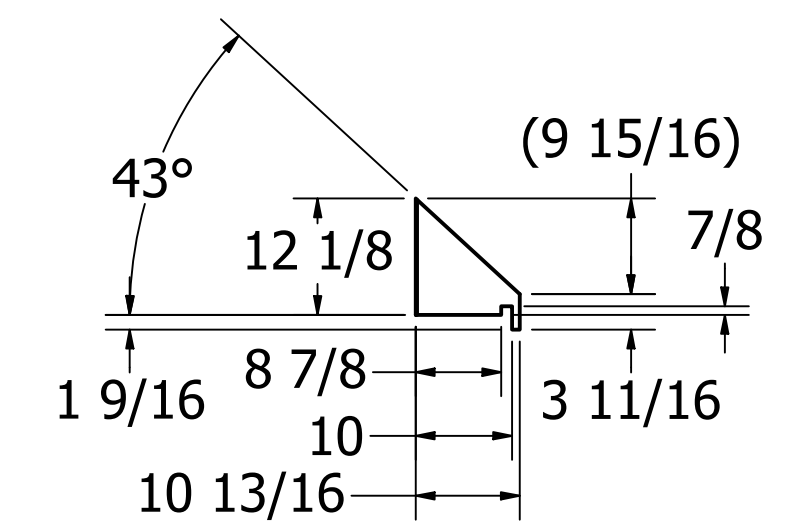
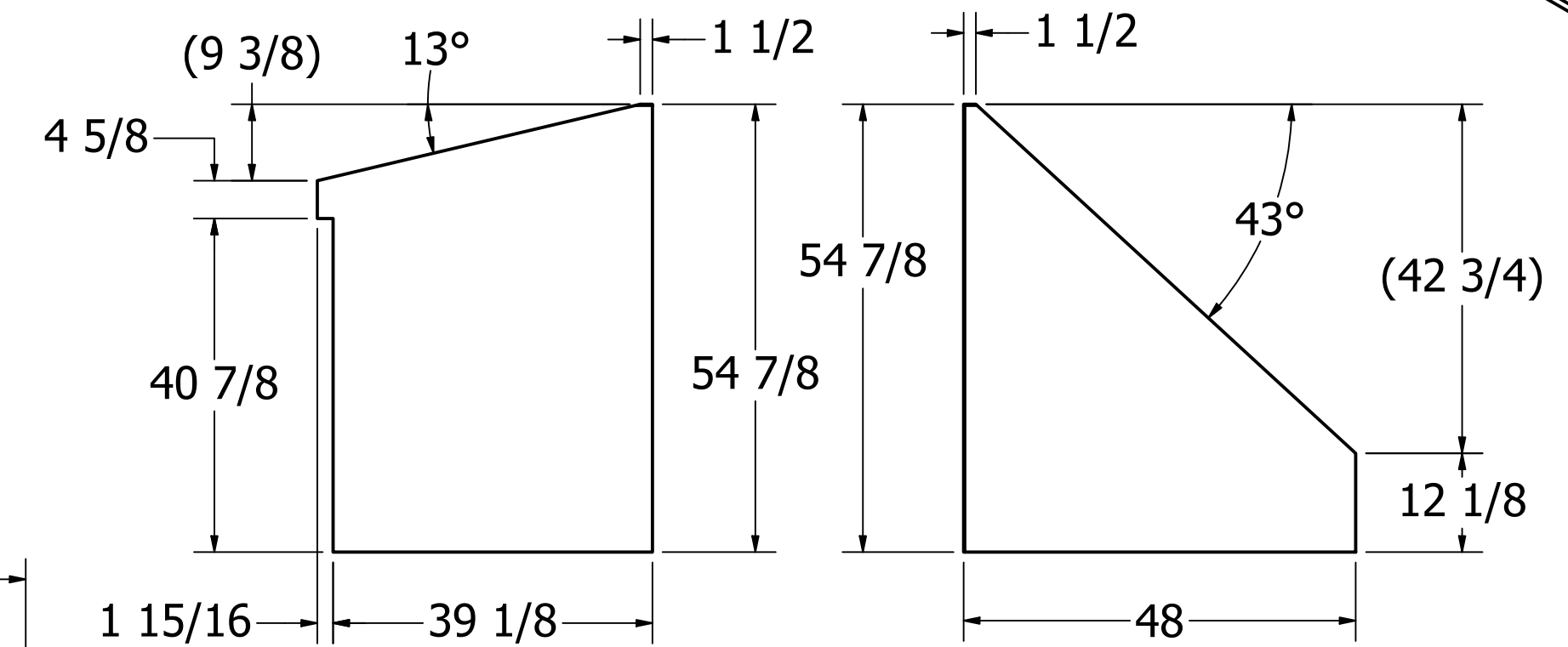
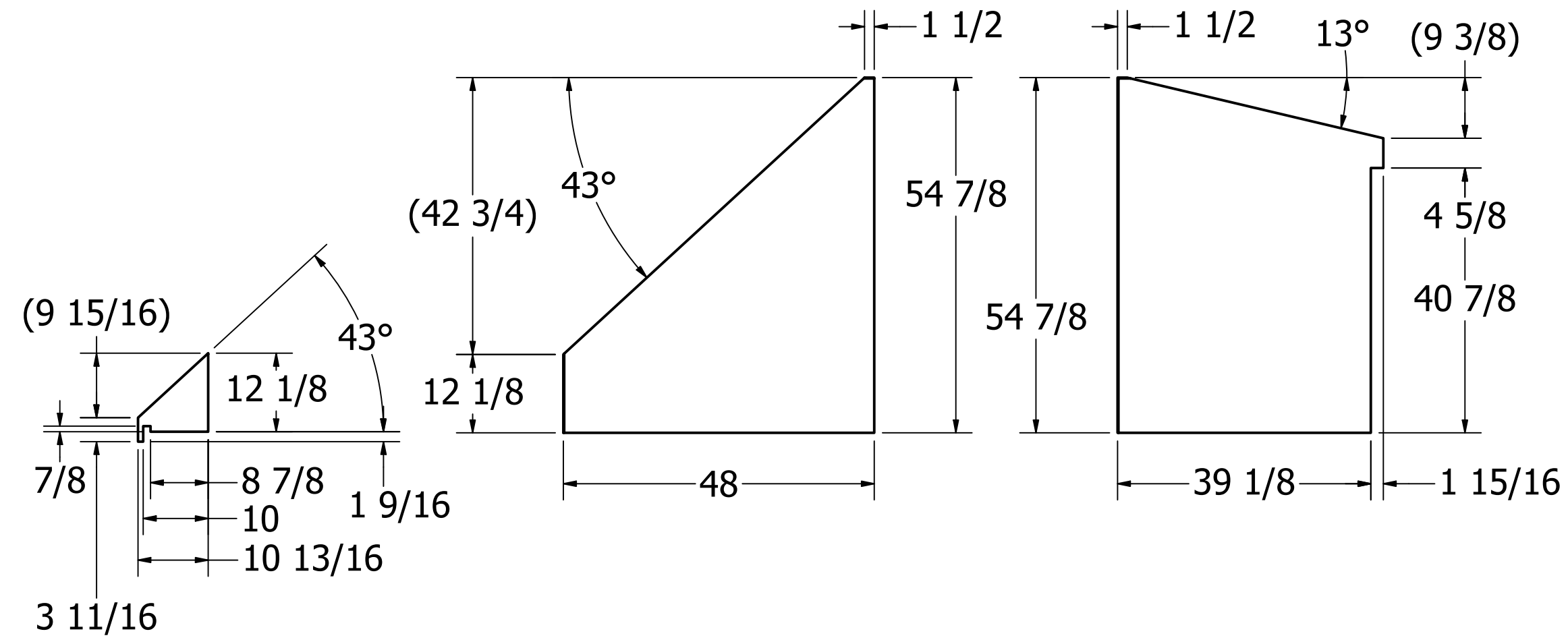
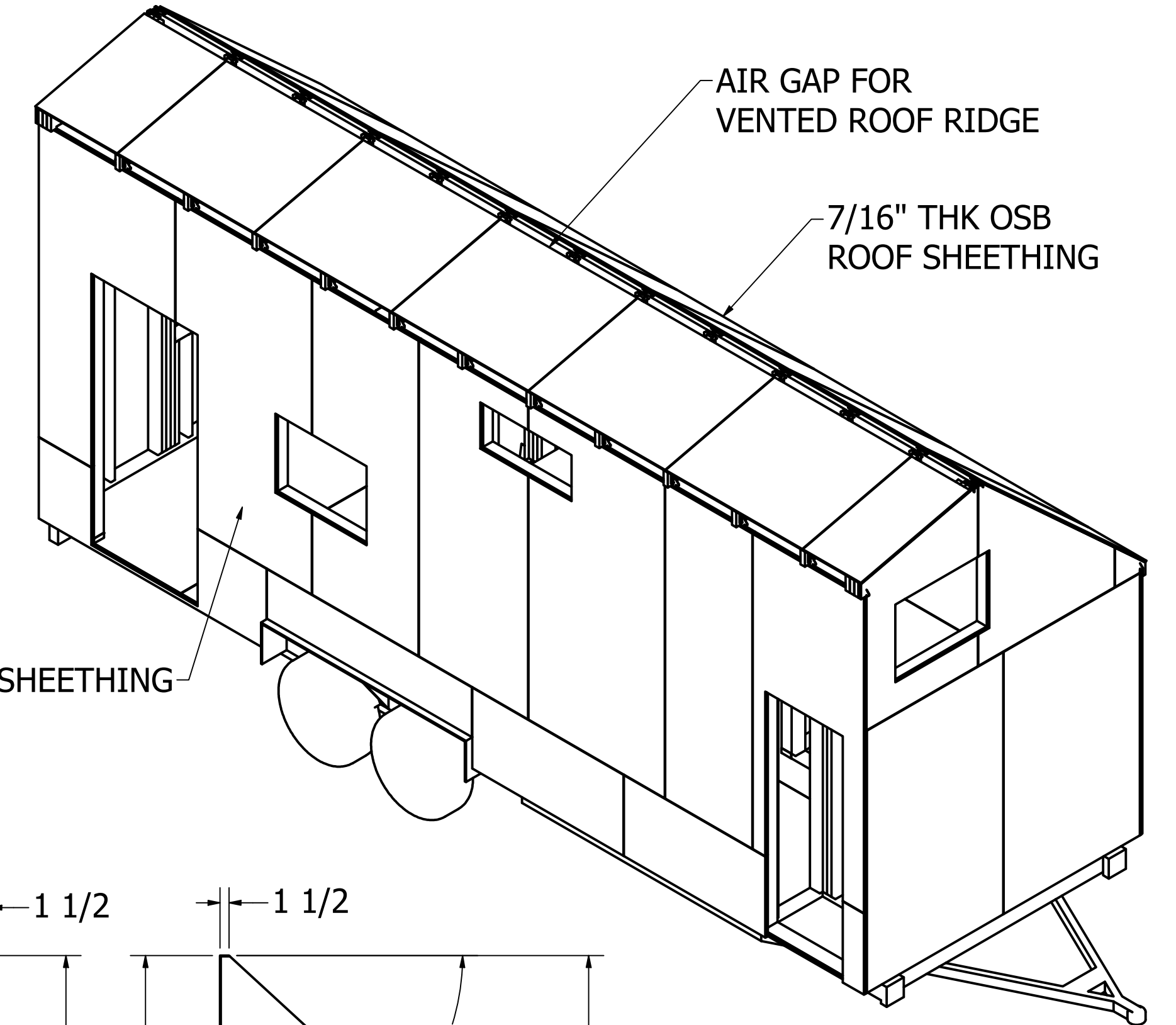
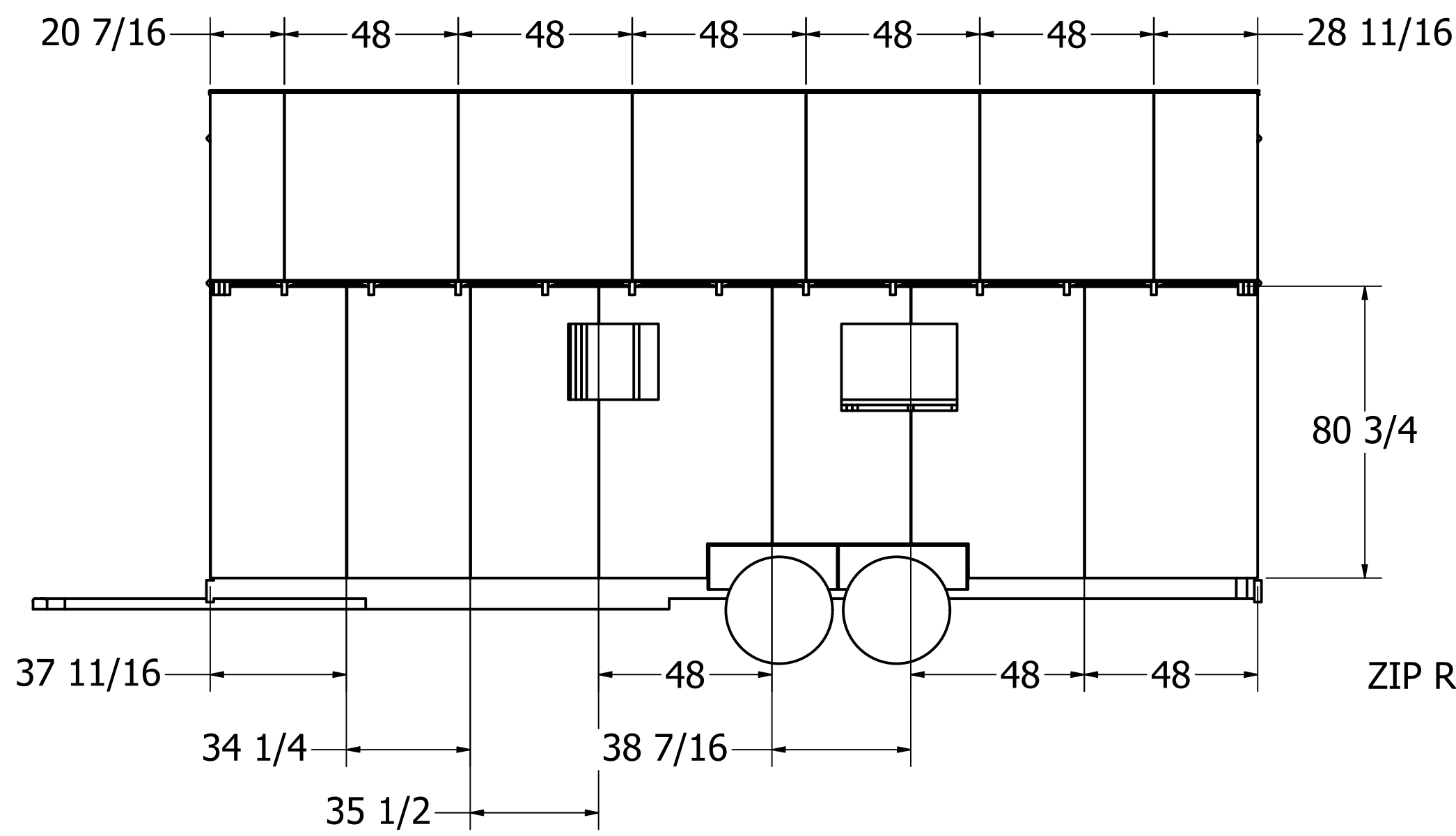
HARDWARE PARTS LIST		
ITEM	QTY	PART NUMBER
1	26	H1
2	26	RR



PROPRIETARY AND CONFIDENTIAL
 THE INFORMATION CONTAINED IN THIS DRAWING IS THE SOLE PROPERTY OF SOLARCYCLE LLC. ANY REPRODUCTION IN PART OR AS A WHOLE WITHOUT THE WRITTEN PERMISSION OF SOLARCYCLE LLC IS PROHIBITED.

UNLESS OTHERWISE SPECIFIED	DRAWN	9/11/2022	TITLE	
DIMENSIONS ARE IN INCHES	ISAAC		SOLARCYCLE ONE TINY HOME	
TOLERANCES:	CHECKED		SIZE	DWG NO
FRACTIONAL PART: ± 1/16	QA		D	SOLARCYCLE TH WD STDS
FRACTIONAL ASSY: ± 1/8	MFG		SCALE	REV
ANGLE: ± 1°	APPROVED			B
MATERIAL	COMMENTS:		SHEET 6 OF 13	
FINISH				
DO NOT SCALE DRAWING				

ROOF/WALL SHEETHING

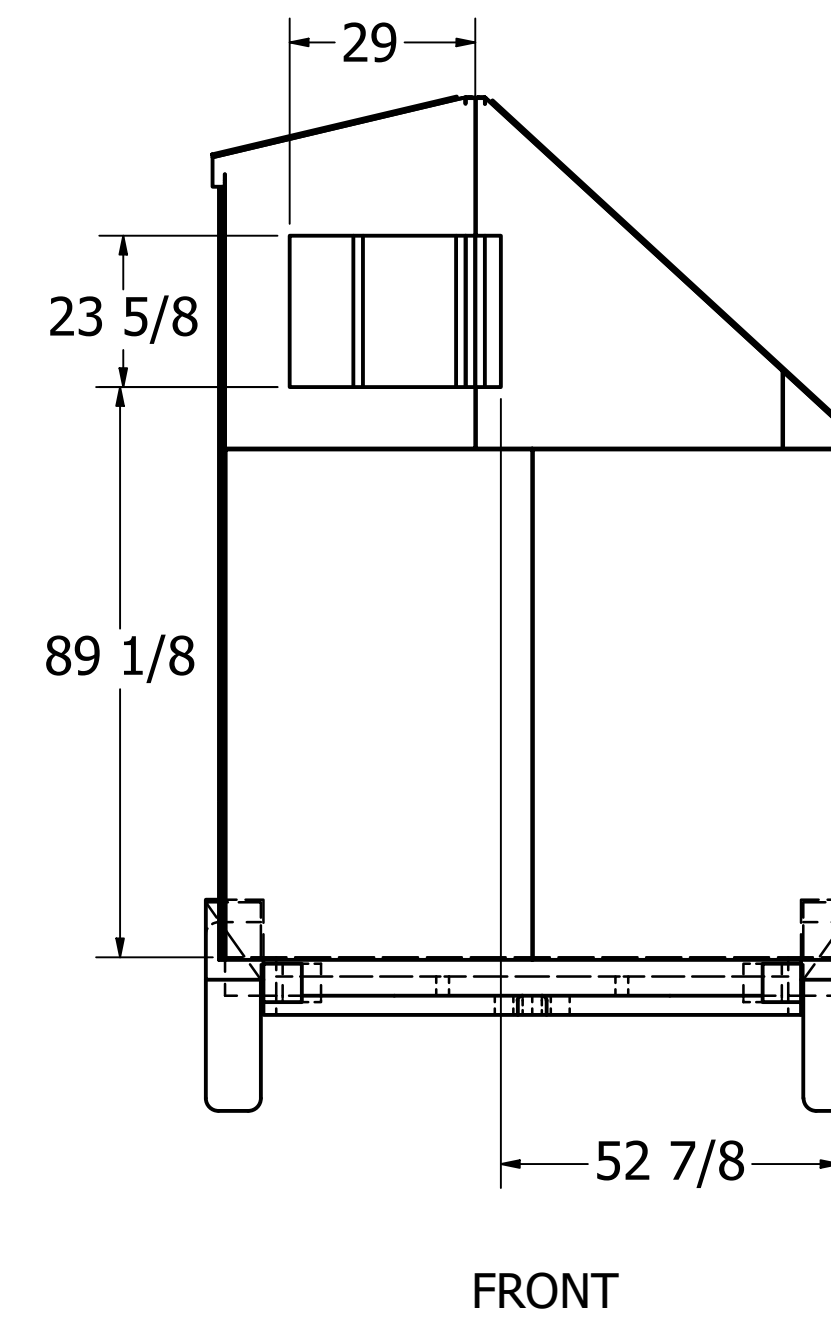
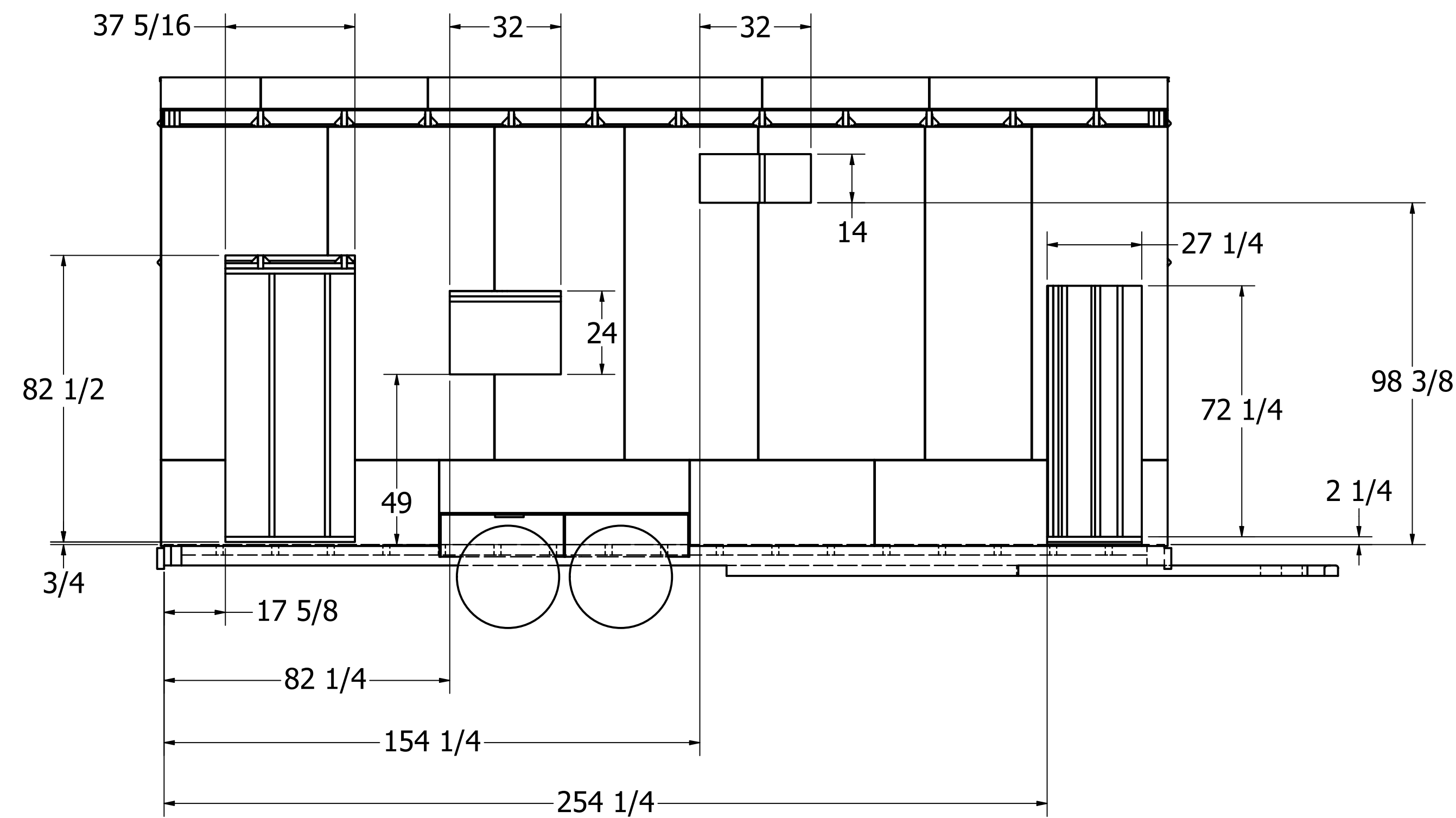
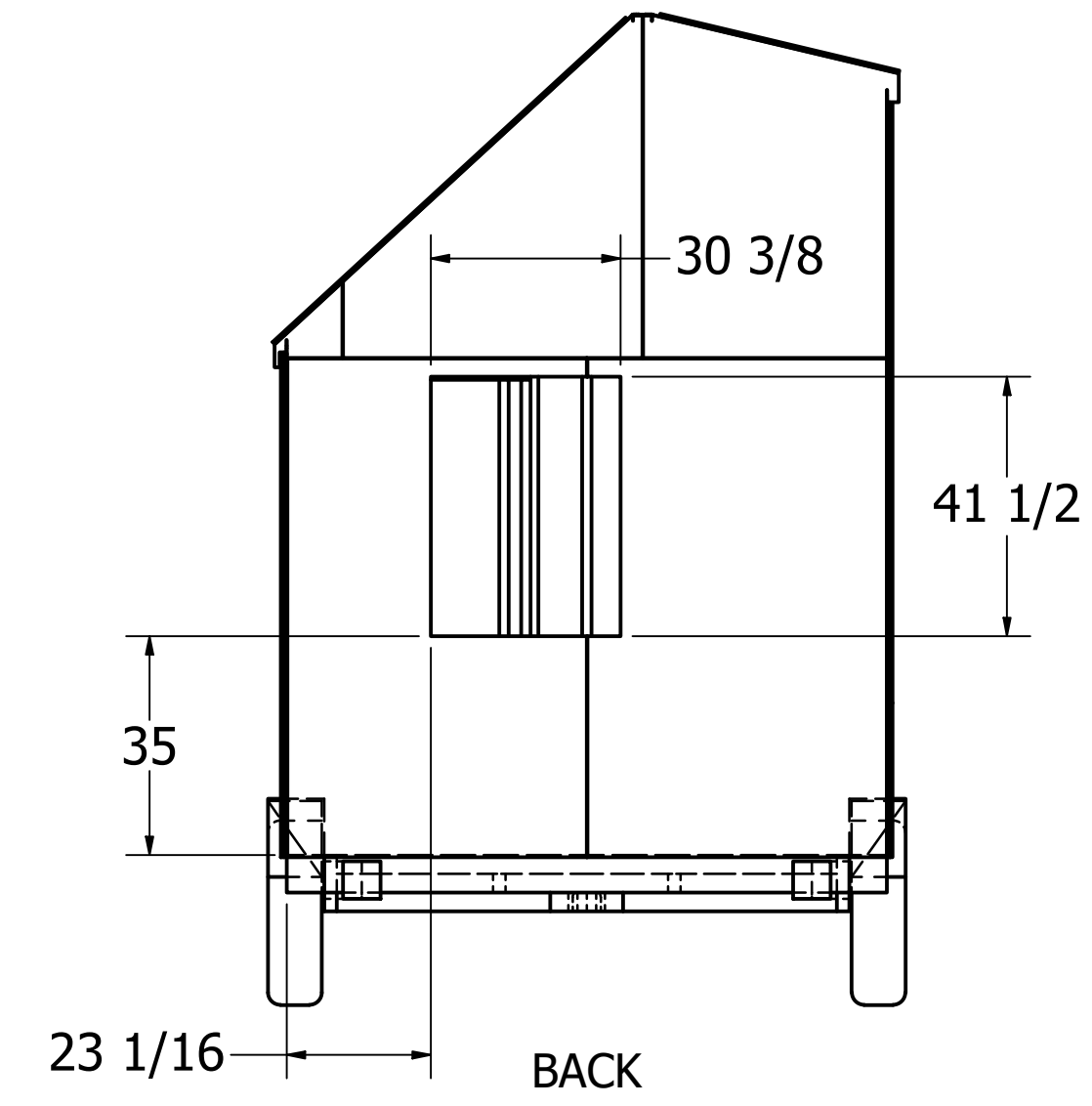
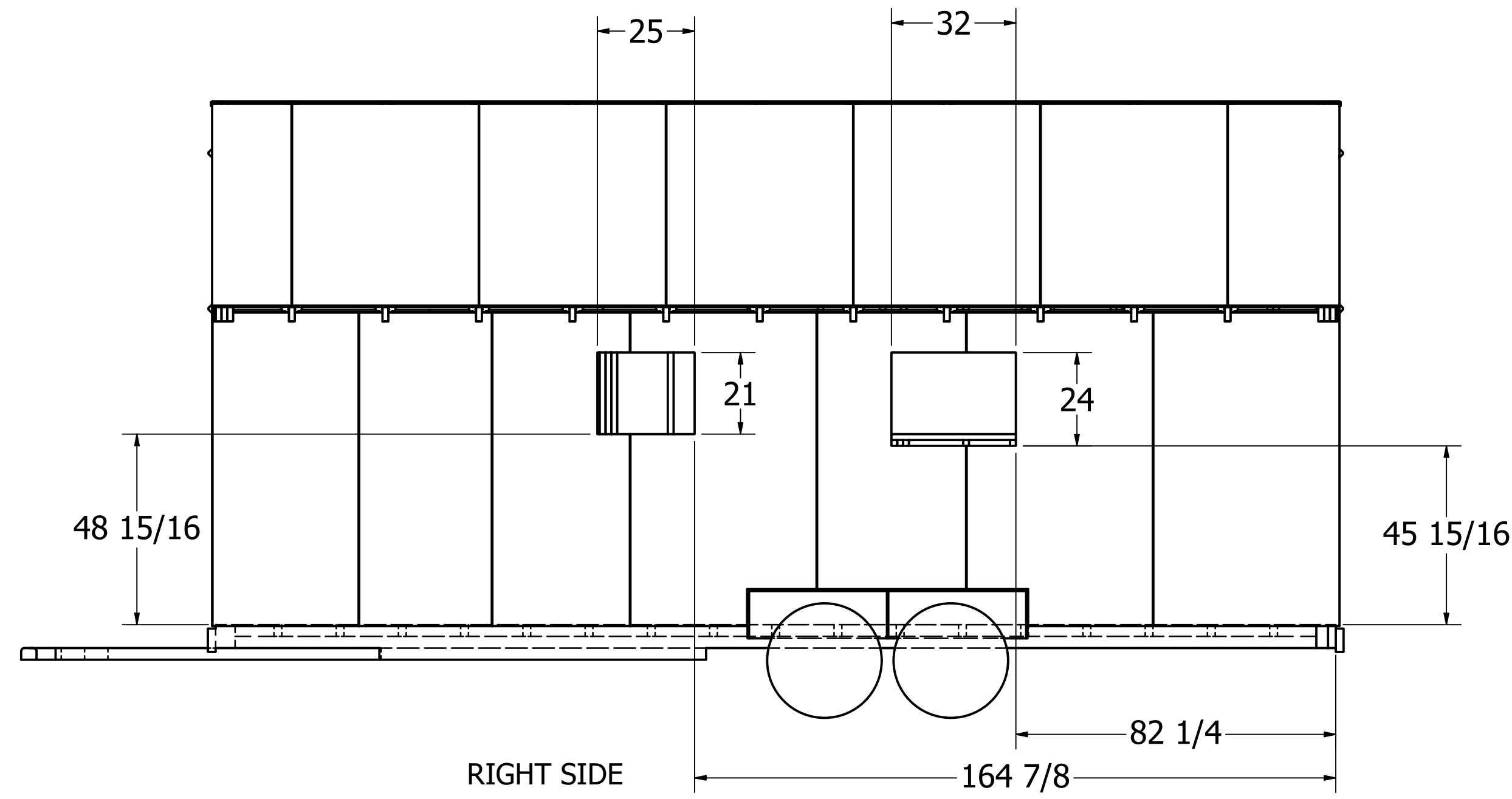


UNLESS OTHERWISE SPECIFIED	DRAWN ISAAC	9/11/2022	TITLE	
DIMENSIONS ARE IN INCHES	CHECKED		SOLARCYCLE ONE TINY HOME	
TOLERANCES:	QA		SIZE	DWG NO
FRACTIONAL PART: ± 1/16	MFG		D	SOLARCYCLE TH WD STDS
FRACTIONAL ASSY: ± 1/8	APPROVED		SCALE	REV
ANGLE: ± 1°	COMMENTS:			B
MATERIAL			SHEET 7 OF 13	
FINISH				
DO NOT SCALE DRAWING				

PROPRIETARY AND CONFIDENTIAL

THE INFORMATION CONTAINED IN THIS DRAWING IS THE SOLE PROPERTY OF SOLARCYCLE LLC. ANY REPRODUCTION IN PART OR AS A WHOLE WITHOUT THE WRITTEN PERMISSION OF SOLARCYCLE LLC IS PROHIBITED.

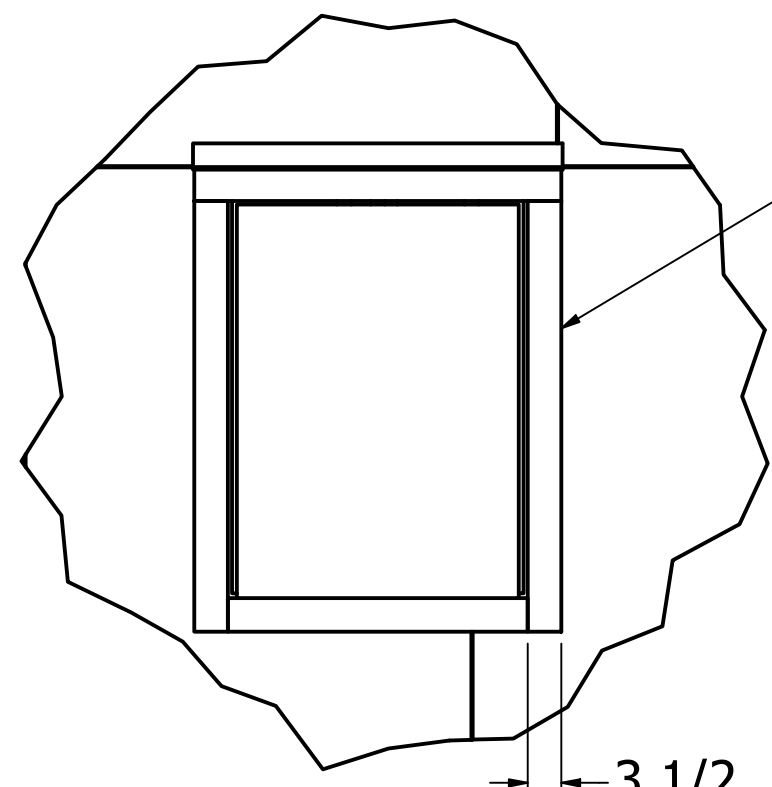
DOOR AND WINDOW ROUGH OPENING DETAILS (HEIGHT DIMENSIONS FROM SURFACE OF TRAILER)



PROPRIETARY AND CONFIDENTIAL
THE INFORMATION CONTAINED IN THIS DRAWING IS THE SOLE PROPERTY OF SOLARCYCLE LLC. ANY REPRODUCTION IN PART OR AS A WHOLE WITHOUT THE WRITTEN PERMISSION OF SOLARCYCLE LLC IS PROHIBITED.

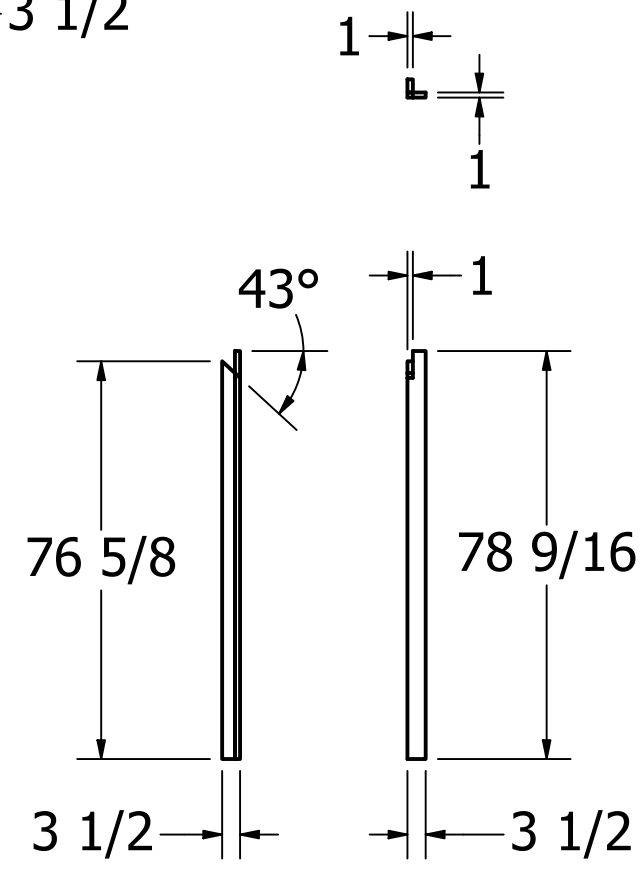
UNLESS OTHERWISE SPECIFIED DIMENSIONS ARE IN INCHES TOLERANCES: FRACTIONAL PART: ± 1/16 FRACTIONAL ASSY: ± 1/8 ANGLE: ± 1°	DRAWN ISAAC	9/11/2022	TITLE	
MATERIAL	CHECKED		SOLARCYCLE ONE TINY HOME	
FINISH	QA		SIZE	DWG NO
DO NOT SCALE DRAWING	MFG		D	SOLARCYCLE TH WD STDS
	APPROVED		SCALE	REV B
	COMMENTS:			SHEET 8 OF 13

TRIM BOARD, FLASHING, AND SOFFIT

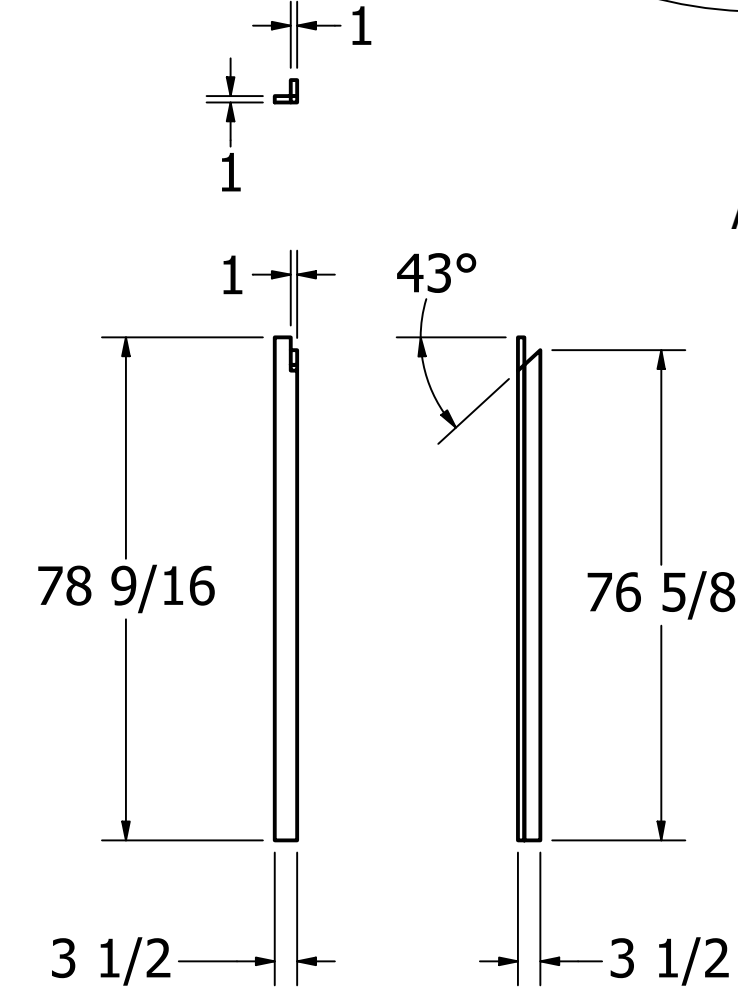
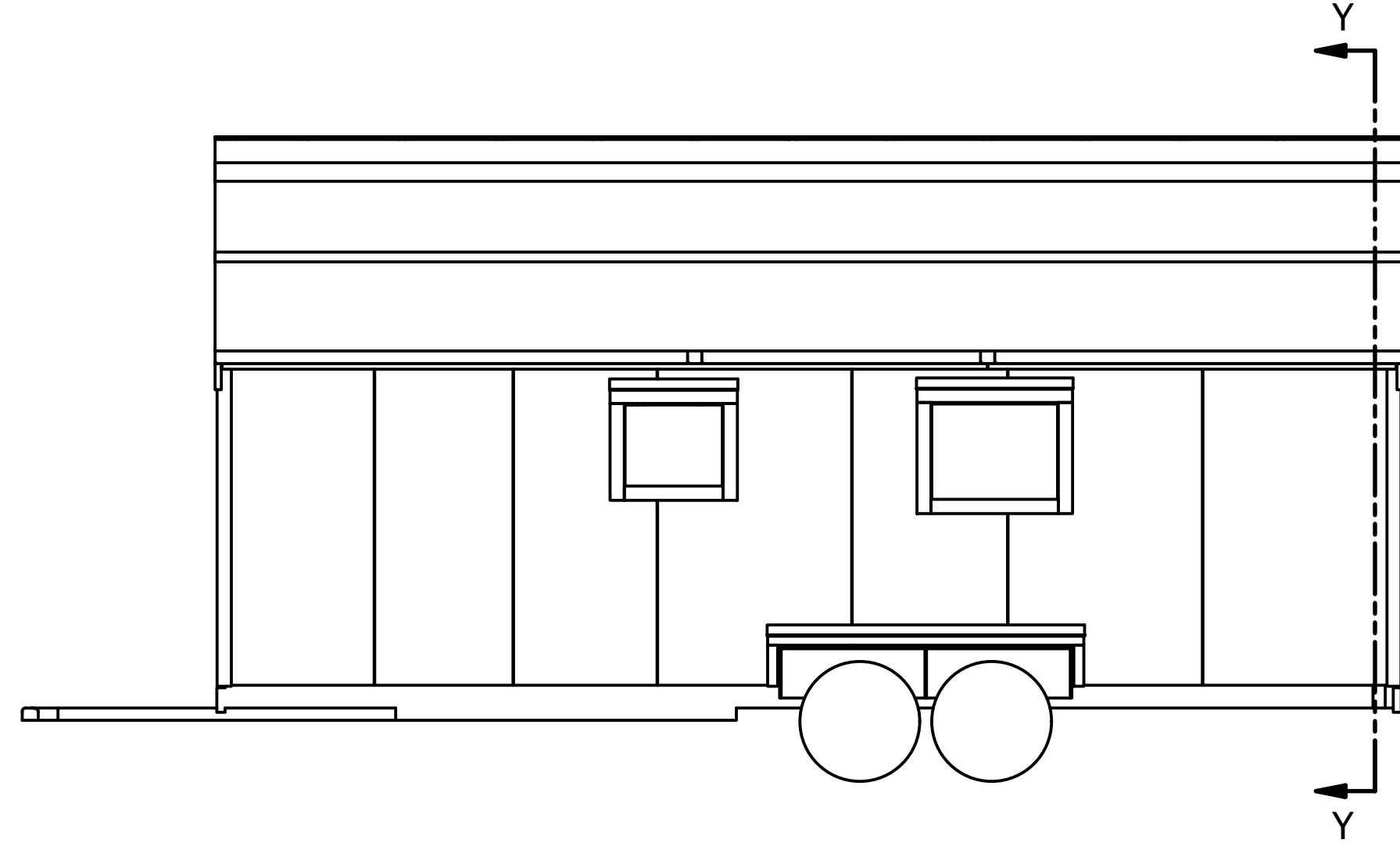


FLASH AND TRIM ALL DOORS AND WINDOWS PER INDUSTRY STANDARDS (WINDOWS SHOWN 1" THICK TRIM BOARD)

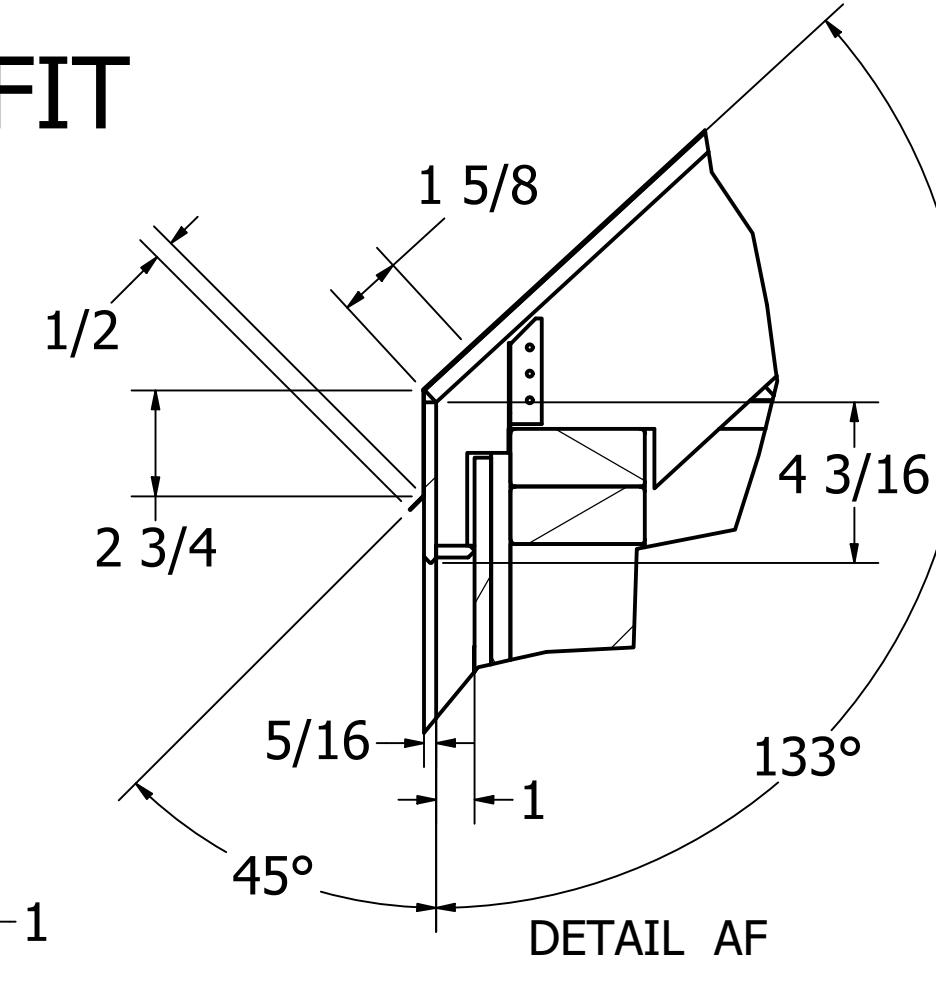
DETAIL AJ



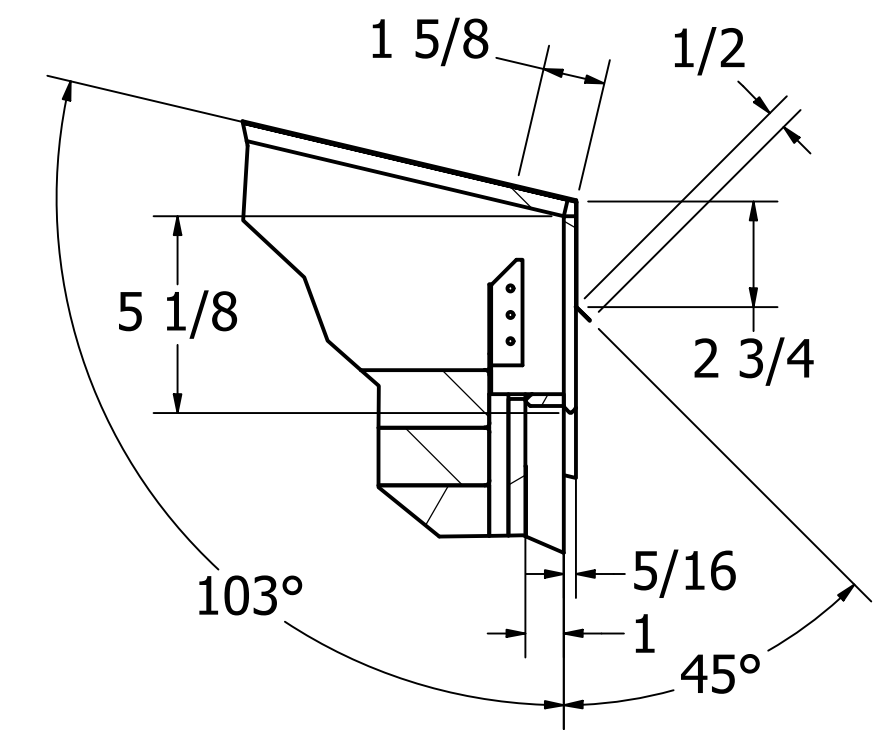
RIGHT FRONT CORNER TRIM



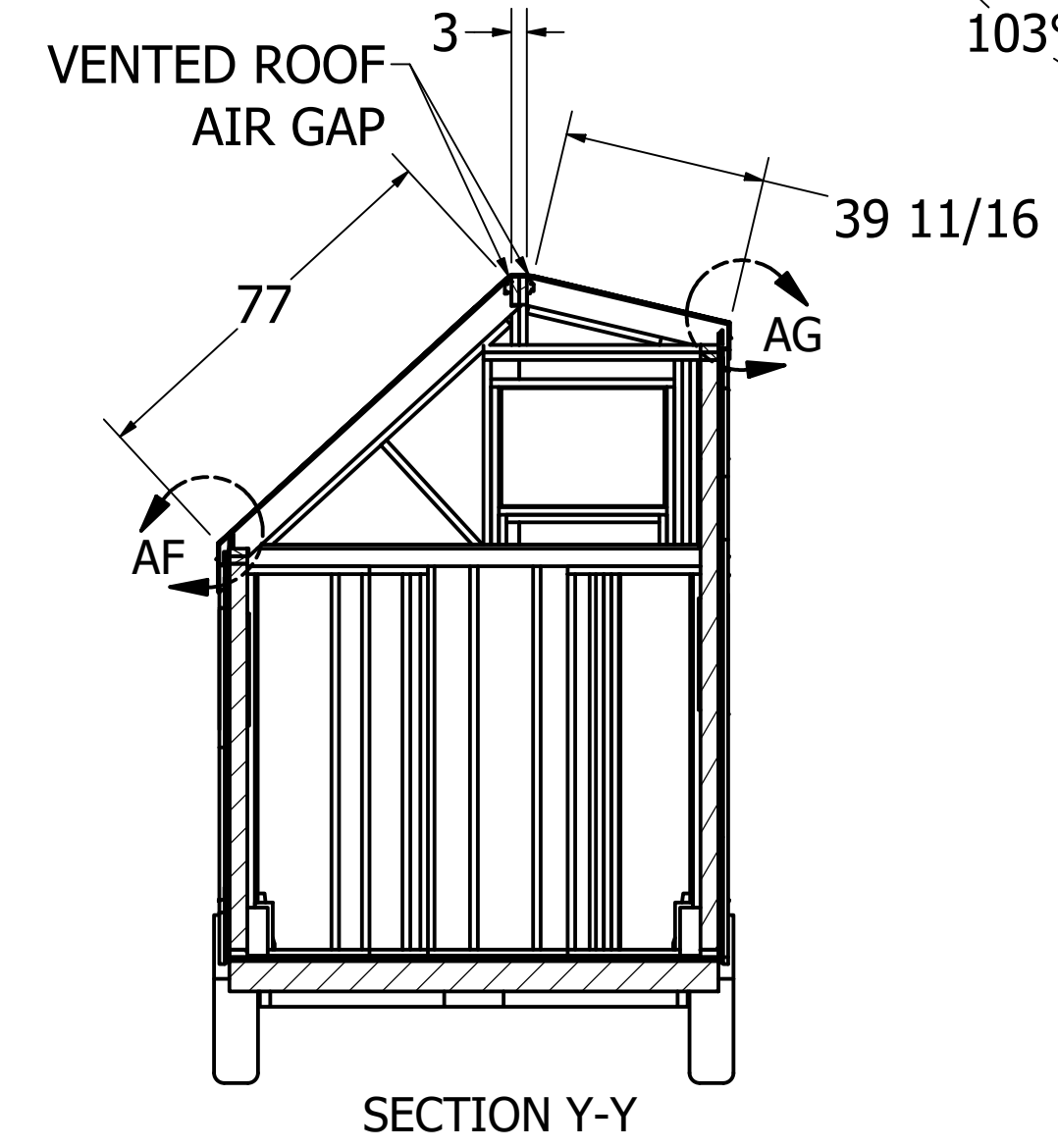
RIGHT BACK CORNER TRIM



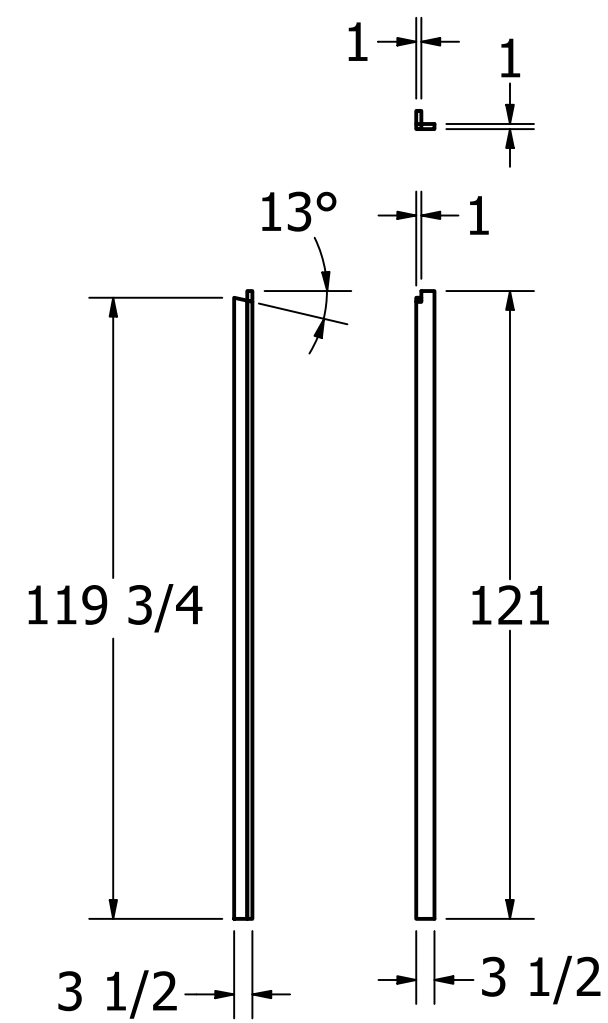
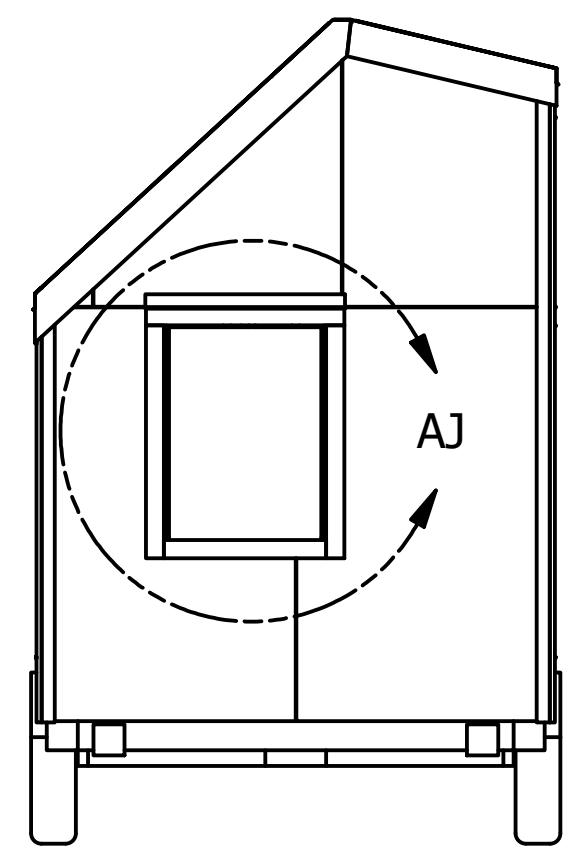
DETAIL AF
RIGHT SOFFIT AND METAL FLASHING



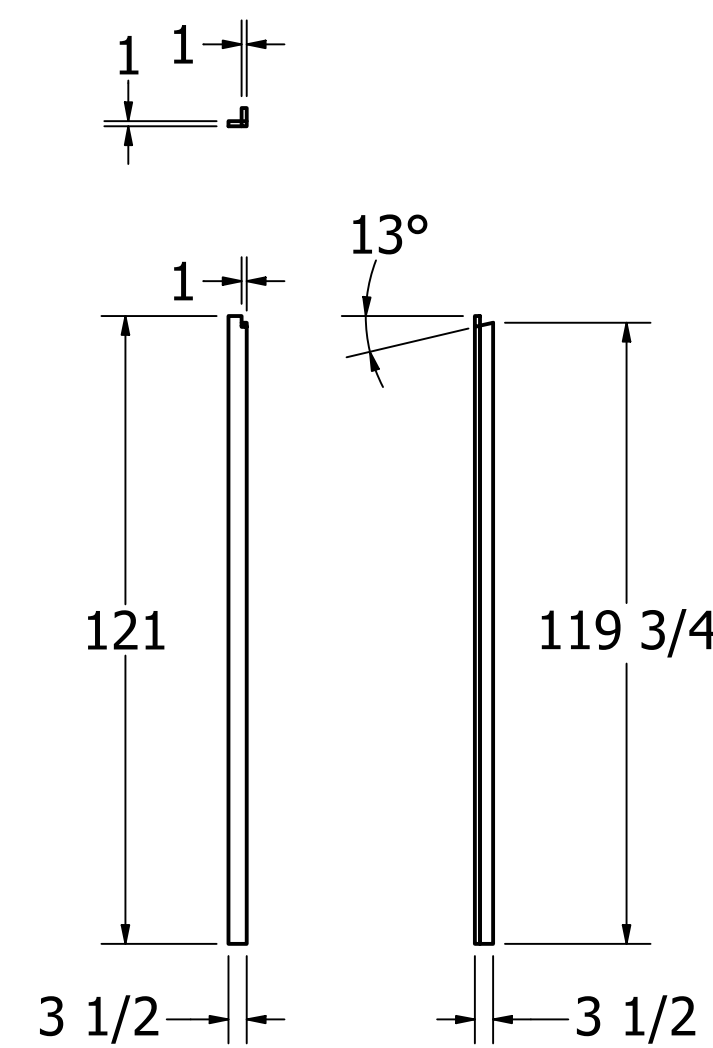
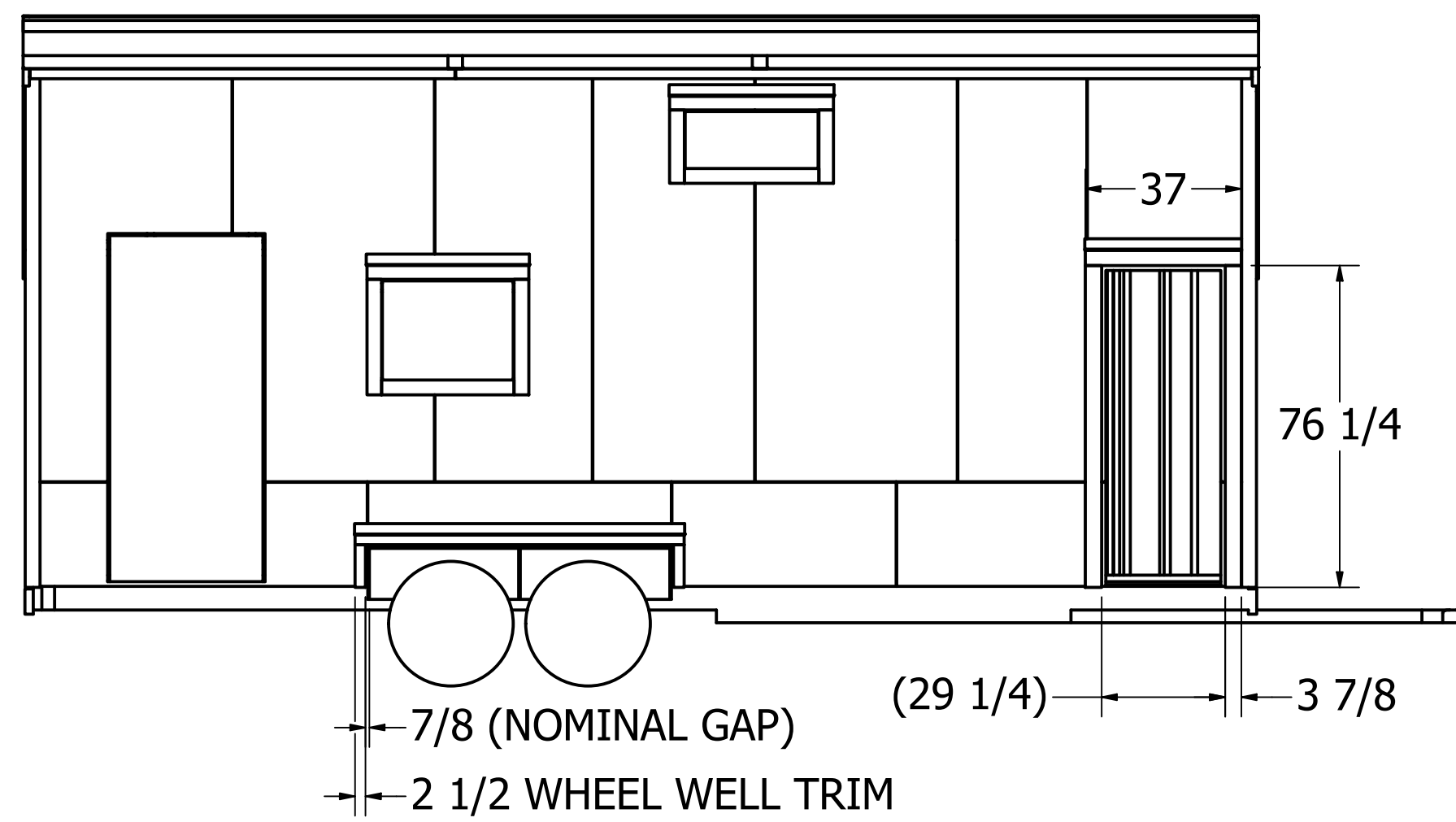
DETAIL AG
LEFT SOFFIT AND METAL FLASHING



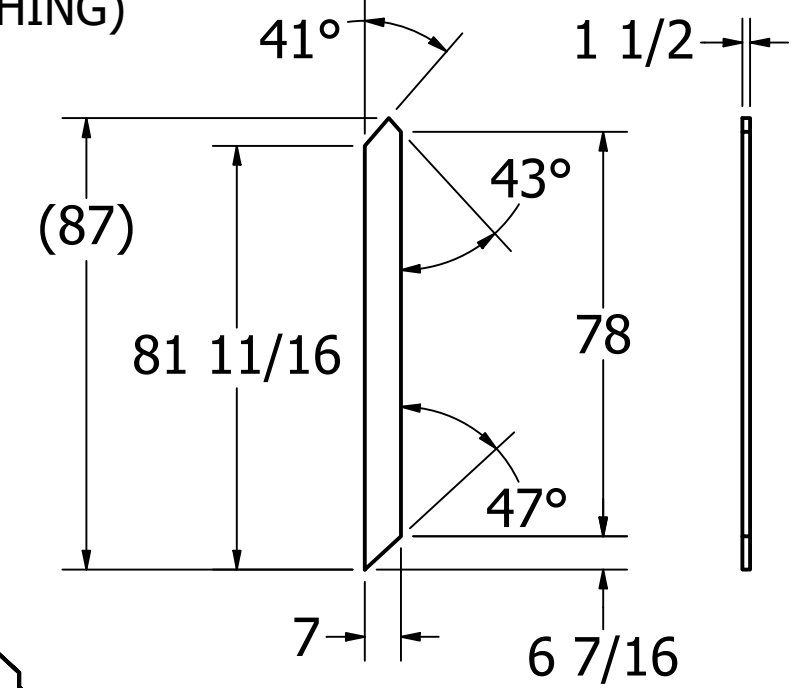
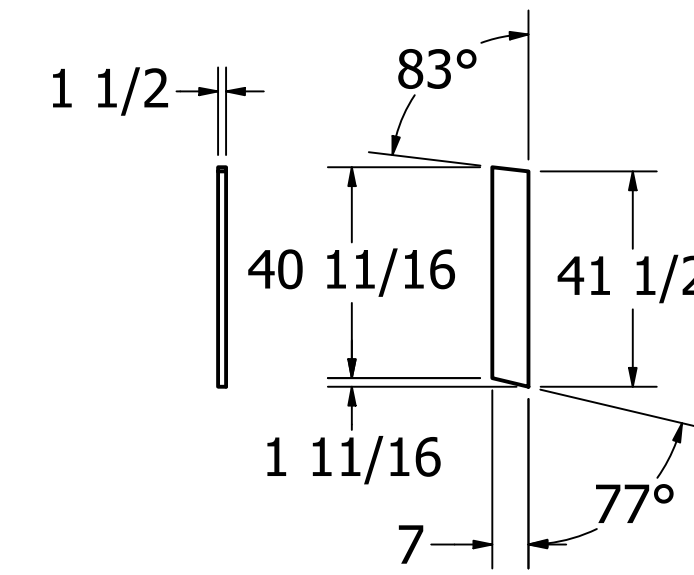
SECTION Y-Y
ICE WATER SHIELD STRIPS (FULL LENGTH OF ROOF OVERLAP TRIM AND FLASHING)



LEFT BACK CORNER TRIM



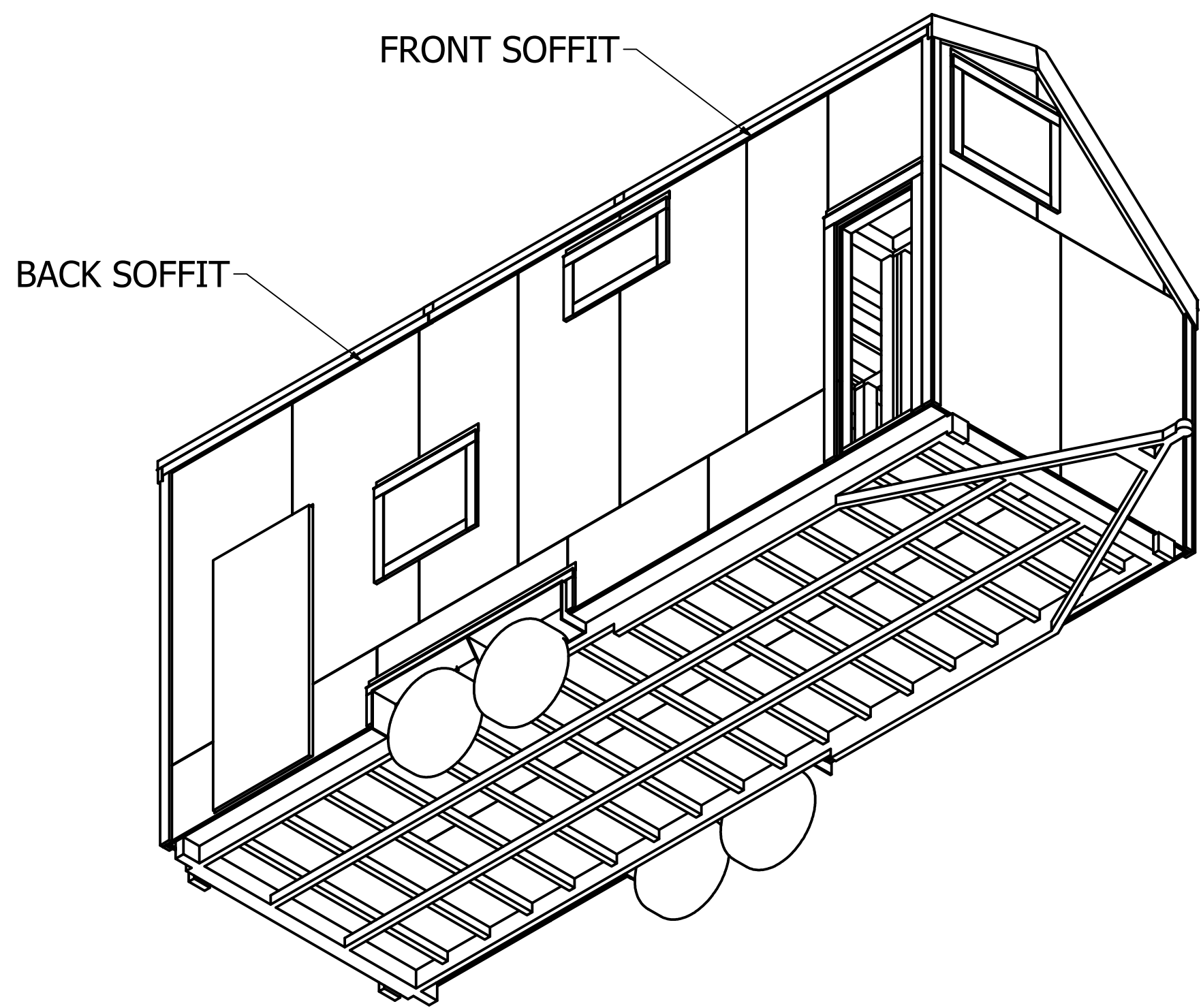
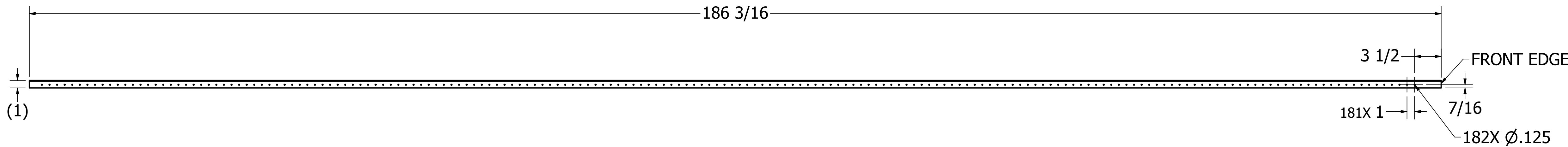
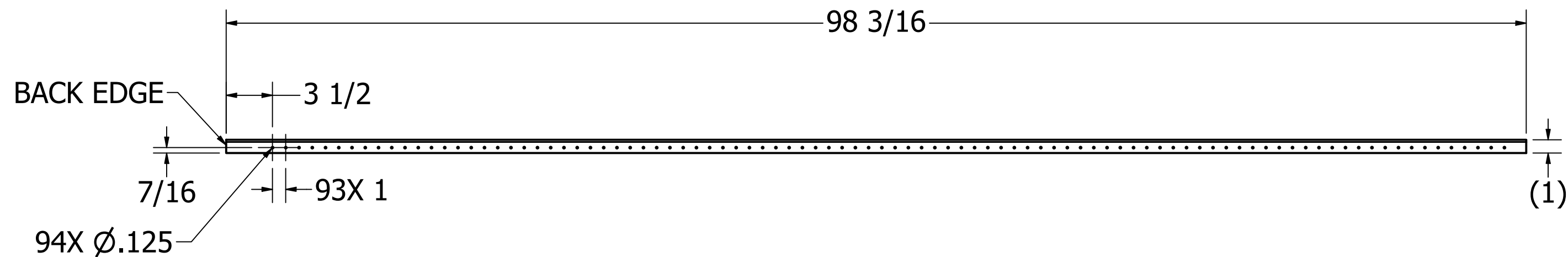
LEFT FRONT CORNER TRIM



UNLESS OTHERWISE SPECIFIED	DRAWN ISAAC	9/11/2022	TITLE	
DIMENSIONS ARE IN INCHES	CHECKED		SOLARCYCLE ONE TINY HOME	
TOLERANCES:	QA		SIZE	DWG NO
FRACTIONAL PART: ± 1/16	MFG		D	SOLARCYCLE TH WD STDS
FRACTIONAL ASSY: ± 1/8	APPROVED		SCALE	REV
ANGLE: ± 1°	COMMENTS:			B
MATERIAL				SHEET 9 OF 13
FINISH				
DO NOT SCALE DRAWING				

PROPRIETARY AND CONFIDENTIAL
THE INFORMATION CONTAINED IN THIS DRAWING IS THE SOLE PROPERTY OF SOLARCYCLE LLC. ANY REPRODUCTION IN PART OR AS A WHOLE WITHOUT THE WRITTEN PERMISSION OF SOLARCYCLE LLC IS PROHIBITED.

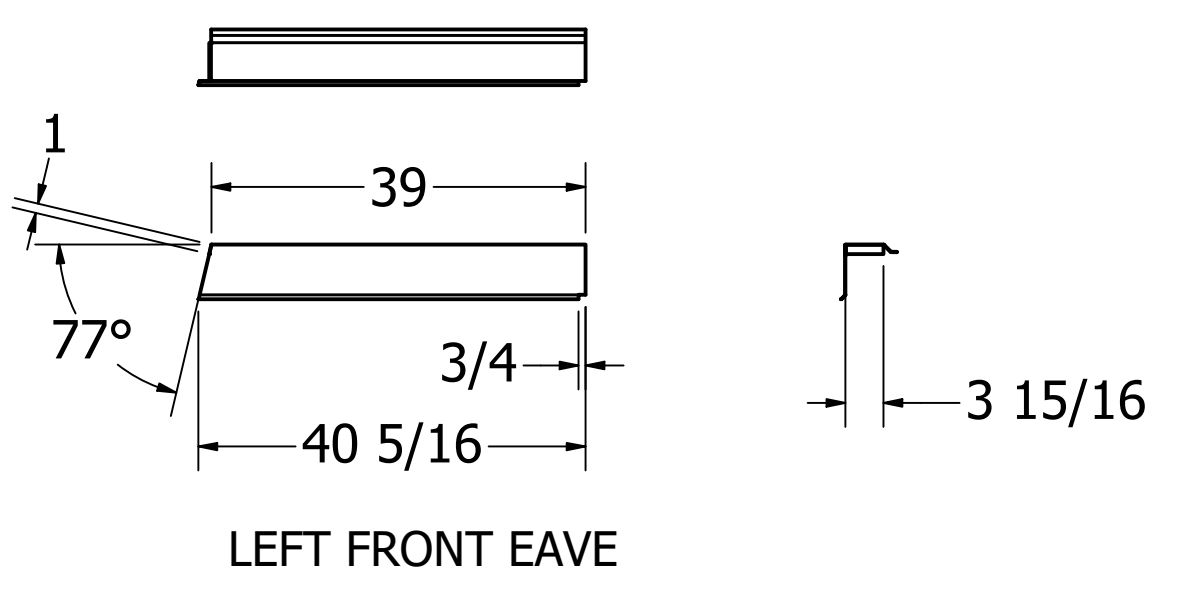
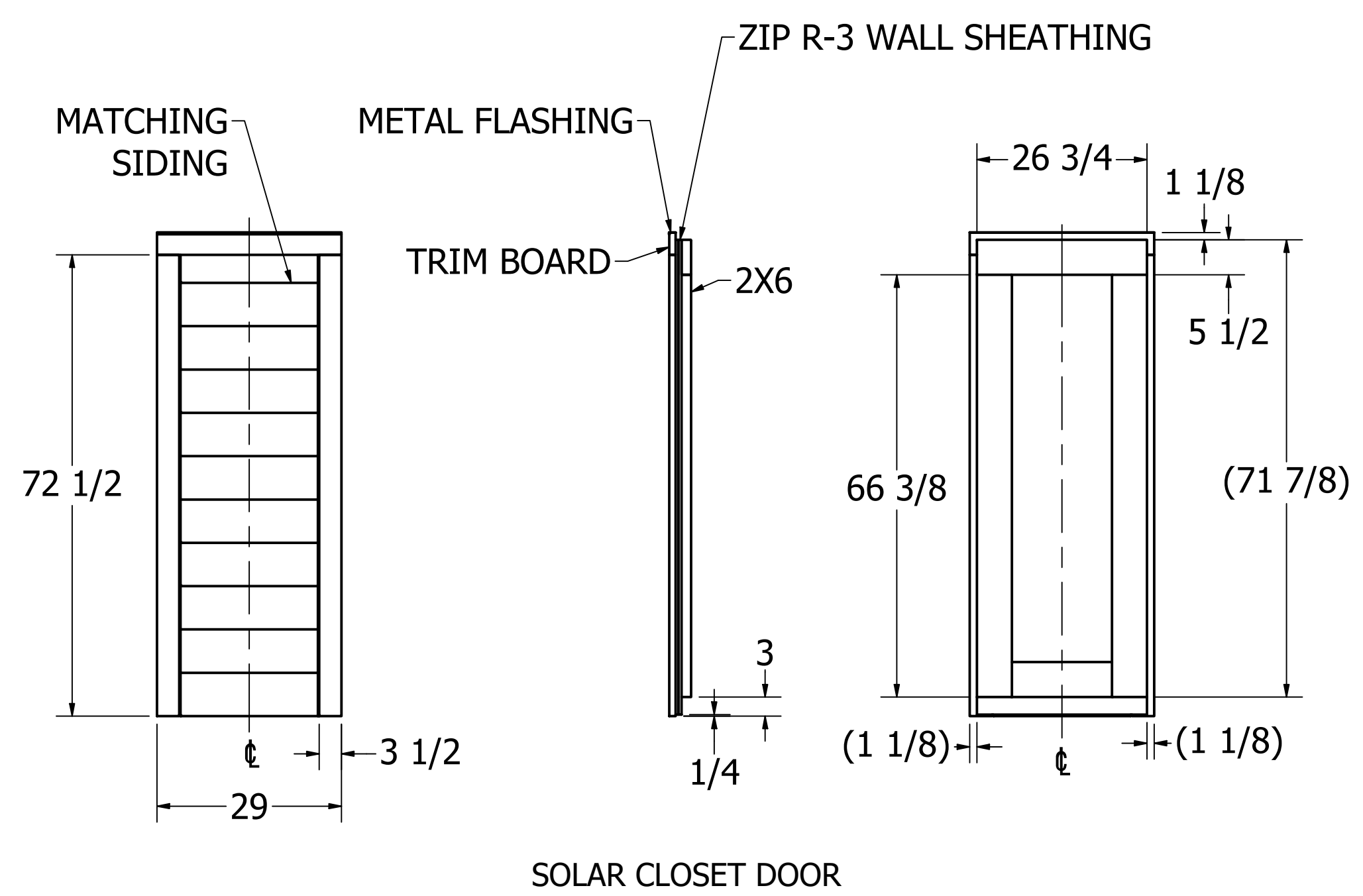
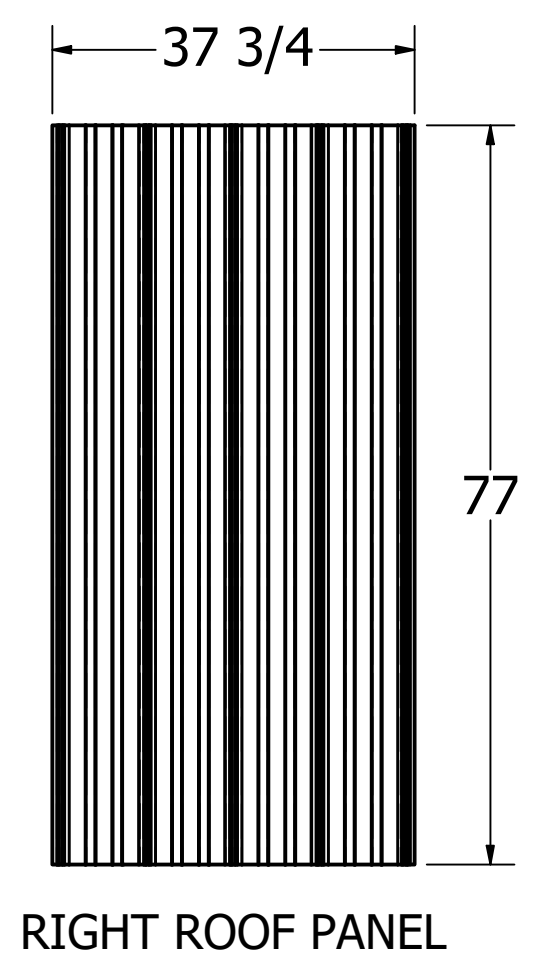
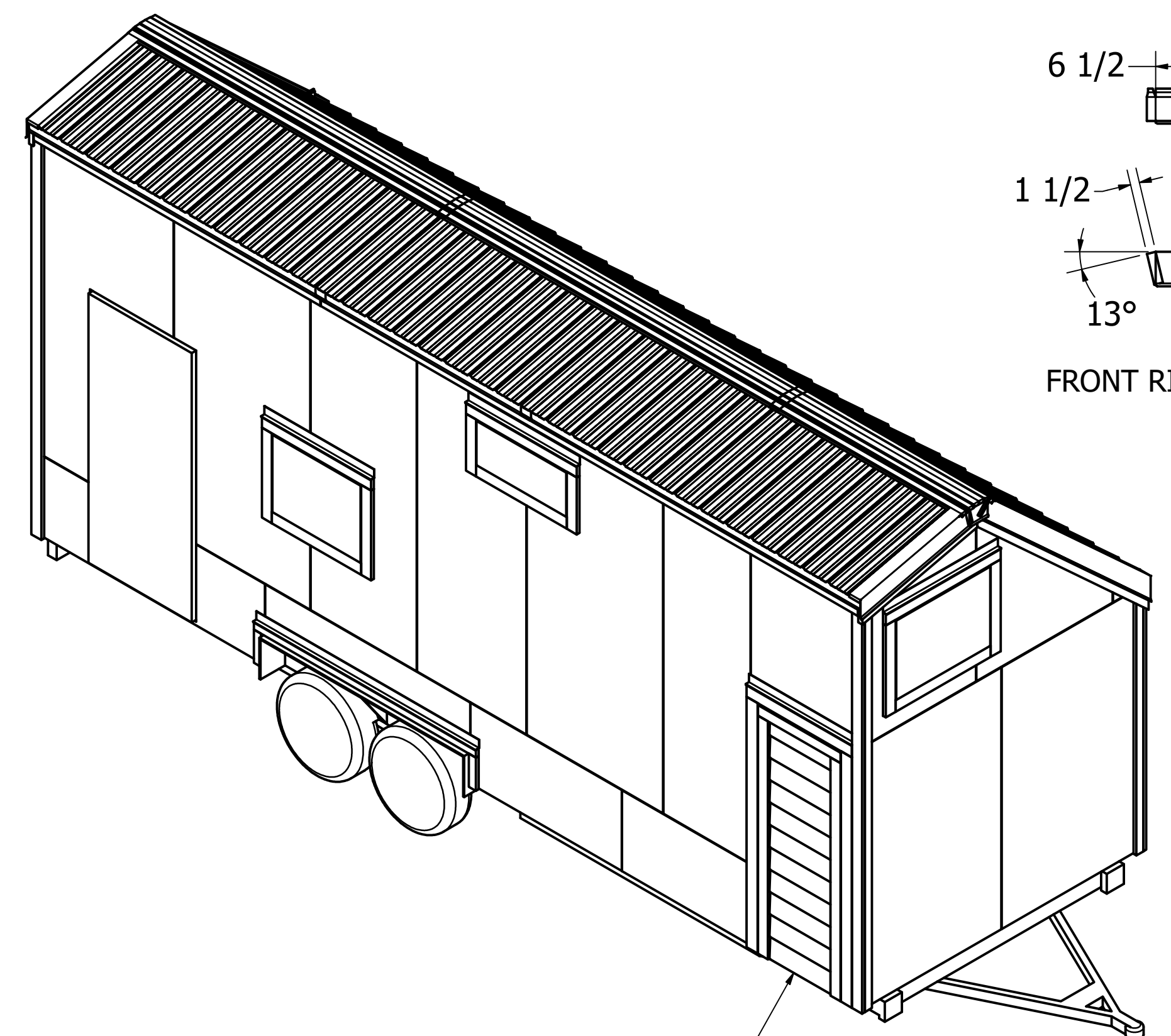
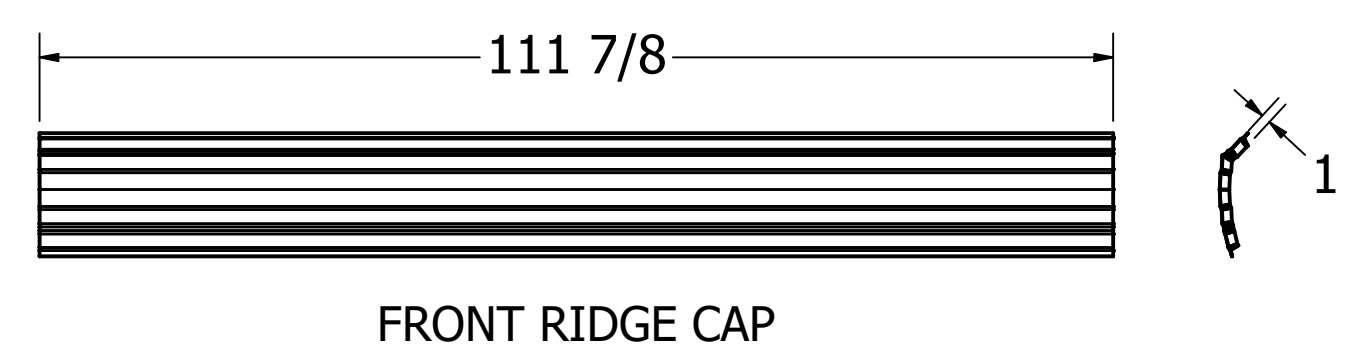
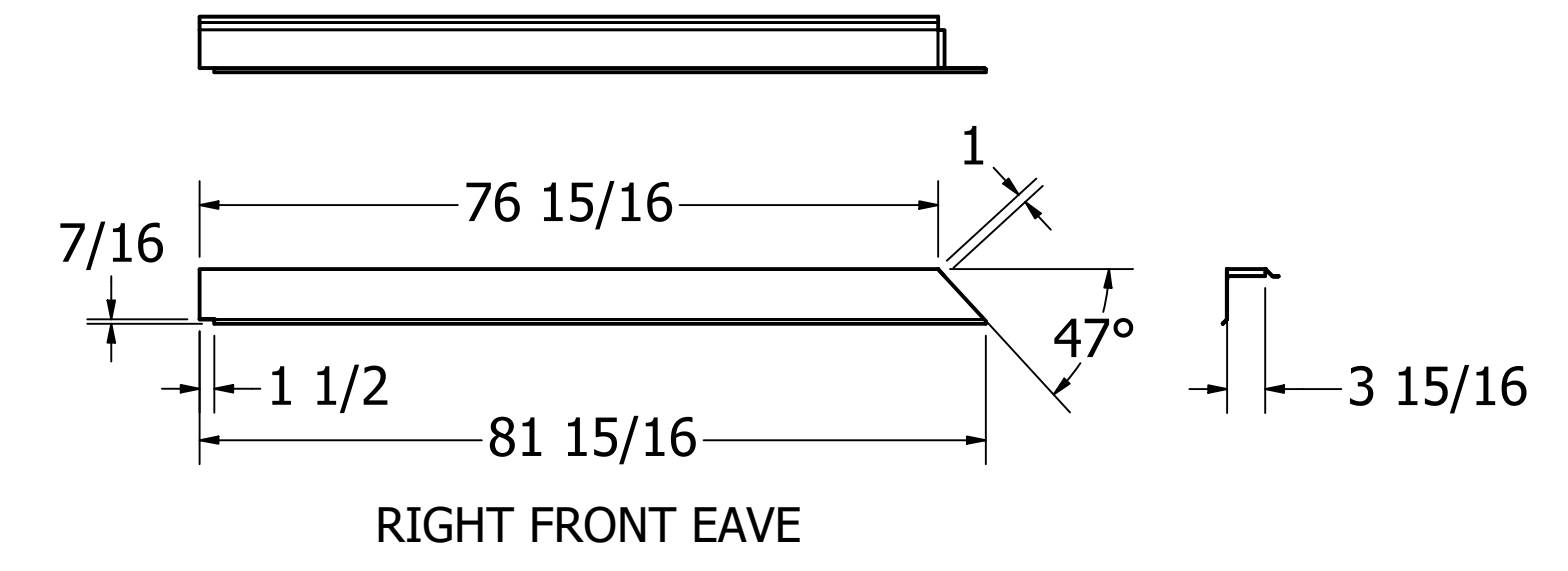
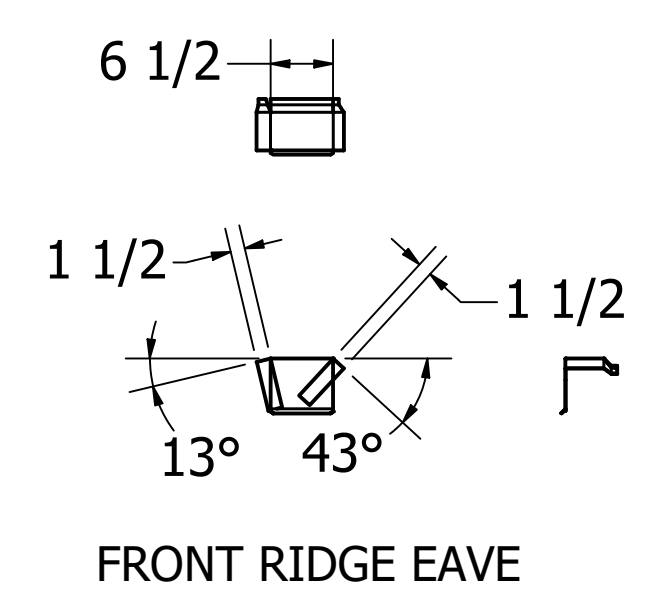
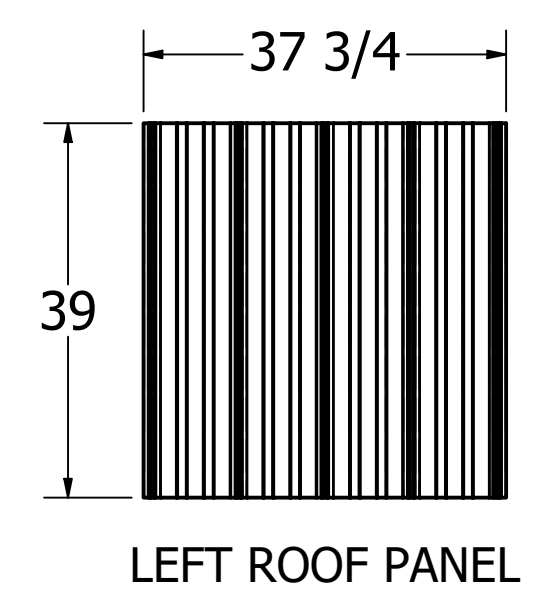
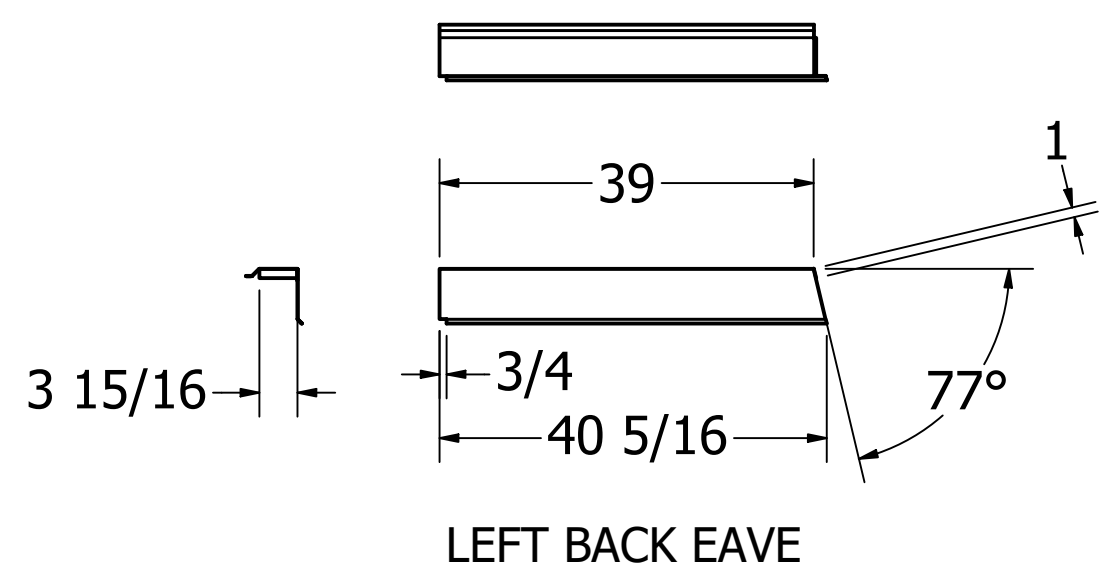
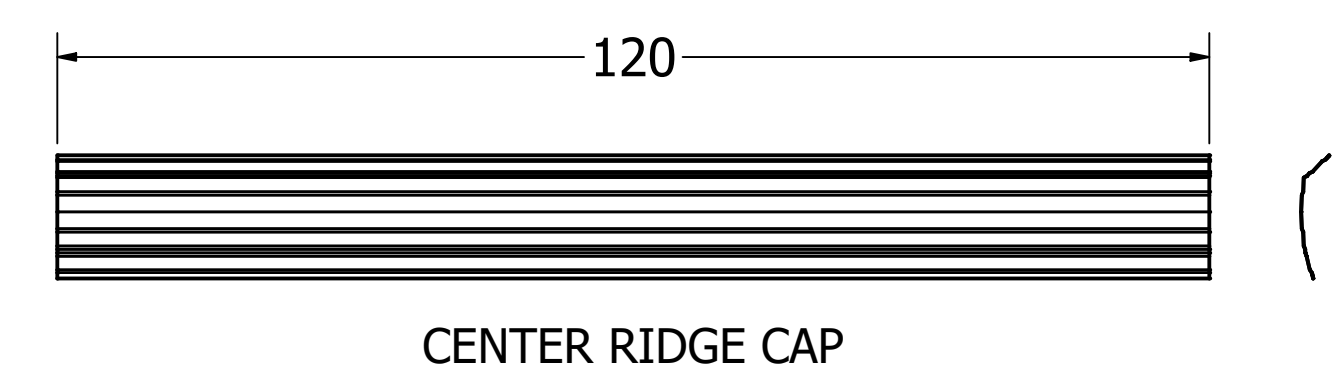
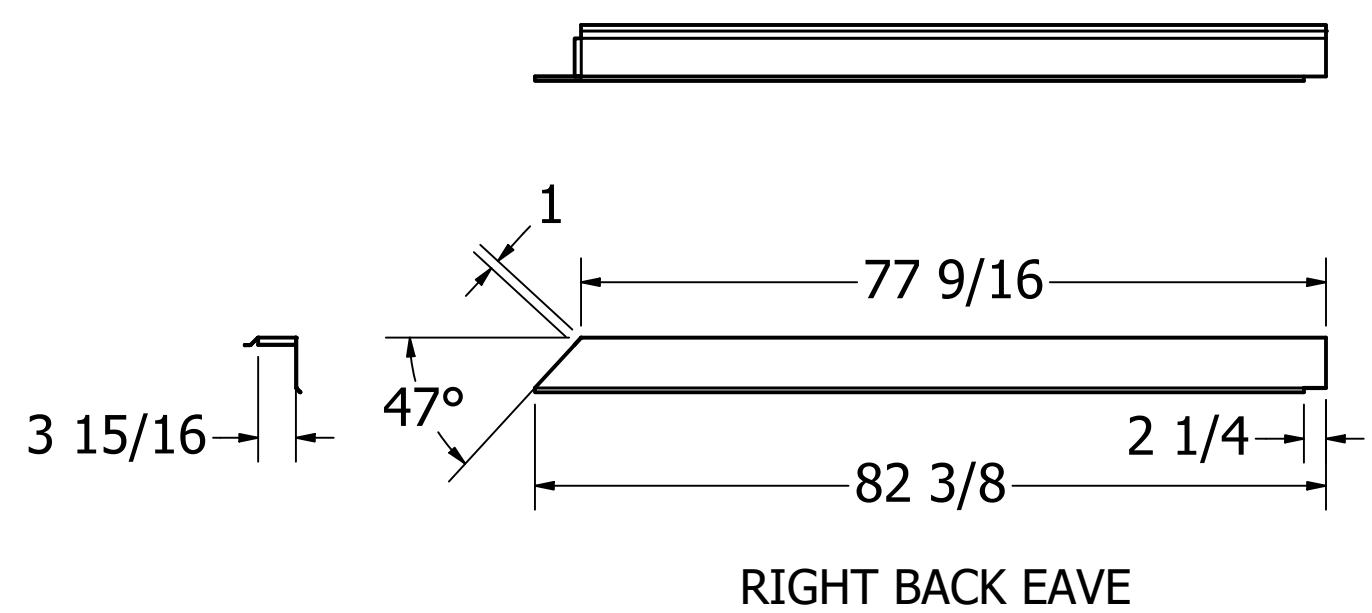
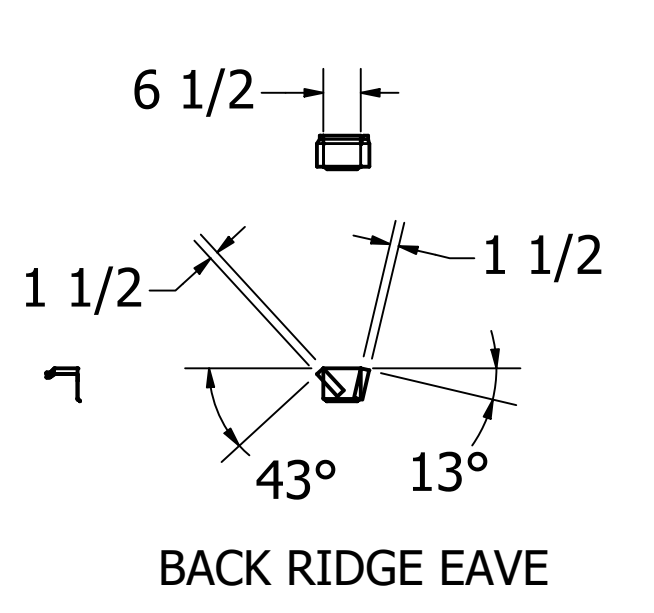
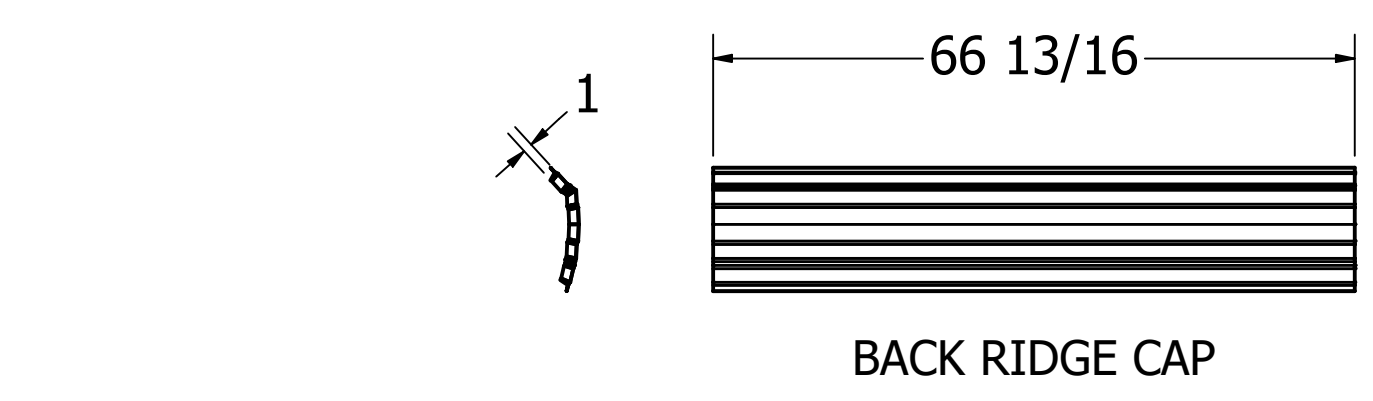
SOFFIT DETAIL



PROPRIETARY AND CONFIDENTIAL
 THE INFORMATION CONTAINED IN THIS DRAWING IS THE SOLE PROPERTY OF SOLARCYCLE LLC. ANY REPRODUCTION IN PART OR AS A WHOLE WITHOUT THE WRITTEN PERMISSION OF SOLARCYCLE LLC IS PROHIBITED.

UNLESS OTHERWISE SPECIFIED	DRAWN	ISAAC	9/11/2022	TITLE	
DIMENSIONS ARE IN INCHES	CHECKED			SOLARCYCLE ONE TINY HOME	
TOLERANCES:	QA			SIZE	REV
FRACTIONAL PART: ± 1/16	MFG			D	B
FRACTIONAL ASSY: ± 1/8	APPROVED			DWG NO	
ANGLE: ± 1°	COMMENTS:			SOLARCYCLE TH WD STDS	
MATERIAL				SCALE	SHEET 10 OF 13
FINISH					
DO NOT SCALE DRAWING					

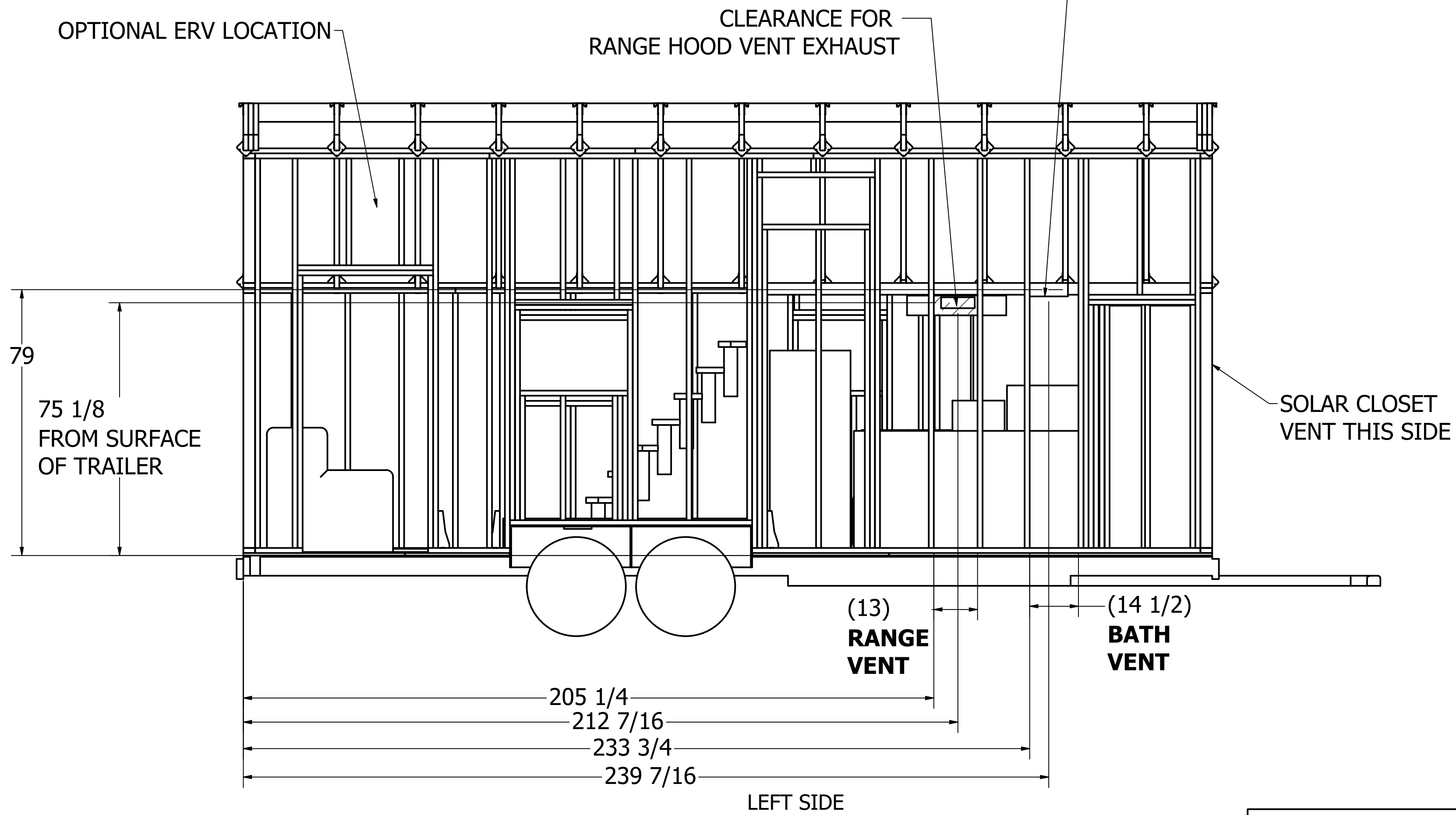
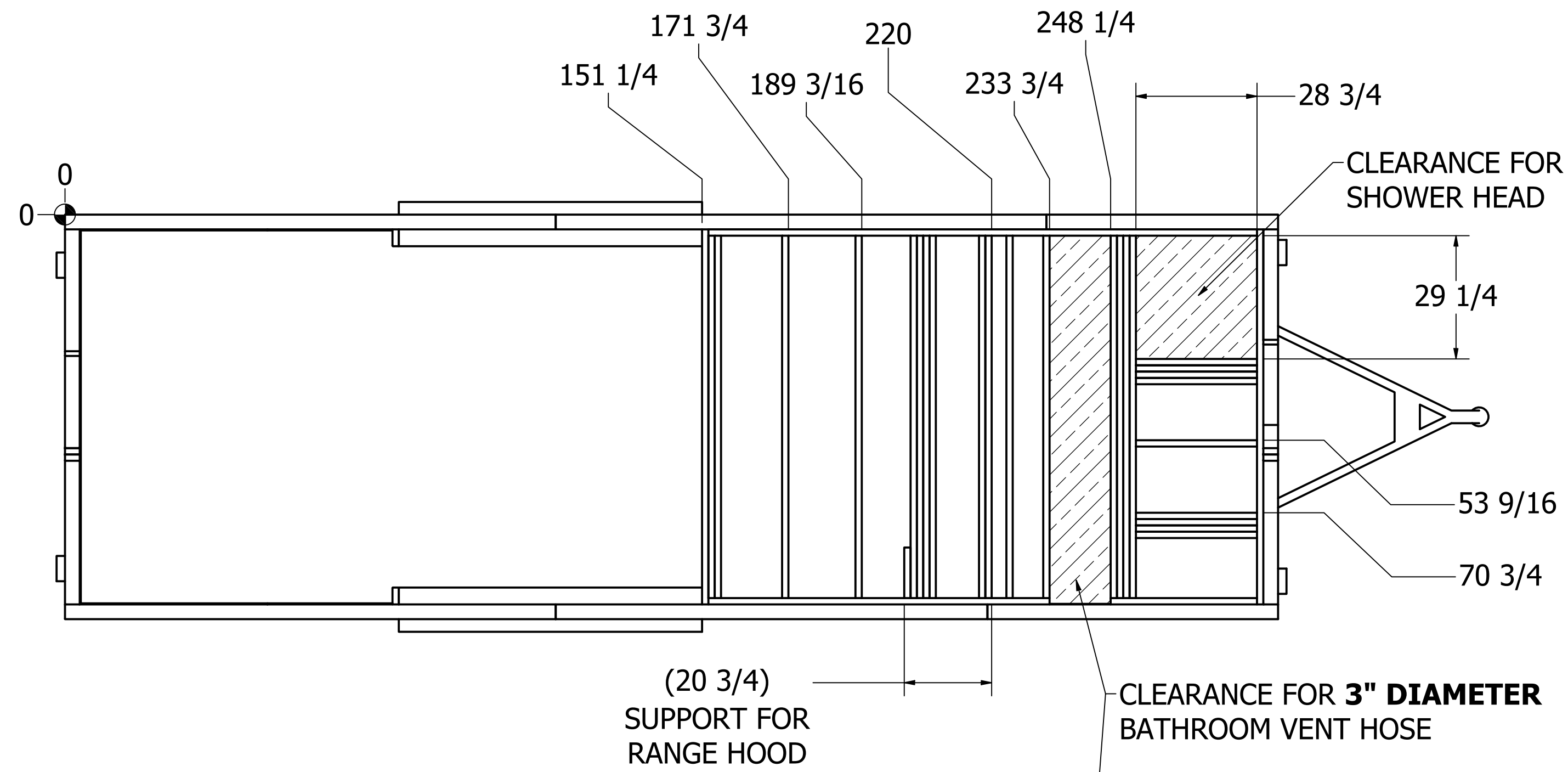
METAL ROOF AND CLOSET DOOR DETAIL (INSTALL PER MANUFACTURER'S INSTRUCTIONS)



PROPRIETARY AND CONFIDENTIAL
THE INFORMATION CONTAINED IN THIS DRAWING IS THE SOLE PROPERTY OF SOLARCYCLE LLC. ANY REPRODUCTION IN PART OR AS A WHOLE WITHOUT THE WRITTEN PERMISSION OF SOLARCYCLE LLC IS PROHIBITED.

UNLESS OTHERWISE SPECIFIED	DRAWN ISAAC	9/11/2022	TITLE	
DIMENSIONS ARE IN INCHES	CHECKED		SOLARCYCLE ONE TINY HOME	
TOLERANCES:	QA		SIZE	DWG NO
FRACTIONAL PART: ± 1/16	MFG		D	SOLARCYCLE TH WD STDS
FRACTIONAL ASSY: ± 1/8	APPROVED		SCALE	REV B
ANGLE: ± 1°	COMMENTS:			SHEET 11 OF 13
MATERIAL				
FINISH				
DO NOT SCALE DRAWING				

TINY HOME VENT DETAILS



UNLESS OTHERWISE SPECIFIED	DRAWN ISAAC	9/11/2022	TITLE	
DIMENSIONS ARE IN INCHES	CHECKED		SOLARCYCLE ONE TINY HOME	
TOLERANCES:	QA		SIZE	DWG NO
FRACTIONAL PART: ± 1/16	MFG		D	SOLARCYCLE TH WD STDS
FRACTIONAL ASSY: ± 1/8	APPROVED		SCALE	REV
ANGLE: ± 1°	COMMENTS:			B
				SHEET 12 OF 13

PROPRIETARY AND CONFIDENTIAL
 THE INFORMATION CONTAINED IN THIS DRAWING IS THE SOLE PROPERTY OF SOLARCYCLE LLC. ANY REPRODUCTION IN PART OR AS A WHOLE WITHOUT THE WRITTEN PERMISSION OF SOLARCYCLE LLC IS PROHIBITED.

8 | 7 | 6 | 5 | 4 | 3 | 2 | 1

8 | 7 | 6 | 5 | 4 | 3 | 2 | 1

D

D

C

C

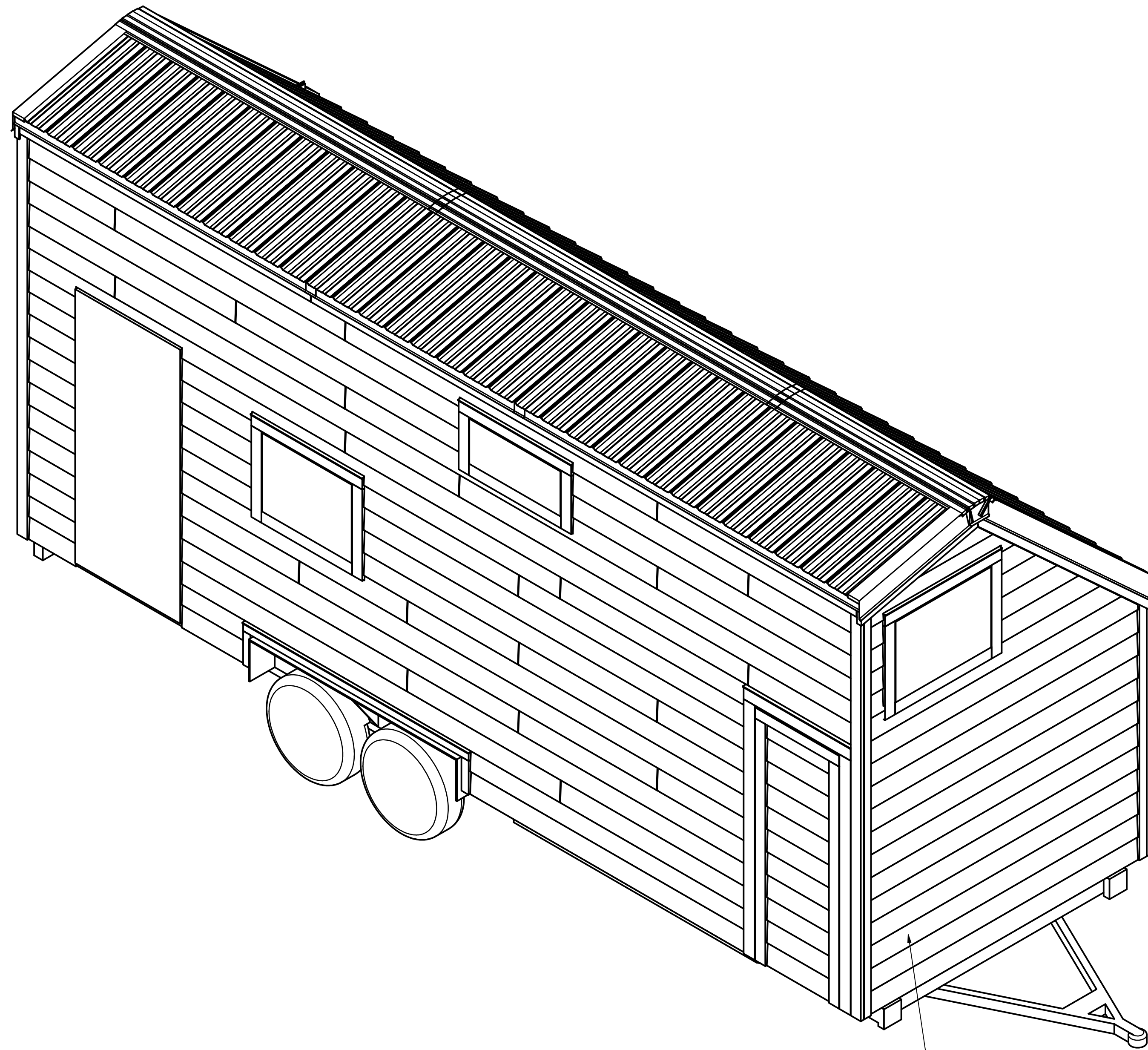
B

B

A

A

SIDING PER MANUFACTURER'S INSTRUCTIONS
(INTERIOR FINISH AND ELECTRICAL VARIES, NOT SHOWN)



RECOMMENDED ELECTRICAL
CONNECTION LOCATION

PROPRIETARY AND CONFIDENTIAL
THE INFORMATION CONTAINED IN THIS
DRAWING IS THE SOLE PROPERTY OF
SOLARCYLE LLC. ANY REPRODUCTION
IN PART OR AS A WHOLE WITHOUT THE
WRITTEN PERMISSION OF SOLARCYLE LLC IS
PROHIBITED.

UNLESS OTHERWISE SPECIFIED	DRAWN ISAAC	9/11/2022	TITLE	
DIMENSIONS ARE IN INCHES	CHECKED		SOLARCYLE ONE TINY HOME	
TOLERANCES:	QA		SIZE	D
FRACTIONAL PART: ± 1/16	MFG		DWG NO	SOLARCYLE TH WD STDS
FRACTIONAL ASSY: ± 1/8	APPROVED		SCALE	
ANGLE: ± 1°	COMMENTS:		REV	B
MATERIAL			SHEET 13 OF 13	
FINISH				
DO NOT SCALE DRAWING				