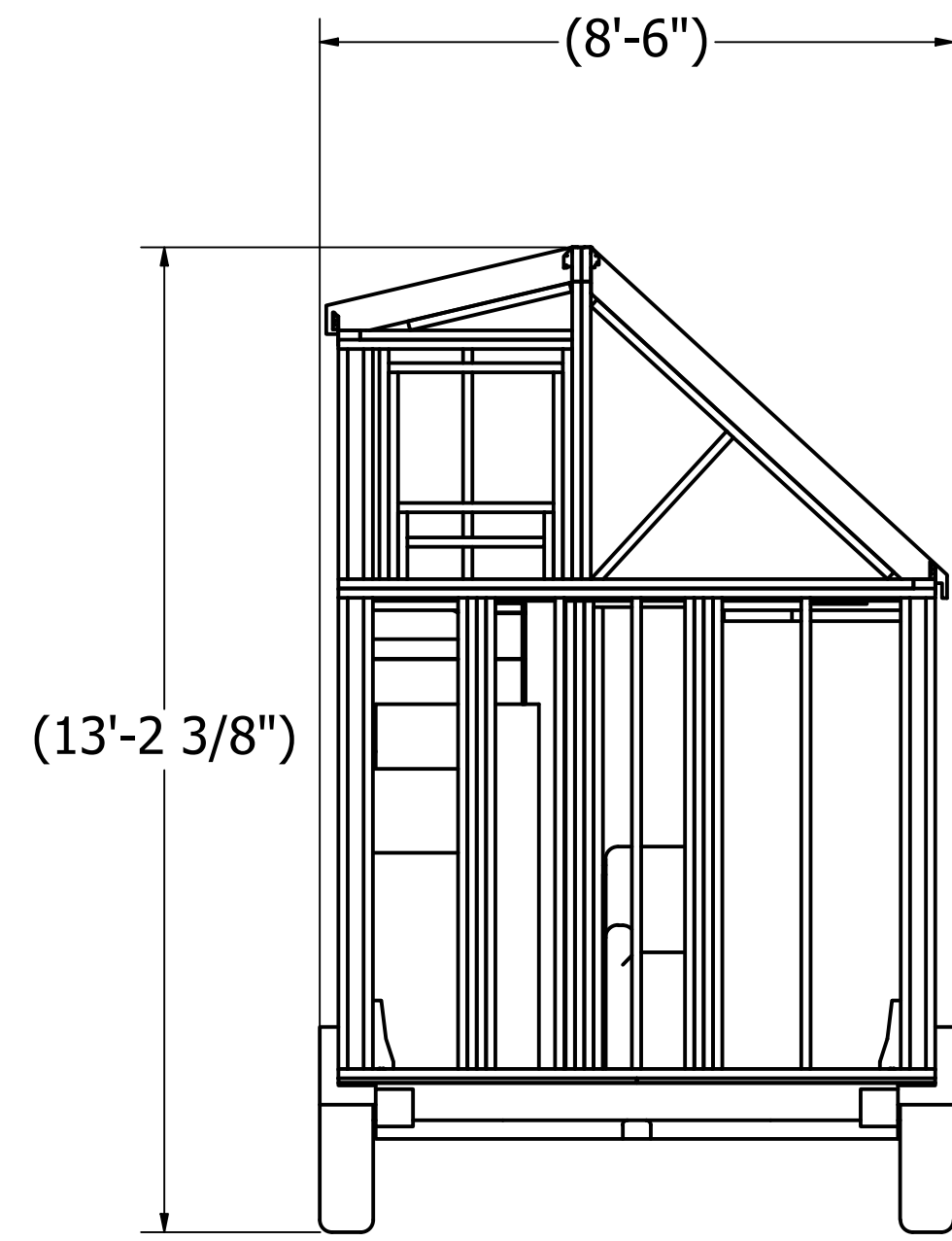
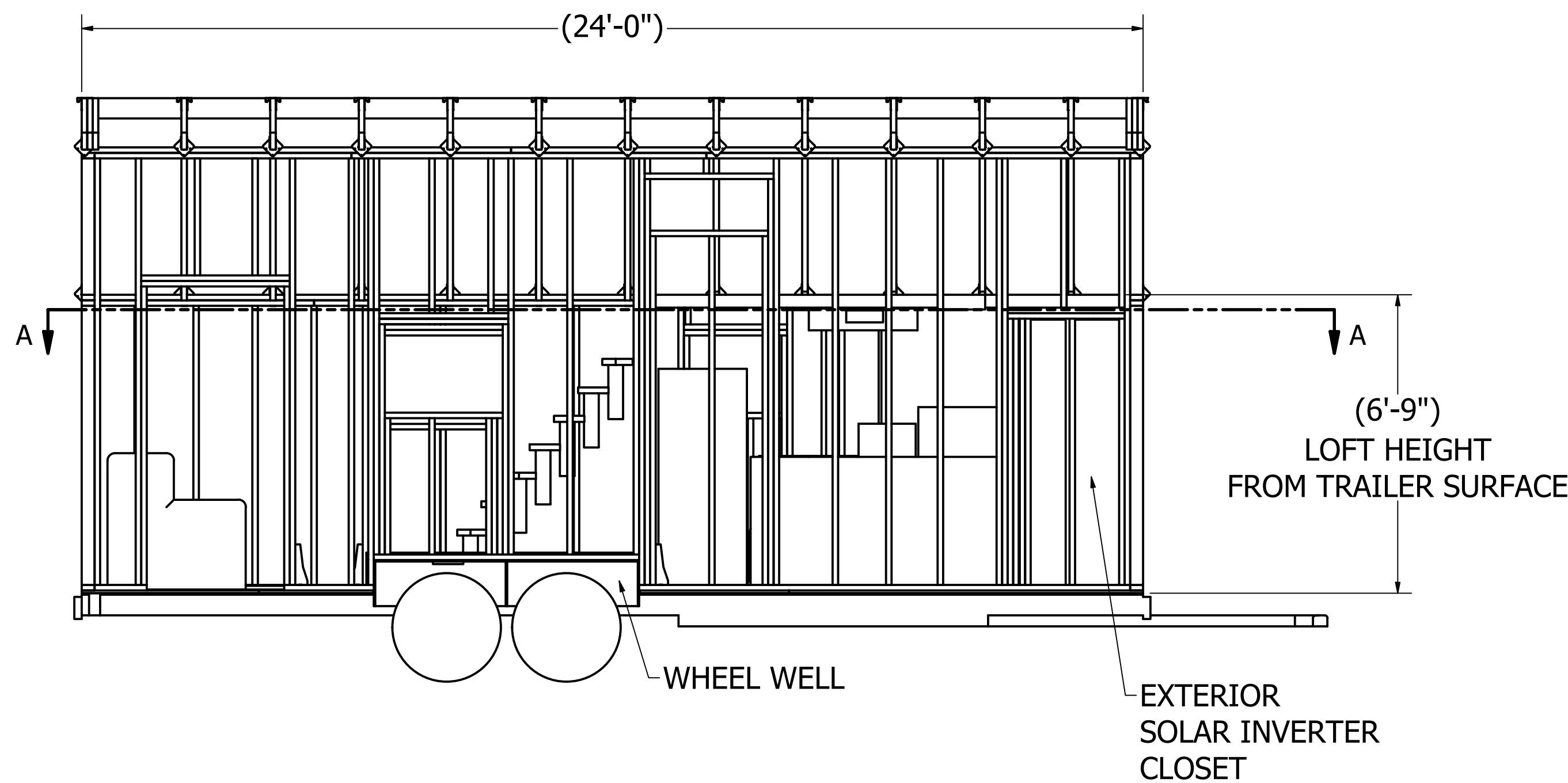
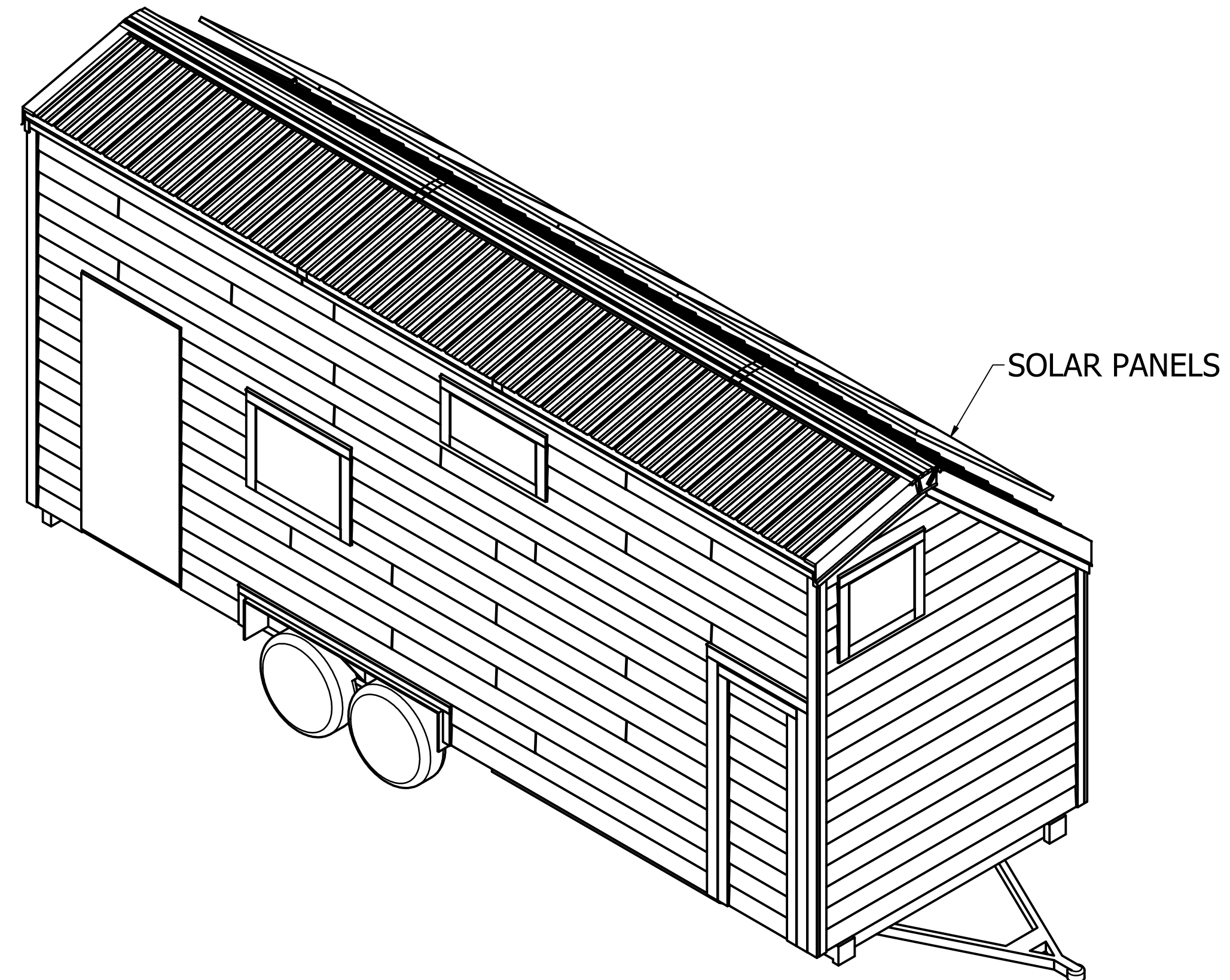
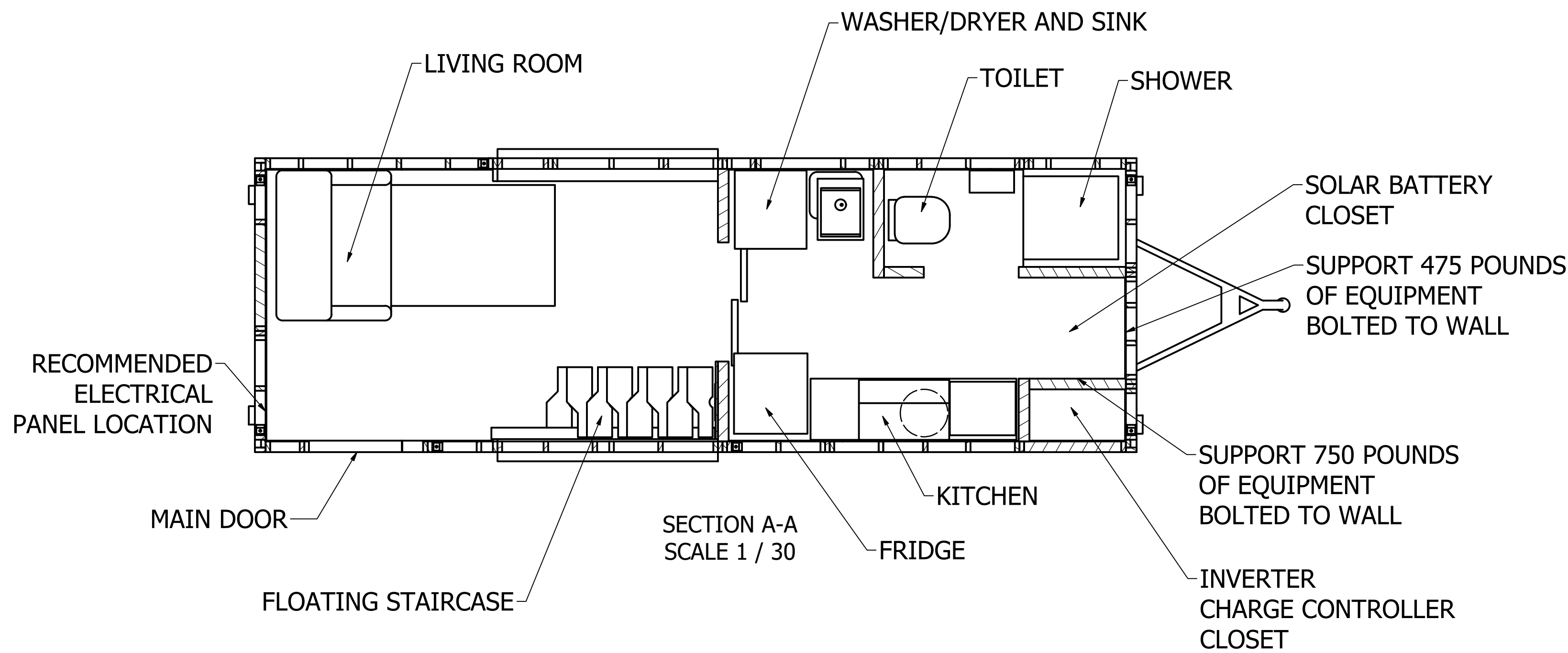


SOLARCYCLE TINY HOME

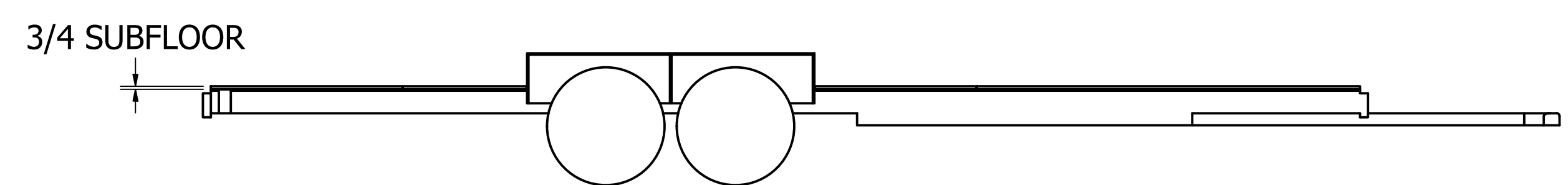
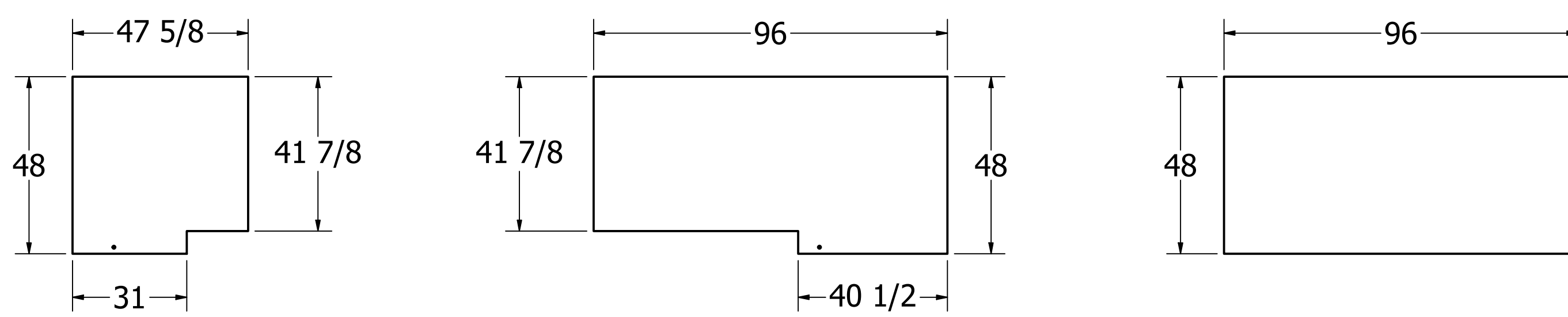
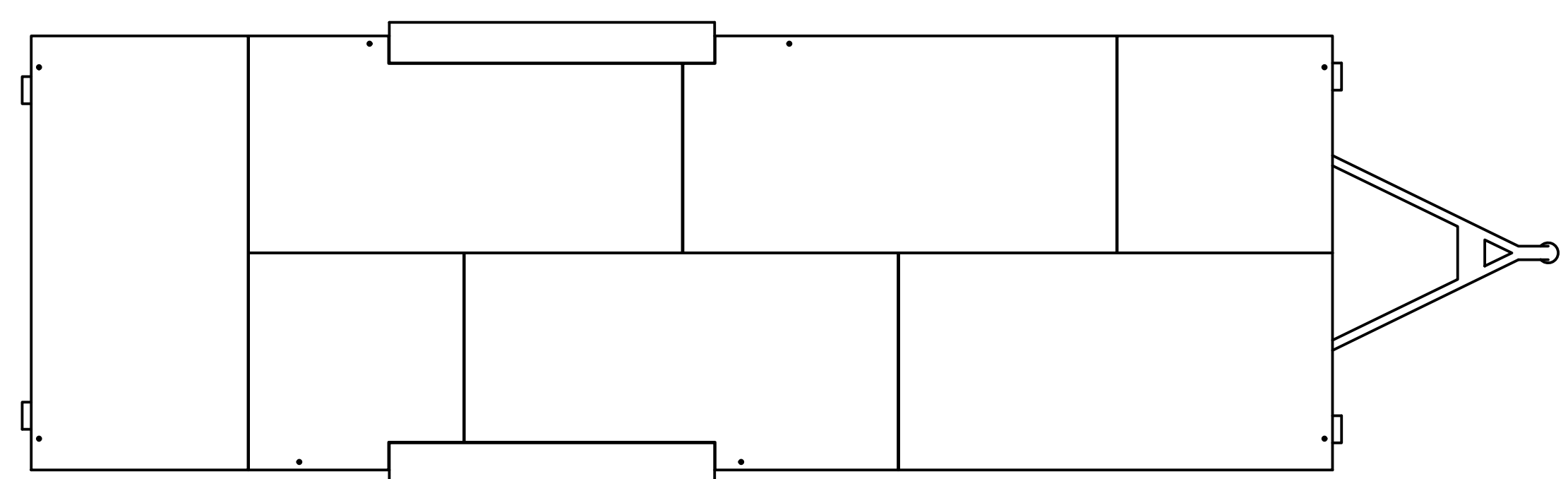
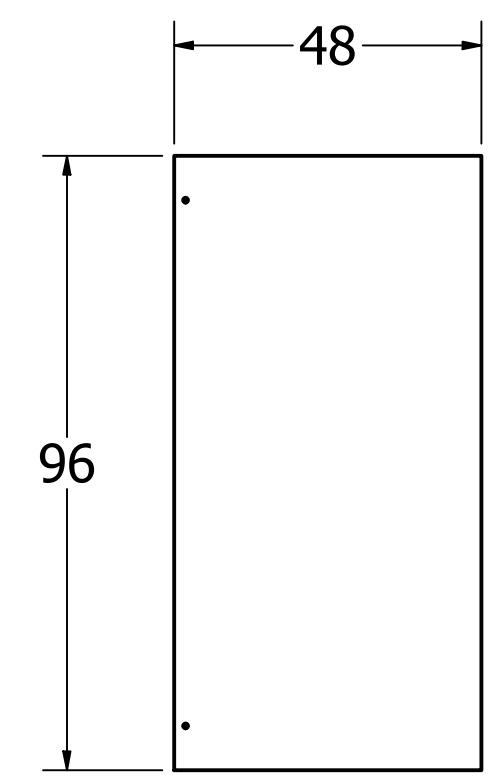
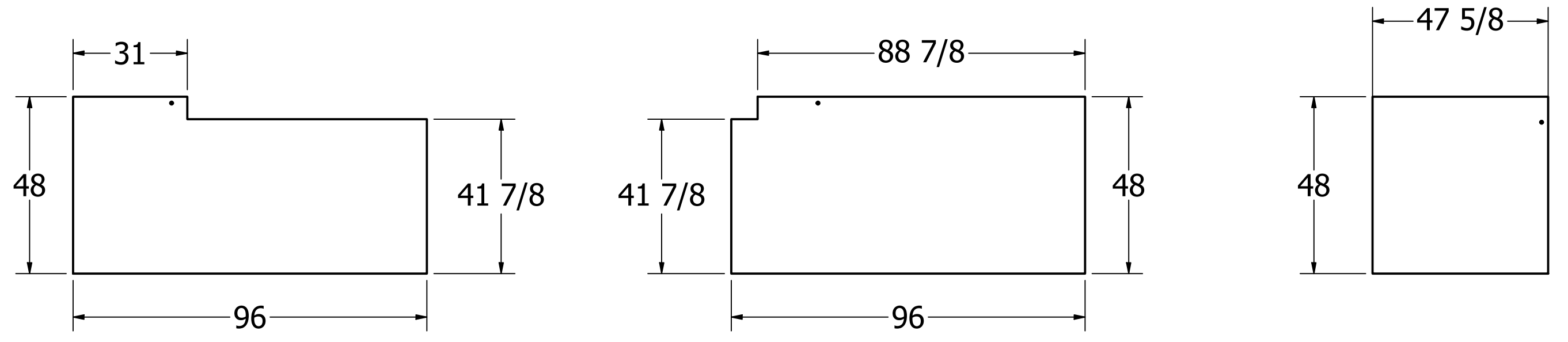
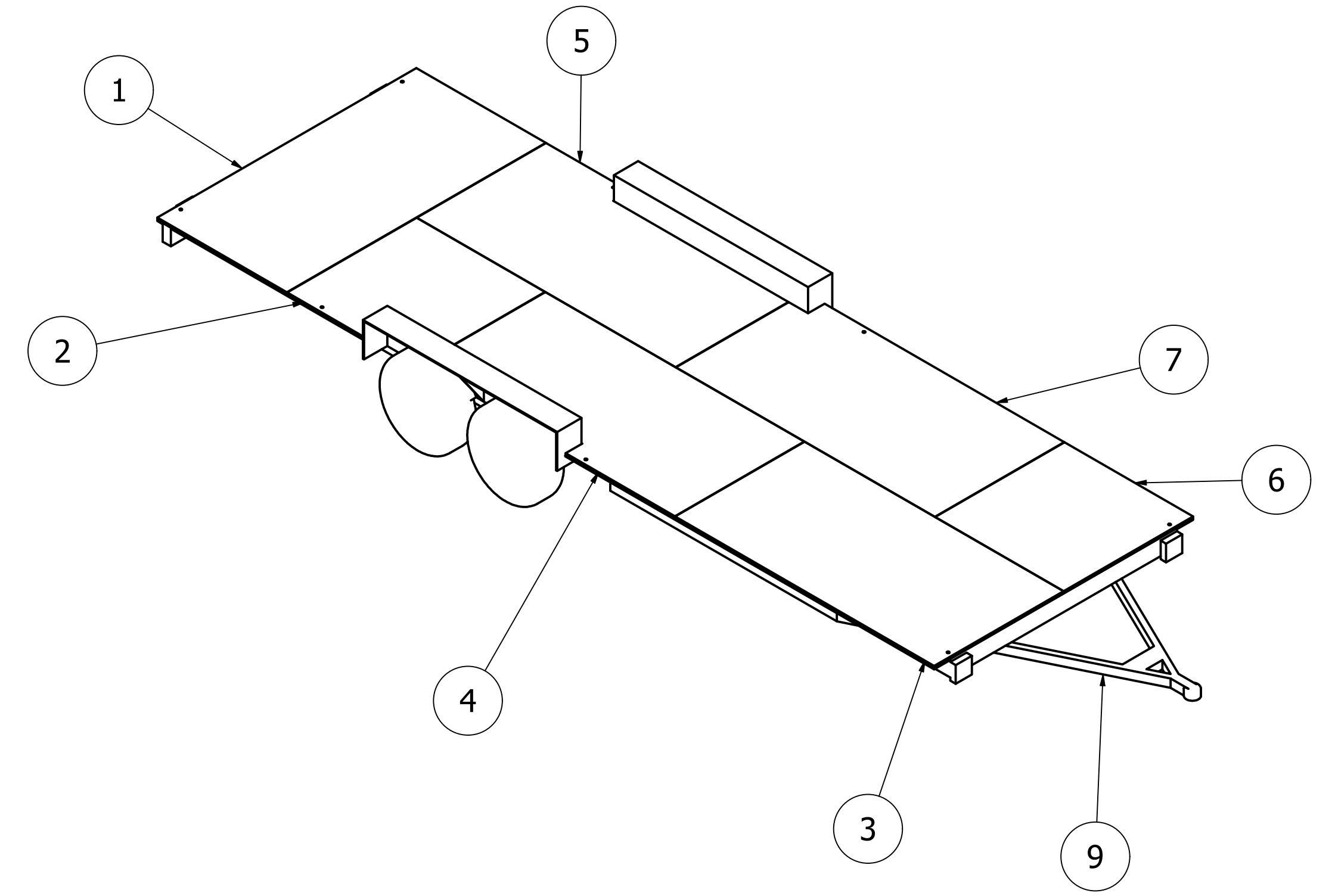


PROPRIETARY AND CONFIDENTIAL

THE INFORMATION CONTAINED IN THIS DRAWING IS THE SOLE PROPERTY OF SOLARCYCLE LLC. ANY REPRODUCTION IN PART OR AS A WHOLE WITHOUT THE WRITTEN PERMISSION OF SOLARCYCLE LLC IS PROHIBITED.

UNLESS OTHERWISE SPECIFIED	DRAWN ISAAC	9/11/2022	TITLE	
DIMENSIONS ARE IN INCHES	CHECKED		SOLARCYCLE ONE TINY HOME	
TOLERANCES:	QA		SIZE	DWG NO
FRACTIONAL PART: ± 1/16	MFG		D	SOLARCYCLE TH WD STDS
FRACTIONAL ASSY: ± 1/8	APPROVED		SCALE	REV A
ANGLE: ± 1°	COMMENTS:			
MATERIAL				
FINISH				
DO NOT SCALE DRAWING				

SUBFLOOR

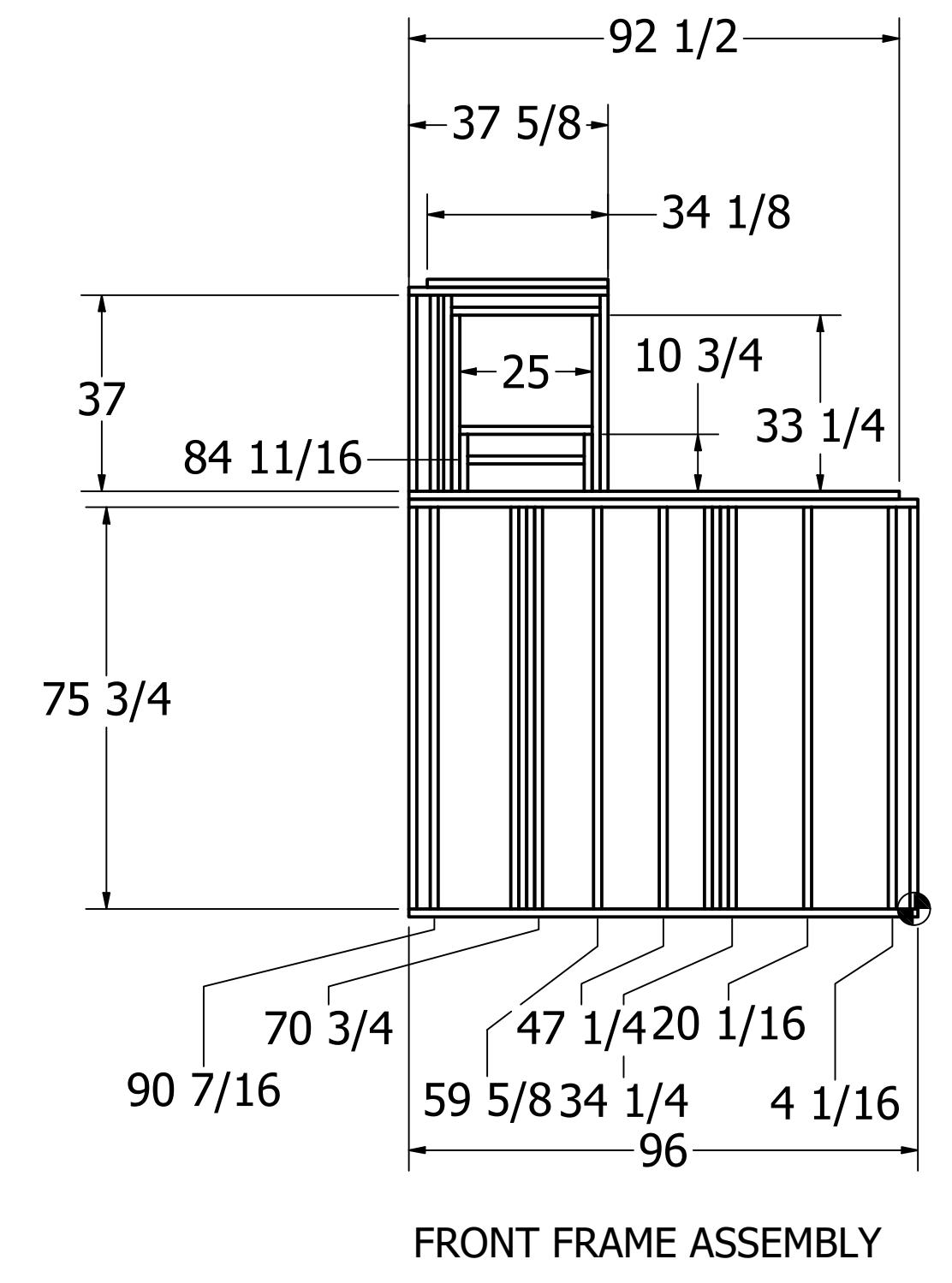
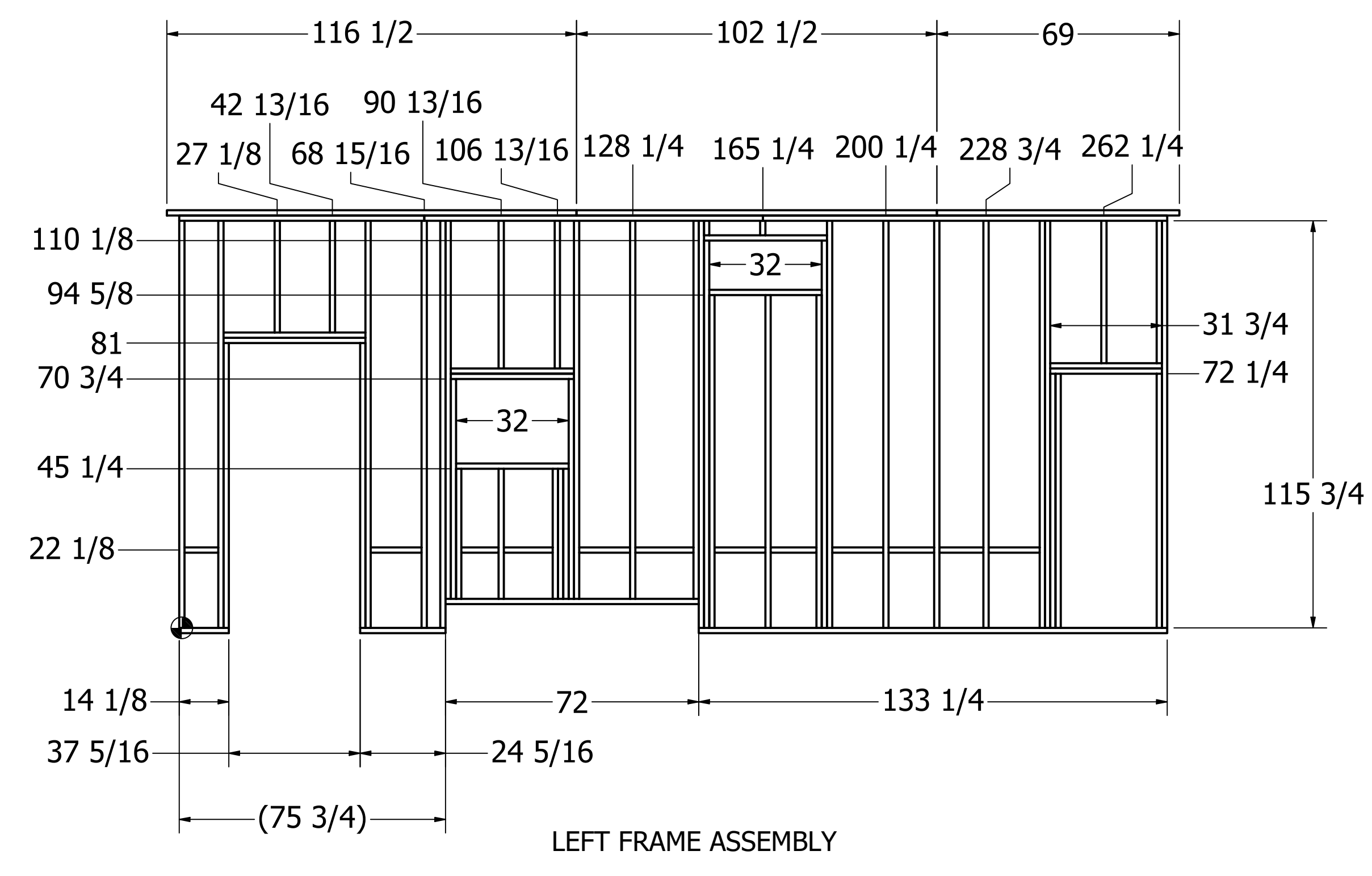
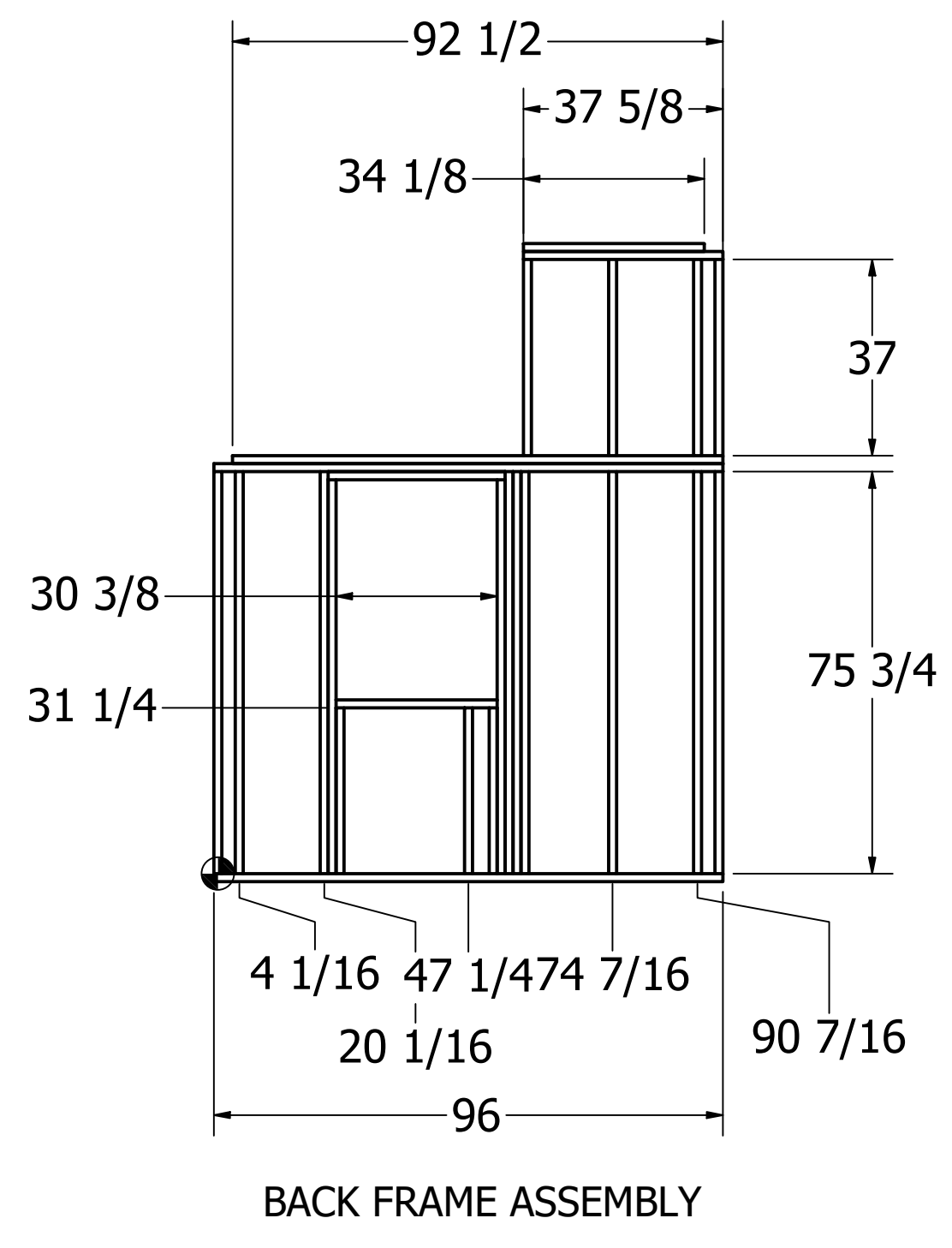
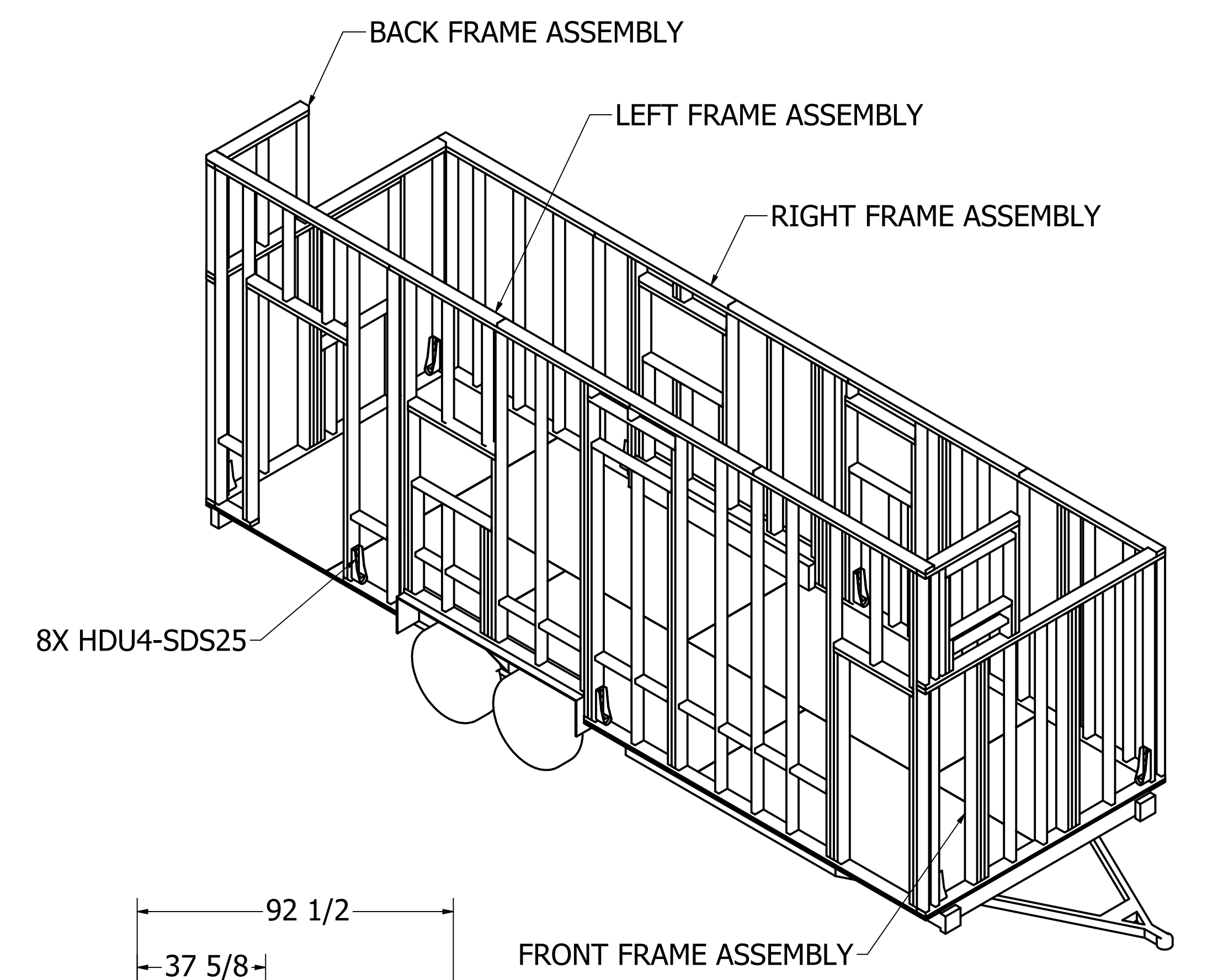
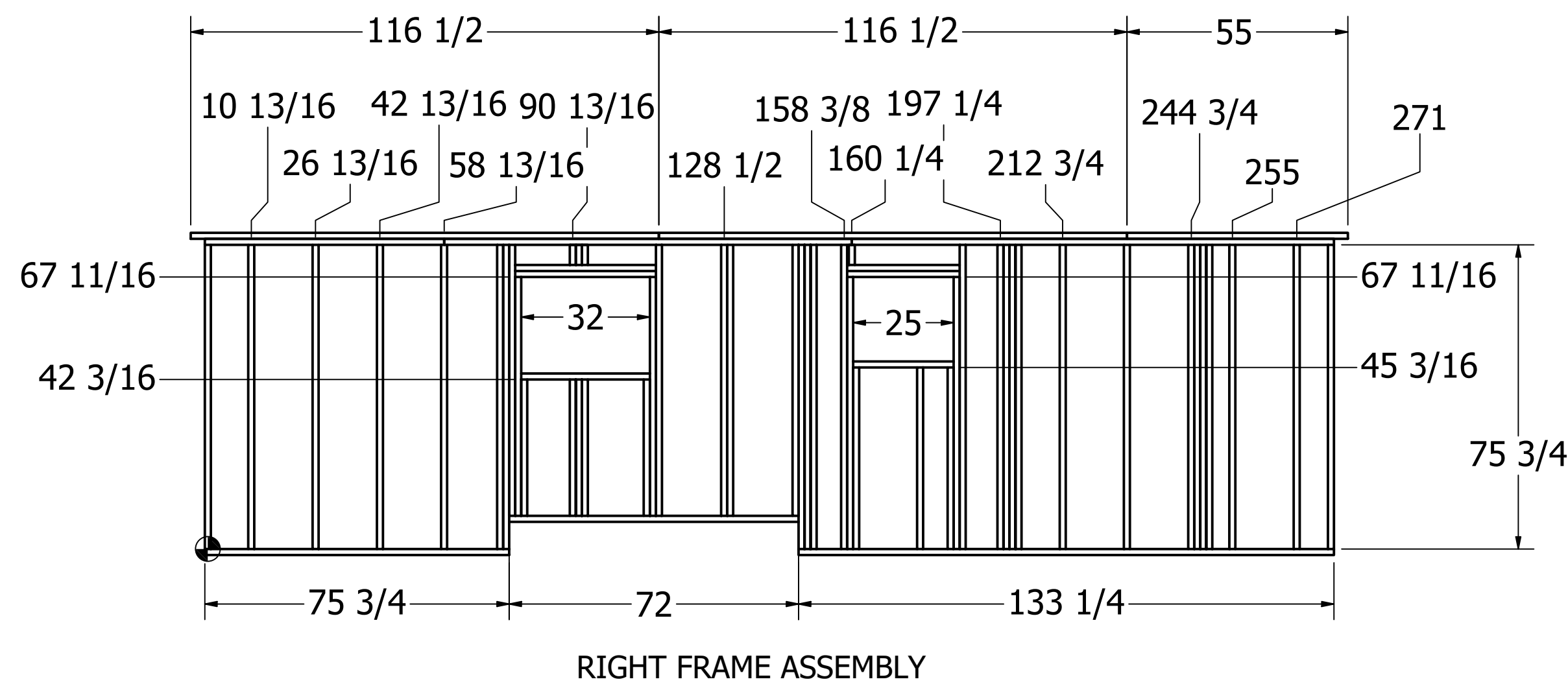


PARTS LIST		
ITEM	QTY	PART NUMBER
1	1	3_4_SUBFLOOR_B 24FT
2	1	3_4_SUBFLOOR_LB 24FT
3	1	3_4_SUBFLOOR_LF 24FT
4	1	3_4_SUBFLOOR_LM 24FT
5	1	3_4_SUBFLOOR_RB 24FT
6	1	3_4_SUBFLOOR_RF 24FT
7	1	3_4_SUBFLOOR_RM 24FT
9	1	TM-TH-24-F9

PROPRIETARY AND CONFIDENTIAL
 THE INFORMATION CONTAINED IN THIS DRAWING IS THE SOLE PROPERTY OF SOLARCYCLE LLC. ANY REPRODUCTION IN PART OR AS A WHOLE WITHOUT THE WRITTEN PERMISSION OF SOLARCYCLE LLC IS PROHIBITED.

UNLESS OTHERWISE SPECIFIED	DRAWN	ISAAC	9/5/2022	TITLE
DIMENSIONS ARE IN INCHES	CHECKED			SOLARCYCLE ONE TINY HOME
TOLERANCES:	QA			
FRACTIONAL PART: ± 1/16	MFG			
FRACTIONAL ASSY: ± 1/8	APPROVED			SIZE
ANGLE: ± 1°	COMMENTS:			D
MATERIAL				SCALE
FINISH				DWG NO
DO NOT SCALE DRAWING				SOLARCYCLE TH WD STDS
				REV
				A
				SHEET 2 OF 13

2X4 FRAME ASSEMBLIES

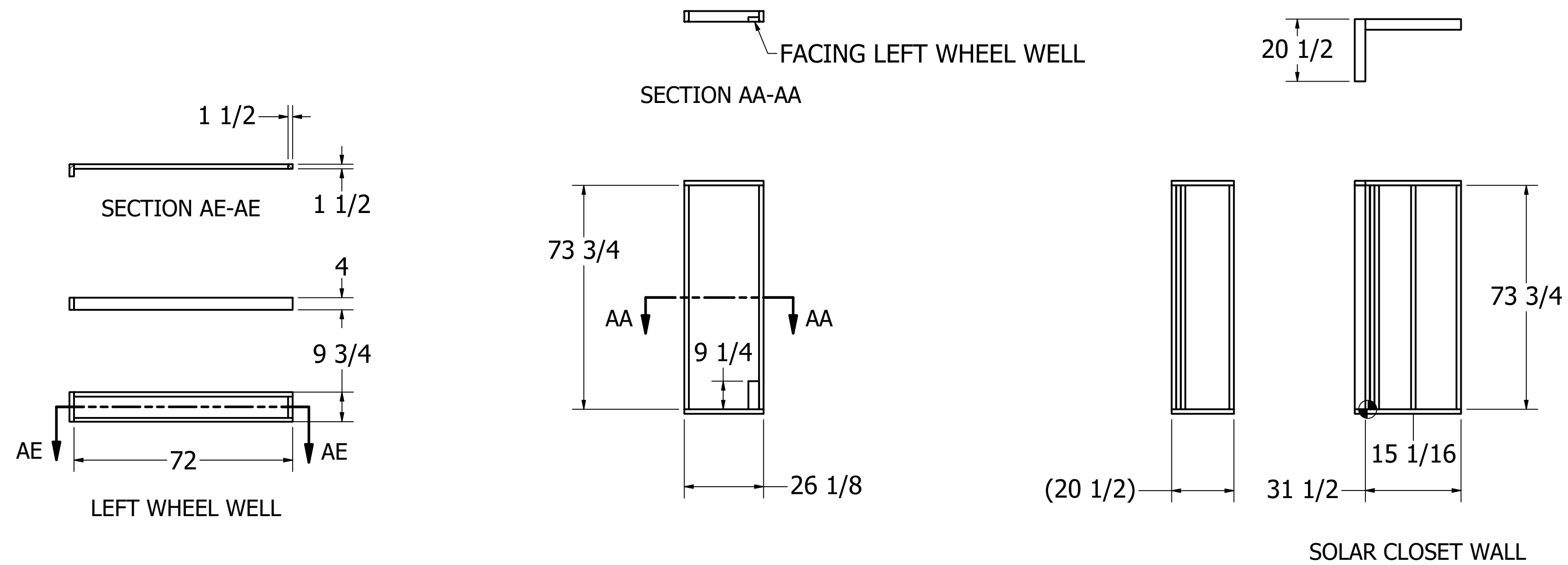
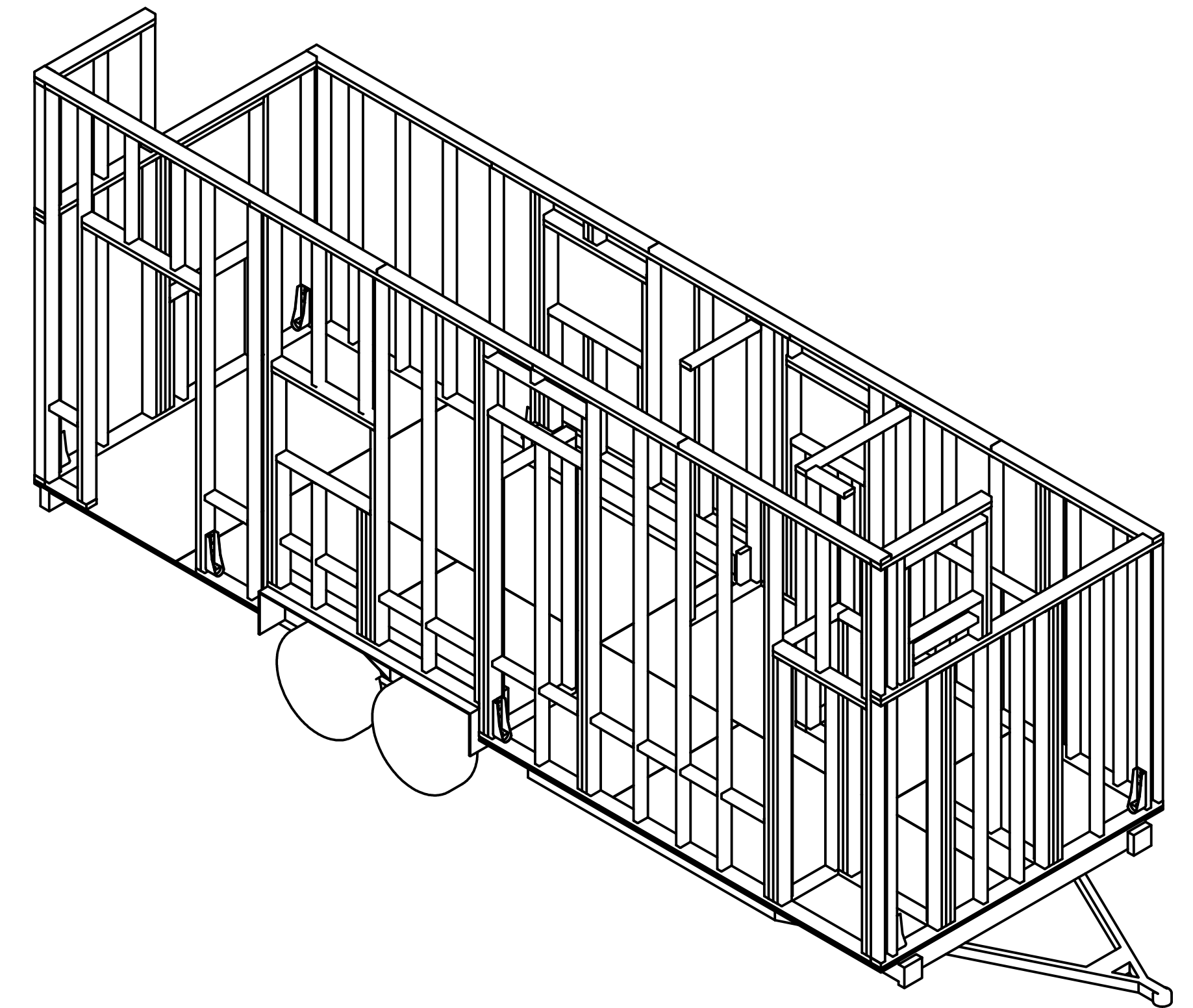
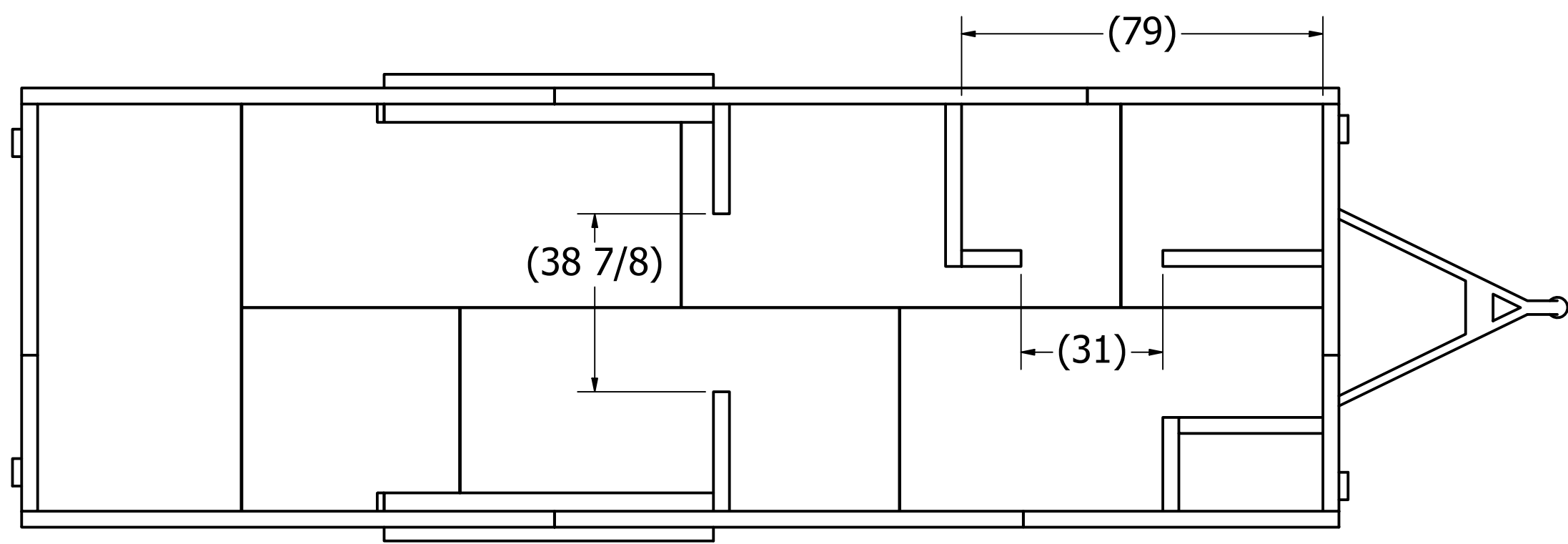
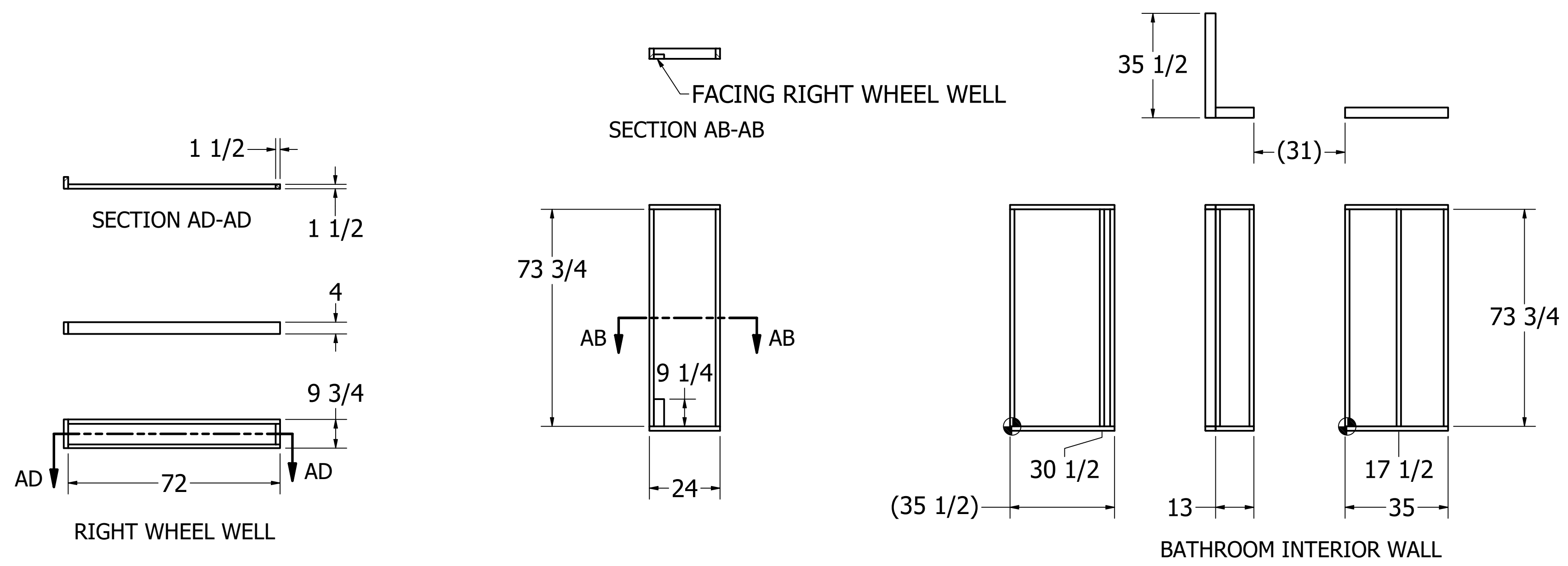


PROPRIETARY AND CONFIDENTIAL

THE INFORMATION CONTAINED IN THIS DRAWING IS THE SOLE PROPERTY OF SOLARCYCLE LLC. ANY REPRODUCTION IN PART OR AS A WHOLE WITHOUT THE WRITTEN PERMISSION OF SOLARCYCLE LLC IS PROHIBITED.

UNLESS OTHERWISE SPECIFIED DIMENSIONS ARE IN INCHES TOLERANCES: FRACTIONAL PART: ± 1/16 FRACTIONAL ASSY: ± 1/8 ANGLE: ± 1°	DRAWN ISAAC	9/5/2022	TITLE	
MATERIAL	CHECKED		SOLARCYCLE ONE TINY HOME	
FINISH	QA		SIZE	DWG NO
DO NOT SCALE DRAWING	MFG		D	SOLARCYCLE TH WD STDS
	APPROVED		SCALE	REV A
	COMMENTS:			SHEET 3 OF 13

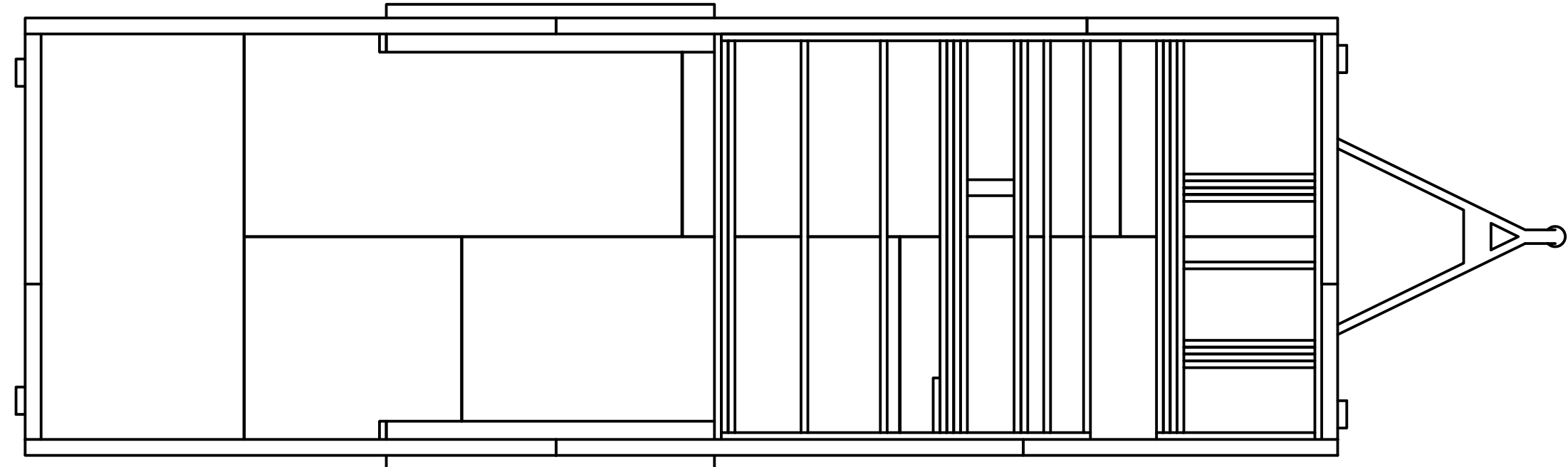
2X4 INTERIOR WALLS AND WHEEL WELL BOX



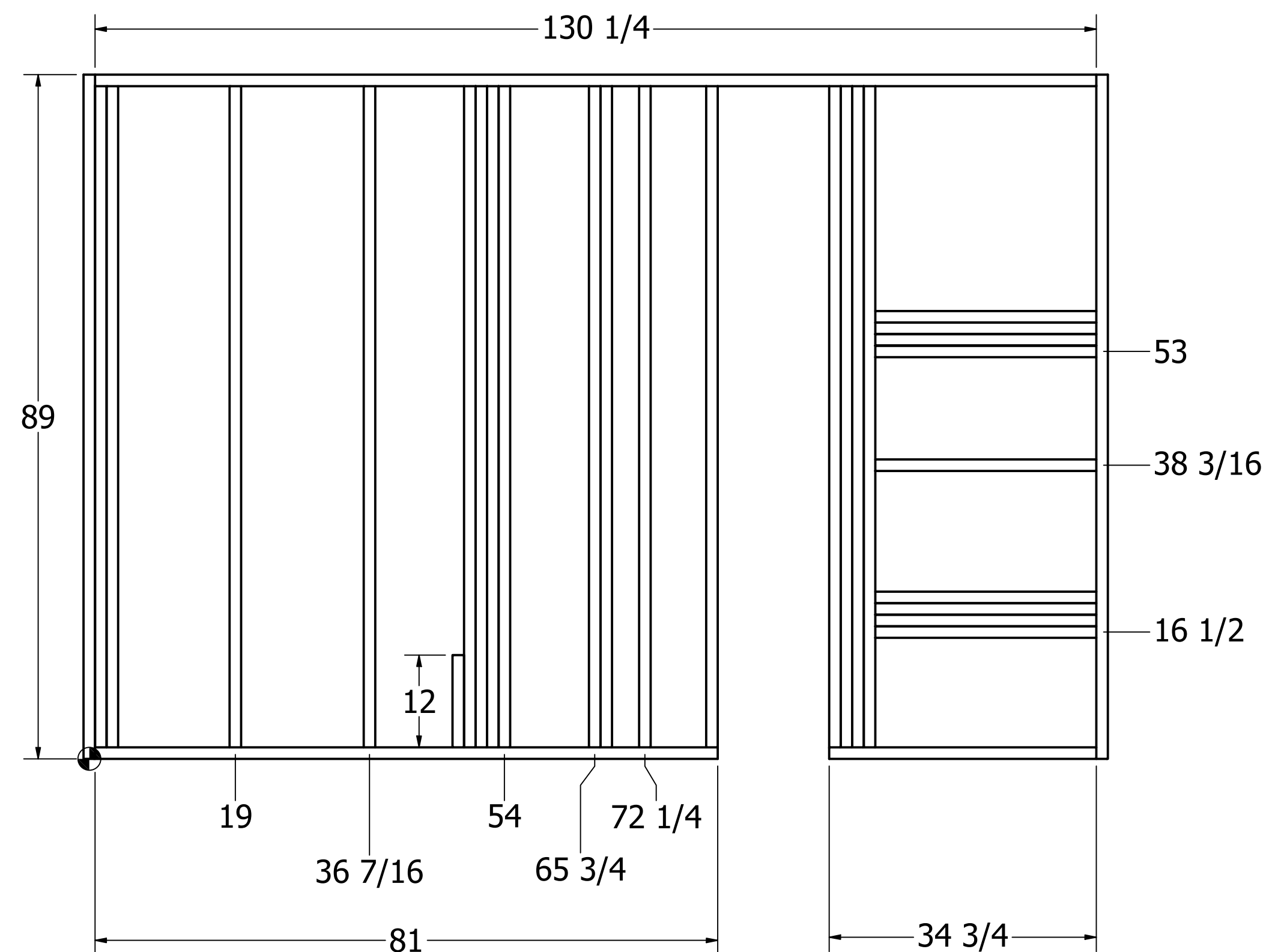
PROPRIETARY AND CONFIDENTIAL
 THE INFORMATION CONTAINED IN THIS DRAWING IS THE SOLE PROPERTY OF SOLARCYCLE LLC. ANY REPRODUCTION IN PART OR AS A WHOLE WITHOUT THE WRITTEN PERMISSION OF SOLARCYCLE LLC IS PROHIBITED.

UNLESS OTHERWISE SPECIFIED	DRAWN ISAAC	9/5/2022	TITLE	
DIMENSIONS ARE IN INCHES	CHECKED		SOLARCYCLE ONE TINY HOME	
TOLERANCES:	QA		SIZE	DWG NO
FRACTIONAL PART: ± 1/16	MFG		D	SOLARCYCLE TH WD STDS
FRACTIONAL ASSY: ± 1/8	APPROVED		SCALE	REV
ANGLE: ± 1°	COMMENTS:			A
MATERIAL				
FINISH				
DO NOT SCALE DRAWING				

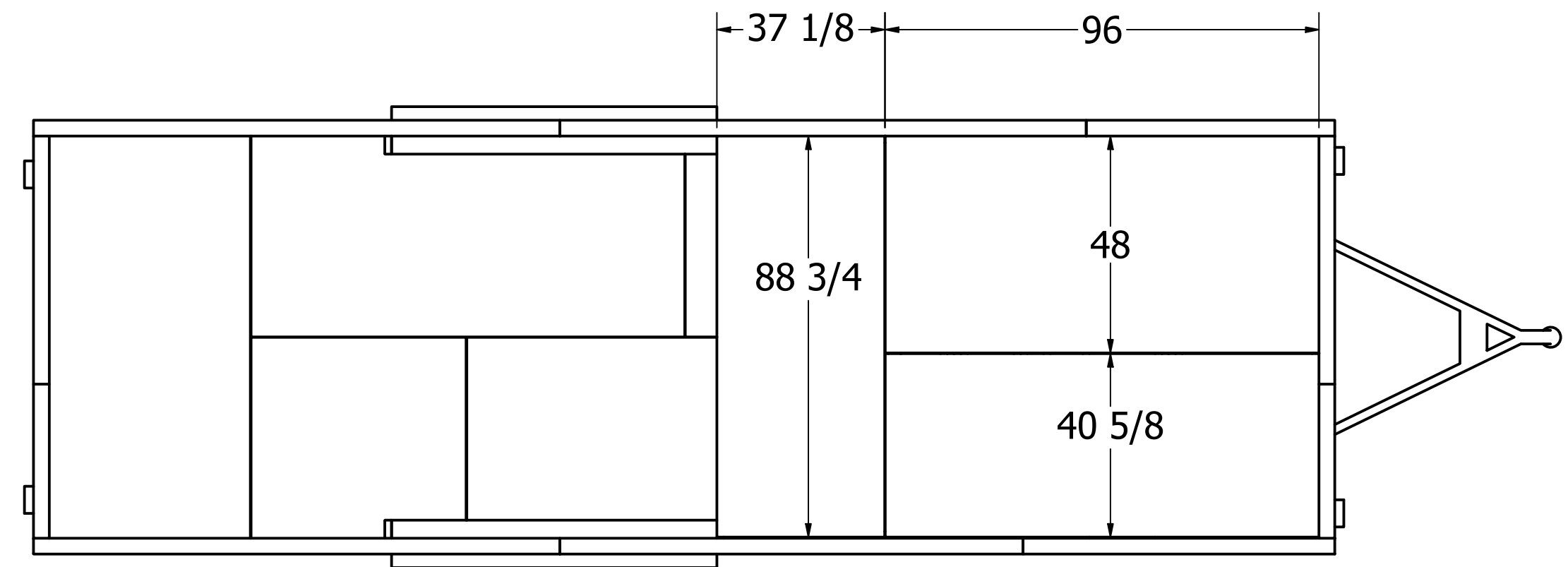
LOFT DETAIL



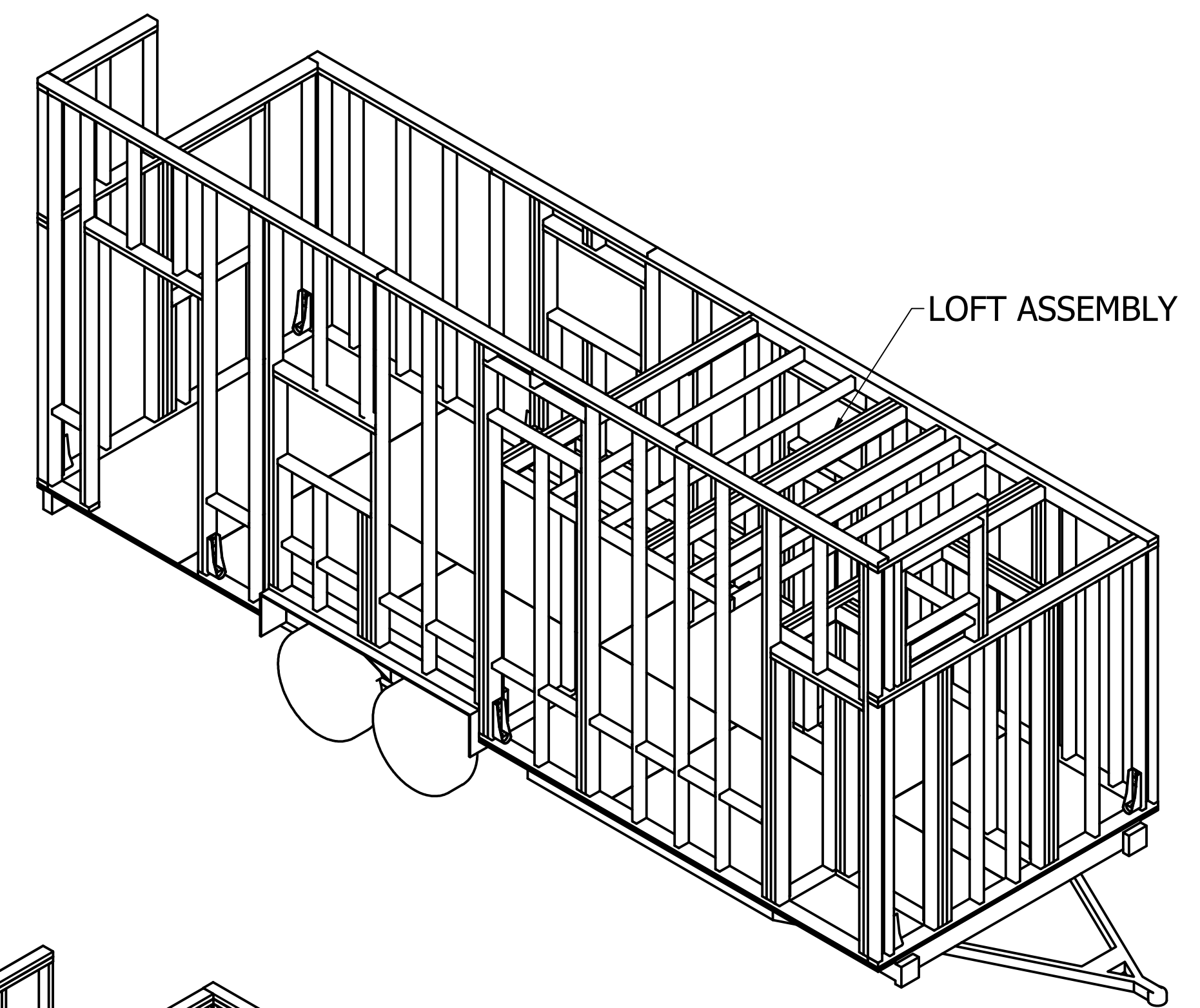
TOP



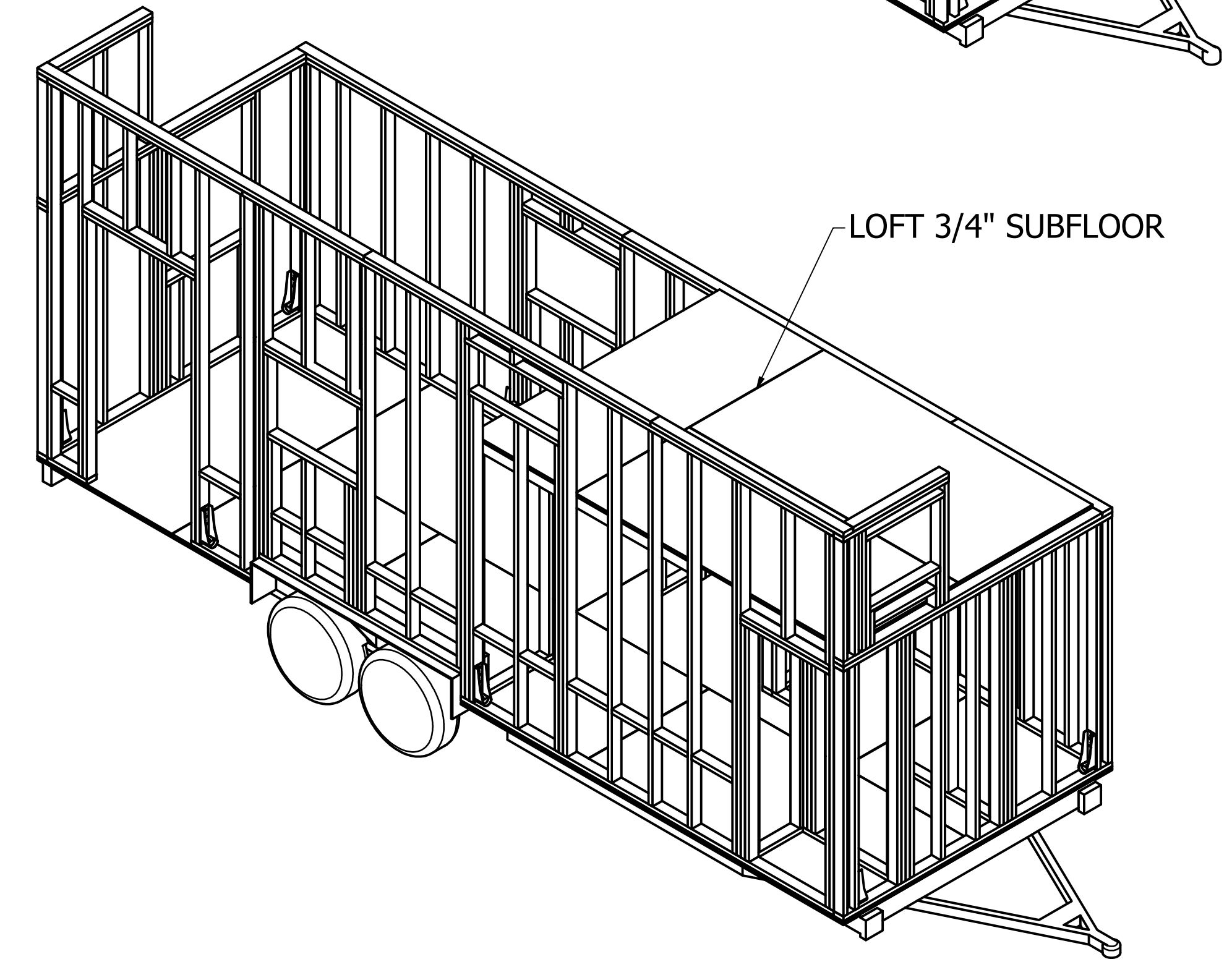
LOFT ASSEMBLY



TOP WITH SUBFLOOR



LOFT ASSEMBLY



LOFT 3/4" SUBFLOOR

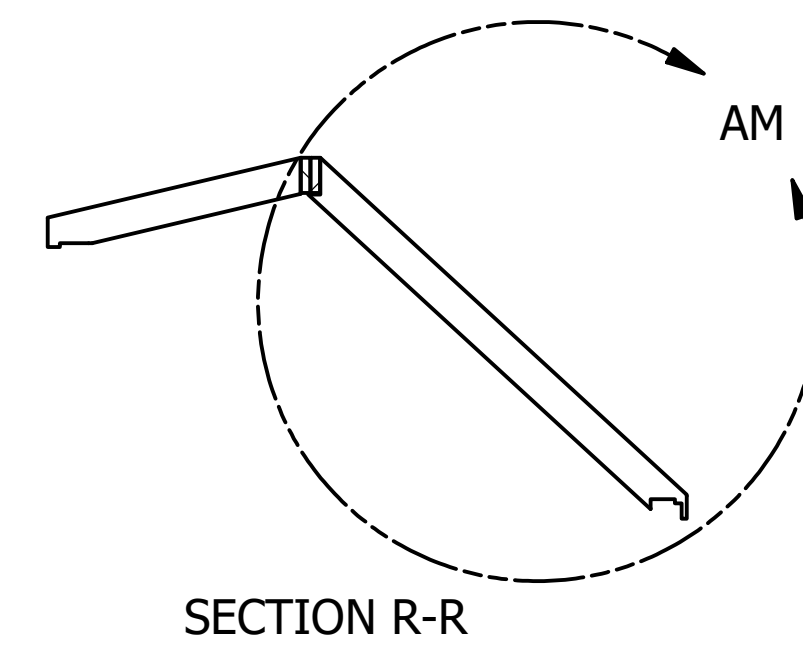
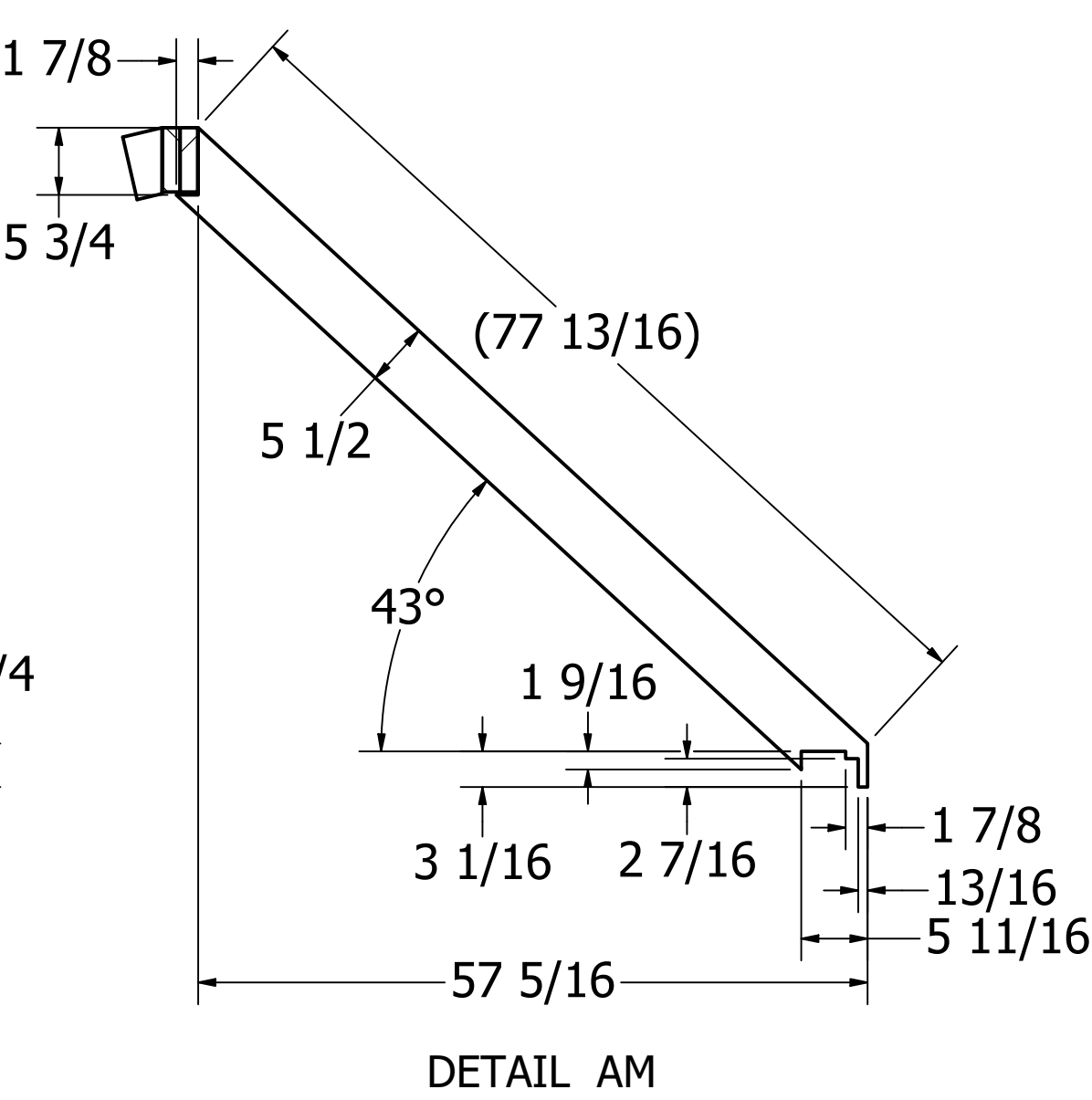
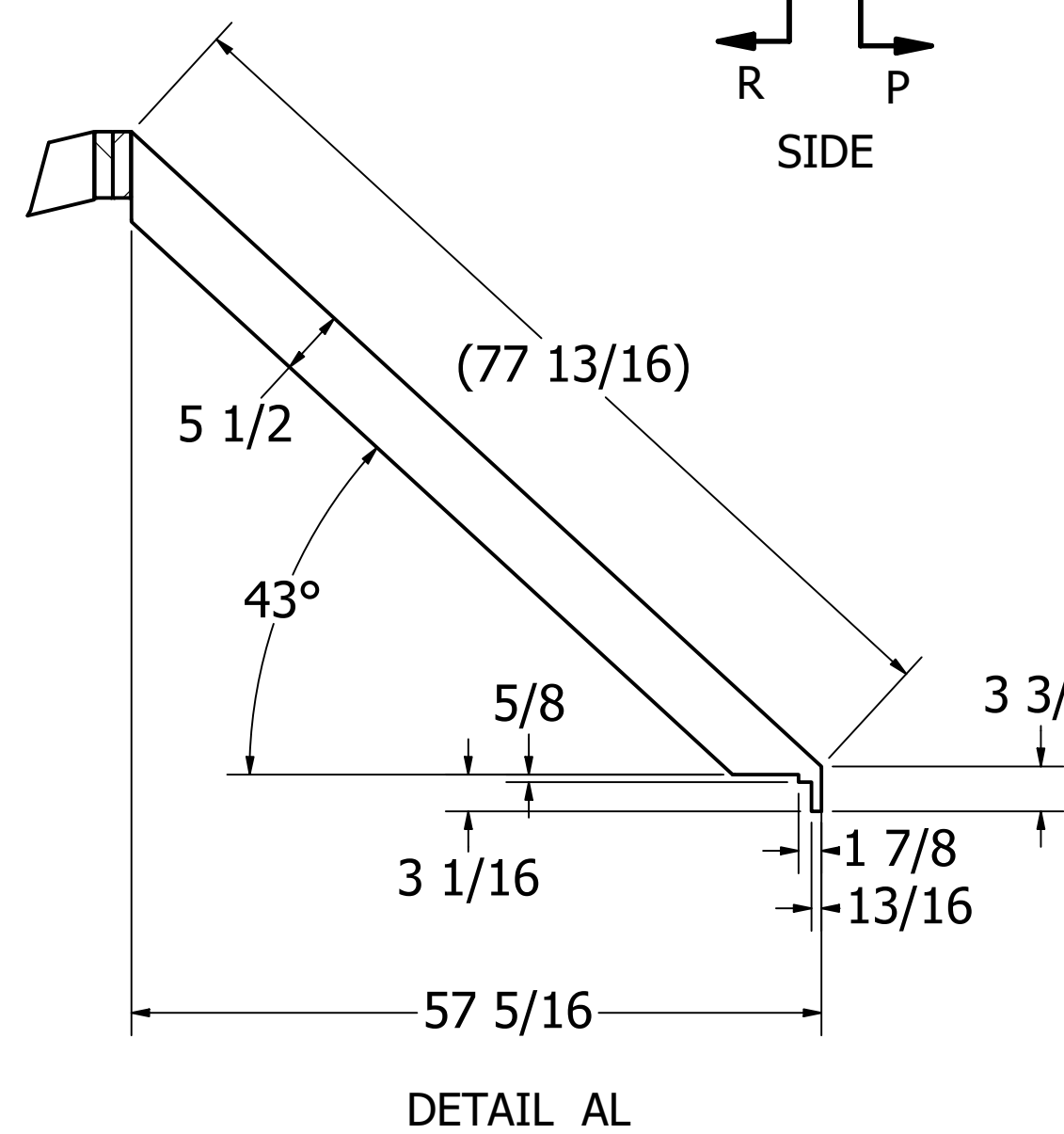
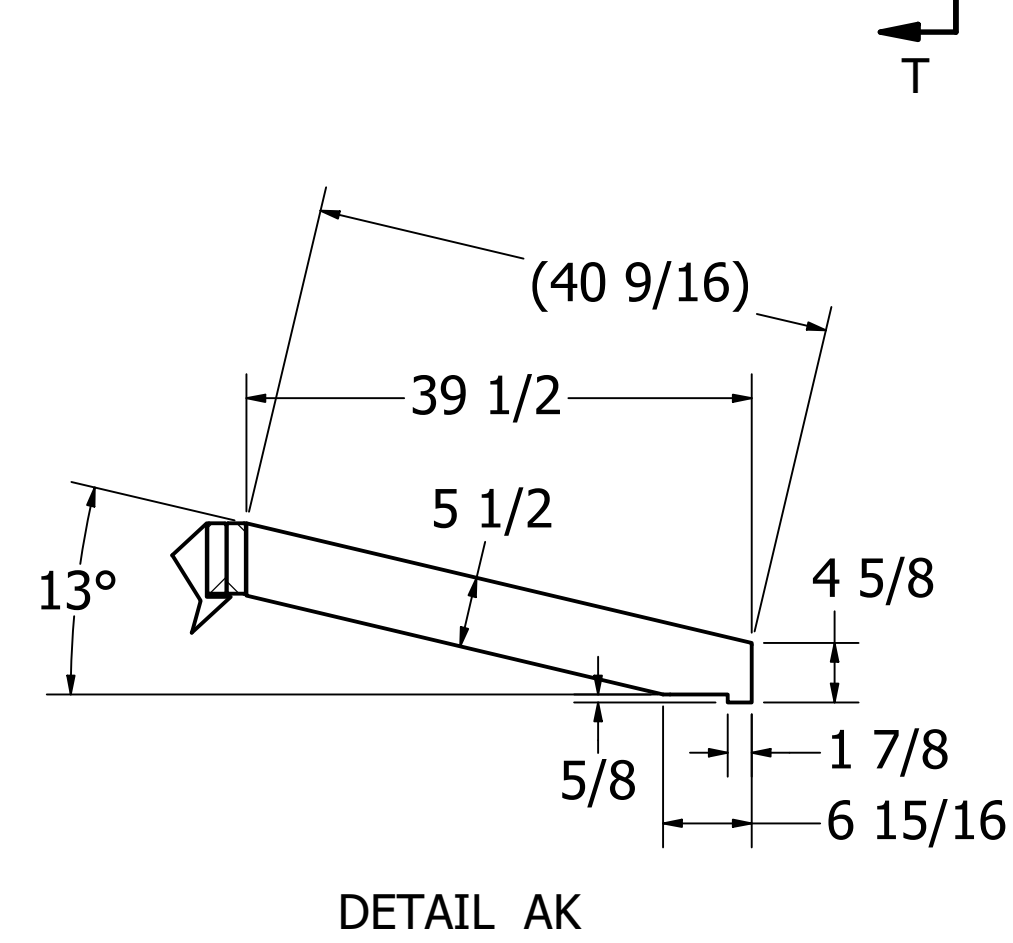
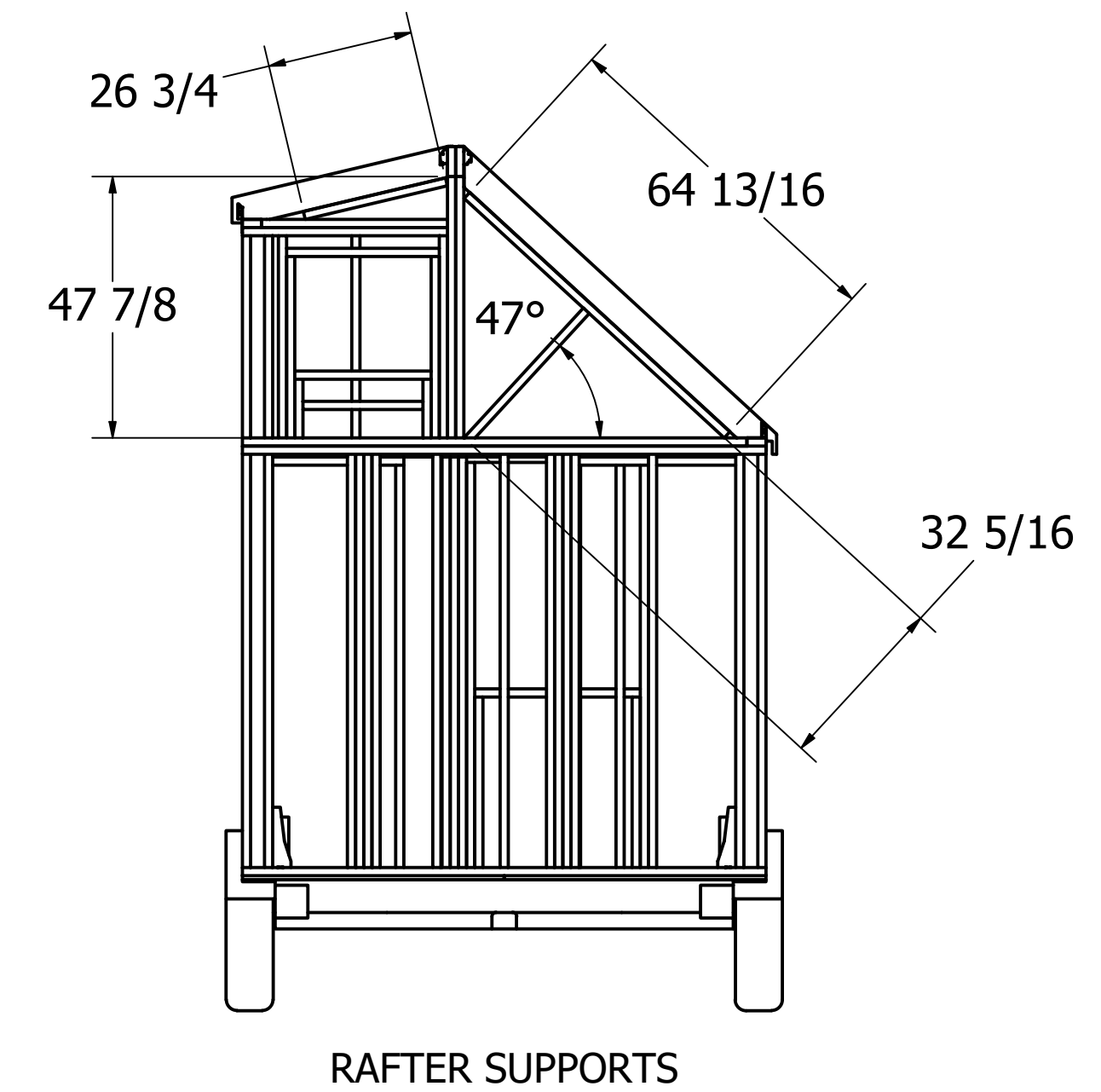
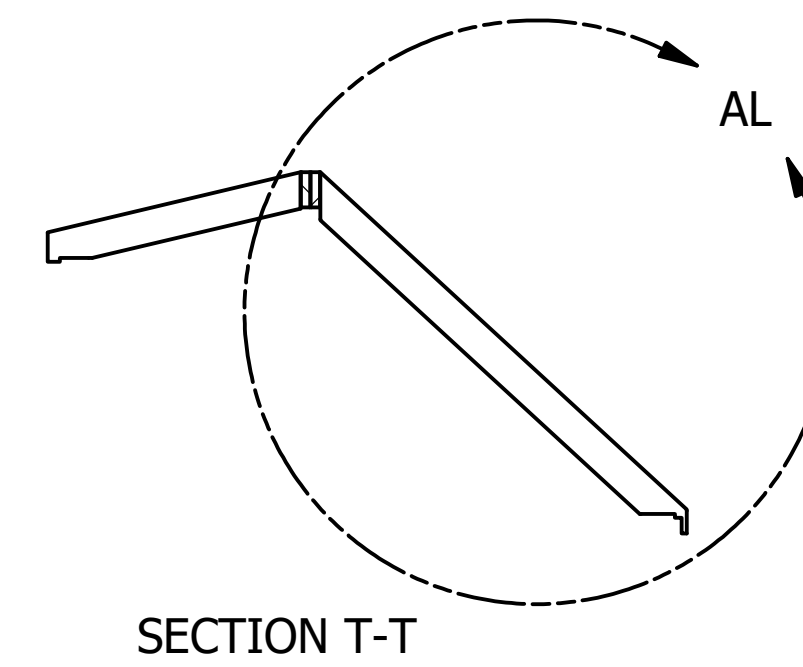
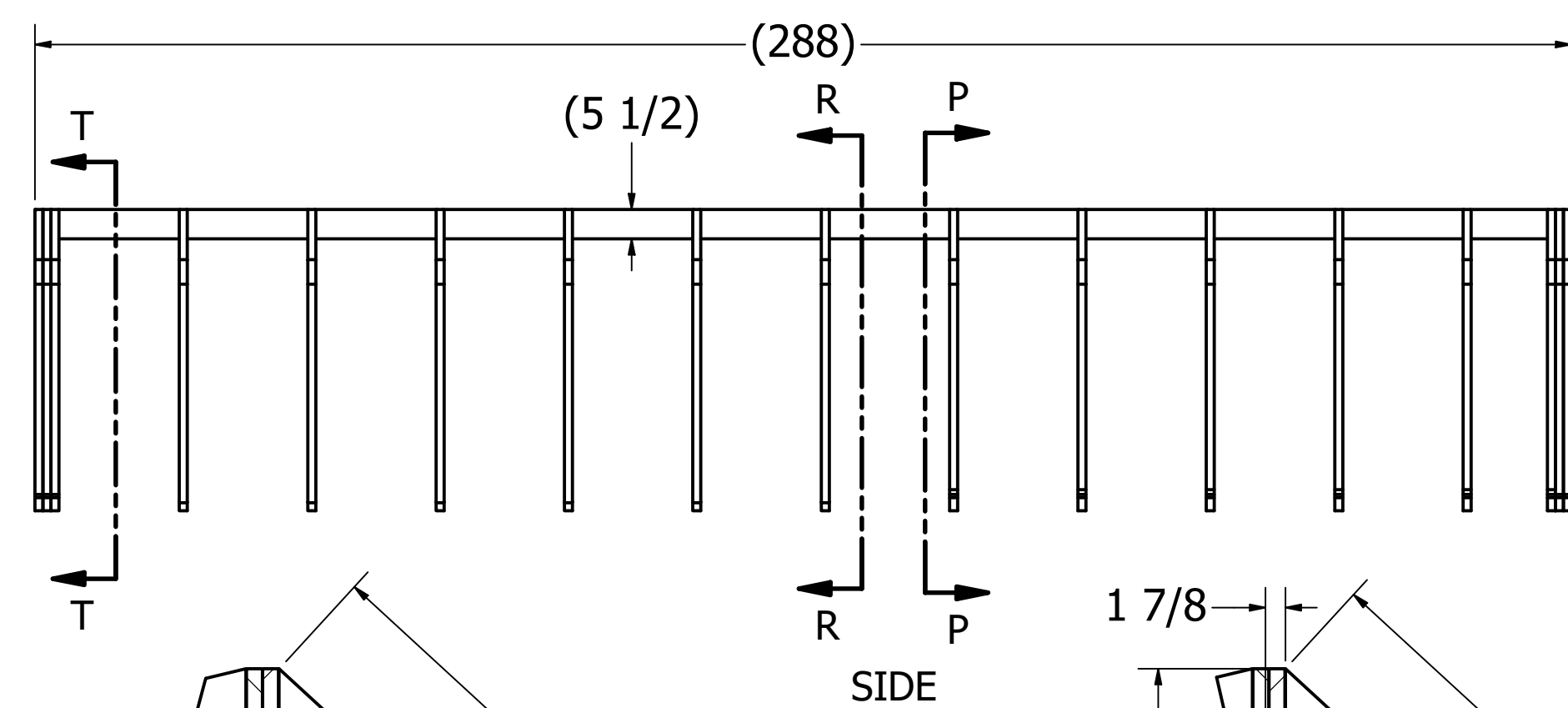
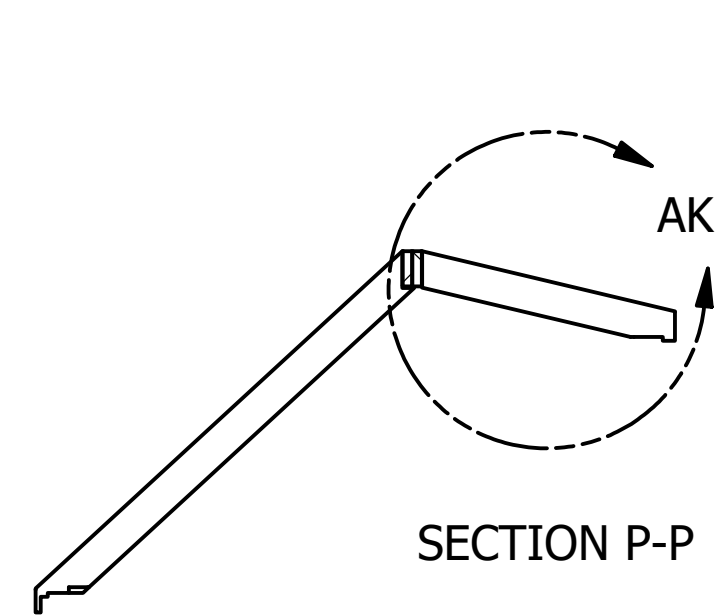
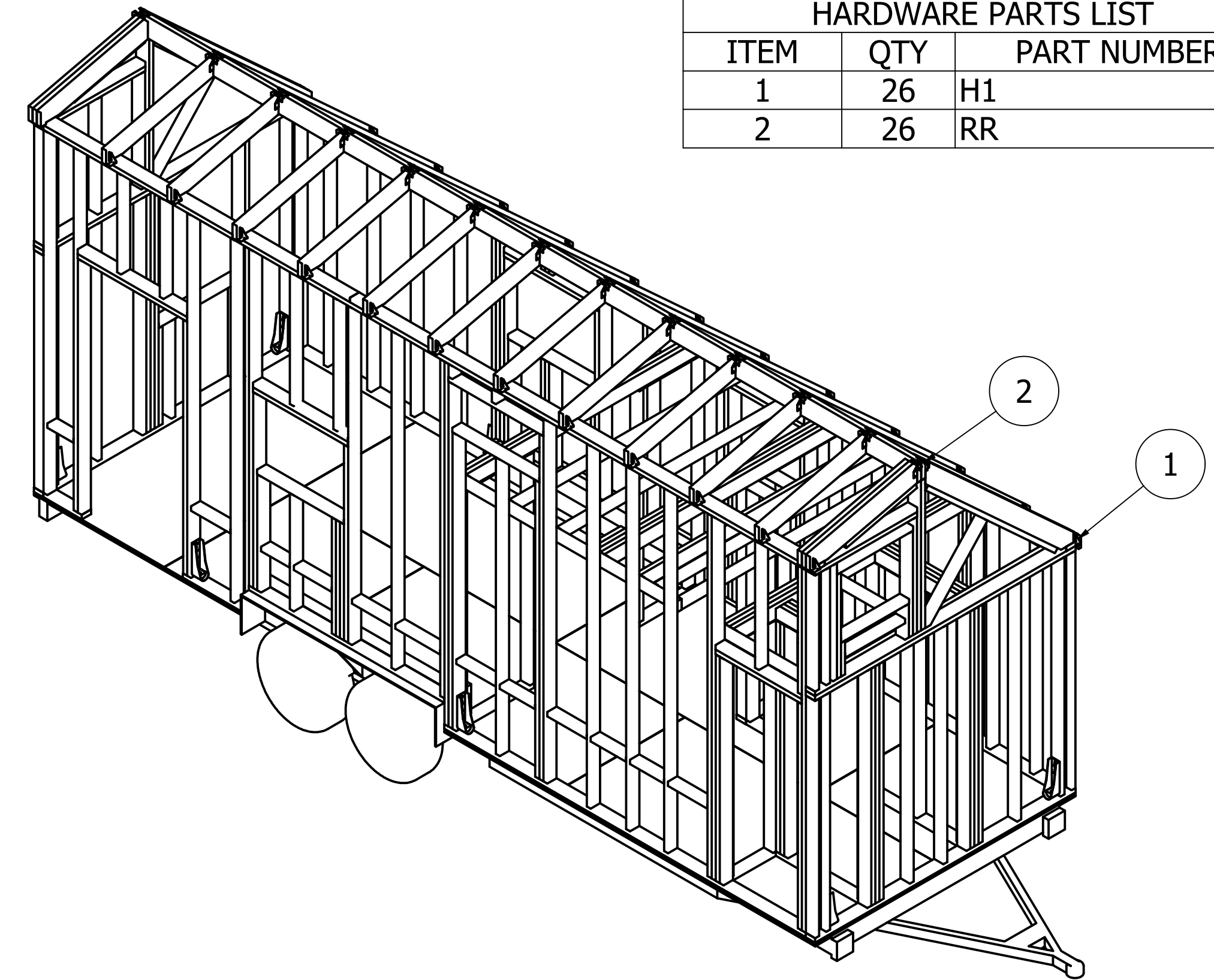
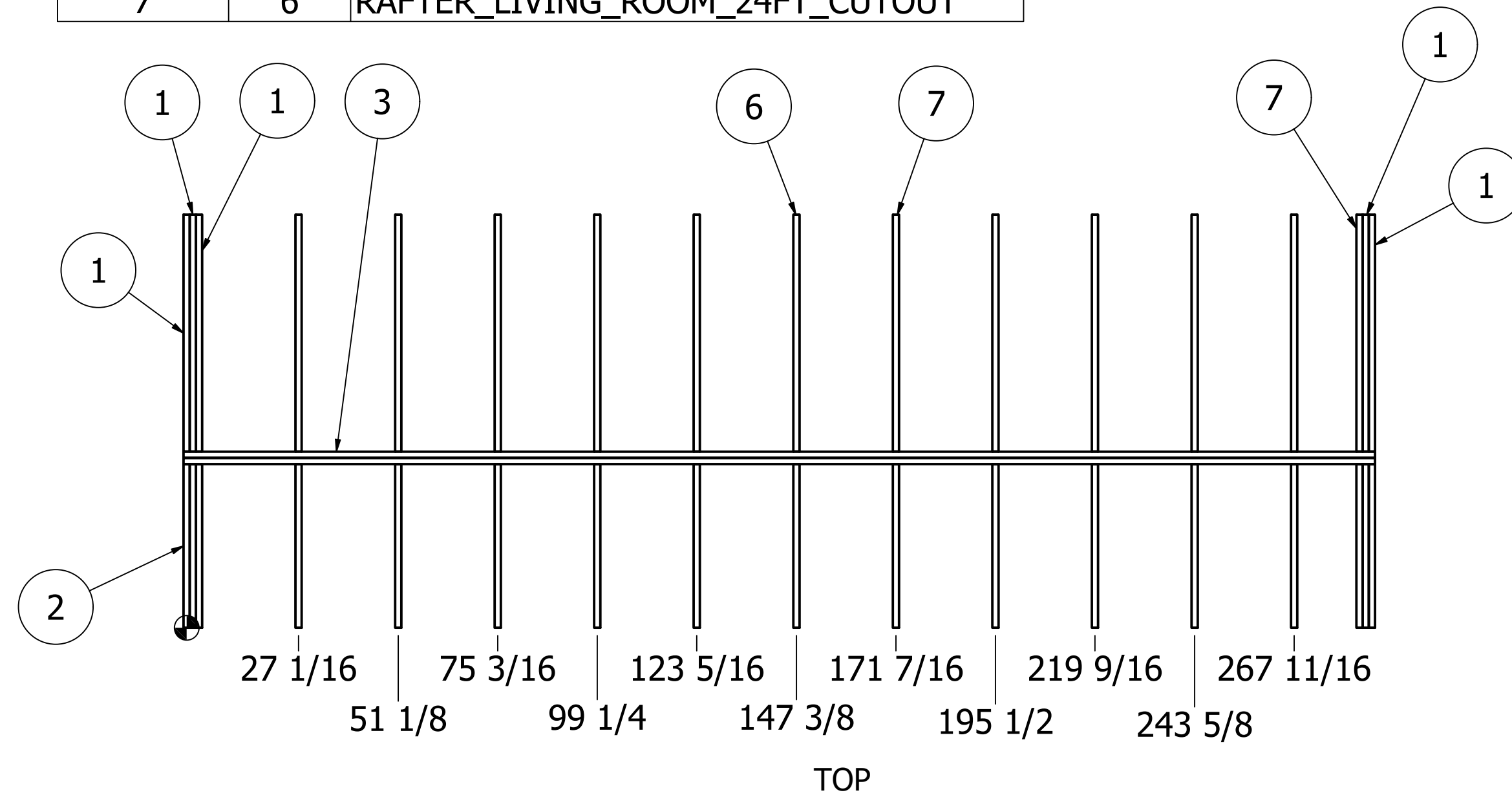
PROPRIETARY AND CONFIDENTIAL
 THE INFORMATION CONTAINED IN THIS DRAWING IS THE SOLE PROPERTY OF SOLARCYCLE LLC. ANY REPRODUCTION IN PART OR AS A WHOLE WITHOUT THE WRITTEN PERMISSION OF SOLARCYCLE LLC IS PROHIBITED.

UNLESS OTHERWISE SPECIFIED DIMENSIONS ARE IN INCHES TOLERANCES: FRACTIONAL PART: ± 1/16 FRACTIONAL ASSY: ± 1/8 ANGLE: ± 1°	DRAWN ISAAC	9/11/2022	TITLE	
MATERIAL	CHECKED		SOLARCYCLE ONE TINY HOME	
FINISH	QA		SIZE	DWG NO
DO NOT SCALE DRAWING	MFG		D	SOLARCYCLE TH WD STDS
	APPROVED		SCALE	REV
	COMMENTS:			A
			SHEET 5 OF 13	

RAFTER PARTS LIST		
ITEM	QTY	PART NUMBER
1	5	RAFTER_LIVING_ROOM_24FT
2	17	RAFTER_LOFT_24FT
3	2	2X6X288_00
4	2	2X4X64_80
5	2	2X4X26_75
6	6	RAFTER_LIVING_ROOM_24FT_2CUTOUTS
7	6	RAFTER_LIVING_ROOM_24FT_CUTOUT

RAFTER ASSEMBLY

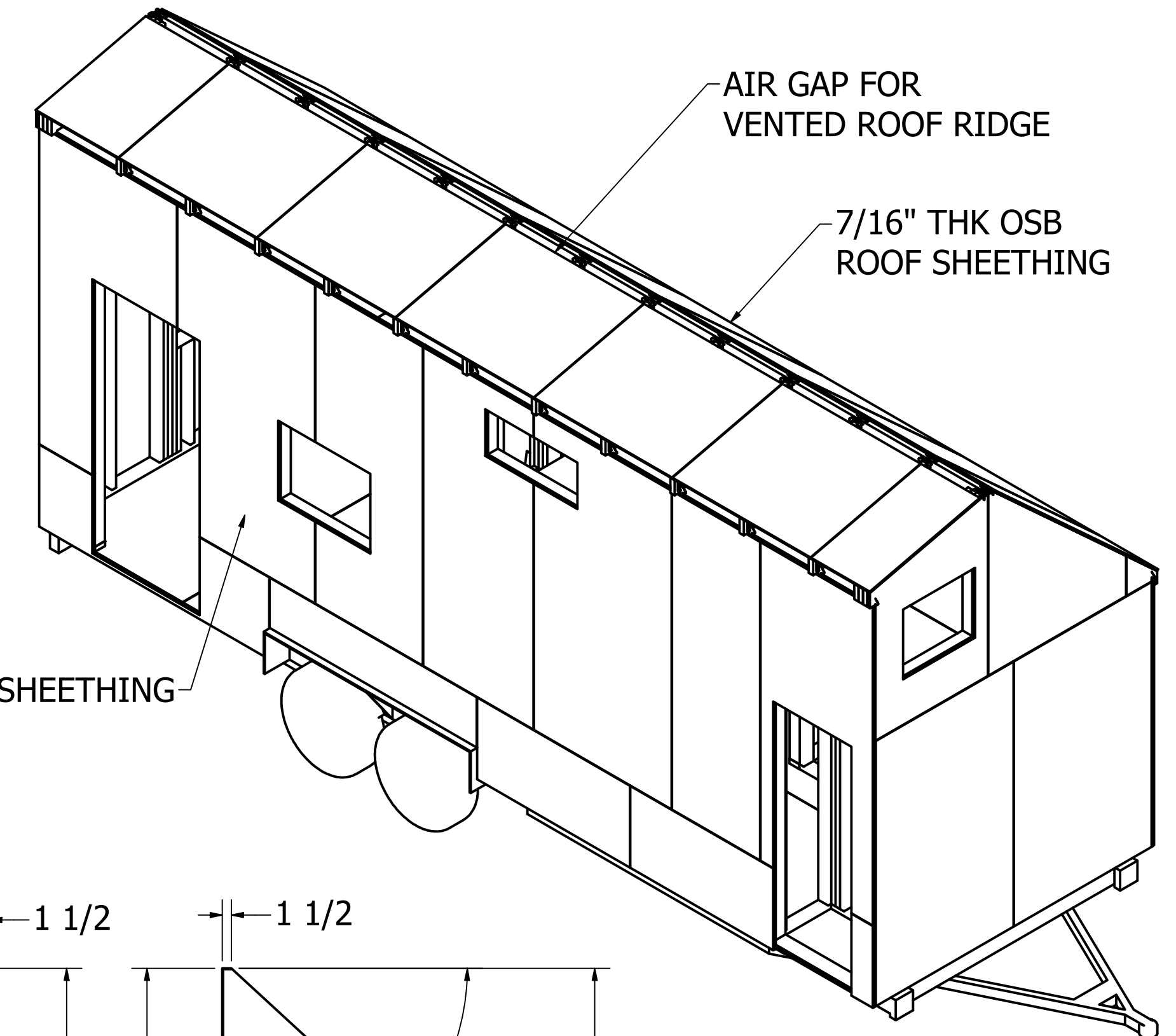
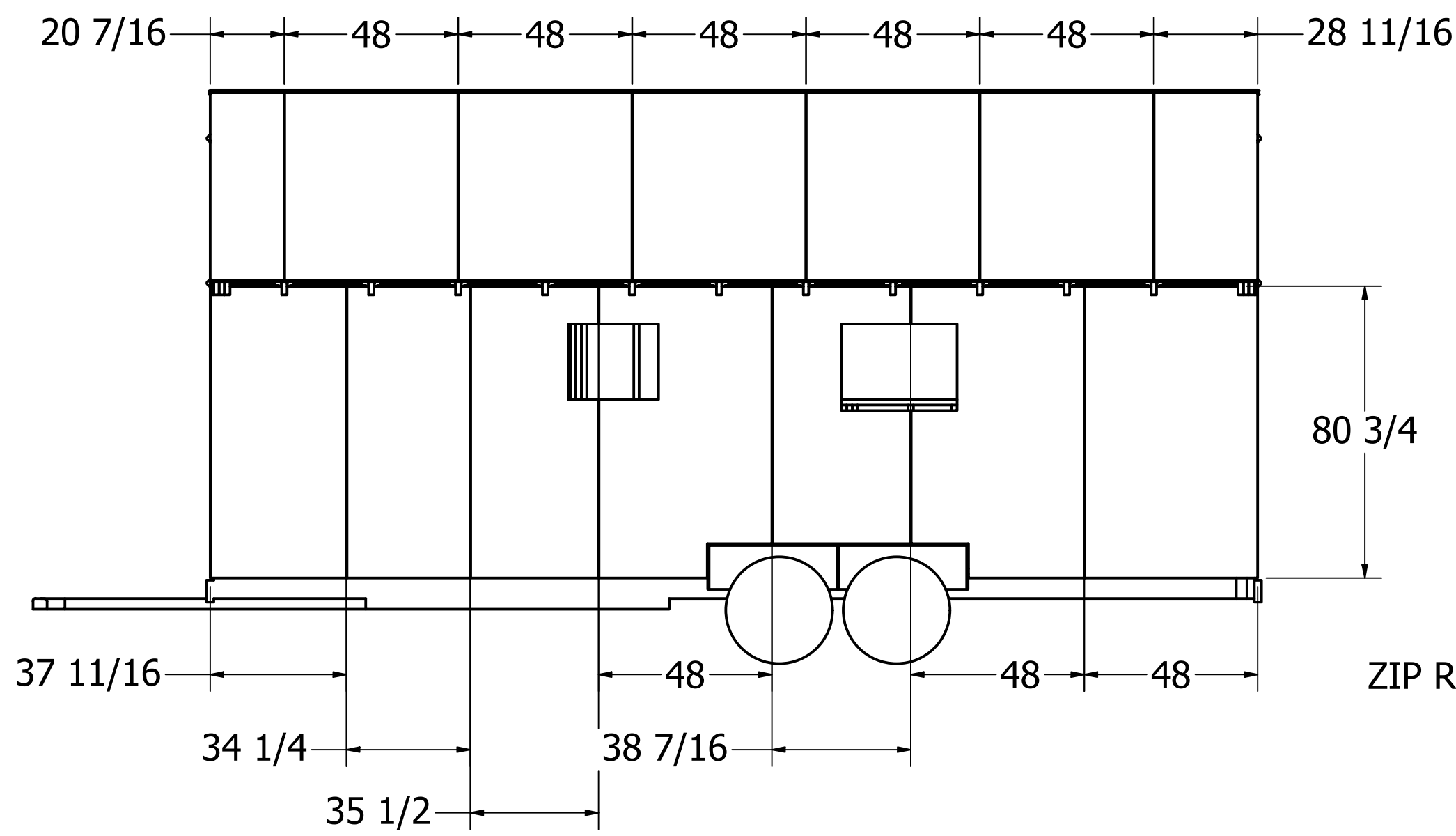
HARDWARE PARTS LIST		
ITEM	QTY	PART NUMBER
1	26	H1
2	26	RR



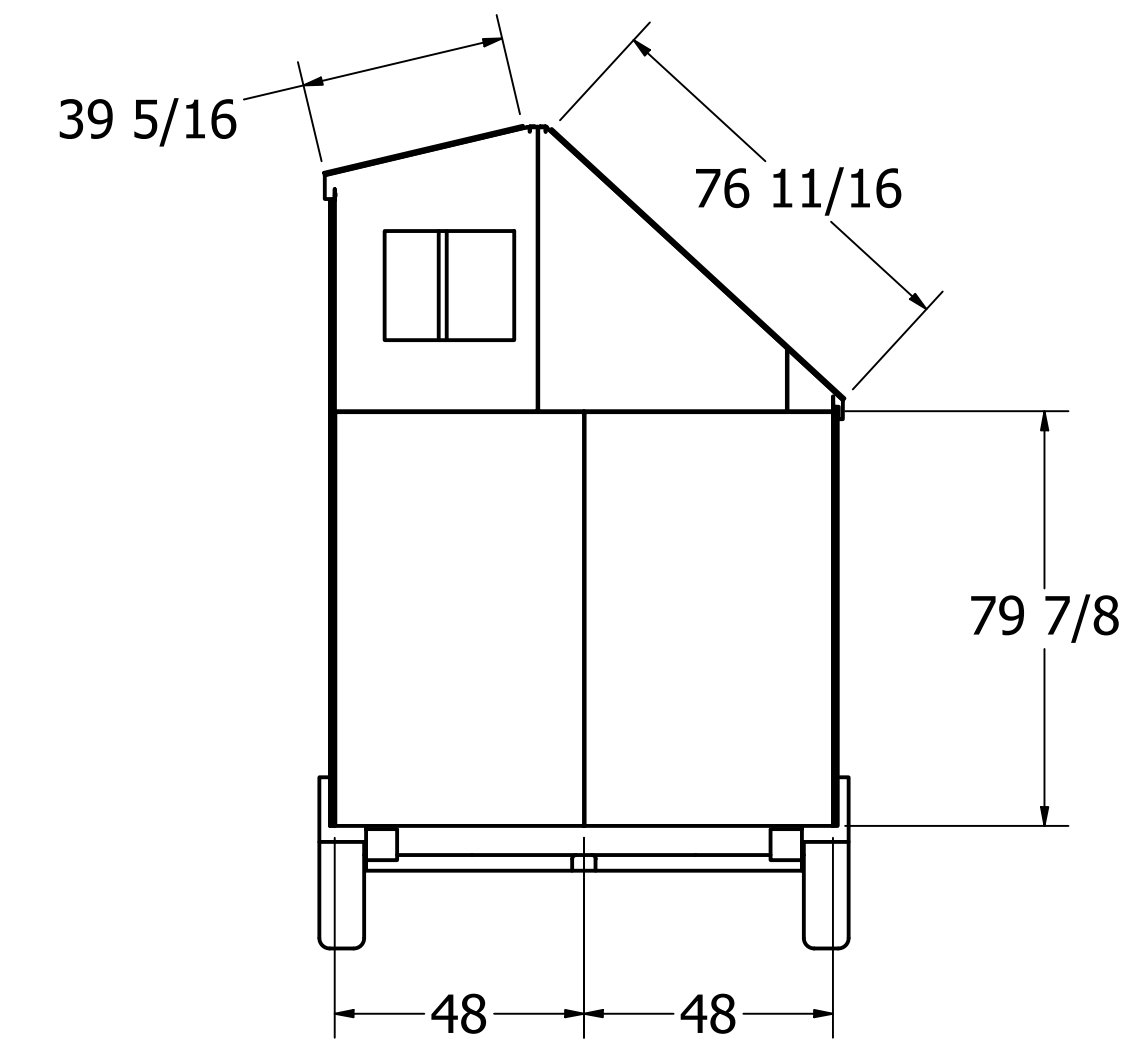
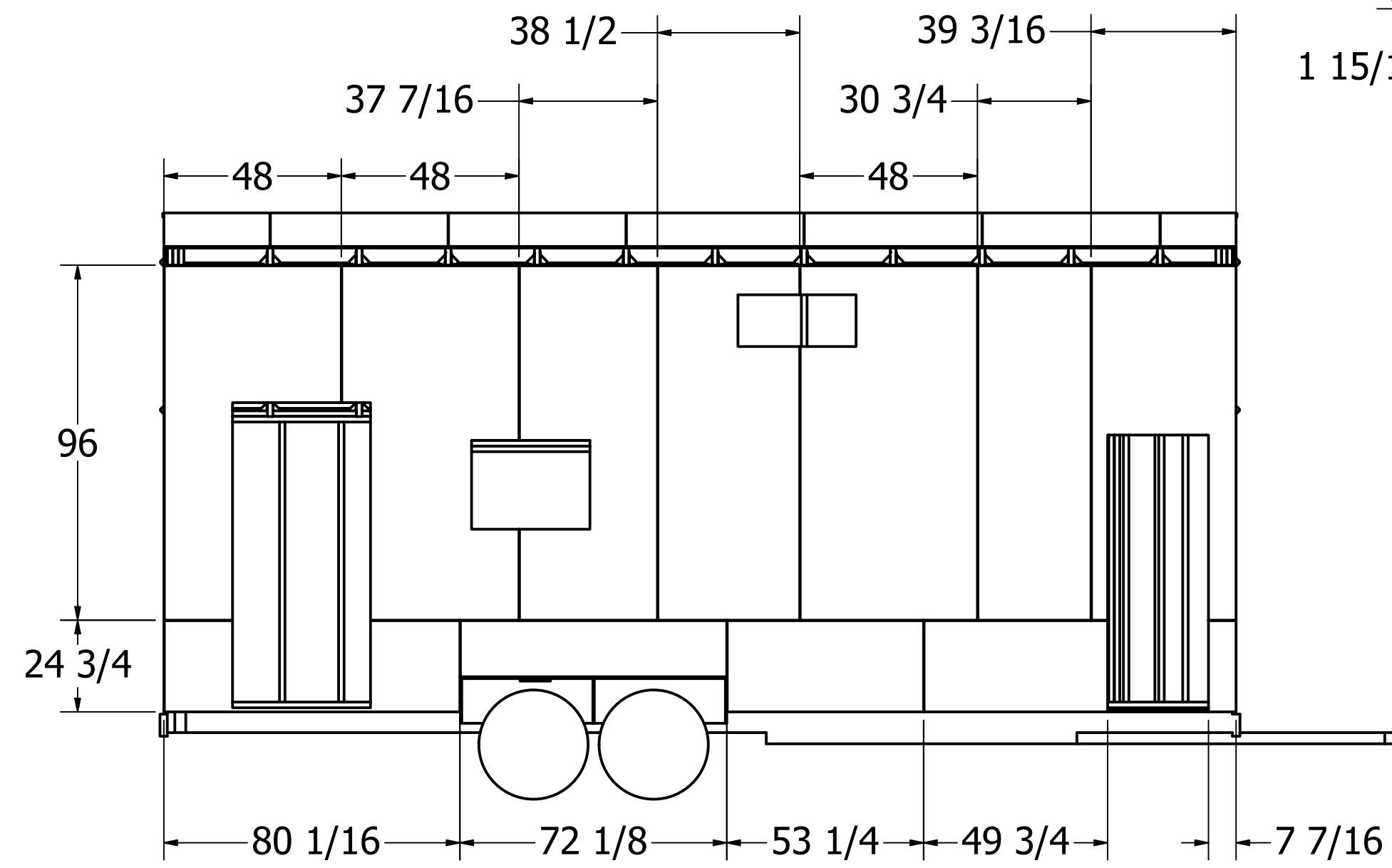
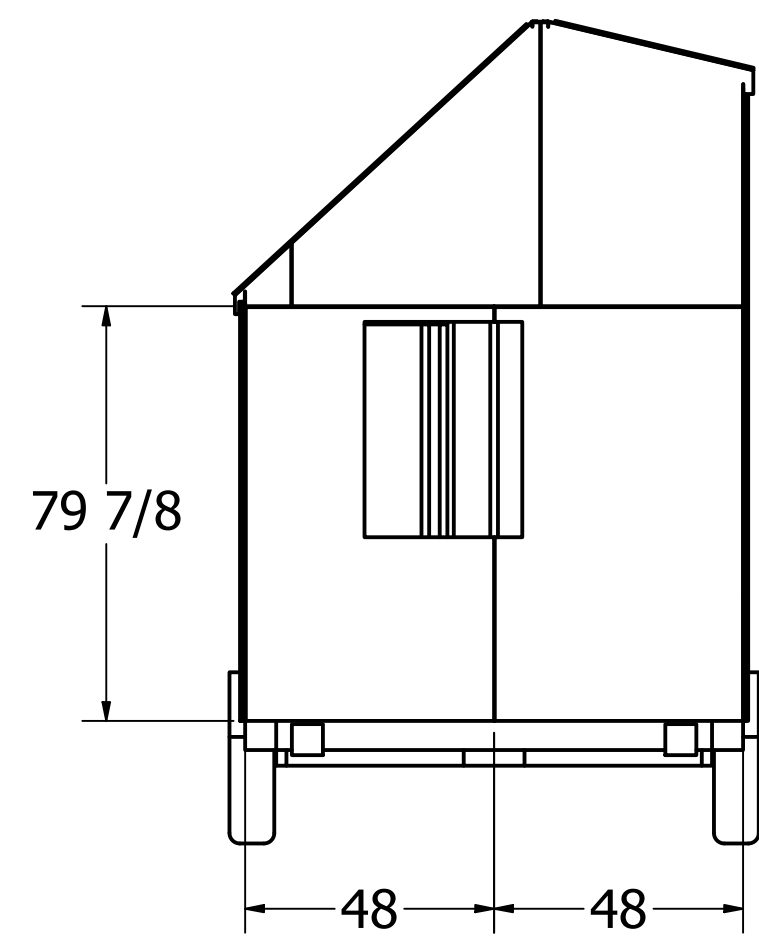
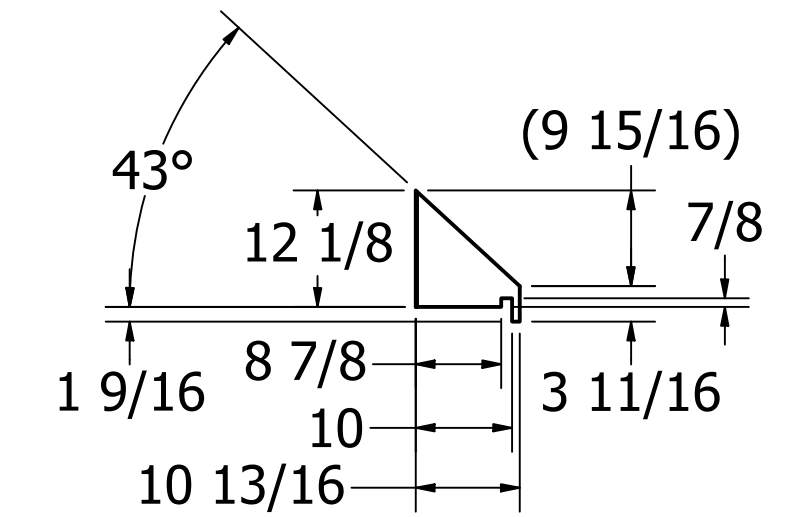
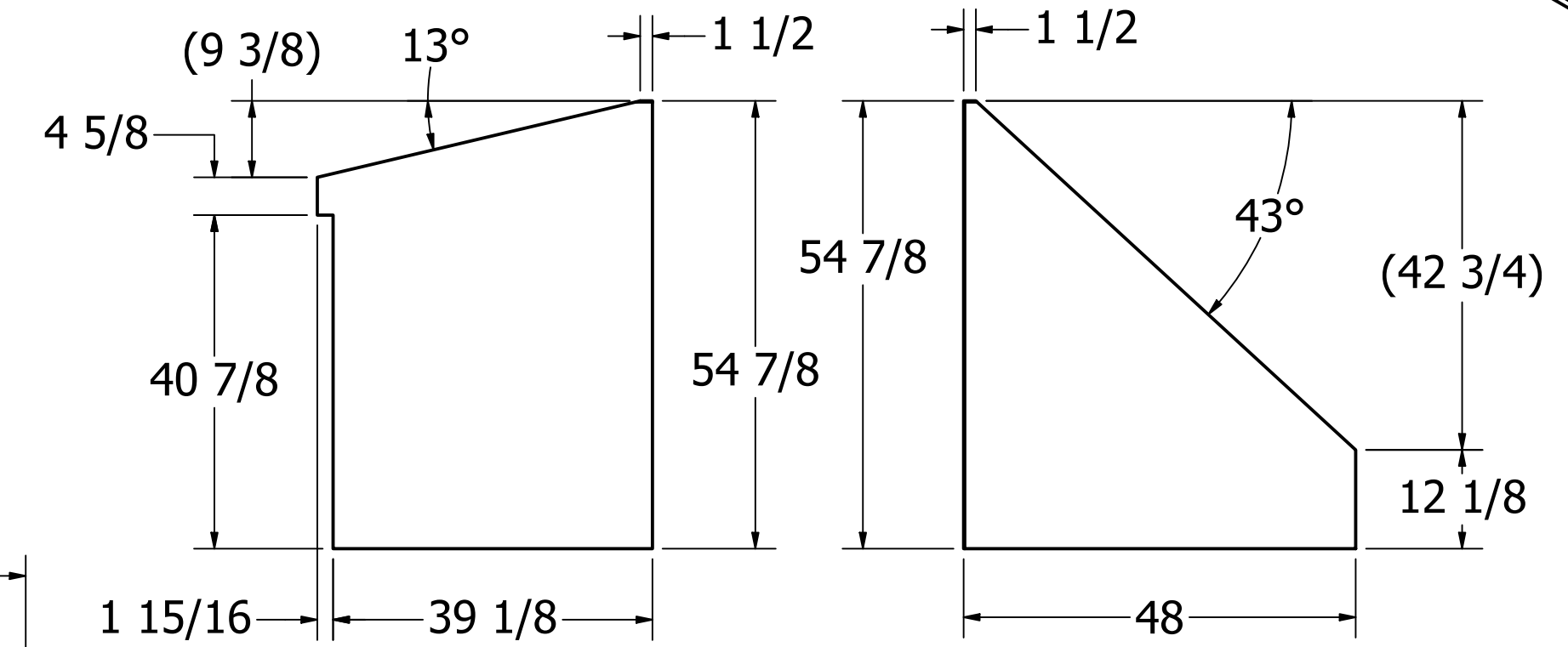
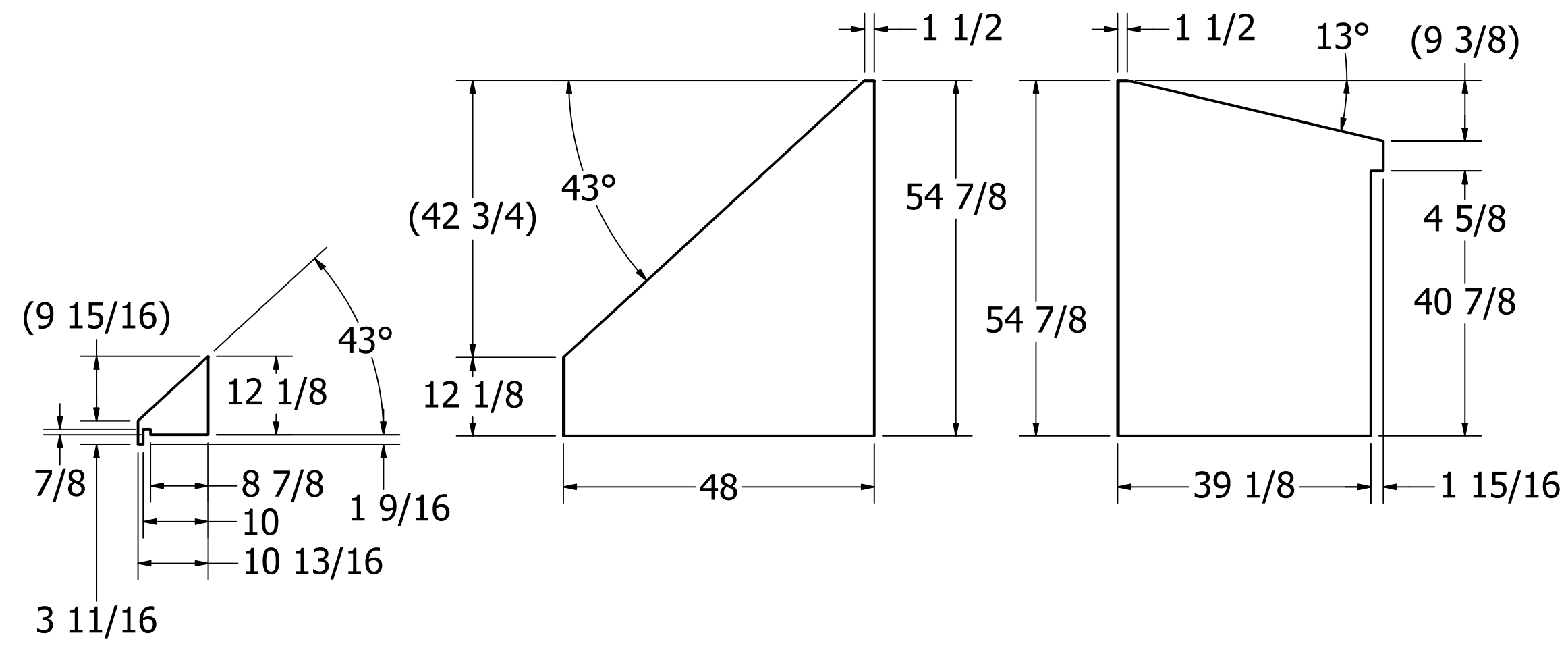
PROPRIETARY AND CONFIDENTIAL
 THE INFORMATION CONTAINED IN THIS DRAWING IS THE SOLE PROPERTY OF SOLARCYCLE LLC. ANY REPRODUCTION IN PART OR AS A WHOLE WITHOUT THE WRITTEN PERMISSION OF SOLARCYCLE LLC IS PROHIBITED.

UNLESS OTHERWISE SPECIFIED	DRAWN	ISAAC	9/11/2022	TITLE	
DIMENSIONS ARE IN INCHES	CHECKED			SOLARCYCLE ONE TINY HOME	
TOLERANCES:	QA			SIZE	DWG NO
FRACTIONAL PART: ± 1/16	MFG			D	SOLARCYCLE TH WD STDS
FRACTIONAL ASSY: ± 1/8	APPROVED			SCALE	REV
ANGLE: ± 1°	COMMENTS:				A
MATERIAL				SHEET 6 OF 13	
FINISH					
DO NOT SCALE DRAWING					

OSB SHEETHING



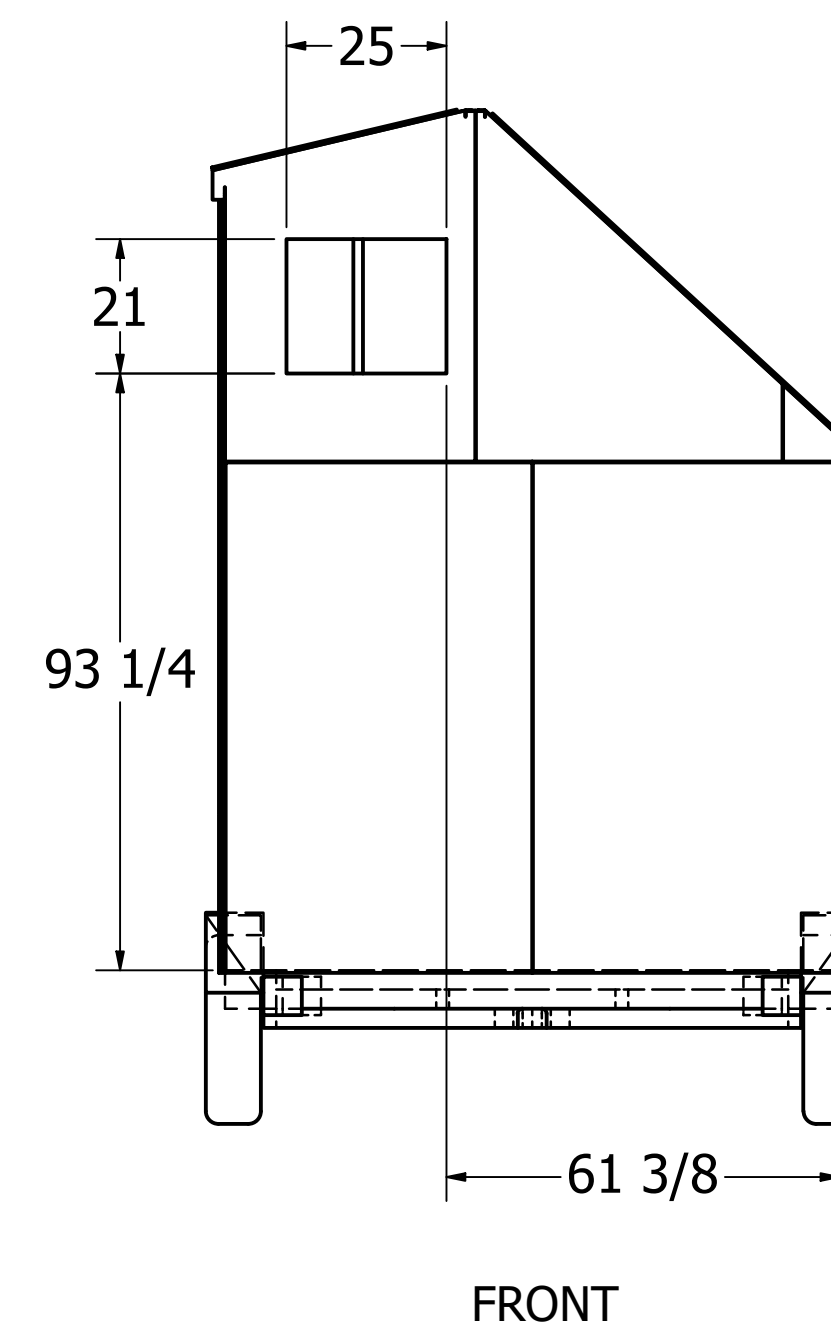
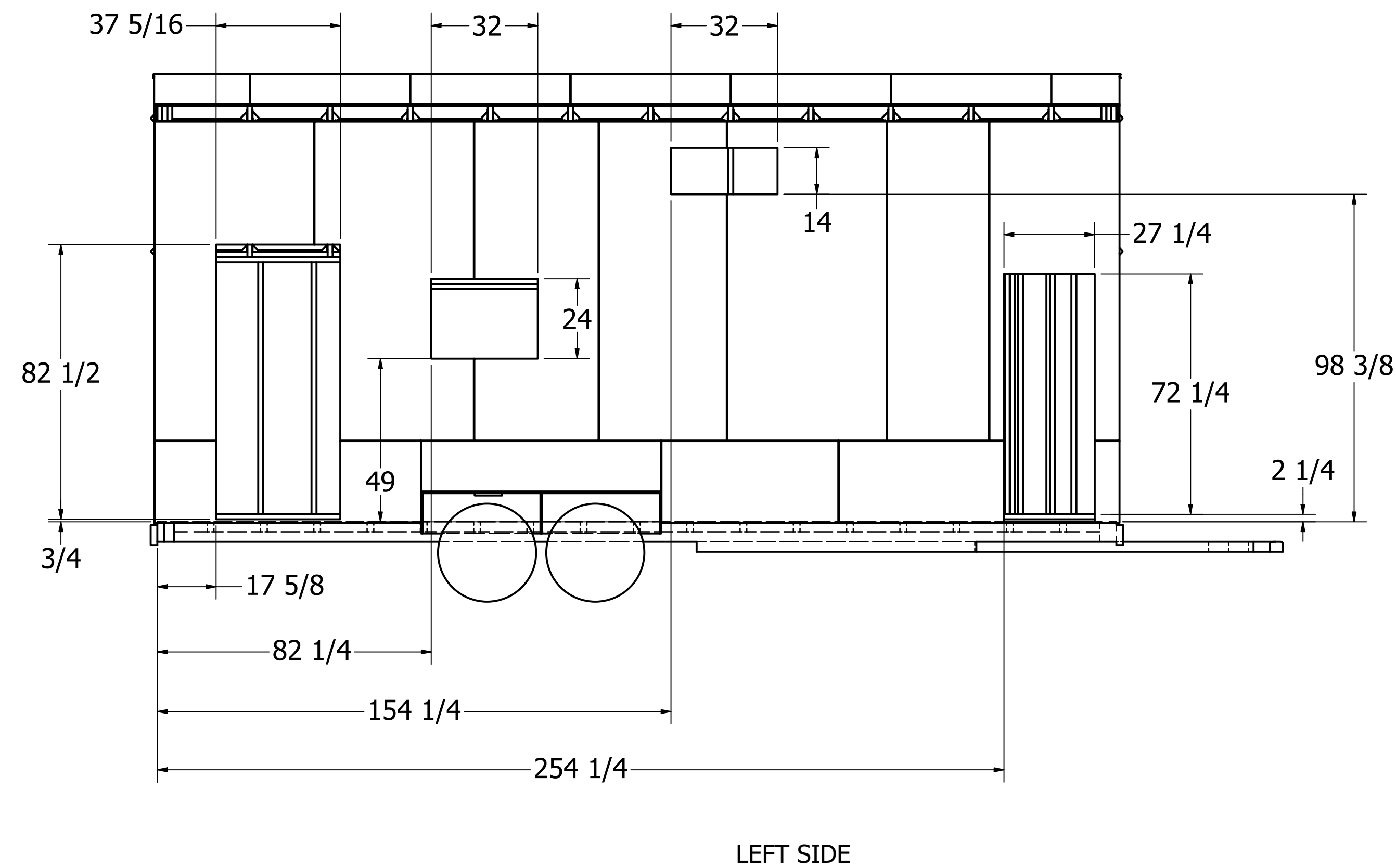
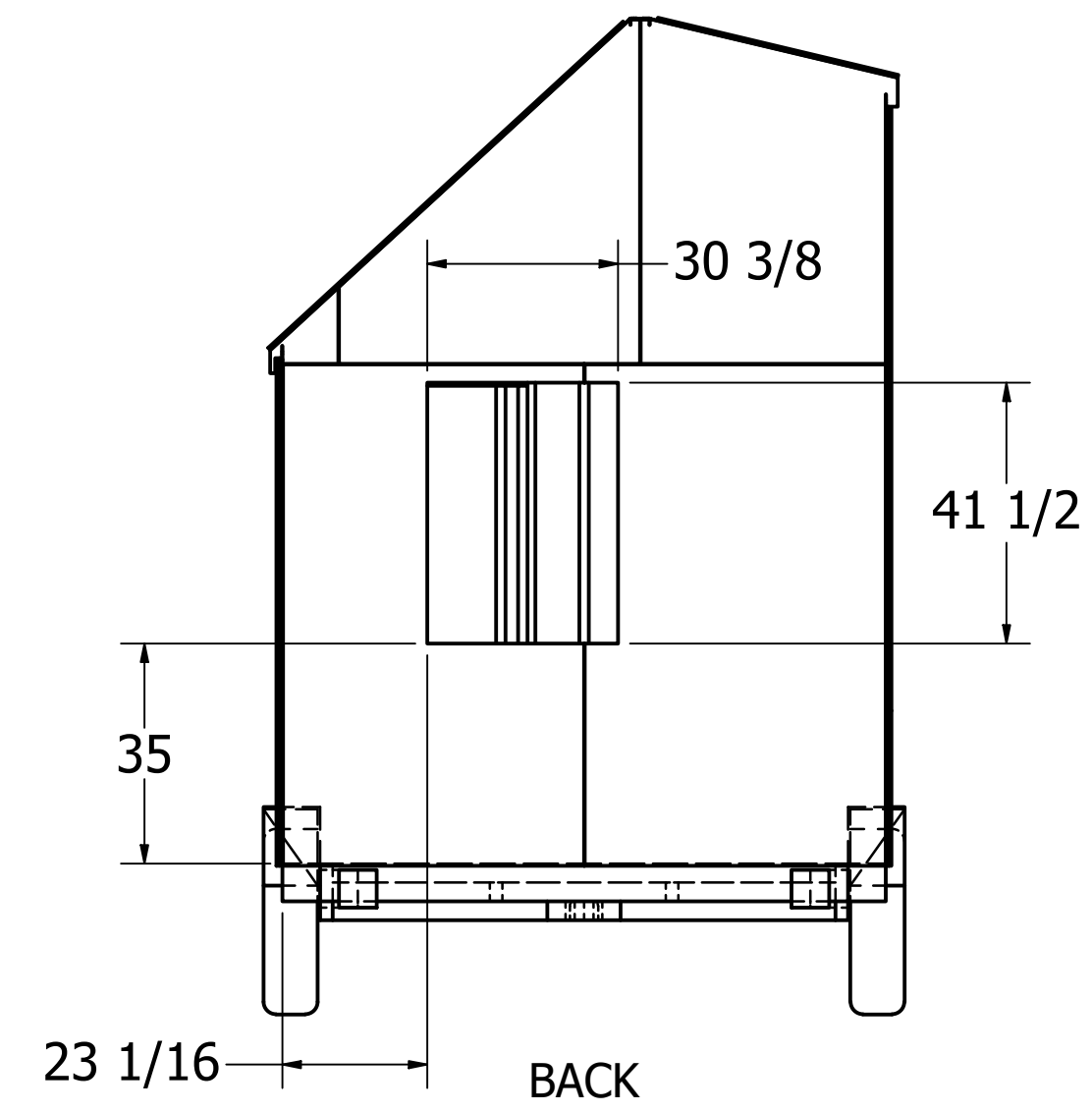
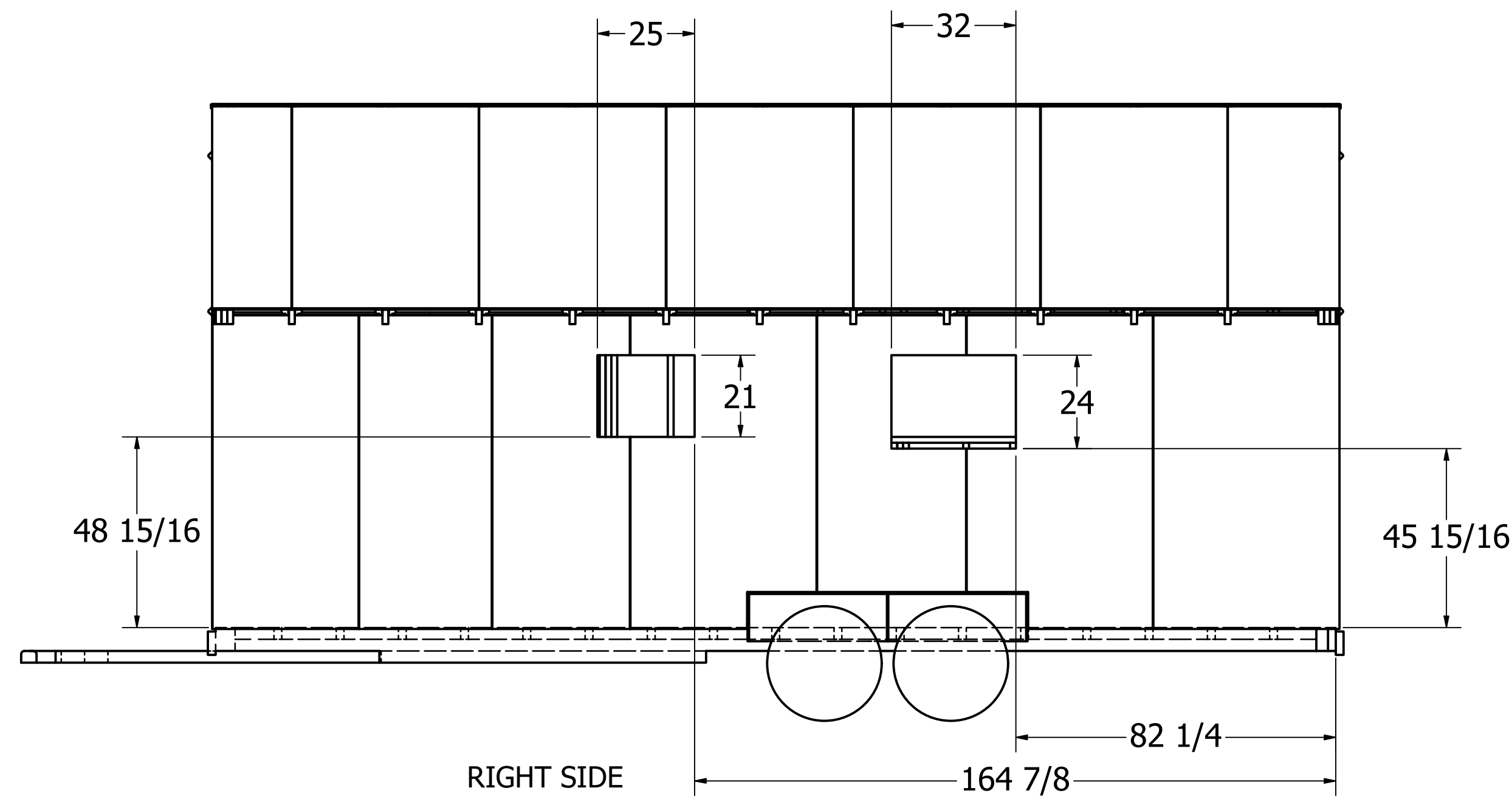
ZIP R-3 WALL SHEETHING



UNLESS OTHERWISE SPECIFIED	DRAWN ISAAC	9/5/2022	TITLE	
DIMENSIONS ARE IN INCHES	CHECKED		SOLARCYCLE ONE TINY HOME	
TOLERANCES:	QA		SIZE	DWG NO
FRACTIONAL PART: ± 1/16	MFG		D	SOLARCYCLE TH WD STDS
FRACTIONAL ASSY: ± 1/8	APPROVED		SCALE	REV
ANGLE: ± 1°	COMMENTS:			A
MATERIAL			SHEET 7 OF 13	
FINISH				
DO NOT SCALE DRAWING				

PROPRIETARY AND CONFIDENTIAL
THE INFORMATION CONTAINED IN THIS DRAWING IS THE SOLE PROPERTY OF SOLARCYCLE LLC. ANY REPRODUCTION IN PART OR AS A WHOLE WITHOUT THE WRITTEN PERMISSION OF SOLARCYCLE LLC IS PROHIBITED.

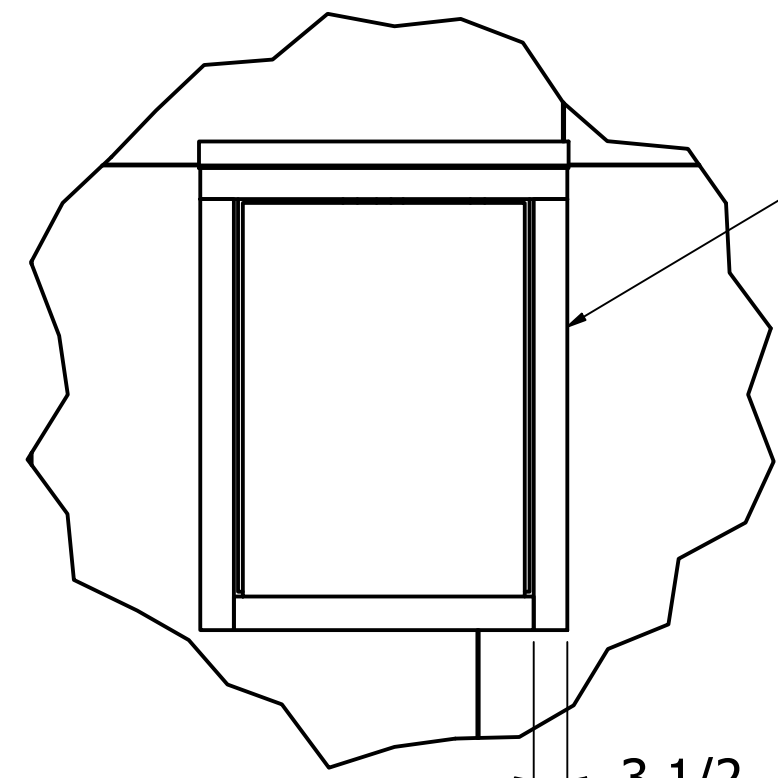
DOOR AND WINDOW ROUGH OPENING DETAILS (HEIGHT DIMENSIONS FROM SURFACE OF TRAILER)



PROPRIETARY AND CONFIDENTIAL
THE INFORMATION CONTAINED IN THIS DRAWING IS THE SOLE PROPERTY OF SOLARCYCLE LLC. ANY REPRODUCTION IN PART OR AS A WHOLE WITHOUT THE WRITTEN PERMISSION OF SOLARCYCLE LLC IS PROHIBITED.

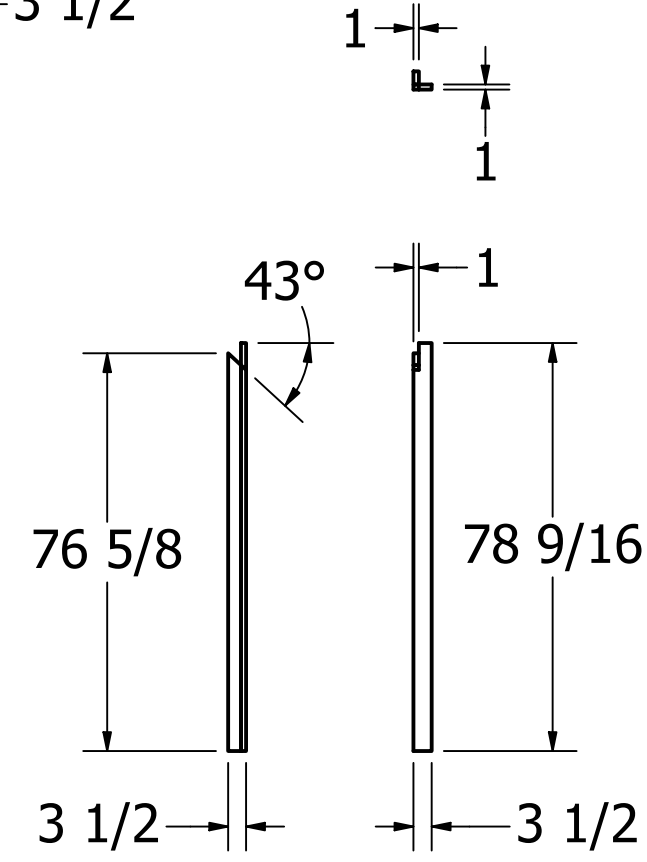
UNLESS OTHERWISE SPECIFIED DIMENSIONS ARE IN INCHES TOLERANCES: FRACTIONAL PART: ± 1/16 FRACTIONAL ASSY: ± 1/8 ANGLE: ± 1°	DRAWN ISAAC	9/5/2022	TITLE	
MATERIAL	CHECKED		SOLARCYCLE ONE TINY HOME	
FINISH	QA		SIZE	DWG NO
DO NOT SCALE DRAWING	MFG		D	SOLARCYCLE TH WD STDS
	APPROVED		SCALE	REV A
	COMMENTS:			SHEET 8 OF 13

TRIM BOARD, FLASHING, AND SOFFIT

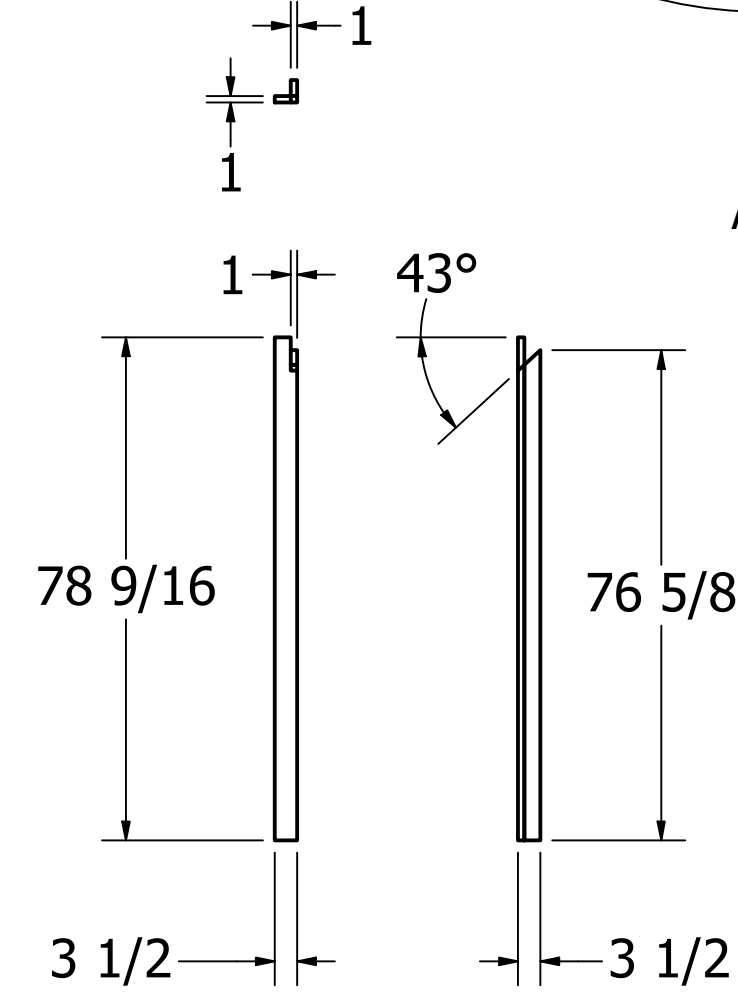
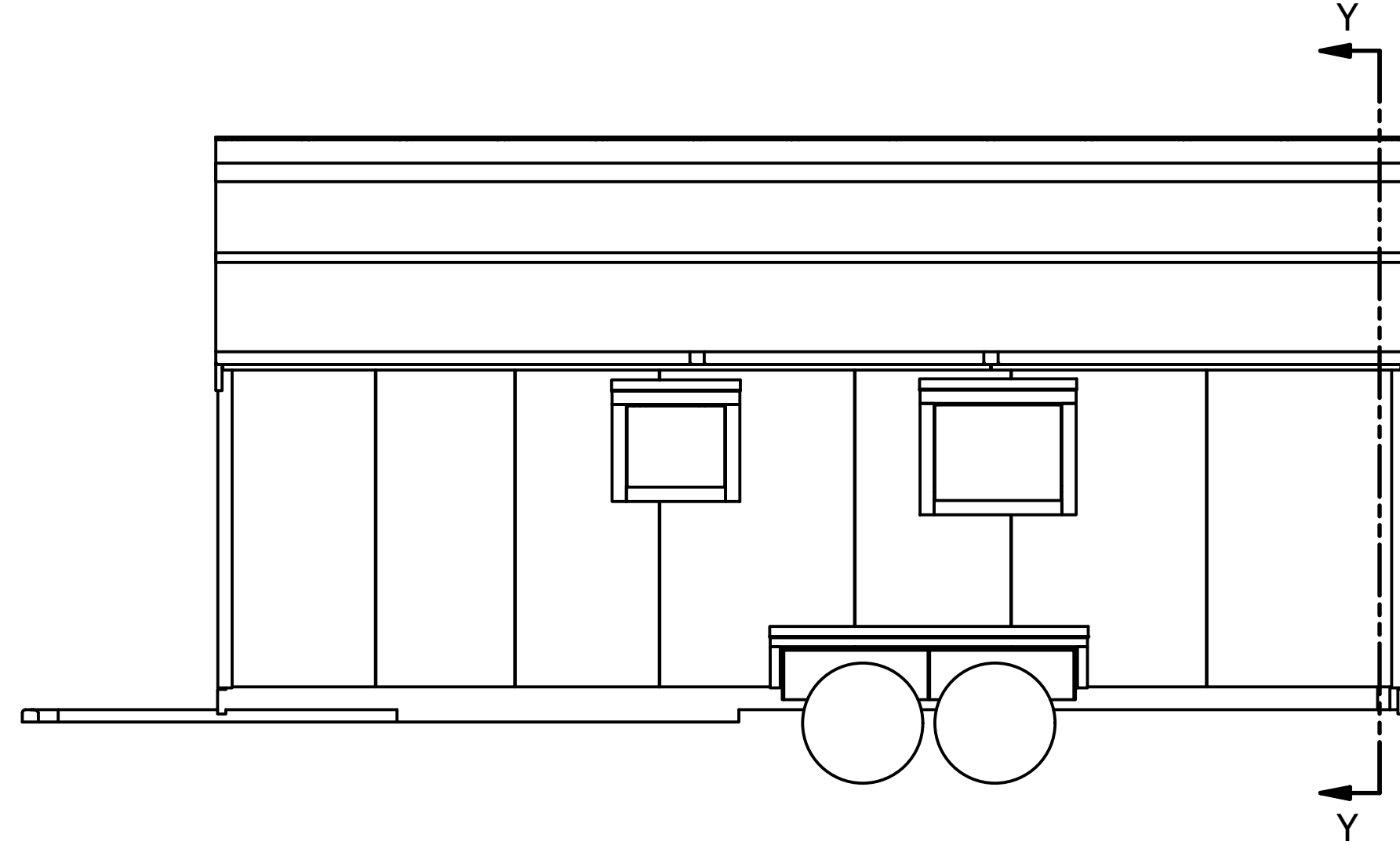


FLASH AND TRIM ALL DOORS AND WINDOWS PER INDUSTRY STANDARDS (WINDOWS SHOWN 1" THICK TRIM BOARD)

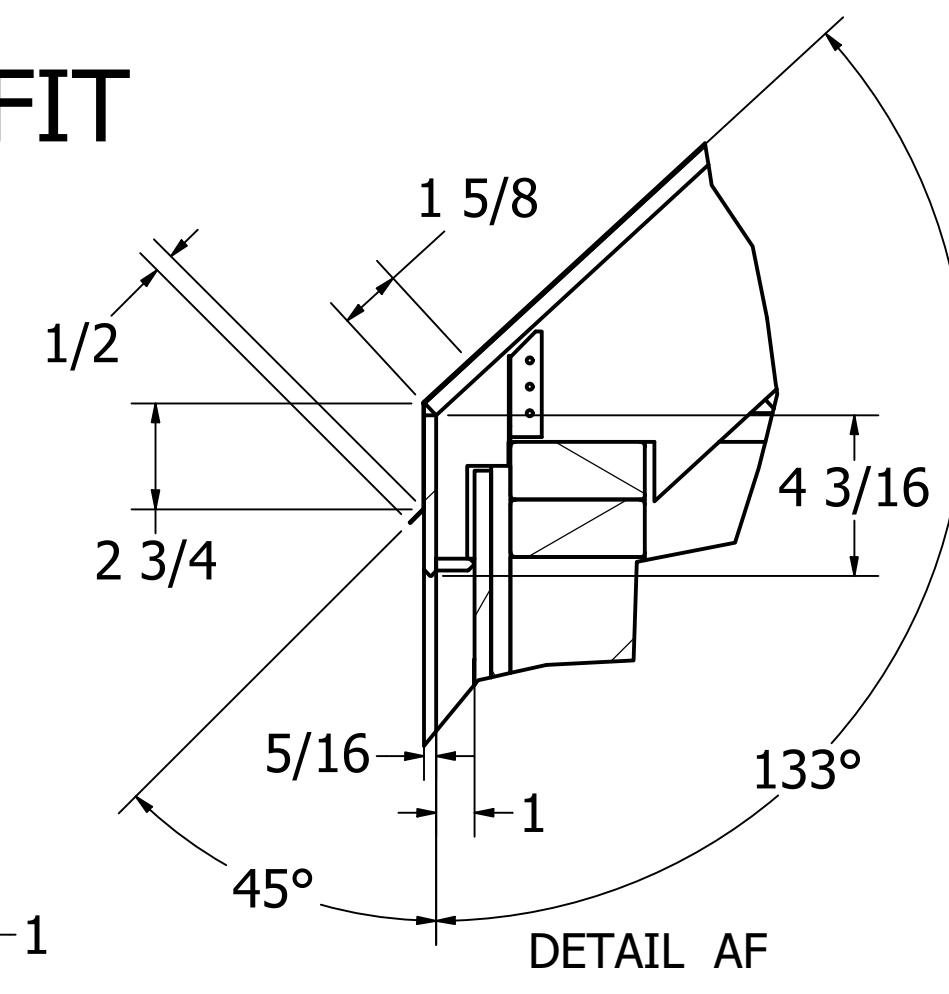
DETAIL AJ



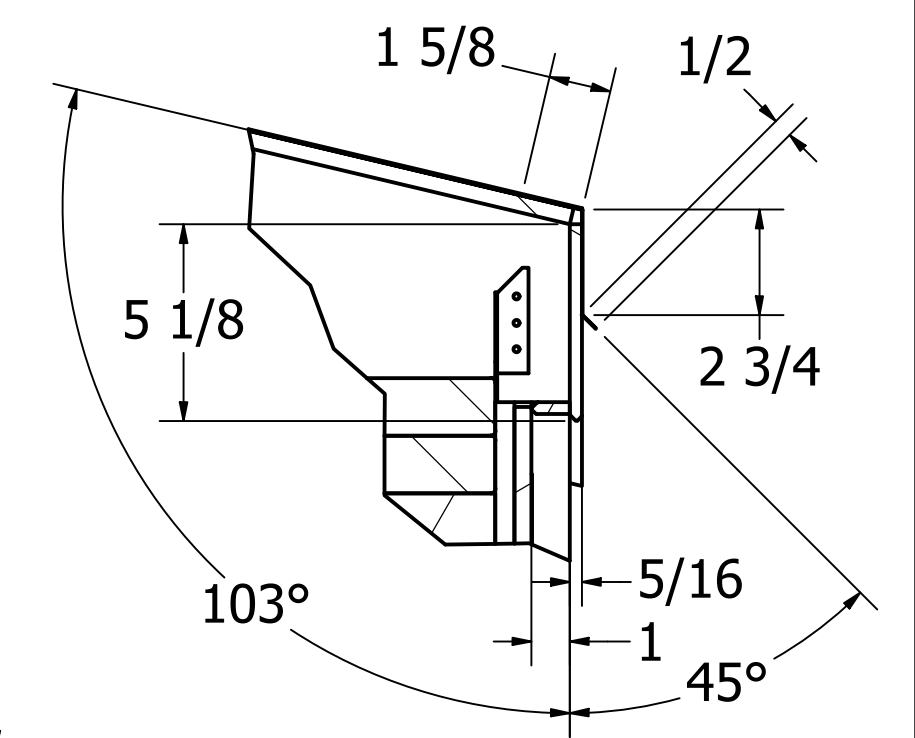
RIGHT FRONT CORNER TRIM



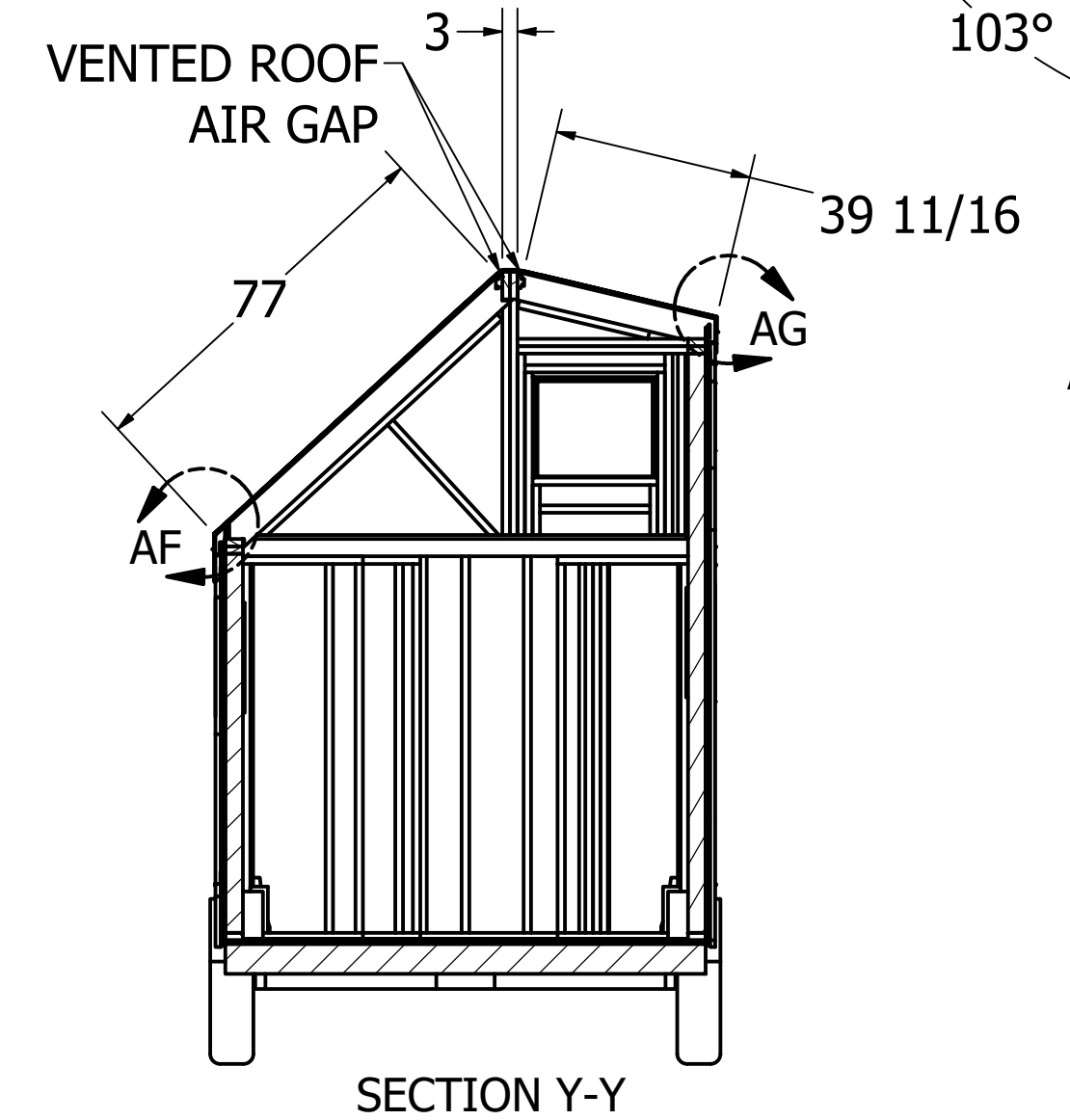
RIGHT BACK CORNER TRIM



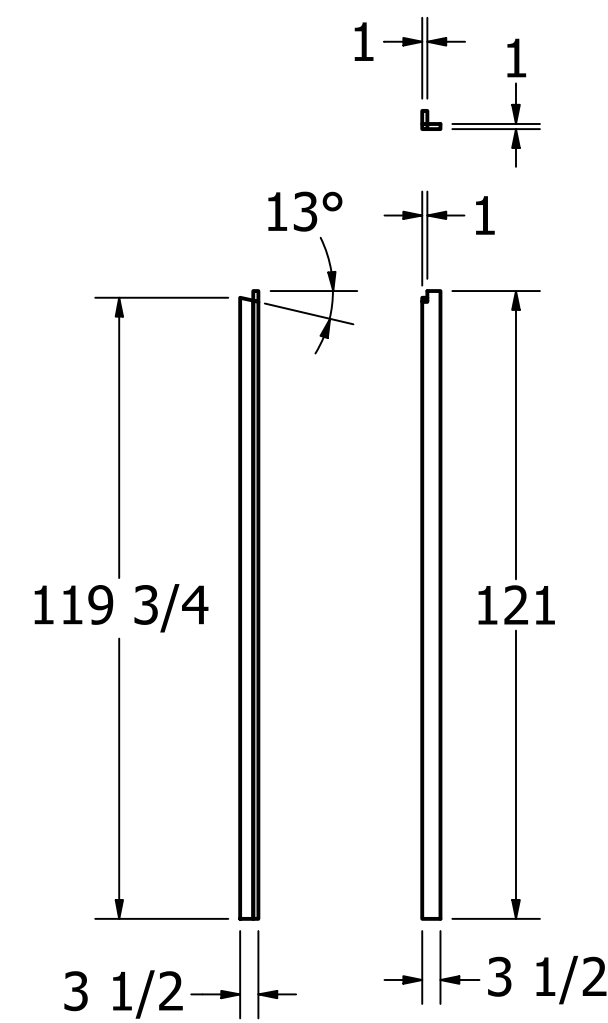
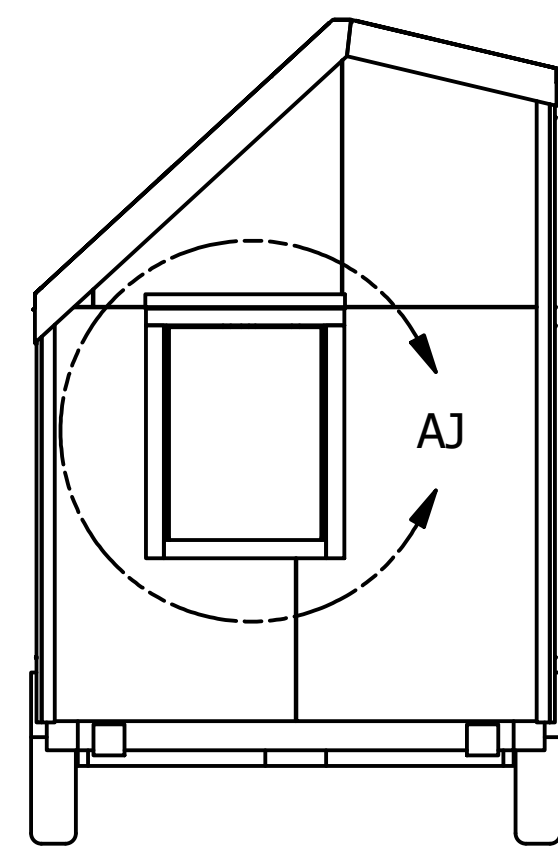
DETAIL AF
RIGHT SOFFIT AND METAL FLASHING



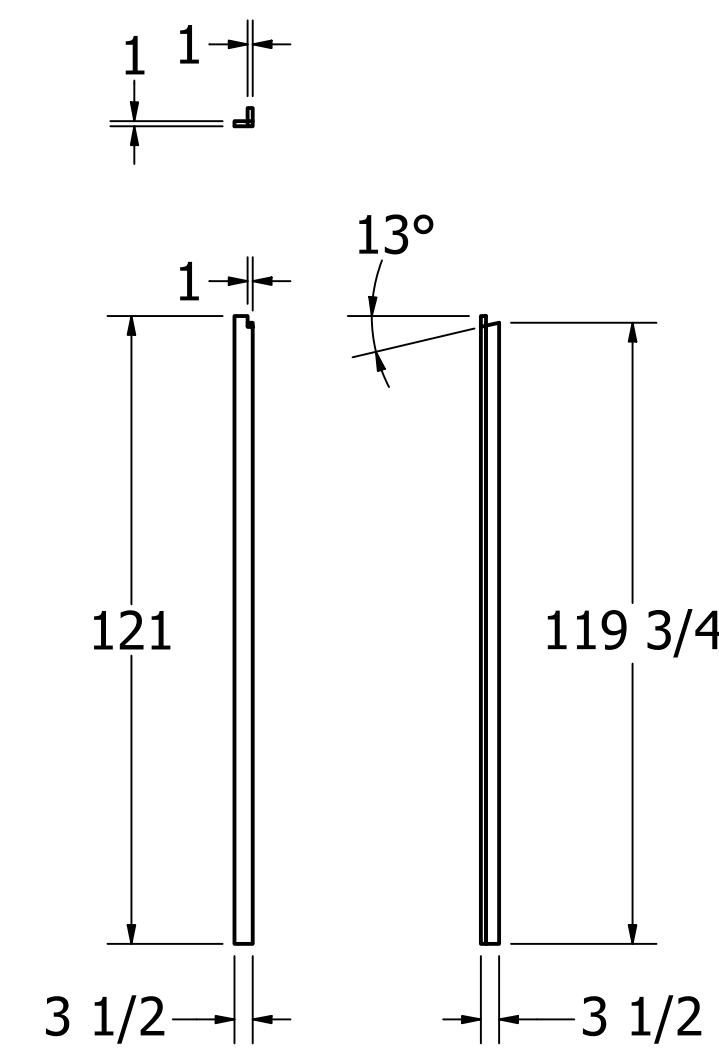
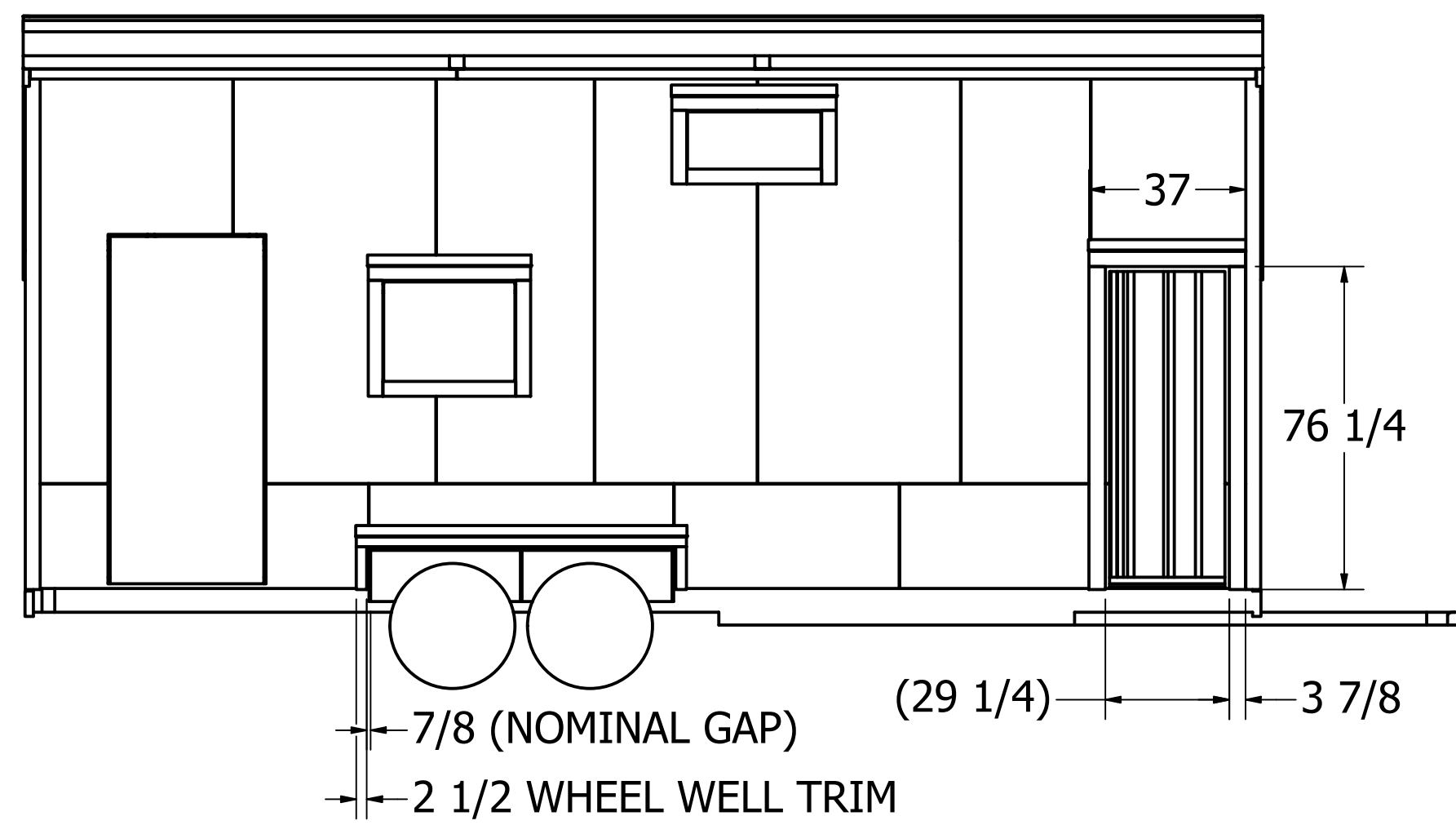
DETAIL AG
LEFT SOFFIT AND METAL FLASHING



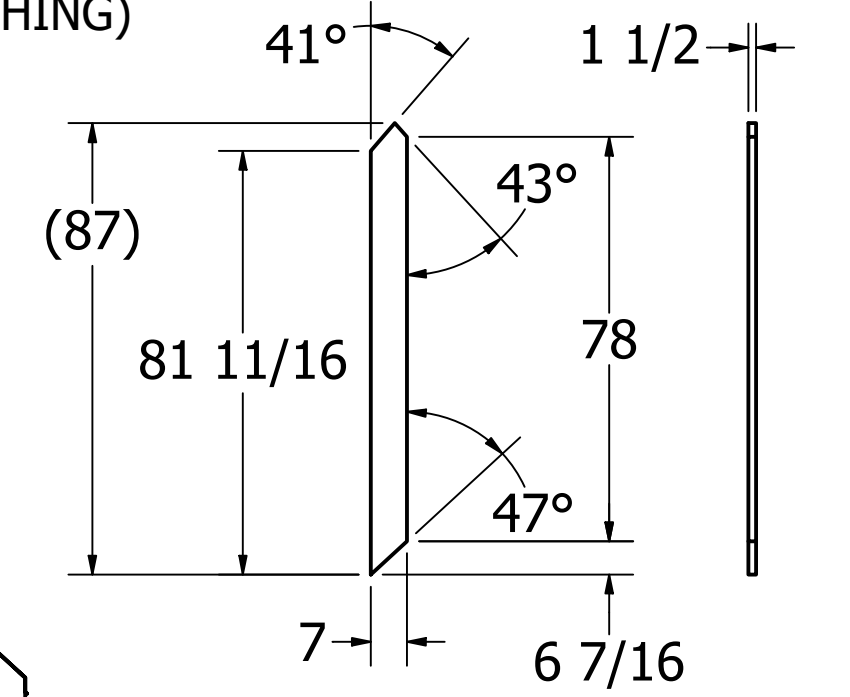
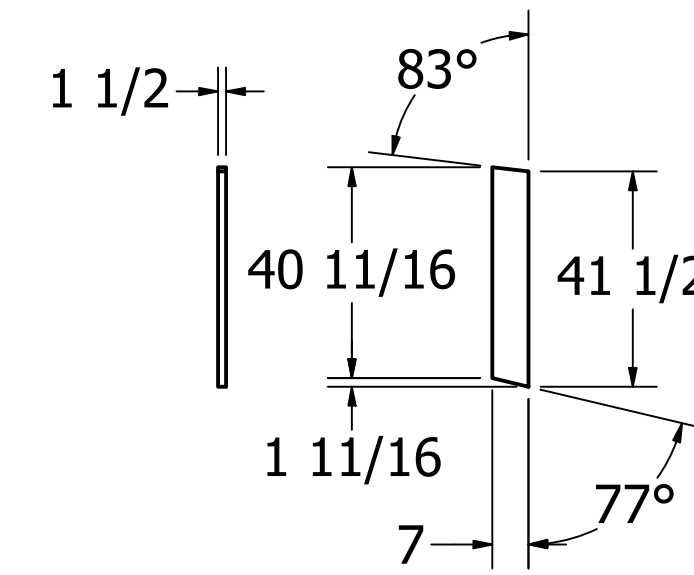
SECTION Y-Y
ICE WATER SHIELD STRIPS (FULL LENGTH OF ROOF OVERLAP TRIM AND FLASHING)



LEFT BACK CORNER TRIM



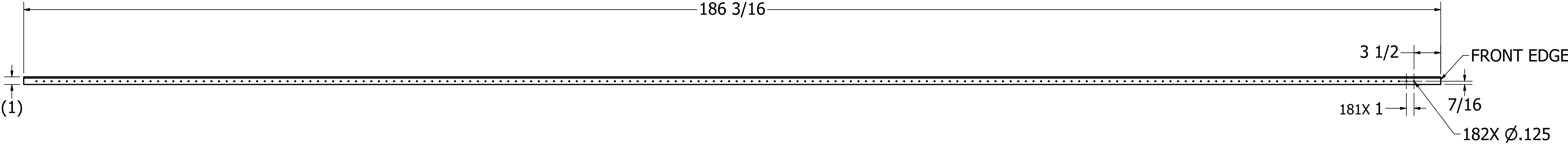
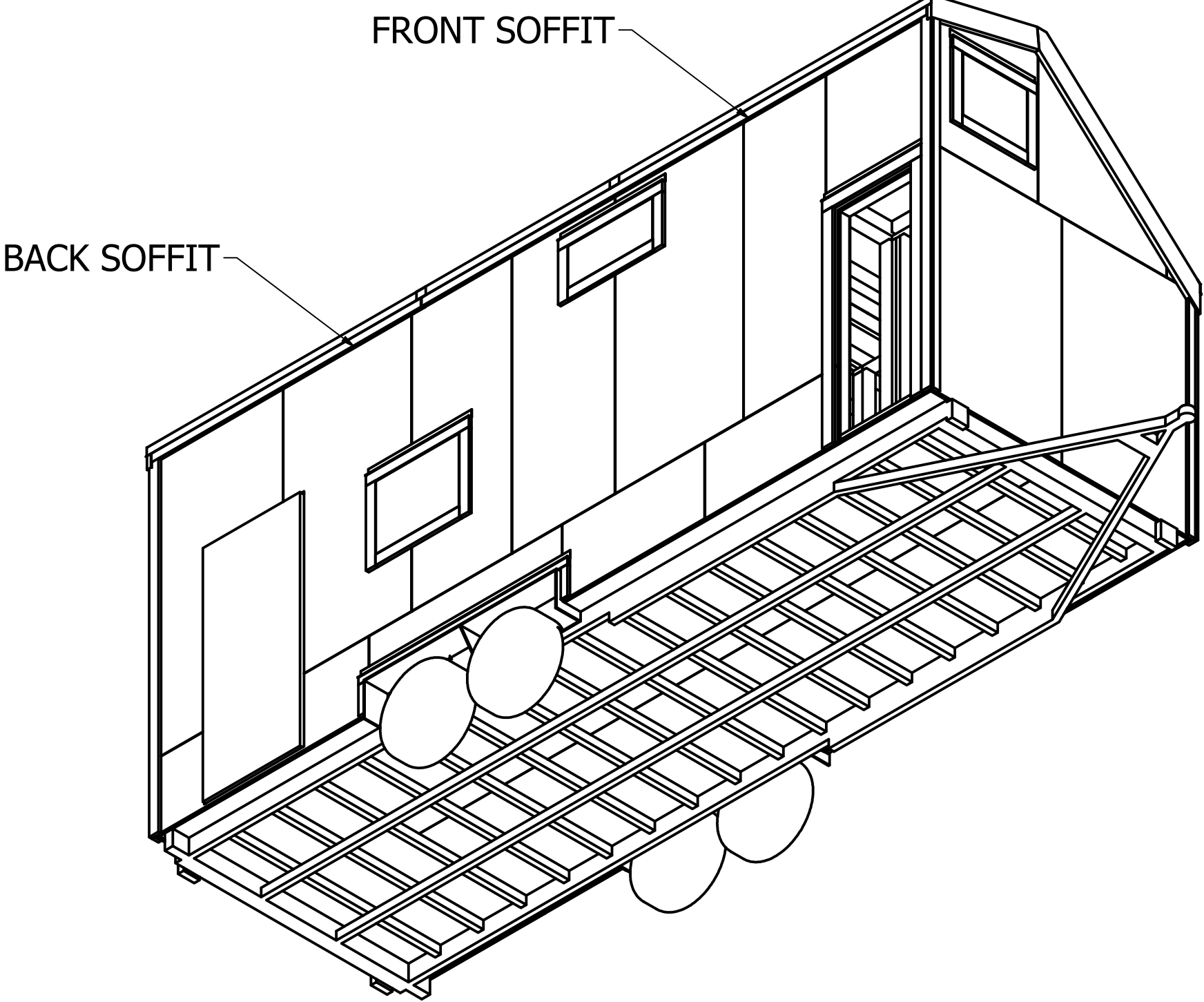
LEFT FRONT CORNER TRIM



UNLESS OTHERWISE SPECIFIED	DRAWN	9/5/2022	TITLE	
DIMENSIONS ARE IN INCHES	ISAAC		SOLARCYCLE ONE TINY HOME	
TOLERANCES:	CHECKED		SIZE	DWG NO
FRACTIONAL PART: ± 1/16	QA		D	SOLARCYCLE TH WD STDS
FRACTIONAL ASSY: ± 1/8	MFG		SCALE	REV
ANGLE: ± 1°	APPROVED			A
MATERIAL	COMMENTS:		SHEET 9 OF 13	
FINISH				
DO NOT SCALE DRAWING				

PROPRIETARY AND CONFIDENTIAL
THE INFORMATION CONTAINED IN THIS DRAWING IS THE SOLE PROPERTY OF SOLARCYCLE LLC. ANY REPRODUCTION IN PART OR AS A WHOLE WITHOUT THE WRITTEN PERMISSION OF SOLARCYCLE LLC IS PROHIBITED.

SOFFIT DETAIL

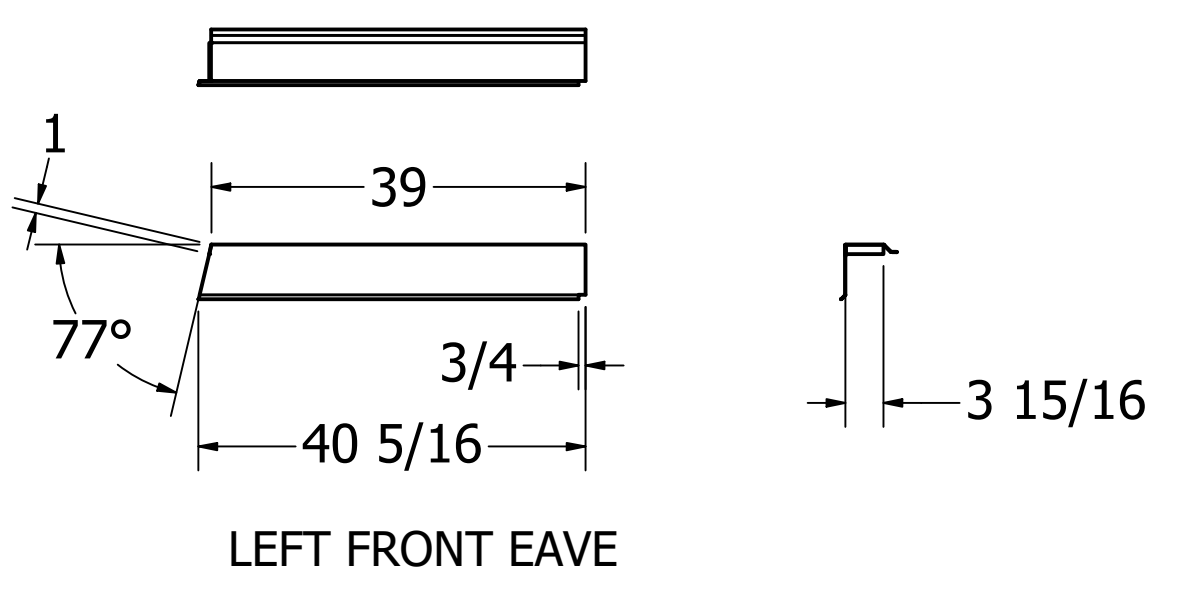
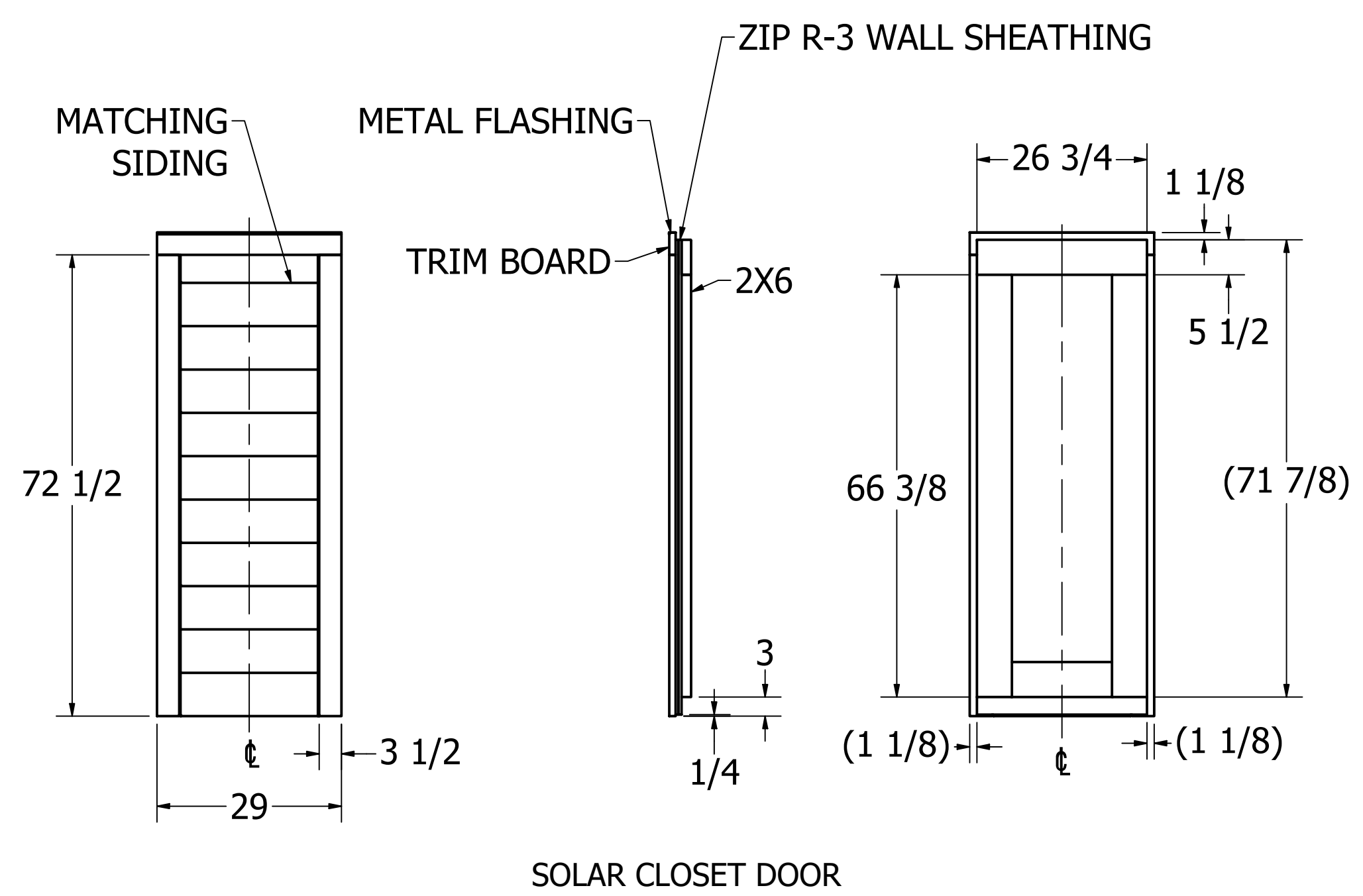
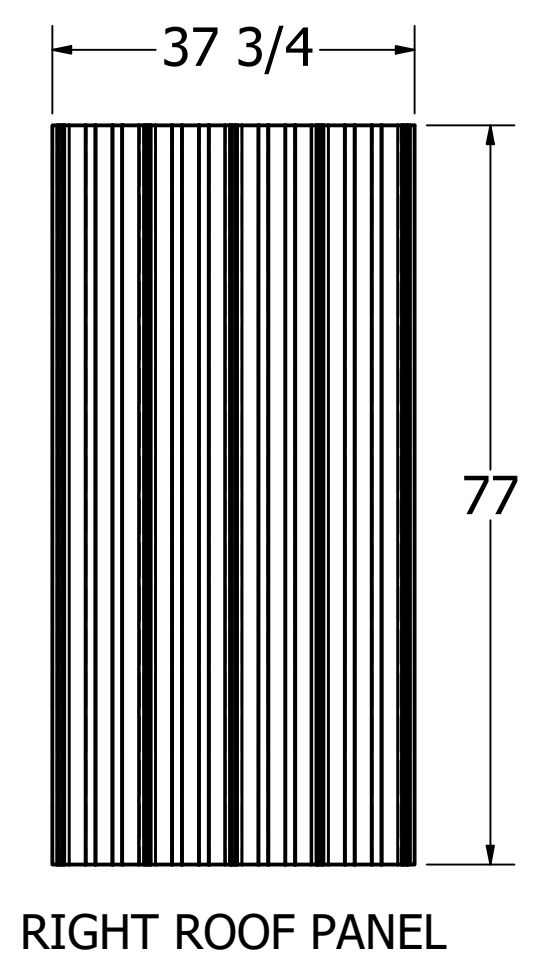
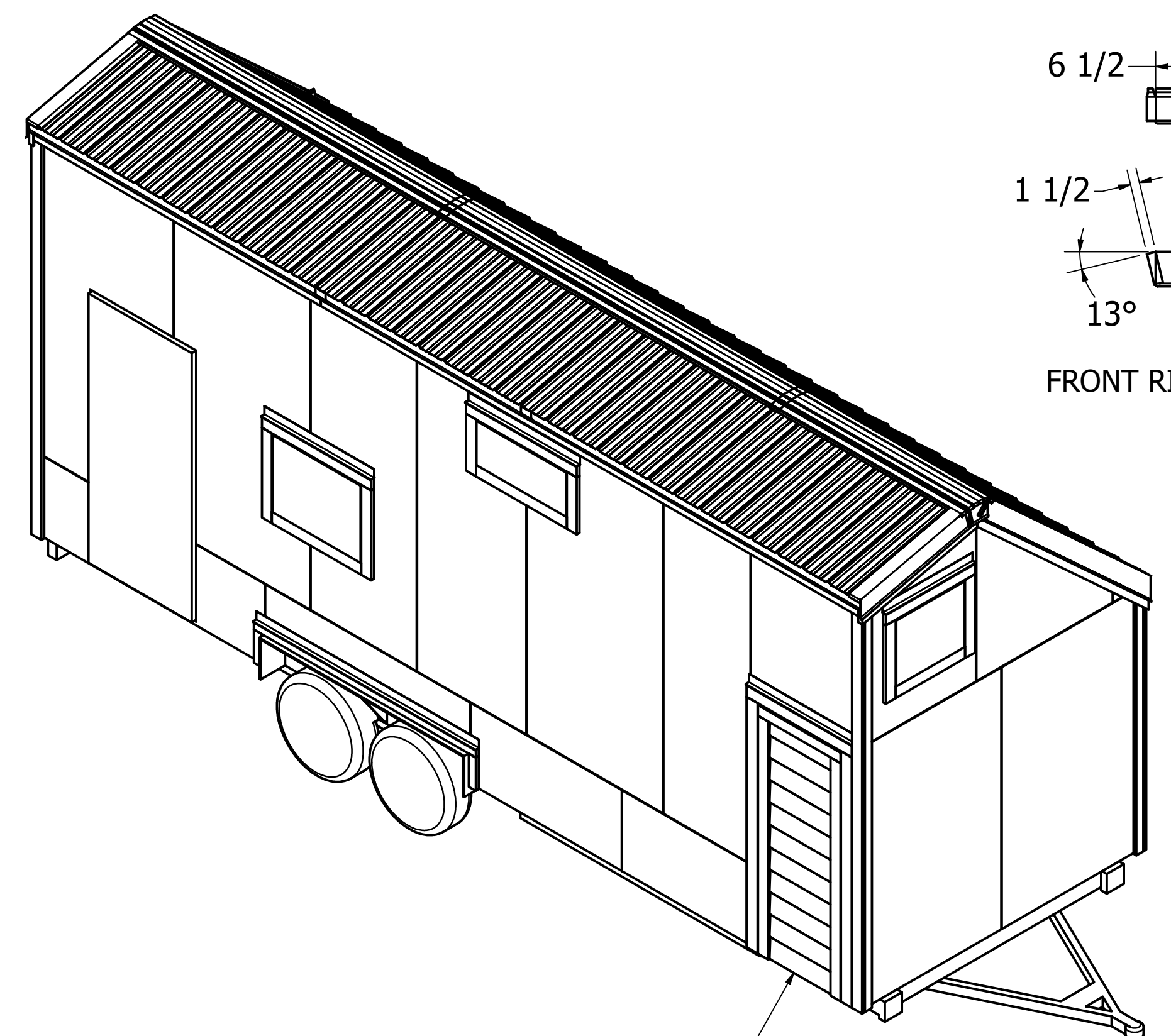
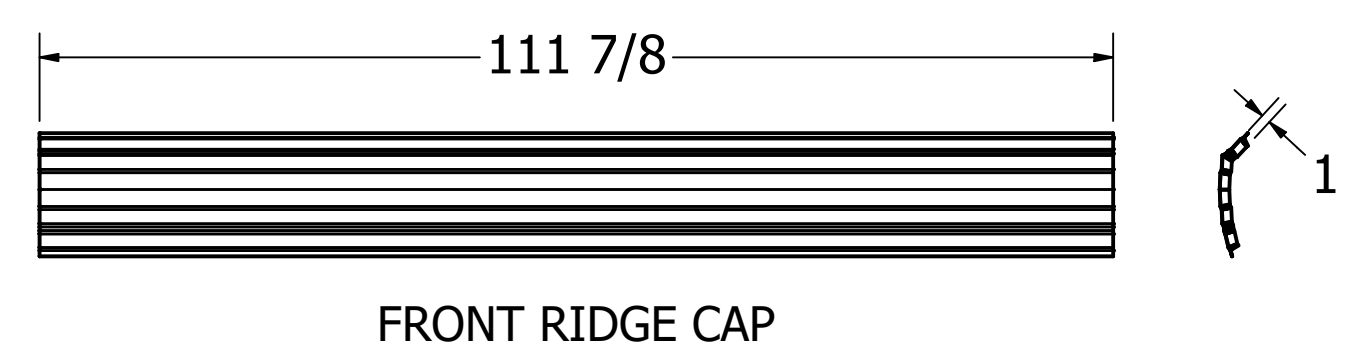
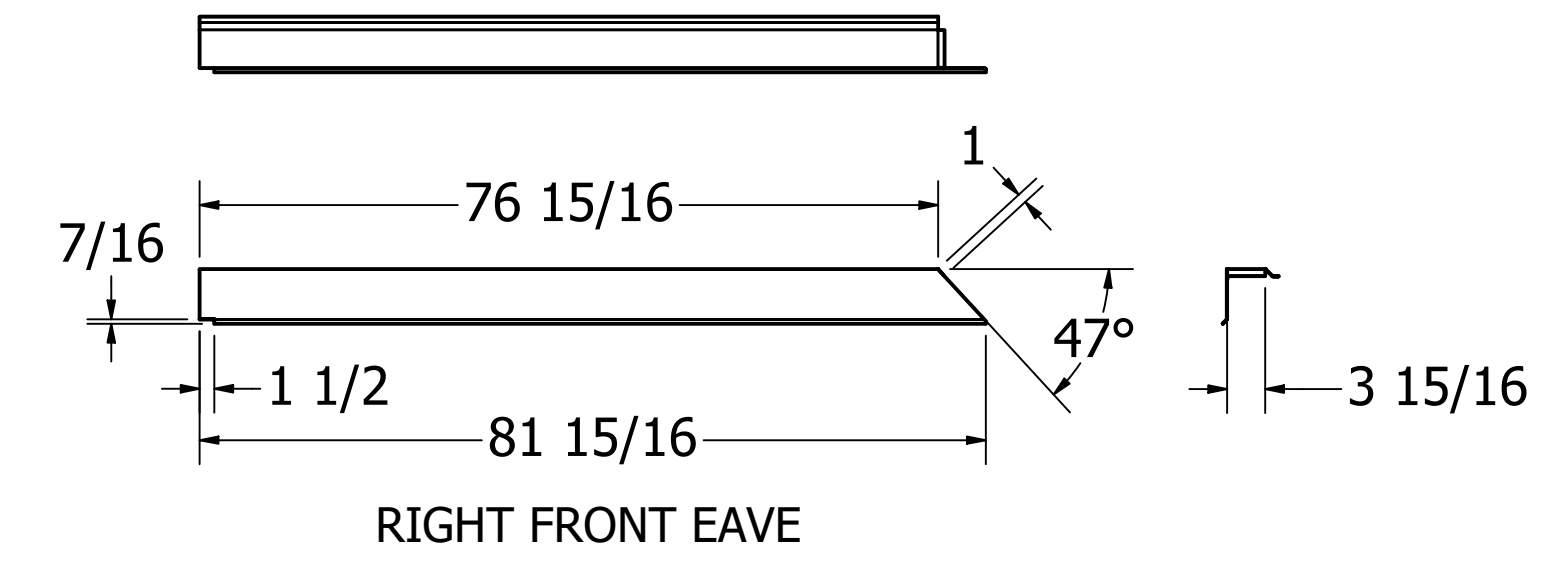
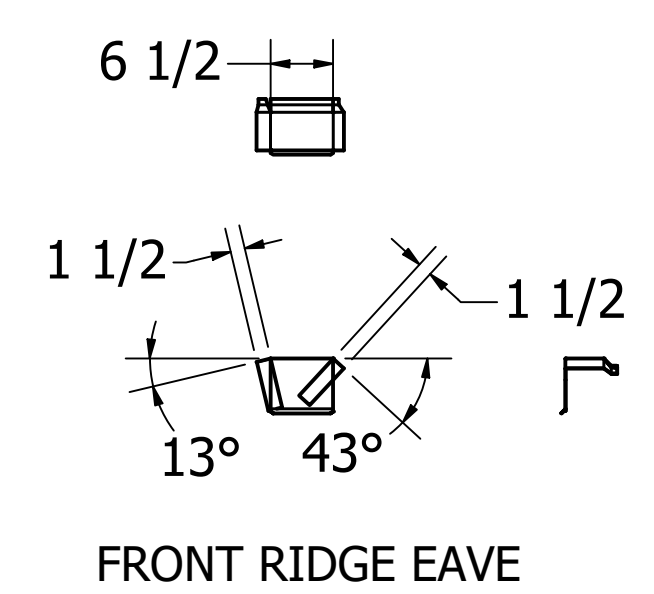
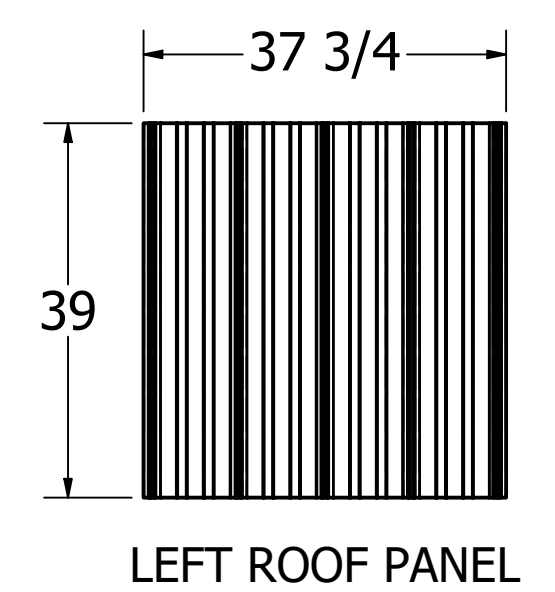
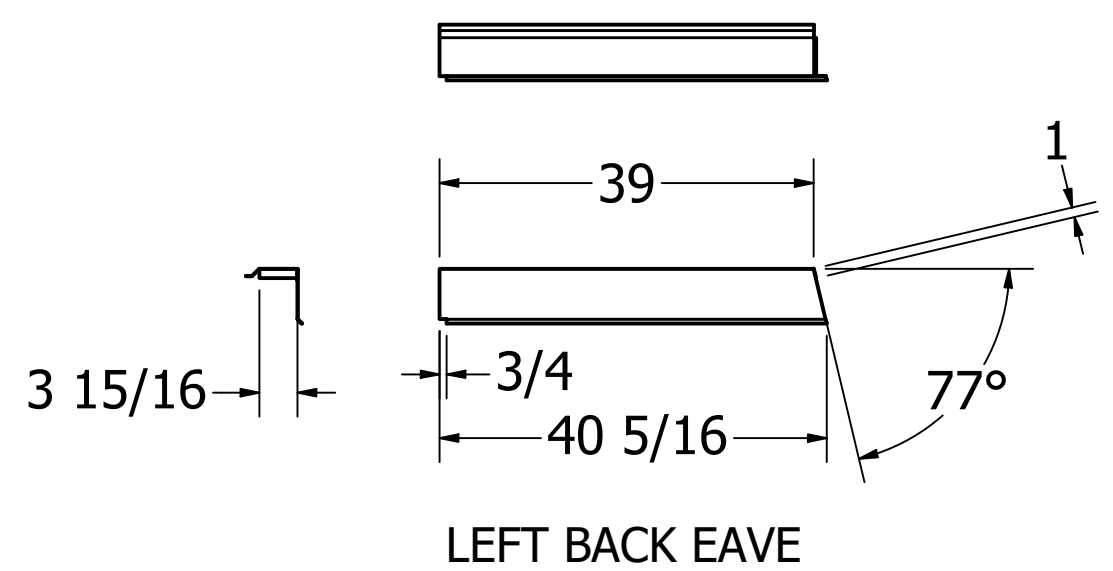
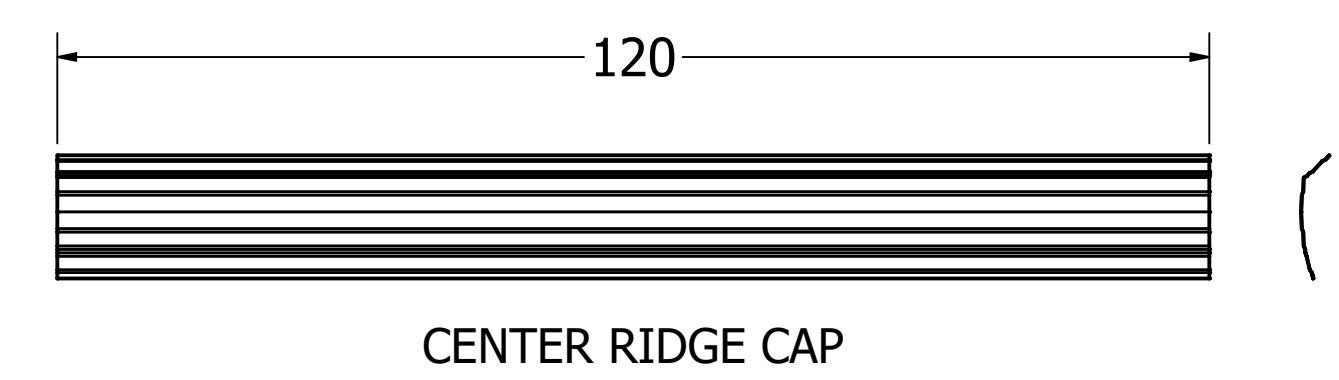
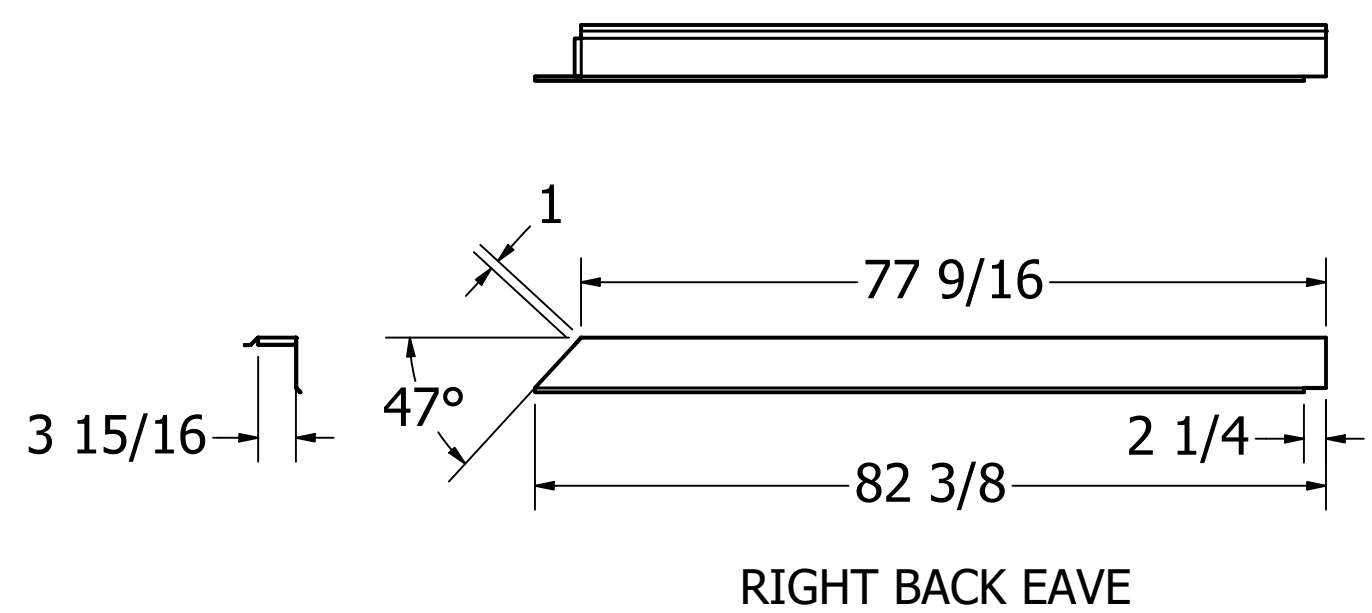
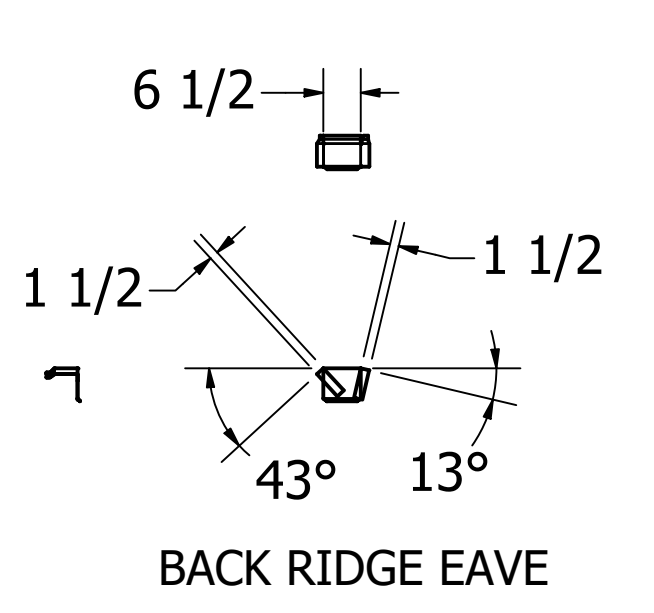
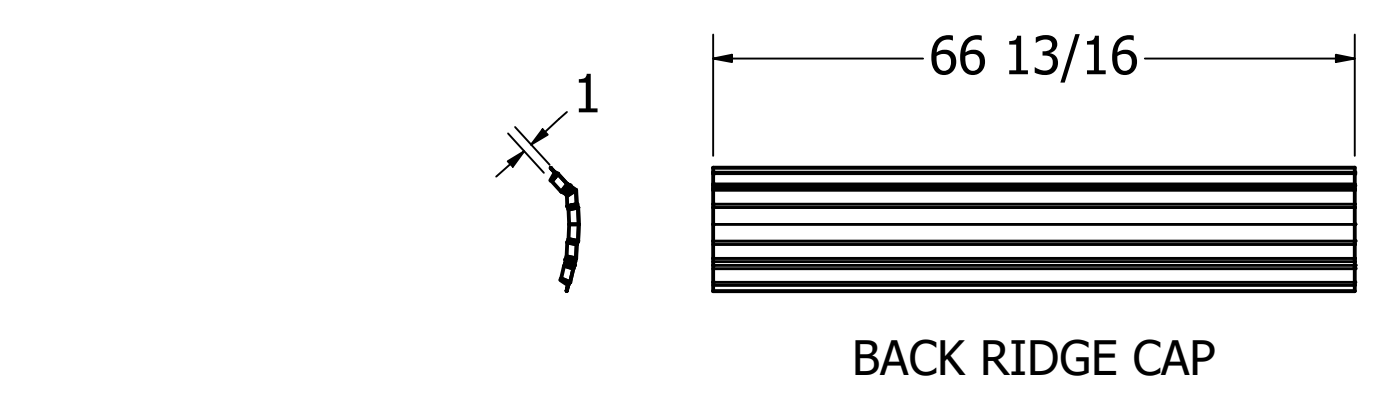


PROPRIETARY AND CONFIDENTIAL

THE INFORMATION CONTAINED IN THIS DRAWING IS THE SOLE PROPERTY OF SOLARCYCLE LLC. ANY REPRODUCTION IN PART OR AS A WHOLE WITHOUT THE WRITTEN PERMISSION OF SOLARCYCLE LLC IS PROHIBITED.

UNLESS OTHERWISE SPECIFIED	DRAWN	ISAAC	9/5/2022	TITLE	
DIMENSIONS ARE IN INCHES	CHECKED			SOLARCYCLE ONE TINY HOME	
TOLERANCES:	QA			SIZE	D
FRACTIONAL PART: ± 1/16	MFG			DWG NO	SOLARCYCLE TH WD STDS
FRACTIONAL ASSY: ± 1/8	APPROVED			REV	A
ANGLE: ± 1°	COMMENTS:			SCALE	
MATERIAL				SHEET 10 OF 13	
FINISH					
DO NOT SCALE DRAWING					

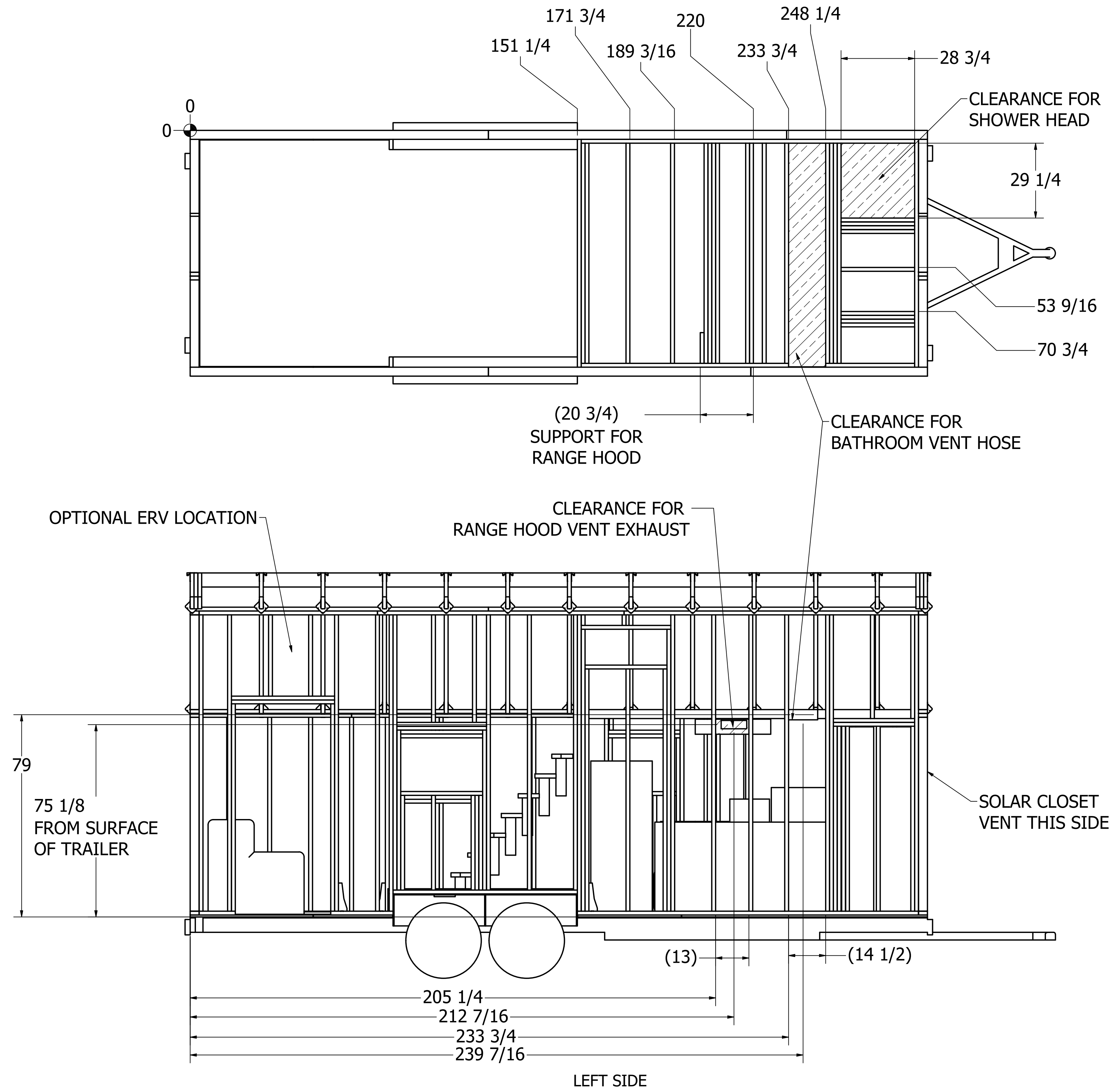
METAL ROOF AND CLOSET DOOR DETAIL (INSTALL PER MANUFACTURER'S INSTRUCTIONS)



PROPRIETARY AND CONFIDENTIAL
THE INFORMATION CONTAINED IN THIS DRAWING IS THE SOLE PROPERTY OF SOLARCYLE LLC. ANY REPRODUCTION IN PART OR AS A WHOLE WITHOUT THE WRITTEN PERMISSION OF SOLARCYLE LLC IS PROHIBITED.

UNLESS OTHERWISE SPECIFIED	DRAWN	ISAAC	9/5/2022	TITLE
DIMENSIONS ARE IN INCHES	CHECKED			
TOLERANCES:	QA			
FRACTIONAL PART: ± 1/16	MFG			
FRACTIONAL ASSY: ± 1/8	APPROVED			
ANGLE: ± 1°	COMMENTS:			
MATERIAL			SIZE	DWG NO
FINISH			D	SOLARCYLE TH WD STDS
DO NOT SCALE DRAWING			SCALE	REV A
				SHEET 11 OF 13

TINY HOME VENT DETAILS

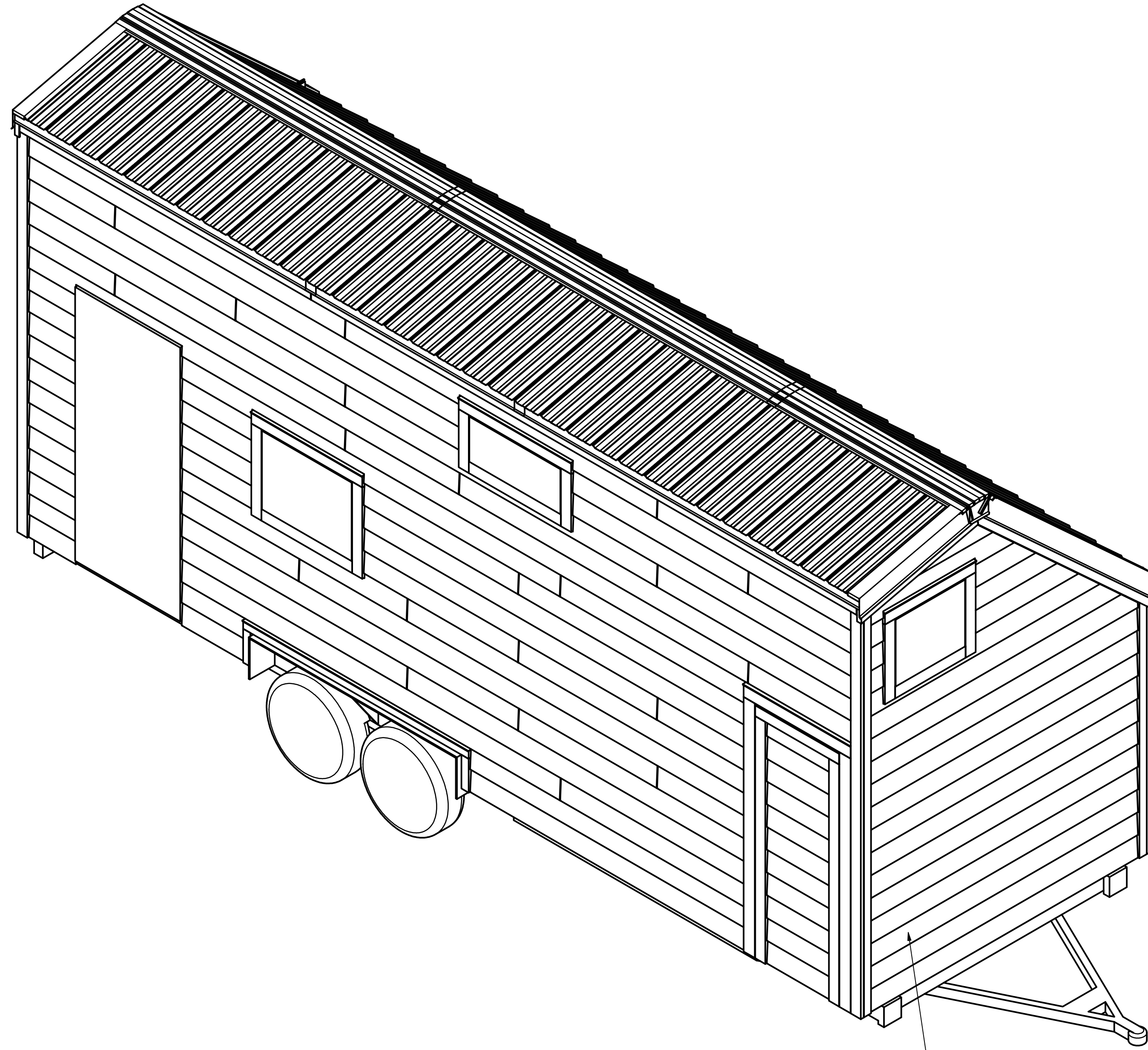


UNLESS OTHERWISE SPECIFIED	DRAWN ISAAC	9/5/2022	TITLE	
DIMENSIONS ARE IN INCHES	CHECKED		SOLARCYCLE ONE TINY HOME	
TOLERANCES:	QA		SIZE	DWG NO
FRACTIONAL PART: ± 1/16	MFG		D	SOLARCYCLE TH WD STDS
FRACTIONAL ASSY: ± 1/8	APPROVED		SCALE	REV A
ANGLE: ± 1°	COMMENTS:			SHEET 12 OF 13
DO NOT SCALE DRAWING				

PROPRIETARY AND CONFIDENTIAL

THE INFORMATION CONTAINED IN THIS DRAWING IS THE SOLE PROPERTY OF SOLARCYCLE LLC. ANY REPRODUCTION IN PART OR AS A WHOLE WITHOUT THE WRITTEN PERMISSION OF SOLARCYCLE LLC IS PROHIBITED.

SIDING PER MANUFACTURER'S INSTRUCTIONS
(INTERIOR FINISH AND ELECTRICAL VARIES, NOT SHOWN)



RECOMMENDED ELECTRICAL
CONNECTION LOCATION

PROPRIETARY AND CONFIDENTIAL
THE INFORMATION CONTAINED IN THIS
DRAWING IS THE SOLE PROPERTY OF
SOLARCYLE LLC. ANY REPRODUCTION
IN PART OR AS A WHOLE WITHOUT THE
WRITTEN PERMISSION OF SOLARCYLE LLC IS
PROHIBITED.

UNLESS OTHERWISE SPECIFIED	DRAWN ISAAC	9/5/2022	TITLE	
DIMENSIONS ARE IN INCHES	CHECKED		SOLARCYLE ONE TINY HOME	
TOLERANCES:	QA		SIZE	D
FRACTIONAL PART: ± 1/16	MFG		DWG NO	SOLARCYLE TH WD STDS
FRACTIONAL ASSY: ± 1/8	APPROVED		SCALE	
ANGLE: ± 1°	COMMENTS:			REV A
MATERIAL				SHEET 13 OF 13
FINISH				
DO NOT SCALE DRAWING				