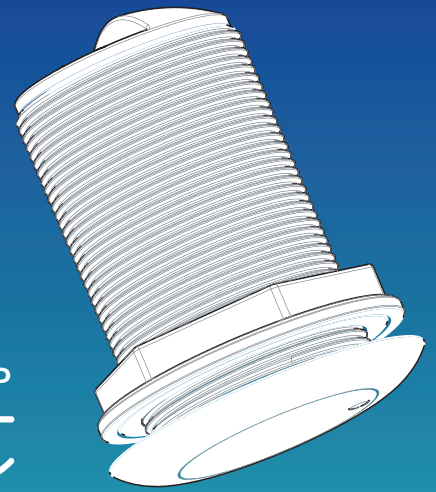


# High Frequency CHIRP Transducer

BT70H600 / ST70H600

130-210 kHz 600 Watts



## Great bottom detail and fish target resolution in shallow water up to 213 m (700 ft)

A low-profile thru hull CHIRP transducer, that matches vessels deadrise to specific angle.

This series of transducers is designed to **minimize drag** and to **perform at high speeds**.



Available in bronze\* and stainless steel.

**\*Warning:** do not install bronze housing into metal hulls.

### TRANSDUCER

- CHIRP

### FREQUENCY

- 130 - 210 kHz  
High Frequency

### BEAMWIDTH

- 17° - 11°

### POWER

- 600 W

### MOUNT

- Thru hull

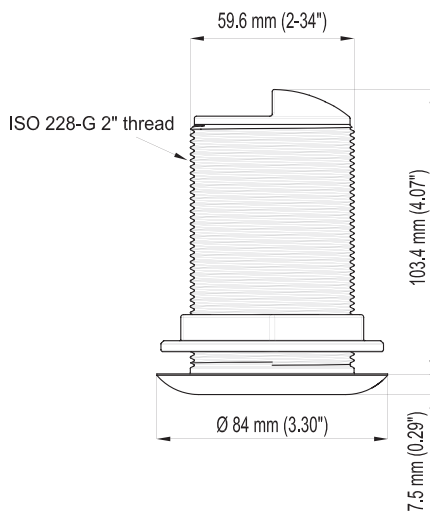
### MATERIAL

- Bronze or stainless steel

# High Frequency CHIRP Transducer

## BT70H600 / ST70H600

### TECHNICAL SPECIFICATIONS



Function	Depth and Temperature
Frequency	CHIRP 130 - 210 kHz
Mount type	Thru hull
Tilt/deadrise options	18° tilted version: for 16° to 24° hull deadrise 12° tilted version: for 8° to 15° hull deadrise 0° tilted version: for 0° to 7° hull deadrise
Material	Bronze (BT70H600) Stainless steel (ST70H600)
RMS Power	600 W
Beamwidth	17° to 11° @ 3db
Depth	Max 213 m (700 ft)
Temp. sensor	NTC
Acoustic window	Urethane
Weight	1540 g (54 oz)
Cable length	8 m (26 ft)
Hole diameter	62 mm (2.44")

F42H6ECAE010

Customization available on request.

#### Designed in USA, Made in ITALY

Echonautics is the result of a joint venture between an American company specialized in transducers design and an Italian manufacturer of marine electronics since 1985, born to offer a high-quality range of transducers ready to deliver to boat manufacturers worldwide.

#### SALES NORTH AMERICA

**AvMap Satellite Navigation Inc.**  
25 Enterprise Zone Drive,  
Riverhead, NY 11901, USA  
+1 800 363 2627  
orders@avmap.us

#### SALES EMEA, APAC

**AvMap s.r.l.**  
Viale Zaccagna 6,  
54033 Carrara (MS), ITALY  
+ 39 0585 772305  
orders@avmap.it