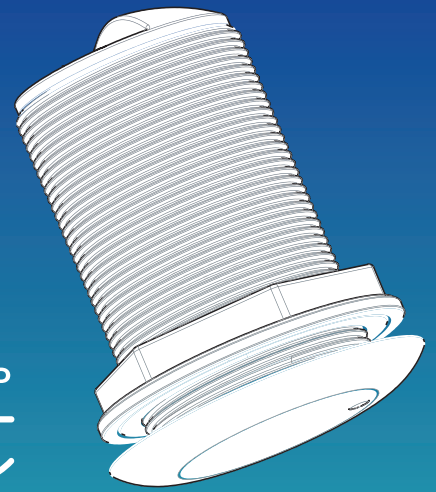


Low Frequency CHIRP Transducer

BT70L300 / ST70L300

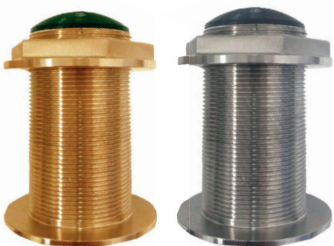
40-75 kHz 300 Watts



Good bottom coverage and fish tracking in deep water up to 366 m (1200 ft)

A low-profile thru hull CHIRP transducer, that matches vessels deadrise to specific angle.

This series of transducers is designed to **minimize drag** and to **perform at high speeds**.



Available in bronze* and stainless steel.

***Warning:** do not install bronze housing into metal hulls.

TRANSDUCER

- CHIRP

FREQUENCY

- 40 - 75 kHz
Low Frequency

BEAMWIDTH

- 47° to 35°

POWER

- 300 W

MOUNT

- Thru hull

MATERIAL

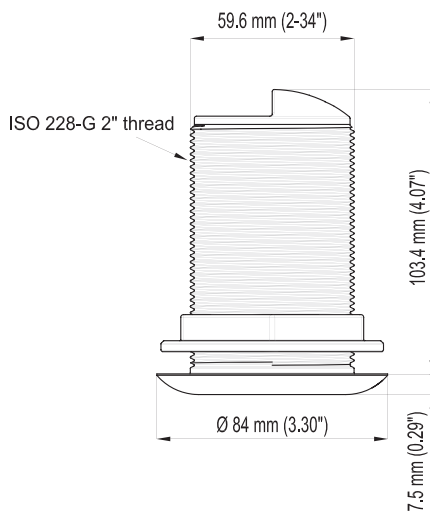
- Bronze or stainless steel

Low Frequency CHIRP Transducer

BT70L300 / ST70L300

TECHNICAL SPECIFICATIONS

Function	Depth and Temperature
Frequency	CHIRP 40 - 75 kHz
Mount type	Thru hull
Tilt/deadrise options	18° tilted version: for 16° to 24° hull deadrise 12° tilted version: for 8° to 15° hull deadrise 0° tilted version: for 0° to 7° hull deadrise
Material	Bronze (BT70L300) Stainless steel (ST70L300)
RMS Power	300 W
Beamwidth	47° to 35° @ 3db
Depth	Max 366 m (1200 ft)
Temp. sensor	NTC
Acoustic window	Urethane
Weight	1540 g (54 oz)
Cable length	8 m (26 ft)
Hole diameter	62 mm (2.44")



F4213ECCAE010

Customization available on request.

Designed in USA, Made in ITALY

Echonautics is the result of a joint venture between an American company specialized in transducers design and an Italian manufacturer of marine electronics since 1985, born to offer a high-quality range of transducers ready to deliver to boat manufacturers worldwide.

SALES NORTH AMERICA

AvMap Satellite Navigation Inc.
25 Enterprise Zone Drive,
Riverhead, NY 11901, USA
+1 800 363 2627
orders@avmap.us

SALES EMEA, APAC

AvMap s.r.l.
Viale Zaccagna 6,
54033 Carrara (MS), ITALY
+ 39 0585 772305
orders@avmap.it