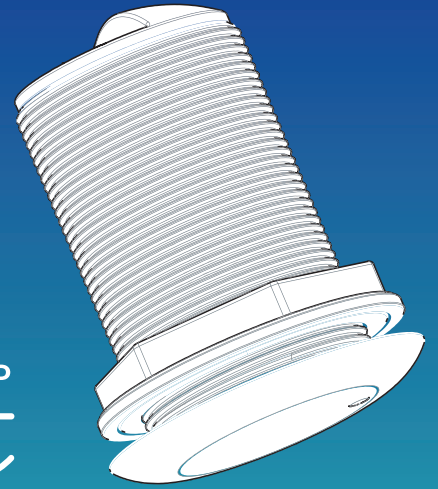


Medium Frequency CHIRP Transducer

BT70MB300 / ST70MB300

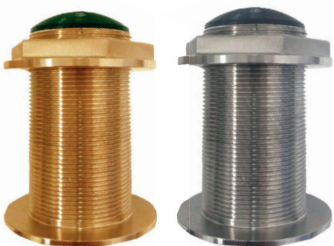
95-155 kHz 300 Watts



Great target resolution in shallow and medium depths down to 183 m (600 ft)

A low-profile thru hull CHIRP transducer, that matches vessels deadrise to specific angle.

This series of transducers is designed to **minimize drag** and to **perform at high speeds**.



Available in bronze*
and stainless steel.

***Warning:** do not install bronze housing into metal hulls.

TRANSDUCER

- CHIRP

FREQUENCY

- 95 - 155 kHz
Medium Frequency

BEAMWIDTH

- 23° to 17°

POWER

- 300 W

MOUNT

- Thru hull

MATERIAL

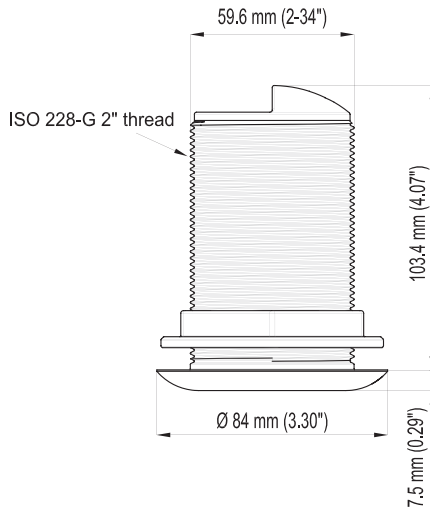
- Bronze or stainless steel

Medium Frequency CHIRP Transducer

BT70MB300 / ST70MB300

TECHNICAL SPECIFICATIONS

| | |
|-----------------------|--|
| Function | Depth and Temperature |
| Frequency | CHIRP 95 - 155 kHz |
| Mount type | Thru hull |
| Tilt/deadrise options | 18° tilted version: for 16° to 24° hull deadrise 12° tilted version: for 8° to 15° hull deadrise 0° tilted version: for 0° to 7° hull deadrise |
| Material | Bronze (BT70MB300) Stainless steel (ST70MB300) |
| RMS Power | 300 W |
| Beamwidth | 23° to 17° @ 3db |
| Depth | Max 183 m (600 ft) |
| Temp. sensor | NTC |
| Acoustic window | Urethane |
| Weight | 1540 g (54 oz) |
| Cable length | 8 m (26 ft) |
| Hole diameter | 62 mm (2.44") |



Customization available on request.

Designed in USA, Made in ITALY

Echonautics is the result of a joint venture between an American company specialized in transducers design and an Italian manufacturer of marine electronics since 1985, born to offer a high-quality range of transducers ready to deliver to boat manufacturers worldwide.

SALES NORTH AMERICA

AvMap Satellite Navigation Inc.
25 Enterprise Zone Drive,
Riverhead, NY 11901, USA
+1 800 363 2627
orders@avmap.us

SALES EMEA, APAC

AvMap s.r.l.
Viale Zaccagna 6,
54033 Carrara (MS), ITALY
+ 39 0585 772305
orders@avmap.it