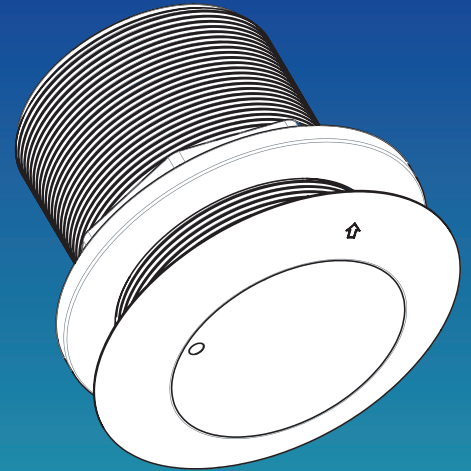


High Frequency CHIRP Transducer

BT87H1kW

130 – 210 kHz 1 kW



Superior shallow-water performance and bottom detail

The Echonautics BT87H1kW is a low-profile thru hull CHIRP transducer designed to minimize drag and to perform at high speeds.

Thanks to the narrow beamwidth, it is excellent for pinpointing fish holding tight to reefs, wrecks, and other structures.



***Warning:** do not install bronze housing into metal hulls.

TRANSDUCER

- CHIRP

FREQUENCY

- 130 – 210 kHz
High Frequency

BEAMWIDTH

- 13° to 8°

POWER

- 1 kW

MOUNT

- Thru hull

MATERIAL

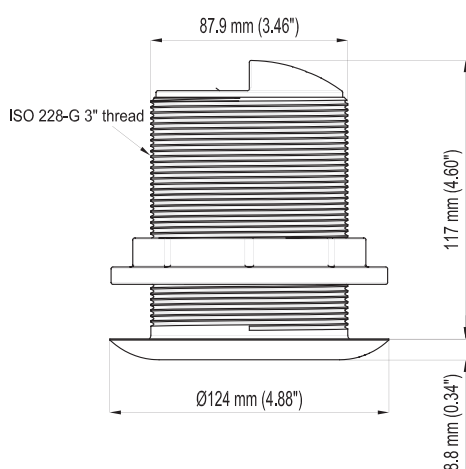
- Bronze

High Frequency CHIRP Transducer

BT87H1kW

TECHNICAL SPECIFICATIONS

Function	Depth and Temperature
Frequency	CHIRP 130 - 210 kHz
Mount type	Thru hull
Tilt/deadrise options	18° tilted version: for 16° to 24° hull deadrise 12° tilted version: for 8° to 15° hull deadrise 0° tilted version: for 0° to 7° hull deadrise
Material	Bronze
RMS Power	1 kW
Beamwidth	13° to 8° @-3db
Depth	Max 304 m (1,000 ft)
Temp. sensor	NTC
Acoustic window	Urethane
Weight	3540 g (125 oz)
Cable length	8 m (26 ft)
Hole diameter	90 mm (3.54")



F43H1EAE011

Customization available on request.

Designed in USA, Made in ITALY

Echonautics is the result of a joint venture between an American company specialized in transducers design and an Italian manufacturer of marine electronics since 1985, born to offer a high-quality range of transducers ready to deliver to boat manufacturers worldwide.

SALES NORTH AMERICA

AvMap Satellite Navigation Inc.
25 Enterprise Zone Drive,
Riverhead, NY 11901, USA
+1 800 363 2627
orders@avmap.us

SALES EMEA, APAC

AvMap s.r.l.
Viale Zaccagna 6,
54033 Carrara (MS), ITALY
+ 39 0585 772305
orders@avmap.it