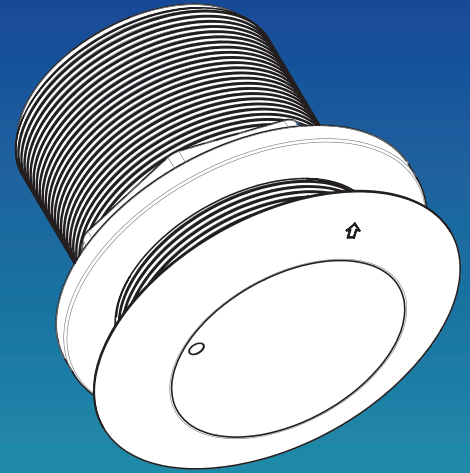


Medium Frequency CHIRP Transducer

BT87M1kW

85 - 135 kHz 1 kW



Excellent shallow to mid-depth performance and bottom detail

The Echonautics BT87M1kW is a low-profile thru hull CHIRP transducer designed to minimize drag and to perform at high speeds.

The perfect combination of extended depth range, great bottom details and accurate target separation to reveal fish at medium depths.



***Warning:** do not install bronze housing into metal hulls.

TRANSDUCER

- CHIRP

FREQUENCY

- 85 - 135 kHz
Medium Frequency

BEAMWIDTH

- 20° to 12°

POWER

- 1 kW

MOUNT

- Thru hull

MATERIAL

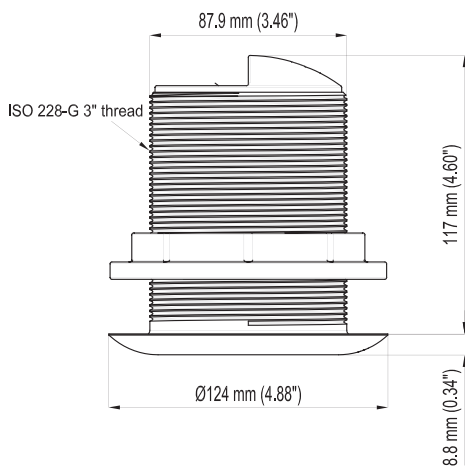
- Bronze

Medium Frequency CHIRP Transducer

BT87M1kW

TECHNICAL SPECIFICATIONS

Function	Depth and Temperature
Frequency	CHIRP 85 -135 kHz
Mount type	Thru hull
Tilt/deadrise options	18° tilted version: for 16° to 24° hull deadrise 12° tilted version: for 8° to 15° hull deadrise 0° tilted version: for 0° to 7° hull deadrise
Material	Bronze
RMS Power	1 kW
Beamwidth	20° to 12° @-3db
Depth	Max 457 m (1500 ft)
Temp. sensor	NTC
Acoustic window	Urethane
Weight	3540 g (125 oz)
Cable length	8 m (26 ft)
Hole diameter	90 mm (3.54")



F3MTECAE010

Customization available on request.

Designed in USA, Made in ITALY

Echonautics is the result of a joint venture between an American company specialized in transducers design and an Italian manufacturer of marine electronics since 1985, born to offer a high-quality range of transducers ready to deliver to boat manufacturers worldwide.

SALES NORTH AMERICA

AvMap Satellite Navigation Inc.
25 Enterprise Zone Drive,
Riverhead, NY 11901, USA
+1 800 363 2627
orders@avmap.us

SALES EMEA, APAC

AvMap s.r.l.
Viale Zaccagna 6,
54033 Carrara (MS), ITALY
+ 39 0585 772305
orders@avmap.it