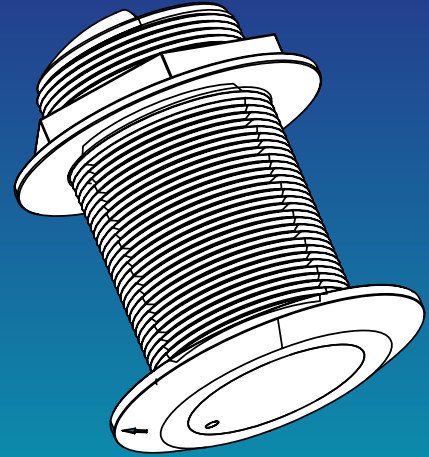


Dual Frequency CW Transducer

BT70D600CW / ST70D600CW

50 / 200 kHz 600 Watts



Get target detail in shallow water and good deep-water bottom tracking

A thru hull, low profile transducer that will match vessels deadrise to specific angle.

This series is designed to **minimize drag** and to **perform at high speeds**.

Available in bronze* and stainless steel.



***Warning:** do not install bronze housing into metal hulls.

TRANSDUCER

- Dual Frequency CW

FREQUENCY

- 50 - 200kHz

BEAMWIDTH

- 42° / 11°

POWER

- 600 W

MOUNT

- Thru hull

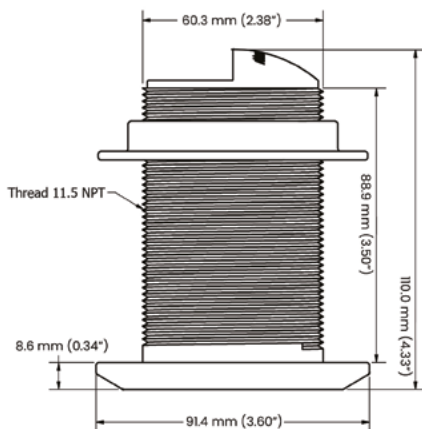
MATERIAL

- Bronze or stainless steel

Dual Frequency CW Transducer

ST70D600CW / BT70D600CW

TECHNICAL SPECIFICATIONS



Function	Depth and Temperature
Frequency	CW 50 / 200 kHz
Mount type	Thru hull
Tilt/deadrise options	18° tilted version: for 16° to 24° hull deadrise 12° tilted version: for 8° to 15° hull deadrise 0° tilted version: for 0° to 7° hull deadrise
Material	Bronze (BT70D600CW) Stainless steel (ST70D600CW)
RMS Power	600 W
Beamwidth	42° / 11° @ -3db
Depth	Max @50 kHz = 353 m (1,200 ft) Max @200 kHz = 206 m (700 ft)
Temp. sensor	NTC
Acoustic window	Urethane
Weight	1540 g (54 oz)
Cable length	8 m (27 ft)
Hole diameter	60.3 mm (2.38")

L4206ECAE010

Customization available on request.

Designed in USA, Made in ITALY

Echonautics is the result of a joint venture between an American company specialized in transducers design and an Italian manufacturer of marine electronics since 1985, born to offer a high-quality range of transducers ready to deliver to boat manufacturers worldwide.

SALES NORTH AMERICA

AvMap Satellite Navigation Inc. (TWS group)

25 Enterprise Zone Drive,
Riverhead, NY 11901, USA
+1 800 363 2627
orders@avmap.us

SALES EMEA, APAC

AvMap s.r.l. (TWS group)

Viale Zaccagna 6,
54033 Carrara (MS), ITALY
+ 39 0585 772305
orders@avmap.it