



N2K Digital Sensor

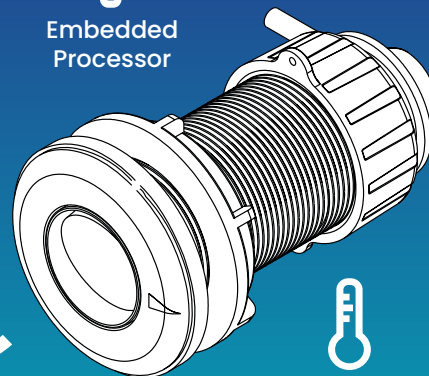
235 kHz high frequency

The essential data,
ready to deliver

Providing Temperature + Depth
processed data, ready to be displayed
on any NMEA 2000 device.



Embedded
Processor



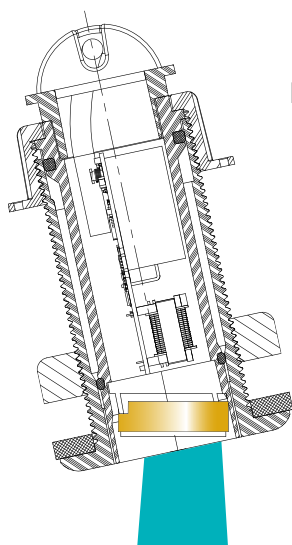
Depth



Temperature

Brain-equipped, fast and accurate

The Echonautics N2K Digital Sensor **embeds a processor** that enhances the signal coming from the sensors, to deliver **fast and accurate Depth and Temperature data** to NMEA 2000 compatible chartplotter and echosounders.



The clever alternative for boat builders

N2K Digital Sensor features a low-profile housing for smooth installation and accurate readings, even at high speeds. Just plug it to the NMEA2000 boat network and it is ready to go. This makes it a valid alternative on the market, ready to deliver.

- Depth & Temperature sensor
- 235 kHz frequency for high precision in shallow water up to 180 m (590 ft)
- 100 W RMS
- Thru hull 0° / 12° Tilt
- Retractable
- Low-profile
- NMEA 2000

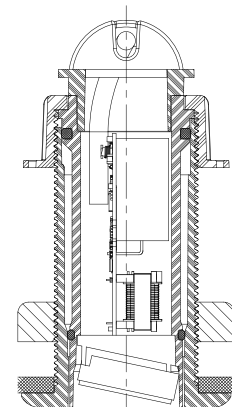
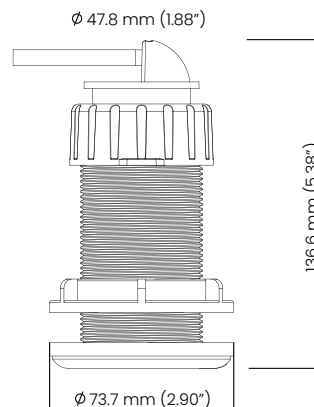
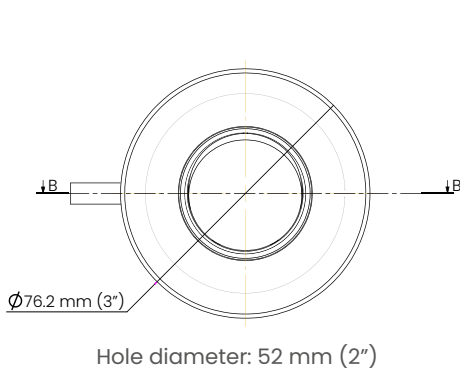
N2K Digital Sensor

TECHNICAL SPECIFICATIONS

Function	Depth & Temperature
Frequency	235 kHz
Mount type	Thru hull
Tilt / deadrise options	0° tilted version: for 0° to 7° hull deadrise 12° tilted version: for 8° to 15° hull deadrise
Material	Plastic
RMS power	100 W
Beamwidth	12° (@-3 dB)
Depth range	Min 0.5 m (1.6 ft) - Max 180 m (590 ft)
Communication	NMEA 2000 (NMEA 0183 version available on request)
Temp. sensor	NTC

Acoustic window	Polyurethane
Data update rate	1 per second
Pressure rating	3 m (10 ft)
Weight	800 g (14.2 oz)
Cable length	6 m (20 ft)
Hole diameter	52 mm (2")
Supply voltage	9 VDC to 16 VDC
Power supply	< 200 mA
Temp. accuracy	±0.5°C (±1.8°F)
Temp. sensor range	-10°C to 40°C (14°F to 104°F)
Operating temp. range	-10°C to 40°C (14°F to 104°F)

Customization available on request.



F44H0ECAE012

Designed in USA, Made in ITALY

Echonautics is the result of a joint venture between an American company specialized in transducers design and an Italian manufacturer of marine electronics since 1985, born to offer a high-quality range of transducers ready to deliver to boat manufacturers worldwide.

SALES NORTH AMERICA

AvMap Satellite Navigation Inc.
25 Enterprise Zone Drive,
Riverhead, NY 11901, USA
+1 800 363 2627
orders@avmap.us

SALES EMEA, APAC

AvMap s.r.l.
Viale Zaccagna 6,
54033 Carrara (MS), ITALY
+ 39 0585 772305
orders@avmap.it