

Cutting

- 10" 40T - 80T circular blade (Carbide)
- 12" 40T - 80T circular blade (Carbide)

For Mineral-Based Composite Decking:

- Use a sharp utility knife or jigsaw to finish cuts where a circular saw cannot fully complete cut. (Marking on the back side when needed.)
- Use a jigsaw to cut openings for protrusions. (8-12T per inch on the blade.)
- If necessary, use a large file or medium-grit sandpaper to clean cut edges.
- Use utility knife to cut any fibers or strands.

(In the rare event that a strand or fiber protrudes from the board, do not pull it.) If you are using a painted blade, you can remove the paint residue with medium grit sandpaper.

Fastener requirements

- Corrosion-resistant, galvanized or stainless steel fasteners
 - Reverse-thread composite screw
 - Minimum of 2-1/2" long screws
 - 1-1/4" minimum penetration into joist
- Set power driver such that screws are slightly counter sunk. Do not overdrive.
 - If using a hidden fastener system, use the manufacturer's recommended fastener and follow the manufacturer's instructions.

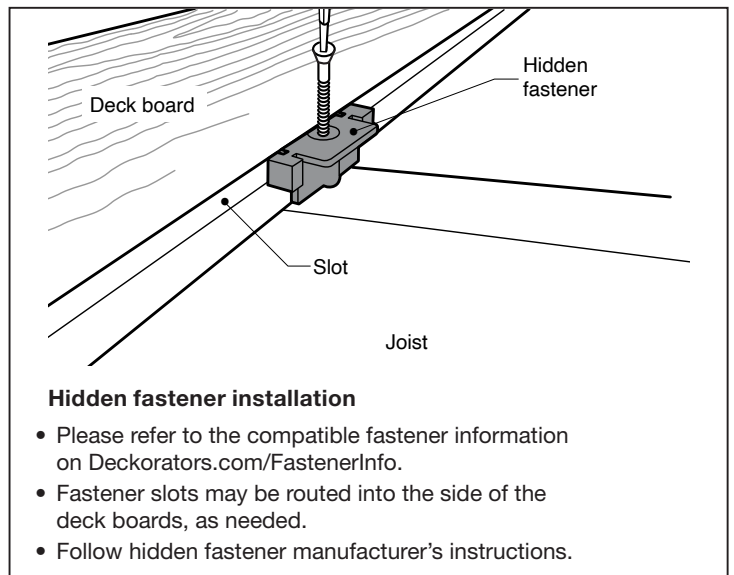
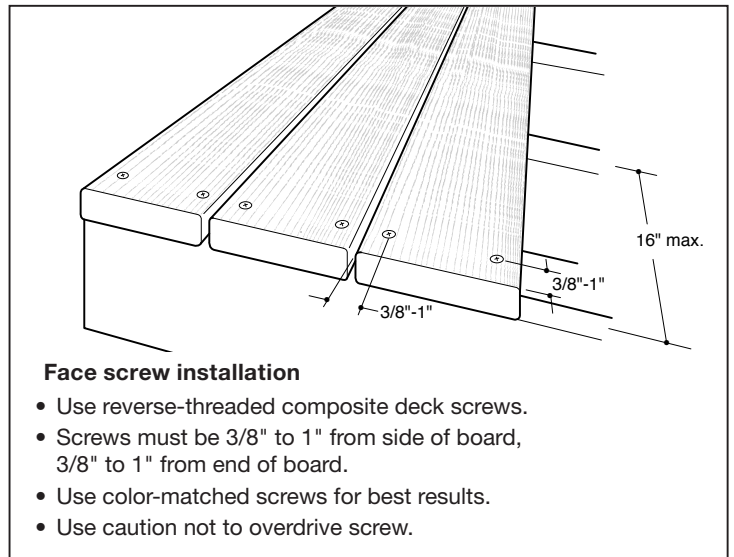
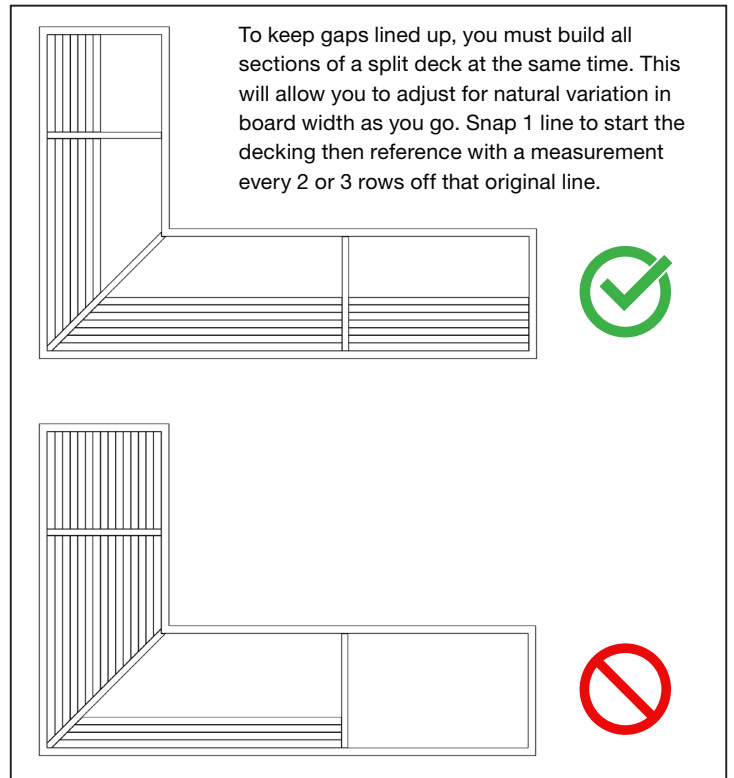
Installation

- Two fasteners per joist minimum.
 - Ends of each board must fall on a joist.
 - Double joist or use blocking where two board ends meet (fig.1).
 - 1" maximum cantilever.
 - Install entire deck at same temperature.
 - Install the deck boards starting from the outside edge of the platform and work toward anchor wall so that ripped pieces abut the wall. Start installing from one end of the board and work toward the other end of the board.
- OR:** Start installing from the center of the board and work out toward the ends of the board. Do not install by fastening each end first and working toward the middle. To keep the interior boards from moving over time, we recommend pinning the boards at the center of their length using a #8, 2" stainless steel screw. This holds the deck board in place at the center of each board and allows the decking to expand/contract at the ends. Pre-drill in the groove of the deck board with an 1/8" drill bit (fig. 2a). Drive screw into the groove so it's flush with the bottom of the groove (fig. 2b). This will allow you to properly fit a Stowaway hidden fastener into the groove.
- Continue installing deck boards, adhering to the gapping requirements. Ensure consistent appearance by aligning each plank so that the cathedrals of the emboss pattern point in the same direction.

NOTE: Cutting all ends of boards prior to installation recommended.

Stair installation

- Stairs must be constructed according to national and local building codes. Generally, building codes require 3' minimum wide treads and 11" minimum tread depth.
- 9" maximum center-to-center spacing of stringers is required.



- Stair treads should be fastened over a minimum of 5 stringers to meet code requirements.
- 1/2" maximum tread overhang over stringers.
- 1/8" minimum gap between stair-tread boards. Local building codes may require the gap to be increased to 1/4" - 3/8" in order to maintain the minimum tread depth.

Color variation

Like most composites, Deckorators Decking will have color variations from piece to piece. This is due to naturally occurring variations in polymers. Purchasing all required decking material at one time is recommended, as manufacturing runs can produce slightly different colors. Do not install if color variation is not acceptable.

Mold and mildew growth

Mold and mildew can be a nuisance on any exterior building surface, regardless of the material. If the conditions are right, they will grow on wood, plastic, concrete, metal, and other surfaces. Mold formation is most prevalent in consistently wet, shaded areas. Spores from the natural environment are carried by the wind and commonly land on decks surfaces. It is important to note that the appearance of mold/mildew is a function of nature, not necessarily a deficiency with any of the material on which it grows.

Cleaning

Periodic washing with soap/mild detergent and water will help remove surface dirt. This will also help prevent the buildup of pollen, debris and spores that can cause and accelerate mold/mildew growth.

Caution: A pressure washer must not be used to "blast" mold/mildew or soils from a deck surface. The abrasive nature of the water stream can potentially cause damage by driving the spores deeper into the material, which may create a more challenging problem to remedy. A pressure washer with a fan-tipped nozzle must only be used to lightly wet or rinse wood or composite deck surfaces.

There are many deck wash and exterior cleaning products available at retail. Only use cleaners intended for your application. Instructions provided by the manufacturer must be followed. Some cleaning products and inhibitors may be more effective than others, depending on the environmental conditions your deck is subjected to. Additionally, it is always a good idea to test the cleaner in a small, inconspicuous area prior to applying it to the entire deck (www.deckorators.com).

Tips for snow removal: Care should be taken when removing snow from your deck to avoid damaging the deck surface. Use a plastic snow shovel, one without a metal edge. A stiff push broom can work very well and minimizes lifting. Light snow can be cleared using a leaf blower. Do not attempt to break up or scrape ice from the deck surface; use ice melt products when needed. No concerns have been reported using ice melt products labeled "Safe for Pets".

Mold inhibitors

As with deck washes, there are several mold-inhibitor products available from paint stores, hardware stores, online outlets, and home centers to help prevent long-term mold/mildew growth. For any product selected, be certain to read, understand, and follow all instructions provided by the manufacturer. Depending upon the environmental factors affecting your deck, some preventive cleaning products may be more effective than others. It may be necessary to try more than one product. For ongoing preventive maintenance, follow the manufacturer's recommendation.

Note: Deckorators is not suitable for structural use. It must not be used for primary load-bearing members such as posts, joists, beams, or stringers. The same commonsense precautions should be taken when handling Deckorators as with wood or other building materials. Dust masks and eye protection devices are recommended to avoid possible irritation from sawdust and chips. Gloves will help protect hands. Hands should be washed after construction work.

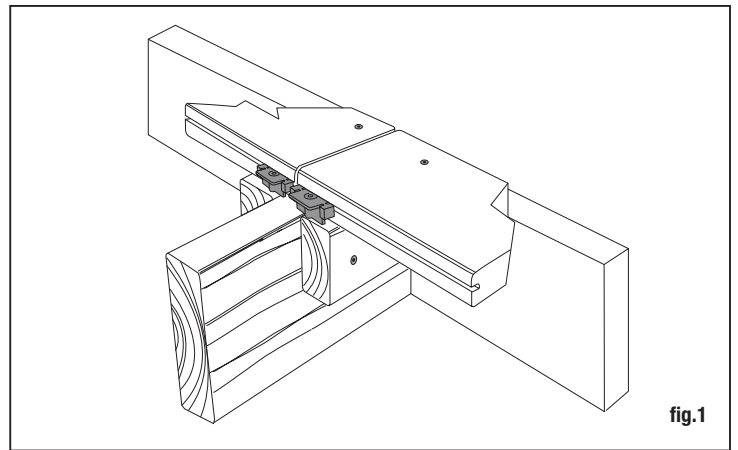


fig.1

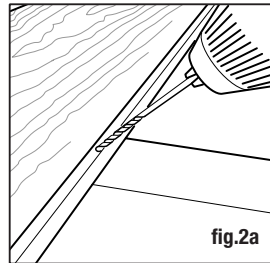


fig.2a

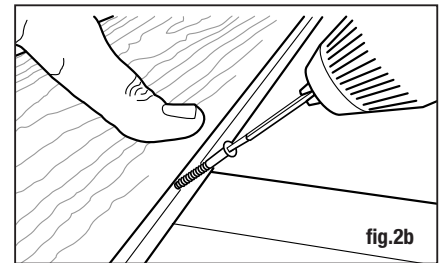
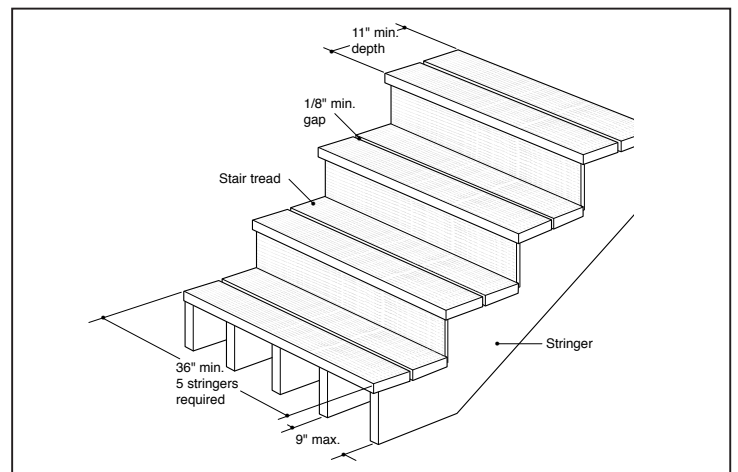


fig.2b



THE DIAGRAMS AND INSTRUCTIONS IN THIS BROCHURE ARE FOR ILLUSTRATION PURPOSES ONLY AND ARE NOT MEANT TO REPLACE A LICENSED PROFESSIONAL. ANY CONSTRUCTION OR USE OF THE PRODUCT MUST BE IN ACCORDANCE WITH ALL LOCAL ZONING AND/OR BUILDING CODES. THE CONSUMER ASSUMES ALL RISKS AND LIABILITY ASSOCIATED WITH THE CONSTRUCTION OR USE OF THIS PRODUCT. THE CONSUMER OR CONTRACTOR SHOULD TAKE ALL NECESSARY STEPS TO ENSURE THE SAFETY OF EVERYONE INVOLVED IN THE PROJECT, INCLUDING, BUT NOT LIMITED TO, WEARING THE APPROPRIATE SAFETY EQUIPMENT. UNIVERSAL FOREST PRODUCTS, INC., MAKES NO WARRANTY, EITHER EXPRESS OR IMPLIED, AND SHALL NOT BE LIABLE FOR ANY DAMAGES, INCLUDING CONSEQUENTIAL DAMAGES.