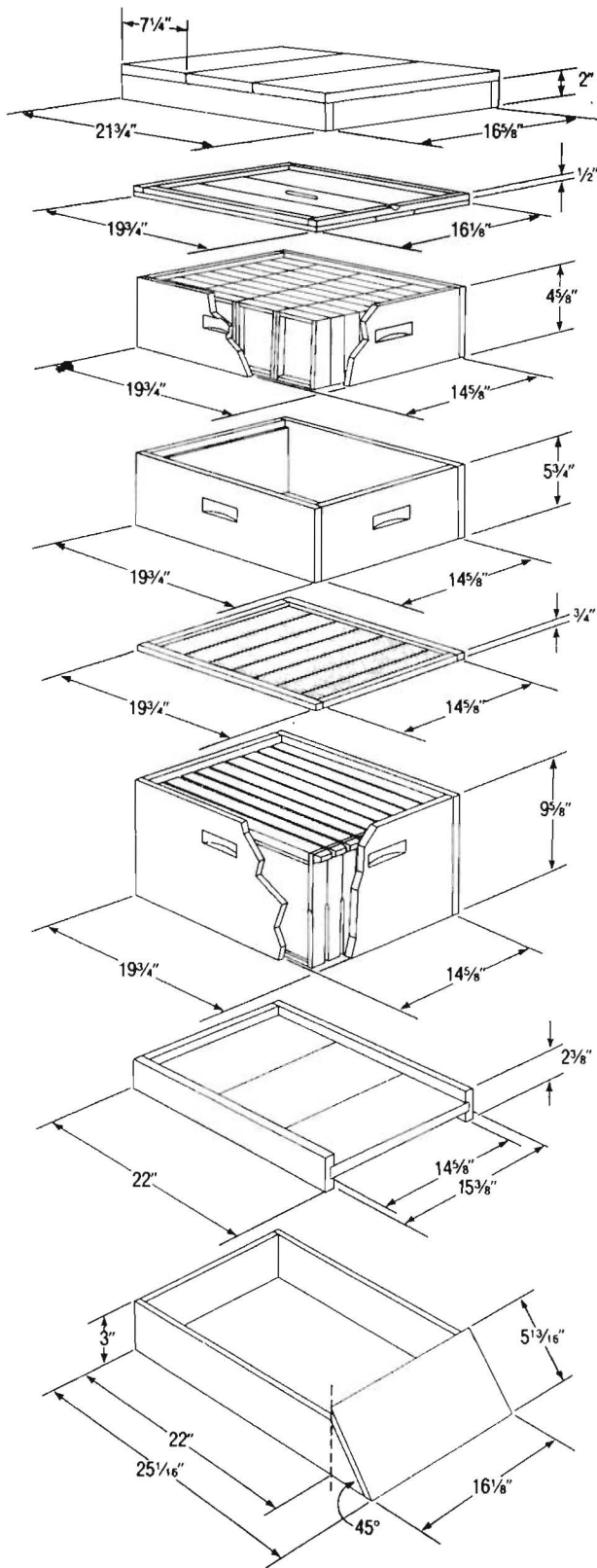


Figure 4. Equipment and dimensions for a standard Langstroth hive.



#### Outer Telescoping Cover

3 pieces  $7\frac{1}{4}'' \times \frac{3}{4}'' \times 18\frac{1}{8}''$  (top)  
 2 pieces  $21\frac{3}{4}'' \times \frac{3}{4}'' \times 2''$  (sides)  
 2 pieces  $16\frac{5}{8}'' \times \frac{3}{4}'' \times 2''$  (ends)

#### Inner Cover

2 pieces  $\frac{1}{2}'' \times \frac{3}{4}'' \times 16\frac{1}{8}''$   
 2 pieces  $\frac{1}{2}'' \times \frac{3}{4}'' \times 18\frac{1}{4}''$   
 2 pieces  $6'' \times \frac{3}{8}'' \times 19\frac{3}{4}''$   
 1 piece  $4\frac{1}{8}'' \times \frac{3}{8}'' \times 19\frac{3}{4}''$

#### Section Comb Super

2 pieces  $19\frac{3}{4}'' \times \frac{3}{4}'' \times 4\frac{5}{8}''$  (sides)  
 2 pieces  $14\frac{5}{8}'' \times \frac{3}{4}'' \times 4\frac{5}{8}''$  (ends)

#### Shallow Extracting Super

2 pieces  $19\frac{3}{4}'' \times \frac{3}{4}'' \times 5\frac{3}{4}''$  (sides)  
 2 pieces  $14\frac{5}{8}'' \times \frac{3}{4}'' \times 5\frac{3}{4}''$  (ends)

#### Queen Excluder

2 pieces  $19\frac{3}{4}'' \times \frac{3}{4}'' \times 5\frac{3}{4}''$  (sides)  
 2 pieces  $14\frac{5}{8}'' \times \frac{3}{4}'' \times 5\frac{3}{4}''$  (ends)

#### Full Depth Hive Body

2 pieces  $19\frac{3}{4}'' \times \frac{3}{4}'' \times 9\frac{5}{8}''$  (sides)  
 2 pieces  $14\frac{5}{8}'' \times \frac{3}{4}'' \times 9\frac{5}{8}''$  (ends)

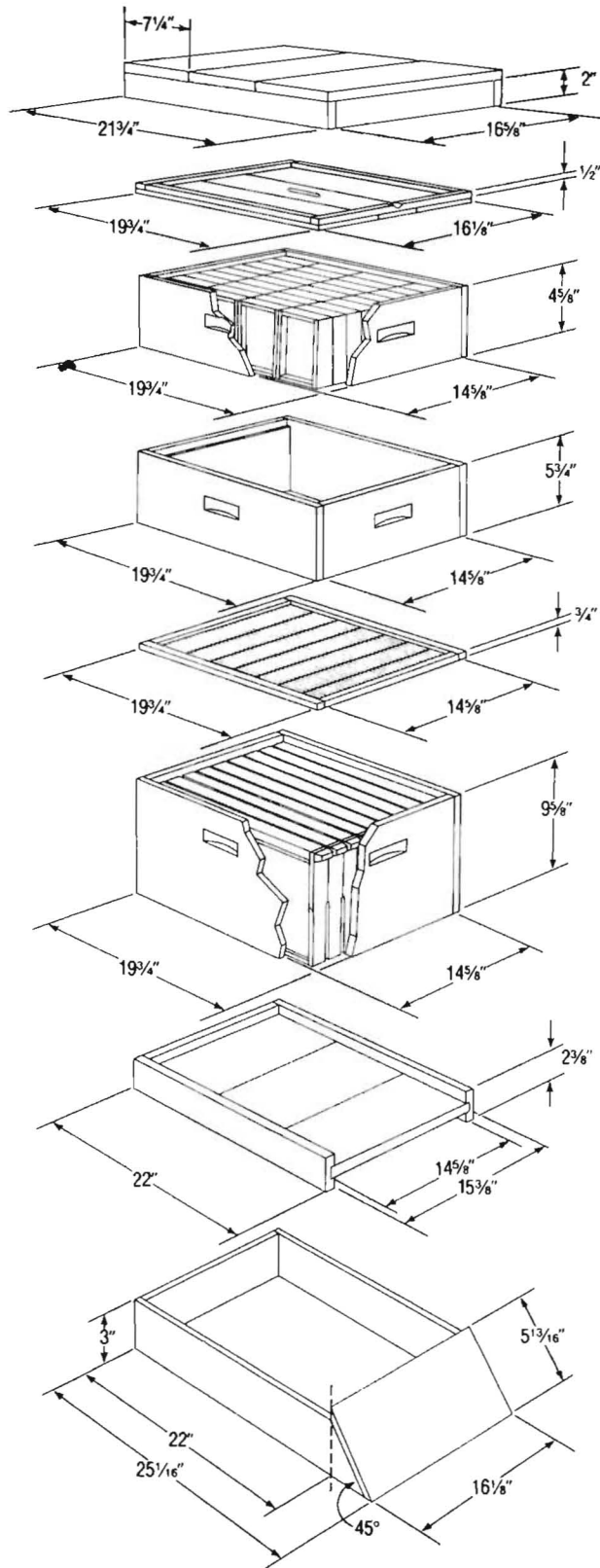
#### Bottom Board

3 pieces  $7\frac{1}{8}'' \times \frac{3}{4}'' \times 15\frac{3}{8}''$  (floor)  
 2 pieces  $2\frac{3}{8}'' \times \frac{3}{4}'' \times 22''$  (sides)  
 1 piece  $2\frac{3}{8}'' \times \frac{3}{4}'' \times 14\frac{5}{8}''$  (end)

#### Hive Stand

1 piece  $3'' \times \frac{3}{4}'' \times 14\frac{5}{8}''$  (back end)  
 2 pieces  $3'' \times \frac{3}{4}'' \times 25\frac{1}{16}''$  (sides)  
 1 piece  $5\frac{3}{16}'' \times \frac{3}{4}'' \times 16\frac{1}{8}''$  (front end)

Figure 4. Equipment and dimensions for a standard Langstroth hive.



#### Outer Telescoping Cover

3 pieces  $7\frac{1}{4}'' \times \frac{3}{4}'' \times 18\frac{1}{8}''$  (top)  
2 pieces  $21\frac{3}{4}'' \times \frac{3}{4}'' \times 2''$  (sides)  
2 pieces  $16\frac{5}{8}'' \times \frac{3}{4}'' \times 2''$  (ends)

#### Inner Cover

2 pieces  $\frac{1}{2}'' \times \frac{3}{4}'' \times 16\frac{1}{8}''$   
2 pieces  $\frac{1}{2}'' \times \frac{3}{4}'' \times 18\frac{1}{4}''$   
2 pieces  $6'' \times \frac{3}{8}'' \times 19\frac{3}{4}''$   
1 piece  $4\frac{1}{8}'' \times \frac{3}{8}'' \times 19\frac{3}{4}''$

#### Section Comb Super

2 pieces  $19\frac{3}{4}'' \times \frac{3}{4}'' \times 4\frac{5}{8}''$  (sides)  
2 pieces  $14\frac{5}{8}'' \times \frac{3}{4}'' \times 4\frac{5}{8}''$  (ends)

#### Shallow Extracting Super

2 pieces  $19\frac{3}{4}'' \times \frac{3}{4}'' \times 5\frac{3}{4}''$  (sides)  
2 pieces  $14\frac{5}{8}'' \times \frac{3}{4}'' \times 5\frac{3}{4}''$  (ends)

#### Queen Excluder

2 pieces  $19\frac{3}{4}'' \times \frac{3}{4}'' \times 5\frac{3}{4}''$  (sides)  
2 pieces  $14\frac{5}{8}'' \times \frac{3}{4}'' \times 5\frac{3}{4}''$  (ends)

#### Full Depth Hive Body

2 pieces  $19\frac{3}{4}'' \times \frac{3}{4}'' \times 9\frac{5}{8}''$  (sides)  
2 pieces  $14\frac{5}{8}'' \times \frac{3}{4}'' \times 9\frac{5}{8}''$  (ends)

#### Bottom Board

3 pieces  $7\frac{1}{8}'' \times \frac{3}{4}'' \times 15\frac{3}{8}''$  (floor)  
2 pieces  $2\frac{3}{8}'' \times \frac{3}{4}'' \times 22''$  (sides)  
1 piece  $2\frac{3}{8}'' \times \frac{3}{4}'' \times 14\frac{5}{8}''$  (end)

#### Hive Stand

1 piece  $3'' \times \frac{3}{4}'' \times 14\frac{5}{8}''$  (back end)  
2 pieces  $3'' \times \frac{3}{4}'' \times 25\frac{1}{16}''$  (sides)  
1 piece  $5\frac{3}{16}'' \times \frac{3}{4}'' \times 16\frac{1}{8}''$  (front end)