

OIL-FIRED WATER BOILER

STARFIRE SFH SERIES 5



UP TO 87% AFUE EFFICIENCY

The **Starfire SFH Oil-Fired Water Boiler** features a dependable cast iron heat exchanger and a HydroLevel High Limit and Circulator Relay Control with LWCO.

■ **Exceptional Heat Exchanger Design:**

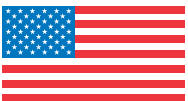
Features a dependable cast iron heat exchanger with cast iron push nipple connections. The sections and push nipples expand at the same rate when heated. By using similar materials instead of less expensive gaskets or steel push nipples, the boiler maintains a water tight seal.

■ **Hydrolevel Operating Control:**

- Features digital display and diagnostics
- Adjusts the water temperature based on your heating system demand which further reduces your heating costs
- Built-in low water cut-off (LWCO) to protect the boiler from potentially dangerous low water conditions

SFH FEATURES

- 5 Sizes are available:
 - 119, 140, 175, 224, 259 MBH Input (CH)
- Optional Tankless Domestic Hot Water Heater Coil
- 20 Year Non-prorated Limited Warranty (Residential)
- Built by American Craftsmen Since 1928



RATINGS

MODEL	AHRI CERTIFIED RATINGS					DIMENSIONS							
	Firing Rate GPH	Input MBH ⁽¹⁾	Heating Capacity MBH ⁽¹⁾⁽³⁾	Net AHRI Water MBH ⁽²⁾	Efficiency AFUE%	Chimney Size	Flue Size	Water Content Gallons	-A- Width	-B- Height	-C- Depth	Weight Lbs.	Tankless Capacity GPM ⁽⁴⁾
SFH-3085W(T)	0.85	119	103	90	86%	8"x8"x15'	6"	10.5	21-13/16"	35"	17-7/8"	534	3
SFH-4100W(T)	1.00	140	124	108	87%	8"x8"x15'	6"	13.5	21-13/16"	35"	21-1/2"	668	3.25
SFH-4125W(T)	1.25	175	152	132	86%	8"x8"x15'	6"	13.5	21-13/16"	35"	21-1/2"	668	3.75
SFH-5160W(T)	1.60	224	195	170	86%	8"x8"x15'	7"	16.5	21-13/16"	35"	25-1/8"	781	4
SFH-6185W(T)	1.85	259	226	197	86%	8"x8"x15'	8"	19.5	21-13/16"	35"	29-1/2"	901	4.25

(T) Tankless Coil Models

CONNECTIONS

Water Supply	2" NPT
Water Return	1-1/2" NPT
Oil Line	3/8" O.D. Copper Tubing for runs 50' or less 1/2" O.D. Copper Tubing for runs over 50'

ELECTRICAL

120 V ac, 60 hertz, 1 phase, less than 12 amps
(15 amp circuit recommended)

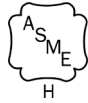
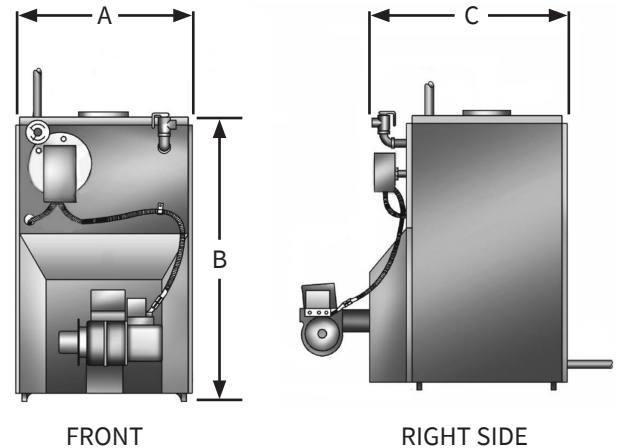
STANDARD EQUIPMENT

Boiler Control: Hydrolevel Fuel Smart Hydrostat Control - combination Low Water Cut Off with boiler temperature reset and circulator control.
Heat Exchanger: Cast Iron Heat Exchanger with Cast Iron Push Nipples. Swing out burner door.
Combustion: Oil burner, target wall/liner.
Electrical: Wiring Harness, Burner Electrical Disconnect.
Other: Crated Boiler, Flush Jacket; Circulator 1-1/4", Temperature Pressure Gauge, Safety Relief Valve, Drain Valve.

OPTIONS

Burners: Beckett, Carlin, Riello; Pumps: Taco, Grundfos, Less Pump;
Tankless Coil

- (1) Oil burner input based on 140,000 Btu/gal.
- (2) Net AHRI Water Ratings shown are based on a piping and pickup allowance of 1.15. Consult manufacturer before selecting boiler for installations having unusual piping and pickup requirements, such as intermittent system operation, extensive piping.
- (3) Heating Capacity and AFUE based on 13.1% CO₂ with -0.02" WC draft over fire and #1 smoke or less. Tested in accordance with U.S. Department of Energy test procedure.
- (4) Capacity GPM applies to (T) models with a tankless coil.



ECR International, Inc. 2201 Dwyer Avenue, Utica, NY 13501
Tel. 800 253 7900
www.ecrinternational.com



All specifications subject to change without notice.
©2020 ECR International, Inc.
PN 240009798 Rev. [12/17/20]