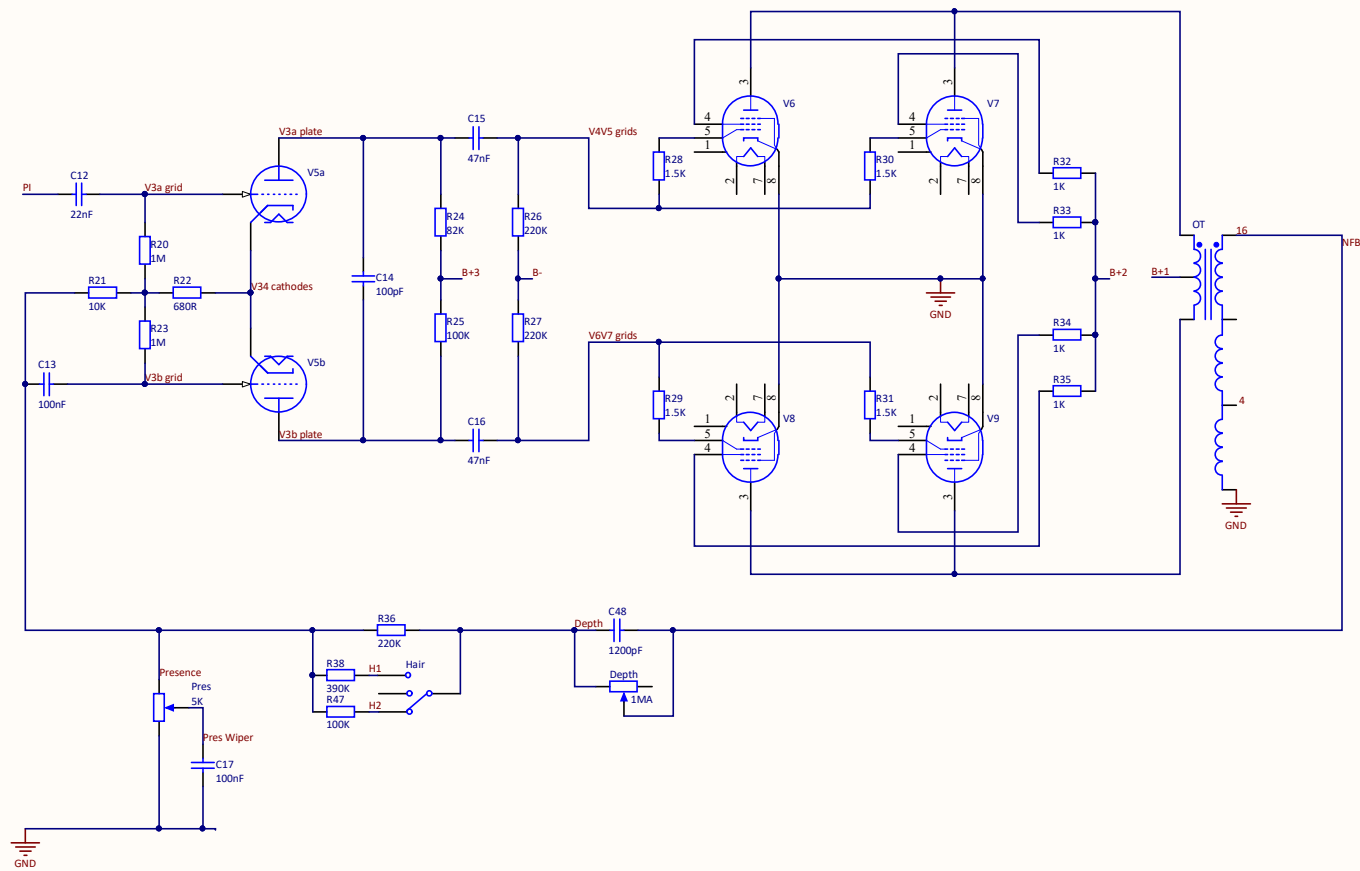
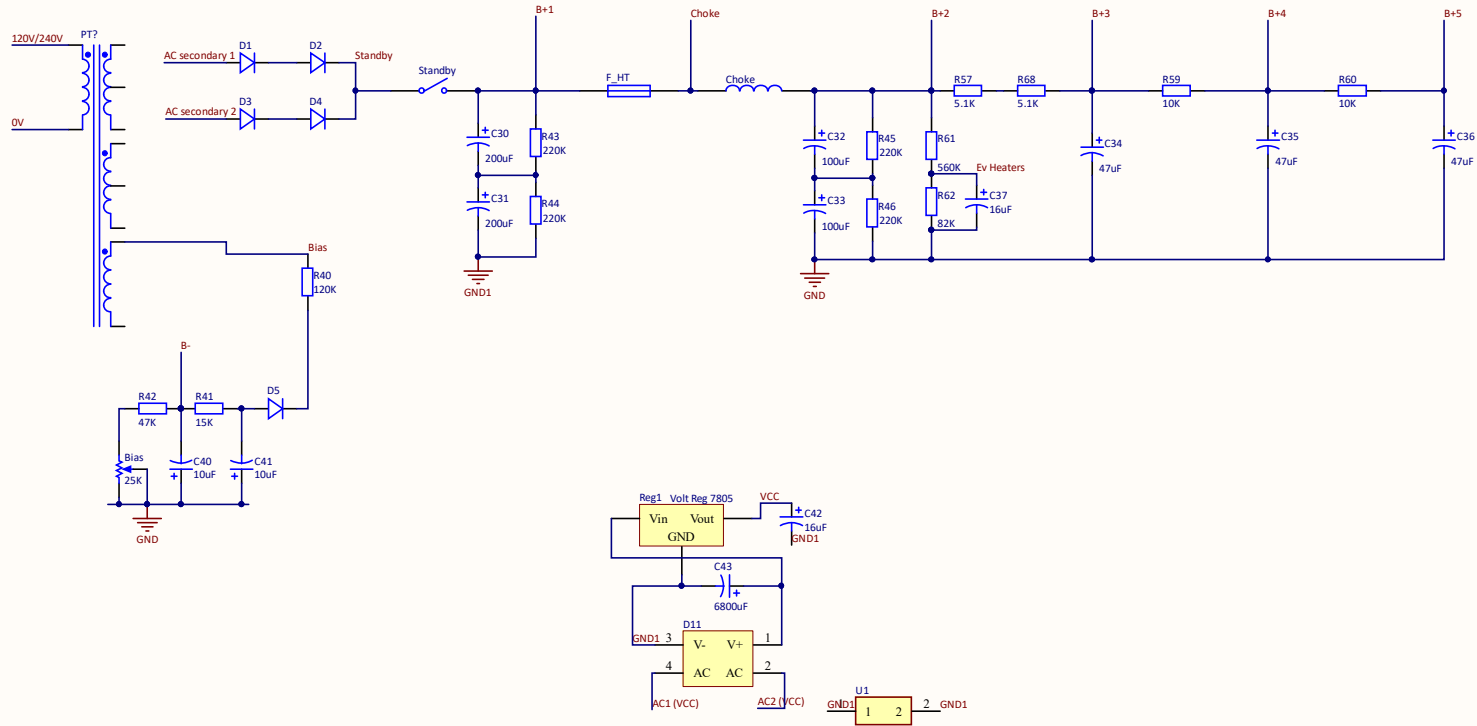


NFB: 2200pF /1Ma depth
 16 ohm tap
 5k 0.1uF pres
 44nF couplers (2 x 22nF)
 Hair: 220k base. then switch in 390k, 100k
 Jose: CF -> 100k to gnd, 10k, 0.33uF coupler.
 Masters wired as per CCV pre
 MPSA06 and 20v Zener
 100pF fizz cap PI
 post LND150 loop master 250KA

Title		
Size A3	Number	Revision
Date: 16/08/2020	Sheet of	
File: C:\Users\...HF Cali single Sheet1.SchDoc Drawn By:		



Title		
Size	Number	Revision
A3		
Date:	16/08/2020	Sheet of
File:	C:\Users\...HF Call Single Sheet1.1.Sch.D	Drawn By:



Title		
Size A3	Number	Revision
Date: 16/08/2020	Sheet of	
File: C:\Users\...HF Call Single Sheet2.SchDdcDrawn By:		

