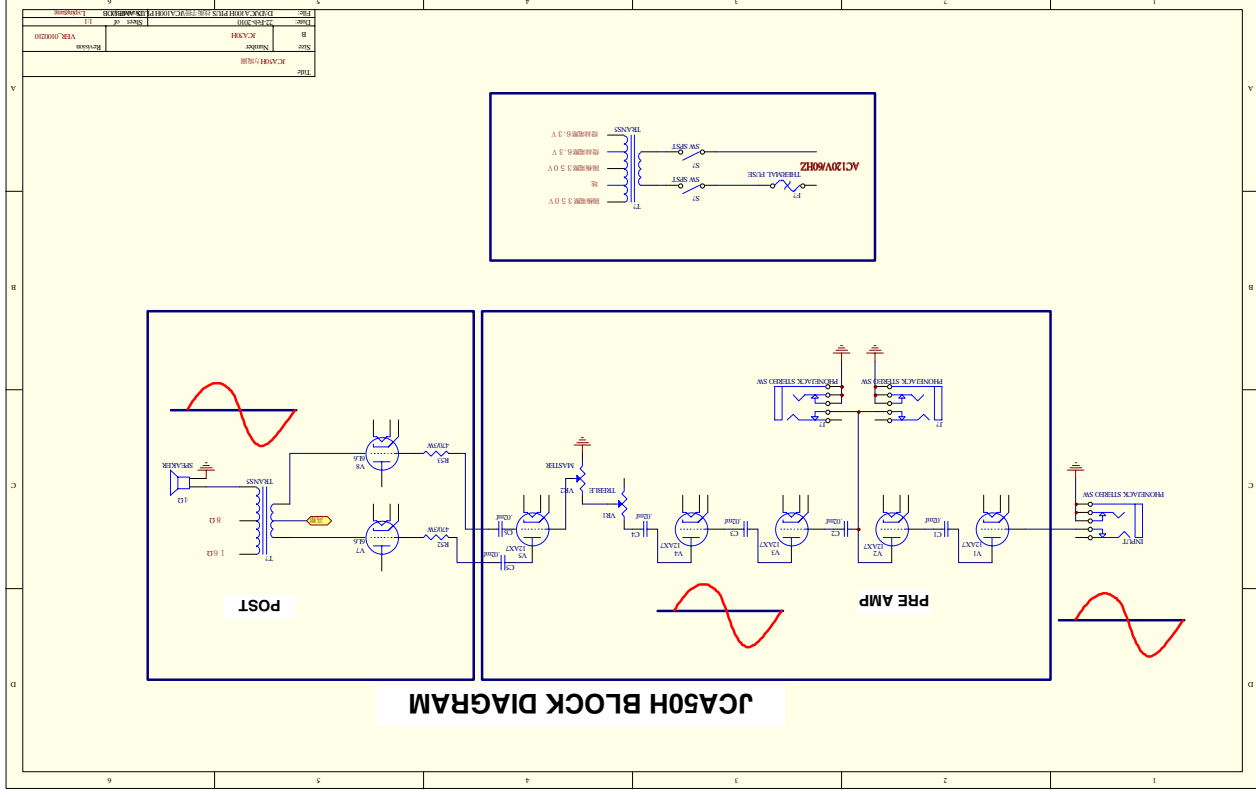
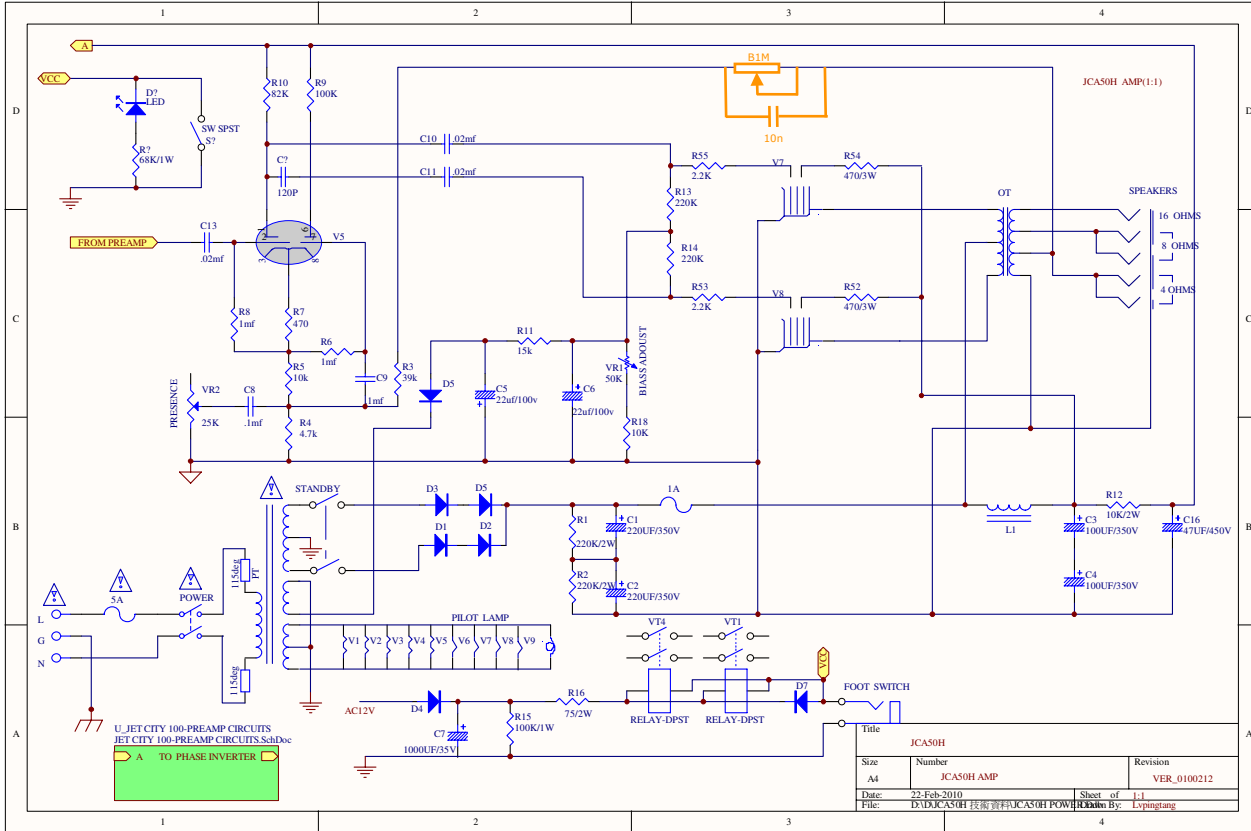


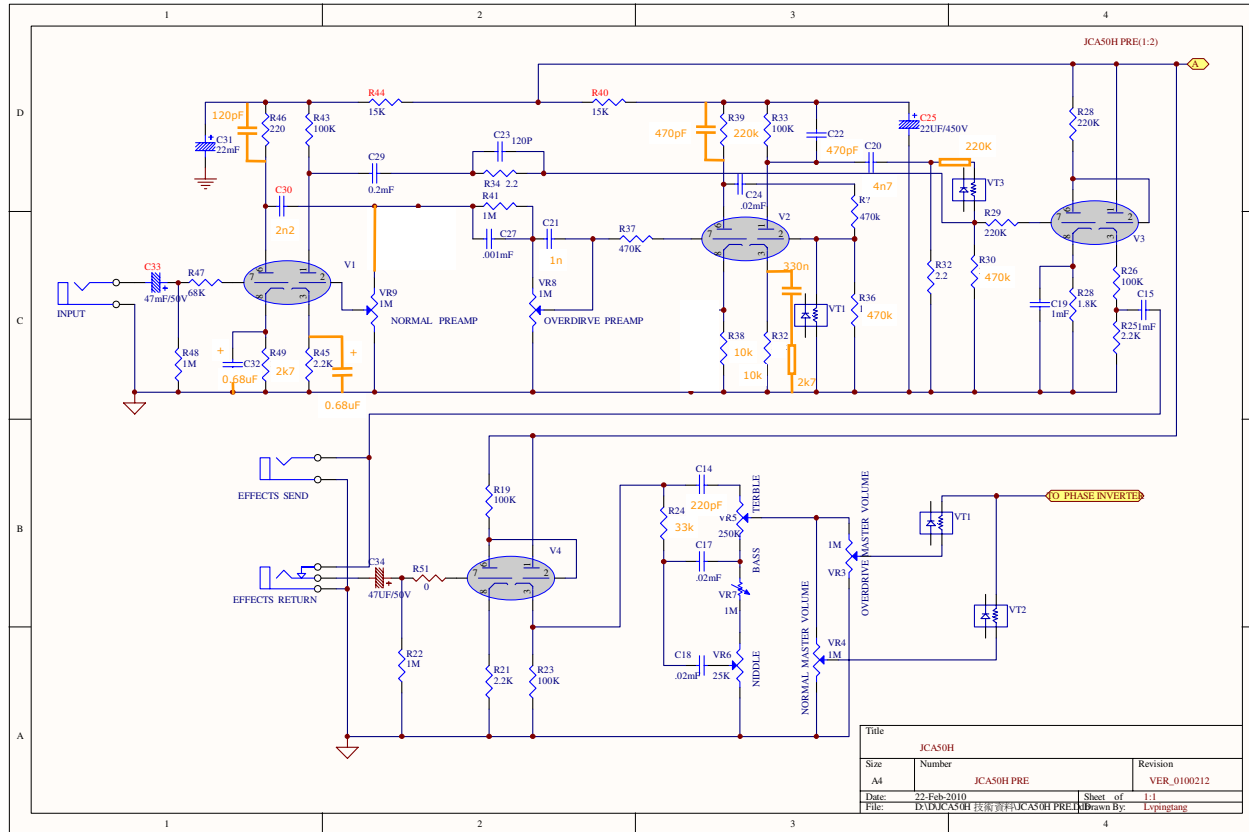
JCA50H Schematic – Includes Bias Settings

2. Block Diagram



3. Schematic Diagram





Title: JCA50H		
Size: A4	Number: JCA50H PRE	Revision: VER_0100212
Date: 22-Feb-2010	Sheet of: 1/1	
File: D:\JCA50H 技術資料\JCA50H PRE(1:2)	Drawn By: Lyptngang	