

# MONSOON



Irrigators Australia Pty Ltd

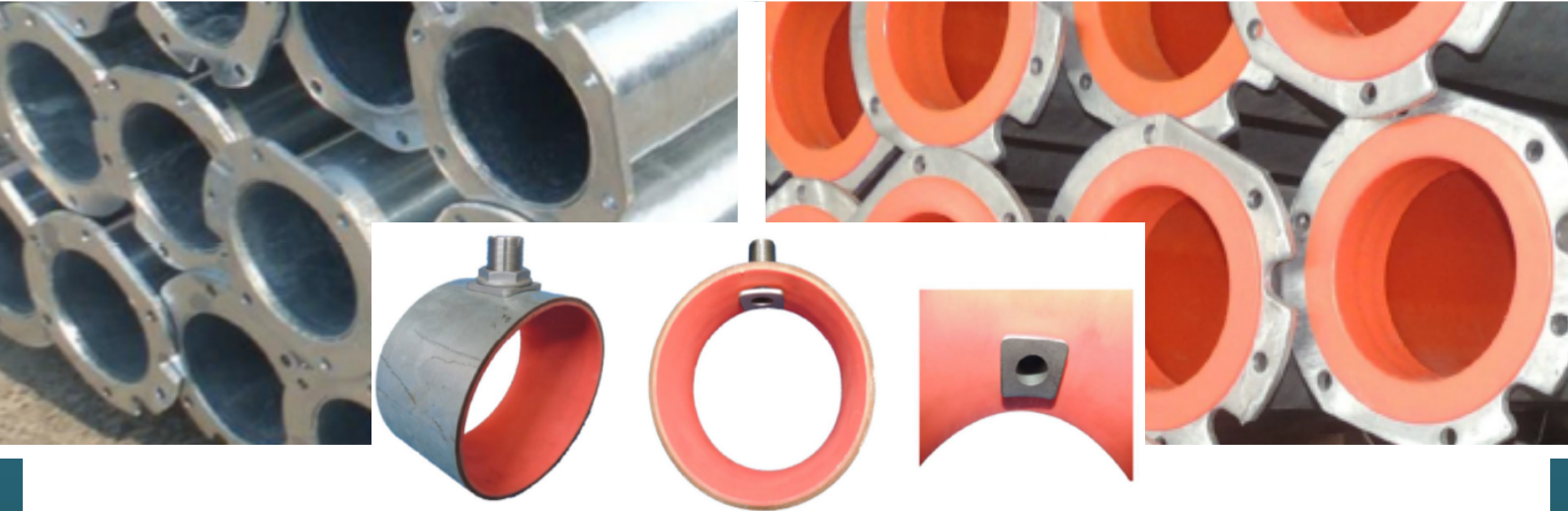
# TYPHOON PIVOT IRRIGATOR



# MONSOON

## Irrigators Australia Pty Ltd

TYPHOON PIVOTS ARE MADE OF DURABLE HOT DIPPED GALVANISED PIPE AND GALVANISED POLY LINED PIPE.



### Collector Ring

Made up of stationary brass rings with contact brushes that rotate around them making it possible to supply continuous power and signal voltage to the motors.

- 13 Conductor Collector Ring standard
- 1" Female Fitting
- Grease Nipple to stop seizing



### Tower Box

Two independent run circuits with corresponding electric micro switches for each drive.



### Komet Twin Max End Gun

Nozzle Range - 12 Nozzles Ø 10.0" - 24mm  
Ø 10.39" - 0.94"



### Centre Drive Motor

Designed to be the best in the business the Gear Motors single bolt junction box cover makes installation and Maintenance easier.

- Internally vented junction box protects motor lead connections from moisture.
- Seal savers on output to protect oil seals.



### Wheel Drive Gearbox

Designed to support longer spans, larger wheels, and heavier towers, making better capability for tougher conditions.

- Larger input bearings and reinforced housing.
- High strength cast iron bolt on end caps.
- Top oil fill provision.
- 740-U has a 501 worm gear ratio, the standard gear ratio for most systems.



### Pivot Sprinklers

- Sprinkler or spray nozzle packages for optimal Pivot performance

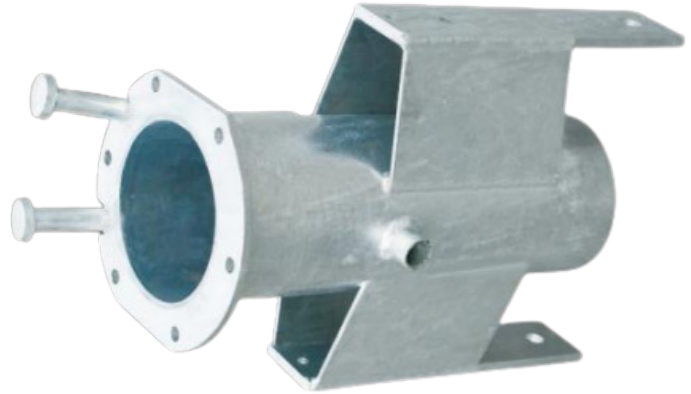
SPECIFICALLY DESIGNED TO DISTRIBUTE WATER EVENLY, TYPHOON PIVOT IRRIGATORS ENSURE EFFICIENT USE OF WATER RESOURCES.



## Coupling

Rubber Boots ensure a watertight connection while the split coupling protects the boot from perishing.

- Flexible Joint makes easy adaption for varied terrain.



## Pivot End Connector

Heavy Duty End connector  
Options available -

- Galvanised
- Poly Lined
- Stainless Steel

LABOUR REDUCING EASE OF USE .  
AVAILABLE OPTIONS FOR ALL TERRAIN.

## Tyres and Rims

Wheel options-

Standard 14.9 x 24, 16.9 x 2, 11.2 x 38, 23.1 x 2.

18 Ply Diamond - NP Trax -14.9 x 24

- Superior structure for rugged long lasting performance.
- upgraded tracking improves traction and decreases wheel rutting.
- Durability and flexibility adapts to terrain and paddock conditions.
- Tread design minimises soil distribution and improves cleanout.



## Control Panel

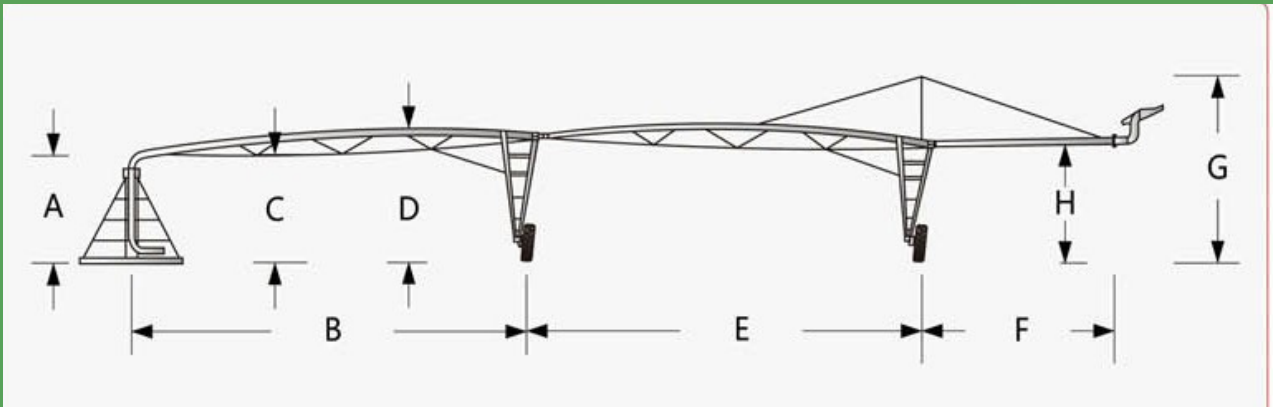
With a user friendly interface Monsoons Control Panel is designed for hassle free function.

- Durable enclosure is water and humidity proof.
- LED screen for easier operation.
- Connectivity available.



# MONSOON

## Irrigators Australia Pty Ltd



PIPE SIZE	SPAN LENGTH	A	B	C	D	E	Overhang Length	F	G	H
10" - 254MM	41.15M	4.01M	41.37M	2.79M	4.32M	41.15M	11' - 3.35M	4.27M	5.33M	3.48M
8" - 203MM	41.15M	3.91M	41.7M	2.92M	4.45M	41.20M	22' - 6.71M	7.62M	5.33M	3.48M
8" - 203MM	47.85M	3.91M	48.16M	3.00M	4.52M	47.85M	33' - 10.06M	10.97M	5.33M	3.48M
8" - 203MM	54.56M	3.91M	54.91M	2.90M	4.52M	54.53M	44' - 13.41M	14.32M	5.33M	3.48M
6 5/8" - 168MM	41.15M	3.91M	34.57M	2.95M	4.52M	41.15M	55' - 16.76M	17.68M	6.70M	
6 5/8" - 168MM	47.85M	3.91M	48.18M	3.02M	4.62M	47.88M	66' - 20.12M	21.03M	6.70M	
6 5/8" - 168MM	54.56M	3.91M	54.91M	2.90M	4.52M	54.53M	88' 26.82M	27.73M	6.70M	
6 5/8" - 168MM	61.26M	3.91M	61.34M	3.07M	4.60M	61.01M				
5 9/16" - 141MM	54.56M	3.91M	54.86M	2.90M	4.52M	54.56M				
5 9/16" - 141MM	47.85M	3.91M	48.16M	2.97M	4.60M	48.01M				

SPAN	1	2	3	4	5	6	7	OVERHANG	END GUN
LENGTH	61.34M	122.34M	183.34M	244.34M	305.34M	366.34M	427.34M	454.14M	484.14M
AREA HA	1.18HA	4.47HA	10.55HA	18.7HA	29.27HA	42.14HA	57.34HA	64.76HA	73.60HA
FLOW REQUIRED 9mm PER DAY	4m <sup>3</sup> /HR	18m <sup>3</sup> /HR	40m <sup>3</sup> /HR	70m <sup>3</sup> /HR	110m <sup>3</sup> /HR	158m <sup>3</sup> /HR	215m <sup>3</sup> /HR	242m <sup>3</sup> /HR	276m <sup>3</sup> /HR

Customer Support, Technical Service & Sales  
 EMAIL : [sales@monsoonirrigators.com.au](mailto:sales@monsoonirrigators.com.au) Phone : 0266 5252 64

