

Technical sheet

MLA-T 533-145 V+

Articulated loaders



| Capacities | Metric | Imperial |
|---|---|---|
| Static tipping load with forks (straight) | 4978 kg | 10974 lbs |
| Static tipping load with forks (full turn) | 4147 kg | 9142 lbs |
| Max. payload with forks as per EN 474-3 (80%) | 3300 kg | 7275 lbs |
| h3 - Max. lifting height (below forks) | 5.20 m | 17 ft |
| Max. outreach | 3.30 m | 10 ft 10 in |
| Reach at max. height | 1.20 m | 3 ft 11 in |
| Breakout force with bucket | 6730 daN | 15129 lbf |
| Weight and dimensions | | |
| Unladen weight (with forks) with cab | 8430 kg | 18584 lbs |
| m4 - Ground clearance | 0.39 m | 1 ft 3 in |
| l2 - Overall length to carriage (with hitch) | 5.72 m | 18 ft 9 in |
| y - Wheelbase | 2.50 m | 8 ft 2 in |
| b1 - Overall width (over tyres) | 2.29 m | 7 ft 6 in |
| h17 - Overall height with cab | 2.70 m | 8 ft 10 in |
| a4 - Crowd angle | 9 ° | 9 ° |
| a5 - Dump angle | 156 ° | 156 ° |
| wa1 - External turning radius (over tyres) | 4.20 m | 13 ft 9 in |
| Articulation angle | 44 ° | 44 ° |
| Standard tyres | 460/70 R24 159A8 A580 - Alliance | 460/70 R24 159A8 A580 - Alliance |
| Performances | | |
| Lifting | - / 6 s | - / 6 s |
| Lowering | - / 5.10 s | - / 5.10 s |
| Extension | - / 3.80 s | - / 3.80 s |
| Retraction | - / 2.40 s | - / 2.40 s |
| Crowd | 3.50 s | 3.50 s |
| Dump | 2.70 s | 2.70 s |
| Engine | | |
| Brand | Deutz | Deutz |
| Environmental norm | Stage IV / Tier 4 Final | Stage IV / Tier 4 Final |
| Model | TCD 4.1 L4 | TCD 4.1 L4 |
| Number of cylinders - Cubic capacity | 4 - 4038 cm ³ | 4 - 246.41 in ³ |
| Power | 143 hp / 105 kW | 143 hp / 105 kW |
| Max. torque | 550 Nm at 1600 rpm | 405.65 ft.lbs at 1600 rpm |
| Transmission | | |
| Type | M-Vario Plus (Continuous Variable Transmission) | M-Vario Plus (Continuous Variable Transmission) |
| Max. travel speed | 40 km/h | 24.85 mph |
| Differential lock | Limited slip differential on front axle | Limited slip differential on front axle |
| Parking brake | Manual parking brake | Manual parking brake |
| Hydraulics | | |
| Hydraulic pump type | Load sensing pump | Load sensing pump |
| Hydraulic flow - Pressure | 158 l/min - 270 bar | 41.73 gpm - 3916.02 psi |
| Tank capacities | | |
| Hydraulic oil | 150 l | 39.62 US gal. |
| Fuel | 150 l | 39.62 US gal. |
| Diesel Exhaust fluid (AdBlue® type) | 10 l | 2.64 US gal. |
| Noise & vibration | | |
| Noise at driving position (LpA) | 72 dB(A) | 72 dB(A) |
| Environmental noise (LwA) | 107 dB(A) | 107 dB(A) |
| Vibration to whole hand / arm | 2.5 m/s ² | 8.2 ft/s ² |
| Miscellaneous | | |
| Safety | Tractor homologation Cab ROPS - FOPS Level 2 | Tractor homologation Cab ROPS - FOPS Level 2 |

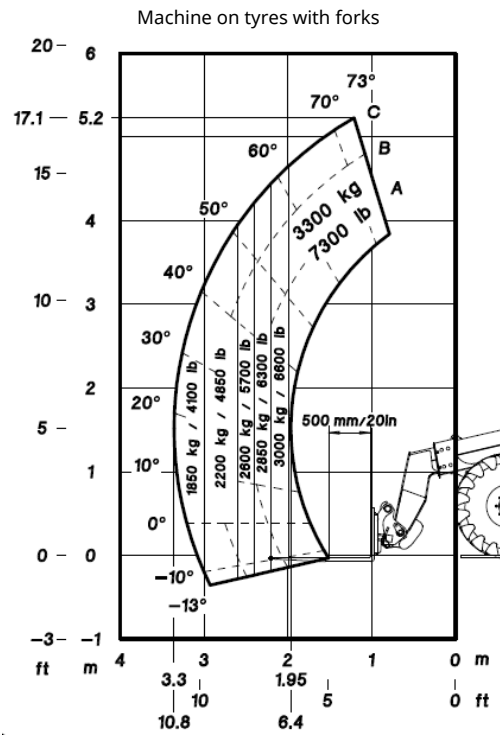
Tyre options

| Optional tires | Overall machine height | Overall machine width |
|-------------------------------------|------------------------|-----------------------|
| Michelin - 460/70 R24 159A8 XMCL | 2.70 m | 2.29 m |
| Michelin - 500/70 R24 164A8 XMCL | 2.74 m | 2.36 m |
| Michelin - 460/70 R24 159A8 Bibload | 2.70 m | 2.29 m |
| Michelin - 500/70 R24 164A8 Bibload | 2.74 m | 2.36 m |

Options / Finishing

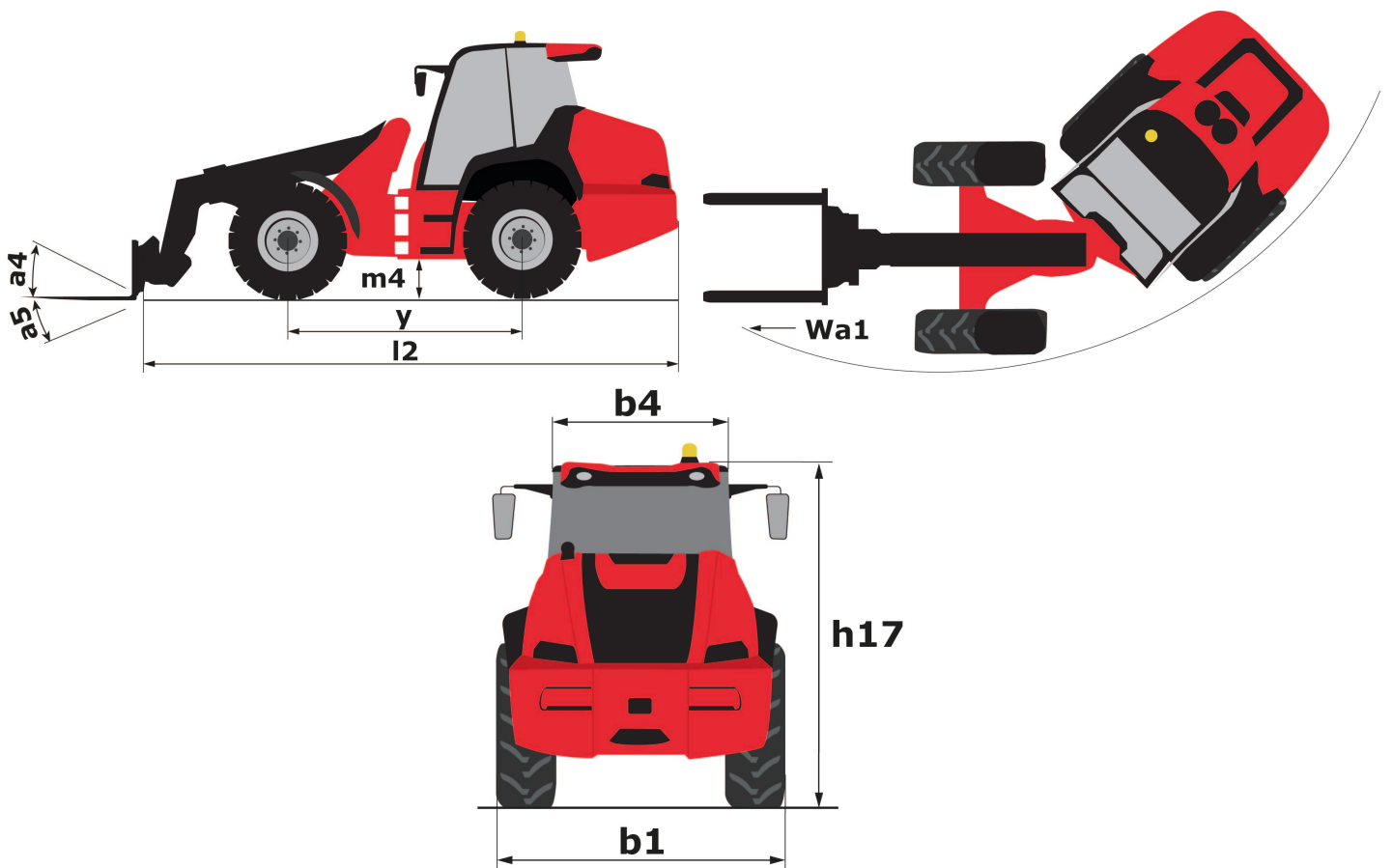
S : Standard / O : Optional / - : Not available

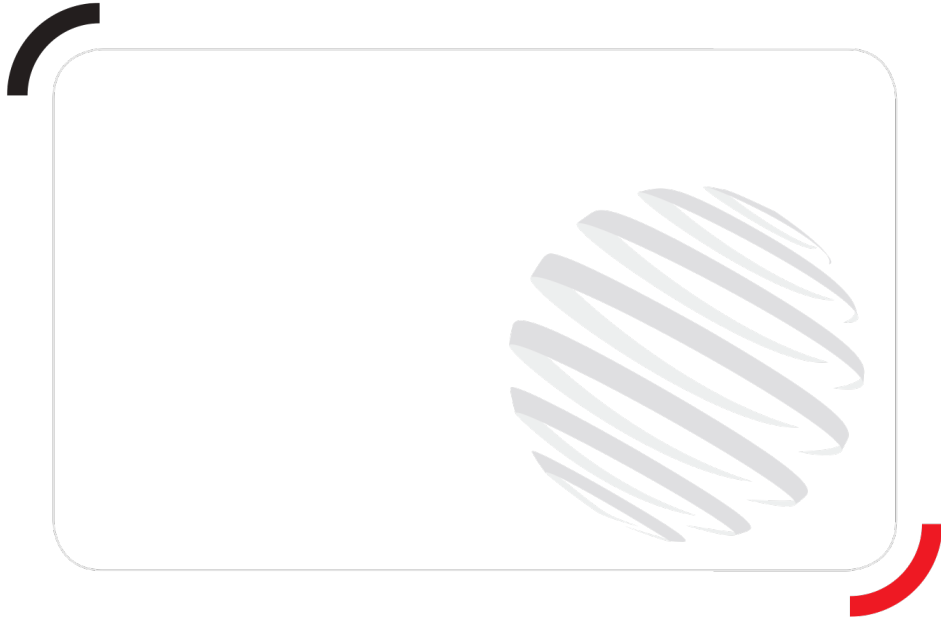
| | Classic | Premium | Elite |
|--|---------|---------|-------|
| General | | | |
| Self cleaning air prefilter | S | S | S |
| Hand throttle | S | S | S |
| Speed control | S | S | S |
| Comfort | | | |
| Mechanical cloth-covered seat (Grammer) | S | - | - |
| Air suspension cloth-covered seat (GRAMMER) | O | S | - |
| Low frequency air suspension cloth-covered seat (GRAMMER) | O | O | S |
| Low frequency air suspension cloth-covered seat with heating (GRAMMER) | O | O | O |
| Air conditioning with automatic adjustment | O | S | S |
| "Active CRC" boom suspension | O | O | S |
| Tuner car radio (50 W) | S | - | - |
| Bluetooth car radio with integrated microphone (100 W) | O | S | - |
| Bluetooth car radio with extra microphone (100 W) | O | O | S |
| Adjustable steering column | S | S | S |
| Floor mat | S | S | S |
| Hydraulic | | | |
| Attachment hydraulic locking | O | O | O |
| Easy Connect System (ECS) | S | S | S |
| Continuous flow hydraulics | O | O | S |
| Intelligent Hydraulics | O | O | S |
| Regenerative Hydraulics | O | S | S |
| Attachment hydraulic line | S | S | S |
| Electricity / Safety | | | |
| Complete road lighting | S | S | S |
| Rotating beacon light | S | S | S |
| Front and rear work lights on cab (x4: 2 front + 2 rear) | S | - | - |
| Front and rear LED work lights on cab (x4 : 2 front + 2 rear) | O | S | S |
| Electric mirror with de-icing | O | O | S |



Load chart compliant with EN 474-3 (80%)

Dimensional drawing





Siège Social
430 rue de l'Aubinière - 44150 Ancenis Cedex - France
Tel: +33(0)2 40 09 10 11 - Fax: +33 (0)2 40 09 10 97
www.manitou.com



This brochure describes versions and configuration options for Manitou products which may be fitted with different equipment. The equipment described in this brochure may be standard, optional or not available depending on version. Manitou reserves the right to change the specifications shown and described at any time and without prior warning. The manufacturer is not liable for the specifications given. For more information, contact your Manitou dealer. Non-contractual document. Product descriptions may differ from actual products. List of specifications is not comprehensive. The logos and visual identity of the company are the property of Manitou and may not be used without authorisation. All rights reserved. The photos and diagrams contained in this brochure are provided for information only.

MANITOU BF SA - Limited company with board of directors - Share capital: 39,547,824 euros - 857 802 508 RCS Nantes