

THANK YOU FOR YOUR PURCHASE!

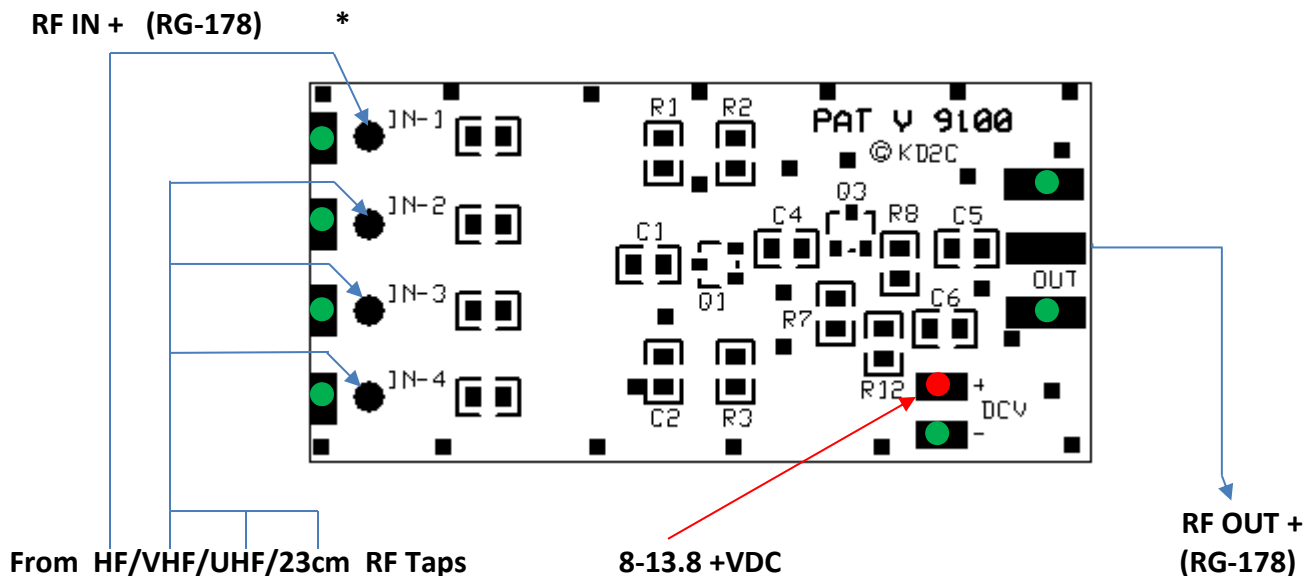
IMPORTANT: Installing the PAT board is not for beginners. If you don't feel comfortable doing it yourself, have it installed by someone who is. You install the PAT board entirely at your own risk.

Disclaimer

To install this board, you need to open up your radio and make connections to the signal path and power supplies. You also need to either install a connector or route a cable out through the rear panel. This may invalidate any warranty on your radio, and no liability is accepted by the seller for any damage caused while installing or operating this product in your rig. Similarly, the seller accepts no responsibility for the methods or workmanship shown in any installation posted to help you.

Basic Installation

The PAT board needs a minimum of three connections to operate, RF Input, RF Output and DC Power.



● Common Ground Points for Coax Ground and (-) Power

*Use "IN-1" for HF Connection

RF Input - Connect only the center conductor of the coax at the RF tap point. The shielding should be connected to a common ground point ● on the PAT Board side only.

If your RF output coax is grounded to the chassis at the output connector and grounded at the PAT board, there is no need to connect the negative power wire to the board.

Use the installation instructions for the IC-9100. All RF taps are located on the top of the circuit boards and are accessible without the need to remove any of the boards. Double sided tape can be used to mount the board within the radio as close to the tap points as possible.

The RF output cable can be routed to the back panel of your radio and connected to an output jack. A hole will need to be drilled in the back panel. SMA, RCA and BNC jacks have all been used successfully, it's your choice. Be very careful as you do not want to damage your radio!

If installing an output jack to the back panel isn't feasible, the RF output cable can be routed through an existing small hole or vent opening to form a (pigtail). A jack can then be added externally.

Once your installation is complete, connect the new RF output from the radio to your SDR. Turn on the radio and tune to an active frequency. Adjust the SDR to your RF frequency. You should now see a panoramic view of your radio.

You may have to adjust your SDR software to set the bandwidth and features you want to see.

That's it you're done, enjoy!

73 and good DX

Dave

KD2C