

# UHMW Poly Capped Bolts A Better Choice for Fastening Material

At Pride Solutions, we take great pride in manufacturing poly capped bolts to your specification. All of our poly capped bolts are manufactured by overmolding Ultra High Molecular Weight Polyethylene (UHMW-PE) directly to the bolt right here in our production facility in Hutchinson, Minnesota. The entire bolt head is covered with UHMW, greatly reducing the possibility of detachment, unlike snap-on caps which can easily detach. Every bolt is inspected for quality assurance.

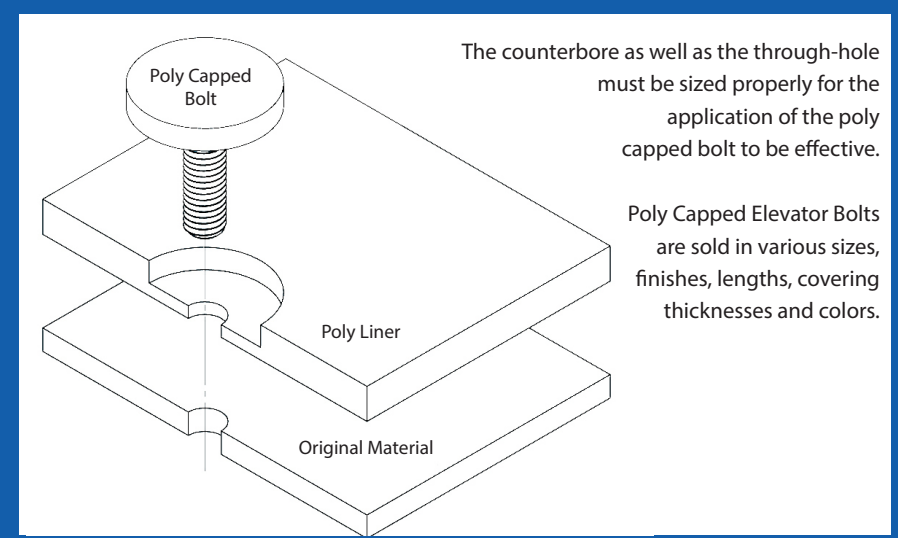
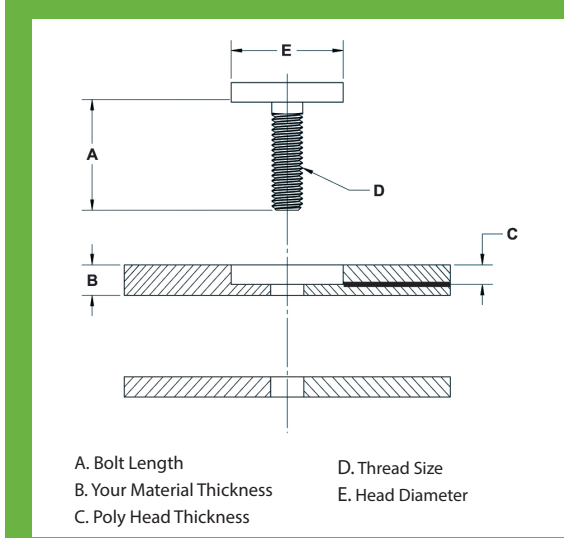


## Ideal for High Friction and Wear or High Velocity Applications

Our poly capped bolts are an excellent solution for applications where there is excessive friction and wear or high velocity. They excel at protecting steel, aluminum and wood surfaces. Our bolts can also be used to fasten poly surfaces to achieve a 100% poly surface.



## How to Order



## General Information

**ELEVATOR BOLT THREAD SIZES:** 1/4", 5/16" and 3/8"

### APPLICATIONS:

#### Plain Bolts:

Steel or "carbon steel" is the most common and most economical bolt material. It is not corrosion resistant. Typically used in indoor applications.

#### Zinc Bolts:

Typically a low carbon steel coated in zinc, relatively inexpensive. Provides moderate corrosion resistance. Suitable for indoor and outdoor applications.

#### Stainless Steel Bolts:

Good corrosion resistance; suitable for outdoor and marine applications. Call for pricing.

**LENGTHS:** 1", 1 1/4", 1 1/2", 1 3/4" and 2"

**HEAD THICKNESSES:** .14, .24, .34, .44, .52 and .74

### POLY HEAD COLORS:

Poly capped bolts are available in a wide range of colors upon request. Common colors are Black, White, Natural, Silver, Red, Yellow, Green, Blue and Orange. Please inquire about our custom colors.

### MINIMUM ORDER:

\$150 minimum order per bolt dimension

### PRODUCTION NOTES:

Due to production processing, Pride Engineered Plastics reserves the right to ship +10% of order quantity. Orders greater than 1,000 bolts, +1% of order.



### The Original Poly People

Pride Solutions offers far more than poly capped bolts. Our contract manufacturing services include compression molding and over-molding, custom plastic fabrication - cutting/shearing/bending/punching, CNC routing and lathe, plastic forming - line bending, and thermoforming. We also offer In-house CNC metal turning for manufacturing clients who require over-molded metal parts. In addition, we offer custom electro-mechanical assembly services as well as competitively priced plastic sheet goods, plastic shaft and bar stock. We work with many polymers, specializing in UHMW-PE. Please visit our website to learn more.

www.pridesolutions.us | 320-587-0760 | info@pridesolutions.com | Fax: 320-587-6112  
120 Eastgate Drive S.E., Hutchinson MN 55350

Prices subject to change.



THE ORIGINAL POLY PEOPLE

# POLY CAPPED BOLTS



## UHMW Poly

- Ideal for high friction and high velocity applications
- Protect steel, aluminum, wood and other surfaces
- Use with poly surfaces to achieve 100% poly surface

ORDER TODAY: 320-587-0760 | www.pridesolutions.us | info@pridesolutions.com



## Elevator Bolts - 1/4"–20 with 1.182" Head Diameter

Part No.	Bolt Length	Your Material	Head Thickness	Plain (Ea.)	Zinc (Ea.)
77000008	1"	1/4"	.140	\$ 1.73	\$ 1.92
77000014	1 1/4"	1/4"	.140	\$ 1.74	\$ 1.93
77000020	1 1/2"	1/4"	.140	\$ 1.75	\$ 1.94
77000026	1 3/4"	1/4"	.140	\$ 1.76	\$ 1.95
77000032	2"	1/4"	.140	\$ 1.77	\$ 1.96

Part No.	Bolt Length	Your Material	Head Thickness	Plain (Ea.)	Zinc (Ea.)
77000009	1"	3/8"	.240	\$ 1.74	\$ 1.93
77000015	1 1/4"	3/8"	.240	\$ 1.75	\$ 1.95
77000021	1 1/2"	3/8"	.240	\$ 1.76	\$ 1.96
77000027	1 3/4"	3/8"	.240	\$ 1.77	\$ 1.98
77000033	2"	3/8"	.240	\$ 1.79	\$ 2.00

Part No.	Bolt Length	Your Material	Head Thickness	Plain (Ea.)	Zinc (Ea.)
77000010	1"	1/2"	.340	\$ 1.53	\$ 2.00
77000016	1 1/4"	1/2"	.340	\$ 1.76	\$ 2.01
77000022	1 1/2"	1/2"	.340	\$ 1.80	\$ 2.02
77000028	1 3/4"	1/2"	.340	\$ 1.81	\$ 2.03
77000034	2"	1/2"	.340	\$ 1.82	\$ 2.04

Part No.	Bolt Length	Your Material	Head Thickness	Plain (Ea.)	Zinc (Ea.)
77000011	1"	5/8"	.440	\$ 1.83	\$ 2.06
77000017	1 1/4"	5/8"	.440	\$ 1.84	\$ 2.07
77000023	1 1/2"	5/8"	.440	\$ 1.85	\$ 2.08
77000029	1 3/4"	5/8"	.440	\$ 1.86	\$ 2.09
77000035	2"	5/8"	.440	\$ 1.87	\$ 2.10

Part No.	Bolt Length	Your Material	Head Thickness	Plain (Ea.)	Zinc (Ea.)
77000012	1"	3/4"	.520	\$ 1.91	\$ 2.06
77000018	1 1/4"	3/4"	.520	\$ 1.92	\$ 2.07
77000024	1 1/2"	3/4"	.520	\$ 1.93	\$ 2.08
77000030	1 3/4"	3/4"	.520	\$ 1.94	\$ 2.09
77000036	2"	3/4"	.520	\$ 1.95	\$ 2.10

Part No.	Bolt Length	Your Material	Head Thickness	Plain (Ea.)	Zinc (Ea.)
77000013	1"	1"	.740	\$ 1.92	\$ 2.23
77000019	1 1/4"	1"	.740	\$ 1.74	\$ 1.94
77000025	1 1/2"	1"	.740	\$ 2.02	\$ 2.25
77000031	1 3/4"	1"	.740	\$ 2.03	\$ 2.26
77000037	2"	1"	.740	\$ 2.04	\$ 2.27

### Counterbore Tool

Part No.	Your Material	Price (Ea.)
77000140	1/4"	\$ 84.53
77000141	3/8"	\$ 84.53
77000142	1/2"	\$ 84.53
77000143	5/8"	\$ 84.53
77000144	3/4"	\$ 84.53
77000145	1"	\$ 84.53



### Hardware

Part No.	Material Type	Price (Ea.)
77000038	Poly Washers	\$.14
77000039	Steel Washers	\$.13
77000040	Locknuts	\$.16
77000041	Regular Nuts	\$.07

## Elevator Bolts - 5/16"–18 with 1.375" Head Diameter

Part No.	Bolt Length	Your Material	Head Thickness	Plain (Ea.)	Zinc (Ea.)
77000042	1"	1/4"	.140	\$ 2.21	\$ 2.39
77000048	1 1/4"	1/4"	.140	\$ 2.21	\$ 2.40
77000054	1 1/2"	1/4"	.140	\$ 2.23	\$ 2.42
77000060	1 3/4"	1/4"	.140	\$ 2.24	\$ 2.43
77000066	2"	1/4"	.140	\$ 2.25	\$ 2.44

Part No.	Bolt Length	Your Material	Head Thickness	Plain (Ea.)	Zinc (Ea.)
77000043	1"	3/8"	.240	\$ 2.23	\$ 2.42
77000049	1 1/4"	3/8"	.240	\$ 2.24	\$ 2.43
77000055	1 1/2"	3/8"	.240	\$ 2.25	\$ 2.44
77000061	1 3/4"	3/8"	.240	\$ 2.26	\$ 2.47
77000067	2"	3/8"	.240	\$ 2.27	\$ 2.48

Part No.	Bolt Length	Your Material	Head Thickness	Plain (Ea.)	Zinc (Ea.)
77000044	1"	1/2"	.340	\$ 2.27	\$ 2.44
77000050	1 1/4"	1/2"	.340	\$ 2.28	\$ 2.47
77000056	1 1/2"	1/2"	.340	\$ 1.38	\$ 2.42
77000062	1 3/4"	1/2"	.340	\$ 2.31	\$ 2.49
77000068	2"	1/2"	.340	\$ 2.33	\$ 2.50

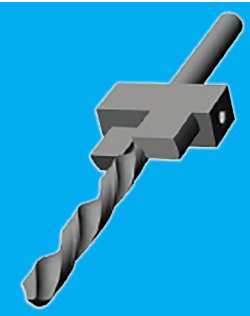
Part No.	Bolt Length	Your Material	Head Thickness	Plain (Ea.)	Zinc (Ea.)
77000045	1"	5/8"	.440	\$ 2.34	\$ 2.56
77000051	1 1/4"	5/8"	.440	\$ 2.35	\$ 2.57
77000057	1 1/2"	5/8"	.440	\$ 2.36	\$ 2.59
77000063	1 3/4"	5/8"	.440	\$ 2.38	\$ 2.60
77000069	2"	5/8"	.440	\$ 2.39	\$ 2.63

Part No.	Bolt Length	Your Material	Head Thickness	Plain (Ea.)	Zinc (Ea.)
77000046	1"	3/4"	.520	\$ 2.40	\$ 2.64
77000052	1 1/4"	3/4"	.520	\$ 2.42	\$ 2.65
77000058	1 1/2"	3/4"	.520	\$ 2.43	\$ 2.66
77000064	1 3/4"	3/4"	.520	\$ 2.44	\$ 2.67
77000070	2"	3/4"	.520	\$ 2.47	\$ 2.68

Part No.	Bolt Length	Your Material	Head Thickness	Plain (Ea.)	Zinc (Ea.)
77000047	1"	1"	.740	\$ 2.49	\$ 2.71
77000053	1 1/4"	1"	.740	\$ 2.50	\$ 2.73
77000059	1 1/2"	1"	.740	\$ 2.51	\$ 2.74
77000065	1 3/4"	1"	.740	\$ 2.52	\$ 2.44
77000071	2"	1"	.740	\$ 2.54	\$ 2.76

### Counterbore Tool

Part No.	Your Material	Price (Ea.)
77000152	1/4"	\$ 84.53
77000153	3/8"	\$ 84.53
77000154	1/2"	\$ 84.53
77000155	5/8"	\$ 84.53
77000156	3/4"	\$ 84.53
77000157	1"	\$ 84.53



### Hardware

Part No.	Material Type	Price (Ea.)
77000072	Poly Washers	\$.15
77000073	Steel Washers	\$.16
77000074	Locknuts	\$.18
77000075	Regular Nuts	\$.07

## Elevator Bolts - 3/8"–16 with 1.375" Head Diameter

Part No.	Bolt Length	Your Material	Head Thickness	Plain (Ea.)	Zinc (Ea.)
77000104	1"	1/4"	.140	\$ 3.00	\$ 3.09
77000110	1 1/4"	1/4"	.140	\$ 3.02	\$ 3.11
77000116	1 1/2"	1/4"	.140	\$ 3.03	\$ 3.12
77000122	1 3/4"	1/4"	.140	\$ 3.05	\$ 3.13
77000128	2"	1/4"	.140	\$ 3.06	\$ 3.14

Part No.	Bolt Length	Your Material	Head Thickness	Plain (Ea.)	Zinc (Ea.)
77000105	1"	3/8"	.240	\$ 3.06	\$ 3.14
77000111	1 1/4"	3/8"	.240	\$ 3.07	\$ 3.15
77000117	1 1/2"	3/8"	.240	\$ 3.08	\$ 3.15
77000123	1 3/4"	3/8"	.240	\$ 3.09	\$ 3.20
77000129	2"	3/8"	.240	\$ 3.11	\$ 3.20

Part No.	Bolt Length	Your Material	Head Thickness	Plain (Ea.)	Zinc (Ea.)
77000106	1"	1/2"	.340	\$ 3.09	\$ 3.20
77000112	1 1/4"	1/2"	.340	\$ 3.11	\$ 3.21
77000118	1 1/2"	1/2"	.340	\$ 3.12	\$ 3.22
77000124	1 3/4"	1/2"	.340	\$ 3.13	\$ 3.23
77000130	2"	1/2"	.340	\$ 3.14	\$ 3.24

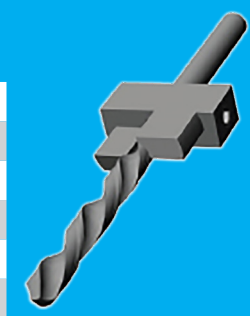
Part No.	Bolt Length	Your Material	Head Thickness	Plain (Ea.)	Zinc (Ea.)
77000107	1"	5/8"	.440	\$ 3.14	\$ 3.24
77000113	1 1/4"	5/8"	.440	\$ 3.15	\$ 3.26
77000119	1 1/2"	5/8"	.440	\$ 3.15	\$ 3.26
77000125	1 3/4"	5/8"	.440	\$ 3.20	\$ 3.26
77000131	2"	5/8"	.440	\$ 3.20	\$ 3.26

Part No.	Bolt Length	Your Material	Head Thickness	Plain (Ea.)	Zinc (Ea.)
77000108	1"	3/4"	.520	\$ 3.20	\$ 3.26
77000114	1 1/4"	3/4"	.520	\$ 3.21	\$ 3.28
77000120	1 1/2"	3/4"	.520	\$ 3.22	\$ 3.32
77000126	1 3/4"	3/4"	.520	\$ 3.23	\$ 3.33
77000132	2"	3/4"	.520	\$ 3.24	\$ 3.36

Part No.	Bolt Length	Your Material	Head Thickness	Plain (Ea.)	Zinc (Ea.)
77000109	1"	1"	.740	\$ 3.24	\$ 3.36
77000115	1 1/4"	1"	.740	\$ 3.26	\$ 3.36
77000121	1 1/2"	1"	.740	\$ 3.26	\$ 3.36
77000127	1 3/4"	1"	.740	\$ 3.26	\$ 3.38
77000133	2"	1"	.740	\$ 3.26	\$ 3.39

### Counterbore Tool

Part No.	Your Material	Price (Ea.)
77000158	1/4"	\$ 84.53
77000159	3/8"	\$ 84.53
77000160	1/2"	\$ 84.53
77000161	5/8"	\$ 84.53
77000162	3/4"	\$ 84.53
77000163	1"	\$ 84.53



### Hardware

Part No.	Material Type	Price (Ea.)
77000134	Poly Washers	\$.16
77000135	Steel Washers	\$.21
77000136	Locknuts	\$.18
77000137	Regular Nuts	\$.07