



CATALOG 03/2023-US-A.2
SYSTEM AMADA



STATION A

PASS Standard I Station A.....	page 6
ps:®alpha I Station A.....	page 8
ps:®alpha-compact I Station A.....	page 10
ps:®beta-V2® ABS I Station A.....	page 12
ps:®beta-compact ABS I Station A.....	page 14
ps:®alpha ABS I Station A.....	page 16

STATION B

PASS Standard I Station B.....	page 18
ps:®alpha I Station B.....	page 20
ps:®alpha-compact I Station B.....	page 22
ps:®beta-V2® ABS I Station B.....	page 24
ps:®beta-compact ABS I Station B.....	page 26
ps:®alpha ABS I Station B.....	page 28

STATION C

PASS Standard I Station C.....	page 30
ps:®beta-V2® ABS I Station C.....	page 32
ps:®beta-V2® ABS Slitting Tool I Station C.....	page 34
ps:®alpha-V2 ABS I Station C.....	page 36

STATION D

PASS Standard I Station D.....	page 38
ps:®beta-V2® ABS I Station D.....	page 40
ps:®beta-V2® ABS Slitting Tool I Station D.....	page 42
ps:®beta-V2® ABS Slitting Tool I Station D Close to clamp.....	page 44
ps:®alpha-V2 ABS I Station D.....	page 46

STATION E

PASS Standard I Station E.....	page 48
ps:®beta-V2® ABS I Station E.....	page 50
ps:®beta-V2® ABS Slitting Tool I Station E.....	page 52
ps:®beta-V2® ABS Slitting Tool I Station E Close to clamp.....	page 54
ps:®alpha-V2 ABS I Station E.....	page 56

ACCESSORIES

ps:®assembly-element.....	page 60
PASS assembling set.....	page 61
PASS adapter.....	page 62
PASS dies.....	page 63

TECHNICAL INFORMATION

O.D. Ground Special Shapes.....	page 66
EDM Required Special Shapes.....	page 67
PASS tool variety.....	page 68
Lifetime of tools I regrind advice.....	page 69
PASS coating versions / draw-polishing.....	page 70
Die versions.....	page 71
Punches with different shear types.....	page 72
PASS back taper on punches.....	page 73
PASS corner radius on punches.....	page 74
PASS punches with reinforced shoulder.....	page 75
Index.....	page 79



TOOLS STATION A TO E

PASS TOOLS FOR YOUR AMADA SYSTEM

INDEX

PASS Standard I Station A	page 6
ps:®alpha I Station A	page 8
ps:®alpha-compact I Station A	page 10
ps:®beta-V2® ABS I Station A	page 12
ps:®beta-compact ABS I Station A	page 14
ps:®alpha ABS I Station A	page 16
PASS Standard I Station B	page 18
ps:®alpha I Station B	page 20
ps:®alpha-compact I Station B	page 22
ps:®beta-V2® ABS I Station B	page 24
ps:®beta-compact ABS I Station B	page 26
ps:®alpha ABS I Station B	page 28
PASS Standard I Station C	page 30
ps:®beta-V2® ABS I Station C	page 32
ps:®beta-V2® ABS Slitting Tool I Station C	page 34
ps:®alpha-V2 ABS I Station C	page 36
PASS Standard I Station D	page 38
ps:®beta-V2® ABS I Station D	page 40
ps:®beta-V2® ABS Slitting Tool I Station D	page 42
ps:®beta-V2® ABS Slitting Tool I Station D Close to clamp	page 44
ps:®alpha-V2 ABS I Station D	page 46
PASS Standard I Station E	page 48
ps:®beta-V2® ABS I Station E	page 50
ps:®beta-V2® ABS Slitting Tool I Station E	page 52
ps:®beta-V2® ABS Slitting Tool I Station E Close to clamp	page 54
ps:®alpha-V2 ABS I Station E	page 56

PASS STANDARD I STATION A

DIAMETER UP TO 12,7 MM



HEAD UNIT

Hexagon head screw for simply assembling of punch assembly

Spring for sheet thickness up to 6 mm

2 mm length adjustment by turning of the distance ring



PUNCH BODY

Metric thread M12 x 1,25

Punch body made with premium H-PM®

Alignment pin with double D for exact adjustment



PUNCH GUIDE

Surface-hardened and polished punch guide for sheet thickness up to 6 mm

Keyway position:

Round: 0°

Square: 0-45°

Rect./Oblong: 0-90-225°

Asym. shapes: 0-90-180-270°

Tool shapes integrated in guide

PASS STANDARD I STATION A

DIAMETER UP TO 12,7 MM

PART NO.



COMPLETE PUNCH ASSEMBLY		
	Round	4012A01
	Square	4012A02
	Rectangle	4012A03
	Oblong	4012A04
	O.D. Ground Special Shape	4012A0G
	EDM Required Special Shape	4012A0E

HEAD UNIT (HEAD SCREW, SPRING, DISTANCE RING)		
	For all shapes	4092A01

PUNCH BODY (H-PM®)		
	Round	4022A01
	Square	4022A02
	Rectangle	4022A03
	Oblong	4022A04
	O.D. Ground Special Shape	4022A0G
	EDM Required Special Shape	4022A0E

PUNCH GUIDE		
	Round	4032A01
	Square	4032A02
	Rectangle	4032A03
	Oblong	4032A04
	O.D. Ground Special Shape	4032A0G
	EDM Required Special Shape	4032A0E

DIE (HWS)		
	Round	4052A01
	Square	4052A02
	Rectangle	4052A03
	Oblong	4052A04
	O.D. Ground Special Shape	4052A0G
	EDM Required Special Shape	4052A0E

SPARE PARTS		ADDITIONAL COSTS FOR PUNCH
-------------	--	----------------------------

Head screw	4092A31	TICN coating
Spring	4092A11	T-MAX coating
Distance ring	4092A21	A-MAX coating
O-Ring (in punch guide)	4092A51	WT-shear
PU ejector Ø 3x6 (in punch)	4092P03	DOWT-shear
PU ejector Ø 6x10 (in punch)	4092P06	2 PT-shear
		4 PT-shear
		Cutting part under 1,00 mm

COMPENSATING SHIM FOR PUNCH		ADDITIONAL COSTS FOR PUNCH GUIDE
-----------------------------	--	----------------------------------

Piece (2 mm)	499A4S2	Additional keyway
--------------	---------	-------------------

SET OF COMPENSATING SHIMS FOR DIE		ADDITIONAL COSTS FOR DIES
-----------------------------------	--	---------------------------

1x0,4 mm/1x0,8 mm/1x1,2 mm	499A1M1	Reinforced die
Shimkeeper (0,5 mm)	499A1M95	H-PM® Quality
		Additional pin hole

ps:® alpha I STATION A

DIAMETER UP TO 12,7 MM



HEAD UNIT

Canister for sheet thickness up to 4 mm

Continuously and easy length adjustment in assembled status



PUNCH BODY

Metric thread M12 x 1,25

Punch body made with premium H-PM®

Alignment pin with double D for exact adjustment



PUNCH GUIDE

Surface-hardened and polished punch guide for sheet thickness up to 4 mm

Keyway position:
All shapes: 0- 90°-225°



STRIPPER

Interchangeable stripper plate

ps:® alpha I STATION A

DIAMETER UP TO 12,7 MM

PART NO.



COMPLETE PUNCH ASSEMBLY		
	Round	4013A01
	Square	4013A02
	Rectangle	4013A03
	Oblong	4013A04
	O.D. Ground Special Shape	4013A0G
	EDM Required Special Shape	4013A0E

HEAD UNIT		
	For all shapes	4093A01

PUNCH BODY (H-PM®)		
	Round	4023A01
	Square	4023A02
	Rectangle	4023A03
	Oblong	4023A04
	O.D. Ground Special Shape	4023A0G
	EDM Required Special Shape	4023A0E

PUNCH GUIDE		
	For all shapes	4033A05

STRIPPER		
	Round	4043A01
	Square	4043A02
	Rectangle	4043A03
	Oblong	4043A04
	O.D. Ground Special Shape	4043A0G
	EDM Required Special Shape	4043A0E

DIE (HWS)		
	Round	4052A01
	Square	4052A02
	Rectangle	4052A03
	Oblong	4052A04
	O.D. Ground Special Shape	4052A0G
	EDM Required Special Shape	4052A0E

SPARE PARTS		ADDITIONAL COSTS FOR PUNCH
O-Ring (in punch guide)	4092A51	TICN coating
PU ejector Ø 3x6 (in punch)	4092P03	T-MAX coating
PU ejector Ø 6x10 (in punch)	4092P06	A-MAX coating

- WT-shear
- DOWT-shear
- 2 PT-shear
- 4 PT-shear
- Cutting part under 1,00 mm

COMPENSATING SHIM FOR PUNCH		ADDITIONAL COSTS FOR PUNCH GUIDE
Not necessary		Additional keyway

SET OF COMPENSATING SHIMS FOR DIE		ADDITIONAL COSTS FOR DIES
1x0,4 mm/1x0,8 mm/1x1,2 mm	499A1M1	Reinforced die
Shimkeeper (0,5 mm)	499A1M95	H-PM® Quality
		Additional pin hole

03/2023-US-A.2 Version 5.0

CONTACT: 262-307-2209



ps:® alpha-compact I STATION A

DIAMETER UP TO 12,7 MM



HEAD UNIT

Canister for sheet thickness up to 4 mm

Continuously and easy length adjustment in assembled status



PUNCH BODY

Metric thread M12 x 1,25

Punch body made with premium H-PM®

Alignment pin with double D for exact adjustment



PUNCH GUIDE

Surface-hardened and polished punch guide for sheet thickness up to 4 mm

Keyway position:

Round: 0°

Square: 0-45°

Rect./Oblong: 0-90-225°

Asym. shapes: 0-90-180-270°

Tool shapes integrated in guide

ps:[®]alpha-compact I STATION A

DIAMETER UP TO 12,7 MM



COMPLETE PUNCH ASSEMBLY		PART NO.
Round		4017A01
Square		4017A02
Rectangle		4017A03
Oblong		4017A04
O.D. Ground Special Shape		4017A0G
EDM Required Special Shape		4017A0E

HEAD UNIT		PART NO.
For all shapes		4093A01

PUNCH BODY (H-PM [®])		PART NO.
Round		4023A01
Square		4023A02
Rectangle		4023A03
Oblong		4023A04
O.D. Ground Special Shape		4023A0G
EDM Required Special Shape		4023A0E

PUNCH GUIDE		PART NO.
Round		4032A01
Square		4032A02
Rectangle		4032A03
Oblong		4032A04
O.D. Ground Special Shape		4032A0G
EDM Required Special Shape		4032A0E

DIE (HWS)		PART NO.
Round		4052A01
Square		4052A02
Rectangle		4052A03
Oblong		4052A04
O.D. Ground Special Shape		4052A0G
EDM Required Special Shape		4052A0E

SPARE PARTS	PART NO.	ADDITIONAL COSTS FOR PUNCH
O-Ring (in punch guide)	4092A51	TICN coating
PU ejector Ø 3x6 (in punch)	4092P03	T-MAX coating
PU ejector Ø 6x10 (in punch)	4092P06	A-MAX coating

- WT-shear
- DOWT-shear
- 2 PT-shear
- 4 PT-shear
- Cutting part under 1,00 mm

COMPENSATING SHIM FOR PUNCH	PART NO.	ADDITIONAL COSTS FOR PUNCH GUIDE
Not necessary		Additional keyway

SET OF COMPENSATING SHIMS FOR DIE	PART NO.	ADDITIONAL COSTS FOR DIES
1x0,4 mm/1x0,8 mm/1x1,2 mm	499A1M1	Reinforced die
Shimkeeper (0,5 mm)	499A1M95	H-PM [®] Quality
		Additional pin hole

ps:®beta-V2® ABS I STATION A

DIAMETER UP TO 12,7 MM



HEAD UNIT

Canister for sheet thickness up to 6 mm

Spring

10 mm length adjustment by thread

Oil channel for sheet lubrication

On request, suitable for PDC-system



PUNCH BODY

Oil channel for sheet lubrication

Alignment pin with double D for exact adjustment

Punch body made with premium H-PM®



PUNCH GUIDE

Simple length adjustment in assembled state by pressing the locking button

Surface-hardened and polished punch guide for sheet thickness up to 6 mm

Keyway position:
All shapes: 0-90-225°

STRIPPER

Interchangeable stripper plate with oil channels

ps:®beta-V2® ABS I STATION A

DIAMETER UP TO 12,7 MM

PART NO.

COMPLETE PUNCH ASSEMBLY		
Round		4019A01
Square		4019A02
Rectangle		4019A03
Oblong		4019A04
O.D. Ground Special Shape		4019A0G
EDM Required Special Shape		4019A0E

HEAD UNIT		
For all shapes		4099A10

PUNCH BODY (H-PM®)		
Round		4029A01
Square		4029A02
Rectangle		4029A03
Oblong		4029A04
O.D. Ground Special Shape		4029A0G
EDM Required Special Shape		4029A0E

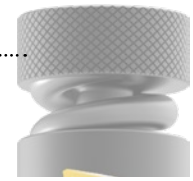
PUNCH GUIDE		
For all shapes		4039A05

STRIPPER		
Round		4049A01
Square		4049A02
Rectangle		4049A03
Oblong		4049A04
O.D. Ground Special Shape		4049A0G
EDM Required Special Shape		4049A0E

DIE (HWS)		
Round		4052A01
Square		4052A02
Rectangle		4052A03
Oblong		4052A04
O.D. Ground Special Shape		4052A0G
EDM Required Special Shape		4052A0E

SPARE PARTS		
O-Ring (in punch guide)		4092A51
PU ejector Ø 3x6 (in punch)		4092P03
PU ejector Ø 6x10 (in punch)		4092P06

COMPENSATING SHIM FOR PUNCH		
Not necessary		
SET OF COMPENSATING SHIMS FOR DIE		
1x0,4 mm/1x0,8 mm/1x1,2 mm		499A1M1
Shimkeeper (0,5 mm)		499A1M95



Head unit for PDC-system (without extra charge)

Part.-no. „see left“-PDC e.g.: 4019A01-PDC



ADDITIONAL COSTS FOR PUNCH

- TICN coating
- T-MAX coating
- A-MAX coating
- WT-shear
- DOWT-shear
- 2 PT-shear
- 4 PT-shear
- Cutting part under 1,00 mm

ADDITIONAL COSTS FOR PUNCH GUIDE

- Additional keyway

ADDITIONAL COSTS FOR DIES

- Reinforced die
- H-PM® Quality
- ps:®tornado-die (vacuum-style)
- Additional pin hole

ps:® beta-compact ABS I STATION A

DIAMETER UP TO 12,7 MM



HEAD UNIT

Canister for sheet thickness up to 6 mm

Spring

10 mm length adjustment by thread

Oil channel for sheet lubrication

On request, suitable for PDC-system



PUNCH BODY

Oil channel for sheet lubrication

Alignment pin with double D for exact adjustment

Punch body made with premium H-PM®



PUNCH GUIDE

Simple length adjustment in assembled state by pressing the locking button

Surface-hardened and polished punch guide for sheet thickness up to 6 mm

Keyway position:

Round: 0°

Square: 0-45°

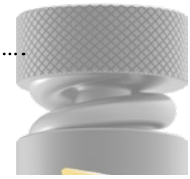
Rect./Oblong: 0-45-90-135°

Asym. shapes: 0-90-180-270°

Tool shapes integrated in guide

ps:®beta-compact ABS I STATION A

DIAMETER UP TO 12,7 MM



Head unit
for PDC-system
(without extra charge)

Part.-no. „see left“-PDC
e.g.: 4018A01-PDC



		PART.NO.
COMPLETE PUNCH ASSEMBLY		
	Round	4018A01
	Square	4018A02
	Rectangle	4018A03
	Oblong	4018A04
	O.D. Ground Special Shape	4018A0G
	EDM Required Special Shape	4018A0E

HEAD UNIT		
	For all shapes	4095A10

PUNCH BODY (H-PM®)		
	Round	4025A01
	Square	4025A02
	Rectangle	4025A03
	Oblong	4025A04
	O.D. Ground Special Shape	4025A0G
	EDM Required Special Shape	4025A0E

PUNCH GUIDE		
	Round	4038A01
	Square	4038A02
	Rectangle	4038A03
	Oblong	4038A04
	O.D. Ground Special Shape	4038A0G
	EDM Required Special Shape	4038A0E

DIE (HWS)		
	Round	4052A01
	Square	4052A02
	Rectangle	4052A03
	Oblong	4052A04
	O.D. Ground Special Shape	4052A0G
	EDM Required Special Shape	4052A0E

SPARE PARTS		ADDITIONAL COSTS FOR PUNCH
O-Ring (in punch guide)	4092A51	TICN coating
PU ejector Ø 3x6 (in punch)	4092P03	T-MAX coating
PU ejector Ø 6x10 (in punch)	4092P06	A-MAX coating

- WT-shear
- DOWT-shear
- 2 PT-shear
- 4 PT-shear
- Cutting part under 1,00 mm

COMPENSATING SHIM FOR PUNCH		ADDITIONAL COSTS FOR PUNCH GUIDE
Not necessary		Additional keyway

SET OF COMPENSATING SHIMS FOR DIE		ADDITIONAL COSTS FOR DIES
1x0,4 mm/1x0,8 mm/1x1,2 mm	499A1M1	Reinforced die
Shimkeeper (0,5 mm)	499A1M95	H-PM® Quality
		ps:®tornado-die (vacuum-style)
		Additional pin hole

ps:® alpha ABS I STATION A

DIAMETER UP TO 12,7 MM



HEAD UNIT

Canister for sheet thickness up to 4 mm

Continuously and easy length adjustment
in assembled status

Oil channel for sheet lubrication



PUNCH BODY

Metric thread M12 x 1,25

Oil channel for sheet lubrication

Punch body made with premium H-PM®

Alignment pin with double D for exact adjustment



PUNCH GUIDE

Surface-hardened and polished punch
guide for sheet thickness up to 4 mm

Keyway position:
All shapes: 0-90-225°

STRIPPER

Interchangeable stripper plate with oil channels

ps:® alpha ABS I STATION A

DIAMETER UP TO 12,7 MM

PART NO.

COMPLETE PUNCH ASSEMBLY		
	Round	40110A01
	Square	40110A02
	Rectangle	40110A03
	Oblong	40110A04
	O.D. Ground Special Shape	40110A0G
	EDM Required Special Shape	40110A0E

HEAD UNIT		
	For all shapes	40910A10

PUNCH BODY (H-PM®)		
	Round	40210A01
	Square	40210A02
	Rectangle	40210A03
	Oblong	40210A04
	O.D. Ground Special Shape	40210A0G
	EDM Required Special Shape	40210A0E

PUNCH GUIDE		
	For all shapes	40310A05

STRIPPER		
	Round	40410A01
	Square	40410A02
	Rectangle	40410A03
	Oblong	40410A04
	O.D. Ground Special Shape	40410A0G
	EDM Required Special Shape	40410A0E

DIE (HWS)		
	Round	4052A01
	Square	4052A02
	Rectangle	4052A03
	Oblong	4052A04
	O.D. Ground Special Shape	4052A0G
	EDM Required Special Shape	4052A0E

SPARE PARTS		
O-Ring (in punch guide)	4092A51	
PU ejector Ø 3x6 (in punch)	4092P03	
PU ejector Ø 6x10 (in punch)	4092P06	

COMPENSATING SHIM FOR PUNCH		
Not necessary		
SET OF COMPENSATING SHIMS FOR DIE		
1x0,4 mm/1x0,8 mm/1x1,2 mm	499A1M1	
Shimkeeper (0,5 mm)	499A1M95	

ADDITIONAL COSTS FOR PUNCH	
TICN coating	
T-MAX coating	
A-MAX coating	
WT-shear	
DOWT-shear	
2 PT-shear	
4 PT-shear	
Cutting part under 1,00 mm	

ADDITIONAL COSTS FOR PUNCH GUIDE	
Additional keyway	
ADDITIONAL COSTS FOR DIES	
Reinforced die	
H-PM® Quality	
ps:®tornado-die (vacuum-style)	
Additional pin hole	



PASS STANDARD I STATION B

DIAMETER UP TO 31,57 MM



HEAD UNIT

Hexagon head screw for simply assembling of punch assembly

Spring for sheet thickness up to 6 mm

2 mm length adjustment by turning of the distance ring



PUNCH BODY

Metric thread M20 x 1,5

Punch body made with premium H-PM®

Alignment pin with double D for exact adjustment



PUNCH GUIDE

Surface-hardened and polished punch guide for sheet thickness up to 6 mm

Keyway position:

Round: 0°

Square: 0-45°

Rect./Oblong: 0-90-225°

Asym. shapes: 0-90-180-270°

Tool shapes integrated in guide

PASS STANDARD I STATION B

DIAMETER UP TO 31,75 MM



COMPLETE PUNCH ASSEMBLY		
	Round	4012B01
	Square	4012B02
	Rectangle	4012B03
	Oblong	4012B04
	O.D. Ground Special Shape	4012B0G
	EDM Required Special Shape	4012B0E

HEAD UNIT (HEAD SCREW, SPRING, DISTANCE RING)		
	For all shapes	4092B01

PUNCH BODY (H-PM®)		
	Round	4022B01
	Square	4022B02
	Rectangle	4022B03
	Oblong	4022B04
	O.D. Ground Special Shape	4022B0G
	EDM Required Special Shape	4022B0E

PUNCH GUIDE		
	Round	4032B01
	Square	4032B02
	Rectangle	4032B03
	Oblong	4032B04
	O.D. Ground Special Shape	4032B0G
	EDM Required Special Shape	4032B0E

DIE (HWS)		
	Round	4052B01
	Square	4052B02
	Rectangle	4052B03
	Oblong	4052B04
	O.D. Ground Special Shape	4052B0G
	EDM Required Special Shape	4052B0E

SPARE PARTS		ADDITIONAL COSTS FOR PUNCH
Head screw	4092B31	TICN coating
Spring	4092B11	T-MAX coating
Distance ring	4092B21	A-MAX coating
O-Ring (in punch guide)	4092B51	WT-shear
PU ejector Ø 3x6 (in punch)	4092P03	DOWT-shear
PU ejector Ø 6x10 (in punch)	4092P06	2 PT-shear
		4 PT-shear
		Cutting part under 1,00 mm

COMPENSATING SHIM FOR PUNCH		ADDITIONAL COSTS FOR PUNCH GUIDE
Piece (2 mm)	499B4S2	Additional keyway

SET OF COMPENSATING SHIMS FOR DIE		ADDITIONAL COSTS FOR DIES
1x0,4 mm/1x0,8 mm/1x1,2 mm	499B1M1	Reinforced die
Shimkeeper (0,5 mm)	499B1M95	H-PM® Quality
		Additional pin hole

ps:® alpha I STATION B

DIAMETER UP TO 31,75 MM



HEAD UNIT

Canister for sheet thickness up to 4 mm

Continuously and easy length adjustment
in assembled status



PUNCH BODY

Metric thread M20 x 1,5

Punch body made with premium H-PM®

Alignment pin with double D for exact adjustment



PUNCH GUIDE

Surface-hardened and polished punch
guide for sheet thickness up to 4 mm

Keyway position:
All shapes: 0-45-90-180-270°

STRIPPER

Interchangeable stripper plate

ps:® alpha I STATION B

DIAMETER UP TO 31,75 MM



PART-NO.

COMPLETE PUNCH ASSEMBLY

Round	4013B01
Square	4013B02
Rectangle	4013B03
Oblong	4013B04
O.D. Ground Special Shape	4013B0G
EDM Required Special Shape	4013B0E

HEAD UNIT

For all shapes	4093B01
----------------	---------

PUNCH BODY (H-PM®)

Round	4023B01
Square	4023B02
Rectangle	4023B03
Oblong	4023B04
O.D. Ground Special Shape	4023B0G
EDM Required Special Shape	4023B0E

PUNCH GUIDE

For all shapes	4033B05
----------------	---------

STRIPPER

Round	4043B01
Square	4043B02
Rectangle	4043B03
Oblong	4043B04
O.D. Ground Special Shape	4043B0G
EDM Required Special Shape	4043B0E

DIE (HWS)

Round	4052B01
Square	4052B02
Rectangle	4052B03
Oblong	4052B04
O.D. Ground Special Shape	4052B0G
EDM Required Special Shape	4052B0E

SPARE PARTS

O-Ring (in punch guide)	4092B51
PU ejector Ø 3x6 (in punch)	4092P03
PU ejector Ø 6x10 (in punch)	4092P06

ADDITIONAL COSTS FOR PUNCH

TICN coating
T-MAX coating
A-MAX coating
WT-shear
DOWT-shear
2 PT-shear
4 PT-shear
Cutting part under 1,00 mm

COMPENSATING SHIM FOR PUNCH

Not necessary	
---------------	--

ADDITIONAL COSTS FOR PUNCH GUIDE

Additional keyway

SET OF COMPENSATING SHIMS FOR DIE

1x0,4 mm/1x0,8 mm/1x1,2 mm	499B1M1
Shimkeeper (0,5 mm)	499B1M95

ADDITIONAL COSTS FOR DIES

Reinforced die
H-PM® Quality
Additional pin hole

ps:® alpha-compact I STATION B

DIAMETER UP TO 31,75 MM



HEAD UNIT

Canister for sheet thickness up to 4 mm

Continuously and easy length adjustment
in assembled status



PUNCH BODY

Metric thread M20 x 1,5

Punch body made with premium H-PM®

Alignment pin with double D for exact adjustment



PUNCH GUIDE

Surface-hardened and polished punch
guide for sheet thickness up to 4 mm

Keyway position:

Round: 0°

Square: 0-45°

Rect./Oblong: 0-45-90-135°

Asym. shapes: 0-90-180-270°

Tool shapes integrated in guide

ps:® alpha-compact I STATION B

DIAMETER UP TO 31,75 MM



COMPLETE PUNCH ASSEMBLY		PART NO.
Round		4017B01
Square		4017B02
Rectangle		4017B03
Oblong		4017B04
O.D. Ground Special Shape		4017B0G
EDM Required Special Shape		4017B0E

HEAD UNIT		PART NO.
For all shapes		4093B01

PUNCH BODY (H-PM®)		PART NO.
Round		4023B01
Square		4023B02
Rectangle		4023B03
Oblong		4023B04
O.D. Ground Special Shape		4023B0G
EDM Required Special Shape		4023B0E

PUNCH GUIDE		PART NO.
Round		4032B01
Square		4032B02
Rectangle		4032B03
Oblong		4032B04
O.D. Ground Special Shape		4032B0G
EDM Required Special Shape		4032B0E

DIE (HWS)		PART NO.
Round		4052B01
Square		4052B02
Rectangle		4052B03
Oblong		4052B04
O.D. Ground Special Shape		4052B0G
EDM Required Special Shape		4052B0E

SPARE PARTS		ADDITIONAL COSTS FOR PUNCH
O-Ring (in punch guide)	4092B51	TICN coating
PU ejector Ø 3x6 (in punch)	4092P03	T-MAX coating
PU ejector Ø 6x10 (in punch)	4092P06	A-MAX coating

- WT-shear
- DOWT-shear
- 2 PT-shear
- 4 PT-shear
- Cutting part under 1,00 mm

COMPENSATING SHIM FOR PUNCH		ADDITIONAL COSTS FOR PUNCH GUIDE
Not necessary		Additional keyway

SET OF COMPENSATING SHIMS FOR DIE		ADDITIONAL COSTS FOR DIES
1x0,4 mm/1x0,8 mm/1x1,2 mm	499B1M1	Reinforced die
Shimkeeper (0,5 mm)	499B1M95	H-PM® Quality
		Additional pin hole

ps:®beta-V2® ABS I STATION B

DIAMETER UP TO 31,75 MM



HEAD UNIT

Canister for sheet thickness up to 6 mm

Spring

10 mm length adjustment by thread

Oil channel for sheet lubrication

On request, suitable for PDC-system



PUNCH BODY

Oil channel for sheet lubrication

Alignment pin with double D for exact adjustment

Punch body made with premium H-PM®



PUNCH GUIDE

Simple length adjustment in assembled state by pressing the locking button

Surface-hardened and polished punch guide for sheet thickness up to 6 mm

Keyway position:
All shapes: 0-90-225°

STRIPPER

Interchangeable stripper plate with oil channels

ps:®beta-V2® ABS I STATION B

DIAMETER UP TO 31,75 MM

PART-NO.

COMPLETE PUNCH ASSEMBLY		
	Round	4019B01
	Square	4019B02
	Rectangle	4019B03
	Oblong	4019B04
	O.D. Ground Special Shape	4019B0G
	EDM Required Special Shape	4019B0E

HEAD UNIT		
	For all shapes	4099B10

PUNCH BODY (H-PM®)		
	Round	4029B01
	Square	4029B02
	Rectangle	4029B03
	Oblong	4029B04
	O.D. Ground Special Shape	4029B0G
	EDM Required Special Shape	4029B0E

PUNCH GUIDE		
	For all shapes	4039B05

STRIPPER		
	Round	4049B01
	Square	4049B02
	Rectangle	4049B03
	Oblong	4049B04
	O.D. Ground Special Shape	4049B0G
	EDM Required Special Shape	4049B0E

DIE (HWS)		
	Round	4052B01
	Square	4052B02
	Rectangle	4052B03
	Oblong	4052B04
	O.D. Ground Special Shape	4052B0G
	EDM Required Special Shape	4052B0E

SPARE PARTS		
O-Ring (in punch guide)	4092B51	
PU ejector Ø 3x6 (in punch)	4092P03	
PU ejector Ø 6x10 (in punch)	4092P06	

COMPENSATING SHIM FOR PUNCH		
Not necessary		
SET OF COMPENSATING SHIMS FOR DIE		
1x0,4 mm/1x0,8 mm/1x1,2 mm	499B1M1	
Shimkeeper (0,5 mm)	499B1M95	



Head unit for PDC-system (without extra charge)

Part.-no. „see left“-PDC e.g.: 4019B01-PDC



ADDITIONAL COSTS FOR PUNCH

- TICN coating
- T-MAX coating
- A-MAX coating
- WT-shear
- DOWT-shear
- 2 PT-shear
- 4 PT-shear
- Cutting part under 1,00 mm

ADDITIONAL COSTS FOR PUNCH GUIDE

- Additional keyway

ADDITIONAL COSTS FOR DIES

- Reinforced die
- H-PM® Quality
- ps:®tornado-die (vacuum-style)
- Additional pin hole

CONTACT: 262-307-2209



ps:® beta-compact ABS I STATION B

DIAMETER UP TO 31,75 MM



HEAD UNIT

Canister for sheet thickness up to 6 mm

Spring

10 mm length adjustment by thread

Oil channel for sheet lubrication

On request, suitable for PDC-system



PUNCH BODY

Oil channel for sheet lubrication

Alignment pin with double D for exact adjustment

Punch body made with premium H-PM®



PUNCH GUIDE

Simple length adjustment in assembled state by pressing the locking button

Surface-hardened and polished punch guide for sheet thickness up to 6 mm

Keyway position:

Round: 0°

Square: 0-45°

Rect./Oblong: 0-45-90-135°

Asym. shapes: 0-90-180-270°

Tool shapes integrated in guide

ps:® beta-compact ABS I STATION B

DIAMETER UP TO 31,75 MM



COMPLETE PUNCH ASSEMBLY		PART-NO.
Round		4018B01
Square		4018B02
Rectangle		4018B03
Oblong		4018B04
O.D. Ground Special Shape		4018B0G
EDM Required Special Shape		4018B0E

HEAD UNIT		PART-NO.
For all shapes		4095B10

PUNCH BODY (H-PM®)		PART-NO.
Round		4025B01
Square		4025B02
Rectangle		4025B03
Oblong		4025B04
O.D. Ground Special Shape		4025B0G
EDM Required Special Shape		4025B0E

PUNCH GUIDE		PART-NO.
Round		4038B01
Square		4038B02
Rectangle		4038B03
Oblong		4038B04
O.D. Ground Special Shape		4038B0G
EDM Required Special Shape		4038B0E

DIE (HWS)		PART-NO.
Round		4052B01
Square		4052B02
Rectangle		4052B03
Oblong		4052B04
O.D. Ground Special Shape		4052B0G
EDM Required Special Shape		4052B0E

SPARE PARTS		PART-NO.
O-Ring (in punch guide)		4092B51
PU ejector Ø 3x6 (in punch)		4092P03
PU ejector Ø 6x10 (in punch)		4092P06

ADDITIONAL COSTS FOR PUNCH	
TICN coating	
T-MAX coating	
A-MAX coating	
WT-shear	
DOWT-shear	
2 PT-shear	
4 PT-shear	
Cutting part under 1,00 mm	

COMPENSATING SHIM FOR PUNCH		PART-NO.
Not necessary		

ADDITIONAL COSTS FOR PUNCH GUIDE	
Additional keyway	

SET OF COMPENSATING SHIMS FOR DIE		PART-NO.
1x0,4 mm/1x0,8 mm/1x1,2 mm		499B1M1
Shimkeeper (0,5 mm)		499B1M95

ADDITIONAL COSTS FOR DIES	
Reinforced die	
H-PM® Quality	
ps:®tornado-die (vacuum-style)	
Additional pin hole	

ps:® alpha ABS I STATION B

DIAMETER UP TO 31,75 MM



HEAD UNIT

Canister for sheet thickness up to 4 mm

Continuously and easy length adjustment
in assembled status

Oil channel for sheet lubrication



PUNCH BODY

Metric thread M20 x 1,25

Oil channel for sheet lubrication

Punch body made with premium H-PM®

Alignment pin with double D for exact adjustment



PUNCH GUIDE

Surface-hardened and polished punch
guide for sheet thickness up to 4 mm

Keyway position:
All shapes: 0-90-225°

STRIPPER

Interchangeable stripper plate with oil channels

ps:® alpha ABS I STATION B

DIAMETER UP TO 31,75 MM

PART-NO.



COMPLETE PUNCH ASSEMBLY		
	Round	40110B01
	Square	40110B02
	Rectangle	40110B03
	Oblong	40110B04
	O.D. Ground Special Shape	40110B0G
	EDM Required Special Shape	40110B0E

HEAD UNIT		
	For all shapes	40910B10

PUNCH BODY (H-PM®)		
	Round	40210B01
	Square	40210B02
	Rectangle	40210B03
	Oblong	40210B04
	O.D. Ground Special Shape	40210B0G
	EDM Required Special Shape	40210B0E

PUNCH GUIDE		
	For all shapes	40310B05

STRIPPER		
	Round	40410B01
	Square	40410B02
	Rectangle	40410B03
	Oblong	40410B04
	O.D. Ground Special Shape	40410B0G
	EDM Required Special Shape	40410B0E

DIE (HWS)		
	Round	4052B01
	Square	4052B02
	Rectangle	4052B03
	Oblong	4052B04
	O.D. Ground Special Shape	4052B0G
	EDM Required Special Shape	4052B0E

SPARE PARTS		
O-Ring (in punch guide)	4092B51	
PU ejector Ø 3x6 (in punch)	4092P03	
PU ejector Ø 6x10 (in punch)	4092P06	

ADDITIONAL COSTS FOR PUNCH	
	TICN coating
	T-MAX coating
	A-MAX coating
	WT-shear
	DOWT-shear
	2 PT-shear
	4 PT-shear
	Cutting part under 1,00 mm

COMPENSATING SHIM FOR PUNCH		
	Not necessary	

ADDITIONAL COSTS FOR PUNCH GUIDE	
	Additional keyway

SET OF COMPENSATING SHIMS FOR DIE		
1x0,4 mm/1x0,8 mm/1x1,2 mm	499B1M1	
Shimkeeper (0,5 mm)	499B1M95	

ADDITIONAL COSTS FOR DIES	
	Reinforced die
	H-PM® Quality
	ps:®tornado-die (vacuum-style)
	Additional pin hole

PASS STANDARD I STATION C

DIAMETER UP TO 50,8 MM



GUIDE ASSEMBLY

Screw M12

Disc springs for sheet thickness up to 6 mm

3 mm length adjustment
by using compensating shims

Keyway position: 0-90°

Surface-hardened and polished punch guide for
sheet thickness up to 6 mm

Clamps to fix the strippers

PUNCH BODY

Thread M12

Punch body made with premium H-PM®

STRIPPER

Interchangeable stripper plate

PASS STANDARD I STATION C

DIAMETER UP TO 50,8 MM

PART NO.

GUIDE ASSEMBLY	
For all shapes	499C01

PUNCH BODY (H-PM®)	
Round	4022C01
Square	4022C02
Rectangle	4022C03
Oblong	4022C04
O.D. Ground Special Shape	4022C0G
EDM Required Special Shape	4022C0E

STRIPPER	
Round	4032C01
Square	4032C02
Rectangle	4032C03
Oblong	4032C04
O.D. Ground Special Shape	4032C0G
EDM Required Special Shape	4032C0E

DIE (HWS)	
Round	4052C01
Square	4052C02
Rectangle	4052C03
Oblong	4052C04
O.D. Ground Special Shape	4052C0G
EDM Required Special Shape	4052C0E



SPARE PARTS		ADDITIONAL COSTS FOR PUNCH
PU ejector Ø 3x6 (in punch)	4092P03	TICN coating
PU ejector Ø 6x10 (in punch)	4092P06	T-MAX coating
Set clamps with screws	499C71	A-MAX coating
Guiding key with screws	499C63	WT-shear
		DOWT-shear
		2 PT-shear
		4 PT-shear
		Additional keyway
		Cutting part under 1,00 mm
SET OF COMPENSATING SHIMS FOR PUNCH		ADDITIONAL COSTS FOR PUNCH GUIDE
1x0,4 mm/1x0,8 mm/1x1,2 mm	499C1S1	Additional keyway
SET OF COMPENSATING SHIMS FOR DIE		ADDITIONAL COSTS FOR DIES
1x0,4 mm/1x0,8 mm/1x1,2 mm	499C2M1	H-PM® Quality
		Additional keyway

ps:®beta-V2® ABS I STATION C

DIAMETER UP TO 50,8 MM



GUIDE ASSEMBLY

Screw M12

Disc springs for sheet thickness up to 6 mm

Oil channel for sheet lubrication

10 mm length adjustment in assembled state by pressing the locking button

Keyway position: 0-90°

Surface-hardened and polished punch guide for sheet thickness up to 6 mm

Fast and easy clamping system for stripper

Suitable for PDC-system

PUNCH BODY

Thread M12 with oil channel for sheet lubrication

Punch body made with premium H-PM®

STRIPPER

Interchangeable stripper plate with oil channels

ps:®beta-V2® ABS I STATION C

DIAMETER UP TO 50,8 MM

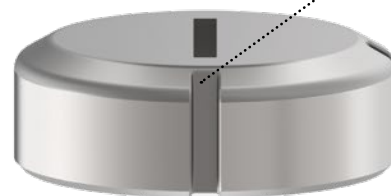
PART-NO.

GUIDE ASSEMBLY		
For all shapes		4039C01

PUNCH BODY (H-PM®)		
Round		4029C01
Square		4029C02
Rectangle		4029C03
Oblong		4029C04
O.D. Ground Special Shape		4029C0G
EDM Required Special Shape		4029C0E

STRIPPER		
Round		4049C01
Square		4049C02
Rectangle		4049C03
Oblong		4049C04
O.D. Ground Special Shape		4049C0G
EDM Required Special Shape		4049C0E

DIE (HWS)		
Round		4052C01
Square		4052C02
Rectangle		4052C03
Oblong		4052C04
O.D. Ground Special Shape		4052C0G
EDM Required Special Shape		4052C0E



Additional costs for die with keyway for PDC-system on request
Part-No.: „see left“ -2
(e.g.: 4052C04-2)

SPARE PARTS		ADDITIONAL COSTS FOR PUNCH	
PU ejector Ø 3x6 (in punch)	4092P03	TICN coating	
PU ejector Ø 6x10 (in punch)	4092P06	T-MAX coating	
		A-MAX coating	
		WT-shear	
		DOWT-shear	
		2 PT-shear	
		4 PT-shear	
		Additional keyway	
		Cutting part under 1,00 mm	

COMPENSATING SHIM FOR PUNCH		ADDITIONAL COSTS FOR PUNCH GUIDE	
Not necessary		Additional keyway	

SET OF COMPENSATING SHIMS FOR DIE		ADDITIONAL COSTS FOR DIES	
1x0,4 mm/1x0,8 mm/1x1,2 mm	499C2M1	H-PM® Quality	
		Additional keyway	

03/2023 -US-A.2 Version 5.0

ps:®beta-V2® ABS SLITTING TOOL | STATION C



GUIDE ASSEMBLY

Screw M12

Disc springs for sheet thickness up to 6 mm

Oil channel for sheet lubrication

10 mm length adjustment in assembled state by pressing the locking button

Keyway position: 0-90°

Surface-hardened and polished punch guide for sheet thickness up to 6 mm

Fast and easy clamping system for stripper

Suitable for PDC-system

SLITTING PUNCH HOLDER

2 fixing threads M6

Thread M12 with oil channel for sheet lubrication

SLITTING PUNCH

Punch body made with premium H-PM®

STRIPPER

Interchangeable stripper plate with oil channels

ps:®beta-V2® ABS SLITTING TOOL | STATION C

	PART-NO.
GUIDE ASSEMBLY	
For all shapes	4039C01
SLITTING PUNCH HOLDER	
For all shapes	4229CT00
SLITTING PUNCH (MAX. 6,35X50) / (H-PM®)	
Rectangle	4029CT03
Oblong	4029CT04
Trapezoid G09	4029CT0G
Double Trapezoid E03	4029CT0E
STRIPPER	
Rectangle	4049CT03
Oblong	4049CT04
Trapezoid G09	4049CT0G
Double Trapezoid E03	4049CT0E
REVERSIBLE PLATE HOLDER	
	4399CT00
REVERSIBLE PLATE (H-PM®)	
Rectangle	4052CT03
Oblong	4052CT04
Trapezoid G09	4052CT0G
Double Trapezoid E03	4052CT0E



Additional costs for die with keyway for PDC-system on request
Part-No.: „see left“ -2
(e.g.: 4399CT00-2)

SPARE PARTS		ADDITIONAL COSTS FOR PUNCH
PU ejector Ø 3x6 (in punch)	4092P03	TICN coating
PU ejector Ø 6x10 (in punch)	4092P06	T-MAX coating
		A-MAX coating
		WT-shear
		DOWT-shear
		2 PT-shear
		4 PT-shear
		Additional keyway
		Cutting part under 1,00 mm
COMPENSATING SHIM FOR SLITTING PUNCH HOLDER		ADDITIONAL COSTS FOR PUNCH GUIDE
Not necessary		Additional keyway
SET OF COMPENSATING SHIMS FOR REVERSIBLE PLATE		ADDITIONAL COSTS FOR DIES
1x0,4 mm/1x0,8 mm/1x1,2 mm	499CT60	Additional keyway

ps:® alpha-V2 ABS I STATION C

DIAMETER UP TO 50,8 MM



GUIDE ASSEMBLY

Screw M14

Disc springs for sheet thickness up to 6 mm

Oil channel for sheet lubrication

10 mm length adjustment in assembled state by pressing the locking button

Keyway position: 0-90°

Surface-hardened and polished punch guide for sheet thickness up to 6 mm

Suitable for PDC-system

PUNCH BODY

Thread M14 with oil channel for sheet lubrication

Punch body made with premium H-PM®

STRIPPER

Interchangeable stripper plate with oil channels

ps:® alpha-V2 ABS I STATION C

DIAMETER UP TO 50,8 MM

	PART-NO.
GUIDE ASSEMBLY	
For all shapes	4031C01
PUNCH BODY (H-PM®)	
Round	4021C01
Square	4021C02
Rectangle	4021C03
Oblong	4021C04
O.D. Ground Special Shape	4021C0G
EDM Required Special Shape	4021C0E
STRIPPER	
Round	4041C01
Square	4041C02
Rectangle	4041C03
Oblong	4041C04
O.D. Ground Special Shape	4041C0G
EDM Required Special Shape	4041C0E
DIE (HWS)	
Round	4052C01
Square	4052C02
Rectangle	4052C03
Oblong	4052C04
O.D. Ground Special Shape	4052C0G
EDM Required Special Shape	4052C0E



Additional costs for die with keyway for PDC-system on request
Part-No.: „see left“ -2 (e.g.: 4052C04-2)

SPARE PARTS		ADDITIONAL COSTS FOR PUNCH
PU ejector Ø 3x6 (in punch)	4092P03	TICN coating
PU ejector Ø 6x10 (in punch)	4092P06	T-MAX coating
		A-MAX coating
		WT-shear
		DOWT-shear
		2 PT-shear
		4 PT-shear
		Additional keyway
		Cutting part under 1,00 mm
COMPENSATING SHIM FOR PUNCH		
Not necessary		
SET OF COMPENSATING SHIMS FOR DIE		ADDITIONAL COSTS FOR DIES
1x0,4 mm/1x0,8 mm/1x1,2 mm	499C2M1	H-PM® Quality
		Additional keyway

PASS STANDARD I STATION D

DIAMETER UP TO 88,9 MM



GUIDE ASSEMBLY

Screw M12

Disc springs for sheet thickness up to 6 mm

3 mm length adjustment
by using compensating shims

Keyway position: 0-90°

Surface-hardened and polished punch guide for
sheet thickness up to 6 mm

Clamps to fix the strippers

PUNCH BODY

Thread M12

Punch body made with premium H-PM®

STRIPPER

Interchangeable stripper plate

PASS STANDARD I STATION D

DIAMETER UP TO 88,9 MM

PART NO.

GUIDE ASSEMBLY	
For all shapes	499D01

PUNCH BODY (H-PM®)	
Round	4022D01
Square	4022D02
Rectangle	4022D03
Oblong	4022D04
O.D. Ground Special Shape	4022D0G
EDM Required Special Shape	4022D0E

STRIPPER	
Round	4032D01
Square	4032D02
Rectangle	4032D03
Oblong	4032D04
O.D. Ground Special Shape	4032D0G
EDM Required Special Shape	4032D0E

DIE (HWS)	
Round	4052D01
Square	4052D02
Rectangle	4052D03
Oblong	4052D04
O.D. Ground Special Shape	4052D0G
EDM Required Special Shape	4052D0E



SPARE PARTS		ADDITIONAL COSTS FOR PUNCH	
PU ejector Ø 3x6 (in punch)	4092P03	TICN coating	
PU ejector Ø 6x10 (in punch)	4092P06	T-MAX coating	
Set clamps with screws	499D71	A-MAX coating	
Guiding key with screws	499D63	WT-shear	
		DOWT-shear	
		2 PT-shear	
		4 PT-shear	
		Additional keyway	
		Cutting part under 1,00 mm	
SET OF COMPENSATING SHIMS FOR PUNCH		ADDITIONAL COSTS FOR PUNCH GUIDE	
1x0,4 mm/1x0,8 mm/1x1,2 mm	499D3S1	Additional keyway	
SET OF COMPENSATING SHIMS FOR DIE		ADDITIONAL COSTS FOR DIES	
1x0,4 mm/1x0,8 mm/1x1,2 mm	499D2M1	H-PM® Quality	
		Additional keyway	

ps:®beta-V2® ABS I STATION D

DIAMETER UP TO 88,9 MM



GUIDE ASSEMBLY

Screw M12

Disc springs for sheet thickness up to 6 mm

Oil channel for sheet lubrication

10 mm length adjustment in assembled state by pressing the locking button

Keyway position: 0-90°

Surface-hardened and polished punch guide for sheet thickness up to 6 mm

Fast and easy clamping system for stripper

Suitable for PDC-system

PUNCH BODY

Thread M12 with oil channel for sheet lubrication

Punch body made with premium H-PM®

STRIPPER

Interchangeable stripper plate with oil channels

ps:®beta-V2® ABS I STATION D

DIAMETER UP TO 88,9 MM

	PART-NO.
GUIDE ASSEMBLY	
For all shapes	4039D01
PUNCH BODY (H-PM®)	
Round	4029D01
Square	4029D02
Rectangle	4029D03
Oblong	4029D04
O.D. Ground Special Shape	4029D0G
EDM Required Special Shape	4029D0E
STRIPPER	
Round	4049D01
Square	4049D02
Rectangle	4049D03
Oblong	4049D04
O.D. Ground Special Shape	4049D0G
EDM Required Special Shape	4049D0E
DIE (HWS)	
Round	4052D01
Square	4052D02
Rectangle	4052D03
Oblong	4052D04
O.D. Ground Special Shape	4052D0G
EDM Required Special Shape	4052D0E



SPARE PARTS		ADDITIONAL COSTS FOR PUNCH
PU ejector Ø 3x6 (in punch)	4092P03	TICN coating
PU ejector Ø 6x10 (in punch)	4092P06	T-MAX coating
		A-MAX coating
		WT-shear
		DOWT-shear
		2 PT-shear
		4 PT-shear
		Additional keyway
		Cutting part under 1,00 mm
COMPENSATING SHIM FOR PUNCH		ADDITIONAL COSTS FOR PUNCH GUIDE
Not necessary		Additional keyway
SET OF COMPENSATING SHIMS FOR DIE		ADDITIONAL COSTS FOR DIES
1x0,4 mm/1x0,8 mm/1x1,2 mm	499D2M1	H-PM® Quality
		Additional keyway

ps:®beta-V2® ABS SLITTING TOOL | STATION D



GUIDE ASSEMBLY

Screw M12

Disc springs for sheet thickness up to 6 mm

Oil channel for sheet lubrication

10 mm length adjustment in assembled state by pressing the locking button

Keyway position: 0-90°

Surface-hardened and polished punch guide for sheet thickness up to 6 mm

Fast and easy clamping system for stripper

Suitable for PDC-system



SLITTING PUNCH HOLDER

4 fixing threads M6

Thread M12 with oil channel for sheet lubrication

SLITTING PUNCH

Punch body made with premium H-PM®

STRIPPER

Interchangeable stripper plate with oil channels

ps:®beta-V2® ABS SLITTING TOOL | STATION D

	PART NO.
GUIDE ASSEMBLY	
For all shapes	4039D01
SLITTING PUNCH HOLDER	
For all shapes	4229DT00
SLITTING PUNCH (MAX. 6,35X85) / (H-PM®)	
Rectangle	4029DT03
Oblong	4029DT04
Trapezoid G09	4029DT0G
Double Trapezoid E03	4029DT0E
STRIPPER	
Rectangle	4049DT03
Oblong	4049DT04
Trapezoid G09	4049DT0G
Double Trapezoid E03	4049DT0E
REVERSIBLE PLATE HOLDER	
	4399DT00
REVERSIBLE PLATE (H-PM®)	
Rectangle	4052DT03
Oblong	4052DT04
Trapezoid G09	4052DT0G
Double Trapezoid E03	4052DT0E



SPARE PARTS		ADDITIONAL COSTS FOR PUNCH
PU ejector Ø 3x6 (in punch)	4092P03	TICN coating
PU ejector Ø 6x10 (in punch)	4092P06	T-MAX coating
		A-MAX coating
		WT-shear
		DOWT-shear
		2 PT-shear
		4 PT-shear
		Additional keyway
		Cutting part under 1,00 mm
COMPENSATING SHIM FOR SLITTING PUNCH HOLDER		ADDITIONAL COSTS FOR PUNCH GUIDE
Not necessary		Additional keyway
SET OF COMPENSATING SHIMS FOR REVERSIBLE PLATE		ADDITIONAL COSTS FOR DIES
1x0,4 mm/1x0,8 mm/1x1,2 mm	499DT60	Additional keyway

ps:®beta-V2® ABS SLITTING TOOL | STATION D CLOSE TO CLAMP



GUIDE ASSEMBLY

Screw M12

Disc springs for sheet thickness up to 6 mm

Oil channel for sheet lubrication

10 mm length adjustment in assembled state by pressing the locking button

Keyway position: 0-90°

Surface-hardened and polished punch guide for sheet thickness up to 6 mm

Fast and easy clamping system for stripper

Suitable for PDC-system



SLITTING PUNCH HOLDER

4 fixing threads M6

Thread M12 with oil channel for sheet lubrication

SLITTING PUNCH

Punch body made with premium H-PM®



STRIPPER

Interchangeable stripper plate with oil channels

One or two-sided relief for punching close to clamp

ps:®beta-V2® ABS SLITTING TOOL | STATION D

CLOSE TO CLAMP

	PART-NO.
GUIDE ASSEMBLY	
For all shapes	4039DTP01
SLITTING PUNCH HOLDER	
For all shapes	4229DT00
SLITTING PUNCH (MAX. 6,35X85) / (H-PM®)	
Rectangle	4029DT03
Oblong	4029DT04
Trapezoid G09	4029DT0G
Double Trapezoid E03	4029DT0E
STRIPPER ONE-SIDED FREE	
Rectangle	4049DTP03-1
Oblong	4049DTP04-1
Trapezoid G09	4049DTP0G-1
Double Trapezoid E03	4049DTP0E-1
STRIPPER TWO-SIDED FREE	
Rectangle	4049DTP03-2
Oblong	4049DTP04-2
Trapezoid G09	4049DTP0G-2
Double Trapezoid E03	4049DTP0E-2
DIE ONE-SIDED FREE (HWS)	
Rectangle	4052DTP03-1
Oblong	4052DTP04-1
Trapezoid G09	4052DTP0G-1
Double Trapezoid E03	4052DTP0E-1
DIE TWO-SIDED FREE (HWS)	
Rectangle	4052DTP03-2
Oblong	4052DTP04-2
Trapezoid G09	4052DTP0G-2
Double Trapezoid E03	4052DTP0E-2



SPARE PARTS		ADDITIONAL COSTS FOR PUNCH	
PU ejector Ø 3x6 (in punch)	4092P03	TICN coating	
PU ejector Ø 6x10 (in punch)	4092P06	T-MAX coating	
		A-MAX coating	
		WT-shear	
		DOWT-shear	
		2 PT-shear	
		4 PT-shear	
		Additional keyway	
		Cutting part under 1,00 mm	
SET OF COMPENSATING SHIMS FOR SLITTING PUNCH HOLDER		ADDITIONAL COSTS FOR PUNCH GUIDE	
Not necessary		Additional keyway	
SET OF COMPENSATING SHIMS FOR DIE		ADDITIONAL COSTS FOR DIES	
1x0,4 mm/1x0,8 mm/1x1,2 mm	499D2M1	H-PM® Quality	
		Additional keyway	

ps:® alpha-V2 ABS I STATION D

DIAMETER UP TO 88,9 MM



GUIDE ASSEMBLY

Screw M14

Disc springs for sheet thickness up to 6 mm

Oil channel for sheet lubrication

10 mm length adjustment in assembled state by pressing the locking button

Keyway position: 0-90°

Surface-hardened and polished punch guide for sheet thickness up to 6 mm

Suitable for PDC-system

PUNCH BODY

Thread M14 with oil channel for sheet lubrication

Punch body made with premium H-PM®

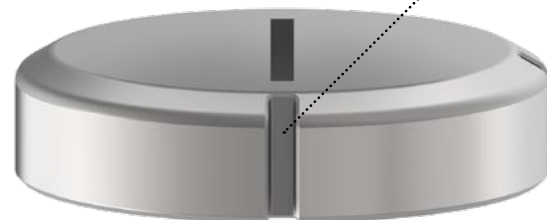
STRIPPER

Interchangeable stripper plate with oil channels

ps:® alpha-V2 ABS I STATION D

DIAMETER UP TO 88,9 MM

	PART-NO.
GUIDE ASSEMBLY	
For all shapes	4031D01
PUNCH BODY (H-PM®)	
Round	4021D01
Square	4021D02
Rectangle	4021D03
Oblong	4021D04
O.D. Ground Special Shape	4021D0G
EDM Required Special Shape	4021D0E
STRIPPER	
Round	4041D01
Square	4041D02
Rectangle	4041D03
Oblong	4041D04
O.D. Ground Special Shape	4041D0G
EDM Required Special Shape	4041D0E
DIE (HWS)	
Round	4052D01
Square	4052D02
Rectangle	4052D03
Oblong	4052D04
O.D. Ground Special Shape	4052D0G
EDM Required Special Shape	4052D0E



Additional costs for die with keyway for PDC-system on request
Part-No.: „see left“ -2 (e.g.: 4052D04-2)

SPARE PARTS		ADDITIONAL COSTS FOR PUNCH
PU ejector Ø 3x6 (in punch)	4092P03	TICN coating
PU ejector Ø 6x10 (in punch)	4092P06	T-MAX coating
		A-MAX coating
		WT-shear
		DOWT-shear
		2 PT-shear
		4 PT-shear
		Additional keyway
		Cutting part under 1,00 mm
COMPENSATING SHIM FOR PUNCH		
Not necessary		
SET OF COMPENSATING SHIMS FOR DIE		ADDITIONAL COSTS FOR DIES
1x0,4 mm/1x0,8 mm/1x1,2 mm	499D2M1	H-PM® Quality
		Additional keyway

PASS STANDARD | STATION E

DIAMETER UP TO 114,3 MM



GUIDE ASSEMBLY

Screw M12

Disc springs for sheet thickness up to 6 mm

3 mm length adjustment
by using compensating shims

Keyway position: 0-90°

Surface-hardened and polished punch guide for
sheet thickness up to 6 mm

Clamps to fix the strippers



PUNCH BODY

Thread M12

Punch body made with premium H-PM®



STRIPPER

Interchangeable stripper plate

PASS STANDARD I STATION E

DIAMETER UP TO 114,3 MM

PART NO.

GUIDE ASSEMBLY	
For all shapes	499E01

PUNCH BODY (H-PM®)	
Round	4022E01
Square	4022E02
Rectangle	4022E03
Oblong	4022E04
O.D. Ground Special Shape	4022E0G
EDM Required Special Shape	4022E0E

STRIPPER	
Round	4032E01
Square	4032E02
Rectangle	4032E03
Oblong	4032E04
O.D. Ground Special Shape	4032E0G
EDM Required Special Shape	4032E0E

DIE (HWS)	
Round	4052E01
Square	4052E02
Rectangle	4052E03
Oblong	4052E04
O.D. Ground Special Shape	4052E0G
EDM Required Special Shape	4052E0E



SPARE PARTS		ADDITIONAL COSTS FOR PUNCH	
PU ejector Ø 3x6 (in punch)	4092P03	TICN coating	
PU ejector Ø 6x10 (in punch)	4092P06	T-MAX coating	
Set clamps with screws	499E71	A-MAX coating	
Guiding key with screws	499E63	WT-shear	
		DOWT-shear	
		2 PT-shear	
		4 PT-shear	
		Additional keyway	
		Cutting part under 1,00 mm	
SET OF COMPENSATING SHIMS FOR PUNCH		ADDITIONAL COSTS FOR PUNCH GUIDE	
1x0,4 mm/1x0,8 mm/1x1,2 mm	499E3S1	Additional keyway	
SET OF COMPENSATING SHIMS FOR DIE		ADDITIONAL COSTS FOR DIES	
1x0,4 mm/1x0,8 mm/1x1,2 mm	499E2M1	H-PM® Quality	
		Additional keyway	

ps:®beta-V2® ABS I STATION E

DIAMETER UP TO 114,3 MM



GUIDE ASSEMBLY

Screw M12

Disc springs for sheet thickness up to 6 mm

Oil channel for sheet lubrication

10 mm length adjustment in assembled state by pressing the locking button

Keyway position: 0-90°

Surface-hardened and polished punch guide for sheet thickness up to 6 mm

Fast and easy clamping system for stripper

Suitable for PDC-system



PUNCH BODY

Thread M12 with oil channel for sheet lubrication

Punch body made with premium H-PM®



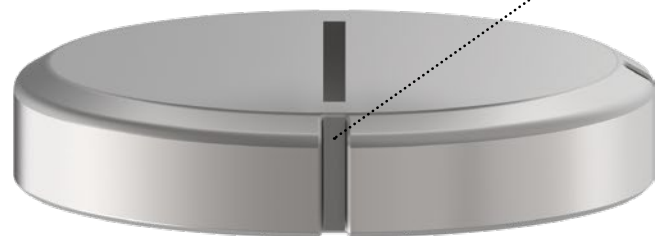
STRIPPER

Interchangeable stripper plate with oil channels

ps:®beta-V2® ABS I STATION E

DIAMETER UP TO 114,3 MM

	PART-NO.
GUIDE ASSEMBLY	
For all shapes	4039E01
PUNCH BODY (H-PM®)	
Round	4029E01
Square	4029E02
Rectangle	4029E03
Oblong	4029E04
O.D. Ground Special Shape	4029E0G
EDM Required Special Shape	4029E0E
STRIPPER	
Round	4049E01
Square	4049E02
Rectangle	4049E03
Oblong	4049E04
O.D. Ground Special Shape	4049E0G
EDM Required Special Shape	4049E0E
DIE (HWS)	
Round	4052E01
Square	4052E02
Rectangle	4052E03
Oblong	4052E04
O.D. Ground Special Shape	4052E0G
EDM Required Special Shape	4052E0E



Additional costs for die with keyway for PDC-system on request
Part-No.: „see left“ -2
(e.g.: 4052E04-2)

SPARE PARTS		ADDITIONAL COSTS FOR PUNCH
PU ejector Ø 3x6 (in punch)	4092P03	TICN coating
PU ejector Ø 6x10 (in punch)	4092P06	T-MAX coating
		A-MAX coating
		WT-shear
		DOWT-shear
		2 PT-shear
		4 PT-shear
		Additional keyway
		Cutting part under 1,00 mm
COMPENSATING SHIM FOR PUNCH		ADDITIONAL COSTS FOR PUNCH GUIDE
Not necessary		Additional keyway
SET OF COMPENSATING SHIMS FOR DIE		ADDITIONAL COSTS FOR DIES
1x0,4 mm/1x0,8 mm/1x1,2 mm	499E2M1	H-PM® Quality
		Additional keyway

ps:®beta-V2® ABS SLITTING TOOL | STATION E



GUIDE ASSEMBLY

Screw M12

Disc springs for sheet thickness up to 6 mm

Oil channel for sheet lubrication

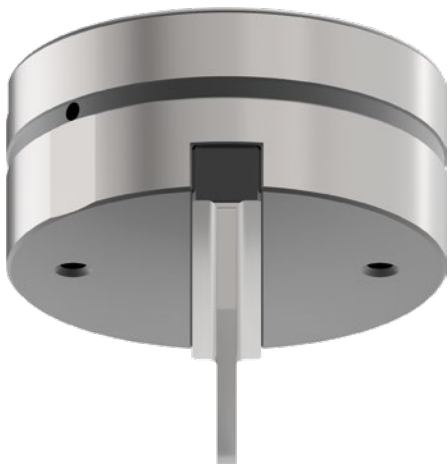
10 mm length adjustment in assembled state by pressing the locking button

Keyway position: 0-90°

Surface-hardened and polished punch guide for sheet thickness up to 6 mm

Fast and easy clamping system for stripper

Suitable for PDC-system



SLITTING PUNCH HOLDER

4 fixing threads M6

Thread M12 with oil channel for sheet lubrication

SLITTING PUNCH

Punch body made with premium H-PM®



STRIPPER

Interchangeable stripper plate with oil channels

ps:®beta-V2® ABS SLITTING TOOL | STATION E

	PART NO.
GUIDE ASSEMBLY	
For all shapes	4039E01
SLITTING PUNCH HOLDER	
For all shapes	4229ET00
SLITTING PUNCH (MAX. 6,35X111) / (H-PM®)	
Rectangle	4029ET03
Oblong	4029ET04
Trapezoid G09	4029ET0G
Double Trapezoid E03	4029ET0E
STRIPPER	
Rectangle	4049ET03
Oblong	4049ET04
Trapezoid G09	4049ET0G
Double Trapezoid E03	4049ET0E
REVERSIBLE PLATE HOLDER	
	4399ET00
REVERSIBLE PLATE (H-PM®)	
Rectangle	4052ET03
Oblong	4052ET04
Trapezoid G09	4052ET0G
Double Trapezoid E03	4052ET0E



Additional costs for die with keyway for PDC-system on request
Part-No.: „see left“ -2
(e.g.: 4399ET00-2)

SPARE PARTS		ADDITIONAL COSTS FOR PUNCH
PU ejector Ø 3x6 (in punch)	4092P03	TICN coating
PU ejector Ø 6x10 (in punch)	4092P06	T-MAX coating
		A-MAX coating
		WT-shear
		DOWT-shear
		2 PT-shear
		4 PT-shear
		Additional keyway
		Cutting part under 1,00 mm
SET OF COMPENSATING SHIMS FOR SLITTING PUNCH HOLDER		ADDITIONAL COSTS FOR PUNCH GUIDE
Not necessary		Additional keyway
SET OF COMPENSATING SHIMS FOR REVERSIBLE PLATE		ADDITIONAL COSTS FOR DIES
1x0,4 mm/1x0,8 mm/1x1,2 mm	499ET60	Additional keyway

ps:®beta-V2® ABS SLITTING TOOL | STATION E CLOSE TO CLAMP



GUIDE ASSEMBLY

Screw M12

Disc springs for sheet thickness up to 6 mm

Oil channel for sheet lubrication

10 mm length adjustment in assembled state by pressing the locking button

Keyway position: 0-90°

Surface-hardened and polished punch guide for sheet thickness up to 6 mm

Fast and easy clamping system for stripper

Suitable for PDC-system



SLITTING PUNCH HOLDER

4 fixing threads M6

Thread M12 with oil channel for sheet lubrication

SLITTING PUNCH

Punch body made with premium H-PM®



STRIPPER

Interchangeable stripper plate

One or two-sided relief for punching close to clamp

ps:®beta-V2® ABS SLITTING TOOL | STATION E CLOSE TO CLAMP

	PART NO.
GUIDE ASSEMBLY	
For all shapes	4039ETP01
SLITTING PUNCH HOLDER	
For all shapes	4229ET00
SLITTING PUNCH (MAX. 6,35X111) / (H-PM®)	
Rectangle	4029ET03
Oblong	4029ET04
Trapezoid G09	4029ET0G
Double Trapezoid E03	4029ET0E
STRIPPER ONE-SIDED FREE	
Rectangle	4049ETP03-1
Oblong	4049ETP04-1
Trapezoid G09	4049ETP0G-1
Double Trapezoid E03	4049ETP0E-1
STRIPPER TWO-SIDED FREE	
Rectangle	4049ETP03-2
Oblong	4049ETP04-2
Trapezoid G09	4049ETP0G-2
Double Trapezoid E03	4049ETP0E-2
DIE ONE-SIDED FREE (HWS)	
Rectangle	4052ETP03-1
Oblong	4052ETP04-1
Trapezoid G09	4052ETP0G-1
Double Trapezoid E03	4052ETP0E-1
DIE TWO-SIDED FREE (HWS)	
Rectangle	4052ETP03-2
Oblong	4052ETP04-2
Trapezoid G09	4052ETP0G-2
Double Trapezoid E03	4052ETP0E-2



Additional costs for die with keyway for PDC-system on request
Part-No.: „see left“ -2 (e.g.: 4052ETP04-2-2)



SPARE PARTS	
PU ejector Ø 3x6 (in punch)	4092P03
PU ejector Ø 6x10 (in punch)	4092P06

ADDITIONAL COSTS FOR PUNCH
TICN coating
T-MAX coating
A-MAX coating
WT-shear
DOWT-shear
2 PT-shear
4 PT-shear
Additional keyway
Cutting part under 1,00 mm

COMPENSATING SHIM FOR SLITTING PUNCH HOLDER	
Not necessary	

ADDITIONAL COSTS FOR PUNCH GUIDE
Additional keyway

SET OF COMPENSATING SHIMS FOR DIE	
1x0,4 mm/1x0,8 mm/1x1,2 mm	499E2M1

ADDITIONAL COSTS FOR DIES
H-PM® Quality
Additional keyway

ps:® alpha-V2 ABS | STATION E

DIAMETER UP TO 114,3 MM



GUIDE ASSEMBLY

Screw M14

Disc springs for sheet thickness up to 6 mm

Oil channel for sheet lubrication

10 mm length adjustment in assembled state by pressing the locking button

Keyway position: 0-90°

Surface-hardened and polished punch guide for sheet thickness up to 6 mm

Suitable for PDC-system



PUNCH BODY

Thread M14 with oil channel for sheet lubrication

Punch body made with premium H-PM®



STRIPPER

Interchangeable stripper plate with oil channels

ps:®alpha-V2 ABS | STATION E

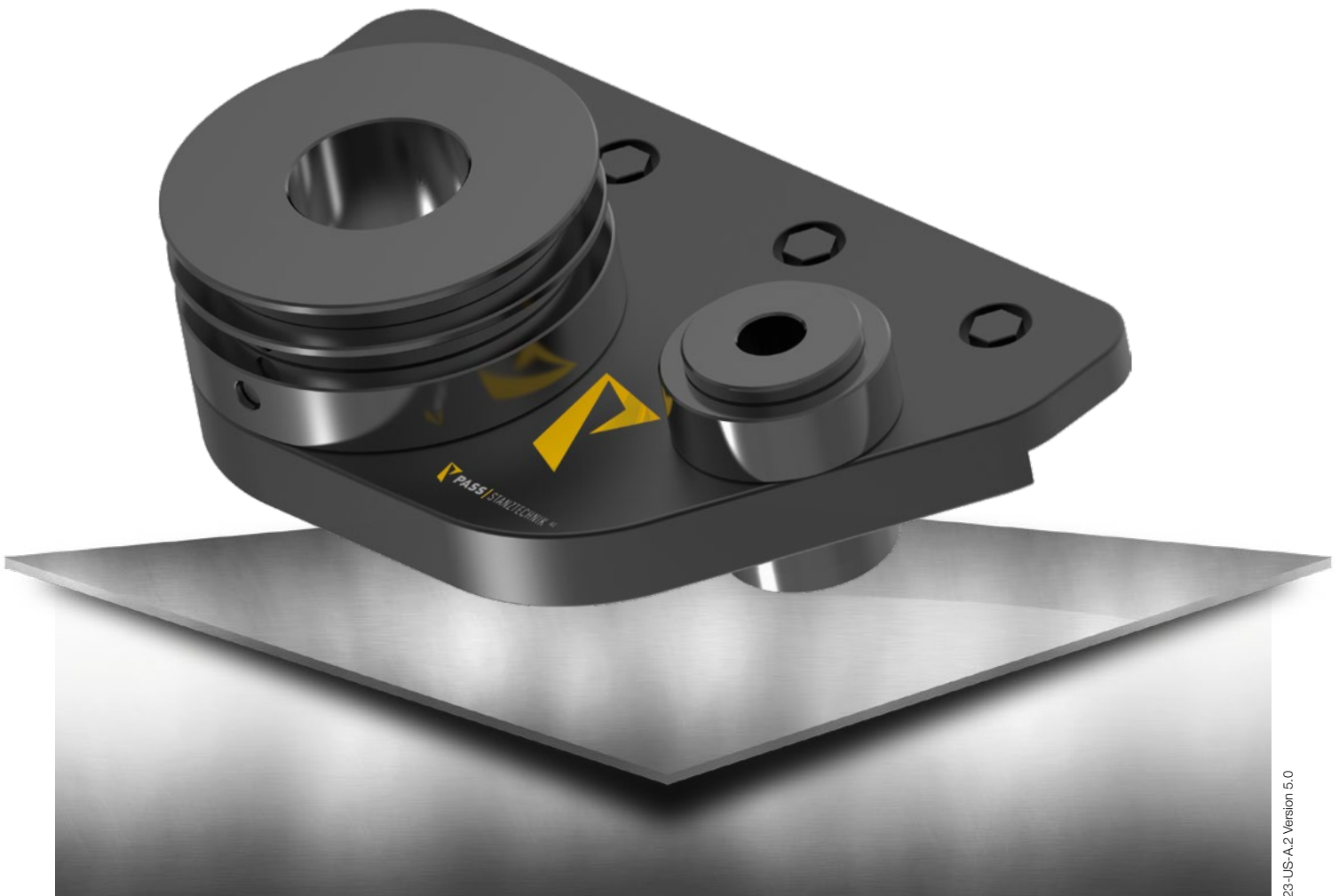
DIAMETER UP TO 114,3 MM

	PART NO.
GUIDE ASSEMBLY	
For all shapes	4031E01
PUNCH BODY (H-PM®)	
Round	4021E01
Square	4021E02
Rectangle	4021E03
Oblong	4021E04
O.D. Ground Special Shape	4021E0G
EDM Required Special Shape	4021E0E
STRIPPER	
Round	4041E01
Square	4041E02
Rectangle	4041E03
Oblong	4041E04
O.D. Ground Special Shape	4041E0G
EDM Required Special Shape	4041E0E
DIE (HWS)	
Round	4052E01
Square	4052E02
Rectangle	4052E03
Oblong	4052E04
O.D. Ground Special Shape	4052E0G
EDM Required Special Shape	4052E0E



Additional costs for die with keyway for PDC-system on request
Part-No.: „see left“ -2
(e.g.: 4052E04-2)

SPARE PARTS		ADDITIONAL COSTS FOR PUNCH
PU ejector Ø 3x6 (in punch)	4092P03	TICN coating
PU ejector Ø 6x10 (in punch)	4092P06	T-MAX coating
		A-MAX coating
		WT-shear
		DOWT-shear
		2 PT-shear
		4 PT-shear
		Additional keyway
		Cutting part under 1,00 mm
COMPENSATING SHIM FOR PUNCH		
Not necessary		
SET OF COMPENSATING SHIMS FOR DIE		ADDITIONAL COSTS FOR DIES
1x0,4 mm/1x0,8 mm/1x1,2 mm	499E2M1	H-PM® Quality
		Additional keyway



ACCESSORIES

PASS ACCESSORIES FOR YOUR AMADA SYSTEM

INDEX

ps:® assembly-element	page 60
PASS assembling set	page 61
PASS adapter	page 62
PASS dies	page 63

STATION A



STATION B



STATION C



STATION D



STATION E



PARTNO.

SOCKET SET INCL. BASE PLATE

Set consists of: 5 sockets (Stat. A-E) +
1 base plate

499M18000

EQUIPPED BASE PLATE

PASS ASSEMBLING SET

FOR PASS GUIDE ASSEMBLY STAT. C, D, E

PART-NO.

COMPLETE ASSEMBLING SET

Torque wrench / 25-130 Nm

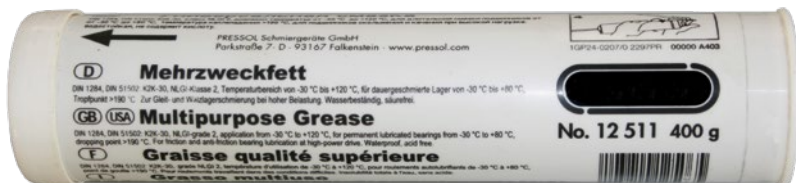
incl. 4 socket wrench
SW 8 / SW10 / SW 12 / SW 14

Multipurpose grease 400 gr.

Triangular whetstone

Diamond needle file with quick-acting clamp

Total price 499MONKIT



PASS ADAPTER

PUNCH ADAPTER

Surface-hardened and polished



DIE ADAPTER

Surface-hardened and polished

2 clamping screws



	STATION	PART NO.
PASS ADAPTER		
Punch adapter	B/A	401BAS1
Die adapter ⁽³⁾	B/A	401BAM1
Punch adapter	C/B	401CBS1
Die adapter ⁽¹⁾⁽³⁾	C/B	401CBM1
Punch adapter	D/A	401DAS1
Die adapter ⁽³⁾	D/A	401DAM1
Punch adapter	D/B	401DBS1
Die adapter ⁽³⁾	D/B	401DBM1
Punch adapter	D/C	401DCS1
Die adapter ⁽¹⁾⁽²⁾⁽³⁾	D/C	401DCM1

⁽¹⁾ max. stamping and punching force: 70kn

⁽²⁾ assembled die is 2 mm above table level

⁽³⁾ height h = 26 mm

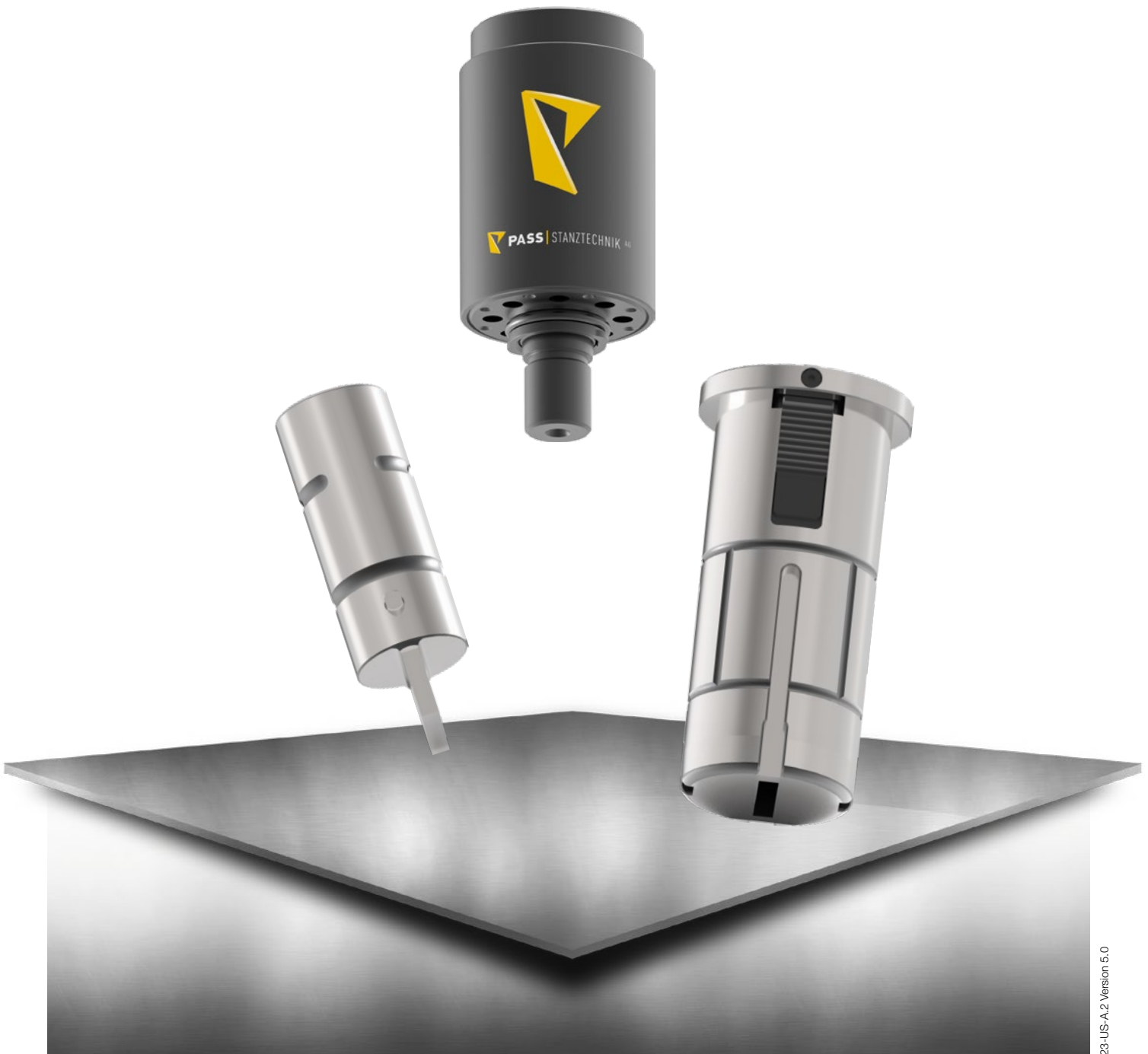
PASS DIES WITH BRUSH INSERTS

	STATION	PARTNO.
PASS DIES WITH BRUSH INSERTS		
1x Ø13	A	441711A01
3x Ø13	B	441711B01
7x Ø13	C	441711C01
19x Ø13	D	441711D01
35x Ø13	E	441711E01



SPARE PARTS

Brush inserts Ø 13 mm (piece) 200B00



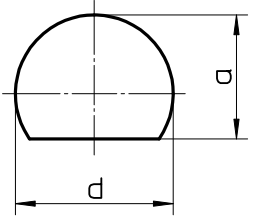
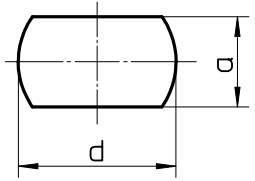
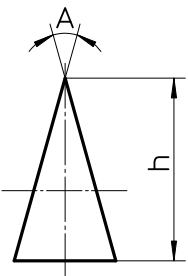
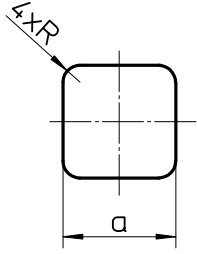
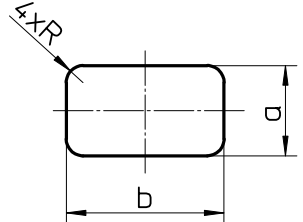
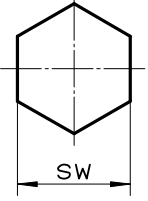
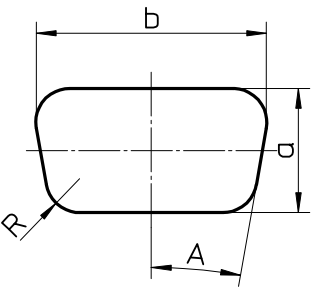
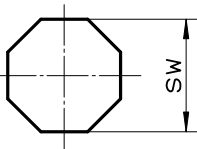
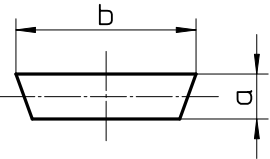
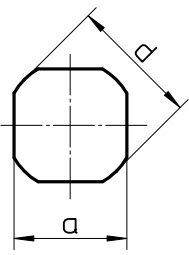
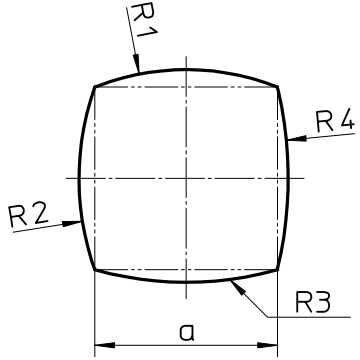
TECHNICAL INFORMATION

INFORMATION ABOUT OUR TOOLS FOR YOUR AMADA SYSTEM

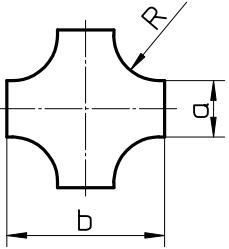
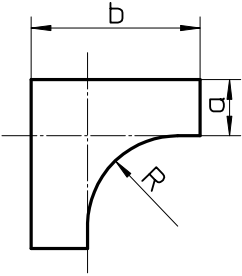
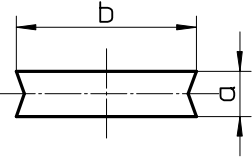
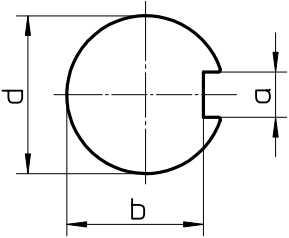
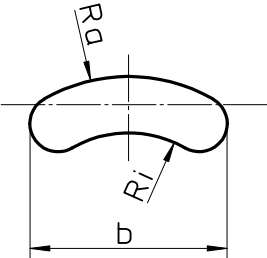
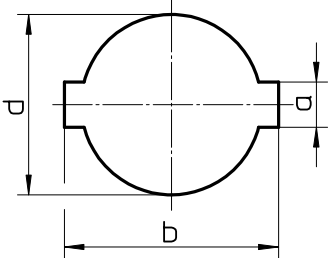
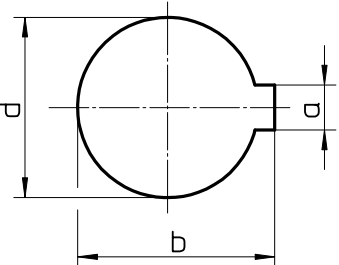
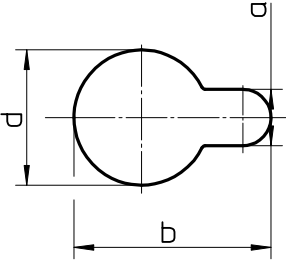
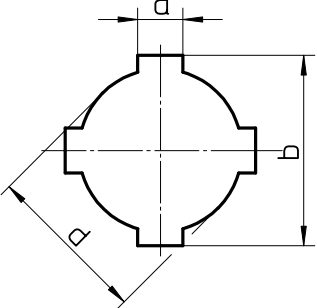
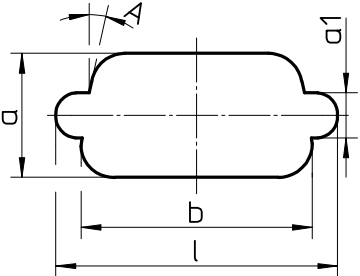
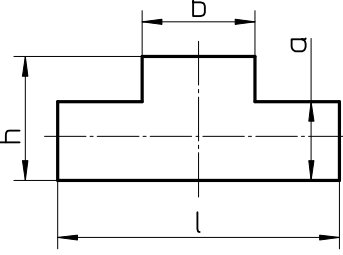
INDEX

O.D. Ground Special Shapes	page 66
EDM Required Special Shapes	page 67
PASS tool variety	page 68
Lifetime of tools regrind advice	page 69
PASS coating versions / draw-polishing	page 70
Die versions	page 71
Punches with different shear types	page 72
PASS back taper on punches	page 73
PASS corner radius on punches	page 74
PASS punches with reinforced shoulder	page 75

O.D. GROUND SPECIAL SHAPES

 <p>G01</p>	 <p>G02</p>	 <p>G03</p>
 <p>G04</p>	 <p>G05</p>	 <p>G06</p>
 <p>G07</p>	 <p>G08</p>	 <p>G09</p>
 <p>G10</p>	 <p>G11</p>	

EDM REQUIRED SPECIAL SHAPES

 <p>E01</p>	 <p>E02</p>	 <p>E03</p>
 <p>E04</p>	 <p>E05</p>	 <p>E06</p>
 <p>E07</p>	 <p>E08</p>	 <p>E09</p>
 <p>E10</p>	 <p>E11</p>	

PASS TOOL VARIETY

HWS

HWS tools are made of a secondary hardened cold work steel with superior toughness. This type of steel is especially suitable for dies.

Advantages for customer:

- excellent cost in accordance to performance

H-PM®

H-PM® tools are produced with steel made on powder-metallurgical base with a high degree of purity.

This guarantees a segregational uniformed microstructure in the complete cross-section of the tool.

Advantage for customer:

- excellent cost in accordance to performance
- good stability for edges by increased toughness
- high tool lifetime due to the uniformed microstructure
- increased current hit-flex-capability; suitable as an excellent base for dies

X3-PM

The X3-PM tools are made of a high-end powder-metallurgical steel with the best possible performance characteristics for punches in the punching technology due to the best possible degree of purity.

The segregational uniformed microstructure with high vanadium concentration in the complete cross-section of the punch guarantees best possible wear resistance regarding tool lifetime.

Advantage for customer:

- best efficiency by multiple increase of the punch hit count
- best possible stability for cutting edges
- extremely high abrasion resistance
- utmost compressive strength

X8-PM

The X8-PM tools are made of a high-end powder-metallurgical steel the best possible performance characteristics for dies in the punching technology caused by best possible degree of purity.

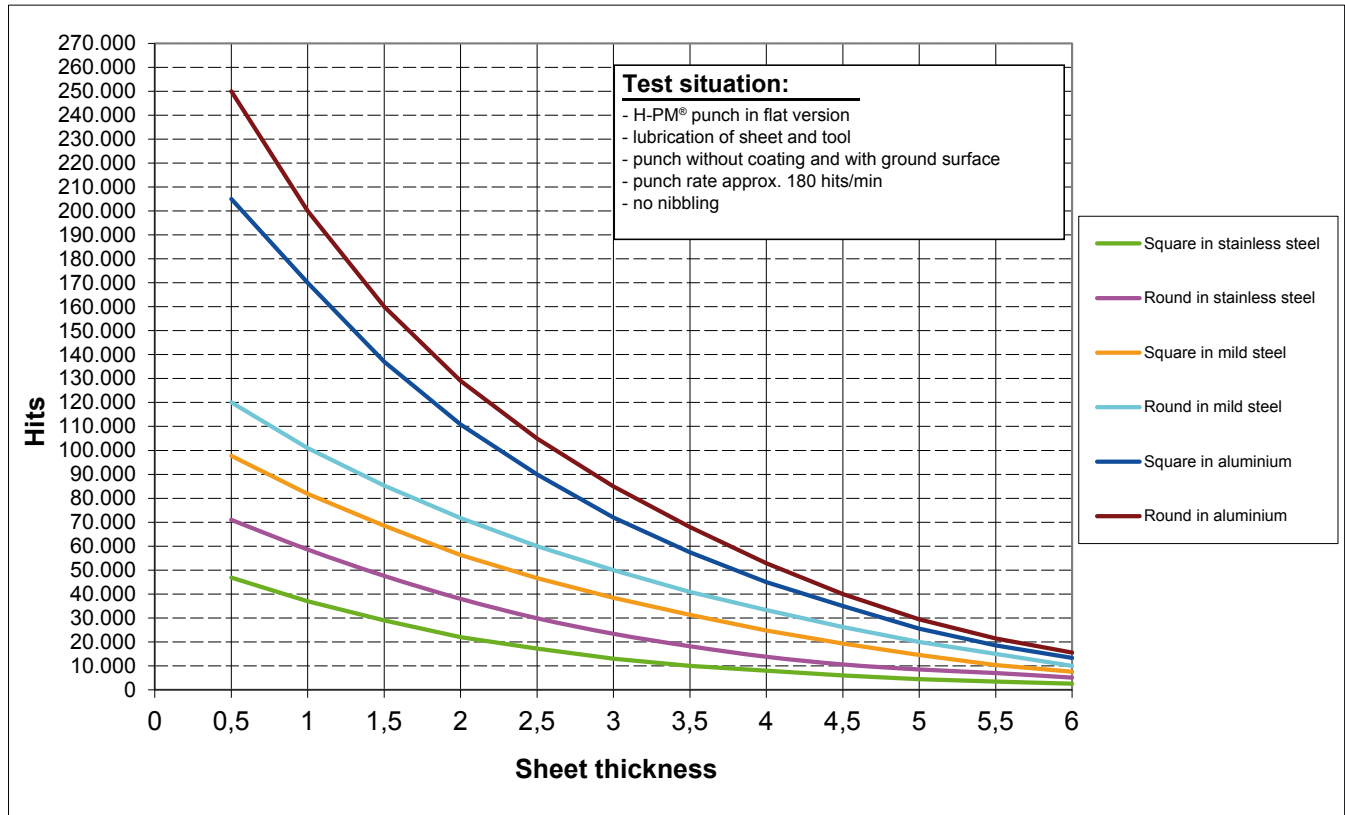
The high ductility of the segregational uniformed microstructure guarantees best possible fatigue limit. This kind of steel is especially suitable for dies with risk-breakage in regard to special shapes.

Advantage for customer:

- best possible absorption of hit-flex stress; prevents fatigue breakage
- high abrasion resistance

LIFETIME OF TOOLS | REGRIND ADVICE

PASS punches and dies are made of high-end special steel in order to guarantee best lifetime of tools together with high robustness.



INFLUENCING FACTORS	FACTOR
Galvanised steel / stainless steel with foil / aluminium anodised	0,5 - 0,8
No sheet lubrication	0,4 - 0,6
Punch coating (TiCN for stainless steel / T-MAX for galvanised steel / A-MAX for aluminium)	2,0 - 4,0
PASS X3-PM punch	6,0 - 10,0
Nibbling	0,7 - 0,9
Notching	0,5 - 0,7
Shear	0,8 - 0,9
Punching rate > 300 hits / min.	0,8 - 0,9
Cutting part with EDM surface	0,4 - 0,8
Cutting part with polished surface	1,5 - 3,0
Cutting part smaller than 1,5x sheet thickness	0,6 - 0,8
Cutting part smaller than 1,0x sheet thickness	0,3 - 0,5
Using of a too small clearance	0,4 - 0,9

An average decrease of the tool life of 5 - 10% per regrind has to be taken in account for the first regrind.

PASS COATING VERSIONS / DRAW-POLISHING

TO REDUCE MATERIAL BUILD-UP

H-PM® tools are produced with steel made on powder-metallurgical base with a high degree of purity to fulfill the highest punching demands.

Furthermore we attach great importance to a high quality hardening process by repeated temporing and deep-freeze subsequently.

This process guarantees an extremely high hardness with an outstanding wear resistance of our punching tools.

Associated with modern production methods (grinding of the cutting edges with special grinding wheels) we can ensure that the wide range of different sheet qualities can be punched up to 1.600 N/mm² – no matter if it concerns mild alloyed aluminium, mild steel, stainless steel or spring band steel.

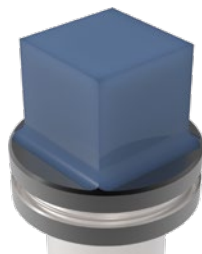
A high punch hardness as well as an excellent grinding surface are important in order to counteract the problem with edge build-up.

Tests show us that the well-known TiCN coating is a good coating to increase the lifetime (especially working with stainless steel). However, the problem of material buildup on the edges have not really been counteracted.

Built-up edges are known especially when working with

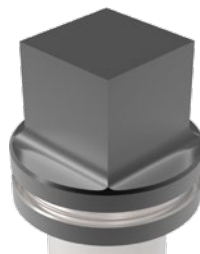
- galvanised steel
- aluminium

After specialized tests at PASS Tooling the below mentioned coatings turned out to be the most successful coatings:



TiCN

for working with
stainless steel



A-MAX

for dry processing with
aluminium sheet



T-MAX

for working with
galvanised sheet / zincor

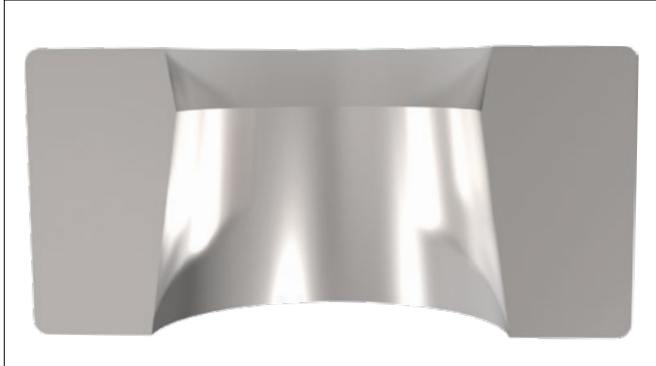
We recommend draw-polished punch edges to increase tool lifetime and reduce material build up (prices on request):



DIE VERSIONS

SLUG-STOP AND SLUG-SNAP (AVOID THE BUILD-UP OF THE SLUGS)

SLUG-STOP (STANDARD)



PASS dies for tooling system AMADA are produced in standard version with a slug-stop version (without additional costs).

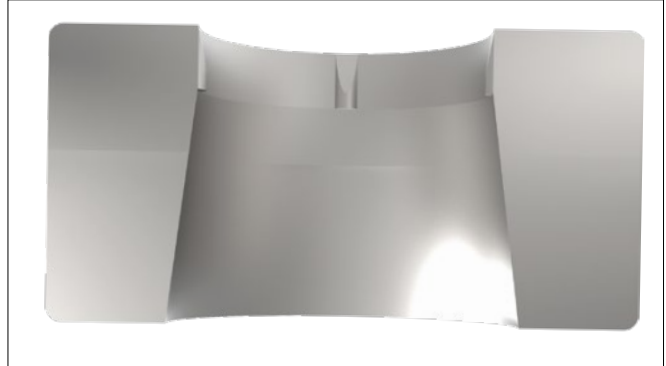
This means that the upper part of the cutting part is produced with a negative angle.

The slug will be held with the complete circumference in the die.

This is not recommended for:

- shapes smaller than 1,25 mm
- clearance smaller 0,1 mm

SLUG-SNAP (SPECIAL VERSION - ADDITIONAL COSTS)



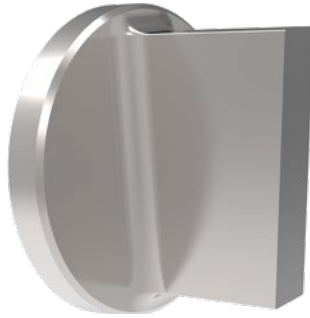
Alternatively we offer our slug-snap version (additional costs).

In this case special holding bolts are included in the die, clamping the slug positively (better than the slug-stop version).

The slug-snap version is also more convenient for shapes smaller than 1,25 mm and clearance smaller 0,1 mm.

PUNCHES WITH DIFFERENT SHEAR TYPES

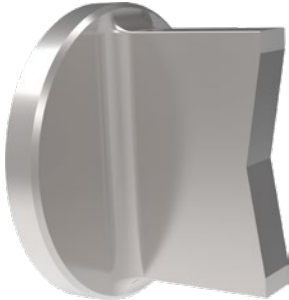
WT



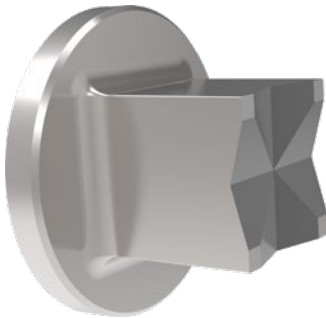
DOWT



2 PT



4 PT



DESCRIPTION

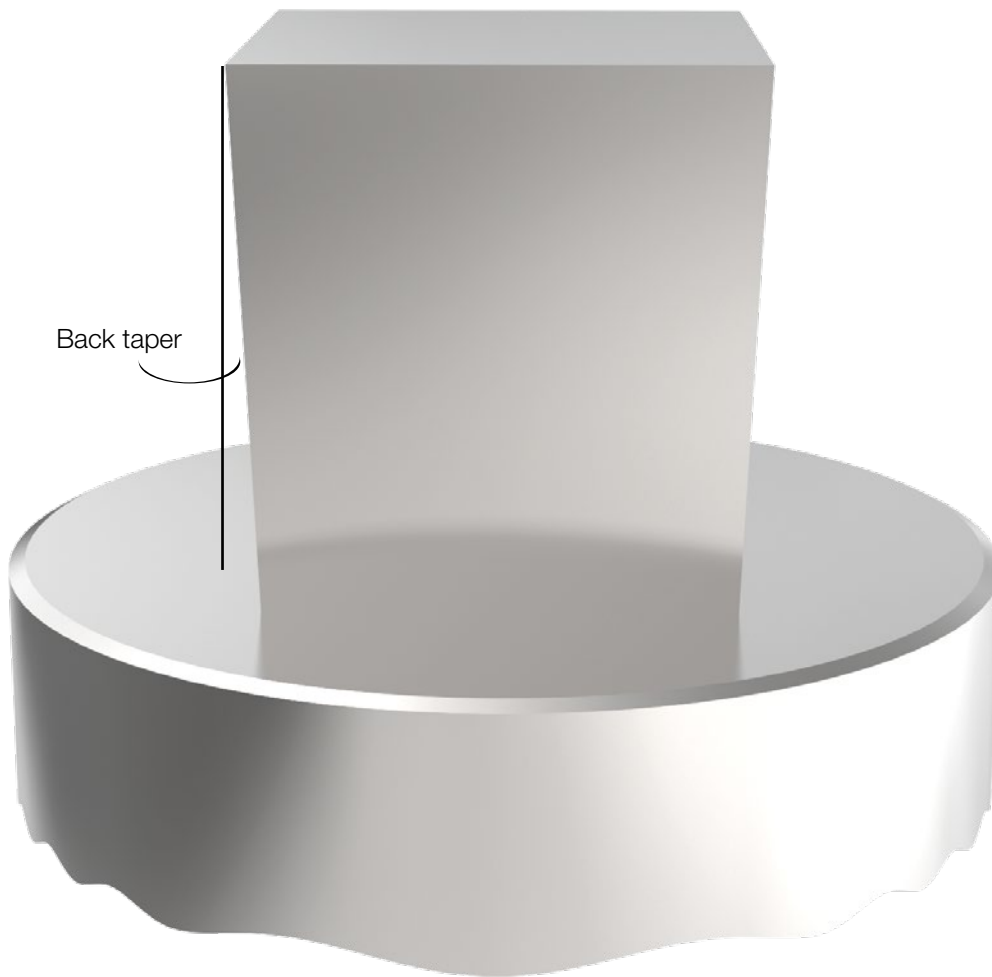
WT	
Advantage	easy regrindable
Disadvantage	lateral forces
DOWT	
Advantages	easy regrindable no lateral forces
Disadvantage	only reasonable for big shapes
2 PT	
Advantages	no lateral forces optimal die cutting
Disadvantages	only reasonable for big and slim shapes difficult to regrind
4 PT	
Advantages	no lateral forces optimal die cutting suitable for trimming
Disadvantages	only reasonable for big shapes difficult to regrind

PASS BACK TAPER ON PUNCHES

PASS punches are normally produced with back taper to reduce galling and premature punch wear.

However it should be mentioned that back taper is very important when punching materials such as stainless steel or very thick material to reduce galling and eliminate breakage of the tool corners and edges.

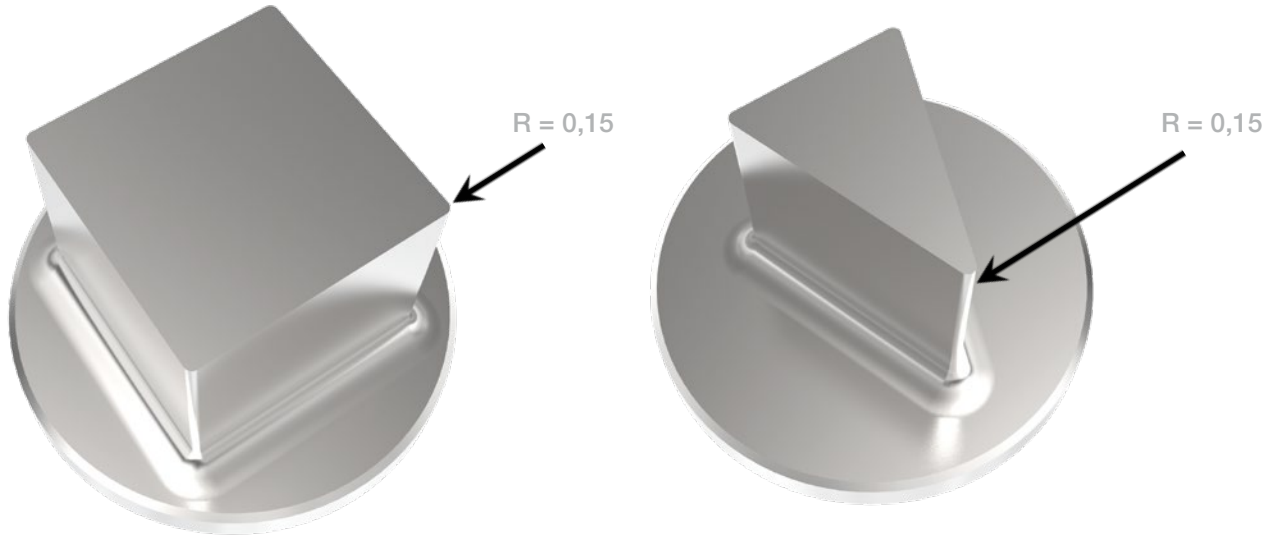
We recommend a line polished version for cutting parts, which have to be produced sink-eroded (special shape with internal shape, e.g. cross-form, U-form, etc.) and in high quality sheets.



PASS CORNER RADIUS ON PUNCHES

PASS punches are automatically produced with corner radius $R = 0,15$ mm. This process increases the lifetime as the corner abrasive wear will be decreased considerably.

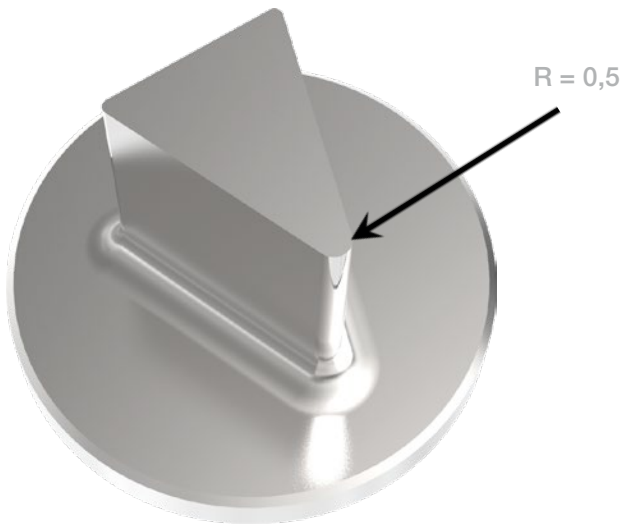
E.g.: square and triangle punch



The corner radius can be changed on customer's request.

E.g.:

$R = 0,5$ mm instead of $R = 0,15$ mm for stainless steel in order to increase tool life.



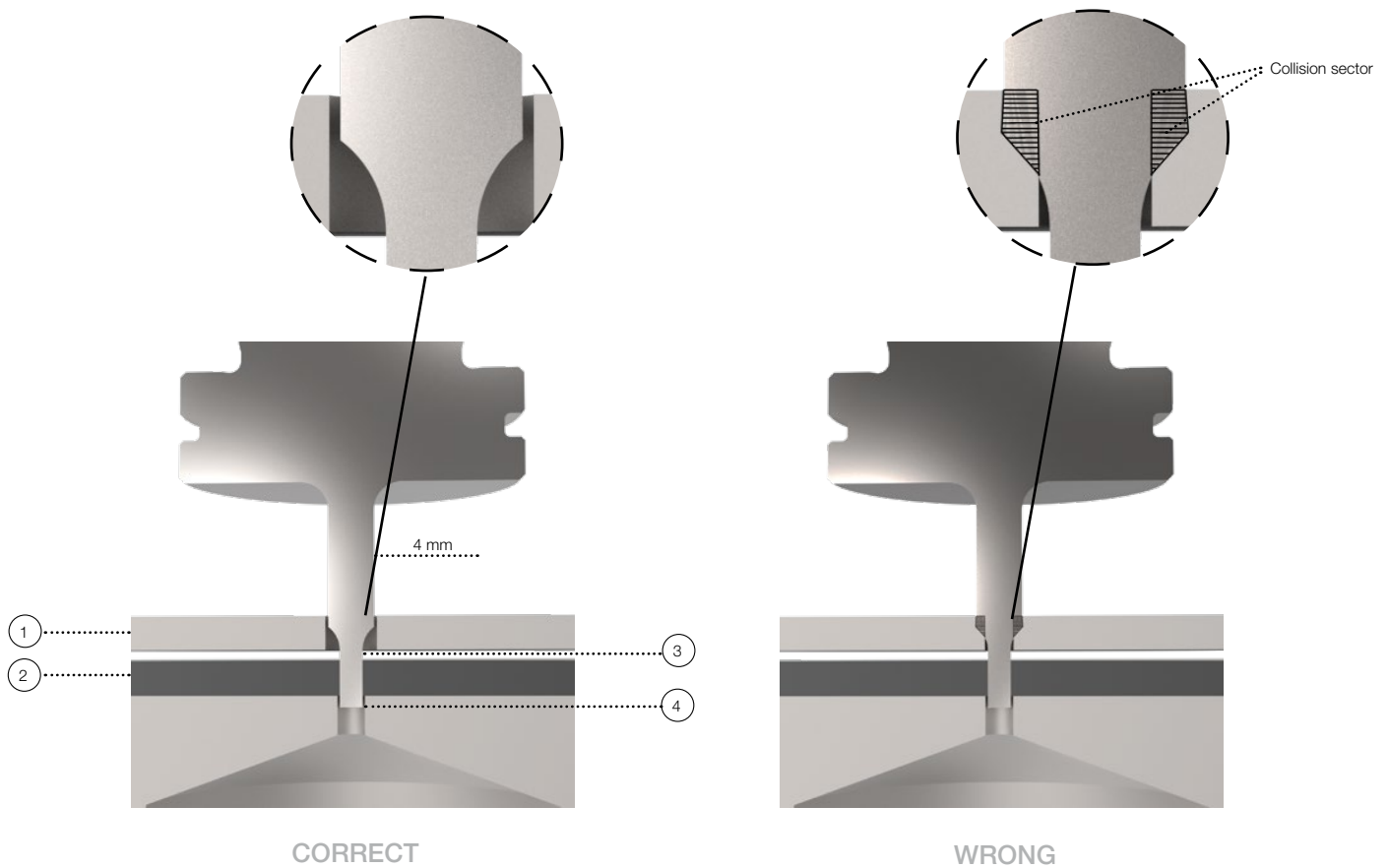
PASS PUNCHES WITH REINFORCED SHOULDER

All PASS punches are produced with a 4 mm reinforced shoulder as soon as the cutting section is required smaller than 4 mm.

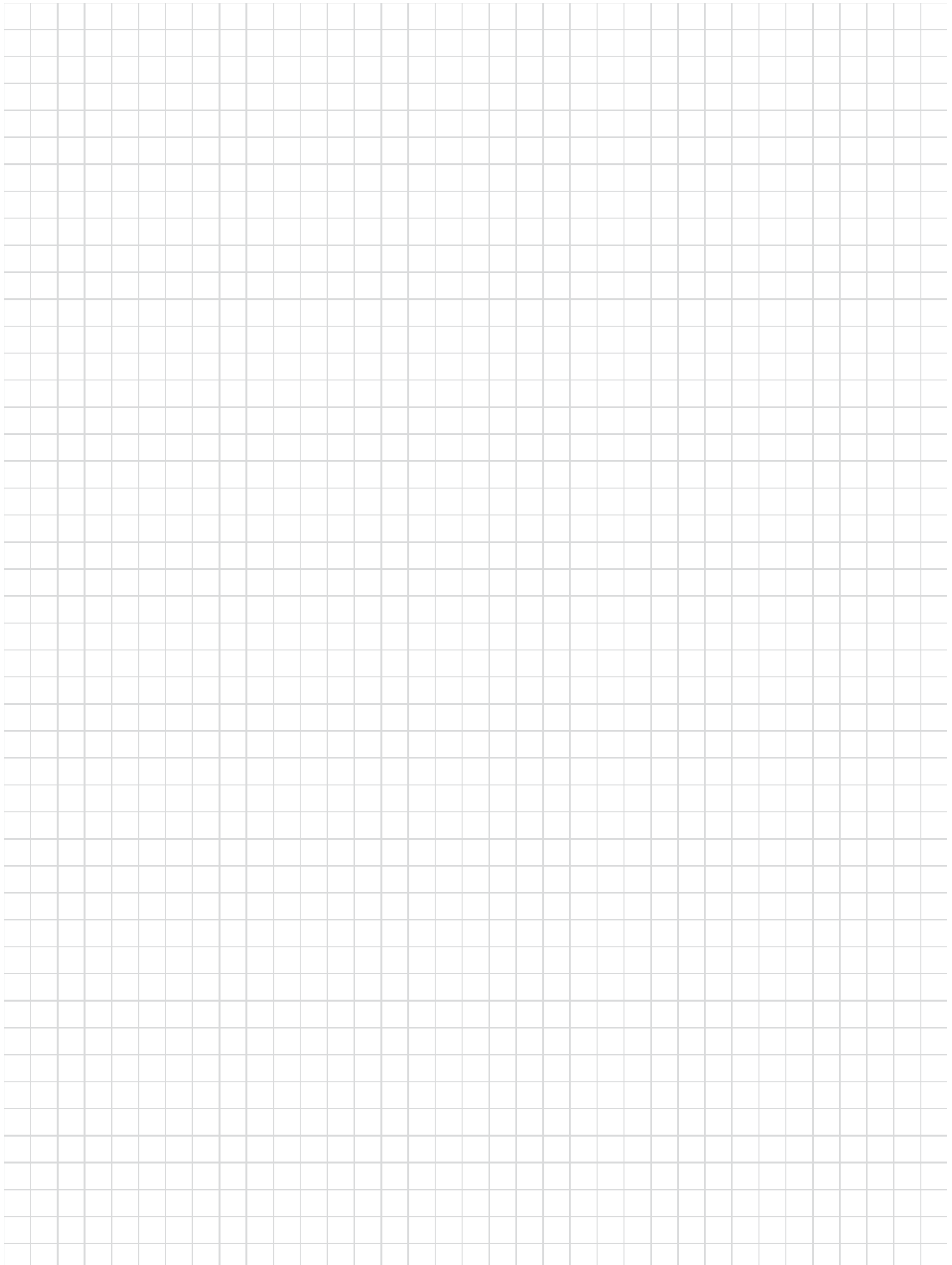
This guarantees that you will get a tool with highest stability in order to punch also thicker and high-strength sheets.

However, the correct stripper size has to be selected in subject to machine type, tool design, sheet thickness (2), punching depth (4), stripper thickness (1) and stripper overlap (3).

It might be possible that it gets necessary to use a stripper with an appropriate big shape (width min. 4,5 mm) in order to get sure that the reinforced punch shoulder can immerse into the stripper.

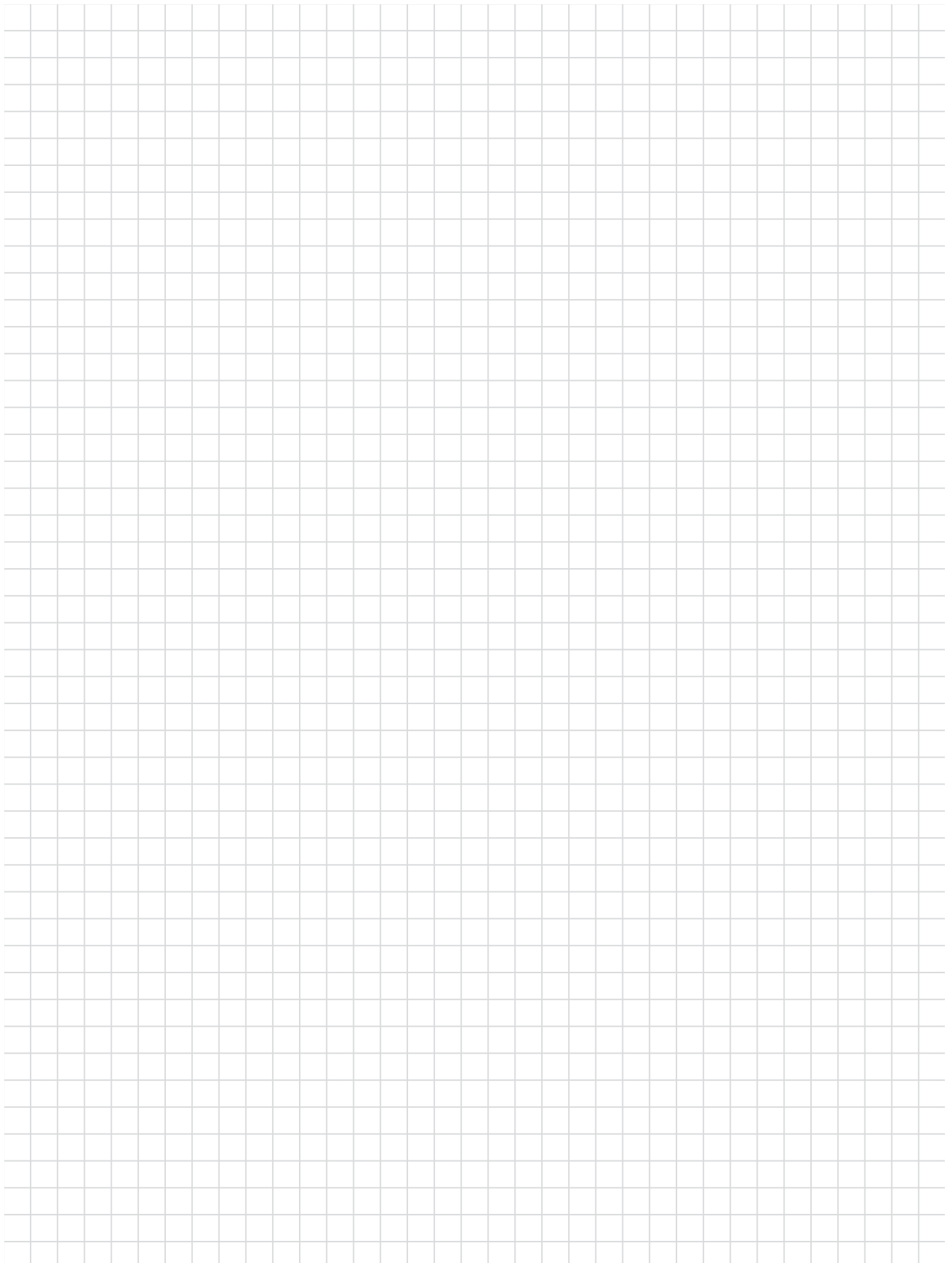


NOTES



A large grid of graph paper for taking notes, consisting of 20 columns and 30 rows of small squares.

NOTES



A		O		R	
Accessories	59	O.D. Ground Special Shapes	66	Reinforced shoulder	75
Adapter	62	P		S	
A-MAX	70	PASS punches	75	slug-snap	71
Assembling set	61	ps:®alpha		slug-stop	71
B		Station A	8, 9	Special shapes	66, 67
Back taper	73	Station B	20, 21	Standard	
C		ps:®alpha ABS		Station A	6, 7
Coating versions	70	Station A	16, 17	Station B	18, 19
Corner radius	74	Station B	28, 29	Station C	30, 31
D		ps:®alpha-compact		Station D	38, 39
Die adapter	62	Station A	10, 11	Station E	48, 49
Dies	63	Station B	22, 23	T	
Die versions	71	ps:®alpha-V2 ABS		TICN	70
Draw-polishing	70	Station C	36, 37	T-MAX	70
E		Station D	46, 47	Tools	
EDM Required Special Shapes	67	Station E	56, 57	Station A	5
H		ps:®assembly-element	60	Station B	18
H-PM®		ps:®beta-compact ABS		Station C	30
Tool variety	68	Station A	14, 15	Station D	38
HWS		Station B	26, 27	Station E	48
Tool variety	68	ps:®beta-V2® ABS		Tool variety	68
I		Station A	12, 13	X	
Increase in lifetime of tools	70, 74	Station B	24, 25	X3-PM	
Informationen	65	Station C	32, 33	Tool variety	68
L		Station D	40, 41	X8-PM	
Lifetime of tools	69	Station E	50, 51	Tool variety	68
Line polished version	70, 73	ps:®beta-V2® ABS Slitting Tool			
		Station C	34, 35		
		Station D	42, 43		
		Station D, close to clamp	44, 45		
		Station E	52, 53		
		Station E, close to clamp	54, 55		
		Punch adapter	62		
		Punches with different shear types	72		

SALVAGNINI | THICK TURRET | TRUMPF

