

User Manual

Fresh Roast
SR800

Coffee Bean Roaster

HomeRoastingSupplies.com
PH: (435) 729-9170
homerostingsupplies@gmail.com

IMPORTANT SAFEGUARDS

READ ALL INSTRUCTIONS BEFORE USING

1. Do not touch hot surfaces. Use handles and knobs when available.
2. This appliance must be properly installed and located in accordance with these instructions before it is used.
3. The use of accessory attachments not recommended by the appliance manufacturer may result in fire electrical shock or injury to persons.
4. Do not place on or near a hot gas or electric burner, or in a heated oven.
5. Do not use outdoors.
6. To protect against fire, electric shock, and injury do not immerse cords, plugs, or the appliance in water or any other liquid.
7. Do not over-fill the glass roasting chamber with beans. Use $\frac{8}{4}$ scoops of the provided 43cc scoop.
8. Turn off and unplug the roaster before cleaning or maintenance. Allow to cool before putting on or taking off parts before cleaning the appliance.
9. For best operation, plug the appliance into its own electrical outlet on a dedicated circuit to prevent flickering of lights, blowing of fuses, or tripping circuit breaker.
10. Do not operate any appliance with a damaged power cord, or plug, or after the appliance malfunctions or is damaged in any manner. Contact Home Roasting Supplies customer service PH: (435)729-9170 homeroastingsupplies@gmail.com
11. Do not let the power cord hang over the edge of the counter or table , or touch hot surfaces.
12. To disconnect, press the power OFF button on the roaster and then remove the plug from the wall outlet.
13. Close supervision is necessary when any appliance is used by or near children.
14. Do not lift glass roaster chamber or chaff basket during roast process.
15. This appliance is equipped with a power cord having a grounding wire and grounding plug. The appliance must be grounded using a 3-hole properly grounded outlet. In the event of an electrical short circuit, grounding reduces the risk of electrical shock.
16. If the outlet is a standard 2-prong wall outlet, it is your personal responsibility and obligation to have it replaced with a properly grounded 3-prong wall outlet.
17. Do not, under any circumstances, cut or remove the third (ground) prong from the power cord or use an adapter.
18. Consult a qualified electrician if the grounding instructions are not completely understood, or if doubt exists as to whether the appliance is properly grounded.
19. Do not use the appliance for other than its intended use.
20. Do not roast "back to back". Allow a minimum of 30 minutes between each complete roast cycle.

CAUTIONS:

1. There are extremely hot coffee beans in the glass roast chamber during the roast process. To avoid risk of injury, do not lift handle or remove chaff basket during roasting process.
2. Always keep the roaster in upright position to avoid potential injury and/or damage to your roaster.
3. When moving or relocating the roaster, always separate all parts before moving. To avoid breakage, move appliance as separate pieces.

WARNINGS:

1. Do not permit children to use the roaster unless there is adult supervision.
2. Keep all plastic bags away from children.
3. This product may contain chemicals known to the State of California to cause cancer, birth defects, or other reproductive harm

GLASS ROAST CHAMBER/DECANTER USE AND CARE:

Follow the instructions below to reduce or eliminate the chance of breaking the glass decanter.

1. Glass Roasting Chamber/decanter is specifically designed for use with Fresh Roast coffee roaster and therefore must never be used on a range top or in any oven including a microwave oven.
2. Do not set a hot decanter on a wet or cold surface.
3. Do not use a cracked Roast Chamber/ Decanter
4. Do not clean the decanter with abrasive cleaners, steel wool pads, or other abrasive materials.
5. Protect decanter from sharp blows, scratches, or rough handling.
6. Do not disassemble the decanter.

SAVE THESE INSTRUCTIONS, THIS PRODUCT IS FOR HOUSEHOLD USE ONLY

SHORT CORD INSTRUCTIONS:

1. A short power supply cord is provided to reduce the risk of becoming entangled in or tripping over a longer cord.
2. Longer detachable power-supply cords or extension cords are available and may be used if care is exercised in their use.
3. If an extension cord is used:
 - (A) The marked electrical rating of the cord set or extension cord should be at least as great as the electrical rating of the appliance.
 - (B) The cord should not be arranged so that it will not drape over the counter-top or tabletop where it can be pulled on by a child or tripped over unintentionally, and
 - (C) The extension cord must include a 3-prong grounding plug.

WARNING: TO REDUCE THE RISK OF FIRE OR ELECTRICAL SHOCK, DO NOT REMOVE THE BOTTOM COVER. NO USER SERVICEABLE PARTS ARE INSIDE. REPAIR SHOULD BE DONE BY AUTHORIZED SERVICE PERSONNEL.

Warranty Information

1 Year Limited Warranty only in North America

Fresh Beans Inc. warrants that for a period of one year from the date of purchase, this product will be free from defects in material and workmanship. Fresh Beans Inc. at its option will repair or replace this product or any component of the product found to be defective during the warranty period. Replacement will be made with a new or re manufactured product or component. If this product is no longer available, replacement may be made with a similar product of equal or greater value. This is your exclusive warranty. DO NOT attempt to repair or adjust any electrical or mechanical functions on this product. Doing so will void this warranty.

This warranty is valid for the original retail purchaser from the date of initial retail purchase and is not transferable. Keep the original sales receipt. Proof of purchase is required to obtain warranty performance. Fresh Beans Inc. dealers, service centers, or retail stores selling Fresh Beans Inc. products do not have the right to alter, modify or any way change the terms and conditions of this warranty.

This warranty does not cover normal wear of parts or damage resulting from any of the following: Negligent use or misuse of the product, use on improper voltage or current, use contrary to the operating instructions, disassembly, repair or alteration by anyone other than Fresh Beans Inc. or an authorized Fresh Beans Inc. service center. Further, the warranty does not cover: Act of God, such as fire, flood, hurricanes or tornadoes.

What are the limits on Fresh Beans Inc. Liability?

- Fresh Beans Inc. shall not be liable for any incidental or consequential damages caused by the breach of any express implied or statutory warranty or condition.
- Except to the extent prohibited by applicable law, any implied warranty or condition of merchant ability or fitness for a particular purpose is limited in duration of the above warranty.
- Fresh Beans Inc. disclaims all other warranties, conditions or representation, express, implied, statutory or otherwise.
- Fresh Beans Inc. shall not be liable for any damages of any kind resulting from the purchase, use or misuse of, or inability to use the product including incidental, special, consequential or similar damages or loss of profits, or any breach of contract, fundamental or otherwise, or for any claim brought against purchaser by any other party.
- Some provinces, states or jurisdictions do not allow the exclusion or limitation of incidental or consequential damages or limitation on how long an implied warranty last, so the above limitations or exclusion may not apply to you.
- This warranty gives you specific legal rights, and you may also have other rights that vary from province, state to state or jurisdiction to jurisdiction.

SR800 Operating Instructions

Before Using: Wipe glass with damp cloth, inside and out. Do not immerse roasting chamber in water.

CAUTION: To reduce the risk of electrical shock, do not immerse roaster base, it's power cord or pug in water or other liquid.

Roasting Coffee Beans:

- Your Fresh Roast SR800 coffee bean roaster is designed to roast approximately 8 ounces 228 Grams.
- Fill the provided 43CC measuring cup 8 times. Never overfill with green beans.
- Securely line up the locator dimples on the chamber to the slots on the roaster.
- Place chaff collector on top of the glass roasting chamber.
- Plug in the SR800 Coffee Roaster.
- The standby mode will show "----" on the display.
- Press "ON/OFF" button, display shows the factory setting (for the first time use) or the last machine setting.
- Factory setting is **FAN 5 HEAT 9 and TIMER 6.0**
- Press "RUN/COOL" button to start running the machine.
- To make an adjustment during the roast, PRESS "ADJUST" button, the digit for FAN, POWER, and TIMER flashes in the sequence.
- Select the parameter for adjustment.
- Rotate the "ADJUST" button to the desired value. Rotating clockwise to increase the value and counter-clockwise to decrease value.
- When the desired darkness of roast is achieved, PRESS the "RUN/COOL" button once.

*In the COOL mode, user can press "ADJUST" button to set the fan speed.

*Do not remove the Chaff Basket or Chamber until the machine has finished the COOL cycle and has shut off.

* User can exit the cool mode and enter into the roasting process by increasing the timer.

- To stop the machine without a Cool cycle, press the "ON/OFF" button.

Real Time Temperature Display:

- At any time in the roasting process, user can rotate "ADJUST" button quickly over 90 degrees to show the temperature in the display.
- The display shows temperature in (F).
- It will continue to show the temperature until you press the "ADJUST" button.

Reset Factory Default Settings:

- Plug machine into an outlet.
- Press "On/Off" button.
- Press "ADJUST" button to set FAN, POWER, and TIME.
- Press "Run/Cool" button to save new default setting.

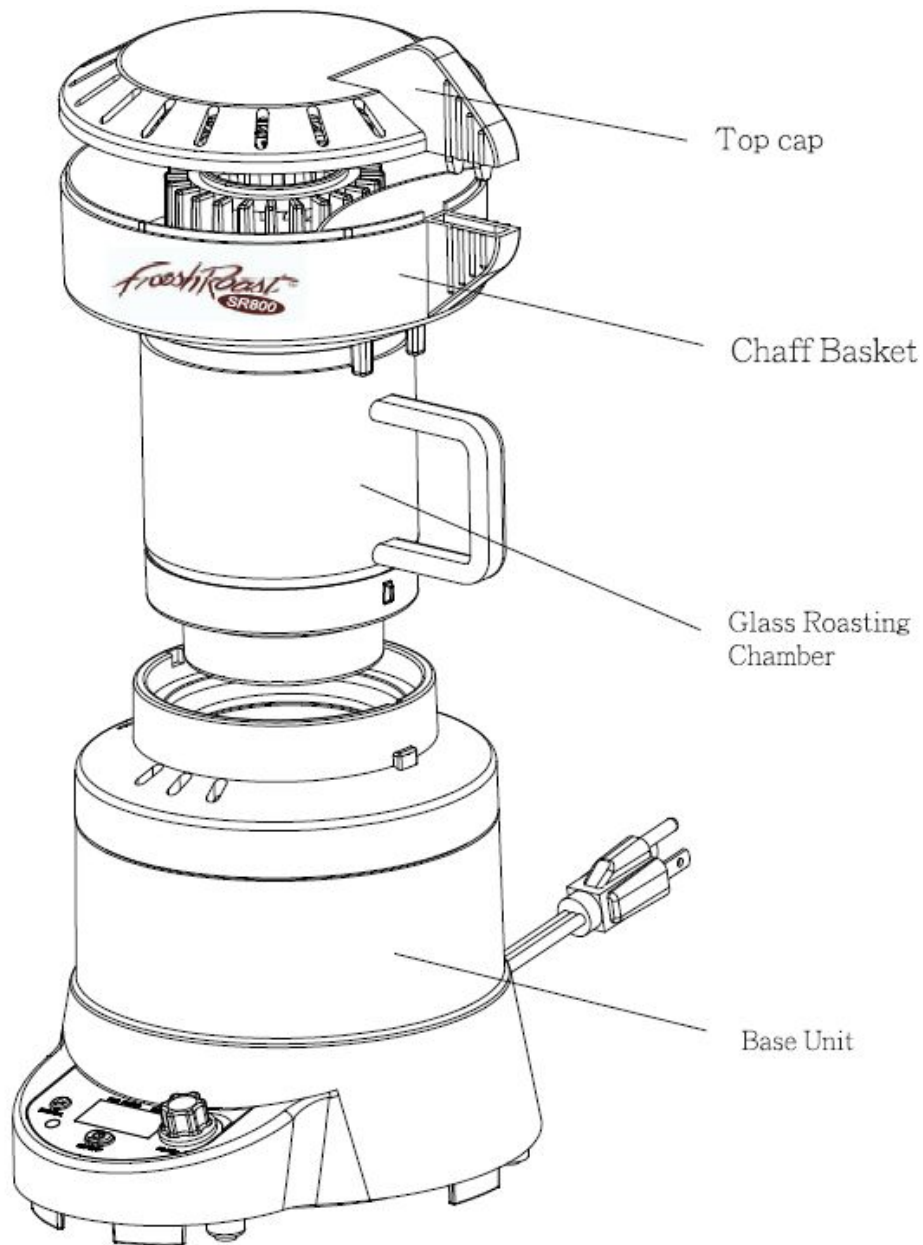
*Default settings are only for start up and will need to be adjusted during roast.

Cleaning and Care:

- Before every use, always empty the Chaff* Basket and clean the Top Cap screen.
*Chaff is the outer layer husk of the coffee bean.

Roasting Tips:

- For more information on the SR800 and Roasting Tips, visit our website www.homeroastingsupplies.com



Home Roasting Supplies LLC .
450 W East Canyon Rd
Henefer, UT, 84033
Tel,435-729-9170
Email homeroastingsupplies@gmail.com
Web homeroastingsupplies.com