

BOOMINATOR®

WORLD LEADER IN BOOMLESS SPRAY NOZZLES



INDUSTRIAL BOOMLESS SPRAY NOZZLES

TECHNOLOGY THAT WORKS

2008-2009 Catalog



Made in U.S.A.



BOOMINATOR®

SPRAY NOZZLES FEATURES, BENEFITS AND APPLICATIONS

The Boominator® logo is your sign that you are receiving the highest quality boomless spray nozzles the industry has to offer. "Insist on Boominator® quality!"

BOOMINATOR® FEATURES

- All nozzles are **MADE IN THE U.S.A.** 
- All nozzles carry a **3-YEAR LIMITED WARRANTY** against defects in materials and workmanship.
- All nozzles are **CNC Machined from high grade stainless steel. NO PLASTIC PARTS or soft metals to wear out, break or replace. No small orifices or slots to get plugged up.**
- All nozzles feature a **multi-patented round covered orifice design which improves spray pattern and distribution.**
- All nozzles feature **patented anti-drift technology.**
- All nozzles are **INDIVIDUALLY FACTORY TESTED** to ensure proper flow rate plus spray pattern.

BOOMINATOR® BENEFITS

- Boominator® nozzles produce a large droplet pattern for minimal drift and better penetration.
- Boominator® nozzles can easily spray around obstacles and over uneven terrain.
- Boominator® nozzles eliminate the cost of spray booms and all boom maintenance.
- Boominator® nozzles have superior wear and chemical resistance.
- Boominator® nozzles are designed to save time and money.

BOOMINATOR® APPLICATIONS

- **ATV sprayers, tow behind sprayers.**
- **De-Icing on roads, bridges, sidewalks, runways and parking lots.**
- **Spraying fence lines and right-of-ways.**
- **Dust suppression in mining, dirt track and street sweeping applications.**
- **Lawn, turf and nursery applications.**
- **Grass fire fighting.**
- **Ponds, lakes, canals. Aquatic pest and weed control.**
- **Insect control.**
- **Disinfecting and disease control in livestock and poultry barns.**
- **Pasture spraying.**

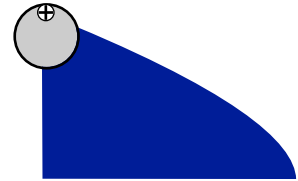
BOOMINATOR®

SPRAY NOZZLES NOZZLE DESCRIPTIONS AND DEFINITIONS

Short Pattern Spray Nozzles

All Short Pattern Spray Nozzles were tested at a height of 18 inches. (Recommended operating height is between 12 & 36 inches.)

These nozzles are designed for left-hand or right-hand mounting and provide an outward to straight downward spray pattern.

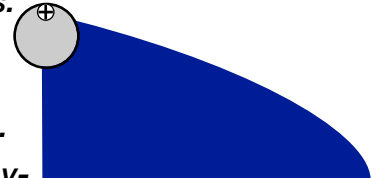


Roadside Spray Nozzles

All Roadside Spray Nozzles were tested at a height of 36 inches. (Recommended operating height is between 18 & 48 inches.)

These nozzles are designed for right-hand mounting ONLY and provide a wide spray pattern without kickback under the nozzle.

These nozzles are designed for road-side and right-of-way spraying.

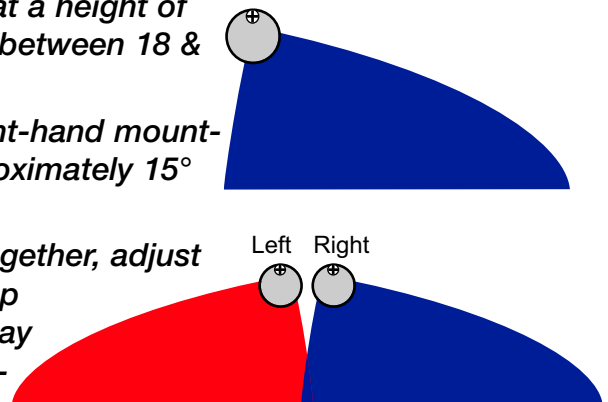


Regular Pattern Spray Nozzles

All Regular Pattern Spray Nozzles were tested at a height of 36 inches. (Recommended operating height is between 18 & 48 inches.)

These nozzles are designed for left-hand or right-hand mounting and provide a wide spray pattern with approximately 15° of kickback under the nozzle.

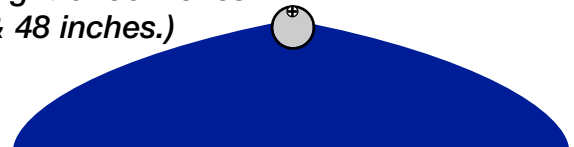
When using left-hand and right-hand nozzles together, adjust the nozzles to allow for enough kickback overlap between the nozzles to prevent streaking in spray coverage. Nozzles can be rotated to adjust distance of spray pattern outward or amount of kickback under the nozzle.



Full Pattern Spray Nozzles

All Full Pattern Spray Nozzles were tested at a height of 36 inches. (Recommended operating height is between 18 & 48 inches.)

These nozzles are designed to provide a full left-hand to right-hand spray pattern from a single centrally mounted nozzle.



Spraying Safety

ALWAYS WEAR PROTECTIVE CLOTHING WHEN SPRAYING AND / OR HANDLING ANY AND ALL CHEMICALS.

BOOMINATOR®

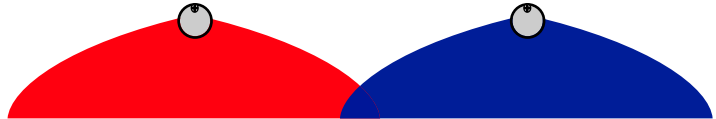
SPRAY NOZZLES NOZZLE INSTALLATION TIPS AND OPERATION

Nozzle Height Adjustment

Nozzles can be used at various heights within the recommended range. However, this will affect the spray pattern width and the gallons per acre (GPA) applied. Refer to conversion formulas on page 11.

Multi-Pass Spraying

When multi-pass spraying, be sure to overlap the ends of spray patterns 12 - 16 inches to ensure even coverage.



Adverse Wind Conditions

With boomless spray nozzles, as with other spraying methods, high or gusty wind conditions can cause drifting or pattern movements, adversely affecting spray coverage. If this occurs, wait for more favorable conditions before continuing.

Plumbing Requirements

Make sure that all plumbing components and feed lines can properly supply the nozzle or nozzles at their rated GPM and PSI. The type of pump used as well as the size and length of the feed line will also affect how efficiently the volume is delivered to the nozzle or nozzles.

Minimum hose size and plumbing requirements are

1 - 1/4" MNPT Nozzle	1/2" ID Hose	2 - 1/2" MNPT Nozzles	1-1/4" ID Hose
2 - 1/4" MNPT Nozzles	3/4" ID Hose	1 - 1" MNPT Nozzle	1-1/4" ID Hose
1 - 1/2" MNPT Nozzle	1" ID Hose	2 - 1" MNPT Nozzles	1-1/2" ID Hose

Proper Nozzle Operation

To insure proper nozzle operation all pressure readings must be taken directly before the nozzle or nozzles.

Nozzle Mounting Center Distance

To insure proper kickback overlap between the two nozzles and spray distance outward when mounting a pair of regular pattern nozzles together these are the recommended nozzle center distances.

2 - 1/4" Nozzles	3" - 4" Center Distance
2 - 1/2" Nozzles	6" - 7" Center Distance
2 - 1" Nozzles	8" - 9" Center Distance

Nozzle Combinations for Roadside and Right-of-Way Spraying

Speed	Nozzle Combination	Speed	Nozzle Combination
2 to 12 MPH	1 - 1255 Right	5 to 15 MPH	1 - 1876 Right
	1 - 1871 Right		1 - 2651 Right
	1 - 2650RS		1 - 3750RS

For roadside and right-of-way spraying at these speeds, nozzles with patterns of 6 feet or less should be mounted 12" - 24" above the ground. Larger patterns should be mounted 18" - 48" above the ground.

Spraying Safety

ALWAYS WEAR PROTECTIVE CLOTHING WHEN SPRAYING AND / OR HANDLING ANY AND ALL CHEMICALS.

BOOMINATOR®

SPRAY NOZZLES

SHORT PATTERN

* Water was used for all calculations listed.

All Short Pattern Spray Nozzles were tested at a height of 18 inches. (Recommended operating height is between 12 & 36 inches.)



SHORT PATTERN SPRAY NOZZLES

Right hand nozzle
shown in photo

1165 RIGHT or LEFT	(1/4" MNPT)			SPEED (MPH)											
	PSI	GPM	SPRAY PATTERN	2	3	4	5	6	7	8	9	10	11	12	
	20	1.0	5 ft.	GALLONS PER ACRE											
	30	1.2	5 ft.	49.5	33	24.5	20	16.5	14	12	11	10	9	8	
	40	1.4	5 ft.	59.5	39.5	30	23.5	20	17	15	13	12	11	10	
				69.5	46	34.5	27.5	23	20	17	15.5	14	12.5	11.5	

1253 RIGHT or LEFT	(1/4" MNPT)			SPEED (MPH)											
	PSI	GPM	SPRAY PATTERN	2	3	4	5	6	7	8	9	10	11	12	
	20	1.5	3 ft.	GALLONS PER ACRE											
	30	1.7	3 ft.	124	83	62	50	41	35	31	28	25	23	21	
	40	2.0	3 ft.	140	94	70	56	47	40	35	31	28	26	23	
				165	110	83	66	55	47	41	37	33	30	28	

1255 RIGHT or LEFT	(1/4" MNPT)			SPEED (MPH)											
	PSI	GPM	SPRAY PATTERN	2	3	4	5	6	7	8	9	10	11	12	
	20	1.5	5 ft.	GALLONS PER ACRE											
	30	1.7	5 ft.	74	50	37	30	25	21	19	17	15	14	12	
	40	2.0	5 ft.	84	56	42	34	28	24	21	19	17	15	14	
				99	66	50	40	33	28	25	22	20	18	17	

1404 RIGHT or LEFT	(1/4" MNPT)			SPEED (MPH)											
	PSI	GPM	SPRAY PATTERN	2	3	4	5	6	7	8	9	10	11	12	
	20	1.7	4 ft.	GALLONS PER ACRE											
	30	2.0	4 ft.	105	70	53	42	35	30	26	23	21	19	18	
	40	2.5	4 ft.	124	83	62	50	41	35	31	28	25	23	21	
				155	103	77	62	52	44	39	34	31	28	26	

1406 RIGHT or LEFT	(1/4" MNPT)			SPEED (MPH)											
	PSI	GPM	SPRAY PATTERN	2	3	4	5	6	7	8	9	10	11	12	
	20	1.7	6 ft.	GALLONS PER ACRE											
	30	2.0	6 ft.	70	47	35	28	23	20	18	16	14	13	12	
	40	2.5	6 ft.	83	55	41	33	28	24	21	18	17	15	14	
				103	69	52	41	34	30	26	23	21	19	17	

1876 RIGHT or LEFT	(1/4" MNPT)			SPEED (MPH)														
	PSI	GPM	SPRAY PATTERN	2	3	4	5	6	7	8	9	10	11	12	13	14	15	
	20	3.0	6 ft.	GALLONS PER ACRE														
	30	3.5	6 ft.	124	83	62	50	41	35	31	28	25	23	21	19	18	17	
	40	4.3	6 ft.	144	96	72	58	48	41	36	32	29	26	24	22	21	19	
				177	118	89	71	59	51	44	39	35	32	30	27	25	24	

1871 RIGHT or LEFT	(1/4" MNPT)			SPEED (MPH)														
	PSI	GPM	SPRAY PATTERN	2	3	4	5	6	7	8	9	10	11	12	13	14	15	
	20	3.0	10 ft.	GALLONS PER ACRE														
	30	3.5	10 ft.	74	50	37	30	25	21	19	17	15	14	13	12	11	10	
	40	4.3	10 ft.	87	58	43	35	29	25	22	19	17	16	15	13	12	11	
				106	71	53	43	35	30	27	24	21	19	18	16	15	14	

2651 RIGHT or LEFT	(1/2" MNPT)			SPEED (MPH)														
	PSI	GPM	SPRAY PATTERN	2	3	4	5	6	7	8	9	10	11	12	13	14	15	
	20	6.7	10 ft.	GALLONS PER ACRE														
	30	7.5	10 ft.	166	111	83	66	55	47	41	37	33	30	28	26	24	22	
	40	8.5	10 ft.	186	124	93	74	62	53	46	41	37	34	31	29	27	25	
				210	140	105	84	70	60	53	47	42	38	35	32	30	28	

3121 RIGHT or LEFT	(1/2" MNPT)			SPEED (MPH)														
	PSI	GPM	SPRAY PATTERN	2	3	4	5	6	7	8	9	10	11	12	13	14	15	
	20	7.2	10 ft.	GALLONS PER ACRE														
	30	9.0	10 ft.	178	119	89	71	59	51	45	40	36	32	30	27	25	24	
	40	10.6	10 ft.	223	149	111	89	74	64	56	50	45	41	37	34	32	30	
				262	175	131	105	87	75	66	58	52	48	44	40	37	35	

BOOMINATOR®

SPRAY NOZZLES ROAD SIDE PATTERN

All Roadside Pattern Spray Nozzles were tested at a height of 36 inches. (Recommended operating height is between 18 & 48 inches.)



ROAD SIDE PATTERN SPRAY NOZZLES

* Water was used for all calculations listed.

NOZZLE MODEL	PSI	GPM	SPRAY PATTERN	SPEED (MPH)															
				GALLONS PER ACRE															
				1	2	3	4	5	6	7	8	9	10	11	12	13	14	15	
1250RS RIGHT ONLY	(1/4" MNPT)																		
				1	2	3	4	5	6	7									
				GALLONS PER ACRE															
	20	1.5	16 ft.	46	23	16	12	9	8	7									
30	1.7	16 ft.	53	26	18	13	11	9	8										
40	2.0	16 ft.	62	31	21	16	12	10	9										
1400RS RIGHT ONLY	(1/4" MNPT)			SPEED (MPH)															
				2	3	4	5	6	7	8	9	10	11	12					
				GALLONS PER ACRE															
	20	1.7	17 ft.	25	17	12	10	8	7	6	5.5	5	4.5	4					
30	2.0	17 ft.	30	19	15	12	10	8	7	6.5	6	5	4.5						
40	2.5	17 ft.	36	24	18	15	12	10	9	8	7	6.5	6						
1870RS RIGHT ONLY	(1/4" MNPT)			SPEED (MPH)															
				2	3	4	5	6	7	8	9	10	11	12					
				GALLONS PER ACRE															
	20	3.0	18 ft.	41	28	21	17	14	12	10	9	8	7.5	7					
30	3.5	18 ft.	48	32	24	19	16	14	12	11	10	9	8						
40	4.3	18 ft.	59	39	30	24	20	17	15	13	12	11	10						
2650RS RIGHT ONLY	(1/2" MNPT)			SPEED (MPH)															
				2	3	4	5	6	7	8	9	10	11	12	13	14	15		
				GALLONS PER ACRE															
	20	6.7	20 ft.	83	55	41	33	28	24	21	18	16	15	14	13	12	11		
30	7.5	20 ft.	93	62	46	37	32	26	23	20	18	17	15	14	13	12			
40	8.5	20 ft.	105	70	52	42	35	30	26	23	21	19	17	16	15	14			
3120RS RIGHT ONLY	(1/2" MNPT)			SPEED (MPH)															
				2	3	4	5	6	7	8	9	10	11	12	13	14	15		
				GALLONS PER ACRE															
	20	7.2	21 ft.	85	56	42	34	28	24	21	19	17	15	14	13	12	11		
30	9.0	21 ft.	106	71	53	42	35	30	26	23	21	19	17	16	15	14			
40	10.6	21 ft.	125	83	62	50	41	36	31	28	25	23	21	19	18	16			
3750RS RIGHT ONLY	(1/2" MNPT)			SPEED (MPH)															
				2	3	4	5	6	7	8	9	10	11	12	13	14	15		
				GALLONS PER ACRE															
	20	12.0	22 ft.	135	90	67.5	54	45	38.5	34	30	27	24.5	22.5	21	19	18		
30	14.0	22 ft.	157	105	79	63	52.5	45	39	35	31.5	29	26	24	22.5	21			
40	15.0	22 ft.	169	113	84	67.5	56	48	42	37.5	34	31	28	26	24	22.5			
4370RS RIGHT ONLY	(1/2" MNPT)			SPEED (MPH)															
				2	3	4	5	6	7	8	9	10	11	12	13	14	15		
				GALLONS PER ACRE															
	20	13.0	23 ft.	140	93	70	56	47	40	35	31	28	25	23	22	20	19		
30	15.5	23 ft.	167	112	83	67	56	48	42	37	33	30	28	26	24	22			
40	17.5	23 ft.	188	126	94	75	63	54	47	42	38	34	31	29	27	25			

BOOMINATOR®

All Regular Pattern Spray Nozzles were tested at a height of 36 inches. (Recommended operating height is between 18 & 48 inches.)

SPRAY NOZZLES REGULAR PATTERN

* Water was used for all calculations listed.



REGULAR PATTERN SPRAY NOZZLES

Right hand nozzle shown in photo

1160 RIGHT or LEFT	(1/4" MNPT)			SPEED (MPH)									
	PSI	GPM	SPRAY	GALLONS PER ACRE									
			PATTERN	2	3	4	5	6	7				
20	1.0	16 ft.	16 ft.	15.5	10	8	6	5	4.5				
30	1.2	16 ft.	16 ft.	18.5	12.5	9	7.5	6	5.5				
40	1.4	16 ft.	16 ft.	21.5	14.5	11	8.5	7	6				

1250 RIGHT or LEFT	(1/4" MNPT)			SPEED (MPH)									
	PSI	GPM	SPRAY	GALLONS PER ACRE									
			PATTERN	1	2	3	4	5	6	7			
20	1.5	16 ft.	16 ft.	46	23	16	12	9	8	7			
30	1.7	16 ft.	16 ft.	53	26	18	13	11	9	8			
40	2.0	16 ft.	16 ft.	62	31	21	16	12	10	9			

1400 RIGHT or LEFT	(1/4" MNPT)			SPEED (MPH)											
	PSI	GPM	SPRAY	GALLONS PER ACRE											
			PATTERN	2	3	4	5	6	7	8	9	10	11	12	
20	1.7	17 ft.	17 ft.	25	17	12	10	8	7	6	5.5	5	4.5	4	
30	2.0	17 ft.	17 ft.	30	19	15	12	10	8	7	6.5	6	5	4.5	
40	2.5	17 ft.	17 ft.	36	24	18	15	12	10	9	8	7	6.5	6	

1870 RIGHT or LEFT	(1/4" MNPT)			SPEED (MPH)											
	PSI	GPM	SPRAY	GALLONS PER ACRE											
			PATTERN	2	3	4	5	6	7	8	9	10	11	12	
20	3.0	18 ft.	18 ft.	41	28	21	17	14	12	10	9	8	7.5	7	
30	3.5	18 ft.	18 ft.	48	32	24	19	16	14	12	11	10	9	8	
40	4.3	18 ft.	18 ft.	59	39	30	24	20	17	15	13	12	11	10	

2650 RIGHT or LEFT	(1/2" MNPT)			SPEED (MPH)														
	PSI	GPM	SPRAY	GALLONS PER ACRE														
			PATTERN	2	3	4	5	6	7	8	9	10	11	12	13	14	15	
20	6.7	20 ft.	20 ft.	83	55	41	33	28	24	21	18	16	15	14	13	12	11	
30	7.5	20 ft.	20 ft.	93	62	46	37	32	26	23	20	18	17	15	14	13	12	
40	8.5	20 ft.	20 ft.	105	70	52	42	35	30	26	23	21	19	17	16	15	14	

3120 RIGHT or LEFT	(1/2" MNPT)			SPEED (MPH)														
	PSI	GPM	SPRAY	GALLONS PER ACRE														
			PATTERN	2	3	4	5	6	7	8	9	10	11	12	13	14	15	
20	7.2	21 ft.	21 ft.	85	56	42	34	28	24	21	19	17	15	14	13	12	11	
30	9.0	21 ft.	21 ft.	106	71	53	42	35	30	26	23	21	19	17	16	15	14	
40	10.6	21 ft.	21 ft.	125	83	62	50	41	36	31	28	25	23	21	19	18	16	

3750 RIGHT or LEFT	(1/2" MNPT)			SPEED (MPH)														
	PSI	GPM	SPRAY	GALLONS PER ACRE														
			PATTERN	2	3	4	5	6	7	8	9	10	11	12	13	14	15	
20	12.0	22 ft.	22 ft.	135	90	67.5	54	45	38.5	34	30	27	24.5	22.5	21	19	18	
30	14.0	22 ft.	22 ft.	157	105	79	63	52.5	45	39	35	31.5	29	26	24	22.5	21	
40	15.0	22 ft.	22 ft.	169	113	84	67.5	56	48	42	37.5	34	31	28	26	24	22.5	

4370 RIGHT or LEFT	(1/2" MNPT)			SPEED (MPH)														
	PSI	GPM	SPRAY	GALLONS PER ACRE														
			PATTERN	2	3	4	5	6	7	8	9	10	11	12	13	14	15	
20	13.0	23 ft.	23 ft.	140	93	70	56	47	40	35	31	28	25	23	22	20	19	
30	15.5	23 ft.	23 ft.	167	112	83	67	56	48	42	37	33	30	28	26	24	22	
40	17.5	23 ft.	23 ft.	188	126	94	75	63	54	47	42	38	34	31	29	27	25	

BOOMINATOR®

SPRAY NOZZLES REGULAR PATTERN

All Regular Pattern Spray Nozzles were tested at a height of 36 inches. (Recommended operating height is between 18 & 48 inches.)

5000 RIGHT or LEFT	(1" MNPT)			SPEED (MPH)														
	PSI	GPM	SPRAY PATTERN	GALLONS PER ACRE														
				2	3	4	5	6	7	8	9	10	11	12	13	14	15	
20	17.0	25 ft.		168	112	84	67	56	48	42	37	34	31	28	26	24	22	
30	20.0	25 ft.		198	132	99	79	66	57	50	44	40	36	33	31	28	26	
40	23.0	25 ft.		228	152	114	91	76	65	57	51	46	41	38	35	33	30	

6250 RIGHT or LEFT	(1" MNPT)			SPEED (MPH)														
	PSI	GPM	SPRAY PATTERN	GALLONS PER ACRE														
				4	6	8	10	12	14	16	18	20	22	24	26	28	30	
20	21.0	25 ft.		104	69	52	42	35	30	26	23	21	19	17	16	15	14	
30	25.0	25 ft.		124	83	62	50	41	35	31	28	25	23	21	19	18	17	
40	29.0	25 ft.		144	96	72	57	48	41	36	32	29	26	24	22	21	19	

BOOMINATOR®

SPRAY NOZZLES FULL PATTERN

All Full Pattern Spray Nozzles were tested at a height of 36 inches. (Recommended operating height is between 18 & 48 inches.)

* Water was used for all calculations listed.

1250FS	(1/4" MNPT)			SPEED (MPH)						
	PSI	GPM	SPRAY PATTERN	GALLONS PER ACRE						
				1	2	3	4	5	6	7
20	1.5	16 ft.		46	23	16	12	8	7.5	6.5
30	1.7	16 ft.		53	26	18	13	11	9	8
40	2.0	16 ft.		62	31	21	16	12	10	9



1400FS	(1/4" MNPT)			SPEED (MPH)											
	PSI	GPM	SPRAY PATTERN	GALLONS PER ACRE											
				2	3	4	5	6	7	8	9	10	11	12	
20	1.7	17 ft.		25	17	12	10	8	7	6	5.5	5	4.5	4	
30	2.0	17 ft.		29	19	15	12	10	8	7	6.5	6	5	4.5	
40	2.5	17 ft.		36	24	18	15	12	10	9	8	7	6.5	6	

1400FM	(1/4" MNPT)			SPEED (MPH)											
	PSI	GPM	SPRAY PATTERN	GALLONS PER ACRE											
				2	3	4	5	6	7	8	9	10	11	12	
20	1.7	22 ft.		19	13	10	8	6	5.5	5	4.5	4	3.5	3	
30	2.0	22 ft.		23	15	11	9	8	6	5.5	5	4.5	4	3.5	
40	2.5	22 ft.		28	19	14	11	9	8	7	6	5.5	5	4.5	

BOOMINATOR®

All Full Pattern Spray Nozzles were tested at a height of 36 inches. (Recommended operating height is between 18 & 48 inches.)

SPRAY NOZZLES FULL PATTERN

1870FS	(1/4" MNPT)			SPEED (MPH)										
	SPRAY			2	3	4	5	6	7	8	9	10	11	12
	PSI	GPM	PATTERN	GALLONS PER ACRE										
	20	3.0	18 ft.	41	28	21	17	14	12	10	9	8	7.5	7
30	3.5	18 ft.	48	32	24	19	16	14	12	11	10	9	8	
40	4.3	18 ft.	59	39	30	24	20	17	15	13	12	11	10	

1870FM	(1/4" MNPT)			SPEED (MPH)										
	SPRAY			2	3	4	5	6	7	8	9	10	11	12
	PSI	GPM	PATTERN	GALLONS PER ACRE										
	20	3.0	23 ft.	32	22	16	13	10	9	8	7	6.5	6	5
30	3.5	23 ft.	38	25	19	15	13	11	9	8	7.5	7	6	
40	4.3	23 ft.	46	31	23	19	15	13	12	10	9	8	7.5	

1870FL	(1/4" MNPT)			SPEED (MPH)										
	SPRAY			2	3	4	5	6	7	8	9	10	11	12
	PSI	GPM	PATTERN	GALLONS PER ACRE										
	20	3.0	30 ft.	25	17	12	10	8	7	6	5.5	5	4.5	4
30	3.5	30 ft.	29	19	14	12	10	8	7	6	5.5	5	4.5	
40	4.3	30 ft.	36	25	18	14	12	10	9	8	7	6.5	6	

2650FS	(1/2" MNPT)			SPEED (MPH)													
	SPRAY			2	3	4	5	6	7	8	9	10	11	12	13	14	15
	PSI	GPM	PATTERN	GALLONS PER ACRE													
	20	6.7	16 ft.	104	69	52	41	34.5	30	26	23	21	19	17	16	15	14
30	8.0	16 ft.	124	82.5	62	50	41	35	31	27.5	25	22.5	21	19	18	16.5	
40	10.0	16 ft.	155	103	77	62	51.5	44	39	34	31	28	26	24	22	21	

2650FM	(1/2" MNPT)			SPEED (MPH)													
	SPRAY			2	3	4	5	6	7	8	9	10	11	12	13	14	15
	PSI	GPM	PATTERN	GALLONS PER ACRE													
	20	6.7	23 ft.	72	48	36	29	24	20.5	18	16	14	13	12	11	10	9.5
30	8.0	23 ft.	86	57	43	34	29	24.5	21.5	19	17	16	14	13	12	11.5	
40	10.0	23 ft.	108	72	54	43	36	31	27	24	21.5	19.5	18	16.5	15	14	

2650FL	(1/2" MNPT)			SPEED (MPH)													
	SPRAY			2	3	4	5	6	7	8	9	10	11	12	13	14	15
	PSI	GPM	PATTERN	GALLONS PER ACRE													
	20	6.7	38 ft.	43.5	29	22	17.5	14.5	12.5	11	10	9	8	7	6.5	6	5.5
30	8.0	38 ft.	52	35	26	21	17	15	13	11.5	10.5	9.5	9	8	7.5	7	
40	10.0	38 ft.	65	43	32.5	26	22	18.5	16	14.5	13	12	11	10	9.5	8.5	

BOOMINATOR®

SPRAY NOZZLES FULL PATTERN

All Full Pattern Spray Nozzles were tested at a height of 36 inches. (Recommended operating height is between 18 & 48 inches.)

3120FS	(1/2" MNPT)			SPEED (MPH)													
	PSI	GPM	SPRAY	2	3	4	5	6	7	8	9	10	11	12	13	14	15
			PATTERN	GALLONS PER ACRE													
20	11.3	23 ft.		122	81	61	49	40	37	30	27	24	22	20	19	17	16
30	13.0	23 ft.		140	93	70	56	47	43	35	31	28	25	23	21	20	19
40	15.0	23 ft.		161	108	81	65	54	50	41	36	32	29	27	25	23	22

3120FM	(1/2" MNPT)			SPEED (MPH)													
	PSI	GPM	SPRAY	2	3	4	5	6	7	8	9	10	11	12	13	14	15
			PATTERN	GALLONS PER ACRE													
20	11.3	27 ft.		104	69	52	41	35	30	26	23	21	19	17	16	15	14
30	13.0	27 ft.		119	79	60	48	40	34	30	26	24	22	20	18	17	16
40	15.0	27 ft.		138	92	69	55	46	39	34	30	28	25	23	21	20	18

3120FL	(1/2" MNPT)			SPEED (MPH)													
	PSI	GPM	SPRAY	2	3	4	5	6	7	8	9	10	11	12	13	14	15
			PATTERN	GALLONS PER ACRE													
20	11.3	40 ft.		70	47	35	28	23	20	17.5	15.5	14	13	11.5	11	10	9
30	13.0	40 ft.		80	54	40	32	27	23	20	18	16	14.5	13.5	12	11.5	10.5
40	15.0	40 ft.		93	62	46.5	37	31	26.5	23	20.5	18.5	17	15.5	14	13	12

3750FM	(1/2" MNPT)			SPEED (MPH)													
	PSI	GPM	SPRAY	2	3	4	5	6	7	8	9	10	11	12	13	14	15
			PATTERN	GALLONS PER ACRE													
20	13.8	30 ft.		114	76	57	46	38	33	28	25	23	21	19	18	16	15
30	16.4	30 ft.		135	90	68	54	45	39	34	30	27	25	23	21	19	18
40	18.0	30 ft.		149	99	74	59	50	42	37	33	30	27	25	23	21	20

3750FL	(1/2" MNPT)			SPEED (MPH)													
	PSI	GPM	SPRAY	2	3	4	5	6	7	8	9	10	11	12	13	14	15
			PATTERN	GALLONS PER ACRE													
20	13.8	40 ft.		85	57	43	34	28	24	21	19	17	16	14	13	12	11
30	16.4	40 ft.		101	68	51	41	34	29	25	23	20	18	17	16	14	13
40	18.0	40 ft.		111	74	56	45	37	32	28	25	23	20	18	17	16	15

4370FL	(1/2" MNPT)			SPEED (MPH)													
	PSI	GPM	SPRAY	2	3	4	5	6	7	8	9	10	11	12	13	14	15
			PATTERN	GALLONS PER ACRE													
20	16.3	44 ft.		92	61	46	37	31	26	23	20	18	17	15	14	13	12
30	20.0	44 ft.		113	75	56	45	38	32	28	25	23	20	19	17	16	15
40	24.0	44 ft.		135	90	68	54	45	39	34	30	27	25	23	21	19	18

BOOMINATOR®

SPRAY NOZZLES CONVERSION FORMULAS

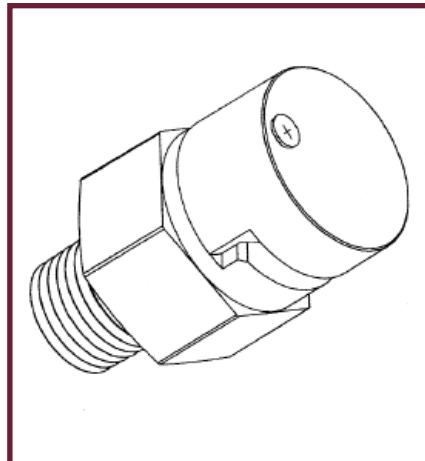
CONVERSION FORMULAS

$$\text{Gallons per 1000 sq. ft.} = \frac{\text{GPM} \times 136}{\text{MPH} \times \text{Spray Width in Inches}}$$

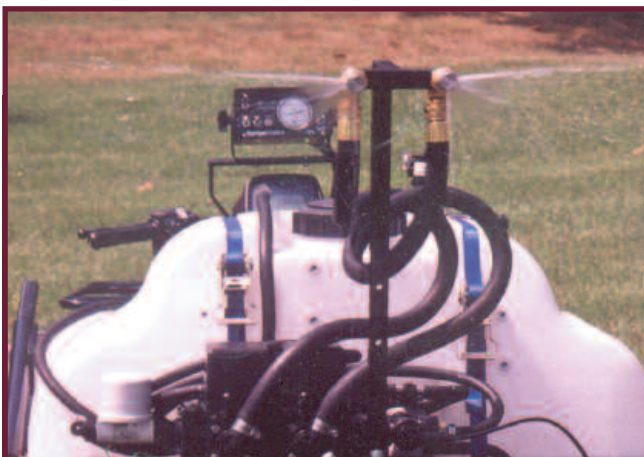
$$\text{Gallons per Acre} = \frac{\text{GPM} \times 5940}{\text{MPH} \times \text{Spray width in Inches}}$$



TOW BEHIND SPRAYER WITH FULL PATTERN BOOMINATOR® SPRAY NOZZLE



**YOU CAN TELL
IT'S A
BOOMINATOR®
NOZZLE ON SIGHT**
Boominator's® unique round head shape lets you know it is a genuine Boominator® nozzle. It is also patented and with patents pending. Boominator®.



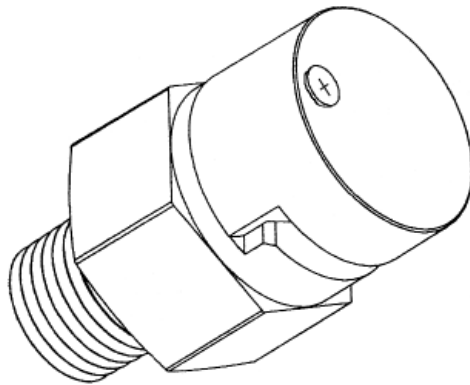
ATV MOUNTED SPRAYER WITH 2 REGULAR PATTERN BOOMINATOR® NOZZLES



TRUCK MOUNTED SHORT PATTERN BOOMINATOR® SPRAY NOZZLES



Made in U.S.A.



YOU CAN TELL IT'S A BOOMINATOR® NOZZLE ON SIGHT.
Boominator's® unique round head shape lets you know it is a genuine Boominator® nozzle. It is also patented and with patents pending. Boominator®.

BOOMINATOR®

BOOMLESS SPRAY NOZZLES
TECHNOLOGY THAT WORKS

DISTRIBUTED BY:

U.S. Patent Numbers D458342, D480125, D473927, D474255, & 7,108,204B2
Other U.S. and Foreign Patents Pending.

WWW.BOOMINATOR.COM
INFO@BOOMINATOR.COM