

DUAL 360

INSTALLATION &
MAINTENANCE GUIDE

COMPOSITE DECKING SYSTEM

2026 EDITION

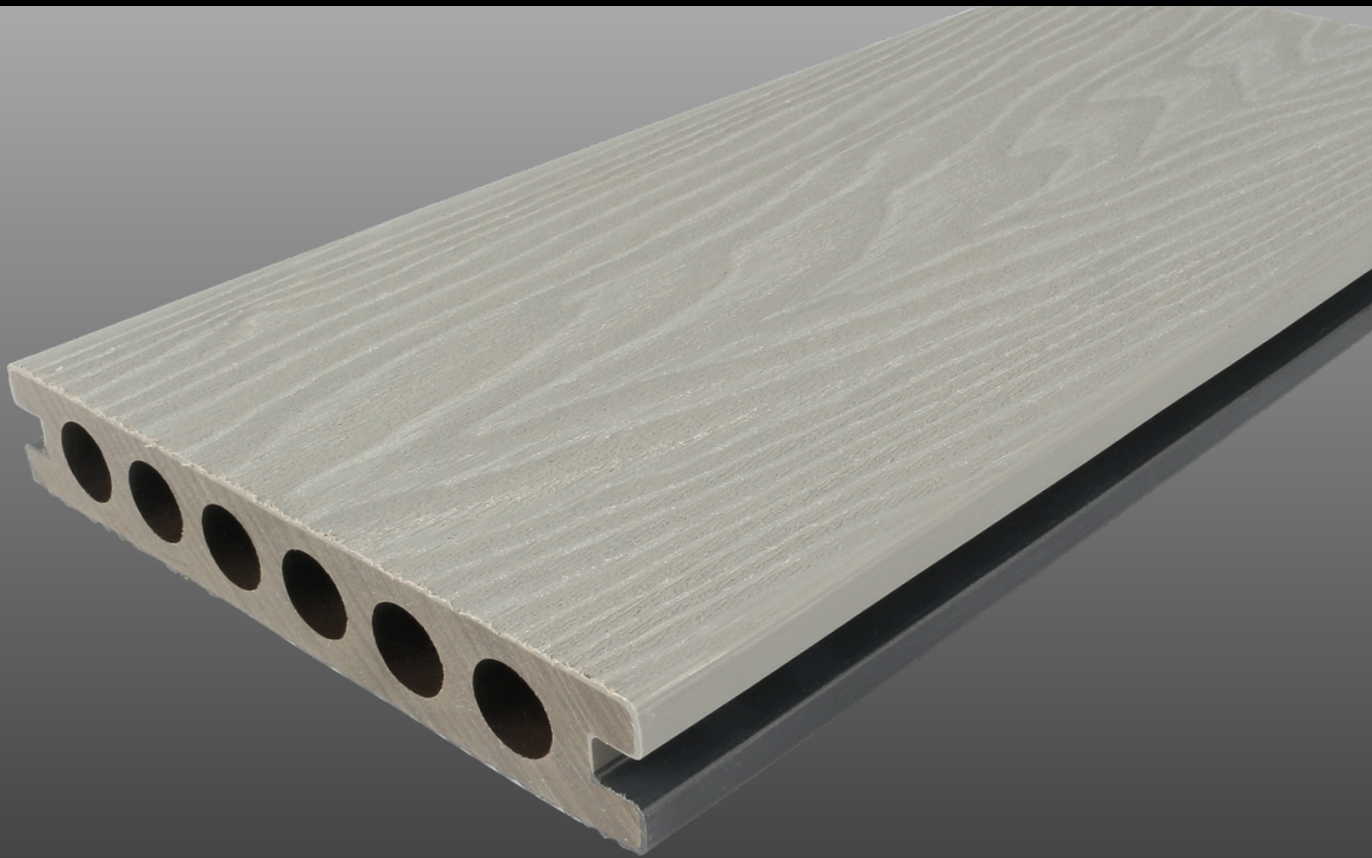


TABLE OF CONTENTS

Page Section

- 3. Storage & Handling
- 4. Installation: Must Read
- 5. Dual 360 System Components
- 6. Recommended Tools
- 7. Installation Preparation
- 8. Board Spacing & Water Run-Off
- 9. Deck Installation
- 10. Deck Installation (Continued)
- 11. Last Deck Board Installation
- 12. Bullnose Edge Board Installation – Parallel to Deck Boards
- 13. Bullnose Edge Board Installation – Perpendicular to Deck Boards
- 14. Fascia Board Installation
- 15. Stair Installation
- 16. Maintenance & Care

STORAGE & HANDLING

STORAGE & HANDLING

To prevent damage during storage, handling, and installation, please follow the guidelines below.

Storage

- Cover materials until installation. If stored outdoors, use an opaque (non-transparent) cover.
- Store all products flat and level, supported above the ground. Supports should be spaced no more than 2 ft (600 mm) apart to prevent bowing.
- Keep stored materials clean and free from dirt, debris, and standing water.

Handling

- Handle Eco Deck materials with care during unloading and installation.
- When removing boards from a bundle, lift and carry them. Do not slide boards against each other.
- Carry long boards on edge and support both ends to prevent bending.
- Do not slide or drag tools, equipment, or materials across the deck surface.
- Keep the deck surface free of construction materials, debris, and waste during installation to prevent damage.
- Each 16 ft deck board weighs approximately 32 lb (14.5 kg). We recommend that two people handle boards during transportation and installation.

ECO DECK INSTALLATION: MUST READ

Always Leave Expansion Gaps

Composite decking expands and contracts with temperature changes. To allow for movement, the following minimum gaps must be maintained:

- Leave a minimum 6 mm (1/4") gap at all board end butt joints.
- Leave a minimum 10 mm (3/8") gap between deck boards and any fixed structure, including walls, posts, foundations, and other solid objects.

Failure to maintain the required expansion gaps may result in board movement, buckling, or warping and may void the warranty.

Use a Double Joist at All Butt Joints

Where two deck boards meet end-to-end, both ends of each board must be fully supported.

- Install a double joist at every butt joint.
- Each board end must be fastened to its own joist.
- Do not fasten two board ends to the same joist.

Failure to properly support butt joints may result in board movement and an uneven deck surface.

Always Provide Adequate Drainage

Proper drainage is essential to prevent standing water on the deck surface.

- Provide a drainage slope of 3–6 mm (1/8"–1/4") per foot away from the structure.
- Ensure water can drain freely from the deck surface and substructure.

It is the customer's responsibility to determine the suitability of Eco Deck products for their project and to ensure compliance with all applicable national, provincial, and local building codes.

DUAL 360 SYSTEM COMPONENTS

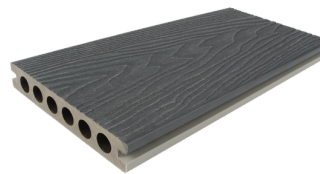
Product Overview

The table below provides the key dimensions and packaging information for Dual 360 composite decking products.

PRODUCT DIMENSIONS

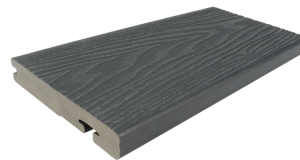
Dual 360 Deck Board

16 ft reversible dual-colour board
16 ft × 5.5 in × 7/8 in
(4880 mm × 140 mm × 22 mm)



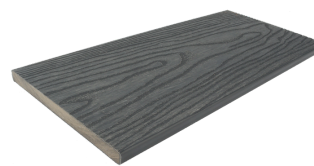
Dual 360 Bullnose Edge Board

Used for picture framing, deck perimeters, and stairs
16 ft × 5.5 in × 7/8 in
(4880 mm × 140 mm × 22 mm)



Dual 360 Fascia Board

Used for rim joists, trim, and deck skirting
16 ft × 5.5 in × 7/16 in
(4880 mm × 140 mm × 11 mm)



FASTENER COMPONENTS & PACKAGING

Dual 360 Hidden Fastener Pack

125 fasteners per pack
(100 Standard Fasteners + 25 Locking Fasteners)

Standard Fastener

Used at every joist



Locking Fastener

One per board



Dual 360 Starter Fasteners

25 fasteners per pack

Starter Fastener

Used for first and last rows & bullnose edges



AVAILABLE COLOURS

Walnut • IPE • Teak • Antique • Ashwood • Dark Grey

Material Estimates:

For help estimating materials, use the Eco Deck Online Calculator or contact Eco Deck.

RECOMMENDED TOOLS FOR INSTALLING ECO DECK PRODUCTS

Standard woodworking tools can be used when working with Eco Deck material. If you are unsure about using any tools, please consult the tool's manufacturer's user manual.

- Safety glasses and appropriate personal protection equipment.
- Circular Saw: For the cleanest cuts, we recommend a sharp, fine-finish carbide-tipped blade suitable for composite decking.
- Power mitre saw for efficiency.

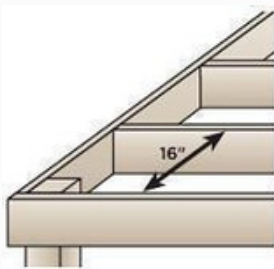
- Jigsaw
- Tape Measure
- Rubber mallet
- Drill/driver
- Impact driver
- Spirit level
- Carpentry square
- Chalk line



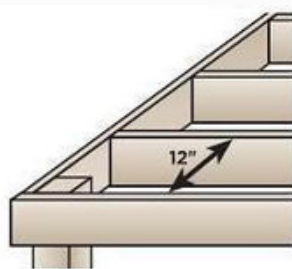
INSTALLATION PREPARATION

Follow these guidelines for the best deck installation

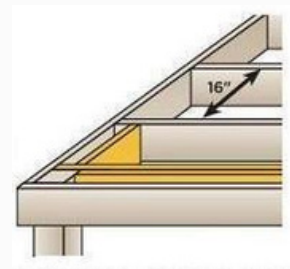
- Dual 360 deck boards feature a reversible dual-colour design. Choose your preferred colour before installation and maintain the same board orientation throughout the project for a consistent finished appearance.
- Before installation, ensure all joists are level, structurally sound, and free from protruding nails or screws.
- Ensure all joists are crowned correctly and level across the top. Dual 360 deck boards will follow the contours of the supporting structure.
- Joist spacing must not exceed 16" (400 mm) on centre. For the most rigid deck surface, Eco Deck recommends 12" (300 mm) on centre joist spacing.
- Ensure all board edges and board ends are fully supported. Additional framing or blocking may be required depending on the deck layout.
- For best results, install solid blocking between joists to help reduce joist movement and create a more uniform finished deck surface.



1. Basic 16"
Joist Spacing
(Maximum)



2. Basic 12"
Joist Spacing
(Recommended)

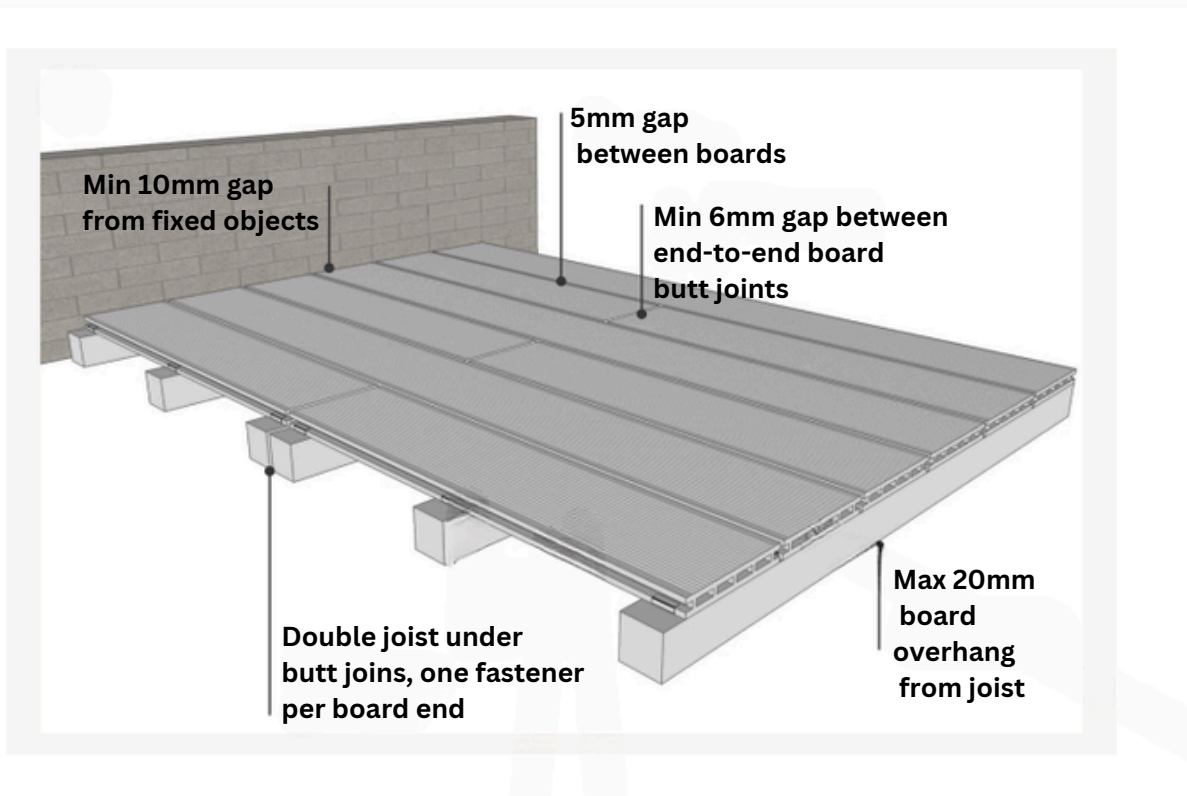


3. Border/Bullnose
Installation with Additional
Framing Support

SPACING THE BOARDS & WATER RUN OFF

Composite decking expands and contracts with temperature changes. The following spacing requirements must be maintained:

- Dual 360 hidden fasteners automatically create a 5 mm (3/16") gap between adjacent deck boards. No additional spacers are required.
- Leave a minimum 6 mm (1/4") gap at all board end butt joints.
- Leave a minimum 10 mm (3/8") gap between deck boards and any fixed structure, including walls, posts, foundations, and other solid objects.
- Deck boards must not overhang supporting joists by more than 20 mm (3/4").
- Provide a minimum drainage slope of 3 mm (1/8") per foot away from the structure.
- Ensure water can drain freely from both the deck surface and the area beneath the deck.



DECK INSTALLATION

You can begin installing your Dual 360 deck boards once the substructure is level, structurally sound, and properly supported.

Note: Refer to the Dual 360 System Components on page 5 for identification of Standard Fasteners, Locking Fasteners, and Starter Fasteners.

INSTALLING THE DECK BOARDS

1. Install the First Board

- Secure the first board using Dual 360 Starter Fasteners. (Fig. 2)
- Install a starter fastener at every joist location.
- Secure each starter fastener to the joist using the supplied screw.
- Clip the first deck board into the starter fasteners. (Fig. 3)

2. Install Standard Fasteners

- Install one Dual 360 Standard Fastener at every joist. (Fig. 4)
- Ensure screws are centred on the joists.
- Dual 360 fasteners automatically create the required 5 mm (3/16") spacing between boards.

3. Install One Locking Fastener Per Board

- Install one Dual 360 Locking Fastener per deck board, regardless of board length.
- Position the Locking Fastener as close as possible to the centre of the board length.
- Secure the fastener to the joist using the supplied screw.
- Pre-drill before installing the second Locking Fastener screw into the board.

⚠ Important: Installing more than one Locking Fastener on the same board will restrict natural board movement and may cause bowing or damage.

4. Board Ends and Butt Joints

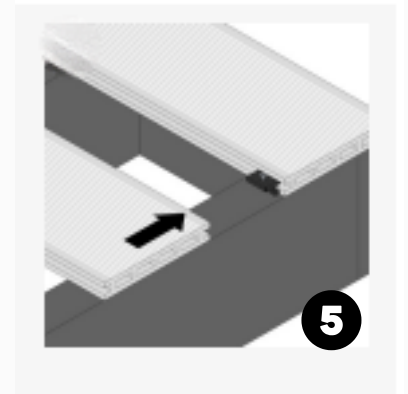
- Always install fasteners at board ends.
- Never share a Fastener between two board ends.
- A double joist is required at all butt joints.



DECK INSTALLATION

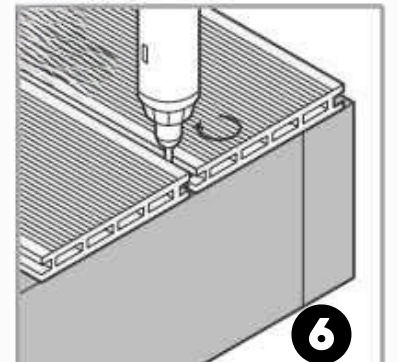
4. Install the Next Board

- Position the next board against the installed fasteners. (Fig. 5)
- Slightly raise the outer edge of the board and slide it onto the fasteners.
- Ensure the board is fully seated against the fasteners.
- Lightly tap into position if required.



5. Secure the Fasteners

- Apply sideward pressure to the board and fully tighten each fastener screw. (Fig. 6)



6. Continue Installation

- Repeat Steps 2–5 until you reach the final boards. (Fig. 7)
- Refer to the next page for last board installation options.



7. Finishing the Deck

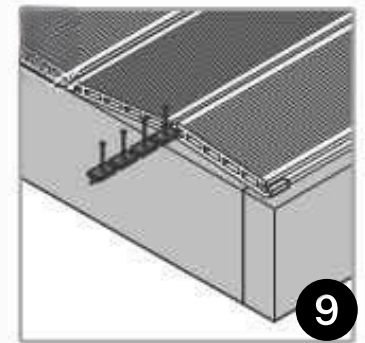
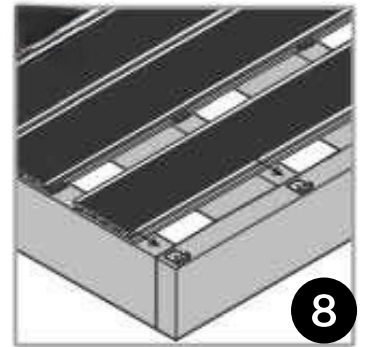
- Complete the installation using Dual 360 Bullnose Edge Boards where a finished border is required.

LAST DECK BOARD INSTALLATION

Option 1 – Starter Fastener Method (Recommended)

Use this method when the final board retains its factory groove.

- Mark the position of the final board on the outer joist.
- Install Dual 360 Starter Fasteners along the outer joist at every joist location. (Fig. 8)
- Clip the final board into the starter fasteners.
- Install the second-last board.
- Insert Dual 360 Standard Fasteners between the final two boards. (Fig. 9)
- Apply sideward pressure to ensure the boards are fully seated against the fasteners.
- Tighten all fastener screws.



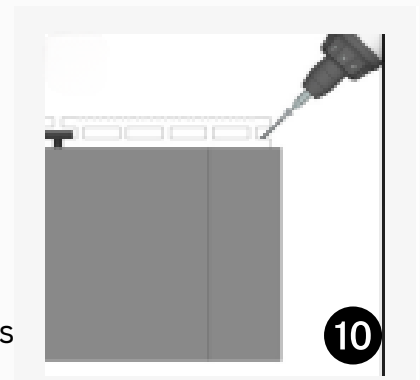
Option 2 – Angled Screw Method

Use this method when the final board has been ripped, and the factory groove has been removed.

- Install the final board in position.
- Pre-drill pilot holes through the lower edge of the board.
- Secure the board to the joists using angled screws. (Fig. 10)
- Do not over-tighten screws.

Important

- If the final board must be ripped to fit and the factory groove is removed, use the Angled Screw Method.
- Ensure the required expansion gaps are maintained around all fixed objects and structures.



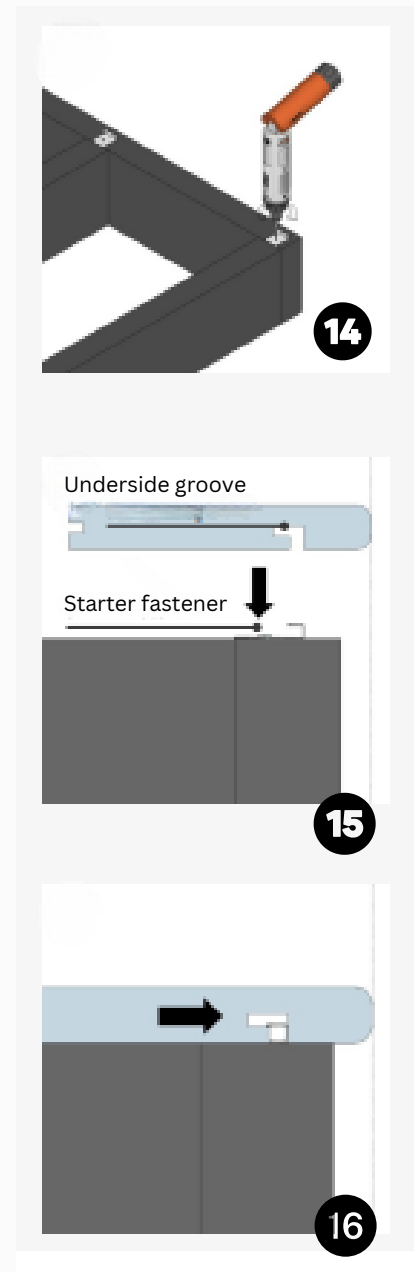
BULLNOSE EDGE BOARD INSTALLATION

Parallel to Deck Boards

Dual 360 Bullnose Edge Boards can be used to create a finished border around the perimeter of a deck or staircase.

- Leave a minimum 6 mm (1/4") gap at all bullnose board butt joints.
- Install bullnose boards before installing the main deck boards.

1. Where bullnose boards meet at corners, mitre the ends at 45° angles.
2. Install Dual 360 Starter Fasteners along the outer joist at every joist location. (Fig. 14)
3. Position the bullnose board over the starter fasteners. (Fig. 15)
4. Push the board forward until it locks into place. (Fig. 16)
5. Secure the inner edge of the bullnose board using Dual 360 Standard Fasteners.



BULLNOSE EDGE BOARD INSTALLATION

Perpendicular to Deck Boards

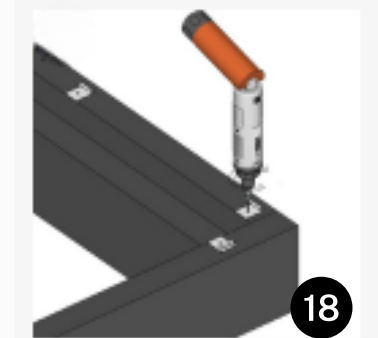
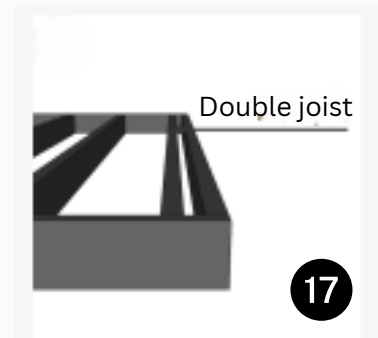
1. Where deck board ends meet the bullnose board, a double joist is required to provide full support for each board end. (Fig. 17)

2. Install Dual 360 Starter Fasteners along the outer joist at every joist location. (Fig. 18)

3. Position the bullnose board over the starter fasteners.

4. Secure the inner edge of the bullnose board using angled screws through the fastening groove. (Fig. 19)

- Pre-drill all pilot holes before installing screws.
- Do not over-tighten screws.



FASCIA BOARD INSTALLATION

FASCIA BOARD INSTALLATION

Dual 360 Fascia Boards may be installed vertically, horizontally, or as stair risers.

Before You Start

- Ensure adequate airflow beneath the deck and avoid installing fascia boards in direct contact with the ground.

Installation

1. Position the Fascia Board

- When using standard deck boards as a border, install the fascia board against the side of the deck to conceal the exposed groove.
- When using Dual 360 Bullnose Edge Boards, the fascia board may be installed beneath the bullnose board to create a clean finished edge.
- Position the fascia board to create a flush 90° finish. (Fig. 27)

2. Pre-drill pilot holes before installing screws. (Fig. 26)

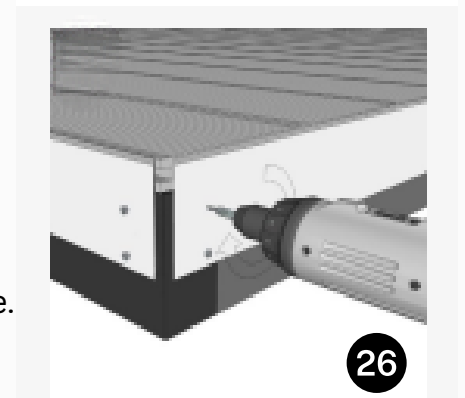
3. Leave a minimum 6 mm (1/4") gap where fascia board ends meet.

4. Secure the fascia board to the substructure using Dual 360 colour-matched fascia screws, or suitable exterior-grade composite fascia screws.

- Use two screws at each framing member.

- Do not over-tighten screws.

⚠ Important: Do not use adhesive to secure fascia boards. Adhesive may restrict the fascia board's natural expansion and contraction, resulting in bowing, distortion, or damage.



INSTALLATION ON STEPS & STAIR

STAIR INSTALLATION

Stair design and construction requirements vary by location. The installer is responsible for ensuring all stair framing, dimensions, and construction methods comply with local building codes.

Dual 360 Bullnose Edge Boards are recommended for the front edge of each stair tread to provide a strong, finished nosing.

Do not use standard grooved deck boards as the front stair nosing. Dual 360 Bullnose Edge Boards are recommended for the front edge of each stair tread.

Standard Dual 360 Deck Boards may be used for the remaining tread surface. Dual 360 Fascia Boards or standard deck boards may be used as stair risers.

Stair Tread Installation

- Install the Bullnose Edge Board at the front of the stair tread.
- Install the remaining deck boards using the same spacing and fastening requirements described in the Deck Installation section.
- Maintain all required expansion gaps.

Stair Riser Installation

- Fascia boards or standard deck boards may be used as stair risers.
- Pre-drill pilot holes before installing screws.
- Do not over-tighten screws.
- Leave a minimum 6 mm (1/4") gap where board ends meet.

MAINTENANCE & CARE

MAINTENANCE & CARE

Dual 360 composite decking is designed to be low maintenance. Periodic cleaning will help keep your deck looking its best.

Dirt & Grime

- Keep the deck surface clean and free of leaves, dirt, pollen, and other debris.
- Periodic cleaning will help reduce the build-up of dirt, grime, and mildew.

Spot Stains

- Clean spills as soon as possible using warm water and a mild household cleaner.
- For stubborn stains, use a composite decking cleaner and follow the manufacturer's instructions.

Cleaning

- Clean the deck using warm soapy water and a soft-bristle brush.
- A pressure washer may be used with appropriate care.
- Always spray in the direction of the board grain.
- Use a fan-tip nozzle and maintain a safe distance from the deck surface.
- Thoroughly rinse the deck after cleaning.