



Barn Hunt Trials

Friday, Saturday, and Sunday
Oct 25, 26, and 27th, 2024 at 8:00am

Hosted by Gold Country Pet Resort
At

Dixon May Fairgrounds

655 S 1st St,

Dixon, CA 95620

Outdoors/Covered/Open Sided

Judge: Jen Bailey (BHAJ – 200A) Auberry, CA

Will be judging all classes for this event

Judges are limited to 8 hours of judging and a maximum run value, which will require this club to limit entries accordingly.

Open to all Breeds and Mixed Breeds of all sizes!

Online Entry: Trial: <https://form.jotform.com/231377675197166>

Mail In Entry: Mail in complete entries to –

Gold Country Pet Resort

6355 State Highway 104

lone, CA 95640

Trial Secretary: Mike Flores, 209-223-9663, Goldcountrypetresort@gmail.com

Trail Chair: Cherie Flores, 209-223-9663, Goldcountrypetresort@gmail.com

Trial Committee Members: Laurie Issacson, , Kerry Blackwell, Mike Flores

Pre Entries Open Aug 1, 2024 and Close Oct 17th, 2024 or when full. Limited Entries

Late Entries and Day of Show Entries allowed. Late and/or Day of Show entries are not a guaranteed entry and will be accepted only up to judging limits. Confirmations will not be sent for late entries.

Entry Fees – Pre Entry: Instinct \$20; Novice & Open \$25; Senior, Master, Crazy 8s \$30

Entry Fees – Late/Day Of: Instinct \$23; Novice & Open \$30; Senior, Master, Crazy 8s \$35

Run Order

Trials, Friday, Saturday, & Sunday start 8:00 am, Registration begins at 7:30am:

Instinct; Novice Trial 1, Novice Trial 2; Open Trial 1, Open Trial 2; Crazy 8s Trial 1; Senior Trial 1, Senior Trial 2, Crazy 8s Trial 2, Master Trial 1, Master Trial 2

Directions:

Follow the directions to Dixon May Fairgrounds – 655 1st St, Dixon, CA 95620

Venue: We will be in the Sheep Barn. There will be parking at that location. The venue will be on dirt, with a covered pavilion, open air sides. Parking will be on site. Crating will be on site in Barn, shaded and plenty of room for crating.

Classes offered :

Friday, Saturday, and Sunday, same schedule: One Instinct, Two Trials, Two Crazy 8s Trials

Pre-Entries -- \$20 Instinct; \$25 Novice, Open; \$30 Senior, Crazy 8s, Master

Cost for Late & Day Of Entries -- \$23 Instinct; \$30 Novice, Open, \$35 Senior, Master, Crazy 8s

Registration begins at 07:30am

Instinct begins at 8:00 a.m. followed Novice Trial 1, Novice Trial 2; Open Trial 1, Open Trial 2; Crazy 8s Trial 1, Senior Trial 1, Senior Trial 2; Crazy 8s Trial 2; Master Trial 1, Master Trial 2

Running Order:

The running order will be posted at the score table and in the blind for each trial. All requests for running order changes must be approved by the Trial Secretary. Move Ups/downs/lateral will be allowed trial-to-trial.

Master Blind:

Blind description: size 10x15, 5 per blind, masters 4/blind, undercover in the pavilion

Awards:

Awards are handed out at the awards table.

All Classes:

Qualifying Score: Brown Flat Ribbon

Novice and Above:

Rosettes are offered for new titleholders.

High In Class Rosettes

Ribbons are offered for First through Fourth place in each height division.

Notice to Exhibitors:

- This event is open to all dogs 6 months of age and older.
- Please be familiar with Rules and Regulations at <https://barnhunt.com/barnhuntrules.html>
- Withdrawal of entry before the closing date will receive a refund less a \$5 processing fee.
- Refunds will be mailed 7 days after the event.
- No refunds will be made for cancellations after the closing date or entries which are absent, disqualified, excused or barred from competition by decision of the Trial Committee
- Exhibitors are responsible for complete accurate and legible information on their entry forms.
- It is expressly understood that exhibitors alone are responsible for behavior of their dogs, children and/or guests. Any exhibitor whose dogs, children and/or guests repeatedly engage in unsafe or disruptive behavior may, at the discretion of the Trial Committee, be asked to leave the trial site. In such case, no refund on any entry will be made.
- All dogs must be on leash at all times except when in the ring.
- Exhibitors are responsible for being in the staging area when it is their turn to run.
- Please be courteous and pick up after your dog.
- All entries must be accompanied by entry fees to be valid. A declined payment or returned check does not constitute a valid entry. There will be a \$40 fee for any returned check or payment. Checks must be made payable to G CPR. Entries where payment has not been received within 7 days of receipt of entry will be cancelled. Dogs may enter both Instinct and Novice in the same trial until the dog has earned the RATN title. A dog that has earned an RATN may no longer enter the Instinct Test. Exception: If the dog is already entered in Instinct at the trial and earns its Novice title, it may continue to compete in Instinct for that weekend only.

- Dogs must be eligible to run a class at the time of entry. Dogs who complete a title at a trial may move up, at the discretion of the handler, in the next trial. Please make move-up requests at the score table before the lunch break or before leaving the afternoon trial. Handlers are responsible for making the request in time for the move-up to be processed.

Results

- Please check your results at the event. It is much easier to fix an incorrect score BEFORE the results are sent into Barn Hunt Association. It is
- the handlers responsibility to make sure all information and scores are correct.

Bitches in season:

- are eligible for entry but will be required to be kept separate from all other dogs and will be run at the end of their class/trial. Full refund for bitches in season less any PayPal or Credit Card fees processing fee, up to 48 hours before the event. After this time no refunds will be given. If bringing a bitch in season, please inform the Trial Secretary prior to the trial and inform all exhibitor’s at the judge’s briefing.

■ Part 14: Regular Classes

SECTION 1. A and B Classes

Novice, Open, Senior, and Master are split into A and B divisions. All competitors enter each class level in the A division until they finish the title at that level. Once a competitor finishes a title from the A division, they are no longer eligible to compete at that level in an A class and must either move up, over (lateral move) or down. Extra scores earned in A do not carry over to B classes. Competitors are responsible for entering the correct class.

SECTION 2. What Class to Enter

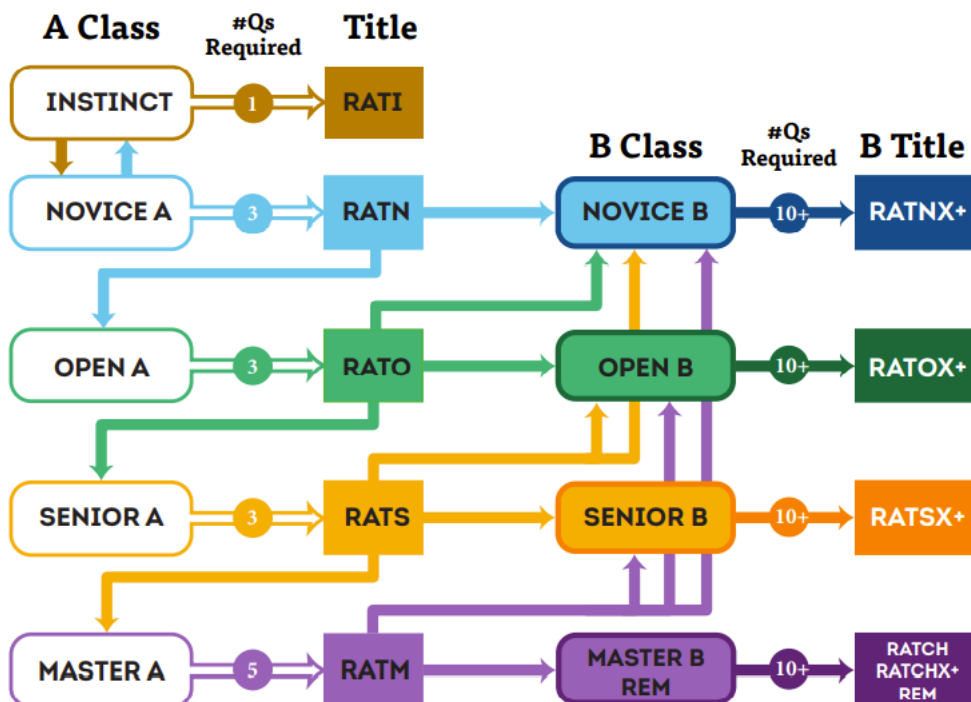
When sending in an entry prior to the Event, the Class entered depends on titles previously earned. Competitors can enter their dog in any class that dog is eligible for, including B classes at a lower level (for example, a dog with a RATM can enter either Master B, Novice B, Open B, or Senior B).

1. Some Clubs may offer options to enter more than one class type per Event (e.g. Open B on Saturday and Senior A on Sunday). Class options will be listed in the Premium.
2. Dogs cannot be entered in a class they are not yet eligible to enter. Any dog entering a class they are not eligible to enter will have any and all qualifying scores removed for that class.

SECTION 3. Moving Up, Down, or Over During an Event

Competitors can move up, down or over (A to B at the same level) during any Event where those choices are offered. Dogs achieving RATM from Master A must move to Master B for RATCH and RATCHX and above.

CLASS TYPE AND ELIGIBILITY FOR ENTRY FLOW CHART, REGULAR CLASSES



Gold Country Pet Resort & Training Center

Licensed Barn Hunt Trials

Friday 10/25	Saturday 10/26	Sunday 10/27
Instinct Trial 1 <input type="checkbox"/>	Instinct Trial 3 <input type="checkbox"/>	Instinct Trial 5 <input type="checkbox"/>
Novice Trial 1 <input type="checkbox"/> Trial 2 <input type="checkbox"/>	Novice Trial 3 <input type="checkbox"/> Trial 4 <input type="checkbox"/>	Novice Trial 5 <input type="checkbox"/> Trial 6 <input type="checkbox"/>
Open 1 <input type="checkbox"/> Trial 2 <input type="checkbox"/>	Open Trial 3 <input type="checkbox"/> Trial 4 <input type="checkbox"/>	Open Trial 5 <input type="checkbox"/> Trial 6 <input type="checkbox"/>
Senior 1 <input type="checkbox"/> Trial 2 <input type="checkbox"/>	Senior Trial 3 <input type="checkbox"/> Trial 4 <input type="checkbox"/>	Senior Trial 5 <input type="checkbox"/> Trial 6 <input type="checkbox"/>
Master 1 <input type="checkbox"/> Trial 2 <input type="checkbox"/>	Master Trial 3 <input type="checkbox"/> Trial 4 <input type="checkbox"/>	Master Trial 5 <input type="checkbox"/> Trial 6 <input type="checkbox"/>
Crazy 8s 1 <input type="checkbox"/> Trial 2 <input type="checkbox"/>	Crazy 8s Trial 3 <input type="checkbox"/> Trial 4 <input type="checkbox"/>	Crazy 8s Trial 5 <input type="checkbox"/> Trial 6 <input type="checkbox"/>
Check Here for Class B <input type="checkbox"/>		

Check appropriate boxed above, Instinct and Novice may be entered at the same trial. For all other classes, only one class/level per trial allowed. Only enter the class for which your dog is eligible.

Pre Entry Fees: Instinct \$20; Novice, Open \$25; Senior, Master, Crazy 8s \$30

Late Entry/Day Of Fees: Instinct \$25; Novice, Open \$30; Senior, Master, Crazy 8s \$35

Checks made payable to: Gold Country Pet Resort

Mail Entries to: Gold Country Pet Resort 6355 State Highway 104, Lone, CA 95640

I enclose entry fees in the amount of: \$ _____

Name of Owner's Agent? Handler (if any) _____

*BHA Registration #: _____ Date of Birth: _____ Sex: _____

Full Name of Dog: _____

Call Name: _____ Breed _____

Actual Height: _____ Height Class: ** S M L

Owner(s): _____

Owner's Address: _____

City: _____ State _____ Zip _____

*Barn Hunt Registration number required for valid entry. Register your dog online at www.barnhunt.com

** S = 15" and under, M = 15.1" to 22", L = over 22"

Agreement

I (we) agree that the club holding this event has the right to refuse this entry for cause which the club shall deem sufficient. In consideration of the acceptance of this entry and of the holding of this event and of the opportunity to win prizes, ribbons, and/or trophies, I (we) agree to hold Barn Hunt Association, LLC, Gold Country Pet Resort & Training Center, their members, directors, governors, officers, agents, or event secretary and the owner and/or lessor of the premises and any provider of services that are necessary to hold this event and any employees or volunteers of the aforementioned parties, and any BHA LLC approved judge, judging at this event, harmless from any claim for loss or injury which may be alleged to have been caused directly or indirectly to any person or thing by the act of this dog while in or about the event premises or grounds or near any entrance thereto, and I (we) personally assume all responsibility and liability for any such claim; and I (we) further agree to hold the aforementioned parties harmless from any claim for loss, injury or damage to this dog. Additionally, I (we) hereby assume the sole responsibility for and agree to indemnify, defend and save the aforementioned parties harmless from any and all loss and expense (including legal fees) by reason of the liability imposed by law upon any of the aforementioned parties for damage because of bodily injuries, including death at any time resulting therefrom, sustained by any person or persons, including myself (ourselves), or on account of damage to property, arising out of or in consequence of my (our) participation in this event, however such, injuries, death or property damage may be caused, and whether or not the same may have been caused or may be alleged to have been caused by the negligence of the aforementioned parties or any of their employees, agents, or any other persons.

Signature of owner or his agent duly authorized to make this entry: _____

Telephone: _____ Email: _____