

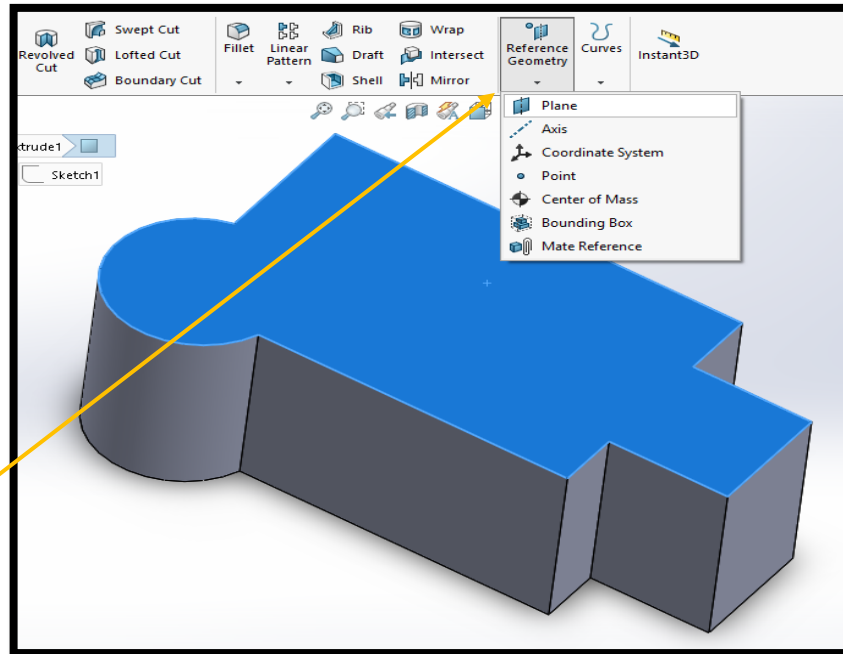
SOLIDWORKS SKILL: SWEEPED CUT

By following these steps and sequences, you must have already added, trimmed, and combined all shapes to an extruded object (*Tutor Guide 1*) and is now ready to be cut using this technique.

Step 1

Click once (1) on the surface you want to work on. Be sure that it has turned blue.

- Click once (1) on the “Reference Geometry” Tab
- Select the “Plane” Option

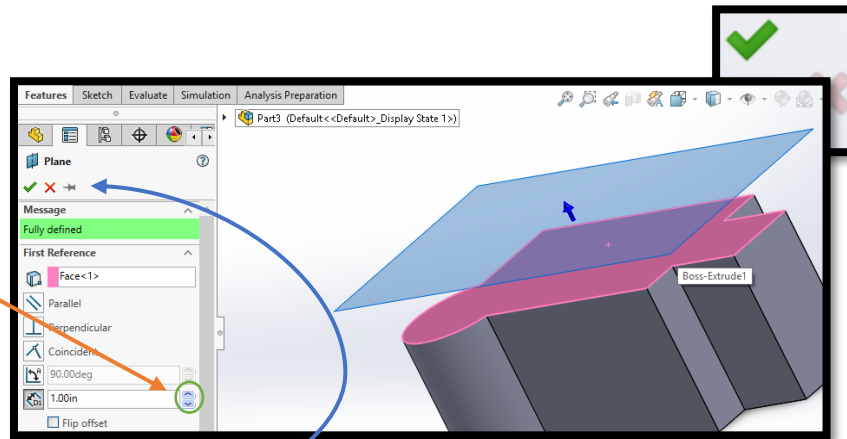


Note: Make sure you are in the Feature tab to see these options.

Step 2

Adjust the new Plane to the necessary distance.

Adjustments complete? Click on the **Green** Checkmark at the located on the right and left sides of your screen.




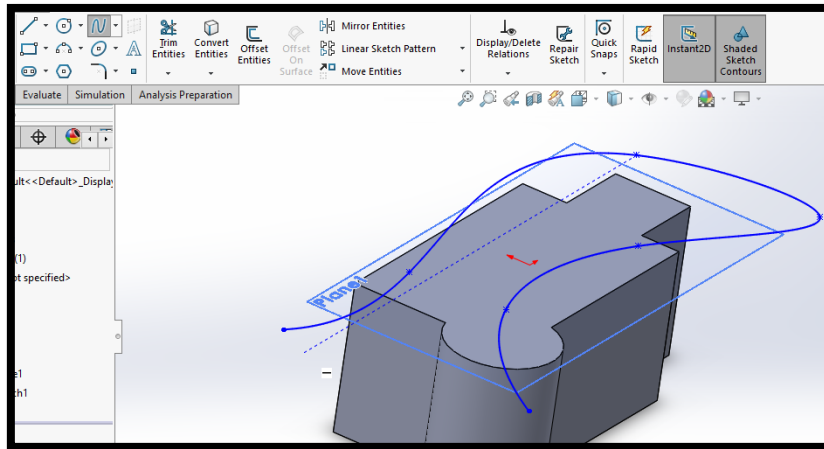
Recall: Click on the BLUE arrow to release your sketch.

SOLIDWORKS SKILL: SWEEPED CUT

Step 3

After the Plane is active, select a drawing tool like the Spline to make your path on the Plane.

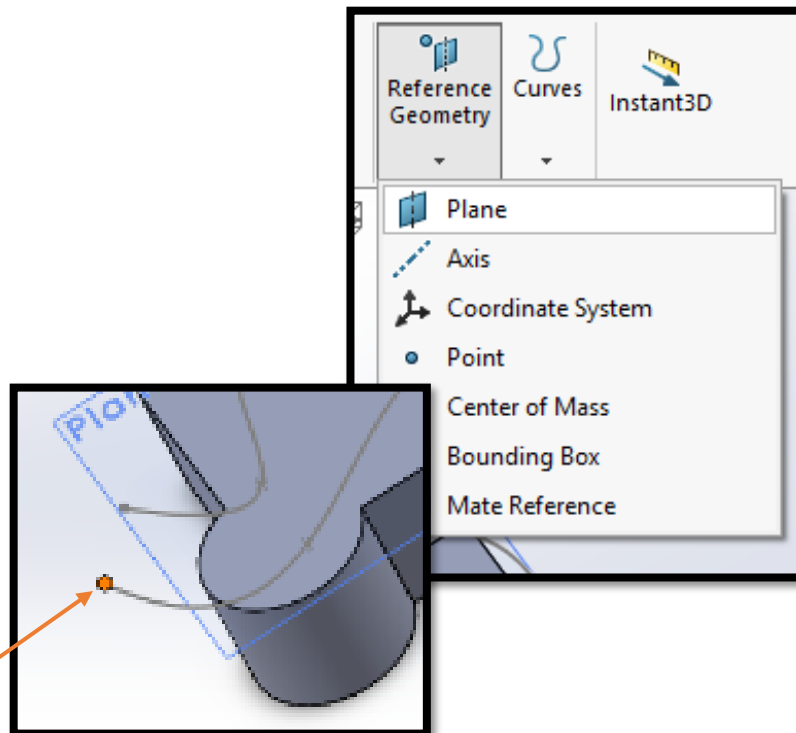
Once the path is complete, select this icon on the  side of your screen to release your drawing.



Step 4

Remember the steps (*Step 1*) for creating a new Plane? Repeat them here, but first click on Reference Geometry and select "Plane."

Slowly move your mouse cursor to the tip of the path. Make sure it has turned orange before clicking on it.



SOLIDWORKS SKILL: SWEEPED CUT

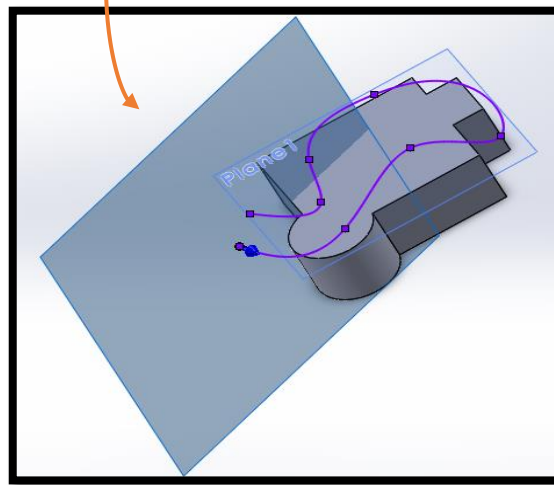
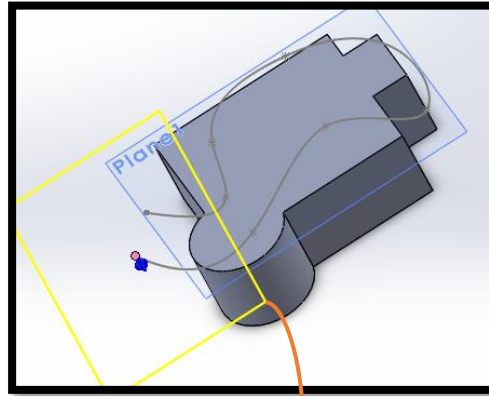
Step 5

After correctly clicking on the right spot, a yellow box appears.

To finish, click on the line (**PATH**) made by the Spline tool.

NOTE:

If you correctly followed the steps, the yellow box now is a shade of blue and facing the entrance to the path.

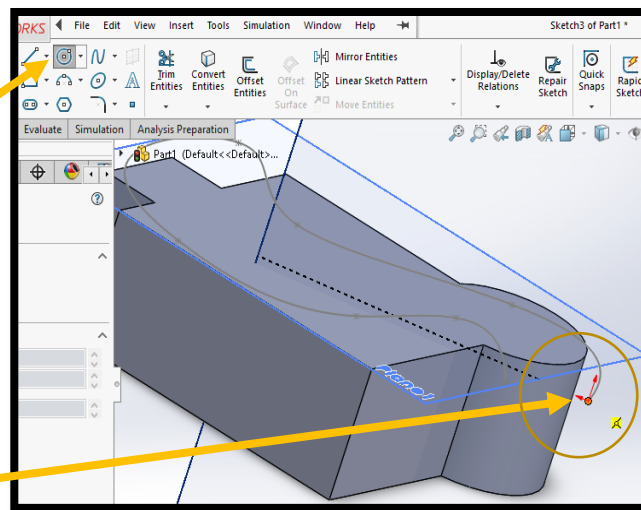


Note: Click on the Green Checkmark to complete your steps:



Step 6

On the new **ACTIVE** Plane, place a shape from the Sketch tab to the same tip used to place the Plane. NOTE: Look for the tip turning orange before clicking on it.



HOW TO spot an active PLANE:


Look for (8) eight light blue dots

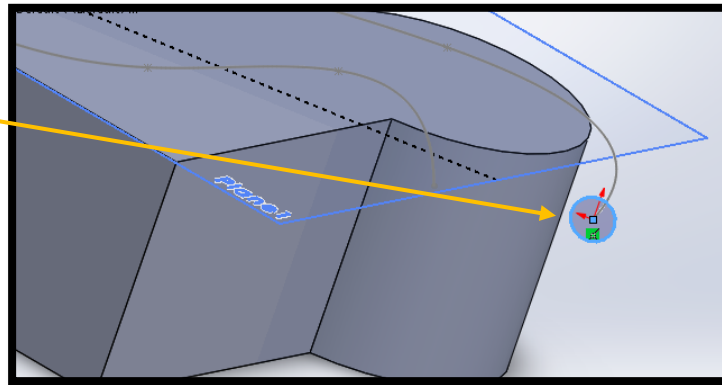


around the rectangle that marks the Plane.

SOLIDWORKS SKILL: SWEEPED CUT

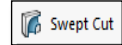
Step 7

Once the shape has been put on the tip, click on this  icon on the left side of your screen to exit your sketch.



REVIEW

For the

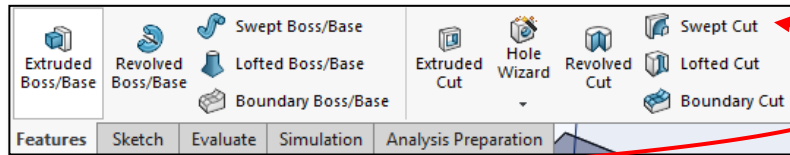


technique, you must have:

- New Plane
- A Cutting Shape
- A Cutting Path

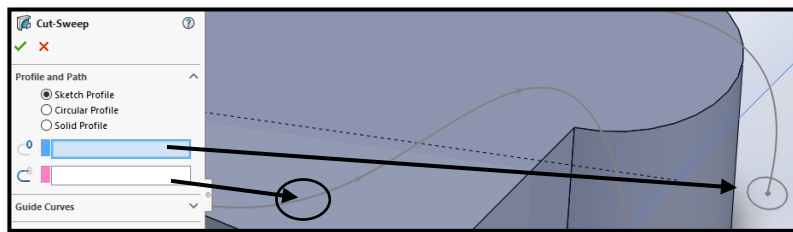
Step 8

In the Features Tab, click on the Swept Cut button.



Step 9

1st: Select the cutting shape.
2nd: Select the path.




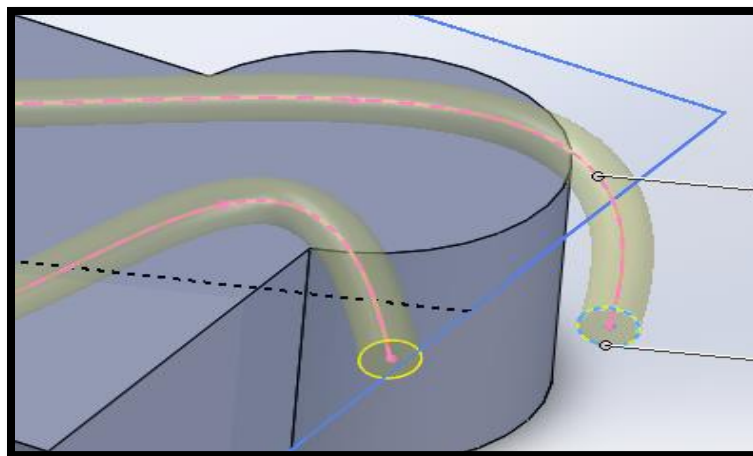
Recall:
Click on the Green Checkmark to complete your steps



Step 10

Immediately after clicking on the path, the shaded cord will appear.

If you are satisfied with the results, click: 



SOLIDWORKS SKILL: SWEPT CUT

Next Technique...

