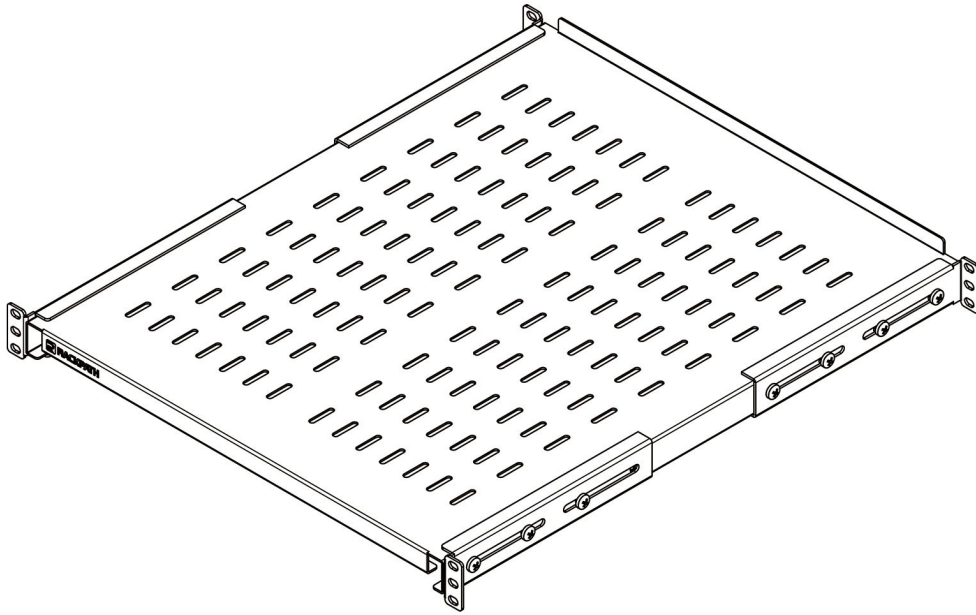


1U Adjustable 4-Post Server Rack Shelf



THIS MANUAL APPLIES TO THE FOLLOWING SKUs:

00600521

Thank you for purchasing the 1U Adjustable 4-Post Server Rack Shelf from RackPath. Every effort has been made to ensure the accuracy of the information in this product manual.

Important Safety Instructions

After you have received the 1U Adjustable 4-Post Server Rack Shelf from RackPath, check the product and any kit if provided to ensure that all of the components and hardware items have been received with it. If any components are missing or damaged, email or call RackPath. It is advised that the installation be performed by a professional installer. This warranty is void if the product fails as a result of damage caused by incorrect installation, product change, or a consumer act or omission. RackPath would not be liable for any incidental or consequential losses arising from the product's use and/or implementation. The instructions provided on in our product manuals are based on industry accepted best practices. RackPath accepts no responsibility for any noncompliant installations of the products and reserves the right to void the warranties of improperly installed products.

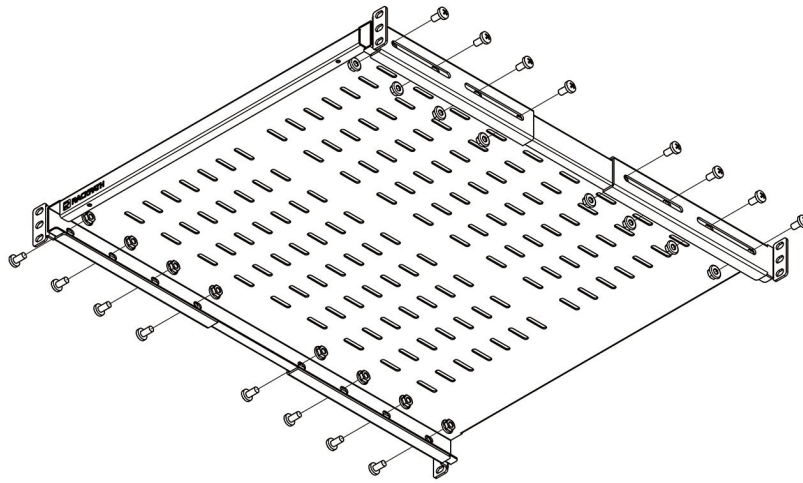
Use of Trademarks, Registered Trademarks, and other Protected Names and Symbols

This manual may make reference to trademarks, registered trademarks, and other protected names and/or symbols of third-party companies not related in any way to RackPath. These references are provided for informational purposes only and do not represent an endorsement of a product or service by RackPath, or an endorsement of the product(s) to which this manual applies by the third-party company in question. Regardless of any direct acknowledgement elsewhere in the body of this document, RackPath hereby acknowledges that all trademarks, registered trademarks, service marks, and other protected names and/or symbols contained in this manual and related document are the property of their respective holders.

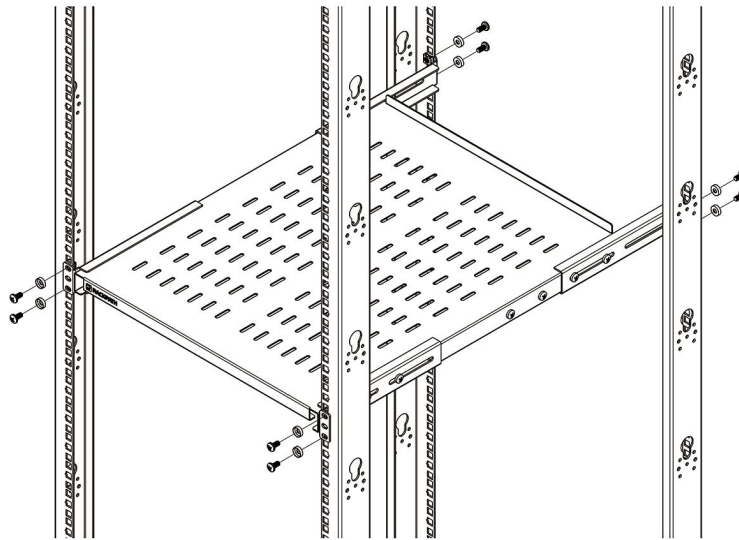
Limitations of Liability: RackPath Network Equipment (Yunnan) Co. Ltd will not be responsible for any injury or damage, whether direct or indirect, special, punitive, incidental, or consequential damages (including, but not limited to, lost profits or revenue, loss of use, lost business opportunities, or loss of goodwill), or the costs of procuring substitute products, arising out of or in connection with the use of the product. In no case can seller's gross accumulated liability, arising from all causes of action and theories of liability, exceed the total sums actually charged by customer to seller under the order giving rise to any liability hereunder.

Installation

Bottom View



- Remove/loosen the M6 Screws and M6 Flange Nuts.
- Adjust the ear brackets to the desired depth and reattach them.



- Use the included M6 Mounting Screws, M6 Cage Nuts and M6 Plastic Washers to secure your 1U Adjustable 4-Post Shelf to the front and back rails of the rack.

Warning: The shelf has a weight capacity of 242 pounds when evenly distributed and attached to 4 posts.

Accessories List

- | | |
|----------------------|-----|
| • M6 Mounting Screws | x10 |
| • M6 Cage Nuts | x10 |
| • M6 Plastic Washers | x10 |