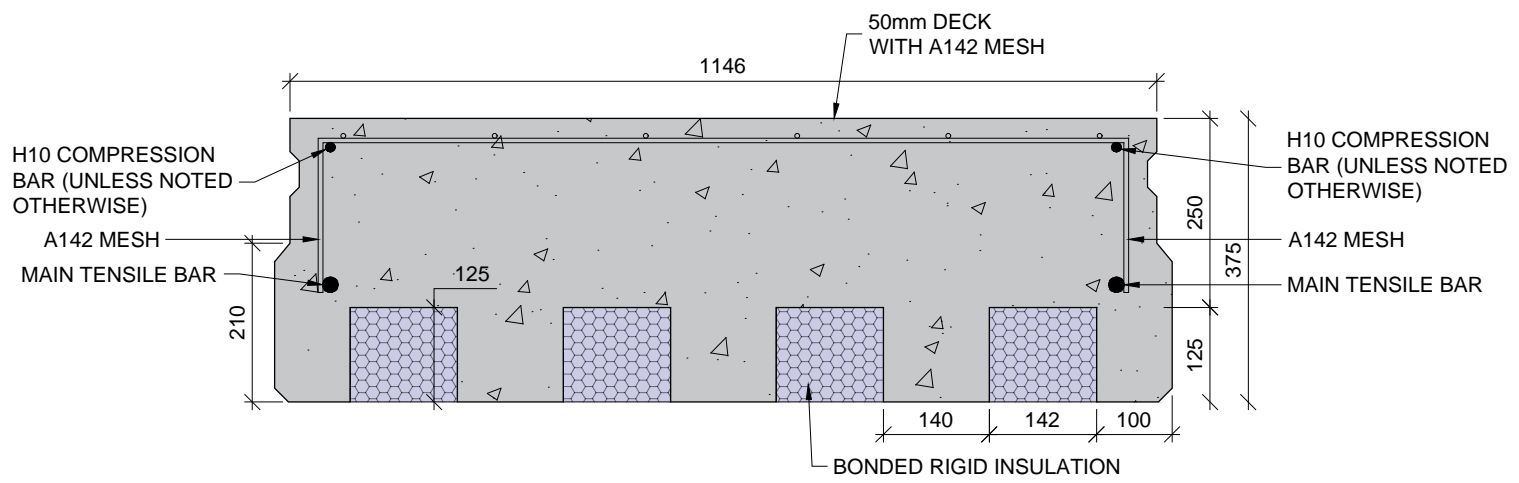
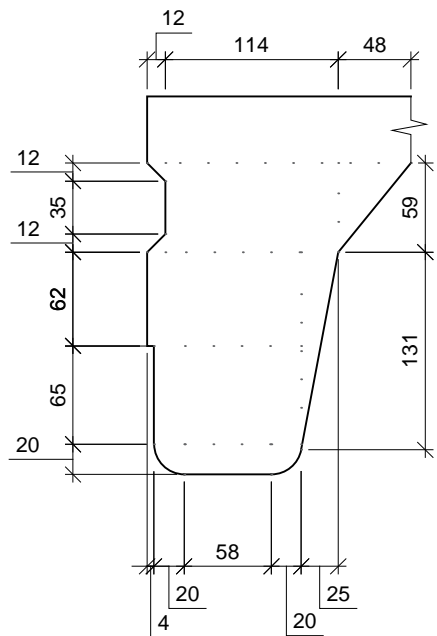


GROUND FLOOR SLAB SECTION MID-SPAN
SCALE 1:10



GROUND FLOOR SLAB SECTION AT END BEARING
SCALE 1:10



DETAIL 01:
GEOMETRY OF SUPPORTING SIDE BEAM
SCALE 1:5



Kilcotton,
Borris-in-Ossory,
Co. Laois,
R32 P9D0

Tel: +353 (0) 57 873 8579
Email: info@hithermhomes.com
Web: www.hithermhomes.com

CLIENT: HI-THERM HOMES

ARCHITECT:

PROJECT: HI-THERM HOMES

TITLE: PRECAST GROUND FLOOR SLAB: "THERMFLOOR"
GROUND FLOOR SLAB SECTIONS AND DETAILS

DATE: 07/06/2023

DRAWING NO: 20-041-S-20

-REVISION-

DRAWN BY: SK

APPROVED BY: AMG

SCALE: 1:5 & 1:10 @ A3

STAGE: INFORMATION