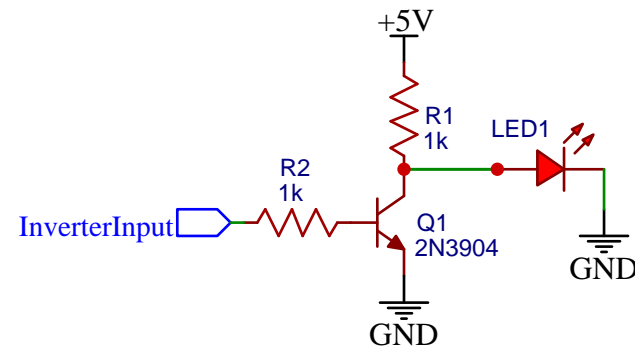
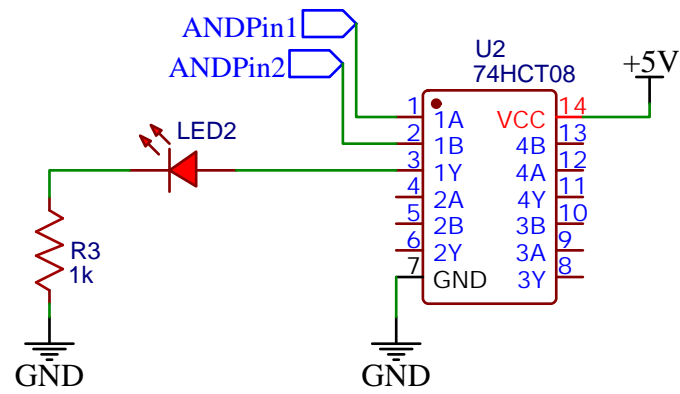


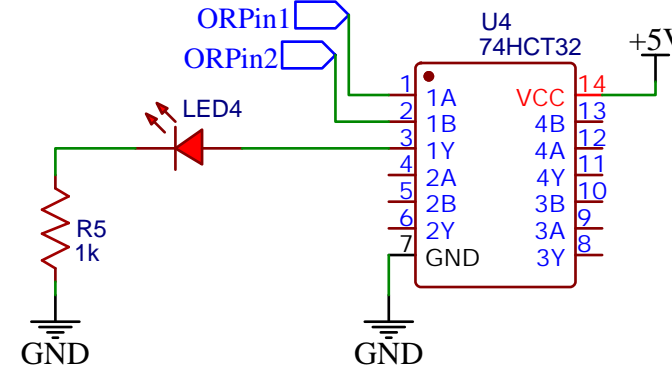
### Inverter



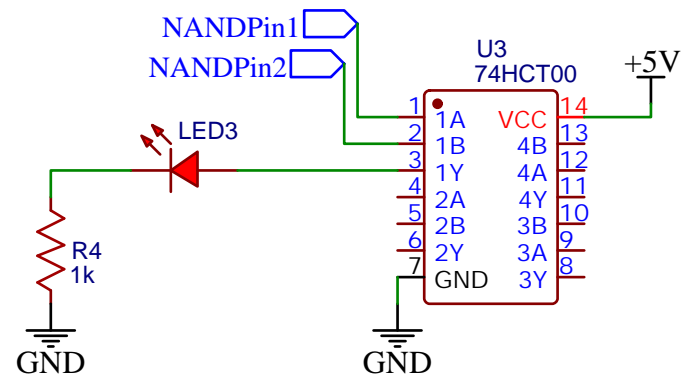
### AND Gate



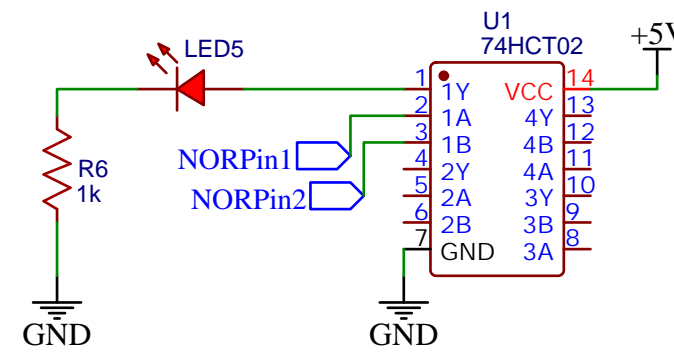
### OR Gate



### NAND Gate



### NOR Gate



TITLE: Back to Basics - Logic Gates		REV: 1.0
Company: Pony80		Sheet: 1/1
Date: 2022-07-08		Drawn By: PonytailBob