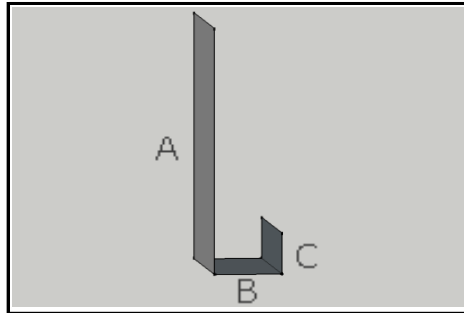
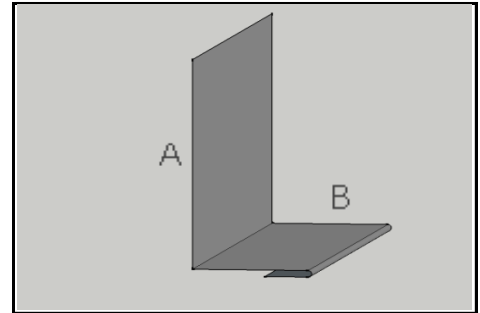


BASE/DRIP CAP		A	B
II-6	DC-01	3" x 5/8"	
FC-36 & I-9	DC-02	3" x 7/8"	
SL-12 & Corr	DC-03	3" x 1"	
FR/FA Panel	DC-04	3" x 1 3/8"	
SS-16	DC-05	3" x 1 5/8"	

\*Flashing will have 5 deg slope.

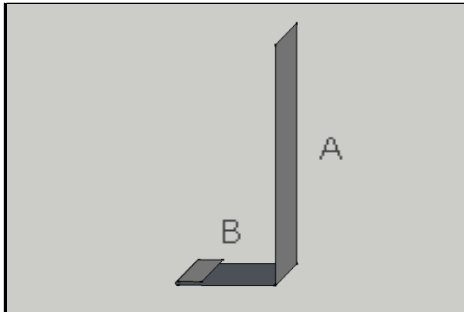


DOOR JAM		A	B	C
	DJ-01	7 1/4" x 15/8" x 1"		
	DJ-02	9" x 15/8" x 1"		

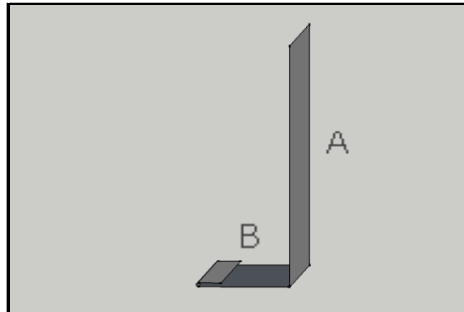


DECK/CONCRETE BASE		A	B
II-6	BF-01	3" x 5/8"	
FC-36 & I-9	BF-02	3" x 7/8"	
SL-12 & Corr	BF-03	3" x 1"	
FR/FA Panel	BF-04	3" x 1 3/8"	
SS-16	BF-05	3" x 1 5/8"	

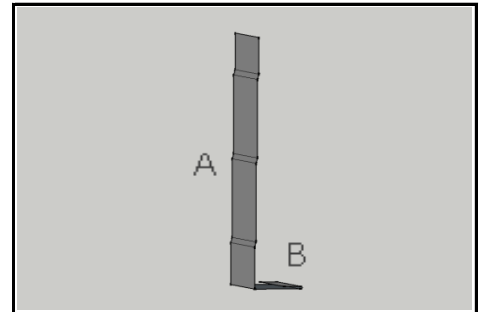
\*Flashing will have 5 deg slope.



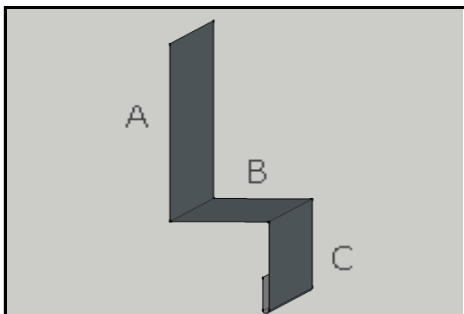
FASCIA FLASHING		A	B
	FF-04	4" x 1.5"	
	FF-06	6" x 1.5"	
	FF-08	8" x 1.5"	
	FF-10	10" x 1.5"	
	FF-12	12" x 1.5"	



FASCIA FLASHING		A	B
	FF-04a	4" x 1"	
	FF-06a	6" x 1"	
	FF-08a	8" x 1"	
	FF-10a	10" x 1"	
	FF-12a	12" x 1"	

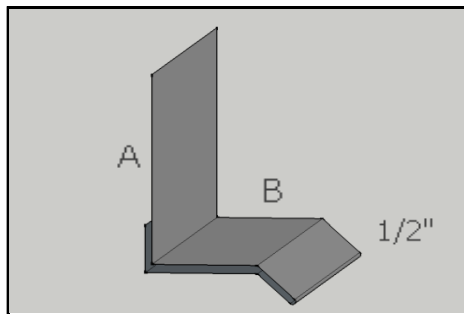


FASCIA WITH LINES		A	B	#Line
	FF-04b	4"	1.5"	*1
	FF-06b	6"	1.5"	*2
	FF-08b	8"	1.5"	*3
	FF-10b	10"	1.5"	*4
	FF-12b	12"	1.5"	*5



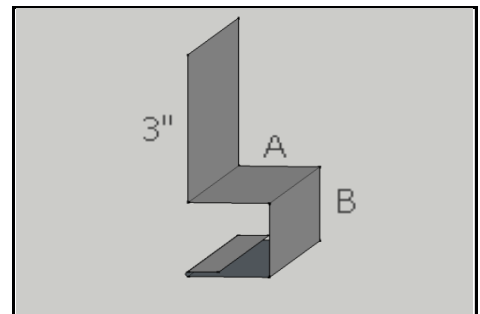
GABLE DIVIDER		A	B	C
II-6	GD-01	3" x 5/8" x 1"		
FC-36 & I-9	GD-02	3" x 7/8" x 1"		
SL-12 & Corr	GD-03	3" x 1" x 1"		
FR/FA Panel	GD-04	3" x 1 3/8" x 1"		
SS-16	GD-05	3" x 1 5/8" x 1"		

\*Flashing will have 5 deg slope.



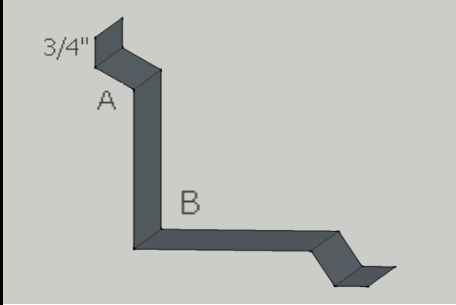
HEADER CAP		A	B
II-6	HD-01	3" x 5/8"	
FC-36 & I-9	HD-02	3" x 7/8"	
SL-12 & Corr	HD-03	3" x 1"	
FR/FA Panel	HD-04	3" x 1 3/8"	
SS-16	HD-05	3" x 1 5/8"	

\*Flashing will have 5 deg slope.

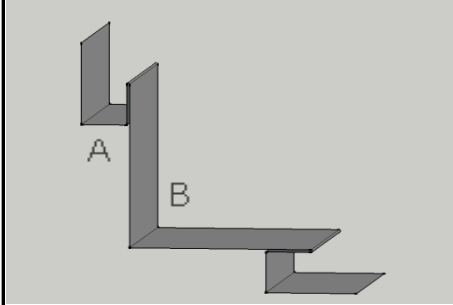


STARTER BOX		A	B
II-6	SB-01	5/8" x 1"	
FC-36 & I-9	SB-02	7/8" x 1"	
SL-12 & Corr	SB-03	1" x 1"	
FR/FA Panel	SB-04	1 3/8" x 1"	
SS-16	SB-05	1 5/8" x 1"	

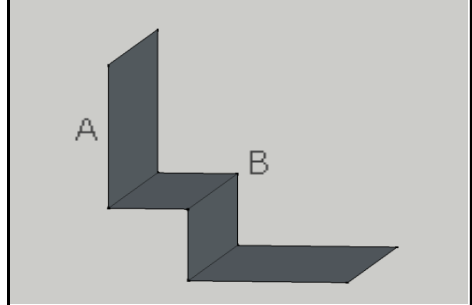
\*Flashing will have 5 deg slope.



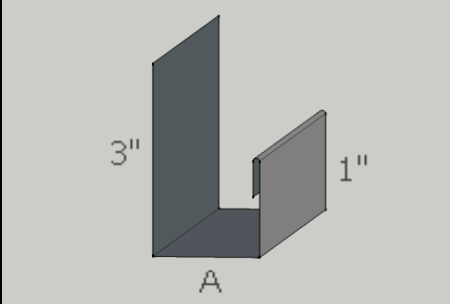
INSIDE CORNER		A	B
II-6	ISC-01	5/8" x 3.25"	
FC-36 & I-9	ISC-02	7/8" x 3.25"	
SL-12 & Corr	ISC-03	1" x 3.25"	
FR/FA Panel	ISC-04	1 3/8" x 3.25"	
SS-16	ISC-05	1 5/8" x 3.25"	



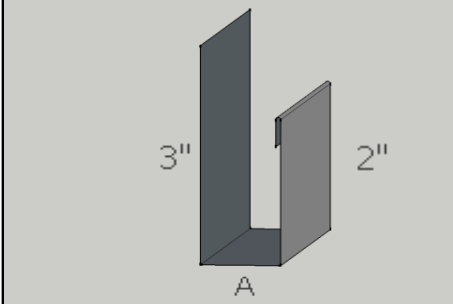
INSIDE CORNER		A	B
FC-36 & I-9	ISC-02a	1" x 4"	
SL-12 & Corr	ISC-03a	1" x 4"	
FR/FA Panel	ISC-04a	1 3/8" x 4"	
SS-16	ISC-05a	1 5/8" x 4"	



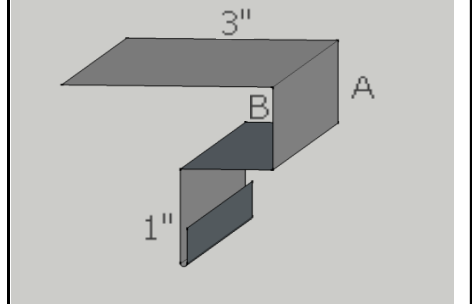
INSIDE CORNER		A	B
II-6	ISC-01b	3" x 5/8"	
FC-36 & I-9	ISC-02b	3" x 7/8"	
SL-12 & Corr	ISC-03b	3" x 1"	
FR/FA Panel	ISC-04b	3" x 1 3/8"	
SS-16	ISC-05b	3" x 1 5/8"	



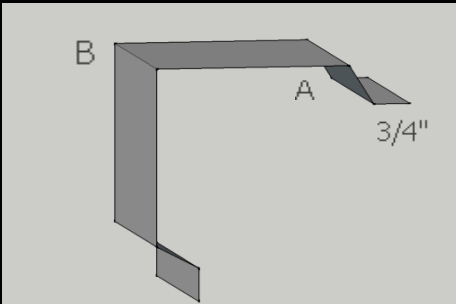
J CHANNEL		A
II-6	J-01	5/8"
FC-36 & I-9	J-02	7/8"
SL-12 & Corr	J-03	1"
FR/FA Panel	J-04	1 3/8"
SS-16	J-05	1 5/8"



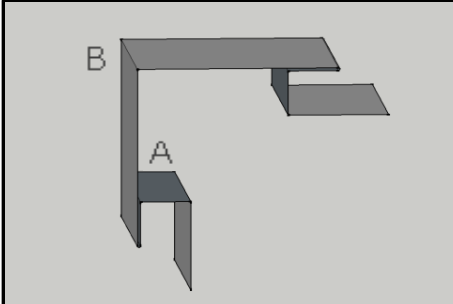
SUPER J		A	B
II-6	SJ-01	5/8"	
FC-36 & I-9	SJ-02	7/8"	
SL-12 & Corr	SJ-03	1"	
FR/FA Panel	SJ-04	1 3/8"	
SS-16	SJ-05	1 5/8"	



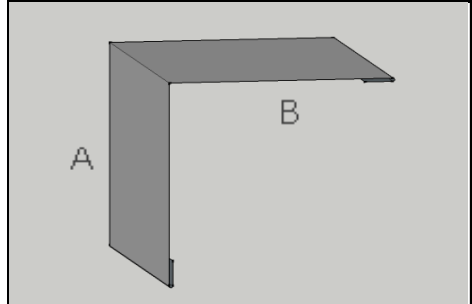
DOUBLE J		A	B
II-6	DUJ-01	5/8" x 5/8"	
FC-36 & I-9	DUJ-02	7/8" x 7/8"	
SL-12 & Corr	DUJ-03	1" x 1"	
FR/FA Panel	DUJ-04	1 3/8" x 1 3/8"	
SS-16	DUJ-05	1 5/8" x 1 5/8"	



OUTSIDE CORNER		A	B
II-6	OSC-01	5/8" x 4"	
FC-36 & I-9	OSC-02	7/8" x 4"	
SL-12 & Corr	OSC-03	1" x 4"	
FR/FA Panel	OSC-04	1 3/8" x 4"	
SS-16	OSC-05	1 5/8" x 4"	



OUTSIDE CORNER		A	B
FC-36 & I-9	OSC-02a	1" x 4"	
SL-12 & Corr	OSC-03a	1" x 4"	
FR/FA Panel	OSC-04a	1 3/8" x 4"	
SS-16	OSC-05a	1 5/8" x 4"	



OUTSIDE CORNER		A	B
	OSC-06	2 1/2" x 2 1/2"	
	OSC-07	3 1/2" x 3 1/2"	
	OSC-08	4 1/4" x 4 1/4"	
	OSC-09	5 1/2" x 5 1/2"	