

**BEISIT**®

倍仕得电气科技(杭州)股份有限公司  
BEISIT ELECTRIC TECH (HANGZHOU) CO.,LTD.



*Seeking Distributors worldwide*

电缆接头

**Cable Glands and Accessories**

软管连接系统

**Conduit Systems**

电缆引入系统

**Cable Entry System**

防水透气系列

**Waterproof & Vent Series**

接线盒系统及相关配件

**Enclosure Systems and Accessories**

HANGZHOU • CHINA

倍仕得园区鸟瞰图  
Beisit factory Aeroview



# 企业认证

## Company Certifications





# 产品认证

## Product Certifications



# 产品测试 Product Tests



RoHS



IP68



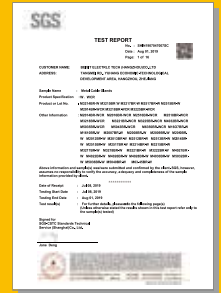
IP69K



DIN-5510-2



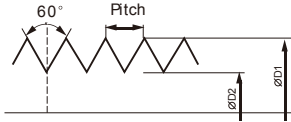
EN 45545-2



EN 45545-3

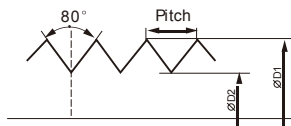


## M型公制螺纹标准 (适用于全球大部分地区) Metric ISO Thread Specifications



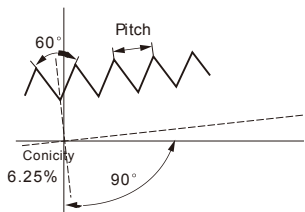
Size 螺纹规格	Pitch mm 牙距	Outside( $\phi D1$ ) mm 螺纹外径	Inside( $\phi D2$ ) mm 螺纹内径	Thru-hole mm 开口尺寸
M 12 x 1,5	1,5	12	10,13	12,2
M 16 x 1,5	1,5	16	14,13	16,2
M 20 x 1,5	1,5	20	18,13	20,2
M 25 x 1,5	1,5	25	23,13	25,2
M 32 x 1,5	1,5	32	30,13	32,3
M 40 x 1,5	1,5	40	38,13	40,3
M 50 x 1,5	1,5	50	48,13	50,4
M 63 x 1,5	1,5	63	61,13	63,4
M 75 x 2	2	75	71,8	75,5

## PG螺纹标准 (主要适用于欧洲区域) PG Thread Specifications



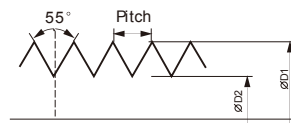
Size 螺纹规格	Pitch mm 牙距	Outside( $\phi D1$ ) mm 螺纹外径	Inside( $\phi D2$ ) mm 螺纹内径	Thru-hole mm 开口尺寸
PG 7	1,270	12,5	11,28	12,7
PG 9	1,410	15,2	13,86	15,4
PG 11	1,410	18,6	17,26	18,8
PG 13,5	1,410	20,4	19,06	20,6
PG 16	1,410	22,5	21,16	22,7
PG 21	1,588	28,3	26,78	28,5
PG 29	1,588	37,0	35,48	37,3
PG 36	1,588	47,0	45,48	47,3
PG 42	1,588	54,0	52,48	54,4
PG 48	1,588	59,3	57,78	59,7

## NPT标准螺纹 (主要适用于北美地区) NPT Thread Specifications



Size 螺纹规格	Pitch mm 牙距	Outside( $\phi D1$ ) mm 螺纹外径	Pitch Number n 牙间距数量	Thru-hole mm 开口尺寸
1/4" NPT	1,411	13,716	18	13,9
3/8" NPT	1,411	17,145	18	17,3
1/2" NPT	1,814	21,336	14	21,5
3/4" NPT	1,814	26,67	14	26,9
1" NPT	2,208	33,4	11 1/2	33,7
1 1/4" NPT	2,208	42,164	11 1/2	42,5
1 1/2" NPT	2,208	48,26	11 1/2	48,6
2" NPT	2,208	60,325	11 1/2	60,7
2 1/2" NPT	3,175	73,025	8	
3" NPT	3,175	88,9	8	
3 1/2" NPT	3,175	101,6	8	

## G型螺纹标准 (主要适用于日本, 南美地区) British G(PF) Thread Specifications



Size 螺纹规格	Pitch mm 牙距	Outside( $\phi D1$ ) mm 螺纹外径	Inside( $\phi D2$ ) mm 螺纹内径	Thru-hole mm 开口尺寸
G(PF) 1/4"	1,337	13,157	11,145	13,4
G(PF) 3/8"	1,337	16,662	14,950	16,9
G(PF) 1/2"	1,814	20,955	18,631	21,2
G(PF) 3/4"	1,814	26,441	24,117	26,6
G(PF) 1"	2,309	33,249	30,291	33,5
G(PF) 1 1/4"	2,309	41,910	38,952	42,3
G(PF) 1 1/2"	2,309	47,803	44,845	48,2
G(PF) 2"	2,309	59,614	56,656	60,0
G(PF) 2 1/2"	2,309	75,184	72,226	
G(PF) 3"	2,309	87,884	84,926	
G(PF) 3 1/2"	2,309	100,330	97,372	
G(PF) 4"	2,309	113,030	110,072	

### 电缆固定头功能测试标准 (金属)

型号	迫帽安装	迫帽安装	六角安装	六角安装	型号	迫帽安装	迫帽安装	六角安装	六角安装	型号	线径范围	迫帽安装	迫帽安装	六角安装	六角安装
	最小扭力	最大扭力	最小扭力	最大扭力		最小扭力	最大扭力	最小扭力	最大扭力			最小扭力	最大扭力	最小扭力	最大扭力
N.m					N.m					N.m					
PG7	1.5	2.5	2.5	3.5	M12	1.5	2.5	2.5	3.5	NPT1/4"	2-5 3-6.5	1.5	2.5	2.5	3.5
PG9	2	3	3.5	4.5	M16S	2	3	4	5	NPT3/8"	4-8 2-6	2	3	3.5	4.5
PG11	3	4	4.5	5.5	M16B	3	4	4	5	NPT	/	/	/	/	/
PG13.5	4	5	6	8	M20S	4	5	7	9	NPT1/2"	6-12 5-9	4	5	7	9
PG16	5	6	7	9	M20B	5	6	7	9	NPT1/2-E"	10-14 7-12	5	6	7	9
PG21	6	8	8	10	M25	6	8	8	10	NPT3/4"	13-18 9-16	6	8	8	10
PG29	12	14	13	15	M32	12	14	10	14	NPT1" NPT1 1/4"	18-25 13-20	12	14	14	17
PG36	17	19	15	18	M40	17	19	15	18	NPT1 1/2"	22-32 20-26	17	19	17	20
PG42	20	24	17	20	M50	20	24	17	20	NPT	/	/	/	/	/
PG48	24	27	20	23	M63	24	27	20	23	NPT2"	37-44 29-35	24	27	20	23

### 电缆固定头功能测试标准 (塑料)

型号	迫帽安装	迫帽安装	六角安装	六角安装	型号	迫帽安装	迫帽安装	六角安装	六角安装	型号	线径范围	迫帽安装	迫帽安装	六角安装	六角安装
	最小扭力	最大扭力	最小扭力	最大扭力		最小扭力	最大扭力	最小扭力	最大扭力			最小扭力	最大扭力	最小扭力	最大扭力
N.m					N.m					N.m					
PG7	0.8	1.5	1	2	M12	0.8	1.5	1	2	NPT1/4"	2-5 3-6.5	0.8	1.5	1	2
PG9	1	2	1.5	2	M16S	1	2	2	3	NPT3/8"	4-8 2-6	1	2	2	3
PG11	2	3	1.5	2.5	M16B	2	3	2	3	NPT	/	/	/	/	/
PG13.5	3.5	4.5	3	5	M20S	3.5	4.5	3.5	4.5	NPT1/2"	6-12 5-9	3.5	4.5	3.5	4.5
PG16	4	5	4	6	M20B	4	5	3.5	4.5	NPT1/2-E"	10-14 7-12	4	5	3.5	4.5
PG21	5	6	5	7	M25	5	6	3.5	5	NPT3/4"	13-18 9-16	5	6	3.5	5
PG29	7	8	6	8	M32	7	8	5	7	NPT1" NPT1 1/4"	18-25 13-20	7	8	4	7
PG36	10	13	8	10	M40	10	13	7	9	NPT1 1/2"	22-32 20-26	8	10	8	10
PG42	12	14	8	10	M50	12	14	9	11	NPT	/	/	/	/	/
PG48	13	15	8	10	M63	13	15	12	14	NPT2"	37-44 29-35	11	13	12	14

注意：因箱体、电缆（材质、型号、结构）及使用环境因素存在差异，安装扭力值可根据用户实际使用情况进行调整，具体与用户达成一致的规格书为准。使用环境（如：静态与车载力矩会有所不同）

### Installation Torque Standard for Metal Cable Glands

Model	Min Torque for Sealing nut	Max Torque for Sealing nut	Min Torque for Locknut	Max Torque for Locknut	Model	Min Torque for Sealing nut	Max Torque for Sealing nut	Min Torque for Locknut	Max Torque for Locknut	Model	Clamping Range	Min Torque for Sealing nut	Max Torque for Sealing nut	Min Torque for Locknut	Max Torque for Locknut
	N.m					N.m						N.m			
PG7	1.5	2.5	2.5	3.5	M12	1.5	2.5	2.5	3.5	NPT1/4"	2-5 3-6.5	1.5	2.5	2.5	3.5
PG9	2	3	3.5	4.5	M16S	2	3	4	5	NPT3/8"	4-8 2-6	2	3	3.5	4.5
PG11	3	4	4.5	5.5	M16B	3	4	4	5	NPT	/	/	/	/	/
PG13.5	4	5	6	8	M20S	4	5	7	9	NPT1/2"	6-12 5-9	4	5	7	9
PG16	5	6	7	9	M20B	5	6	7	9	NPT1/2-E"	10-14 7-12	5	6	7	9
PG21	6	8	8	10	M25	6	8	8	10	NPT3/4"	13-18 9-16	6	8	8	10
PG29	12	14	13	15	M32	12	14	10	14	NPT1" NPT1 1/4"	18-25 13-20	12	14	14	17
PG36	17	19	15	18	M40	17	19	15	18	NPT1 1/2"	22-32 20-26	17	19	17	20
PG42	20	24	17	20	M50	20	24	17	20	NPT	/	/	/	/	/
PG48	24	27	20	23	M63	24	27	20	23	NPT2"	37-44 29-35	24	27	20	23

### Installation Torque Standard for Nylon Cable Glands

Model	Min Torque for Sealing nut	Max Torque for Sealing nut	Min Torque for Locknut	Max Torque for Locknut	Model	Min Torque for Sealing nut	Max Torque for Sealing nut	Min Torque for Locknut	Max Torque for Locknut	Model	Clamping Range	Min Torque for Sealing nut	Max Torque for Sealing nut	Min Torque for Locknut	Max Torque for Locknut
	N.m					N.m						N.m			
PG7	0.8	1.5	1	2	M12	0.8	1.5	1	2	NPT1/4"	2-5 3-6.5	0.8	1.5	1	2
PG9	1	2	1.5	2	M16S	1	2	2	3	NPT3/8"	4-8 2-6	1	2	2	3
PG11	2	3	1.5	2.5	M16B	2	3	2	3	NPT	/	/	/	/	/
PG13.5	3.5	4.5	3	5	M20S	3.5	4.5	3.5	4.5	NPT1/2"	6-12 5-9	3.5	4.5	3.5	4.5
PG16	4	5	4	6	M20B	4	5	3.5	4.5	NPT1/2-E"	10-14 7-12	4	5	3.5	4.5
PG21	5	6	5	7	M25	5	6	3.5	5	NPT3/4"	13-18 9-16	5	6	3.5	5
PG29	7	8	6	8	M32	7	8	5	7	NPT1" NPT1 1/4"	18-25 13-20	7	8	4	7
PG36	10	13	8	10	M40	10	13	7	9	NPT1 1/2"	22-32 20-26	8	10	8	10
PG42	12	14	8	10	M50	12	14	9	11	NPT	/	/	/	/	/
PG48	13	15	8	10	M63	13	15	12	14	NPT2"	37-44 29-35	11	13	12	14

NOTICE: This standard of torque force might be be adjusted by the actual application, pls refer to the technical specification.



名称牌号		材料特性	应用
尼龙	PA6	根据产品的特性要求添加玻纤含量在5-60%的范围, 这类材料具有很好的强度、耐热性能、优良的抗冲击性能、良好的尺寸稳定性及低翘曲性等。	广泛应用于机械、仪器仪表、电子电气、铁路、家电、通讯、等电气工程。
	PA66	具有优良的耐磨性、自润滑性, 机械强度较高。	
	PA6/PA66+GF	根据产品的特性要求添加玻纤含量在5-60%的范围, 这类材料具有很好的强度、耐热性能、优良的抗冲击性能、良好的尺寸稳定性及低翘曲性等。	
黄铜	H59	黄铜的机械性能与其含锌量有关; H59黄铜耐腐蚀能力较好; 具有高强度、硬度以及良好的塑性, 对于一般的腐蚀有良好的稳定性。	广泛应用与轻工业、仪器、仪表中, 在电气工程领域中使用较多。(表面镀镍处理, 能提高产品的防腐性能)
铝	6061-T6	具有加工性能极佳、优良的焊接特点及电镀性、良好的抗腐蚀性、韧性强及加工后不变形、材料致密无缺陷及易于抛光、上色膜容易、氧化效果极佳等优良特点。	6061铝其用途包括: 航天固定装置、电器固定装置、光伏、通讯领域, 也广泛应用于自动化机械零件、精密加工等。

### 力学/物理性能对比

原材料	抗拉强度	屈服强度	延伸率	密度	应用领域
黄铜	≥420	≥480	≥10	8.9	广泛应用于轻工业、仪器、仪表中, 在电气工程领域中使用较多。(表面镀镍处理, 能提高产品的防腐性能)
铝	290	240	10.0	2.8	广泛应用于要求有一定强度(85-110度)和抗蚀性高的各种工业结构件, 如制造卡车、塔式建筑、船舶、电车、铁道车辆、家具机械零件、精密加工、模具等。

### 屈服强度

材料发生屈服现象时的屈服极限, 亦即抵抗微量塑性变形的应力。对于无明显屈服的材料, 规定应变值为0.2%所对应的应力值为其屈服极限, 称为条件屈服极限或屈服强度。大于此极限的外力作用, 将会使零件永久失效, 无法恢复。

### 表面处理——黄铜镀镍说明

1.电镀是利用电源能将镍阳离子转换成金属镍沉积到阳极上; 黄铜镀镍是利用化学还原的方法, 将镍阳离子还原成金属镍并沉积在基体(黄铜)表面上, 赋予制品特殊的表面性能。例如: 赋予制品多种色彩、较强的耐腐蚀性/耐磨性, 镀层结晶细致、平滑光亮、内应力小, 导电性能极佳。

2.化学电镀是采用金属盐和还原剂, 在材料表面上发生自催化反应获得镀层; 黄铜镀镍是利用还原剂在活化零件(黄铜)表面上自催化还原沉积得到镀层。化学镀镍制品的主要特点是: 镀层厚度均匀, 致密性好、镀层附着力强、深度能力强、抗腐蚀能力好。



## 电镀与化学镀的区别

原理	电镀需要外加的电流和阳极，而化学镀是依靠在金属表面所发生的自催化反应。
镀层均匀性	化学镀镍层是极为均匀的，只要镀液能浸泡得到，溶质交换充分，镀层就会非常均匀，几乎可以达到仿形的效果。
晶态	高磷的化学镀镍层为非晶态，镀层表面没有任何晶体间隙，而电镀层为典型的晶态镀层。
速度	电镀因为有外加的电流，所以镀速要比化学镀快得多，同等厚度的镀层电镀要比化学镀提前完成。
结合力	化学镀层的结合力要普遍高于电镀层。
环保	化学镀由于大部分使用食品级的添加剂，不使用诸如氰化物等有害物质，所以化学镀比电镀要环保一些。
色彩	化学镀目前市场上只有纯镍磷合金的一种颜色，而电镀可以实现很多色彩。
氢脆	电镀是利用电源能将镍阳离子转换成金属镍沉积到阳极上，用化学还原的方法是使镍阳离子还原成金属镍并沉积在基体金属表面上，试验表明，镀层中氢的夹入与化学还原反应无关，而与电镀条件有很大关系，通常镀层中的含氢量随电流密度的增加而上升。
设备需求	化学镀不需要一般电镀所需的直流电机或控制设备，热处理温度低，只要在400℃以下经不同保温时间后，可得到不同的耐蚀性和耐磨性，因此，它不存在热处理变形的问题，特别适用于加工一些形状复杂，表面要求耐磨和耐蚀的零部件等。
加工难度	化学沉积层的厚度可控，其工艺简单，操作方便，温度低，成本比其它表面处理防护低，适用于在中、小型工厂或小批量生产。

## 倍仕得为您提供两种镀镍形式

1 电镀

2 化学镀镍

备注：化学镀镍仿真能力强，能在复杂零件表面沉积，深度能力强，镀层厚度比电镀厚，镀层烧氢后无起皮、镍泡等缺陷，同时由于化学镀镍速度较慢，对未镀产品表面处理要求较高，成本相对电镀较高。

## 盐雾测试

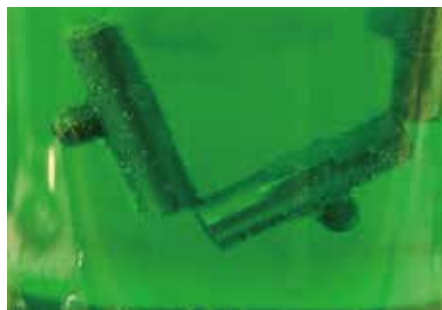
盐雾试验是一种利用盐雾实验设备所创造的人工模拟盐雾环境条件考核产品或金属材料耐腐蚀性能的环境实验。

盐雾实验的标准是对盐雾实验条件，如温度、湿度、氯化钠溶液浓度的PH值等做的明确具体规定，另外还对盐雾实验箱性能提出技术要求。盐雾实验结果的判定方法有：评级判定法、称重判定法、腐蚀物出现判定法、腐蚀数据统计法。需要进行盐雾试验的产品主要是金属产品，通过检测来考察产品的抗腐蚀性。

电镀



化学镀镍



Name		Properties of Materials	Application
PA	PA6	Properties, - glass fiber will be added in the range of 5-60%, depending on the requirements of the product. This material has very good strength, heat resistance, excellent shock resistance, good dimensional stability and low warping, etc.	Widely used in machinery, instruments and meters, electrical and electronic products, railroad, home appliances, communications etc.
	PA66	It has excellent wear resistance, self-lubrication, high mechanical strength.	
	PA6/PA66+GF	Properties - glass fiber will be added in the range of 5-60%, depending on the requirements of the product. This kind of material has very good strength, heat resistance, excellent shock resistance, good dimensional stability and low warping, etc.	
Brass	H59	The mechanical properties of brass are due to its zinc content; H59 brass has good corrosion resistant ability, high strength, hardness and good plasticity and good stability for general corrosion.	Widely used in light industry, instruments and meters. Frequently used in the field of electrical engineering. (Nickel plating of the surface treatment can improve the corrosion resistance performance of the product)
Aluminium	6061-T6	6061 aluminum has excellent processing performance, excellent welding and electroplating characteristics, good corrosion resistance, high toughness, no deformation after processing, it is a dense material without defects, easy polishing, easy coloring film and good oxidation effects.	The application of 6061 aluminum includes: fixing devices for aerospace and electrical appliances, photovoltaic and communications areas. It is also widely used in automated machinery parts, precision machining, and so on.

### Comparison of Mechanical/Physical Properties

Raw material	Tensile Strength	Yield Strength	Elongation rate	Density	Application Field
Brass	≥420	≥480	≥10	8.9	It is widely used in light industry, instruments and meters, especially in the field of electrical engineering. (Surface nickel plating can improve the corrosion resistance of products.)
Aluminum	290	240	10.0	2.8	It is widely used in various industrial structures requiring a certain strength (85-110 degrees) and high corrosion resistance, such as manufacturing trucks, tower buildings, ships, trams, railway vehicles, furniture machinery parts, precision machining and molds.

### Yield Strength

Yield limit of the material when the yield phenomenon occurs, also means the stress that resists the slight plastic deformation. For materials with no apparent yield, the stress value corresponding to the 0.2% strain value is the yield limit, which is called the conditional yield limit or yield strength. An external force greater than this limit will permanently fail the part and cannot be restored.

### Surface treatment - notes for nickel plated brass

1. The electroplating is a process that uses electric current to transform Nickel cation into metal nickel deposition on the anode; Nickel-plated brass is a process that uses chemical reduction to reduce Nickel cations into metal nickel deposition on the surface of the substrate (brass), giving the special surface properties to the products. For example: giving products a variety of colors, strong corrosion resistance/wear resistance, exquisite crystallization on coating, smooth and bright, small internal stress and good electroconductivity.

2. The electroless plating is a process that uses metal-salt and reducing agent to produce autocatalytic reaction on the material surface in order to obtain coating; Nickel-plated brass is a process that uses reducing agent to produce autocatalytic reduction deposition on activation parts (brass) surface in order to obtain coating. The main Properties of electroless nickel plated products are: well-distributed coating thickness, good compactness, coating adhesion, and plating depth capability, good corrosion resistance.

PA



Brass



Aluminium



## The Difference between Electroplating and Electroless Plating

<b>Principle</b>	Electroplating requires additional current and anode, while electroless plating relies on autocatalytic reactions that occur at the metal surface.
<b>Plating Uniformity</b>	The electroless nickel plating layer is well-proportioned, as long as the plating solution can be soaked and the solute exchange is sufficient, the plating layer will be very uniform, and the effect of copying can be almost achieved.
<b>Crystalline State</b>	The electroless nickel plating layer of high phosphorus is amorphous so the plating surface has no crystal gap. But the electroplating layer is a typical crystalline plating layer.
<b>Speed</b>	Because of the added current of electroplating, its plating speed is much faster than the electroless plating, and the electroplating is completed in advance with the same thickness.
<b>Binding Force</b>	The binding force of electroless plating layer is generally higher than the electroplating.
<b>Environmental Protection</b>	Since electroless plating use most of food-grade additives and do not use harmful substances such as cyanide, it is more environmental friendly than electroplating.
<b>Color</b>	Electroless plating currently has only the color of pure nickel-phosphorus alloy on the market, while electroplating can achieve many colors.
<b>Hydrogen Embrittlement</b>	Electroplating uses the power source to convert nickel cations into nickel metal deposited on the anode, the chemical reduction method is to make the nickel cation reduced to nickel metal and deposited on the surface of the substrate metal. The test shows that the hydrogen in the coating has nothing to do with the chemical reduction reaction, but has a great relationship with the electroplating conditions. Generally, the hydrogen content in the coating rises with the increase of the current density.
<b>Equipment Requirements</b>	Chemical nickel does not require the general electroplating required DC motor or control equipment, heat treatment temperature is low, as long as the following 400 °C different insulation time, you can get different corrosion resistance and wear resistance, therefore, it There is no problem of heat treatment deformation, and it is particularly suitable for processing some parts with complex shapes, wear-resistance and corrosion resistance on the surface.
<b>Processing Difficulty</b>	The thickness of the chemical deposition layer is controllable. The process is simple, the operation is convenient, the temperature is low and the cost is lower than other surface treatment protection. It is suitable for production in small and medium-sized factories and small batches.

Beisit can provide you with two kinds of nickel plating methods

1. Electroplating

2. Electroless nickel plating

Note: Electroless nickel plating is much stronger by comparison. It bonds with the surface of complex parts, with strong depth capability, thicker coating than electroplating, no defects on the coating such as peeling, or nickel bubbling after the hydrogen burning. However, due to the slow speed, electroless nickel plating requires a better surface treatment of unplated products. So its cost is relatively higher than electroplating.

## Salt Spray Test

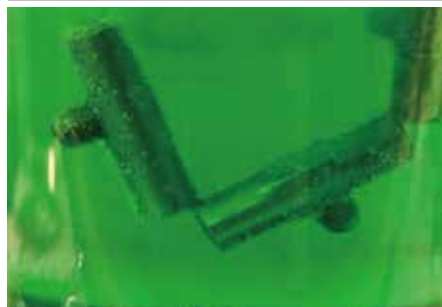
The salt spray test is an environmental experiment to evaluate the corrosion resistance of a product or metal material by artificially simulating salt spray environmental conditions created by salt spray test equipment.

The standard for salt spray experiments is to specify the specific conditions for salt spray experimental conditions, such as temperature, humidity and pH of sodium chloride solution. In addition, technical requirements for salt spray test chamber performance are also put forward. Salt spray test results are judged by methods: rating judgment method, weighing determination method, corrosive appearance determination method and corrosion data statistics method. The products requiring salt spray test are mainly metal products and the corrosion resistance of the products is examined through inspection.

Electroplating



Electroless plating





### IP防护等级（第一位数字表示对应防尘等级）

数字	防护范围	说明
0	无防护	对外界的人或物无特殊的防护
1	防止直径大于50mm的固体外物侵入	防止人体（如手掌）因意外而接触到电器内部的零件，防止较大尺寸（直径大于50mm）的外物侵入
2	防止直径大于12.5mm的固体外物侵入	防止人的手指接触到电器内部的零件，防止中等尺寸（直径大于12.5mm）的外物侵入
3	防止直径大于2.5mm的固体外物侵入	防止直径或厚度大于2.5mm的工具、电线及类似的小型外物侵入而接触到电器内部的零件
4	防止直径大于1.0mm的固体外物侵入	防止直径或厚度大于1.0mm的工具、电线及类似的小型外物侵入而接触到电器内部的零件
5	防止外物及灰尘	完全防止外物侵入，虽不能完全防止灰尘侵入，但灰尘的侵入量不会影响电器的正常运作
6	防止外物及灰尘	防止外物及灰尘

### IP防护等级（第二位数表示对应防水等级）

数字	防护范围	说明
0	无防护	对水或湿气无特殊的防护
1	防止水滴浸入	垂直落下的水滴（如凝结水）不会对电器造成损坏
2	倾斜15度时，仍可防止水滴浸入	当电器由垂直倾斜至15度时，滴水不会对电器造成损坏
3	防止喷洒的水浸入	防雨或防止与垂直的夹角小于60度的方向所喷洒的水侵入电器而造成损坏
4	防止飞溅的水浸入	防止各个方向飞溅而来的水侵入电器而造成损坏
5	防止各个方向飞溅而来的水侵入电器而造成损坏	防止来自各个方向由喷嘴射出的水侵入电器而造成损坏
6	防止大浪浸入	装设于甲板上的电器，可防止因大浪的侵袭而造成的损坏
7	防止浸水时水的浸入	电器浸在水中一定时间或水压在一定的标准以下，可确保不因浸水而造成损坏
8	防止沉没时水的浸入	电器无限期沉没在指定的水压下，可确保不因浸水而造成损坏
9K	/	能够承受EN60529和DIN 4050-9中定义的热蒸汽冲刷测试，能够提供水压在100bar，温度80°C的防护。压力直接应用咋感应器上，以30度的角度递进（0.30.60.90）在每个角度持续三十秒，共120秒，能够防止水进入

# IP防护指南 IP Protection Classification

## International Protection, EN 60529

1. Code		2. Code	
Protection against human access to hazardous parts	Protection of equipment against penetration of solid foreign objects	Protection of water	
Non-protected	Non-protected	IP 00	No special protection against water or moisture
Protected against access to hazardous parts with the back of the hand	Protected against solid foreign objects larger in diameter than 50mm	IP 01	Dropped drops of water (such as condensed water) will not cause damage to the appliance
Protected against access to hazardous parts with a finger	Protected against solid foreign objects larger in diameter than 12,5mm	IP 11	When the appliance is tilted vertically to 15 degrees, the water will not damage the appliance
Protected against access to hazardous parts with a tool larger in diameter than 25mm	Protected against solid foreign objects larger in diameter than 2,5mm	IP 12	Prevent rain or water from intruding into appliances with a vertical angle less than 60 degrees to cause damage
Protected against access to hazardous parts with a wire larger in diameter than 1,0mm	Protected against solid foreign objects larger in diameter than 1mm	IP 21	Prevent splashing water in all directions from entering the appliance and causing damage
Protected against access to hazardous parts with a wire larger in diameter than 1,0mm	Prevents penetration of dust sufficient to cause damage inside the equipment	IP 22	Prevent water from various nozzles from entering the appliance and causing damage
Protected against access to hazardous parts with a wire larger in diameter than 1,0mm	Dust proof	IP 23	Electric appliances installed on the deck prevent damage caused by large waves
		IP 30	The electric appliance is immersed in water for a certain period of time or the water pressure is below a certain standard to ensure that it is not damaged due to flooding
		IP 31	The appliance sinks indefinitely under the specified water pressure, ensuring no damage due to flooding
		IP 32	It can withstand the hot steam flush test defined in EN60529 and DIN 4050-9 and can provide protection against 100 bar pressure and a temperature of 80°C. The pressure is applied directly to the helium sensor, progressing at a 30 degree angle (0.30.60.90) for 30 seconds at each angle for a total of 120 seconds, preventing water from entering.
		IP 33	
		IP 34	
		IP 40	
		IP 41	
		IP 42	
		IP 43	
		IP 44	
		IP 50	
		IP 51	
		IP 52	
		IP 53	
		IP 54	
		IP 55	
		IP 60	
		IP 61	
		IP 62	
		IP 63	
		IP 64	
		IP 65	
		IP 66	
		IP 67	
		IP 68	
		IP 69/69K	

### Product Material Abbreviations

CR Chloroprene rubber	PP Polypropylene
FPM Fluorelastomer	PVC Polyvinylchloride
Ms Nickel plated brass	PVDF Polyvinylidenfluoride
NBR Buna-N	SB Styrene Butadiene
PA Polyamide	VMQ Silicone
PE Polyethylene	

名称牌号	材料特性	应用
NBR 丁腈橡胶	丁腈橡胶是由丁二烯和丙烯腈经乳液聚合得的，丁腈橡胶主要采用低温乳液聚合合法生产，耐油性极好，耐磨性较高，耐热性较好，粘接力强。其缺点是耐低温性差、耐臭氧性差，电性能低劣，弹性稍低。	丁腈橡胶主要用于制作耐油制品，如耐油管、胶带等，常用于制作各类耐油模压制品，如O形圈、油封、也用于制作胶板和耐磨零件。
EPDM 三元乙丙橡胶	三元乙丙橡胶最主要的特性就是其优越的耐氧化、抗臭氧和抗侵蚀的能力。耐老化性能非常好、耐气候性好、电绝缘性能优良、耐化学腐蚀性好、冲击弹性较好。	主要应用于要求耐老化、耐水、耐腐蚀、电气绝缘的领域如用于轮胎的浅色胎侧、汽车内胎、电缆、电线、门窗密封条、家用电器配件等。
硅橡胶	<ol style="list-style-type: none"> <li>1.高温性能：在 200℃以上的高温环境下，硅橡胶仍能保持一定的柔韧性、回弹性和表面硬度，且力学性能无明显变化。</li> <li>2.低温性能：硅橡胶的玻璃化温度为-70~-50℃，特殊配方可达到-100℃。</li> <li>3.电气性能：硅橡胶具有优异的绝缘性能，耐电晕性和耐电弧性好。</li> <li>4.物理机械性能：硅橡胶常温下的物理机械性能比通用橡胶差，但在 150℃的高温 and -50℃的低温下，其物理机械性能优于通用橡胶。</li> <li>5.耐油及化学试剂性：普通硅橡胶具有中等的耐油、耐溶剂性能。</li> <li>6.该材料可通过EN45545-3测试。</li> </ol>	<ol style="list-style-type: none"> <li>1.硅橡胶密封件在极限温度及压力下，有良好的适用性。</li> <li>2.应用领域：新能源汽车、轨道交通等项目领域。</li> </ol>
氟橡胶	<ol style="list-style-type: none"> <li>1.化学稳定性：氟橡胶具有高度的化学稳定性。26型氟橡胶耐石油基油类、双酯类油、硅醚类油、硅酸类油，耐无机酸，耐多数的有机、无机溶剂、药品等。</li> <li>2.耐高温性优异：氟橡胶的耐高温性能和硅橡胶一样，26型氟橡胶在 250℃下可长期使用。</li> <li>3.耐老化性能好：26型氟橡胶具有极好的耐天候老化性能，耐臭氧性能。在自然存放十年之后性能仍然令人满意。</li> <li>4.真空性能极佳：26型氟橡胶具有极好的真空性能。</li> <li>5.机械性能优良：26型氟橡胶在高温下的压缩永久变形小，在 150℃下的同等时间的压缩永久变形来比较，丁腈橡胶和氯丁橡胶均比26型氟橡胶要大。</li> <li>6.透气性小：26型氟橡胶在30℃下对于氧、氮、氦、二氧化碳气体的透气性和丁腈橡胶相当，比氯丁橡胶要好。</li> </ol>	<p>垫圈使用：能耐油并酸气，胺基类化合物等多种高浓度强腐蚀性介质应用于化工场所，航天航空的控制和燃料系统的航空液压油、喷气燃料、高温润滑油的密封。</p> <p>应用领域：航天航空、化工、油田、半导体制造。</p>
倍仕得特殊定制弹性体	<ol style="list-style-type: none"> <li>1.具有优异的绝缘性能，耐电晕性和耐电弧性良好。</li> <li>2.具有良好的耐油、耐溶剂性能。</li> </ol>	本产品多用于防爆等项目领域。



Name	Properties of Materials	Application
<b>NBR</b>	This sealing ring is black with a yellow spot and made from nitrile rubber. It has excellent resistance to petroleum-based fluids. Good physical properties. However, the NBR lip seal should not be used where there is a risk of temperatures above 80°C. NBR is not resistant to solvents, also the flexibility is not good.	NBR is mainly used where there are petrol or oil residues on the waste water (e.g. in connection with oil and petrol separators at service stations, garages etc.), such as O ring, Oil sealing and Rubber panel or other wear-resistance parts.
<b>EPDM</b>	This sealing ring is made of ethylene propene rubber. The general properties of EPDM are excellent ozone, chemical, and aging resistance. It is also known for good resistance to animal and vegetable oils, ozone, strong and oxidizing chemicals.	Mainly used for aging resistance, water resistance, corrosion resistance, electrical insulation fields, such as light colored sidewall for tire, automobile inner tubes, cables, wires, sealing for doors and Windows, appliances and other accessories.
<b>Silicone</b>	<ol style="list-style-type: none"> <li>High temperature: 200 °C high temperature environment, silicone rubber can still maintain a certain degree of flexibility, elasticity and hardness, and no significant changes in mechanical properties.</li> <li>Low temperature: silicone rubber glass transition temperature -70~-50 °C, special formulations could reach -100 degrees centigrade.</li> <li>Electrical performance: silicone rubber has excellent insulating properties, Corona resistance and good arc resistance.</li> <li>Physical and mechanical properties: mechanical properties of silicone rubber is not as good as common rubber at normal temperature. But it's much better than common rubber at 150 °C high temperature and the low temperature of -50.</li> <li>Oil and chemical resistance: ordinary silicone is with moderate oil resistance and solvent resistance.</li> <li>The material can pass the test according to EN45545-3.</li> </ol>	<ol style="list-style-type: none"> <li>Excellent high and low temperature properties. Fair physical properties.</li> <li>Application fields: NEV (new energy vehicles), railway transit and other similar project fields</li> </ol>
<b>FKM/ FPM/ VITON</b>	<ol style="list-style-type: none"> <li>Chemical stability: FPM has good chemical stability. 26 fluoro rubber resistant to petroleum base oils and diester oils, ether oil, silicon oil silicate, inorganic acid-resistant, resistant to most organic and inorganic solvents, chemicals, etc.</li> <li>Excellent temperature resistance: Just like silicone rubber, 26 FPM can be used for a long time in 250 °C high temperature.</li> <li>26 FPM has excellent resistance to aging, and ozone-resistant properties. The performance remains satisfactory after storage for ten years.</li> <li>26 FPM has excellent vacuum performance.</li> <li>It has good mechanical properties: 26 FPM will deform permanently at under 150 °C. Compared with 26 FPM, the deformation of Nitrile rubber and neoprene are larger.</li> <li>Moderate Permeability: Permeability of 26 FPM for oxygen, nitrogen, helium, carbon dioxide gas is nearly same as that of nitrile-butadiene rubber at 30 degree, but better than that neoprene.</li> </ol>	FPM washer is mainly used in oil acid, amino compounds and other places with a high concentration of corrosive media. It is used in the chemical industry, aviation aerospace control and fuel systems hydraulic oil, jet fuel and high temperature lubricating oil sealing. Also used by aerospace, chemical, oil, semiconductor manufacturing.
<b>The special customize rubber parts of Beisit.</b>	<ol style="list-style-type: none"> <li>Excellent insulation properties, good corona resistance, and arc resistance.</li> <li>Good oil and solvent resistance.</li> </ol>	Application for Explosion Proof, etc.





## 颜色定制

材料	采用UL认可的尼龙材料	防水圈	EPDM (可选丁腈橡胶, 硅橡胶, TPV等)
O型圈	EPDM (可选硅橡胶, TPV, 氟橡胶等)	工作温度	-40°C至100°C
颜色种类	灰色、黑色, 其他颜色可定做	材料种类	V0或F1可定做

### 可选颜色

■ 灰色RAL7035 
 ■ 银灰RAL7001 
 ■ 黑色RAL9005 
 □ 白色RAL9003 
 ■ 蓝色RAL5012 
 ■ 红色RAL3020 
 ■ 黄色RAL1026 
 ■ 绿色RAL6032

## Color Customization

Material	PA (NYLON), UL 94 V-2	Hermetic seal	EPDM (optional material NBR, Silicone Rubber , TPV)
O-Ring	PEPDM (optional material, Silicone Rubber, TPV,FPM)	Working temperature	-40 C to100 C
Color	Grey(RAL7035), Black(RAL9005), other colors customized.	Material options	V0, or F1 can be offered upon request.

### Color Option

■ Grey RAL7035 
 ■ Silver grey RAL7001 
 ■ Black RAL9005 
 □ White RAL9003  
■ Blue RAL5012 
 ■ Red RAL3020 
 ■ Yellow RAL1026 
 ■ Green RAL6032

可为客户特殊定制其他颜色 Other colors could be customized





## 产品目录

Standard Industrial	01	M型电缆固定头	Waterproof & Vent Series	66	防水透气接头	
	02	M加长型电缆固定头		67	M型防水防尘透气接头	
	03	PG型电缆固定头		68	M型防折弯防水防尘透气接头	
	04	PG加长型电缆固定头		69	M型金属防水防尘透气接头	
	05	NPT型电缆固定头		70	安装指南	
	06	GPF型电缆固定头		72	防水透气阀	
	07	MG型电缆固定头		73	金属/尼龙防水透气	
	08	M/M加长型防折弯电缆固定头		74	安装指南	
	09	PG/PG加长型防折弯电缆固定头		76	轨道交通专用软管快速接头	
	10	NPT型/GPF型防折弯电缆固定头		78	M型尼龙软管快速接头	
	11	M型金属电缆固定头		79	M型90°尼龙软管快速接头	
	12	M加长型金属电缆固定头		80	M型/PG型/NPT型金属螺纹尼龙软管快速接头	
	13	PG型金属电缆固定头		81	M型90°金属螺纹尼龙软管快速接头	
	14	PG加长型金属电缆固定头		82	M型防水软管接头	
	15	NPT型金属电缆固定头		83	M型金属软管接头	
	16	GPF型金属电缆固定头		84	M型包塑金属软管接头	
	17	M加强型金属电缆固定头		86	M型双锁紧金属软管电缆固定头	
	18	M加强型加长金属电缆固定头		87	包塑金属软管	
	19	PG加强型金属电缆固定头		88	BST-PA6尼龙软管中壁	
	20	PG加强型加长金属电缆固定头		89	BST-PA6阻燃尼龙软管中壁	
	21	NPT加强型金属电缆固定头		90	BST-PA6尼龙软管厚壁	
	22	GPF加强型金属电缆固定头		91	BST-PA6阻燃尼龙软管厚壁	
	23	M加强型不锈钢电缆固定头		92	BST-PA12尼龙软管中壁	
	24	M加强型加长不锈钢电缆固定头		93	BST-PA12阻燃尼龙软管中壁特软型	
	25	PG加强型不锈钢电缆固定头		94	BST-PA12尼龙软管厚壁特软型	
	26	PG加强型加长不锈钢电缆固定头		95	BST-PA12阻燃尼龙软管厚壁特软型	
	27	NPT加强型不锈钢电缆固定头		96	BST-PP波纹管	
	28	GPF加强型不锈钢电缆固定头		97	BST-PE波纹管特软型	
Multi-Entry	29	M型多孔电缆固定头	98	塞棒		
	31	PG型多孔电缆固定头	99	M型/PG型/NPT型O型圈		
	32	NPT型多孔电缆固定头	100	M型/PG型/NPT型垫片		
	33	GPF型多孔电缆固定头	101	M型/PG型/NPT型/GPF型尼龙六角螺母		
	34	M型多孔金属电缆固定头	102	尼龙无圆边六角螺母		
	35	PG型多孔金属电缆固定头	103	M型/PG型/GPF型金属六角螺母		
	36	NPT型多孔金属电缆固定头	104	M型/PG型带齿金属六角螺母		
	37	GPF型多孔金属电缆固定头	105	M型双锁紧六角螺母		
	38	扁孔电缆固定头	106	工具		
	39	扁孔金属电缆固定头	107	M型/PG型/NPT型/GPF型圆形堵塞件		
EMC	40	M型屏蔽金属电缆固定头 S型	108	M型/PG型尼龙六角形闷盖		
	41	PG型屏蔽金属电缆固定头 S型	109	M型定制尼龙闷盖		
	42	NPT型屏蔽金属电缆固定头 S型	110	扣式塞头		
	43	GPF型屏蔽金属电缆固定头 S型	111	M型/PG型金属圆形堵塞件		
	44	M型屏蔽金属电缆固定头 S型/新能源汽车专用	112	M型/PG型六角形金属闷盖		
	45	M型大锁紧范围屏蔽金属电缆固定头 S型/新能源汽车专用	113	M型/PG型金属缩径环		
	46	M型多孔屏蔽金属电缆固定头	114	M型/PG型金属扩径环		
	47	M复合型屏蔽金属电缆固定头	115	M-PG型/M-NPT型/PG-M型/PG-NPT型金属变径环		
	48	M型屏蔽金属电缆固定头 R型	116	电缆引入系统		
	49	PG型屏蔽金属电缆固定头 R型	117	多孔方形密封穿线板		
	50	NPT型屏蔽金属电缆固定头 R型	118	多孔圆形密封穿线板		
	51	GPF型屏蔽金属电缆固定头 R型	119	宝塔型密封穿线板		
	52	M型/PG型圆形屏蔽金属电缆固定头 W型	120	单孔穿线护套		
Special Applications	53	M型铠装电缆固定头	121	安装尺寸		
	54	M型金属电缆固定头 W型	122	应用图		
	56	M加长型金属电缆固定头 W型	123	金属防水盒		
	58	M型漏斗	124	ABS/PC塑料防水盒		
	59	M型防折弯金属电缆固定头				
	60	PG型防折弯金属电缆固定头				
	61	M型/PG型双锁紧防折弯金属电缆固定头				
	62	大锁紧范围金属电缆固定头				
	63	双锁紧金属电缆固定头				
	64	平口接头				
	65	M复合型电缆固定头				
				Conduit System	66	防水透气接头
					67	M型防水防尘透气接头
			68		M型防折弯防水防尘透气接头	
			69		M型金属防水防尘透气接头	
			70		安装指南	
			72		防水透气阀	
			73		金属/尼龙防水透气	
			74		安装指南	
			76		轨道交通专用软管快速接头	
			78		M型尼龙软管快速接头	
			79		M型90°尼龙软管快速接头	
			80		M型/PG型/NPT型金属螺纹尼龙软管快速接头	
			81		M型90°金属螺纹尼龙软管快速接头	
			82	M型防水软管接头		
			83	M型金属软管接头		
			84	M型包塑金属软管接头		
			86	M型双锁紧金属软管电缆固定头		
			87	包塑金属软管		
			88	BST-PA6尼龙软管中壁		
			89	BST-PA6阻燃尼龙软管中壁		
			90	BST-PA6尼龙软管厚壁		
			91	BST-PA6阻燃尼龙软管厚壁		
			92	BST-PA12尼龙软管中壁		
			93	BST-PA12阻燃尼龙软管中壁特软型		
			94	BST-PA12尼龙软管厚壁特软型		
			95	BST-PA12阻燃尼龙软管厚壁特软型		
			96	BST-PP波纹管		
			97	BST-PE波纹管特软型		
			98	塞棒		
			99	M型/PG型/NPT型O型圈		
			100	M型/PG型/NPT型垫片		
			101	M型/PG型/NPT型/GPF型尼龙六角螺母		
			102	尼龙无圆边六角螺母		
			103	M型/PG型/GPF型金属六角螺母		
			104	M型/PG型带齿金属六角螺母		
			105	M型双锁紧六角螺母		
			106	工具		
			107	M型/PG型/NPT型/GPF型圆形堵塞件		
			108	M型/PG型尼龙六角形闷盖		
			109	M型定制尼龙闷盖		
			110	扣式塞头		
			111	M型/PG型金属圆形堵塞件		
			112	M型/PG型六角形金属闷盖		
			113	M型/PG型金属缩径环		
			114	M型/PG型金属扩径环		
			115	M-PG型/M-NPT型/PG-M型/PG-NPT型金属变径环		
			116	电缆引入系统		
			117	多孔方形密封穿线板		
			118	多孔圆形密封穿线板		
			119	宝塔型密封穿线板		
			120	单孔穿线护套		
			121	安装尺寸		
			122	应用图		
			123	金属防水盒		
			124	ABS/PC塑料防水盒		



## INDEX

Standard Industrial	01	Metric Type Nylon Cable Glands	Waterproof & Vent Series	66	Waterproof and Ventilation Glands
	02	Metric-Length Type Nylon Cable Glands		67	Metric Type Waterproof,Dustproof and Breathable Glands
	03	PG Type Nylon Cable Glands		68	Metric Type Waterproof,Dustproof and Breathable Glands with Strain Relief
	04	PG-Length Type Nylon Cable Glands		69	Metric Type Waterproof,Dustproof and Breathable Metal Glands
	05	NPT Type Nylon Cable Glands		71	Installation Guide
	06	G(PF) Type Nylon Cable Glands		72	Ventilation Plug
	07	MG Type Nylon Cable Glands		73	Metal/Nylon Ventilation Plug
	08	Metric/Metric-Length Type Nylon Cable Glands with Strain Relief		75	Installation Guide
	09	PG/PG-Length Type Nylon Cable Glands with Strain Relief		76	Special hose quick connection for rail transit
	10	NPT Type/G(PF) Type Nylon Cable Glands with Strain Relief		78	Metric Type Fast-Fit Straight Conduit Fittings
	11	Metric Type Metal Cable Glands		79	Metric Type 90 degree Elbow conduit Fitting
	12	Metric-Length Type Metal Cable Glands		80	Metric Type/PG Type/NPT Type Fast-Fit Straight Conduit Fittings With Metal External Thread
	13	PG Type Metal Cable Glands		81	Metric Type 90 degree Elbow conduit Fitting with metal External Thread
	14	PG-Length Type Metal Cable Glands		82	MG Type Waterproof Flexible Conduit Fittings
	15	NPT Type Metal Cable Glands		83	Metric Type Metal Conduit Fittings With Increased Watertightness
	16	G(PF) Type Metal Cable Glands		84	Metric Type Metal Conduit Fittings for PVC Coated Conduit
	17	Metric Type Metal Cable Glands-Reinforced Type		86	Metric Type Metal Conduit fitting with Increased Water tightness and Cable Grip
	18	Metric-Length Type Metal Cable Glands-Reinforced Type		87	PVC Coated Metal Conduit
	19	PG Type Metal Cable Glands-Reinforced Type		88	BST-PA6 Flexible Conduit Medium-Duty
	20	PG-Length Type Stainless Steel Cable Glands-Reinforced Type		89	BST-PA6 Flame-Retardant Flexible Conduit Medium-Duty
	21	NPT Type Metal Cable Glands-Reinforced Type		90	BST-PA6 Flexible Conduit Heavy-Duty
	22	G(PF) Type Metal Cable Gland-Reinforced Type		91	BST-PA6 Fireproof Flexible Conduit Heavy-Duty
	23	Metric Type Stainless Steel Cable Glands-Reinforced Type		92	BST-PA12 Flexible Conduit Medium-Duty
	24	Metric-Length Type Stainless Steel Cable Glands-Reinforced Type		93	BST-PA12 Fireproof Flexible Conduit Medium-Duty Very Flexible
	25	PG Type Stainless Steel Cable Glands-Reinforced Type		94	BST-PA12 Flexible Conduit Heavy-Duty Very Flexible
	26	PG-Length Type Stainless Steel Cable Glands-Reinforced Type		95	BST-PA12 Flammability Retardant Flexible Conduit Heavy-Duty Very Flexible
	27	NPT Type Stainless Steel Cable Glands-Reinforced Type		96	BST-PP Conduit
	28	G(PF) Type Stainless Steel Cable Gland-Reinforced Type		97	BST-PE Conduit Very Soft
	29	Multiple-entry Nylon Cable Glands-Metric Type		98	Rubber Inserts
Multi-Entry	31	Multiple-entry Nylon Cable Glands-PG Type	Accessories	99	Metric Type/PG Type/NPT Type O-Ring
	32	Multiple-entry Nylon Cable Glands-NPT Type		100	Metric Type/PG Type/NPT Type Gasket
	33	Multiple-entry Nylon Cable Glands-G(PF) Type		101	Metric Type/PG Type/NPT Type/G(PF) Type Nylon LockNuts
	34	Multiple-entry Metal Cable Glands-Metric Type		102	Hexagon Nylon Locknut without Round Edge
	35	Multiple-entry Metal Cable Glands-PG Type		103	Metric Type/PG Type/G(PF) Type Metal LockNuts
	36	Multiple-entry Metal Cable Glands-NPT Type		104	Metric Type/PG Type Serrated Metal Lock Nut
	37	Multiple-entry Metal Cable Glands-G(PF) Type		105	Metric Type Double-Locking Nuts
	38	Nylon Cable Glands for Flat Cable and ASI-Bus Cable		106	Tool
	39	Metric Type Metal Cable Glands for Flat Cable and ASI-Bus Cable		107	Metric Type /PG Type /NPT Type /G(PF) Type Nylon Screw Plugs
	40	Metric Type EMC Metal Cable Glands-Spring Type		108	Metric Type/PG Type Hexagon Nylon Screw Plug
EMC	41	PG Type EMC Metal Cable Glands-Spring Type	109	Metric Type Customization Nylon Screw Plug	
	42	NPT Type EMC Metal Cable Glands-Spring Type	110	Snap in Type Hole Plug	
	43	G(PF) Type EMC Metal Cable Glands-Spring Type	111	Metric Type/PG Type Metal Screw Plugs	
	44	Metric Type EMC Metal Cable Gland-Spring Type /NEV Only	112	Metric Type/PG Type Metal Hexagon Screw Plugs	
	45	Metric Type Wide Clamping Range EMC Glands-Spring Type/NEV Only	113	Metric Type/PG Type Metallic Thread Reducer	
	46	Metric Type Multi-Entry Metal Cable Glands EMC-S type	114	Metric Type/PG Type Metal Thread Enlarger	
	47	Metric Type Composite EMC Cable Glands-S Type	115	Metric-PG /Metric-NPT/PG-Metric Type/PG-NPT Type Metallic Thread Adaptor	
	48	Metric Type EMC Metal Cable Glands-Ring Type	116	Cable Entry System	
	49	PG Type EMC Metal Cable Glands-Ring Type	117	Cable Entry Plates-Square type with multi-hole	
	50	NPT Type EMC Metal Cable Glands-Ring Type	118	Perforated circular sealing threading plate	
	51	G(PF) Type EMC Metal Cable Glands-Ring Type	119	Cable Entry Grommets	
	52	Metric Type/PG Type Circular EMC Metal Cable Glands W Type	120	Single hole threading sheath	
	53	Metric Armoured Metal Cable Gland	121	Installation Dimension	
	54	Metric Type Metal Cable Glands W Type	122	Instruction of usage	
	55	Metric-Length Type Metal Cable Glands W Type	123	Metal Waterproof Enclosure	
Special Applications	58	Metric Type Ex-Stuffing Glands	Enclosure System	124	ABS/PC Plastic Waterproof Enclosure
	59	Metric Type Metal Cable Glands with Bend-protection			
	60	PG Type Metal Cable Glands with Bend-protection			
	61	Metric Type/PG Type Metal Cable Glands with Bend-protection and Centric Strain Relief			
	62	Metric/PG Type Metal Cable Glands With Wide Clamping Range			
	63	Metric/PG Type Brass Cable Glands With Centric Strain Relief			
	64	Super Power Metal Cable Glands			
	65	Metric Type Composite Cable Glands			

# M型电缆固定头

## Metric Type Nylon Cable Glands



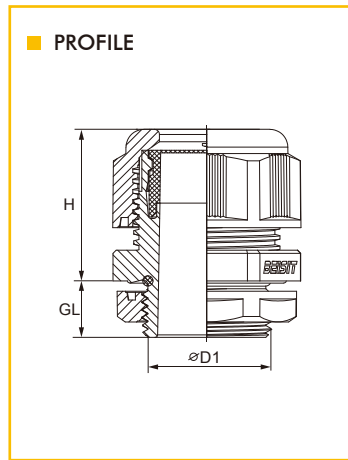
→ M

--	--	--	--	--	--

材料: 采用UL认可的尼龙材料	Material: PA (NYLON), UL 94 V-2
防水圈: EPDM (可选丁腈橡胶, 硅橡胶, TPV等)	Seal: EPDM (optional material NBR, Silicone Rubber,TPV)
O型圈: EPDM (可选硅橡胶, TPV, 氟橡胶等)	O-Ring: EPDM (optional material, Silicone Rubber, TPV,FPM)
工作温度: -40°C至100°C	Working temperature: -40°C to100°C
颜色种类: 灰色、黑色, 其他颜色可定做	Color: Grey(RAL7035), Black(RAL9005), other colors customized.
材料种类: V0或F1可定做	Material options: V0, or F1 can be offered upon request.

如需其他材料或者颜色, 请垂询! Other material or Colors upon request.

O型圈默认预装! All O rings are pre-assembled as standard.



Thread øD1	mm	H mm	GL mm	mm	Beisit No. RAL7035	Beisit No. RAL9005
M10 x 1.5	3-6.5	21	8	15	M1007	M1007B
M10 x 1.5	2-5	21	8	15	M1005	M1005B
M12 x 1.5	3-6.5	21	8	15	M1207	M1207B
M12 x 1.5	2-5	21	8	15	M1205	M1205B
M12 x 1.5	4-8	22	8	19	M1208	M1208B
M16 x 1.5	4-8	22	8	19	M1608	M1608B
M16 x 1.5	2-6	22	8	19	M1606	M1606B
M16 x 1.5	5-10	25	8	22	M1610	M1610B
M18 x 1.5	3-7	22	8	19	M1807	M1807B
M18 x 1.5	5-10	22	8	19	M1810	M1810B
M20 x 1.5	6-12	27	9	24	M2012	M2012B
M20 x 1.5	5-9	27	9	24	M2009	M2009B
M20 x 1.5	10-14	28	9	27	M2014	M2014B
M20 x 1.5	10-15	32	10	27	M2015	M2015B
M22 x 1.5	10-14	28	9.5	27	M2214	M2214B
M24 x 1.5	10-14	28	12	27	M2414	M2414B
M25 x 1.5	7-12	28	12	27	M25712	M25712B
M25 x 1.5	10-14	28	12	27	M2514	M2514B
M25 x 1.5	9-16	31	11	33	M2516	M2516B
M25 x 1.5	13-18	31	11	33	M2518	M2518B
M30 x 1.5	13-18	31	12	33	M3018	M3018B
M30 x 1.5	18-25	37	12	42	M3025	M3025B
M32 x 1.5	18-25	37	11	42	M3225	M3225B
M32 x 1.5	13-20	37	11	42	M3220	M3220B
M32 x 1.5	16-22.5	37	11	42	M3222	M3222B
M40 x 1.5	22-32	48	13	53	M4032	M4032B
M40 x 1.5	20-26	48	13	53	M4026	M4026B
M40 x 1.5	23-33.5	48	13	53	M4033	M4033B
M50 x 1.5	32-38	49	13	60	M5038	M5038B
M50 x 1.5	25-31	49	13	60	M5031	M5031B
M63 x 1.5	37-44	49	14	65/68	M6344	M6344B
M63 x 1.5	29-35	49	14	65/68	M6335	M6335B
M63 x 1.5	25-30.5	49	14	65/68	M6330	M6330B
M63 x 1.5	30.5-40	49	14	65/68	M6340	M6340B
M75 x 2	47-56	65	25	82	M7556	M7556B
M75 x 2	38-56	65	25	82	M7547-T	M7547B-T
M75 x 2	23-56	65	25	82	M7530-T	M7530B-T
★ 非常用型号 Non-Standard Model						
★ M27 x 1.5	9-16	31	11	33	M2716	M2716B
★ M27 x 1.5	13-18	31	11	33	M2718	M2718B
★ M32 x 1.5	9-16	31	11	33/42	M3216	M3216B
★ M32 x 1.5	13-18	31	11	33/42	M3218	M3218B

专利产品 Patented product.



# M加长型电缆固定头

Metric-Length Type Nylon Cable Glands



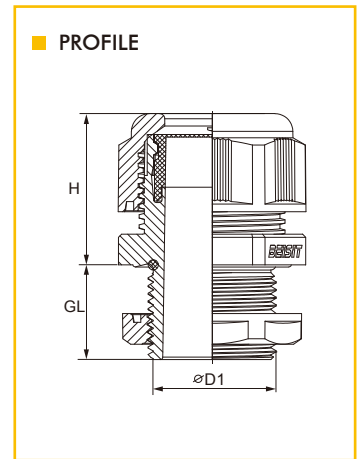
## → M-Length



材料: 采用UL认可的尼龙材料	Material: PA (NYLON), UL 94 V-2
防水圈: EPDM(可选丁腈橡胶, 硅橡胶, TPV等)	Seal: EPDM (optional material NBR, Silicone Rubber,TPV)
O型圈: EPDM (可选硅橡胶, TPV, 氟橡胶等)	O-Ring: EPDM (optional material, Silicone Rubber, TPV,FPM)
工作温度: -40°C至100°C	Working temperature: -40°C to 100°C
颜色种类: 灰色、黑色, 其他颜色可定做	Color: Grey(RAL7035), Black(RAL9005), other colors customized.

如需其他材料或者颜色, 请垂询! Other material or Colors upon request.

O型圈默认预装! All O rings are pre-assembled as standard.



Thread $\varnothing D1$	$\varnothing$ mm	H mm	GL mm	$\varnothing$ mm	Beisit No. RAL7035	Beisit No. RAL9005
M12 x 1.5	3-6.5	21	15	15	M1207L	M1207BL
M12 x 1.5	2-5	21	15	15	M1205L	M1205BL
M12 x 1.5	4-8	22	15	19	M1208L	M1208BL
M16 x 1.5	4-8	22	15	19	M1608L	M1608BL
M16 x 1.5	2-6	22	15	19	M1606L	M1606BL
M16 x 1.5	5-10	25	15	22	M1610L	M1610BL
M20 x 1.5	6-12	27	15	24	M2012L	M2012BL
M20 x 1.5	5-9	27	15	24	M2009L	M2009BL
M20 x 1.5	10-14	28	15	27	M2014L	M2014BL
M25 x 1.5	13-18	31	15	33	M2518L	M2518BL
M25 x 1.5	9-16	31	15	33	M2516L	M2516BL
M32 x 1.5	18-25	39	15	42	M3225L	M3225BL
M32 x 1.5	13-20	39	15	42	M3220L	M3220BL
M32 x 1.5	16-22.5	37	15	42	M3222L	M3222BL
M40 x 1.5	22-32	48	18	53	M4032L	M4032BL
M40 x 1.5	20-26	48	18	53	M4026L	M4026BL
M50 x 1.5	32-38	49	18	60	M5038L	M5038BL
M50 x 1.5	25-31	49	18	60	M5031L	M5031BL
M63 x 1.5	37-44	49	18	65/68	M6344L	M6344BL
M63 x 1.5	29-35	49	18	65/68	M6335L	M6335BL
M63 x 1.5	25-30.5	49	18	65/68	M6330L	M6330BL
M63 x 1.5	30.5-40	49	18	65/68	M6340L	M6340BL

专利产品 Patented product.



# PG型电缆固定头

## PG Type Nylon Cable Glands



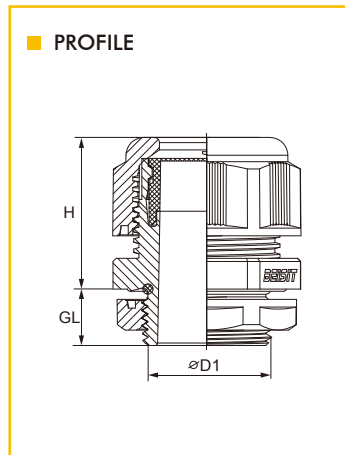
→ PG



材料: 采用UL认可的尼龙材料	Material: PA (NYLON), UL 94 V-2
防水圈: EPDM (可选丁腈橡胶, 硅橡胶, TPV等)	Seal: EPDM (optional material NBR, Silicone Rubber, TPV)
O型圈: EPDM (可选硅橡胶, TPV, 氟橡胶等)	O-Ring: EPDM (optional material, Silicone Rubber, TPV, FPM)
工作温度: -40°C至100°C	Working temperature: -40°C to 100°C
颜色种类: 灰色、黑色, 其他颜色可定做	Color: Grey (RAL7035), Black (RAL9005), other colors customized.
材料种类: V0或F1可定做	Material options: V0, or F1 can be offered upon request.

如需其他材料或者颜色, 请垂询! Other material or Colors upon request.

O型圈默认预装! All O rings are pre-assembled as standard.



Thread øD1	Øk mm	H mm	GL mm	H mm	Beisit No. RAL7035	Beisit No. RAL9005
PG 7	3-6.5	21	8	15	P0707	P0707B
PG 7	2-5	21	8	15	P0705	P0705B
PG 9	4-8	22	8	19	P0908	P0908B
PG 9	2-6	22	8	19	P0906	P0906B
PG 11	5-10	25	8	22	P1110	P1110B
PG 11	3-7	25	8	22	P1107	P1107B
PG 13.5	6-12	27	9	24	P13512	P13512B
PG 13.5	5-9	27	9	24	P13509	P13509B
PG 16	10-14	28	10	27	P1614	P1614B
PG 16	7-12	28	10	27	P1612	P1612B
PG 21	13-18	31	11	33	P2118	P2118B
PG 21	9-16	31	11	33	P2116	P2116B
PG 29	18-25	37	11	42	P2925	P2925B
PG 29	13-20	37	11	42	P2920	P2920B
PG 29	16-22.5	37	11	42	P2922	P2922B
PG 36	22-32	48	13	53	P3632	P3632B
PG 36	20-26	48	13	53	P3626	P3626B
PG 42	32-38	49	13	60	P4238	P4238B
PG 42	25-31	49	13	60	P4231	P4231B
PG 48	37-44	49	14	65	P4844	P4844B
PG 48	29-35	49	14	65	P4835	P4835B
PG 48	25-30.5	49	14	65	P4830	P4830B
PG 48	30.5-40	49	14	65	P4840	P4840B
PG 48	18-44	49	14	65	P4824-T	P4824B-T
PG 48	40-50	52	14	70	P4850	P4850B
PG 48	30-50	52	14	70	P4840-T	P4840B-T
★ 非常用型号 Non-Standard Model						
★ PG 19	12-15	33	11	27	P1915-HW	P1915B-HW
★ PG 19	12-15.5	30	12	27	P1916-DH	P1916B-DH

专利产品 Patented product.



# PG加长型电缆固定头

## PG-Length Type Nylon Cable Glands



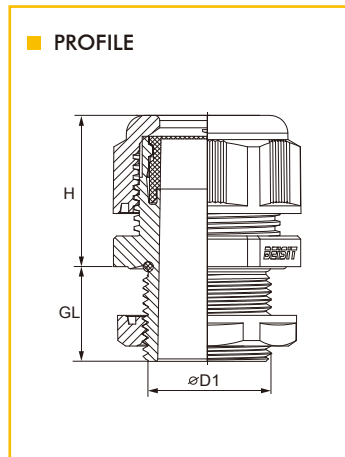
### → PG-Length



材料: 采用UL认可的尼龙材料	Material: PA (NYLON), UL 94 V-2
防水圈: EPDM (可选丁腈橡胶, 硅橡胶, TPV等)	Seal: EPDM (optional material NBR, Silicone Rubber, TPV)
O型圈: EPDM (可选硅橡胶, TPV, 氟橡胶等)	O-Ring: EPDM (optional material, Silicone Rubber, TPV, FPM)
工作温度: -40°C至100°C	Working temperature: -40°C to 100°C
颜色种类: 灰色、黑色, 其他颜色可定做	Color: Grey (RAL7035), Black (RAL9005), other colors customized.
材料种类: V0或F1可定做	Material options: V0, or F1 can be offered upon request.

如需其他材料或者颜色, 请垂询! Other material or Colors upon request.

O型圈默认预装! All O rings are pre-assembled as standard.



Thread øD1	Øk mm	H mm	GL mm	mm	Beisit No. RAL7035●	Beisit No. RAL9005●
PG 7	3-6.5	21	15	15	P0707L	P0707BL
PG 7	2-5	21	15	15	P0705L	P0705BL
PG 9	4-8	22	15	19	P0908L	P0908BL
PG 9	2-6	22	15	19	P0906L	P0906BL
PG 11	5-10	25	15	22	P1110L	P1110BL
PG 11	3-7	25	15	22	P1107L	P1107BL
PG 13.5	6-12	27	15	24	P13512L	P13512BL
PG 13.5	5-9	27	15	24	P13509L	P13509BL
PG 16	10-14	28	15	27	P1614L	P1614BL
PG 16	7-12	28	15	27	P1612L	P1612BL
PG 21	13-18	31	15	33	P2118L	P2118BL
PG 21	9-16	31	15	33	P2116L	P2116BL
PG 29	16-22.5	37	15	42	P2922L	P2922BL
PG 29	18-25	37	15	42	P2925L	P2925BL
PG 29	13-20	37	15	42	P2920L	P2920BL
PG 36	22-32	48	18	53	P3632L	P3632BL
PG 36	20-26	48	18	53	P3626L	P3626BL
PG 42	32-38	49	18	60	P4238L	P4238BL
PG 42	25-31	49	18	60	P4231L	P4231BL
PG 48	37-44	49	18	65	P4844L	P4844BL
PG 48	29-35	49	18	65	P4835L	P4835BL
PG 48	25-30.5	49	18	65	P4830L	P4830BL
PG 48	30.5-40	49	18	65	P4840L	P4840BL
PG 48	18-44	49	18	65	P4824L-T	P4824BL-T

专利产品 Patented product.



# NPT型电缆固定头

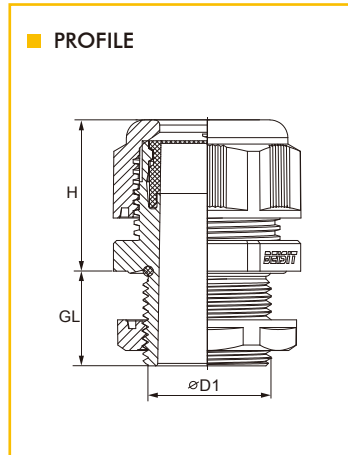
## NPT Type Nylon Cable Glands



→ NPT

材料: 采用UL认可的尼龙材料	Material: PA (NYLON), UL 94 V-2
防水圈: EPDM(可选丁腈橡胶, 硅橡胶, TPV等)	Seal: EPDM (optional material NBR, Silicone Rubber,TPV)
O型圈: EPDM (可选硅橡胶, TPV, 氟橡胶等)	O-Ring: EPDM (optional material, Silicone Rubber, TPV,FPM)
工作温度: -40°C至100°C	Working temperature: -40°C to 100°C
颜色种类: 灰色、黑色, 其他颜色可定做	Color: Grey(RAL7035), Black(RAL9005), other colors customized.
材料种类: V0或F1可定做	Material options: V0, or F1 can be offered upon request.

如需其他材料或者颜色, 请垂询! Other material or Colors upon request.  
 O型圈默认预装! All O rings are pre-assembled as standard.



Thread øD1	mm	H mm	GL mm	mm	Beisit No. RAL7035	Beisit No. RAL9005
1/4" NPT	3-6.5	21	8	15	N1407	N1407B
1/4" NPT	2-5	21	8	15	N1405	N1405B
3/8" NPT	4-8	22	15	22	N3808	N3808B
3/8" NPT	2-6	22	15	22	N3806	N3806B
1/2" NPT	6-12	27	13	24	N12612	N12612B
1/2" NPT	5-9	27	13	24	N1209	N1209B
1/2" NPT/E	10-14	28	13	27	N1214	N1214B
1/2" NPT/E	7-12	28	13	27	N12712	N12712B
3/4" NPT	13-18	31	14	33	N3418	N3418B
3/4" NPT	9-16	31	14	33	N3416	N3416B
1" NPT	18-25	37	19	42	N10025	N10025B
1" NPT	13-20	37	19	42	N10020	N10020B
1 1/4" NPT	18-25	39	16	42/46	N11425	N11425B
1 1/4" NPT	13-20	39	16	42/46	N11420	N11420B
1 1/4" NPT	22-32	48	16	53	N11432	N11432B
1 1/2" NPT	22-32	48	20	53	N11232	N11232B
1 1/2" NPT	20-26	48	20	53	N11226	N11226B
1 1/2" NPT	32-38	49	20	60	N11238	N11238B
2" NPT	37-44	49	20	65	N20044	N20044B
2" NPT	29-35	49	20	65	N20035	N20035B
2" NPT	25-30.5	49	20	65	N20030	N20030B
2" NPT	30.5-40	49	20	65	N20040	N20040B

专利产品 Patented product.





# G(PF)型电缆固定头

## G(PF) Type Nylon Cable Glands

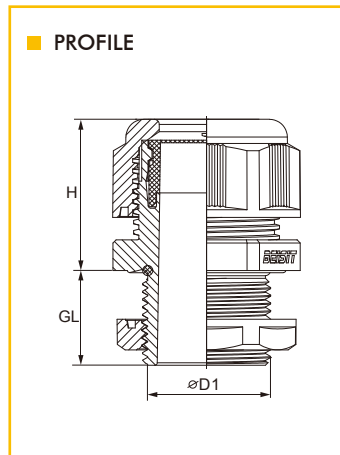


→ G(PF)



材料: 采用UL认可的尼龙材料	Material: PA (NYLON), UL 94 V-2
防水圈: EPDM (可选丁腈橡胶, 硅橡胶, TPV等)	Seal: EPDM (optional material NBR, Silicone Rubber, TPV)
O型圈: EPDM (可选硅橡胶, TPV, 氟橡胶等)	O-Ring: EPDM (optional material, Silicone Rubber, TPV, FPM)
工作温度: -40°C至100°C	Working temperature: -40°C to 100°C
颜色种类: 灰色、黑色, 其他颜色可定做	Color: Grey(RAL7035), Black(RAL9005), other colors customized.
材料种类: V0或F1可定做	Material options: V0, or F1 can be offered upon request.

如需其他材料或者颜色, 请垂询! Other material or Colors upon request.  
O型圈默认预装! All O rings are pre-assembled as standard.



Thread øD1	Ø mm	H mm	GL mm	mm	Beisit No. RAL7035	Beisit No. RAL9005
G(PF)1/4"	3-6.5	21	9	15	G1407	G1407B
G(PF)1/4"	2-5	21	9	15	G1405	G1405B
G(PF)3/8"	4-8	22	10	19/22	G3808	G3808B
G(PF)3/8"	2-6	22	10	19/22	G3806	G3806B
G(PF)1/2"	6-12	26	10	24	G1212	G1212B
G(PF)1/2"	5-9	26	10	24	G1209	G1209B
G(PF)1/2"	10-14	28	10	27	G1214	G1214B
G(PF)3/4"	13-18	31	15	33	G3418	G3418B
G(PF)3/4"	9-16	31	15	33	G3416	G3416B
G(PF)1"	18-25	39	15	42	G10025	G10025B
G(PF)1"	13-20	39	15	42	G10020	G10020B
G(PF)1 1/4"	22-32	48	15	53	G11432	G11432B
G(PF)1 1/4"	20-26	48	15	53	G11426	G11426B
G(PF)1 1/2"	32-38	49	20	60	G11238	G11238B
G(PF)1 1/2"	25-31	49	20	60	G11231	G11231B
G(PF)2"	37-44	50	20	65	G20044	G20044B
G(PF)2"	29-35	50	20	65	G20035	G20035B
G(PF)2"	25-30.5	50	20	65	G20030	G20030B
G(PF)2"	30.5-40	50	20	65	G20040	G20040B

专利产品 Patented product.



# MG型电缆固定头

## MG Type Nylon Cable Glands

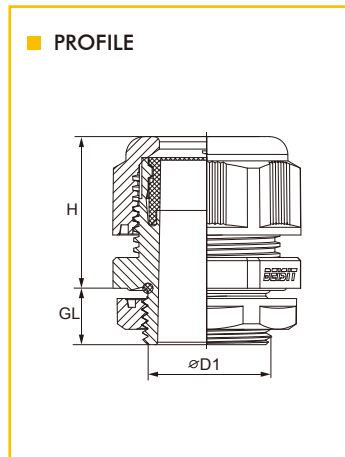


→ MG PG CE IP68 RoHS REACH

材料: 采用UL认可的尼龙材料	Material: PA (NYLON), UL 94 V-2
防水圈: EPDM(可选丁腈橡胶, 硅橡胶, TPV等)	Seal: EPDM (optional material NBR, Silicone Rubber,TPV)
垫片: EPDM (可选硅橡胶, TPV, 氟橡胶等)	Gasket: EPDM (optional material, Silicone Rubber, TPV,FPM)
工作温度: -40°C至100°C	Working temperature: -40°C to 100°C
颜色种类: 灰色、黑色, 其他颜色可定做	Color: Grey(RAL7035), Black(RAL9005), other colors customized.
材料种类: V0或F1可定做	Material options: V0, or F1 can be offered upon request.

如需其他材料或者颜色, 请垂询! Other material or Colors upon request.

O型圈默认预装! All O rings are pre-assembled as standard.



Thread øD1	∅ mm	H mm	GL mm	 mm	Beisit No. RAL7035 ●	Beisit No. RAL9005 ●
MG 16	5-10	25	15	22	MG1610	MG1610B
MG 16	3-7	25	15	22	MG1607	MG1607B
MG 20	10-14	28	15	27	MG2014	MG2014B
MG 20	7-12	28	15	27	MG2012	MG2012B
MG 25	13-18	31	15	33	MG2518	MG2518B
MG 25	9-16	31	15	33	MG2516	MG2516B
MG 32	18-25	39	15	42	MG3225	MG3225B
MG 32	13-20	39	15	42	MG3220	MG3220B
MG 63	37-44	49	24	68	MG6344	MG6344B
MG 63	29-35	49	24	68	MG6335	MG6335B



# M/M加长型防折弯电缆固定头

Metric/Metric-Length Type Nylon Cable Glands with Strain Relief



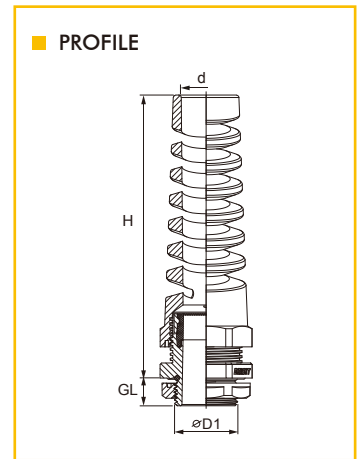
## → M/M-Length



材料: 采用UL认可的尼龙材料	Material: PA (NYLON), UL 94 V-2
防水圈: EPDM(可选丁腈橡胶, 硅橡胶, TPV等)	Seal: EPDM (optional material NBR, Silicone Rubber,TPV)
O型圈: EPDM (可选硅橡胶, TPV, 氟橡胶等)	O-Ring: EPDM (optional material, Silicone Rubber, TPV,FPM)
工作温度: -40°C至100°C	Working temperature: -40°C to 100°C
颜色种类: 灰色、黑色, 其他颜色可定做	Color: Grey(RAL7035), Black(RAL9005), other colors customized.
材料种类: V0或F1可定做	Material options: V0, or F1 can be offered upon request.

如需其他材料或者颜色, 请垂询! Other material or Colors upon request.

O型圈默认预装! All O rings are pre-assembled as standard.



Thread $\varnothing D1$	$\varnothing k$ mm	H mm	GL mm	d mm	 mm	Beisit No. RAL7035●	Beisit No. RAL9005●
M12 x 1.5	3-6.5	54	8	7	16.5/15	M1207SR	M1207SRB
M12 x 1.5	2-5	54	8	7	16.5/15	M1205SR	M1205SRB
M12 x 1.5	4-8	63	8	7	19	M1208SR	M1208SRB
M16 x 1.5	4-8	63	8	8.5	19	M1608SR	M1608SRB
M16 x 1.5	2-6	63	8	8.5	19	M1606SR	M1606SRB
M16 x 1.5	5-10	78	8	10.5	22	M1610SR	M1610SRB
M16 x 1.5	3-7	78	8	10.5	22	M1607SR	M1607SRB
M20 x 1.5	6-12	90	9	13	24	M2012SR	M2012SRB
M20 x 1.5	5-9	90	9	13	24	M2009SR	M2009SRB
M20 x 1.5	10-14	100	9	15.5	27	M2014SR	M2014SRB
M25 x 1.5	13-18	114	11	20	33	M2518SR	M2518SRB
M25 x 1.5	9-16	114	11	20	33	M2516SR	M2516SRB
M12 x 1.5	3-6.5	54	15	7	16.5/15	M1207SRL	M1207SRBL
M12 x 1.5	2-5	54	15	7	16.5/15	M1205SRL	M1205SRBL
M12 x 1.5	4-8	63	8	7	19	M1208SRL	M1208SRBL
M16 x 1.5	4-8	63	15	8.5	19	M1608SRL	M1608SRBL
M16 x 1.5	2-6	63	15	8.5	19	M1606SRL	M1606SRBL
M16 x 1.5	5-10	78	15	10.5	22	M1610SRL	M1610SRBL
M16 x 1.5	3-7	78	15	10.5	22	M1607SRL	M1607SRBL
M20 x 1.5	6-12	90	15	13	24	M2012SRL	M2012SRBL
M20 x 1.5	5-9	90	15	13	24	M2009SRL	M2009SRBL
M20 x 1.5	10-14	100	15	15.5	27	M2014SRL	M2014SRBL
M25 x 1.5	13-18	114	15	20	33	M2518SRL	M2518SRBL
M25 x 1.5	9-16	114	15	20	33	M2516SRL	M2516SRBL



# PG/PG加长型防折弯电缆固定头

PG/PG-Length Type Nylon Cable Glands with Strain Relief



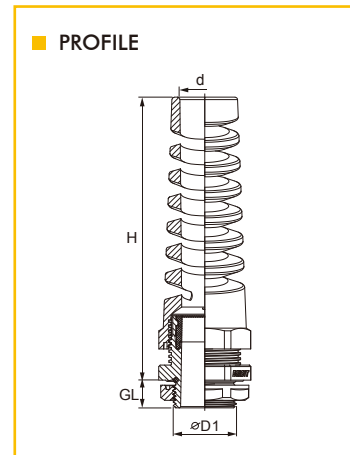
## → PG/PG-Length



材料: 采用UL认可的尼龙材料	Material: PA (NYLON), UL 94 V-2
防水圈: EPDM(可选丁腈橡胶, 硅橡胶, TPV等)	Seal: EPDM (optional material NBR, Silicone Rubber,TPV)
O型圈: EPDM (可选硅橡胶, TPV, 氟橡胶等)	O-Ring: EPDM (optional material, Silicone Rubber, TPV,FPM)
工作温度: -40°C至100°C	Working temperature: -40°C to 100°C
颜色种类: 灰色、黑色, 其他颜色可定做	Color: Grey(RAL7035), Black(RAL9005), other colors customized.
材料种类: V0或F1可定做	Material options: V0, or F1 can be offered upon request.

如需其他材料或者颜色, 请垂询! Other material or Colors upon request.

O型圈默认预装! All O rings are pre-assembled as standard.



Thread øD1	Øk mm	H mm	GL mm	d mm	U mm	Beisit No. RAL7035●	Beisit No. RAL9005●
PG 7	3-6.5	54	8	7	16.5/15	P0707SR	P0707SRB
PG 7	2-5	54	8	7	16.5/15	P0705SR	P0705SRB
PG 9	4-8	63	8	8.5	19	P0908SR	P0908SRB
PG 9	2-6	63	8	8.5	19	P0906SR	P0906SRB
PG 11	5-10	78	8	10.5	22	P1110SR	P1110SRB
PG 11	3-7	78	8	10.5	22	P1107SR	P1107SRB
PG 13.5	6-12	90	9	13	24	P13512SR	P13512SRB
PG 13.5	5-9	90	9	13	24	P13509SR	P13509SRB
PG 16	10-14	100	10	15.5	27	P1614SR	P1614SRB
PG 16	7-12	100	10	15.5	27	P1612SR	P1612SRB
PG 21	13-18	114	11	20	33	P2118SR	P2118SRB
PG 21	9-16	114	11	20	33	P2116SR	P2116SRB
PG 7	3-6.5	54	15	7	16.5/15	P0707SRL	P0707SRBL
PG 7	2-5	54	15	7	16.5/15	P0705SRL	P0705SRBL
PG 9	4-8	63	15	8.5	19	P0908SRL	P0908SRBL
PG 9	2-6	63	15	8.5	19	P0906SRL	P0906SRBL
PG 11	5-10	78	15	10.5	22	P1110SRL	P1110SRBL
PG 11	3-7	78	15	10.5	22	P1107SRL	P1107SRBL
PG 13.5	6-12	90	15	13	24	P13512SRL	P13512SRBL
PG 13.5	5-9	90	15	13	24	P13509SRL	P13509SRBL
PG 16	10-14	100	15	15.5	27	P1614SRL	P1614SRBL
PG 16	7-12	100	15	15.5	27	P1612SRL	P1612SRBL
PG 21	13-18	114	15	20	33	P2118SRL	P2118SRBL
PG 21	9-16	114	15	20	33	P2116SRL	P2116SRBL



# NPT型/G(PF)型防折弯电缆固定头

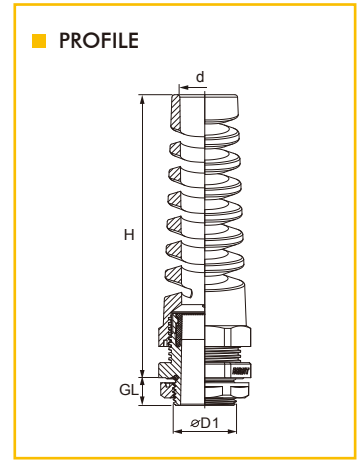
NPT Type/G(PF) Type Nylon Cable Glands with Strain Relief



→ NPT/G(PF)

材料: 采用UL认可的尼龙材料	Material: PA (NYLON), UL 94 V-2
防水圈: EPDM(可选丁腈橡胶, 硅橡胶, TPV等)	Seal: EPDM (optional material NBR, Silicone Rubber,TPV)
O型圈: EPDM (可选硅橡胶, TPV, 氟橡胶等)	O-Ring: EPDM (optional material, Silicone Rubber, TPV,FPM)
工作温度: -40°C至100°C	Working temperature: -40°C to 100°C
颜色种类: 灰色、黑色, 其他颜色可定做	Color: Grey(RAL7035), Black(RAL9005), other colors customized.
材料种类: V0或F1可定做	Material options: V0, or F1 can be offered upon request.

如需其他材料或者颜色, 请垂询! Other material or Colors upon request.  
O型圈默认预装! All O rings are pre-assembled as standard.



Thread $\varnothing D1$	$\varnothing$ mm	H mm	GL mm	d mm	 mm	Beisit No. RAL7035	Beisit No. RAL9005
1/4" NPT	3-6.5	54	8	7	16.5/15	N1407SR	N1407SRB
1/4" NPT	2-5	54	8	7	16.5/15	N1405SR	N1405SRB
3/8" NPT	4-8	63	15	8.5	19/22	N3808SR	N3808SRB
3/8" NPT	2-6	63	15	8.5	19/22	N3806SR	N3806SRB
1/2" NPT	6-12	90	13	13	24	N12612SR	N12612SRB
1/2" NPT	5-9	90	13	13	24	N1209SR	N1209SRB
1/2" NPT/E	10-14	100	13	15.5	27	N1214SR	N1214SRB
1/2" NPT/E	7-12	100	13	15.5	27	N12712SR	N12712SRB
3/4" NPT	13-18	114	14	20	33	N3418SR	N3418SRB
3/4" NPT	9-16	114	14	20	33	N3416SR	N3416SRB
G(PF)1/4"	3-6.5	54	9	7	16.5/15	G1407SR	G1407SRB
G(PF)1/4"	2-5	54	9	7	16.5/15	G1405SR	G1405SRB
G(PF)3/8"	4-8	63	10	8.5	19	G3808SR	G3808SRB
G(PF)3/8"	2-6	63	10	8.5	19	G3806SR	G3806SRB
G(PF)1/2"	6-12	90	10	13	24	G1212SR	G1212SRB
G(PF)1/2"	5-9	90	10	13	24	G1209SR	G1209SRB
G(PF)1/2"	10-14	100	10	15.5	27	G1214SR	G1214SRB
G(PF)3/4"	13-18	114	15	20	33	G3418SR	G3418SRB
G(PF)3/4"	9-16	114	15	20	33	G3416SR	G3416SRB





# M型金属电缆固定头

## Metric Type Metal Cable Glands



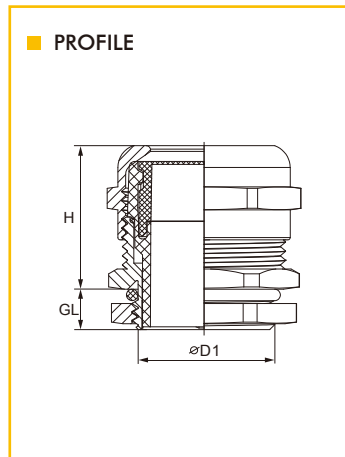
→ M

材料: 黄铜镀镍	Material: Nickel-plated brass
固定连接组件: 采用UL认可的尼龙材料	Fixture material: PA (NYLON), UL 94 V-2
防水圈: EPDM (可选丁腈橡胶, 硅橡胶, TPV等)	Seal: EPDM (optional material NBR, Silicone Rubber, TPV)
O型圈: EPDM (可选硅橡胶, TPV, 氟橡胶等)	O-Ring: EPDM (optional material, Silicone Rubber, TPV, FPM)
工作温度: -40°C至100°C	Working temperature: -40°C to 100°C

如需其他材料, 请垂询! Other material upon request.

O型圈默认预装! All O rings are pre-assembled as standard.

注: 主体密封圈可选用PTFE材质垫片 Note: The washer could be made by PTFE on request.



Thread øD1	Øk mm	H mm	GL mm	 mm	Beisit No.
M12 x 1.5	3-6.5	19	6.5	14	M1207BR
M12 x 1.5	2-5	19	6.5	14	M1205BR
M16 x 1.5	4-8	21	6	17/19	M1608BR
M16 x 1.5	2-6	21	6	17/19	M1606BR
M16 x 1.5	5-10	22	6	20	M1610BR
M20 x 1.5	6-12	23	6	22	M2012BR
M20 x 1.5	5-9	23	6	22	M2009BR
M20 x 1.5	10-14	24	6	24	M2014BR
M25 x 1.5	13-18	25	7	30	M2518BR
M25 x 1.5	9-16	25	7	30	M2516BR
M32 x 1.5	18-25	31	8	40	M3225BR
M32 x 1.5	13-20	31	8	40	M3220BR
M40 x 1.5	22-32	37	8	50	M4032BR
M40 x 1.5	20-26	37	8	50	M4026BR
M50 x 1.5	32-38	37	9	57	M5038BR
M50 x 1.5	25-31	37	9	57	M5031BR
M63 x 1.5	37-44	38	10	64/68	M6344BR
M63 x 1.5	29-35	38	10	64/68	M6335BR
★ 非常用型号 Non-Standard Model					
★ M18 x 1.5	5-10	22	6	20	M1810BR
★ M18 x 1.5	3-7	22	6	20	M1807BR
★ M22 x 1.5	10-14	24	6	24	M2214BR
★ M22 x 1.5	7-12	24	6	24	M2212BR
★ M27 x 1.5	13-18	25	7	30	M2718BR
★ M27 x 1.5	9-16	25	7	30	M2716BR

专利产品 Patented product.



# M加长型金属电缆固定头

Metric-Length Type Metal Cable Glands



## → M-Length

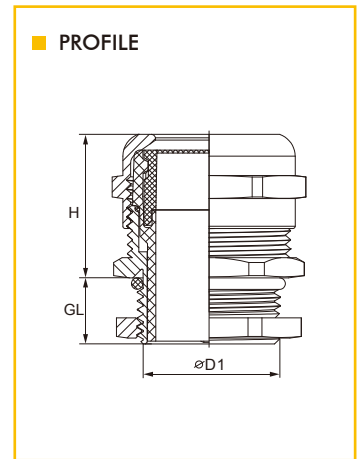


材料: 黄铜镀镍	Material: Nickel-plated brass
固定连接组件: 采用UL认可的尼龙材料	Fixture material: PA (NYLON), UL 94 V-2
防水圈: EPDM (可选丁腈橡胶, 硅橡胶, TPV等)	Seal: EPDM (optional material NBR, Silicone Rubber, TPV)
O型圈: EPDM (可选硅橡胶, TPV, 氟橡胶等)	O-Ring: EPDM (optional material, Silicone Rubber, TPV, FPM)
工作温度: -40°C至100°C	Working temperature: -40°C to 100°C

如需其他材料, 请垂询! Other material upon request.

O型圈默认预装! All O rings are pre-assembled as standard.

注: 主体密封圈可选用PTFE材质垫片 Note: The washer could be made by PTFE on request.



Thread øD1	∅k mm	H mm	GL mm	∅A mm	Beisit No.
M12 x 1.5	3-6.5	19	10	14	M1207BRL
M12 x 1.5	2-5	19	10	14	M1205BRL
M16 x 1.5	4-8	21	10	17/19	M1608BRL
M16 x 1.5	2-6	21	10	17/19	M1606BRL
M16 x 1.5	5-10	22	10	20	M1610BRL
M20 x 1.5	6-12	23	10	22	M2012BRL
M20 x 1.5	5-9	23	10	22	M2009BRL
M20 x 1.5	10-14	24	10	24	M2014BRL
M25 x 1.5	13-18	25	12	30	M2518BRL
M25 x 1.5	9-16	25	12	30	M2516BRL
M32 x 1.5	18-25	31	12	40	M3225BRL
M32 x 1.5	13-20	31	12	40	M3220BRL
M40 x 1.5	22-32	37	15	50	M4032BRL
M40 x 1.5	20-26	37	15	50	M4026BRL
M50 x 1.5	32-38	37	15	57	M5038BRL
M50 x 1.5	25-31	37	15	57	M5031BRL
M63 x 1.5	37-44	38	15	64/68	M6344BRL
M63 x 1.5	29-35	38	15	64/68	M6335BRL
★ 非常用型号 Non-Standard Model					
★ M18 x 1.5	5-10	22	10	20	M1810BRL
★ M18 x 1.5	3-7	22	10	20	M1807BRL
★ M22 x 1.5	10-14	24	10	24	M2214BRL
★ M22 x 1.5	7-12	24	10	24	M2212BRL
★ M27 x 1.5	13-18	25	12	30	M2718BRL
★ M27 x 1.5	9-16	25	12	30	M2716BRL

专利产品 Patented product.



# PG型金属电缆固定头

## PG Type Metal Cable Glands

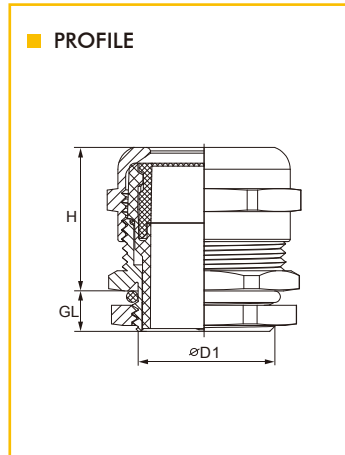


→ PG



材料: 黄铜镀镍	Material: Nickel-plated brass
固定连接组件: 采用UL认可的尼龙材料	Fixture material: PA (NYLON), UL 94 V-2
防水圈: EPDM (可选丁腈橡胶, 硅橡胶, TPV等)	Seal: EPDM (optional material NBR, Silicone Rubber, TPV)
O型圈: EPDM (可选硅橡胶, TPV, 氟橡胶等)	O-Ring: EPDM (optional material, Silicone Rubber, TPV, FPM)
工作温度: -40°C至100°C	Working temperature: -40°C to 100°C

如需其他材料, 请垂询! Other material upon request.  
 O型圈默认预装! All O rings are pre-assembled as standard.  
 注: 主体密封圈可选用PTFE材质垫片 Note: The washer could be made by PTFE on request.



Thread øD1	∅K mm	H mm	GL mm	H mm	Beisit No.
PG 7	3-6.5	19	5	14	P0707BR
PG 7	2-5	19	5	14	P0705BR
PG 9	4-8	21	6	17	P0908BR
PG 9	2-6	21	6	17	P0906BR
PG 11	5-10	22	6	20	P1110BR
PG 11	3-7	22	6	20	P1107BR
PG 13.5	6-12	23	6.5	22	P13512BR
PG 13.5	5-9	23	6.5	22	P13509BR
PG 16	10-14	24	6.5	24	P1614BR
PG 16	7-12	24	6.5	24	P1612BR
PG 21	13-18	25	7	30	P2118BR
PG 21	9-16	25	7	30	P2116BR
PG 29	18-25	31	8	40	P2925BR
PG 29	13-20	31	8	40	P2920BR
PG 36	22-32	37	8	50	P3632BR
PG 36	20-26	37	8	50	P3626BR
PG 42	32-38	37	9	57	P4238BR
PG 42	25-31	37	9	57	P4231BR
PG 48	37-44	38	10	64	P4844BR
PG 48	29-35	38	10	64	P4835BR

专利产品 Patented product.



# PG加长型金属电缆固定头

## PG-Length Type Metal Cable Glands



### → PG-Length

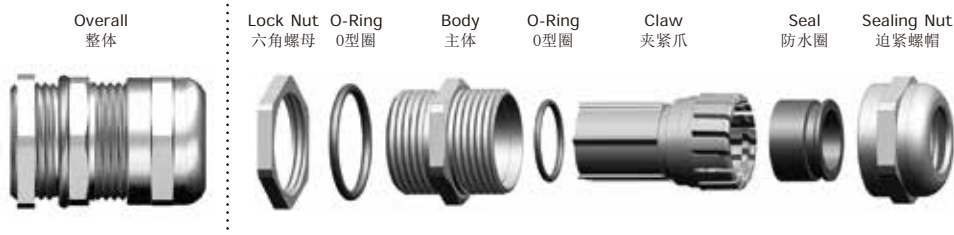
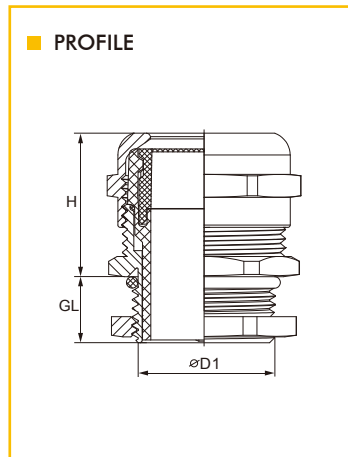


材料: 黄铜镀镍	Material: Nickel-plated brass
固定连接组件: 采用UL认可的尼龙材料	Fixture material: PA (NYLON), UL 94 V-2
防水圈: EPDM (可选丁腈橡胶, 硅橡胶, TPV等)	Seal: EPDM (optional material NBR, Silicone Rubber, TPV)
O型圈: EPDM (可选硅橡胶, TPV, 氟橡胶等)	O-Ring: EPDM (optional material, Silicone Rubber, TPV, FPM)
工作温度: -40°C至100°C	Working temperature: -40°C to 100°C

如需其他材料, 请垂询! Other material upon request.

O型圈默认预装! All O rings are pre-assembled as standard.

注: 主体密封圈可选用PTFE材质垫片 Note: The washer could be made by PTFE on request.



Thread øD1	∅K mm	H mm	GL mm	mm	Beisit No.
PG 7	3-6.5	19	10	14	P0707BRL
PG 7	2-5	19	10	14	P0705BRL
PG 9	4-8	21	10	17	P0908BRL
PG 9	2-6	21	10	17	P0906BRL
PG 11	5-10	22	10	20	P1110BRL
PG 11	3-7	22	10	20	P1107BRL
PG 13.5	6-12	23	10	22	P13512BRL
PG 13.5	5-9	23	10	22	P13509BRL
PG 16	10-14	24	10	24	P1614BRL
PG 16	7-12	24	10	24	P1612BRL
PG 21	13-18	25	12	30	P2118BRL
PG 21	9-16	25	12	30	P2116BRL
PG 29	18-25	31	12	40	P2925BRL
PG 29	13-20	31	12	40	P2920BRL
PG 36	22-32	37	15	50	P3632BRL
PG 36	20-26	37	15	50	P3626BRL
PG 42	32-38	37	15	57	P4238BRL
PG 42	25-31	37	15	57	P4231BRL
PG 48	37-44	38	15	64	P4844BRL
PG 48	29-35	38	15	64	P4835BRL

专利产品 Patented product.



# NPT型金属电缆固定头

## NPT Type Metal Cable Glands



→ NPT

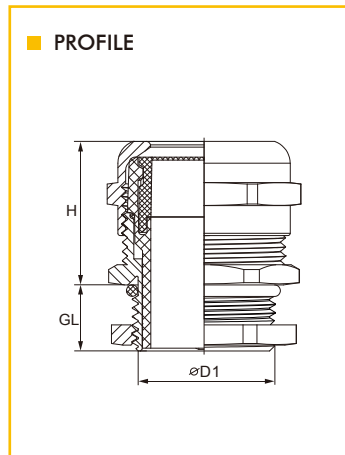


材料: 黄铜镀镍	Material: Nickel-plated brass
固定连接组件: 采用UL认可的尼龙材料	Fixture material: PA (NYLON), UL 94 V-2
防水圈: EPDM (可选丁腈橡胶, 硅橡胶, TPV等)	Seal: EPDM (optional material NBR, Silicone Rubber, TPV)
O型圈: EPDM (可选硅橡胶, TPV, 氟橡胶等)	O-Ring: EPDM (optional material, Silicone Rubber, TPV, FPM)
工作温度: -40°C至100°C	Working temperature: -40°C to 100°C
备注: 其他螺纹规格	Note: Other screw thread type
G(BSP), PF, PS, NPT可定做	G(BSP), PF, PS, NPT can be supplied as request

如需其他材料, 请垂询! Other material upon request.

O型圈默认预装! All O rings are pre-assembled as standard.

注: 主体密封圈可选用PTFE材质垫片 Note: The washer could be made by PTFE on request.



Thread øD1	mm	H mm	GL mm	mm	Beisit No.
1/4" NPT	3-6.5	19	13	14	N1407BR
1/4" NPT	2-5	19	13	14	N1405BR
3/8" NPT	4-8	21	15	17/19	N3808BR
3/8" NPT	2-6	21	15	17/19	N3806BR
1/2" NPT	6-12	23	13	22	N1212BR
1/2" NPT	5-9	23	13	22	N1209BR
1/2" NPT/E	10-14	24	13	24	N1214BR
1/2" NPT/E	7-12	24	13	24	N12712BR
3/4" NPT	13-18	25	13	30	N3418BR
3/4" NPT	9-16	25	13	30	N3416BR
1" NPT	18-25	31	15	40	N10025BR
1" NPT	13-20	31	15	40	N10020BR
1 1/4" NPT	18-25	31	17	44	N11425BR
1 1/4" NPT	13-20	31	17	44	N11420BR
1 1/2" NPT	22-32	37	20	50	N11232BR
1 1/2" NPT	20-26	37	20	50	N11226BR
2" NPT	37-44	38	21	64	N20044BR
2" NPT	29-35	38	21	64	N20035BR

专利产品 Patented product.





# G(PF)型金属电缆固定头

## G(PF) Type Metal Cable Glands



→ G(PF)

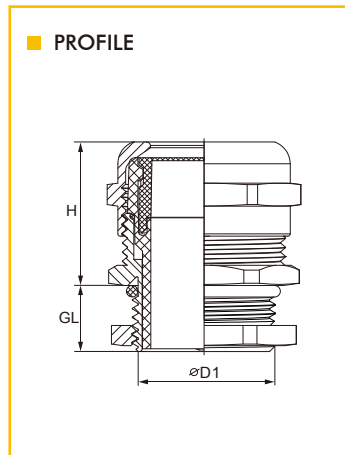


材料: 黄铜镀镍	Material: Nickel-plated brass
固定连接组件: 采用UL认可的尼龙材料	Fixture material: PA (NYLON), UL 94 V-2
防水圈: EPDM (可选丁腈橡胶, 硅橡胶, TPV等)	Seal: EPDM (optional material NBR, Silicone Rubber, TPV)
O型圈: EPDM (可选硅橡胶, TPV, 氟橡胶等)	O-Ring: EPDM (optional material, Silicone Rubber, TPV, FPM)
工作温度: -40°C至100°C	Working temperature: -40°C to 100°C
备注: 其他螺纹规格 G(BSP), PF, PS, NPT可定做	Note: Other screw thread type G(BSP), PF, PS, NPT can be supplied as request

如需其他材料, 请垂询! Other material upon request.

O型圈默认预装! All O rings are pre-assembled as standard.

注: 主体密封圈可选用PTFE材质垫片 Note: The washer could be made by PTFE on request.



Thread øD1	∅mm	H mm	GL mm	mm	Beisit No.
G(PF) 1/4"	3-6.5	19	8	14	G1407BR
G(PF) 1/4"	2-5	19	8	14	G1405BR
G(PF) 3/8"	4-8	21	9	17/19	G3808BR
G(PF) 3/8"	2-6	21	9	17/19	G3806BR
G(PF) 1/2"	6-12	23	9	22	G1212BR
G(PF) 1/2"	5-9	23	9	22	G1209BR
G(PF) 1/2"	10-14	24	9	24	G1214BR
G(PF) 3/4"	13-18	25	12	30	G3418BR
G(PF) 3/4"	9-16	25	12	30	G3416BR
G(PF) 1"	18-25	31	12	40	G10025BR
G(PF) 1"	13-20	31	12	40	G10020BR
G(PF) 1 1/4"	22-32	37	15	50	G11432BR
G(PF) 1 1/4"	20-26	37	15	50	G11426BR

专利产品 Patented product.



# M加强型金属电缆固定头

Metric Type Metal Cable Glands-Reinforced Type



→ M

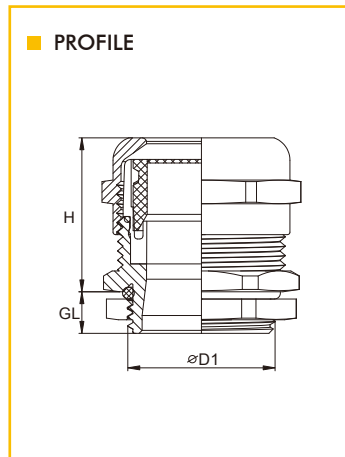


材料: 黄铜镀镍	Material: Nickel-plated brass
固定连接组件: 采用UL认可的尼龙材料	Fixture material: PA (NYLON), UL 94 V-2
防水圈: EPDM (可选丁腈橡胶, 硅橡胶, TPV等)	Seal: EPDM (optional material NBR, Silicone Rubber,TPV)
O型圈: EPDM (可选硅橡胶, TPV, 氟橡胶等)	O-Ring: EPDM (optional material, Silicone Rubber, TPV,FPM)
工作温度: -40°C至100°C	Working temperature: -40°C to 100°C

如需其他材料, 请垂询! Other material upon request.

O型圈默认预装! All O rings are pre-assembled as standard.

注: 主体密封圈可选用PTFE材质垫片 Note:The washer could be made by PTFE on request.



Thread øD1	mm	H mm	GL mm	mm	Beisit No.
M12 x 1.5	3-6.5	19	6.5	14	M1207BR-R
M12 x 1.5	2-5	19	6.5	14	M1205BR-R
M16 x 1.5	4-8	21	6	17/19	M1608BR-R
M16 x 1.5	2-6	21	6	17/19	M1606BR-R
M16 x 1.5	5-10	22	6	20	M1610BR-R
M20 x 1.5	6-12	23	6	22	M2012BR-R
M20 x 1.5	5-9	23	6	22	M2009BR-R
M20 x 1.5	10-14	24	6	24	M2014BR-R
M25 x 1.5	13-18	25	7	30	M2518BR-R
M25 x 1.5	9-16	25	7	30	M2516BR-R
M32 x 1.5	18-25	31	8	40	M3225BR-R
M32 x 1.5	13-20	31	8	40	M3220BR-R
M40 x 1.5	22-32	37	8	50	M4032BR-R
M40 x 1.5	20-26	37	8	50	M4026BR-R
M50 x 1.5	32-38	37	9	57	M5038BR-R
M50 x 1.5	25-31	37	9	57	M5031BR-R
M63 x 1.5	37-44	38	10	64/68	M6344BR-R
M63 x 1.5	29-35	38	10	64/68	M6335BR-R
★ 非常用型号 Non-Standard Model					
★ M18 x 1.5	5-10	22	6	20	M1810BR-R
★ M18 x 1.5	3-7	22	6	20	M1807BR-R
★ M22 x 1.5	10-14	24	6	24	M2214BR-R
★ M22 x 1.5	7-12	24	6	24	M2212BR-R
★ M24 x 1.5	13-18	25	7	30	M2418BR-R
★ M24 x 1.5	9-16	25	7	30	M2416BR-R
★ M27 x 1.5	13-18	25	7	30	M2718BR-R
★ M27 x 1.5	9-16	25	7	30	M2716BR-R



# M加强型加长金属电缆固定头

Metric-Length Type Metal Cable Glands-Reinforced Type



## → M-Length

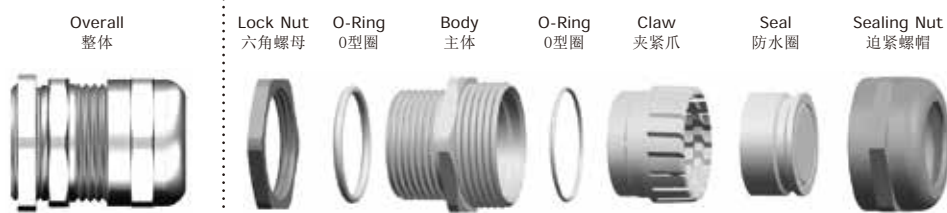
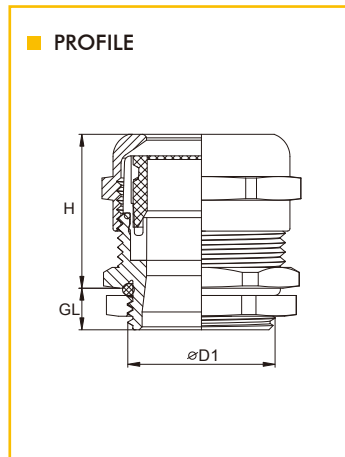


材料: 黄铜镀镍	Material: Nickel-plated brass
固定连接组件: 采用UL认可的尼龙材料	Fixture material: PA (NYLON), UL 94 V-2
防水圈: EPDM (可选丁腈橡胶, 硅橡胶, TPV等)	Seal: EPDM (optional material NBR, Silicone Rubber, TPV)
O型圈: EPDM (可选硅橡胶, TPV, 氟橡胶等)	O-Ring: EPDM (optional material, Silicone Rubber, TPV, FPM)
工作温度: -40°C至100°C	Working temperature: -40°C to 100°C

如需其他材料, 请垂询! Other material upon request.

O型圈默认预装! All O rings are pre-assembled as standard.

注: 主体密封圈可选用PTFE材质垫片 Note: The washer could be made by PTFE on request.



Thread ø D1	∅ mm	H mm	GL mm	 mm	Beisit No.
M12 x 1.5	3-6.5	19	10	14	M1207BRL-R
M12 x 1.5	2-5	19	10	14	M1205BRL-R
M16 x 1.5	4-8	21	10	17/19	M1608BRL-R
M16 x 1.5	2-6	21	10	17/19	M1606BRL-R
M16 x 1.5	5-10	22	10	20	M1610BRL-R
M20 x 1.5	6-12	23	10	22	M2012BRL-R
M20 x 1.5	5-9	23	10	22	M2009BRL-R
M20 x 1.5	10-14	24	10	24	M2014BRL-R
M25 x 1.5	13-18	25	12	30	M2518BRL-R
M25 x 1.5	9-16	25	12	30	M2516BRL-R
M32 x 1.5	18-25	31	12	40	M3225BRL-R
M32 x 1.5	13-20	31	12	40	M3220BRL-R
M40 x 1.5	22-32	37	15	50	M4032BRL-R
M40 x 1.5	20-26	37	15	50	M4026BRL-R
M50 x 1.5	32-38	37	15	57	M5038BRL-R
M50 x 1.5	25-31	37	15	57	M5031BRL-R
M63 x 1.5	37-44	38	15	64/68	M6344BRL-R
M63 x 1.5	29-35	38	15	64/68	M6335BRL-R
★ 非常用型号 Non-Standard Model					
★ M18 x 1.5	5-10	22	10	20	M1810BRL-R
★ M18 x 1.5	3-7	22	10	20	M1807BRL-R
★ M22 x 1.5	10-14	24	10	24	M2214BRL-R
★ M22 x 1.5	7-12	24	10	24	M2212BRL-R
★ M24 x 1.5	13-18	25	12	30	M2418BRL-R
★ M24 x 1.5	9-16	25	12	30	M2416BRL-R
★ M27 x 1.5	13-18	25	12	30	M2718BRL-R
★ M27 x 1.5	9-16	25	12	30	M2716BRL-R



# PG加强型金属电缆固定头

PG Type Metal Cable Glands-Reinforced Type



→ PG



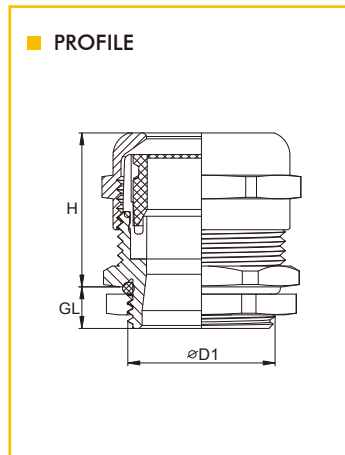
材料: 黄铜镀镍  
 固定连接组件: 采用UL认可的尼龙材料  
 防水圈: EPDM (可选丁腈橡胶, 硅橡胶, TPV等)  
 O型圈: EPDM (可选硅橡胶, TPV, 氟橡胶等)  
 工作温度: -40°C至100°C

Material: Nickel-plated brass  
 Fixture material: PA (NYLON), UL 94 V-2  
 Seal: EPDM (optional material NBR, Silicone Rubber,TPV)  
 O-Ring: EPDM (optional material, Silicone Rubber, TPV,FPM)  
 Working temperature: -40°C to 100°C

如需其他材料, 请垂询! Other material upon request.

O型圈默认预装! All O rings are pre-assembled as standard.

注: 主体密封圈可选用PTFE材质垫片 Note:The washer could be made by PTFE on request.



Thread øD1	Øk mm	H mm	GL mm	mm	Beisit No.
PG 7	3-6.5	19	6.5	14	P0707BR-R
PG 7	2-5	19	6.5	14	P0705BR-R
PG 9	4-8	21	6	17	P0908BR-R
PG 9	2-6	21	6	17	P0906BR-R
PG 11	5-10	22	6	20	P1110BR-R
PG 11	3-7	22	6	20	P1107BR-R
PG 13.5	6-12	23	6.5	22	P13512BR-R
PG 13.5	5-9	23	6.5	22	P13509BR-R
PG 16	10-14	24	6	24	P1614BR-R
PG 16	7-12	24	6	24	P1612BR-R
PG 21	13-18	25	7	30	P2118BR-R
PG 21	9-16	25	7	30	P2116BR-R
PG 29	18-25	31	8	40	P2925BR-R
PG 29	13-20	31	8	40	P2920BR-R
PG 36	22-32	37	8	50	P3632BR-R
PG 36	20-26	37	8	50	P3626BR-R
PG 42	32-38	37	9	57	P4238BR-R
PG 42	25-31	37	9	57	P4231BR-R
PG 48	37-44	38	10	64	P4844BR-R
PG 48	29-35	38	10	64	P4835BR-R



# PG加强型加长金属电缆固定头

PG-Length Type Metal Cable Glands-Reinforced Type



## → PG-Length



材料: 黄铜镀镍  
 固定连接组件: 采用UL认可的尼龙材料  
 防水圈: EPDM (可选丁腈橡胶, 硅橡胶, TPV等)  
 O型圈: EPDM (可选硅橡胶, TPV, 氟橡胶等)  
 工作温度: -40°C至100°C

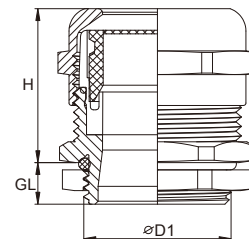
Material: Nickel-plated brass  
 Fixture material: PA (NYLON), UL 94 V-2  
 Seal: EPDM (optional material NBR, Silicone Rubber, TPV)  
 O-Ring: EPDM (optional material, Silicone Rubber, TPV, FPM)  
 Working temperature: -40°C to 100°C

如需其他材料, 请垂询! Other material upon request.

O型圈默认预装! All O rings are pre-assembled as standard.

注: 主体密封圈可选用PTFE材质垫片 Note: The washer could be made by PTFE on request.

### ■ PROFILE



Thread $\varnothing D1$	$\varnothing k$ mm	H mm	GL mm	$\varnothing$ mm	Beisit No.
PG 7	3-6.5	19	10	14	P0707BRL-R
PG 7	2-5	19	10	14	P0705BRL-R
PG 9	4-8	21	10	17	P0908BRL-R
PG 9	2-6	21	10	17	P0906BRL-R
PG 11	5-10	22	10	20	P1110BRL-R
PG 11	3-7	22	10	20	P1107BRL-R
PG 13.5	6-12	23	10	22	P13512BRL-R
PG 13.5	5-9	23	10	22	P13509BRL-R
PG 16	10-14	24	10	24	P1614BRL-R
PG 16	7-12	24	10	24	P1612BRL-R
PG 21	13-18	25	12	30	P2118BRL-R
PG 21	9-16	25	12	30	P2116BRL-R
PG 29	18-25	31	12	40	P2925BRL-R
PG 29	13-20	31	12	40	P2920BRL-R
PG 36	22-32	37	15	50	P3632BRL-R
PG 36	20-26	37	15	50	P3626BRL-R
PG 42	32-38	37	15	57	P4238BRL-R
PG 42	25-31	37	15	57	P4231BRL-R
PG 48	37-44	38	15	64	P4844BRL-R
PG 48	29-35	38	15	64	P4835BRL-R





# NPT加强型金属电缆固定头

NPT Type Metal Cable Glands-Reinforced Type

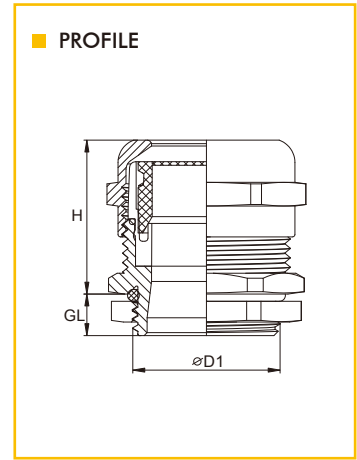


→ NPT

UL
RoHS
CE
IP68
RoHS
REACH

材料: 黄铜镀镍	Material: Nickel-plated brass
固定连接组件: 采用UL认可的尼龙材料	Fixture material: PA (NYLON), UL 94 V-2
防水圈: EPDM (可选丁腈橡胶, 硅橡胶, TPV等)	Seal: EPDM (optional material NBR, Silicone Rubber,TPV)
O型圈: EPDM (可选硅橡胶, TPV, 氟橡胶等)	O-Ring: EPDM (optional material, Silicone Rubber, TPV,FPM)
工作温度: -40°C至100°C	Working temperature: -40°C to 100°C

如需其他材料, 请垂询! Other material upon request.  
 O型圈默认预装! All O rings are pre-assembled as standard.  
 注: 主体密封圈可选用PTFE材质垫片 Note:The washer could be made by PTFE on request.



Thread $\varnothing D1$	$\varnothing$ mm	H mm	GL mm	 mm	Beisit No.
1/4"NPT	3-6.5	19	13	14	N1407BR-R
1/4"NPT	2-5	19	13	14	N1405BR-R
3/8"NPT	5-10	22	15	20	N3810BR-R
3/8"NPT	3-7	22	15	20	N3807BR-R
1/2"NPT/E	10-14	24	13	24	N1214BR-R
1/2"NPT/E	7-12	24	13	24	N12712BR-R
1/2"NPT	6-12	23	13	22	N1212BR-R
1/2"NPT	5-9	23	13	22	N1209BR-R
3/4"NPT	13-18	25	13	30	N3418BR-R
3/4"NPT	9-16	25	13	30	N3416BR-R
1"NPT	18-25	31	15	40	N10025BR-R
1"NPT	13-20	31	15	40	N10020BR-R
1 1/4"NPT	18-25	31	17	44	N11425BR-R
1 1/4"NPT	13-20	31	17	44	N11420BR-R
1 1/2"NPT	22-32	37	20	50	N11232BR-R
1 1/2"NPT	20-26	37	20	50	N11226BR-R
2"NPT	37-44	38	20	64	N20044BR-R
2"NPT	29-35	38	20	64	N20035BR-R



# G(PF)加强型金属电缆固定头

G(PF) Type Metal Cable Gland-Reinforced Type



→ G(PF)

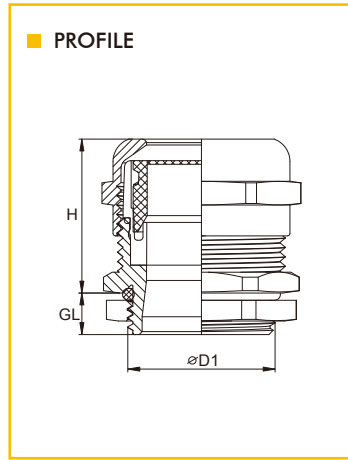


材料: 黄铜镀镍	Material: Nickel-plated brass
固定连接组件: 采用UL认可的尼龙材料	Fixture material: PA (NYLON), UL 94 V-2
防水圈: EPDM (可选丁腈橡胶, 硅橡胶, TPV等)	Seal: EPDM (optional material NBR, Silicone Rubber, TPV)
O型圈: EPDM (可选硅橡胶, TPV, 氟橡胶等)	O-Ring: EPDM (optional material, Silicone Rubber, TPV, FPM)
工作温度: -40°C至100°C	Working temperature: -40°C to 100°C

如需其他材料, 请垂询! Other material upon request.

O型圈默认预装! All O rings are pre-assembled as standard.

注: 主体密封圈可选用PTFE材质垫片 Note: The washer could be made by PTFE on request.



Thread øD1	mm	H mm	GL mm	mm	Beisit No.
G(PF)1/4"	3-6.5	19	8	14	G1407BR-R
G(PF)1/4"	2-5	19	8	14	G1405BR-R
G(PF)3/8"	5-10	22	9	20	G3810BR-R
G(PF)3/8"	3-7	22	9	20	G3807BR-R
G(PF)1/2"	10-14	24	9	24	G1214BR-R
G(PF)1/2"	7-12	24	9	24	G1212BR-R
G(PF)3/4"	13-18	25	12	30	G3418BR-R
G(PF)3/4"	9-16	25	12	30	G3416BR-R
G(PF)1"	18-25	31	12	40	G10025BR-R
G(PF)1"	13-20	31	12	40	G10020BR-R
G(PF)1 1/4"	22-32	37	15	50	G11432BR-R
G(PF)1 1/4"	20-26	37	15	50	G11426BR-R
G(PF)1 1/2"	32-38	37	15	57	G11238BR-R
G(PF)1 1/2"	25-31	37	15	57	G11231BR-R
G(PF)2"	37-44	38	15	64	G20044BR-R
G(PF)2"	29-35	38	15	64	G20035BR-R



# M加强型不锈钢电缆固定头

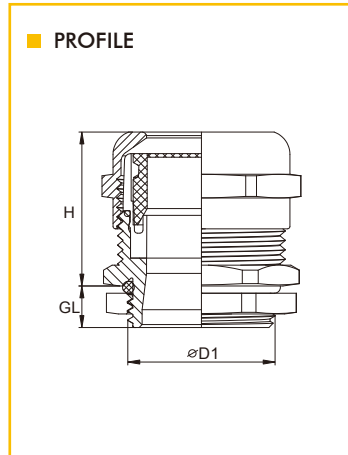
Metric Type Stainless Steel Cable Glands-Reinforced Type



→ M RoHS REACH

材料:	不锈钢(钝化)	Material:	Stainless Steel (Passivation)
固定连接组件:	采用UL认可的尼龙材料	Fixture material:	PA (NYLON), UL 94 V-2
防水圈:	EPDM(可选丁腈橡胶, 硅橡胶, TPV等)	Seal:	EPDM (optional material NBR, Silicone Rubber,TPV)
O型圈:	EPDM (可选硅橡胶, TPV, 氟橡胶等)	O-Ring:	EPDM (optional material, Silicone Rubber, TPV,FPM)
垫片:	PTFE	Gasket:	PTFE
工作温度:	-40°C至100°C	Working temperature:	-40°C to 100°C

如需其他材料, 请垂询! Other material upon request.  
O型圈、垫片默认预装! All O rings and gasket are pre-assembled as standard.



Thread øD1	mm	H mm	GL mm	mm	Beisit No.
M12 x 1.5	3-6.5	19	6.5	14	M1207SS-R
M12 x 1.5	2-5	19	6.5	14	M1205SS-R
M16 x 1.5	4-8	21	6	17/19	M1608SS-R
M16 x 1.5	2-6	21	6	17/19	M1606SS-R
M16 x 1.5	5-10	22	6	20	M1610SS-R
M20 x 1.5	6-12	23	6	22	M2012SS-R
M20 x 1.5	5-9	23	6	22	M2009SS-R
M20 x 1.5	10-14	24	6	24	M2014SS-R
M25 x 1.5	13-18	25	7	30	M2518SS-R
M25 x 1.5	9-16	25	7	30	M2516SS-R
M32 x 1.5	18-25	31	8	40	M3225SS-R
M32 x 1.5	13-20	31	8	40	M3220SS-R
M40 x 1.5	22-32	37	8	50	M4032SS-R
M40 x 1.5	20-26	37	8	50	M4026SS-R
M50 x 1.5	32-38	37	9	57	M5038SS-R
M50 x 1.5	25-31	37	9	57	M5031SS-R
M63 x 1.5	37-44	38	10	64/68	M6344SS-R
M63 x 1.5	29-35	38	10	64/68	M6335SS-R
★ 非常用型号 Non-Standard Model					
★ M18 x 1.5	5-10	22	6	20	M1810SS-R
★ M18 x 1.5	3-7	22	6	20	M1807SS-R
★ M22 x 1.5	10-14	24	6	24	M2214SS-R
★ M22 x 1.5	7-12	24	6	24	M2212SS-R
★ M24 x 1.5	13-18	25	7	30	M2418SS-R
★ M24 x 1.5	9-16	25	7	30	M2416SS-R
★ M27 x 1.5	13-18	25	7	30	M2718SS-R
★ M27 x 1.5	9-16	25	7	30	M2716SS-R



# M加强型加长不锈钢电缆固定头

Metric-Length Type Stainless Steel Cable Glands-Reinforced Type



## → M-Length

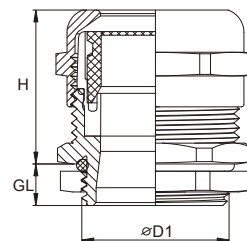
RoHS REACH

材料: 不锈钢(钝化)	Material: Stainless Steel (Passivation)
固定连接组件: 采用UL认可的尼龙材料	Fixture material: PA (NYLON), UL 94 V-2
防水圈: EPDM(可选丁腈橡胶, 硅橡胶, TPV等)	Seal: EPDM (optional material NBR, Silicone Rubber, TPV)
O型圈: EPDM(可选硅橡胶, TPV, 氟橡胶等)	O-Ring: EPDM (optional material, Silicone Rubber, TPV, FPM)
垫片: PTFE	Gasket: PTFE
工作温度: -40°C至100°C	Working temperature: -40°C to 100°C

如需其他材料, 请垂询! Other material upon request.

O型圈、垫片默认预装! All O rings and gasket are pre-assembled as standard.

### PROFILE



Thread $\varnothing D1$	$\varnothing$ mm	H mm	GL mm	 mm	Beisit No.
M12 x 1.5	3-6.5	19	10	14	M1207SSL-R
M12 x 1.5	2-5	19	10	14	M1205SSL-R
M16 x 1.5	4-8	21	10	17/19	M1608SSL-R
M16 x 1.5	2-6	21	10	17/19	M1606SSL-R
M16 x 1.5	5-10	22	10	20	M1610SSL-R
M20 x 1.5	6-12	23	10	22	M2012SSL-R
M20 x 1.5	5-9	23	10	22	M2009SSL-R
M20 x 1.5	10-14	24	10	24	M2014SSL-R
M25 x 1.5	13-18	25	12	30	M2518SSL-R
M25 x 1.5	9-16	25	12	30	M2516SSL-R
M32 x 1.5	18-25	31	12	40	M3225SSL-R
M32 x 1.5	13-20	31	12	40	M3220SSL-R
M40 x 1.5	22-32	37	15	50	M4032SSL-R
M40 x 1.5	20-26	37	15	50	M4026SSL-R
M50 x 1.5	32-38	37	15	57	M5038SSL-R
M50 x 1.5	25-31	37	15	57	M5031SSL-R
M63 x 1.5	37-44	38	15	64/68	M6344SSL-R
M63 x 1.5	29-35	38	15	64/68	M6335SSL-R
★ 非常规螺纹 Non-Standard Thread					
★ M18 x 1.5	5-10	22	10	20	M1810SSL-R
★ M18 x 1.5	3-7	22	10	20	M1807SSL-R
★ M22 x 1.5	10-14	24	10	24	M2214SSL-R
★ M22 x 1.5	7-12	24	10	24	M2212SSL-R
★ M24 x 1.5	13-18	25	12	30	M2418SSL-R
★ M24 x 1.5	9-16	25	12	30	M2416SSL-R
★ M27 x 1.5	13-18	25	12	30	M2718SSL-R
★ M27 x 1.5	9-16	25	12	30	M2716SSL-R



# PG加强型不锈钢电缆固定头

PG Type Stainless Steel Cable Glands-Reinforced Type



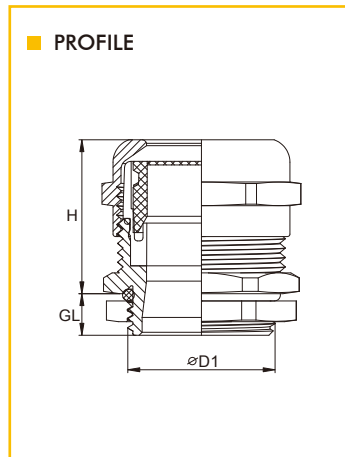
→ PG

RoHS REACH

材料: 不锈钢(钝化)	Material: Stainless Steel (Passivation)
固定连接组件: 采用UL认可的尼龙材料	Fixture material: PA (NYLON), UL 94 V-2
防水圈: EPDM(可选丁腈橡胶, 硅橡胶, TPV等)	Seal: EPDM (optional material NBR, Silicone Rubber, TPV)
O型圈: EPDM(可选硅橡胶, TPV, 氟橡胶等)	O-Ring: EPDM (optional material, Silicone Rubber, TPV, FPM)
垫片: PTFE	Gasket: PTFE
工作温度: -40°C至100°C	Working temperature: -40°C to 100°C

如需其他材料, 请垂询! Other material upon request.

O型圈、垫片默认预装! All O rings and gasket are pre-assembled as standard.



Thread øD1	⌀k mm	H mm	GL mm	⌀mm	Beisit No.
PG 7	3-6.5	19	6.5	14	P0707SS-R
PG 7	2-5	19	6.5	14	P0705SS-R
PG 9	4-8	21	6	17	P0908SS-R
PG 9	2-6	21	6	17	P0906SS-R
PG 11	5-10	22	6	20	P1110SS-R
PG 11	3-7	22	6	20	P1107SS-R
PG 13.5	6-12	23	6.5	22	P13512SS-R
PG 13.5	5-9	23	6.5	22	P13509SS-R
PG 16	10-14	24	6	24	P1614SS-R
PG 16	7-12	24	6	24	P1612SS-R
PG 21	13-18	25	7	30	P2118SS-R
PG 21	9-16	25	7	30	P2116SS-R
PG 29	18-25	31	8	40	P2925SS-R
PG 29	13-20	31	8	40	P2920SS-R
PG 36	22-32	37	8	50	P3632SS-R
PG 36	20-26	37	8	50	P3626SS-R
PG 42	32-38	37	9	57	P4238SS-R
PG 42	25-31	37	9	57	P4231SS-R
PG 48	37-44	38	10	64	P4844SS-R
PG 48	29-35	38	10	64	P4835SS-R





# PG加强型加长不锈钢电缆固定头

PG-Length Type Stainless Steel Cable Glands-Reinforced Type



## → PG-Length

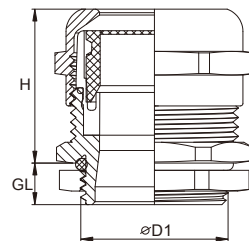
RoHS REACH

材料: 不锈钢 (钝化)	Material: Stainless Steel (Passivation)
固定连接组件: 采用UL认可的尼龙材料	Fixture material: PA (NYLON), UL 94 V-2
防水圈: EPDM (可选丁腈橡胶, 硅橡胶, TPV等)	Seal: EPDM (optional material NBR, Silicone Rubber, TPV)
O型圈: EPDM (可选硅橡胶, TPV, 氟橡胶等)	O-Ring: EPDM (optional material, Silicone Rubber, TPV, FPM)
垫片: PTFE	Gasket: PTFE
工作温度: -40°C至100°C	Working temperature: -40°C to 100°C

如需其他材料, 请垂询! Other material upon request.

O型圈、垫片默认预装! All O rings and gasket are pre-assembled as standard.

### PROFILE



Thread $\varnothing D1$	$\varnothing k$ mm	H mm	GL mm	 mm	Beisit No.
PG 7	3-6.5	19	10	14	P0707SSL-R
PG 7	2-5	19	10	14	P0705SSL-R
PG 9	4-8	21	10	17	P0908SSL-R
PG 9	2-6	21	10	17	P0906SSL-R
PG 11	5-10	22	10	20	P1110SSL-R
PG 11	3-7	22	10	20	P1107SSL-R
PG 13.5	6-12	23	10	22	P13512SSL-R
PG 13.5	5-9	23	10	22	P13509SSL-R
PG 16	10-14	24	10	24	P1614SSL-R
PG 16	7-12	24	10	24	P1612SSL-R
PG 21	13-18	25	12	30	P2118SSL-R
PG 21	9-16	25	12	30	P2116SSL-R
PG 29	18-25	31	12	40	P2925SSL-R
PG 29	13-20	31	12	40	P2920SSL-R
PG 36	22-32	37	15	50	P3632SSL-R
PG 36	20-26	37	15	50	P3626SSL-R
PG 42	32-38	37	15	57	P4238SSL-R
PG 42	25-31	37	15	57	P4231SSL-R
PG 48	37-44	38	15	64	P4844SSL-R
PG 48	29-35	38	15	64	P4835SSL-R



# NPT加强型不锈钢电缆固定头

NPT Type Stainless Steel Cable Glands-Reinforced Type



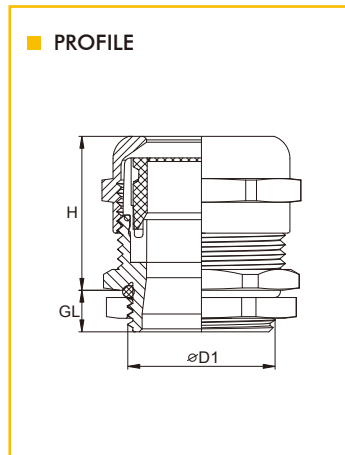
→ NPT

RoHS REACH

材料: 不锈钢 (钝化)	Material: Stainless Steel (Passivation)
固定连接组件: 采用UL认可的尼龙材料	Fixture material: PA (NYLON), UL 94 V-2
防水圈: EPDM (可选丁腈橡胶, 硅橡胶, TPV等)	Seal: EPDM (optional material NBR, Silicone Rubber,TPV)
O型圈: EPDM (可选硅橡胶, TPV, 氟橡胶等)	O-Ring: EPDM (optional material, Silicone Rubber, TPV,FPM)
垫片: PTFE	Gasket: PTFE
工作温度: -40°C至100°C	Working temperature: -40°C to 100°C

如需其他材料, 请垂询! Other material upon request.

O型圈、垫片默认预装! All O rings and gasket are pre-assembled as standard.



Thread øD1	∅K mm	H mm	GL mm	mm	Beisit No.
1/4"NPT	3-6.5	19	13	14	N1407SS-R
1/4"NPT	2-5	19	13	14	N1405SS-R
3/8"NPT	5-10	22	15	20	N3810SS-R
3/8"NPT	3-7	22	15	20	N3807SS-R
1/2"NPT/E	10-14	24	13	24	N1214SS-R
1/2"NPT/E	7-12	24	13	24	N12712SS-R
1/2"NPT	6-12	23	13	22	N1212SS-R
1/2"NPT	5-9	23	13	22	N1209SS-R
3/4"NPT	13-18	25	13	30	N3418SS-R
3/4"NPT	9-16	25	13	30	N3416SS-R
1"NPT	18-25	31	15	40	N10025SS-R
1"NPT	13-20	31	15	40	N10020SS-R
1 1/4"NPT	18-25	31	17	44	N11425SS-R
1 1/4"NPT	13-20	31	17	44	N11420SS-R
1 1/2"NPT	22-32	37	20	50	N11232SS-R
1 1/2"NPT	20-26	37	20	50	N11226SS-R
2"NPT	37-44	38	20	64	N20044SS-R
2"NPT	29-35	38	20	64	N20035SS-R



# G(PF)加强型不锈钢电缆固定头

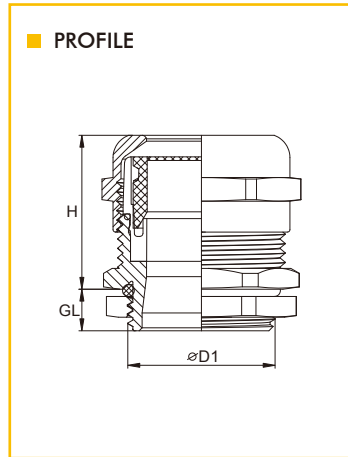
G(PF) Type Stainless Steel Cable Gland-Reinforced Type



→ G(PF) RoHS REACH

材料: 不锈钢 (钝化)	Material: Stainless Steel (Passivation)
固定连接组件: 采用UL认可的尼龙材料	Fixture material: PA (NYLON), UL 94 V-2
防水圈: EPDM (可选丁腈橡胶, 硅橡胶, TPV等)	Seal: EPDM (optional material NBR, Silicone Rubber, TPV)
O型圈: EPDM (可选硅橡胶, TPV, 氟橡胶等)	O-Ring: EPDM (optional material, Silicone Rubber, TPV, FPM)
垫片: PTFE	Gasket: PTFE
工作温度: -40°C至100°C	Working temperature: -40°C to 100°C

如需其他材料, 请垂询! Other material upon request.  
O型圈、垫片默认预装! All O rings and gasket are pre-assembled as standard.



Thread øD1	mm	H mm	GL mm	mm	Beisit No.
G(PF)1/4"	3-6.5	19	8	14	G1407SS-R
G(PF)1/4"	2-5	19	8	14	G1405SS-R
G(PF)3/8"	5-10	22	9	20	G3810SS-R
G(PF)3/8"	3-7	22	9	20	G3807SS-R
G(PF)1/2"	10-14	24	9	24	G1214SS-R
G(PF)1/2"	7-12	24	9	24	G1212SS-R
G(PF)3/4"	13-18	25	12	30	G3418SS-R
G(PF)3/4"	9-16	25	12	30	G3416SS-R
G(PF)1"	18-25	31	12	40	G10025SS-R
G(PF)1"	13-20	31	12	40	G10020SS-R
G(PF)1 1/4"	22-32	37	15	50	G11432SS-R
G(PF)1 1/4"	20-26	37	15	50	G11426SS-R
G(PF)1 1/2"	32-38	37	15	57	G11238SS-R
G(PF)1 1/2"	25-31	37	15	57	G11231SS-R
G(PF)2"	37-44	38	15	64	G20044SS-R
G(PF)2"	29-35	38	15	64	G20035SS-R



# M型多孔电缆固定头

Multiple-entry Nylon Cable Glands-Metric Type

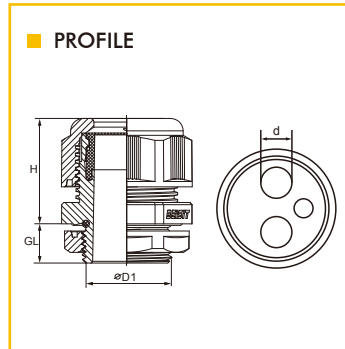


→ M



材料:	采用UL认可的尼龙材料	Material:	PA (NYLON), UL 94 V-2
防水圈:	EPDM (可选丁腈橡胶, 硅橡胶, TPV等)	Seal:	EPDM (optional material NBR, Silicone Rubber,TPV)
O型圈:	EPDM (可选硅橡胶, TPV, 氟橡胶等)	O-Ring:	EPDM (optional material, Silicone Rubber, TPV, FPM)
工作温度:	-40°C至100°C	Working temperature:	-40°C to 100°C
颜色种类:	灰色、黑色, 其他颜色可定做	Color:	Grey(RAL7035), Black(RAL9005), other colors customized.
孔数:	可根据要求定做	Number of holes:	Could be customized.
材料种类:	V0或F1可定做	Material options:	V0, or F1 can be offered upon request.

如需其他材料或者颜色, 请垂询! Other material or Colors upon request.  
O型圈默认预装! All O rings are pre-assembled as standard.



Thread ØD1	No. of Holes X d mm	Beisit No.
M12 x 1.5	2*2.5	M12-H2-2.5
	2*2.8	M12-H2-2.8
M16S x 1.5	2*3	M16S-H2-3
	3*3	M16S-H3-3
	4*2	M16S-H4-2
M16B x 1.5	2*4	M16B-H2-4
	1*1.8+4*2.8	M16B-H5-(1.8+4X2.8)
M18 x 1.5	2*4	M18-H2-4
	1*1.8+4*2.8	M18-H5-(1.8+4X2.8)
M20S x 1.5	1*5	M20S-H1-5
	1*8	M20S-H1-8
	2*3	M20S-H2-3
	2*5	M20S-H2-5
	3*4	M20S-H3-4
	4*4	M20S-H4-4
M20B x 1.5	6*2.5	M20S-H6-2.5
	6*3.2	M20S-H6-3.2
	1*7.5	M20B-H1-7.5
	1*9	M20B-H1-9
	1*10.5	M20B-H1-10.5
	2*6	M20B-H2-6
M22 x 1.5	2*6.7	M20B-H2-6.7
	1*5.3+1*7.8	M20B-H2-(5.3+7.8)
	1*7.5	M22-H1-7.5
	1*9	M22-H1-9
	1*10.5	M22-H1-10.5
	2*6	M22-H2-6
	2*6.7	M22-H2-6.7
	1*5.3+1*7.8	M22-H2-(5.3+7.8)

Thread ØD1	No. of Holes X d mm	Beisit No.
M24 x 1.5	1*7.5	M24-H1-7.5
	1*9	M24-H1-9
	1*10.5	M24-H1-10.5
	2*6	M24-H2-6
	2*6.7	M24-H2-6.7
	1*5.3+1*7.8	M24-H2-(5.3+7.8)
	1*7.5	M25S-H1-7.5
	1*9	M25S-H1-9
	1*10.5	M25S-H1-10.5
	2*6	M25S-H2-6
	2*6.7	M25S-H2-6.7
	1*5.3+1*7.8	M25S-H2-(5.3+7.8)
	1*6	M25-H1-6
M25 x 1.5	1*7.5	M25-H1-7.5
	1*10	M25-H1-10
	2*2.8	M25-H2-2.8
	2*4.4	M25-H2-4.4
	2*5.7	M25-H2-5.7
	2*6	M25-H2-6
	2*6.3	M25-H2-6.3
	2*8	M25-H2-8
	3*4.5	M25-H3-4.5
	3*6	M25-H3-6
	3*7	M25-H3-7
	1*5+1*8	M25-H2-(5+8)
	1*5+1*10	M25-H2-(5+10)
	4*5	M25-H4-5
4*6	M25-H4-6	
5*4	M25-H5-4	
5*5	M25-H5-5	
5*6	M25-H5-6	



# M型多孔电缆固定头

Multiple-entry Nylon Cable Glands-Metric Type



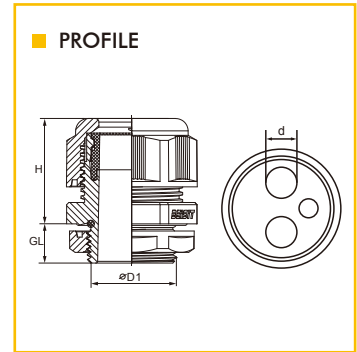
→ M



材料:	采用UL认可的尼龙材料	Material:	PA (NYLON), UL 94 V-2
防水圈:	EPDM (可选丁腈橡胶, 硅橡胶, TPV等)	Seal:	EPDM (optional material NBR, Silicone Rubber,TPV)
O型圈:	EPDM (可选硅橡胶, TPV, 氟橡胶等)	O-Ring:	EPDM (optional material, Silicone Rubber, TPV, FPM)
工作温度:	-40°C至100°C	Working temperature:	-40°C to 100°C
颜色种类:	灰色、黑色, 其他颜色可定做	Color:	Grey(RAL7035), Black(RAL9005), other colors customized.
孔数:	可根据要求定做	Number of holes:	Could be customized.
材料种类:	V0或F1可定做	Material options:	V0, or F1 can be offered upon request.

如需其他材料或者颜色, 请垂询! Other material or Colors upon request.

O型圈默认预装! All O rings are pre-assembled as standard.



Thread ØD1	No. of Holes X d mm	Beisit No.
M27 x 1.5	1*6	M27-H1-6
	1*7.5	M27-H1-7.5
	1*10	M27-H1-10
	2*2.8	M27-H2-2.8
	2*4.4	M27-H2-4.4
	2*5.7	M27-H2-5.7
	2*6	M27-H2-6
	2*6.3	M27-H2-6.3
	2*8	M27-H2-8
	3*4.5	M27-H3-4.5
	3*6	M27-H3-6
	3*7	M27-H3-7
	1*5+1*8	M27-H2-(5+8)
	1*5+1*10	M27-H2-(5+10)
	4*5	M27-H4-5
	4*6	M27-H4-6
	5*4	M27-H5-4
5*5	M27-H5-5	
5*6	M27-H5-6	
M30S x 1.5	1*6	M30S-H1-6
	1*7.5	M30S-H1-7.5
	1*10	M30S-H1-10
	2*2.8	M30S-H2-2.8
	2*4.4	M30S-H2-2.4
	2*5.7	M30S-H2-5.7
	2*6	M30S-H2-6
	2*6.3	M30S-H2-6.3
	2*8	M30S-H2-8
	3*4.5	M30S-H3-4.5
	3*6	M30S-H3-6
	3*7	M30S-H3-7
	1*5+1*8	M30S-H2-(5+8)
	1*5+1*10	M30S-H2-(5+10)
	4*5	M30S-H4-5
	4*6	M30S-H4-6
	5*4	M30S-H5-4
5*5	M30S-H5-5	
5*6	M30S-H5-6	
M32S x 1.5	1*6	M32S-H1-6
	1*7.5	M32S-H1-7.5
	1*10	M32S-H1-10
	2*2.8	M32S-H2-2.8
	2*4.4	M32S-H2-4.4
	2*5.7	M32S-H2-5.7
	2*6	M32S-H2-6
	2*6.3	M32S-H2-6.3
	2*8	M32S-H2-8
	3*4.5	M32S-H3-4.5
	3*6	M32S-H3-6
	3*7	M32S-H3-7
	1*5+1*8	M32S-H2-(5+8)
	1*5+1*10	M32S-H2-(5+10)
	4*5	M32S-H4-5
	4*6	M32S-H4-6
	5*4	M32S-H5-4
5*5	M32S-H5-5	
5*6	M32S-H5-6	

Thread ØD1	No. of Holes X d mm	Beisit No.
M30B x 1.5	1*5.5	M30B-H1-5.5
	2*4.5	M30B-H2-4.5
	2*6	M30B-H2-6
	3*5.8	M30B-H3-5.8
	3*8.9	M30B-H3-8.9
	3*10.7	M30B-H3-10.7
	1*6.7+2*10.2	M30B-H3-(6.7+2x10.2)
	1*7.6+2*11.7	M30B-H3-(7.6+2x11.7)
	4*7	M30B-H4-7
	4*8	M30B-H4-8
	2*5+2*8	M30B-H4-(2x5+2x8)
	5*5.4	M30B-H5-5.4
	5*6.5	M30B-H5-6.5
	1*9+4*6	M30B-H5-(9+4x6)
	6*6	M30B-H6-6
	7*6	M30B-H7-6
	1*3.4+6*6.8	M30B-H7-(3.4+6x6.8)
8*5	M30B-H8-5	
M32 x 1.5	1*5.5	M32-H1-5.5
	2*4.5	M32-H2-4.5
	2*6	M32-H2-6
	3*5.8	M32-H3-5.8
	3*8.9	M32-H3-8.9
	3*10.7	M32-H3-10.7
	1*6.7+2*10.2	M32-H3-(6.7+2x10.2)
	1*7.6+2*11.7	M32-H3-(7.6+2x11.7)
	4*7	M32-H4-7
	4*8	M32-H4-8
	2*5+2*8	M32-H4-(2x5+2x8)
	5*5.4	M32-H5-5.4
	5*6.5	M32-H5-6.5
	1*9+4*6	M32-H5-(9+4x6)
	6*6	M32-H6-6
	7*6	M32-H7-6
	1*3.4+6*6.8	M32-H7-(3.4+6x6.8)
8*5	M32-H8-5	
M40 x 1.5	3*9	M40-H3-9
	4*10	M40-H4-10
	4*11	M40-H4-11
M50 x 1.5	8*6	M40-H8-6
	9*8	M50-H9-8
	25*5	M50-H25-5
M63 x 1.5	3*6.5	M63-H3-6.5
M75 x 2.0	2*23	M75-H2-23



# PG型多孔电缆固定头

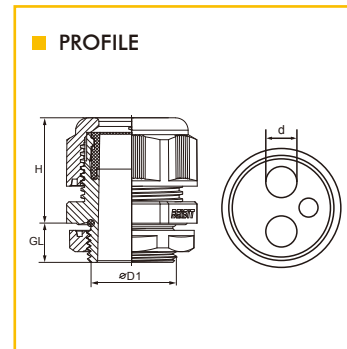
Multiple-entry Nylon Cable Glands-PG Type



→ PG



材料:	采用UL认可的尼龙材料	Material:	PA (NYLON), UL 94 V-2
防水圈:	EPDM (可选丁腈橡胶, 硅橡胶, TPV等)	Seal:	EPDM (optional material NBR, Silicone Rubber,TPV)
O型圈:	EPDM (可选硅橡胶, TPV, 氟橡胶等)	O-Ring:	EPDM (optional material, Silicone Rubber, TPV,FPM)
工作温度:	-40°C至100°C	Working temperature:	-40°C to100°C
颜色种类:	灰色、黑色, 其他颜色可定做	Color:	Grey(RAL7035), Black(RAL9005), other colors customized.
孔数:	可根据要求定做	Number of holes:	Could be customized.
材料种类:	V0或F1可定做	Material options:	V0, or F1 can be offered upon request.



如需其他材料或者颜色, 请垂询! Other material or Colors upon request.  
O型圈默认预装! All O rings are pre-assembled as standard.

Thread ØD1	No. of Holes X d mm	Beisit No.
PG 7	2*2.5	P07-H2-2.5
	2*2.8	P07-H2-2.8
PG 9	2*3	P09-H2-3
	3*3	P09-H3-3
	4*2	P09-H4-2
PG 11	2*4	P11-H2-4
	1*1.8+4*2.8	P11-H5-(1.8+4X2.8)
PG 13.5	1*5	P13.5-H1-5
	1*8	P13.5-H1-8
	2*3	P13.5-H2-3
	2*5	P13.5-H2-5
	3*4	P13.5-H3-4
	4*4	P13.5-H4-4
PG 16	6*2.5	P13.5-H6-2.5
	6*3.2	P13.5-H6-3.2
	1*7.5	P16-H1-7.5
	1*9	P16-H1-9
PG 21	1*10.5	P16-H1-10.5
	2*6	P16-H2-6
	2*6.7	P16-H2-6.7
	1*5.3+1*7.8	P16-H2-(5.3+7.8)
	1*6	P21-H1-6
PG 21	1*7.5	P21-H1-7.5
	1*10	P21-H1-10
	2*2.8	P21-H2-2.8
	2*4.4	P21-H2-4.4
	2*5.7	P21-H2-5.7
	2*6	P21-H2-6
	2*6.3	P21-H2-6.3
	2*8	P21-H2-8
	3*4.5	P21-H3-4.5
	3*6	P21-H3-6
3*7	P21-H3-7	

Thread ØD1	No. of Holes X d mm	Beisit No.
PG 21	1*5+1*8	P21-H2-(5+8)
	1*5+1*10	P21-H-(5+10)
	4*5	P21-H4-5
	4*6	P21-H4-6
	5*4	P21-H5-4
	5*5	P21-H5-5
PG 29	5*6	P21-H5-6
	1*5.5	P29-H1-5.5
	2*4.5	P29-H2-4.5
	2*6	P29-H2-6
	3*5.8	P29-H3-5.8
	3*8.9	P29-H3-8.9
	3*10.7	P29-H3-10.7
	1*6.7+2*10.2	P29-H3-(6.7+2x10.2)
	1*7.6+2*11.7	P29-H3-(7.6+2x11.7)
	4*7	P29-H4-7
	4*8	P29-H4-8
	2*5+2*8	P29-H4-(2x5+2x8)
PG 36	5*5.4	P29-H5-5.4
	5*6.5	P29-H5-6.5
	1*9+4*6	P29-H5-(9+4x6)
	6*6	P29-H6-6
	7*6	P29-H7-6
	1*3.4+6*6.8	P29-H7-(3.4+6x6.8)
	8*5	P29-H8-5
PG 42	3*9	P36-H3-9
	4*10	P36-H4-10
	8*6	P36-H8-6
PG 48	9*8	P42-H9-8
	25*5	P42-H25-5



# NPT型多孔电缆固定头

Multiple-entry Nylon Cable Glands-NPT Type



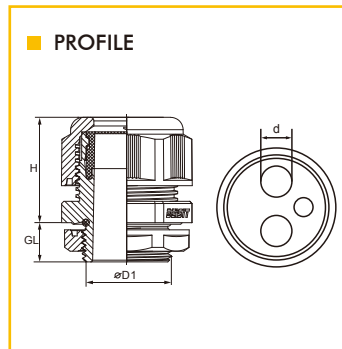
→ NPT



材料:	采用UL认可的尼龙材料	Material:	PA (NYLON), UL 94 V-2
防水圈:	EPDM (可选丁腈橡胶, 硅橡胶, TPV等)	Seal:	EPDM (optional material NBR, Silicone Rubber, TPV)
O型圈:	EPDM (可选硅橡胶, TPV, 氟橡胶等)	O-Ring:	EPDM (optional material, Silicone Rubber, TPV, FPM)
工作温度:	-40°C至100°C	Working temperature:	-40°C to 100°C
颜色种类:	灰色、黑色, 其他颜色可定做	Color:	Grey(RAL7035), Black(RAL9005), other colors customized.
孔数:	可根据要求定做	Number of holes :	Could be customized.
材料种类:	V0或F1可定做	Material options:	V0, or F1 can be offered upon request.

如需其他材料或者颜色, 请垂询! Other material or Colors upon request.

O型圈默认预装! All O rings are pre-assembled as standard.



Thread ØD1	No. of Holes X d mm	Beisit No.
1/4"NPT	2*2.5	N1/4"-H2-2.5
	2*2.8	N1/4"-H2-2.8
3/8"NPT	2*3	N3/8"-H2-3
	3*3	N3/8"-H3-3
	4*2	N3/8"-H4-2
1/2"NPT	1*5	N1/2"-H1-5
	1*8	N1/2"-H1-8
	2*3	N1/2"-H2-3
	2*5	N1/2"-H2-5
	3*4	N1/2"-H3-4
	4*4	N1/2"-H4-4
	6*2.5	N1/2"-H6-2.5
6*3.2	N1/2"-H6-3.2	
1/2"NPT/E	1*7.5	N1/2"E-H1-7.5
	1*9	N1/2"E-H1-9
	1*10.5	N1/2"E-H1-10.5
	2*6	N1/2"E-H2-6
	2*6.7	N1/2"E-H2-6.7
	1*5.3+1*7.8	N1/2"E-H2-(5.3+7.8)
3/4"NPT	1*6	N3/4"-H1-6
	1*7.5	N3/4"-H1-7.5
	1*10	N3/4"-H1-10
	2*2.8	N3/4"-H2-2.8
	2*4.4	N3/4"-H2-4.4
	2*5.7	N3/4"-H2-5.7
	2*6	N3/4"-H2-6
	2*6.3	N3/4"-H2-6.3
	2*8	N3/4"-H2-8
	3*4.5	N3/4"-H3-4.5
	3*6	N3/4"-H3-6
	3*7	N3/4"-H3-7
	1*5+1*8	N3/4"-H2-(5+8)
	1*5+1*10	N3/4"-H-(5+10)
1"NPT	4*5	N3/4"-H4-5
	4*6	N3/4"-H4-6
	5*4	N3/4"-H5-4
	5*5	N3/4"-H5-5
	5*6	N3/4"-H5-6

Thread ØD1	No. of Holes X d mm	Beisit No.
1"NPT	3*5.8	N1"-H3-5.8
	3*8.9	N1"-H3-8.9
	3*10.7	N1"-H3-10.7
	1*6.7+2*10.2	N1"-H3-(6.7+2x10.2)
	1*7.6+2*11.7	N1"-H3-(7.6+2x11.7)
	4*7	N1"-H4-7
	4*8	N1"-H4-8
	2*5+2*8	N1"-H4-(2x5+2x8)
	5*5.4	N1"-H5-5.4
	5*6.5	N1"-H5-6.5
	1*9+4*6	N1"-H5-(9+4x6)
	6*6	N1"-H6-6
	7*6	N1"-H7-6
1*3.4+6*6.8	N1"-H7-(3.4+6x6.8)	
8*5	N1"-H8-5	
1 1/4"NPT	1*5.5	N1 1/4"-H1-5.5
	2*4.5	N1 1/4"-H2-4.5
	2*6	N1 1/4"-H2-6
	3*5.8	N1 1/4"-H3-5.8
	3*8.9	N1 1/4"-H3-8.9
	3*10.7	N1 1/4"-H3-10.7
	1*6.7+2*10.2	N1 1/4"-H3-(6.7+2x10.2)
	1*7.6+2*11.7	N1 1/4"-H3-(7.6+2x11.7)
	4*7	N1 1/4"-H4-7
	4*8	N1 1/4"-H4-8
	2*5+2*8	N1 1/4"-H4-(2x5+2x8)
	5*5.4	N1 1/4"-H5-5.4
	5*6.5	N1 1/4"-H5-6.5
1*9+4*6	N1 1/4"-H5-(9+4x6)	
6*6	N1 1/4"-H6-6	
7*6	N1 1/4"-H7-6	
1*3.4+6*6.8	N1 1/4"-H7-(3.4+6x6.8)	
8*5	N1 1/4"-H8-5	
1 1/4"NPT	3*9	N1 1/4"-H3-9
	4*10	N1 1/4"-H4-10
	8*6	N1 1/4"-H8-6
1 1/2"NPT	9*8	N1 1/2"-H9-8
	25*5	N1 1/2"-H25-5
2"NPT	3*6.5	N2"-H3-6.5

# G(PF)型多孔电缆固定头

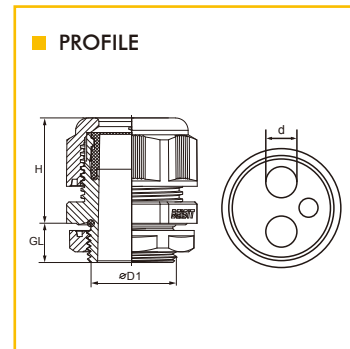
Multiple-entry Nylon Cable Glands-G(PF) Type



→ G(PF)



材料:	采用UL认可的尼龙材料	Material:	PA (NYLON), UL 94 V-2
防水圈:	EPDM (可选丁腈橡胶、硅橡胶、TPV等)	Seal:	EPDM (optional material NBR, Silicone Rubber,TPV)
O型圈:	EPDM (可选硅橡胶、TPV、氟橡胶等)	O-Ring:	EPDM (optional material, Silicone Rubber, TPV,FPM)
工作温度:	-40°C至100°C	Working temperature:	-40°C to100°C
颜色种类:	灰色、黑色、 其他颜色可定做	Color:	Grey(RAL7035), Black(RAL9005), other colors customized.
孔数:	可根据要求定做	Number of holes:	Could be customized.
材料种类:	V0或F1可定做	Material options:	V0, or F1 can be offered upon request.



如需其他材料或者颜色, 请垂询! Other material or Colors upon request.  
O型圈默认预装! All O rings are pre-assembled as standard.

Thread ØD1	No. of Holes X d mm	Beisit No.
G1/4"	2*2.5	G1/4"-H2-2.5
	2*2.8	G1/4"-H2-2.8
G3/8"	2*3	G3/8"-H2-3
	3*3	G3/8"-H3-3
	4*2	G3/8"-H4-2
G1/2"	1*5	G1/2"-H1-5
	1*8	G1/2"-H1-8
	2*3	G1/2"-H2-3
	2*5	G1/2"-H2-5
	3*4	G1/2"-H3-4
	4*4	G1/2"-H4-4
	6*2.5	G1/2"-H6-2.5
6*3.2	G1/2"-H6-3.2	
G1/2"B	1*7.5	G1/2"B-H1-7.5
	1*9	G1/2"B-H1-9
	1*10.5	G1/2"B-H1-10.5
	2*6	G1/2"B-H2-6
	2*6.7	G1/2"B-H2-6.7
G3/4"	1*5.3+1*7.8	G1/2"B-H2-(5.3+7.8)
	1*6	G3/4"-H1-6
	1*7.5	G3/4"-H1-7.5
	1*10	G3/4"-H1-10
	2*2.8	G3/4"-H2-2.8
	2*4.4	G3/4"-H2-4.4
	2*5.7	G3/4"-H2-5.7
	2*6	G3/4"-H2-6
	2*6.3	G3/4"-H2-6.3
	2*8	G3/4"-H2-8
	3*4.5	G3/4"-H3-4.5
	3*6	G3/4"-H3-6
	3*7	G3/4"-H3-7
	1*5+1*8	G3/4"-H2-(5+8)
	1*5+1*10	G3/4"-H-(5+10)

Thread ØD1	No. of Holes X d mm	Beisit No.
G3/4"	4*5	G3/4"-H4-5
	4*6	G3/4"-H4-6
	5*4	G3/4"-H5-4
	5*5	G3/4"-H5-5
	5*6	G3/4"-H5-6
G1"	1*5.5	G1"-H1-5.5
	2*4.5	G1"-H2-4.5
	2*6	G1"-H2-6
	3*5.8	G1"-H3-5.8
	3*8.9	G1"-H3-8.9
	3*10.7	G1"-H3-10.7
	1*6.7+2*10.2	G1"-H3-(6.7+2x10.2)
	1*7.6+2*11.7	G1"-H3-(7.6+2x11.7)
	4*7	G1"-H4-7
	4*8	G1"-H4-8
	2*5+2*8	G1"-H4-(2x5+2x8)
G1 1/4"	5*5.4	G1"-H5-5.4
	5*6.5	G1"-H5-6.5
	1*9+4*6	G1"-H5-(9+4x6)
	6*6	G1"-H6-6
	7*6	G1"-H7-6
	1*3.4+6*6.8	G1"-H7-(3.4+6x6.8)
	8*5	G1"-H8-5
	3*9	G1 1/4"-H3-9
	4*10	G1 1/4"-H4-10
	8*6	G1 1/4"-H8-6
G1 1/2"	9*8	G1 1/2"-H9-8
	25*5	G1 1/2"-H25-5
G2"	3*6.5	G2"-H3-6.5



# M型多孔金属电缆固定头

Multiple-entry Metal Cable Glands-Metric Type

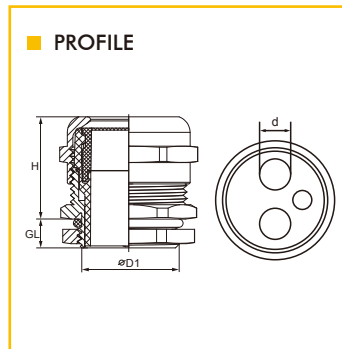


→ M



材料:	黄铜镀镍	Material:	Nickel-plated brass
固定连接组件:	采用UL认可的尼龙材料	Fixture material:	PA (NYLON), UL 94 V-2
防水圈:	EPDM (可选丁腈橡胶, 硅橡胶, TPV等)	Seal:	EPDM (optional material NBR, Silicone Rubber, TPV)
O型圈:	EPDM (可选硅橡胶, TPV, 氟橡胶等)	O-Ring:	EPDM (optional material, Silicone Rubber, TPV, FPM)
工作温度:	-40°C至100°C	Working temperature:	-40°C to 100°C
孔数:	可根据要求定做	Number of holes :	Could be customized.

如需其他材料, 请垂询! Other material upon request.  
 O型圈默认预装! All O rings are pre-assembled as standard.  
 注: 主体密封圈可选用PTFE材质垫片 Note:The washer could be made by PTFE on request.



Thread ØD1	No. of Holes X d mm	Beisit No.
M12 x 1.5	2*2.5	M12BR-H2-2.5
	2*2.8	M12BR-H2-2.8
M16S x 1.5	2*3	M16SBR-H2-3
	3*3	M16SBR-H3-3
	4*2	M16SBR-H4-2
M16B x 1.5	2*4	M16BBR-H2-4
	1*1.8+4*2.8	M16BBR-H5-(1.8+4X2.8)
M20S x 1.5	1*5	M20SBR-H1-5
	1*8	M20SBR-H1-8
	2*3	M20SBR-H2-3
	2*5	M20SBR-H2-5
	3*4	M20SBR-H3-4
	4*4	M20SBR-H4-4
	6*2.5	M20SBR-H6-2.5
	6*3.2	M20SBR-H6-3.2
M20B x 1.5	1*7.5	M20BBR-H1-7.5
	1*9	M20BBR-H1-9
	1*10.5	M20BBR-H1-10.5
	2*6	M20BBR-H2-6
	2*6.7	M20BBR-H2-6.7
	1*5.3+1*7.8	M20BBR-H2-(5.3+7.8)
M25 x 1.5	1*6	M25BR-H1-6
	1*7.5	M25BR-H1-7.5
	1*10	M25BR-H1-10
	2*2.8	M25BR-H2-2.8
	2*4.4	M25BR-H2-4.4
	2*5.7	M25BR-H2-5.7
	2*6	M25BR-H2-6
	2*6.3	M25BR-H2-6.3
	2*8	M25BR-H2-8
	3*4.5	M25BR-H3-4.5
	3*6	M25BR-H3-6
3*7	M25BR-H3-7	

Thread ØD1	No. of Holes X d mm	Beisit No.
M25 x 1.5	1*5+1*8	M25BR-H2-(5+8)
	1*5+1*10	M25BR-H2-(5+10)
	4*5	M25BR-H4-5
	4*6	M25BR-H4-6
	5*4	M25BR-H5-4
	5*5	M25BR-H5-5
M32 x 1.5	5*6	M25BR-H5-6
	1*5.5	M32BR-H1-5.5
	2*4.5	M32BR-H2-4.5
	2*6	M32BR-H2-6
	3*5.8	M32BR-H3-5.8
	3*8.9	M32BR-H3-8.9
	3*10.7	M32BR-H3-10.7
	1*6.7+2*10.2	M32BR-H3-(6.7+2x10.2)
	1*7.6+2*11.7	M32BR-H3-(7.6+2x11.7)
	4*7	M32BR-H4-7
	4*8	M32BR-H4-8
	2*5+2*8	M32BR-H4-(2x5+2x8)
	5*5.4	M32BR-H5-5.4
	5*6.5	M32BR-H5-6.5
	1*9+4*6	M32BR-H5-(9+4x6)
6*6	M32BR-H6-6	
7*6	M32BR-H7-6	
1*3.4+6*6.8	M32BR-H7-(3.4+6x6.8)	
8*5	M32BR-H8-5	
M40 x 1.5	9.1+3*11.2	M40BR-H4-(9.1+3x11.2)
	4*10	M40BR-H4-10
	3.4+2*6.8+2*14	M40BR-H5-(3.4+2x6.8+2x14)
	1*14+4*6.8	M40BR-H5-(14+4x6.8)
	8*6	M40BR-H8-6
M50 x 1.5	4*3.4+7*6.8	M40BR-H11-(4x3.4+7x6.8)
M50 x 1.5	9*8	M50BR-H9-8
	25*5	M50BR-H25-5



# PG型多孔金属电缆固定头

Multiple-entry Metal Cable Glands-PG Type

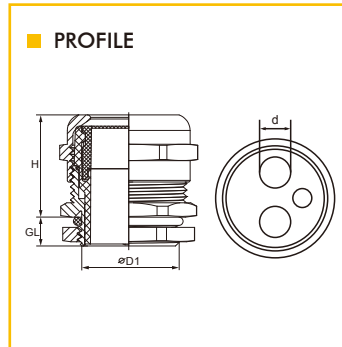


→ PG



材料:	黄铜镀镍	Material:	Nickel-plated brass
固定连接组件:	采用UL认可的尼龙材料	Fixture material:	PA (NYLON), UL 94 V-2
防水圈:	EPDM (可选丁腈橡胶, 硅橡胶, TPV等)	Seal:	EPDM (optional material NBR, Silicone Rubber, TPV)
O型圈:	EPDM (可选硅橡胶, TPV, 氟橡胶等)	O-Ring:	EPDM (optional material, Silicone Rubber, TPV, FPM)
工作温度:	-40°C至100°C	Working temperature:	-40°C to 100°C
孔数:	可根据要求定做	Number of holes :	Could be customized.

如需其他材料, 请垂询! Other material upon request.  
 O型圈默认预装! All O rings are pre-assembled as standard.  
 注: 主体密封圈可选用PTFE材质垫片 Note: The washer could be made by PTFE on request.



Thread ØD1	No. of Holes X d mm	Beisit No.
PG 7	2*2.5	P07BR-H2-2.5
	2*2.8	P07BR-H2-2.8
PG 9	2*3	P09BR-H2-3
	3*3	P09BR-H3-3
	4*2	P09BR-H4-2
PG 11	2*4	P11BR-H2-4
	1*1.8+4*2.8	P11BR-H5-(1.8+4X2.8)
PG 13.5	1*5	P13.5BR-H1-5
	1*8	P13.5BR-H1-8
	2*3	P13.5BR-H2-3
	2*5	P13.5BR-H2-5
	3*4	P13.5BR-H3-4
	4*4	P13.5BR-H4-4
	6*2.5	P13.5BR-H6-2.5
6*3.2	P13.5BR-H6-3.2	
PG 16	1*7.5	P16BR-H1-7.5
	1*9	P16BR-H1-9
	1*10.5	P16BR-H1-10.5
	2*6	P16BR-H2-6
	2*6.7	P16BR-H2-6.7
PG 21	1*5.3+1*7.8	P16BR-H2-(5.3+7.8)
PG 21	1*6	P21BR-H1-6
	1*7.5	P21BR-H1-7.5
	1*10	P21BR-H1-10
	2*2.8	P21BR-H2-2.8
	2*4.4	P21BR-H2-4.4
	2*5.7	P21BR-H2-5.7
	2*6	P21BR-H2-6
	2*6.3	P21BR-H2-6.3
	2*8	P21BR-H2-8
	3*4.5	P21BR-H3-4.5
	3*6	P21BR-H3-6
	3*7	P21BR-H3-7

Thread ØD1	No. of Holes X d mm	Beisit No.
PG 21	1*5+1*8	P21BR-H2-(5+8)
	1*5+1*10	P21BR-H2-(5+10)
	4*5	P21BR-H4-5
	4*6	P21BR-H4-6
	5*4	P21BR-H5-4
	5*5	P21BR-H5-5
PG 29	5*6	P21BR-H5-6
	1*5.5	P29BR-H1-5.5
	2*4.5	P29BR-H2-4.5
	2*6	P29BR-H2-6
	3*5.8	P29BR-H3-5.8
	3*8.9	P29BR-H3-8.9
	3*10.7	P29BR-H3-10.7
	1*6.7+2*10.2	P29BR-H3-(6.7+2x10.2)
	1*7.6+2*11.7	P29BR-H3-(7.6+2x11.7)
	4*7	P29BR-H4-7
	4*8	P29BR-H4-8
	2*5+2*8	P29BR-H4-(2x5+2x8)
	5*5.4	P29BR-H5-5.4
	5*6.5	P29BR-H5-6.5
	1*9+4*6	P29BR-H5-(9+4x6)
6*6	P29BR-H6-6	
7*6	P29BR-H7-6	
1*3.4+6*6.8	P29BR-H7-(3.4+6x6.8)	
8*5	P29BR-H8-5	
PG 36	9.1+3*11.2	P36BR-H4-(9.1+3x11.2)
	4*10	P36BR-H4-10
	3.4+2*6.8+2*14	P36BR-H5-(3.4+2x6.8+2x14)
	1*14+4*6.8	P36BR-H5-(14+4x6.8)
	8*6	P36BR-H8-6
PG 42	4*3.4+7*6.8	P36BR-H11-(4x3.4+7x6.8)
	9*8	P42BR-H9-8
	25*5	P42BR-H25-5





# NPT型多孔金属电缆固定头

Multiple-entry Metal Cable Glands-NPT Type



→ NPT

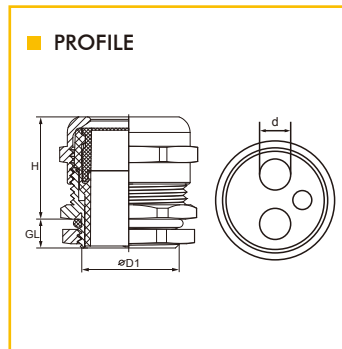


材料:	黄铜镀镍	Material:	Nickel-plated brass
固定连接组件:	采用UL认可的尼龙材料	Fixture material:	PA (NYLON), UL 94 V-2
防水圈:	EPDM (可选丁腈橡胶, 硅橡胶, TPV等)	Seal:	EPDM (optional material NBR, Silicone Rubber, TPV)
O型圈:	EPDM (可选硅橡胶, TPV, 氟橡胶等)	O-Ring:	EPDM (optional material, Silicone Rubber, TPV, FPM)
工作温度:	-40°C至100°C	Working temperature:	-40°C to 100°C
孔数:	可根据要求定做	Number of holes :	Could be customized.

如需其他材料, 请垂询! Other material upon request.

O型圈默认预装! All O rings are pre-assembled as standard.

注: 主体密封圈可选用PTFE材质垫片 Note: The washer could be made by PTFE on request.



Thread ØD1	No. of Holes X d mm	Beisit No.
1/4"NPT	2*2.5	N1/4"BR-H2-2.5
	2*2.8	N1/4"BR-H2-2.8
3/8"NPT	2*3	N3/8"BR-H2-3
	3*3	N3/8"BR-H3-3
	4*2	N3/8"BR-H4-2
1/2"NPT	1*5	N1/2"BR-H1-5
	1*8	N1/2"BR-H1-8
	2*3	N1/2"BR-H2-3
	2*5	N1/2"BR-H2-5
	3*4	N1/2"BR-H3-4
	4*4	N1/2"BR-H4-4
	6*2.5	N1/2"BR-H6-2.5
6*3.2	N1/2"BR-H6-3.2	
1/2"NPT/E	1*7.5	N1/2"EBR-H1-7.5
	1*9	N1/2"EBR-H1-9
	1*10.5	N1/2"EBR-H1-10.5
	2*6	N1/2"EBR-H2-6
	2*6.7	N1/2"EBR-H2-6.7
	1*5.3+1*7.8	N1/2"EBR-H2-(5.3+7.8)
3/4"NPT	1*6	N3/4"BR-H1-6
	1*7.5	N3/4"BR-H1-7.5
	1*10	N3/4"BR-H1-10
	2*2.8	N3/4"BR-H2-2.8
	2*4.4	N3/4"BR-H2-4.4
	2*5.7	N3/4"BR-H2-5.7
	2*6	N3/4"BR-H2-6
	2*6.3	N3/4"BR-H2-6.3
	2*8	N3/4"BR-H2-8
	3*4.5	N3/4"BR-H3-4.5
	3*6	N3/4"BR-H3-6
	3*7	N3/4"BR-H3-7
	1*5+1*8	N3/4"BR-H2-(5+8)
	1*5+1*10	N3/4"BR-H-(5+10)
1"NPT	4*5	N3/4"BR-H4-5
	4*6	N3/4"BR-H4-6
	5*4	N3/4"BR-H5-4
	5*5	N3/4"BR-H5-5
	5*6	N3/4"BR-H5-6
	5*6	N3/4"BR-H5-6

Thread ØD1	No. of Holes X d mm	Beisit No.
1"NPT	3*5.8	N1"BR-H3-5.8
	3*8.9	N1"BR-H3-8.9
	3*10.7	N1"BR-H3-10.7
	1*6.7+2*10.2	N1"BR-H3-(6.7+2x10.2)
	1*7.6+2*11.7	N1"BR-H3-(7.6+2x11.7)
	4*7	N1"BR-H4-7
	4*8	N1"BR-H4-8
	2*5+2*8	N1"BR-H4-(2x5+2x8)
	5*5.4	N1"BR-H5-5.4
	5*6.5	N1"BR-H5-6.5
	1*9+4*6	N1"BR-H5-(9+4x6)
1 1/4"NPT	6*6	N1"BR-H6-6
	7*6	N1"BR-H7-6
	1*3.4+6*6.8	N1"BR-H7-(3.4+6x6.8)
	8*5	N1"BR-H8-5
	1*5.5	N1 1/4"BR-H1-5.5
	2*4.5	N1 1/4"BR-H2-4.5
	2*6	N1 1/4"BR-H2-6
	3*5.8	N1 1/4"BR-H3-5.8
	3*8.9	N1 1/4"BR-H3-8.9
	3*10.7	N1 1/4"BR-H3-10.7
	1*6.7+2*10.2	N1 1/4"BR-H3-(6.7+2x10.2)
	1*7.6+2*11.7	N1 1/4"BR-H3-(7.6+2x11.7)
	4*7	N1 1/4"BR-H4-7
	4*8	N1 1/4"BR-H4-8
2*5+2*8	N1 1/4"BR-H4-(2x5+2x8)	
5*5.4	N1 1/4"BR-H5-5.4	
5*6.5	N1 1/4"BR-H5-6.5	
1*9+4*6	N1 1/4"BR-H5-(9+4x6)	
6*6	N1 1/4"BR-H6-6	
7*6	N1 1/4"BR-H7-6	
1*3.4+6*6.8	N1 1/4"BR-H7-(3.4+6x6.8)	
8*5	N1 1/4"BR-H8-5	
1 1/2"NPT	9.1+3*11.2	N1 1/2"BR-H4-(9.1+3x11.2)
	4*10	N1 1/2"BR-H4-10
	3.4+2*6.8+2*14	N1 1/2"BR-H5-(3.4+2x6.8+2x14)
	1*14+4*6.8	N1 1/2"BR-H5-(14+4x6.8)
	8*6	N1 1/2"BR-H8-6
1 1/2"NPT	4*3.4+7*6.8	N1 1/2"BR-H11-(4x3.4+7x6.8)
	9*8	N1 1/2BR-H9-8
25*5	N1 1/2BR-H25-5	

# G(PF)型多孔金属电缆固定头

## Multiple-entry Metal Cable Glands-G(PF) Type

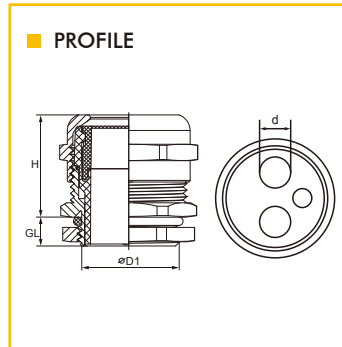


→ G(PF)



材料:	黄铜镀镍	Material:	Nickel-plated brass
固定连接组件:	采用UL认可的尼龙材料	Fixture material:	PA (NYLON), UL 94 V-2
防水圈:	EPDM (可选丁腈橡胶·硅橡胶, TPV等)	Seal:	EPDM (optional material NBR, Silicone Rubber, TPV)
O型圈:	EPDM (可选硅橡胶, TPV, 氟橡胶等)	O-Ring:	EPDM (optional material, Silicone Rubber, TPV, FPM)
工作温度:	-40°C至100°C	Working temperature:	-40°C to 100°C
孔数:	可根据要求定做	Number of holes :	Could be customized.

如需其他材料, 请垂询! Other material upon request.  
 O型圈默认预装! All O rings are pre-assembled as standard.  
 注: 主体密封圈可选用PTFE材质垫片 Note: The washer could be made by PTFE on request.



Thread ØD1	No. of Holes X d mm	Beisif No.
G1/4"	2*2.5	G1/4"BR-H2-2.5
	2*2.8	G1/4"BR-H2-2.8
G3/8"	2*3	G3/8"BR-H2-3
	3*3	G3/8"BR-H3-3
	4*2	G3/8"BR-H4-2
G1/2"	1*5	G1/2"BR-H1-5
	1*8	G1/2"BR-H1-8
	2*3	G1/2"BR-H2-3
	2*5	G1/2"BR-H2-5
	3*4	G1/2"BR-H3-4
	4*4	G1/2"BR-H4-4
	6*2.5	G1/2"BR-H6-2.5
6*3.2	G1/2"BR-H6-3.2	
G1/2"B	1*7.5	G1/2"BBR-H1-7.5
	1*9	G1/2"BBR-H1-9
	1*10.5	G1/2"BBR-H1-10.5
	2*6	G1/2"BBR-H2-6
	2*6.7	G1/2"BBR-H2-6.7
	1*5.3+1*7.8	G1/2"BBR-H2-(5.3+7.8)
G3/4"	1*6	G3/4"BR-H1-6
	1*7.5	G3/4"BR-H1-7.5
	1*10	G3/4"BR-H1-10
	2*2.8	G3/4"BR-H2-2.8
	2*4.4	G3/4"BR-H2-4.4
	2*5.7	G3/4"BR-H2-5.7
	2*6	G3/4"BR-H2-6
	2*6.3	G3/4"BR-H2-6.3
	2*8	G3/4"BR-H2-8
	3*4.5	G3/4"BR-H3-4.5
	3*6	G3/4"BR-H3-6
	3*7	G3/4"BR-H3-7
	1*5+1*8	G3/4"BR-H2-(5+8)
1*5+1*10	G3/4"BR-H2-(5+10)	

Thread ØD1	No. of Holes X d mm	Beisif No.
G3/4"	4*5	G3/4"BR-H4-5
	4*6	G3/4"BR-H4-6
	5*4	G3/4"BR-H5-4
	5*5	G3/4"BR-H5-5
	5*6	G3/4"BR-H5-6
G1"	1*5.5	G1"BR-H1-5.5
	2*4.5	G1"BR-H2-4.5
	2*6	G1"BR-H2-6
	3*5.8	G1"BR-H3-5.8
	3*8.9	G1"BR-H3-8.9
	3*10.7	G1"BR-H3-10.7
	1*6.7+2*10.2	G1"BR-H3-(6.7+2x10.2)
	1*7.6+2*11.7	G1"BR-H3-(7.6+2x11.7)
	4*7	G1"BR-H4-7
	4*8	G1"BR-H4-8
	2*5+2*8	G1"BR-H4-(2x5+2x8)
5*5.4	G1"BR-H5-5.4	
5*6.5	G1"BR-H5-6.5	
1*9+4*6	G1"BR-H5-(9+4x6)	
6*6	G1"BR-H6-6	
7*6	G1"BR-H7-6	
1*3.4+6*6.8	G1"BR-H7-(3.4+6x6.8)	
8*5	G1"BR-H8-5	
G1 1/4"	9.1+3*11.2	G1 1/4"BR-H4-(9.1+3x11.2)
	4*10	G1 1/4"BR-H4-10
	3.4+2*6.8+2*14	G1 1/4"BR-H5-(3.4+2x6.8+2x14)
	1*14+4*6.8	G1 1/4"BR-H5-(14+4x6.8)
	8*6	G1 1/4"BR-H8-6
4*3.4+7*6.8	G1 1/4"BR-H11-(4x3.4+7x6.8)	
G1 1/2"	9*8	G1 1/2BR-H9-8
	25*5	G1 1/2BR-H25-5



# 扁孔电缆固定头

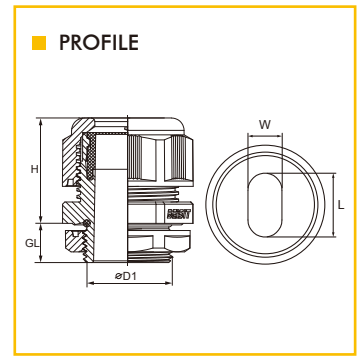
Nylon Cable Glands for Flat Cable and ASI-Bus Cable



→ M/PG/NPT/G(PF)



材料: 采用UL认可的尼龙材料	Material: PA (NYLON), UL 94 V-2
防水圈: EPDM (可选丁腈橡胶, 硅橡胶, TPV等)	Seal: EPDM (optional material NBR, Silicone Rubber, TPV)
O型圈: EPDM (可选硅橡胶, TPV, 氟橡胶等)	O-Ring: EPDM (optional material, Silicone Rubber, TPV, FPM)
工作温度: -40°C至100°C	Working temperature: -40°C to 100°C
颜色种类: 灰色、黑色, 其他颜色可定做	Color: Grey(RAL7035), Black(RAL9005), other colors customized.
孔数: 可根据要求定做	Number of holes: Could be customized.
材料种类: V0或F1可定做	Material options: V0, or F1 can be offered upon request.



如需其他材料或者颜色, 请垂询! Other material or Colors upon request.  
O型圈默认预装! All O rings are pre-assembled as standard.

Thread ØD1	No. of Holes x d mm	Beisit No.
M20B x 1.5	6.6*14	M20B-H1-(6.6*14)
	6*12.6	M20B-H1-(6*12.6)
	4*12-方	M20B-H1-(4*12)
M22 x 1.5	6.6*14	M22-H1-(6.6*14)
	6*12.6	M22-H1-(6*12.6)
	4*12-方	M22-H1-(4*12)
M24 x 1.5	6.6*14	M24-H1-(6.6*14)
	6*12.6	M24-H1-(6*12.6)
	4*12-方	M24-H1-(4*12)
M25 x 1.5	5.0*8.6	M25-H2-(5.0*8.6)
	6.2*11.5	M25-H2-(6.2*11.5)
	8.0*15.0	M25-H1-(8.0*15.0)
	9.6*18.2	M25-H1-(9.6*18.2)
	7.2*13.0	M25-H1-(7.2*13.0)
	6*14	M25-H1-(6*14)
M25S x 1.5	1*8.5+7*10	M25-H2-(1*8.5+7*10)
	6.6*14	M25S-H1-(6.6*14)
	6*12.6	M25S-H1-(6*12.6)
M30S x 1.5	4*12-方	M25S-H1-(4*12)
	5.0*8.6	M30S-H2-(5.0*8.6)
	6.2*11.5	M30S-H2-(6.2*11.5)
M30B x 1.5	8.0*15.0	M30S-H1-(8.0*15.0)
	9.6*18.2	M30S-H1-(9.6*18.2)
	7.2*13.0	M30S-H1-(7.2*13.0)
	6*14	M30S-H1-(6*14)
	1*8.5+7*10	M30S-H2-(1*8.5+7*10)
	11.0*22.5	M30B-H1-(11.0*22.5)
M32 x 1.5	11.0*22.5	M32-H1-(11.0*22.5)
PG 16	6.6*14	P16-H1-(6.6*14)
	6*12.6	P16-H1-(6*12.6)
	4*12-方	P16-H1-(4*12)

Thread ØD1	No. of Holes x d mm	Beisit No.
PG 21	5.0*8.6	P21-H2-(5.0*8.6)
	6.2*11.5	P21-H2-(6.2*11.5)
	8.0*15.0	P21-H1-(8.0*15.0)
	9.6*18.2	P21-H1-(9.6*18.2)
	7.2*13.0	P21-H1-(7.2*13.0)
	6*14	P21-H1-(6*14)
PG 29	1*8.5+7*10	P21-H2-(1*8.5+7*10)
	11.0*22.5	P29-H1-(11.0*22.5)
	1/2"NPT/E	N1/2"/E-H1-(6.6*14)
3/4"NPT	6*12.6	N1/2"/E-H1-(6*12.6)
	4*12-方	N1/2"/E-H1-(4*12)
	5.0*8.6	N3/4"-H2-(5.0*8.6)
1"NPT	6.2*11.5	N3/4"-H2-(6.2*11.5)
	8.0*15.0	N3/4"-H1-(8.0*15.0)
	9.6*18.2	N3/4"-H1-(9.6*18.2)
	7.2*13.0	N3/4"-H1-(7.2*13.0)
	6*14	N3/4"-H1-(6*14)
	1*8.5+7*10	N3/4"-H2-(1*8.5+7*10)
1 1/4"NPT	11.0*22.5	N1"-H1-(11.0*22.5)
G1/2"B	11.0*22.5	N1 1/4"-H1-(11.0*22.5)
	6.6*14	G1/2"B-H1-(6.6*14)
	6*12.6	G1/2"B-H1-(6*12.6)
G3/4"	4*12-方	G1/2"B-H1-(4*12)
	5.0*8.6	G3/4"-H2-(5.0*8.6)
	6.2*11.5	G3/4"-H2-(6.2*11.5)
	8.0*15.0	G3/4"-H1-(8.0*15.0)
	9.6*18.2	G3/4"-H1-(9.6*18.2)
	7.2*13.0	G3/4"-H1-(7.2*13.0)
G1"	6*14	G3/4"-H1-(6*14)
	1*8.5+7*10	G3/4"-H2-(1*8.5+7*10)
	11.0*22.5	G1"-H1-(11.0*22.5)



# 扁孔金属电缆固定头

Metric Type Metal Cable Glands for Flat Cable and ASI-Bus Cable



→ M/PG/NPT/G(PF)

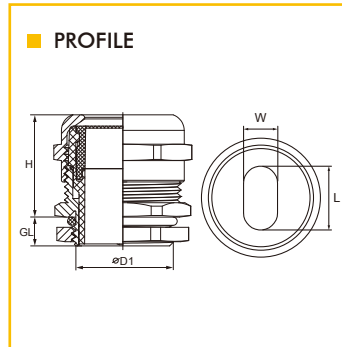


材料:	黄铜镀镍	Material:	Nickel-plated brass
固定连接组件:	采用UL认可的尼龙材料	Fixture material:	PA (NYLON), UL 94 V-2
防水圈:	EPDM (可选丁腈橡胶, 硅橡胶, TPV等)	Seal:	EPDM (optional material NBR, Silicone Rubber, TPV)
O型圈:	EPDM (可选硅橡胶, TPV, 氟橡胶等)	O-Ring:	EPDM (optional material, Silicone Rubber, TPV, FPM)
工作温度:	-40°C至100°C	Working temperature:	-40°C to 100°C
孔数:	可根据要求定做	Number of holes :	Could be customized.

如需其他材料, 请垂询! Other material upon request.

O型圈默认预装! All O rings are pre-assembled as standard.

注: 主体密封圈可选用PTFE材质垫片 Note: The washer could be made by PTFE on request.



Thread ØD1	No. of Holes x d mm	Beisit No.
M20B x 1.5	6.6*14	M20BBR-H1-(6.6*14)
	6*12.6	M20BBR-H1-(6*12.6)
	4*12-方	M20BBR-H1-(4*12)
M25 x 1.5	5.0*8.6	M25BR-H2-(5.0*8.6)
	6.2*11.5	M25BR-H2-(6.2*11.5)
	8.0*15.0	M25BR-H1-(8.0*15.0)
	9.6*18.2	M25BR-H1-(9.6*18.2)
	7.2*13.0	M25BR-H1-(7.2*13.0)
	6*14	M25BR-H1-(6*14)
	1*8.5+7*10	M25BR-H2-(1*8.5+7*10)
M32 x 1.5	11.0*22.5	M32BR-H1-(11.0*22.5)
PG 16	6.6*14	P16BR-H1-(6.6*14)
	6*12.6	P16BR-H1-(6*12.6)
	4*12-方	P16BR-H1-(4*12)
PG 21	5.0*8.6	P21BR-H2-(5.0*8.6)
	6.2*11.5	P21BR-H2-(6.2*11.5)
	8.0*15.0	P21BR-H1-(8.0*15.0)
	9.6*18.2	P21BR-H1-(9.6*18.2)
	7.2*13.0	P21BR-H1-(7.2*13.0)
	6*14	P21BR-H1-(6*14)
	1*8.5+7*10	P21BR-H2-(1*8.5+7*10)
PG 29	11.0*22.5	P29BR-H1-(11.0*22.5)

Thread ØD1	No. of Holes x d mm	Beisit No.
1/2"NPT/E	6.6*14	N1/2"/EBR-H1-(6.6*14)
	6*12.6	N1/2"/EBR-H1-(6*12.6)
	4*12-方	N1/2"/EBR-H1-(4*12)
3/4"NPT	5.0*8.6	N3/4"BR-H2-(5.0*8.6)
	6.2*11.5	N3/4"BR-H2-(6.2*11.5)
	8.0*15.0	N3/4"BR-H1-(8.0*15.0)
	9.6*18.2	N3/4"BR-H1-(9.6*18.2)
	7.2*13.0	N3/4"BR-H1-(7.2*13.0)
	6*14	N3/4"BR-H1-(6*14)
	1*8.5+7*10	N3/4"BR-H2-(1*8.5+7*10)
1"NPT	11.0*22.5	N1"BR-H1-(11.0*22.5)
1 1/4"NPT	11.0*22.5	N1 1/4"BR-H1-(11.0*22.5)
G1/2"B	6.6*14	G1/2"BBR-H1-(6.6*14)
	6*12.6	G1/2"BBR-H1-(6*12.6)
	4*12-方	G1/2"BBR-H1-(4*12)
G3/4"	5.0*8.6	G3/4"BR-H2-(5.0*8.6)
	6.2*11.5	G3/4"BR-H2-(6.2*11.5)
	8.0*15.0	G3/4"BR-H1-(8.0*15.0)
	9.6*18.2	G3/4"BR-H1-(9.6*18.2)
	7.2*13.0	G3/4"BR-H1-(7.2*13.0)
	6*14	G3/4"BR-H1-(6*14)
	1*8.5+7*10	G3/4"BR-H2-(1*8.5+7*10)
G1"	11.0*22.5	G1"BR-H1-(11.0*22.5)



# M型屏蔽金属电缆固定头 S型

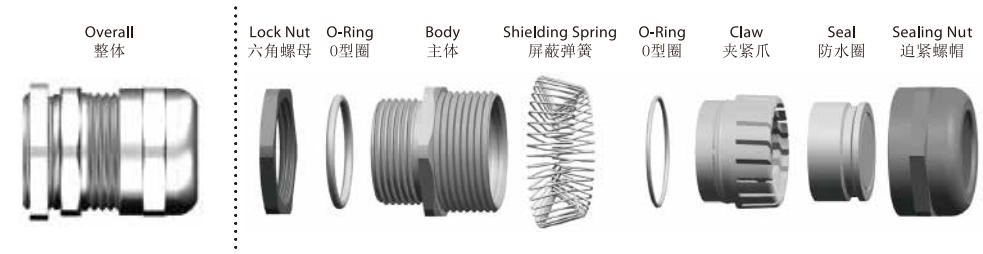
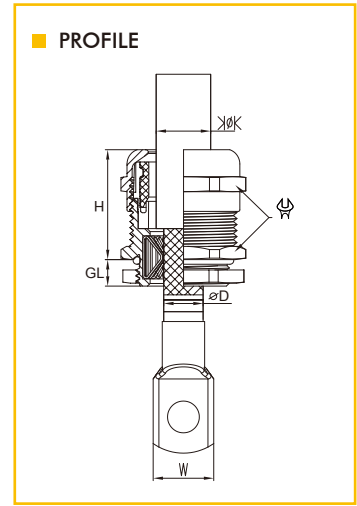
Metric Type EMC Metal Cable Glands-Spring Type



→ M

材料: 黄铜镀镍	Material: Nickel-plated brass
弹簧材料: 不锈钢	Spring: Stainless steel
固定连接组件: 采用UL认可的尼龙材料	Fixture material: PA (NYLON), UL 94 V-2
防水圈: 硅橡胶	Seal: Silicone Rubber
O型圈: 硅橡胶	O-Ring: Silicone Rubber
工作温度: -40°C至100°C	Working temperature: -40°C to 100°C

注: 主体密封圈可选用PTFE材质垫片 Note: The washer could be made by PTFE on request.



Thread ØD1	Øk mm	ØD mm	H mm	GL mm	W mm	Beisit No.
M12 x 1.5	3-6.5	3.5-4.5	19	6.5	14	M1207BR-EMC-S
M12 x 1.5	2-5	3.5-4.5	19	6.5	14	M1205BR-EMC-S
M16 x 1.5	4-8	3.5-8	21	6	17/19	M1608BR-EMC-S
M16 x 1.5	2-6	3.5-8	21	6	17/19	M1606BR-EMC-S
M16 x 1.5	5-10	3.5-8	22	6	20	M1610BR-EMC-S
M20 x 1.5	6-12	6-11	23	6	22	M2012BR-EMC-S
M20 x 1.5	5-9	6-11	23	6	22	M2009BR-EMC-S
M20 x 1.5	10-14	6-11	24	6	24	M2014BR-EMC-S
M25 x 1.5	13-18	9-14	29	7	30	M2518BR-EMC-S
M25 x 1.5	9-16	9-14	29	7	30	M2516BR-EMC-S
M32 x 1.5	18-25	16-19	31	8	40	M3225BR-EMC-S
M32 x 1.5	13-20	16-19	31	8	40	M3220BR-EMC-S
M40 x 1.5	22-32	19.5-24	37	8	50	M4032BR-EMC-S
M40 x 1.5	20-26	19.5-24	37	8	50	M4026BR-EMC-S
M50 x 1.5	32-38	27.5-33	37	9	57	M5038BR-EMC-S
M50 x 1.5	25-31	27.5-33	37	9	57	M5031BR-EMC-S
M63 x 1.5	37-44	31-35	38	10	64/68	M6344BR-EMC-S
M63 x 1.5	29-35	31-35	38	10	64/68	M6335BR-EMC-S
M75 x 1.5	48-56	46-53	40	15	81	M7556BR-EMC-S
M75 x 1.5	41-48	46-53	40	15	81	M7548BR-EMC-S
M85 x 2.0	62-70	60-67	42	15	95	M8570BR-EMC-S
M85 x 2.0	54-64	60-67	42	15	95	M8564BR-EMC-S

专利产品仿冒必究 Patented product.  
可为客户特殊定制 Special Customization is available.





# PG型屏蔽金属电缆固定头 S型

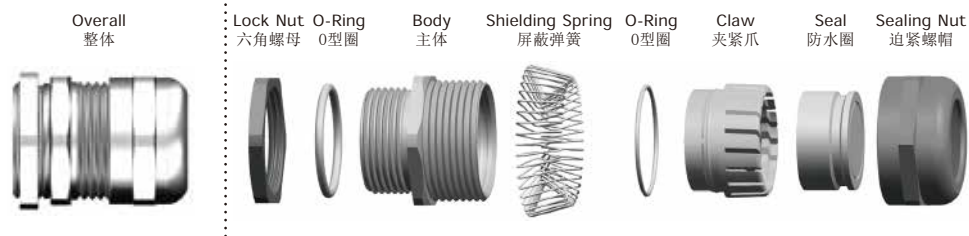
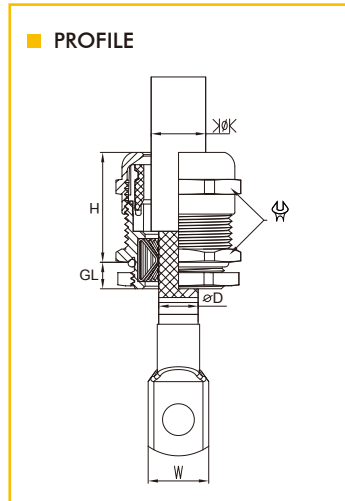
## PG Type EMC Metal Cable Glands-Spring Type



→ PG UL 05   cUL 05   CE   IP68   RoHS   REACH

材料: 黄铜镀镍	Material: Nickel-plated brass
弹簧材料: 不锈钢	Spring: Stainless steel
固定连接组件: 采用UL认可的尼龙材料	Fixture material: PA (NYLON), UL 94 V-2
防水圈: 硅橡胶	Seal: Silicone Rubber
O型圈: 硅橡胶	O-Ring: Silicone Rubber
工作温度: -40°C至100°C	Working temperature: -40°C to 100°C

注: 主体密封圈可选用PTFE材质垫片 Note: The washer could be made by PTFE on request.



Thread ØD1	Øk mm	ØD mm	H mm	GL mm	W mm	Seal mm	Beisit No.
PG 7	3-6.5	3.5-4.5	19	5	14	6	P0707BR-EMC-S
PG 7	2-5	3.5-4.5	19	5	14	6	P0705BR-EMC-S
PG 9	4-8	3.5-8	21	6	17	8	P0908BR-EMC-S
PG 9	2-6	3.5-8	21	6	17	8	P0906BR-EMC-S
PG 11	5-10	3.5-8	22	6	20	9	P1110BR-EMC-S
PG 11	3-7	3.5-8	22	6	20	9	P1107BR-EMC-S
PG 13.5	6-12	6-11	23	6.5	22	12	P13512BR-EMC-S
PG 13.5	5-9	6-11	23	6.5	22	12	P13509BR-EMC-S
PG 16	10-14	6-11	24	6.5	24	13	P1614BR-EMC-S
PG 16	7-12	6-11	24	6.5	24	13	P1612BR-EMC-S
PG 21	13-18	9-14	29	7	30	17	P2118BR-EMC-S
PG 21	9-16	9-14	29	7	30	17	P2116BR-EMC-S
PG 29	18-25	16-19	31	8	40	23	P2925BR-EMC-S
PG 29	13-20	16-19	31	8	40	23	P2920BR-EMC-S
PG 36	22-32	19.5-24	37	8	50	30	P3632BR-EMC-S
PG 36	20-26	19.5-24	37	8	50	30	P3626BR-EMC-S
PG 42	32-38	27.5-33	37	9	57	37	P4238BR-EMC-S
PG 42	25-31	27.5-33	37	9	57	37	P4231BR-EMC-S
PG 48	37-44	31-35	38	10	64	44	P4844BR-EMC-S
PG 48	29-35	31-35	38	10	64	44	P4835BR-EMC-S

专利产品仿冒必究 Patented product.  
可为客户特殊定制 Special Customization is available.



# NPT型屏蔽金属电缆固定头 S型

## NPT Type EMC Metal Cable Glands-Spring Type

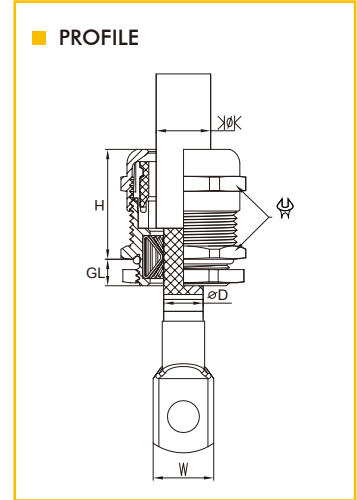


→ NPT

UL US
RoHS
CE
IP68
RoHS
REACH

材料: 黄铜镀镍	Material: Nickel-plated brass
弹簧材料: 不锈钢	Spring: Stainless steel
固定连接组件: 采用UL认可的尼龙材料	Fixture material: PA (NYLON), UL 94 V-2
防水圈: 硅橡胶	Seal: Silicone Rubber
O型圈: 硅橡胶	O-Ring: Silicone Rubber
工作温度: -40°C至100°C	Working temperature: -40°C to 100°C

注: 主体密封圈可选用PTFE材质垫片 Note: The washer could be made by PTFE on request.



Thread ØD1	Øk mm	ØD mm	H mm	GL mm	W mm	Beisit No.
1/4"NPT	3-6.5	3.5-4.5	19	13	14	N1407BR-EMC-S
1/4"NPT	2-5	3.5-4.5	19	13	14	N1405BR-EMC-S
3/8"NPT	5-10	3.5-8	22	15	20	N3810BR-EMC-S
3/8"NPT	3-7	3.5-8	22	15	20	N3807BR-EMC-S
1/2"NPT	6-12	6-11	23	13	22	N1212BR-EMC-S
1/2"NPT	5-9	6-11	23	13	22	N1209BR-EMC-S
1/2"NPT/E	10-14	6-11	24	13	24	N1214BR-EMC-S
1/2"NPT/E	7-12	6-11	24	13	24	N12712BR-EMC-S
3/4"NPT	13-18	9-14	25	13	30	N3418BR-EMC-S
3/4"NPT	9-16	9-14	25	13	30	N3416BR-EMC-S
1"NPT	18-25	16-19	31	15	40	N10025BR-EMC-S
1"NPT	13-20	16-19	31	15	40	N10020BR-EMC-S
1-1/4"NPT	18-25	16-19	31	17	40/44	N11425BR-EMC-S
1-1/4"NPT	13-20	16-19	31	17	40/44	N11420BR-EMC-S
1-1/2"NPT	22-32	19.5-24	37	20	50	N11232BR-EMC-S
1-1/2"NPT	20-26	19.5-24	37	20	50	N11226BR-EMC-S
2"NPT	37-44	31-35	38	21	64	N20044BR-EMC-S
2"NPT	29-35	31-35	38	21	64	N20035BR-EMC-S

专利产品仿冒必究 Patented product.



# G(PF)型屏蔽金属电缆固定头 S型

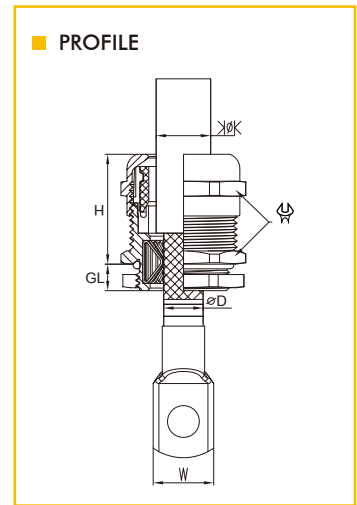
G(PF) Type EMC Metal Cable Glands-Spring Type



→ G(PF)

材料:	黄铜镀镍	Material:	Nickel-plated brass
弹簧材料:	不锈钢	Spring:	Stainless steel
固定连接组件:	采用UL认可的尼龙材料	Fixture material:	PA (NYLON), UL 94 V-2
防水圈:	硅橡胶	Seal:	Silicone Rubber
O型圈:	硅橡胶	O-Ring:	Silicone Rubber
工作温度:	-40°C至100°C	Working temperature:	-40°C to 100°C

注: 主体密封圈可选用PTFE材质垫片 Note: The washer could be made by PTFE on request.



Thread ØD1	mm	ØD mm	H mm	GL mm	mm	W mm	Beisit No.
G(PF)1/4"	3-6.5	3.5-4.5	19	8	14	6	G1407BR-EMC-S
G(PF)1/4"	2-5	3.5-4.5	19	8	14	6	G1405BR-EMC-S
G(PF)3/8"	5-10	3.5-8	22	9	20	9	G3810BR-EMC-S
G(PF)3/8"	3-7	3.5-8	22	9	20	9	G3807BR-EMC-S
G(PF)1/2"	10-14	6-11	24	9	24	13	G1214BR-EMC-S
G(PF)1/2"	7-12	6-11	24	9	24	13	G1212BR-EMC-S
G(PF)3/4"	13-18	9-14	25	12	30	17	G3418BR-EMC-S
G(PF)3/4"	9-16	9-14	25	12	30	17	G3416BR-EMC-S
G(PF)1"	18-25	16-19	31	12	40	23	G10025BR-EMC-S
G(PF)1"	13-20	16-19	31	12	40	23	G10020BR-EMC-S
G(PF)1 1/4"	22-32	19.5-24	37	15	50	30	G11432BR-EMC-S
G(PF)1 1/4"	20-26	19.5-24	37	15	50	30	G11426BR-EMC-S
G(PF)1 1/2"	32-38	27.5-33	37	15	57	37	G11238BR-EMC-S
G(PF)1 1/2"	25-31	27.5-33	37	15	57	37	G11231BR-EMC-S
G(PF)2"	37-44	31-35	38	15	64	44	G20044BR-EMC-S
G(PF)2"	29-35	31-35	38	15	64	44	G20035BR-EMC-S

专利产品仿冒必究 Patented product.



# M型屏蔽金属电缆固定头 S型/新能源汽车专用

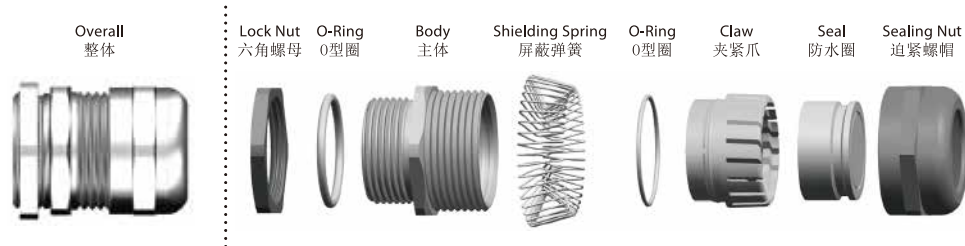
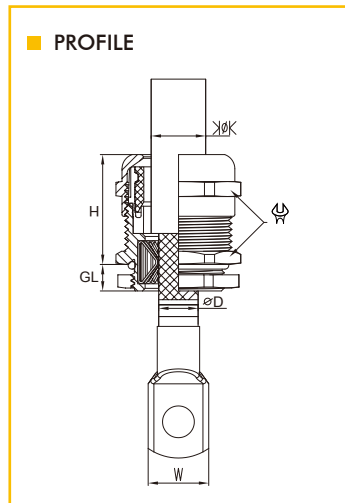
Metric Type EMC Metal Cable Gland-Spring Type /NEV Only



→ M CE IP68 RoHS REACH

材料: 黄铜镀镍	Material: Nickel-plated brass
弹簧材料: 不锈钢	Spring: Stainless steel
防水圈: 硅橡胶	Seal: Silicone Rubber
O型圈: 硅橡胶	O-Ring: Silicone Rubber
工作温度: -40°C至100°C	Working temperature: -40°C to 100°C

注: 主体密封圈可选用PTFE材质垫片 Note: The washer could be made by PTFE on request.



Thread ØD1	线缆 mm <sup>2</sup>	Øk mm	ØD mm	H mm	GL mm	mm	W mm	Beisit No.
M25 x 1.5	25	13-18	9-14	29	7	30	17	M2518BR-EMC-S
M25 x 1.5	25	9-16	9-14	29	7	30	17	M2516BR-EMC-S
M25 x 1.5	35	13-18	11-13.5	29	7	30	17	M2518BBR-EMC-S
M25 x 1.5	35	9-16	11-13.5	29	7	30	17	M2516BBR-EMC-S
M27 x 2	35	13-18	9-14	29	7	30	17	M2718BR-EMC-S
M32 x 1.5	35	9-16	9.5-14.5	27	8	30/34	17	M3216BR-EMC-S
M25 x 1.5	50	14-19	14-18	34	7	30	19	M2519BR-EMC-S
M25 x 1.5	50	14-19	14-18	34	12	30	19	M2519BRL-EMC-S
M27 x 2	50	13-18	13-16	43.5	8	30	19	M2718BR-EMC-S-J
M32 x 1.5	50	14-21	13-20	35	8	34	22	M3222BR-EMC-S-G
M32 x 1.5	70	13-18	13-18	35	8	34	22	M3218BR-EMC-S-G
M32 x 1.5	70	14-21	15-20	35	8	34	22	M3221BR-EMC-S
M32 x 1.5	70	14-21	15.5-20	35	8	34	22	M3222BBR-EMC-S
M32 x 1.5	70	18-25	16-19	31	8	40	23	M3225BR-EMC-S
M32 x 1.5	70	13-20	14.5-20	31	8	40	23	M3220BR-EMC-S
M36 x 2	70	13-20	15-20	35	10	40	22	M3620BBR-EMC-S

专利产品仿冒必究 Patented product.  
可为客户特殊定制 Special Customization is available.



# M型大锁紧范围屏蔽金属电缆固定头 S型/新能源汽车专用

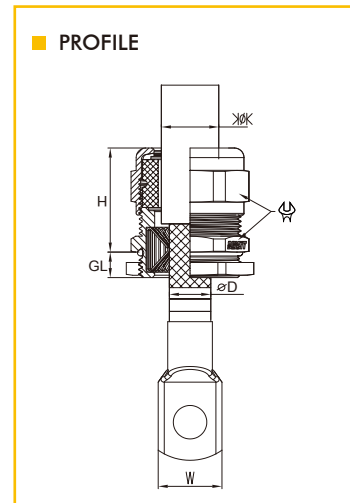
Metric Type Wide Clamping Range EMC Glands-Spring Type/NEV Only



→ M CE IP68 RoHS REACH

材料: 黄铜镀镍	Material: Nickel-plated brass
弹簧材料: 不锈钢	Spring: Stainless steel
防水圈: 硅橡胶	Seal: Silicone Rubber
O型圈: 硅橡胶	O-Ring: Silicone Rubber
工作温度: -40°C至125°C	Working temperature: -40°C to 125°C

注: 主体密封圈可选用PTFE材质垫片 Note: The washer could be made by PTFE on request.



Thread ØD1	线缆 mm <sup>2</sup>	ØK mm	ØD mm	H mm	GL mm	mm	W mm	Beisit No.
M25 x 1.5	25	9-16	9.5-14.5	38	7	30	17	M2516BR-EMC-S-WCR
M25 x 1.5	35	12-18	11-16	38	7	30	19	M2518BR-EMC-S-WCR
M25 x 1.5	50	12-18	13-16	38	7	30	19	M2518BR-EMC-S-WCR
M27 x 2	50	12-18	13-16	45	8	30	19	M2718BR-EMC-S-WCR-D
M32 x 1.5	50	16-20	13.5-16.5	36	8	34	20	M3222BR-EMC-S-WCR
M32 x 1.5	50	16-20	12.5-15.5	32	8	34	20	M3222BR-EMC-S-WCR-G
M33 x 2	50	16-20	13-16	32	10	34/36	20	M3322BR-EMC-S-WCR
M36 x 2	50	16-20	13-18	35	10	34/40	21	M3620BR-EMC-S-WCR
M30 x 2	70	16-20	14.5-19.5	36	8	34	22	M3022BR-EMC-S-WCR
M32 x 1.5	70	17-21	15.5-20	32.5	8	36	23.5	M3224BR-EMC-S-WCR
M36 x 2	70	16-20	15-20	35	10	34/40	22	M3620BR-EMC-S-WCR
M32 x 1.5	95	20-25	18-25	45	8	40	26.5	M3225BR-EMC-S-WCR
M36 x 2	95	20-25	18-25	36	10	40	26.5	M3627BR-EMC-S-WCR
M40 x 1.5	120	20-25	18-25	36	10	40/43	26.5	M4027BR-EMC-S-WCR
M40 x 1.5	150	20-32	22-27	49	8	50	30	M4032BR-EMC-S-WCR
M25 x 1.5	25	12-15	9-14	27	7	30	17	M2515BR-EMC-S-25
M25 x 1.5	35	12-15	11-15	27	7	30	19	M2515BR-EMC-S-35
M25 x 1.5	50	12-15	13-16	27	7	30	17	M2515BR-EMC-S
M25 x 1.5	50	12.5-17	13-15	27	7	30	17	M2517BR-EMC-S
M25 x 1.5	50	15-18	13-16	27	7	30	19	M2518BR-EMC-S-50
M32 x 1.5	50	16-18	13-15	26	8	34	22	M3218BR-EMC-S-50
M32 x 1.5	70	16-20	15.5-20	26.5	8	36	23	M3220BR-EMC-S-70

专利产品仿冒必究 Patented product.  
可为客户特殊定制 Special Customization is available.





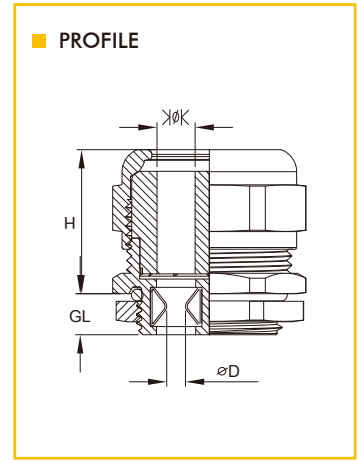
# M型多孔屏蔽金属电缆固定头

Metric Type Multi-Entry Metal Cable Glands EMC-S type



→ M CE IP68 RoHS REACH

材料: 黄铜镀镍	Material: Nickel-plated brass
密封圈: 硅橡胶	Sealing: Silicone Rubber
O型圈: 硅橡胶	O Ring: Silicone Rubber
工作温度: -40°C至125°C	Working temperature: -40°C to 125°C



注: 主体密封圈可选用PTFE材质垫片 Note: The washer could be made by PTFE on request.



Thread øD1	øK mm	øD mm	H mm	GL mm	SW mm	Beisit No.
M25 x 1.5	2 x 6.5	3.2-5.5	24.5	7	30	BST-M25BR-H2-6.5-EMC
M25 x 1.5	3 x 6.5	3.2-5.5	24.5	7	30	BST-M25BR-H3-6.5-EMC

备注: 以上THREAD. Φ.Shield.H.GL.W尺寸可根据客户定制,\*表示没有现货

REMARK: Dimension for Thread.Φ.Shield.H.GL.W can be customized, \* means Stock is not available



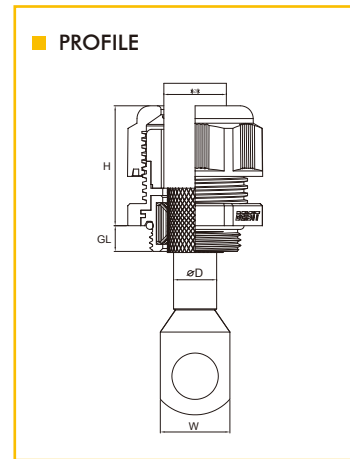
# M复合型屏蔽电缆固定头

Metric Type Composite EMC Cable Glands-S Type



→ M CE IP68 RoHS REACH

材料: 采用UL认可的尼龙材料 黄铜镀镍	Material: PA (NYLON), UL 94 V-2 Nickel-plated brass
防水圈: 硅橡胶	Seal: Silicone Rubber
O型圈: 硅橡胶	O-Ring: Silicone Rubber
工作温度: -40°C至125°C	Working temperature: -40°C to 125°C
颜色种类: 灰色、黑色, 其他颜色可定做	Color: Grey(RAL7035), Black(RAL9005), other colors customized.
材料种类: V0或F1可定做	Material options: V0, or F1 can be offered upon request.



Thread ØD1	Φ mm	ØD mm	H mm	GL mm	mm	W mm	Beisit No. RAL9005
* M12 x 1.5	4-6.5	3.5-4.5	21	6.5	19	6	BST-M1207B-BRT-EMC-S
* M12 x 1.5	3-5	3.5-4.5	21	6.5	19	6	BST-M1205B-BRT-EMC-S
* M16 x 1.5	8-10	3.5-5.5	25	6	22	9	BST-M1610B-BRT-EMC-S
* M16 x 1.5	6-8	3.5-5.5	25	6	22	8	BST-M1608B-BRT-EMC-S
M20 x 1.5	12-14	6-11	29	6	27	13	BST-M2014B-BRT-EMC-S
M20 x 1.5	10-12	6-11	29	6	27	12	BST-M2012B-BRT-EMC-S
M25 x 1.5	15-18	9-14	32	7	33	17	BST-M2518B-BRT-EMC-S
M25 x 1.5	13-16	9-14	32	7	33	17	BST-M2516B-BRT-EMC-S
M25 x 1.5	15-18	11-13.5	32	7	33	17	BST-M2518BB-BRT-EMC-S
M25 x 1.5	13-16	11-13.5	32	7	33	17	BST-M2516BB-BRT-EMC-S
M25 x 1.5	15-18	14-18	32	7	33	19	BST-M2519B-BRT-EMC-S
M32 x 1.5	14-18	9.5-14.5	39	8	42	23	BST-M3218B-BRT-EMC-S
M32 x 1.5	17-21	13-20	39	8	42	23	BST-M3222B-BRT-EMC-S
M32 x 1.5	17-21	15.5-20	39	8	42	23	BST-M3222BB-BRT-EMC-S
M32 x 1.5	21-25	14.5-20	39	8	42	23	BST-M3225B-BRT-EMC-S
M32 x 1.5	17-21	14.5-20	39	8	42	23	BST-M3221B-BRT-EMC-S
M36 x 2.0	17-21	15-20	39	10	42	23	BST-M3621B-BRT-EMC-S
* M40 x 1.5	26-32	24-30	45	8	53	30	BST-M4032B-BRT-EMC-S
* M40 x 1.5	22-26	24-30	45	8	53	30	BST-M4026B-BRT-EMC-S
* M50 x 1.5	34-38	28-35	48	9	60	37	BST-M5038B-BRT-EMC-S
* M50 x 1.5	27-31	28-35	48	9	60	37	BST-M5031B-BRT-EMC-S
* M63 x 1.5	39-44	33-41	49	10	68	44	BST-M6344B-BRT-EMC-S
* M63 x 1.5	30-35	33-41	49	10	68	44	BST-M6335B-BRT-EMC-S

备注: 以上THREAD.Φ.Shield.H.GL.W尺寸可根据客户定制,\*表示没有现货  
REMARK: Dimension for Thread.Φ.Shield.H.GL.W can be customized, \* means Stock is not available



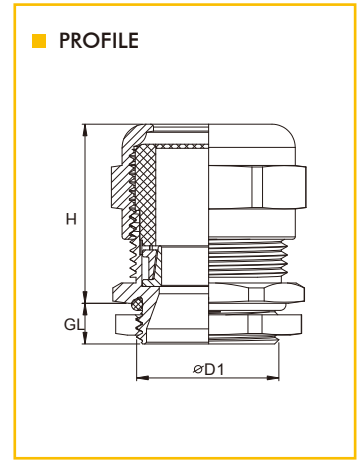
# M型屏蔽金属电缆固定头 R型

Metric Type EMC Metal Cable Glands-Ring Type



→ M CE IP68 RoHS REACH

材料: 黄铜镀镍	Material: Nickel-plated brass
防水圈: 丁腈橡胶(可定制耐候橡胶)	Seal: NBR (EPDM upon request)
O型圈: 耐候橡胶(可定制硅橡胶)	O-Ring: EPDM (Silicone upon request)
工作温度: -40°C至100°C	Working temperature: -40°C to 100°C



注: 主体密封圈可选用PTFE材质垫片 Note: The washer could be made by PTFE on request.



Thread øD1	mm	H mm	GL mm	mm	Beisit No.
M12 x 1.5	4-6.5	23	6.5	17	M1207BR-EMC-R
M12 x 1.5	3-5	23	6.5	17	M1205BR-EMC-R
M16 x 1.5	6-8	25	6	20	M1608BR-EMC-R
M16 x 1.5	4-6	25	6	20	M1606BR-EMC-R
M16 x 1.5	7-10	25	6	20	M1610BR-EMC-R
M16 x 1.5	4.5-7	25	6	20	M1607BR-EMC-R
M20 x 1.5	9-12	28	6	24	M2012BR-EMC-R
M20 x 1.5	6-9	28	6	24	M2009BR-EMC-R
M20 x 1.5	11-14	28	6	24	M2014BR-EMC-R
M25 x 1.5	15-18	30	7	30	M2518BR-EMC-R
M25 x 1.5	13-16	30	7	30	M2516BR-EMC-R
M25 x 1.5	17-20	36	7	34	M2520BR-EMC-R
M32 x 1.5	18-21	36	8	34	M3221BR-EMC-R
M32 x 1.5	17-20	36	8	34	M3220BR-EMC-R
M40 x 1.5	24-28	39	8	50	M4028BR-EMC-R
M40 x 1.5	21-26	39	8	50	M4026BR-EMC-R
M50 x 1.5	31-35.5	41	9	57	M5035BR-EMC-R
M50 x 1.5	26-31	41	9	57	M5031BR-EMC-R



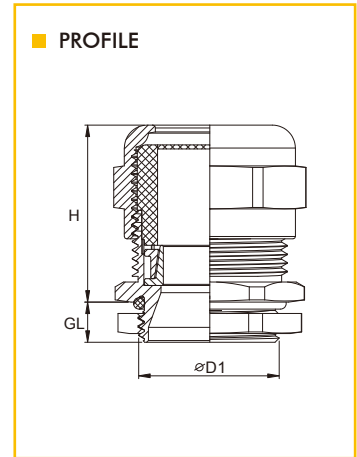
PG型屏蔽金属电缆固定头 R型  
PG Type EMC Metal Cable Glands-Ring Type



→ PG CE IP68 RoHS REACH

材料: 黄铜镀镍	Material: Nickel-plated brass
防水圈: 丁腈橡胶(可定制耐候橡胶)	Seal: NBR (EPDM upon request)
O型圈: 耐候橡胶(可定制硅橡胶)	O-Ring: EPDM (Silicone upon request)
工作温度: -40°C至100°C	Working temperature: -40°C to 100°C

注: 主体密封圈可选用PTFE材质垫片 Note: The washer could be made by PTFE on request.



Thread øD1	mm	H mm	GL mm	mm	Beisit No.
PG 7	4-6.5	23	6.5	17	P707BR-EMC-R
PG 7	3-5	23	6.5	17	P705BR-EMC-R
PG 9	6-8	25	6	20	P908BR-EMC-R
PG 9	4-6	25	6	20	P906BR-EMC-R
PG 11	7-10	25	6	20	P1110BR-EMC-R
PG 11	4.5-7	25	6	20	P1107BR-EMC-R
PG 13.5	9-12	28	6	24	P13512BR-EMC-R
PG 13.5	6-9	28	6	24	P13509BR-EMC-R
PG 16	11-14	28	6	24	P1614BR-EMC-R
PG 16	9-12	28	6	24	P1612BR-EMC-R
PG 21	15-18	30	7	30	P2118BR-EMC-R
PG 21	13-16	30	7	30	P2116BR-EMC-R
PG 29	18-21	36	8	34	P2921BR-EMC-R
PG 29	17-20	36	8	34	P2920BR-EMC-R
PG 36	24-28	39	8	50	P3628BR-EMC-R
PG 36	21-26	39	8	50	P3626BR-EMC-R
PG 42	31-35.5	41	9	57	P4235BR-EMC-R
PG 42	26-31	41	9	57	P4231BR-EMC-R



# NPT型屏蔽金属电缆固定头 R型

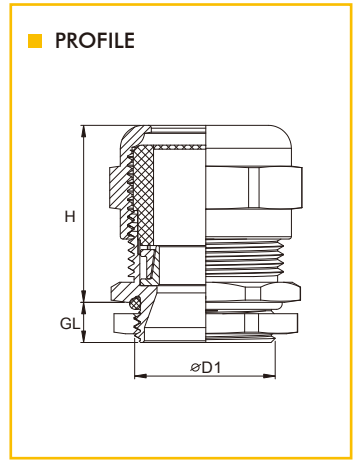
## NPT Type EMC Metal Cable Glands-Ring Type



→ NPT CE IP68/IP69K RoHS REACH

材料: 黄铜镀镍	Material: Nickel-plated brass
防水圈: 丁腈橡胶(可定制耐候橡胶)	Seal: NBR (EPDM upon request)
O型圈: 耐候橡胶(可定制硅橡胶)	O-Ring: EPDM (Silicone upon request)
工作温度: -40°C至100°C	Working temperature: -40°C to 100°C

注: 主体密封圈可选用PTFE材质垫片 Note: The washer could be made by PTFE on request.



Thread øD1	mm	H mm	GL mm	mm	Beisit No.
1/4"NPT	4-6.5	23	13	17	N1407BR-EMC-R
1/4"NPT	3-5	23	13	17	N1405BR-EMC-R
3/8"NPT	6-8	25	15	20	N3810BR-EMC-R
3/8"NPT	4-6	25	15	20	N3807BR-EMC-R
1/2"NPT	7-10	28	13	22	N12612BR-EMC-R
1/2"NPT	4.5-7	28	13	22	N1209BR-EMC-R
1/2"NPT/E	9-12	28	13	24	N1214BR-EMC-R
1/2"NPT/E	6-9	28	13	24	N12712BR-EMC-R
3/4"NPT	11-14	30	13	30	N3418BR-EMC-R
3/4"NPT	9-12	30	13	30	N3416BR-EMC-R
1"NPT	15-18	36	15	40	N10021BR-EMC-R
1"NPT	13-16	36	15	40	N10020BR-EMC-R
1-1/4"NPT	18-21	36	17	44	N11421BR-EMC-R
1-1/4"NPT	17-20	36	17	44	N11420BR-EMC-R
1-1/2"NPT	24-28	39	20	50	N11228BR-EMC-R
1-1/2"NPT	21-26	39	20	50	N11226BR-EMC-R
2"NPT	31-35.5	41	21	64	N20035BR-EMC-R
2"NPT	26-31	41	21	64	N20031BR-EMC-R





# G(PF)型屏蔽金属电缆固定头 R型

## G(PF) Type EMC Metal Cable Glands-Ring Type

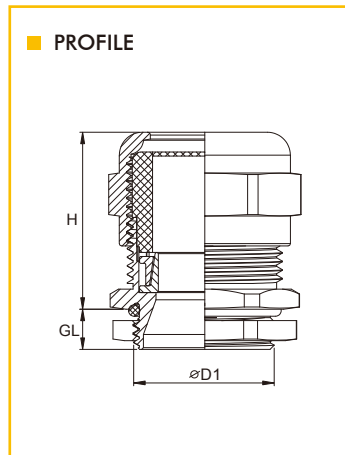


→ G(PF)

CE IP68 RoHS REACH

材料: 黄铜镀镍  
 防水圈: 丁腈橡胶(可定制耐候橡胶)  
 O型圈: 耐候橡胶(可定制硅橡胶)  
 工作温度: -40°C至100°C

Material: Nickel-plated brass  
 Seal: NBR (EPDM upon request)  
 O-Ring: EPDM (Silicone upon request)  
 Working temperature: -40°C to 100°C



注: 主体密封圈可选用PTFE材质垫片 Note:The washer could be made by PTFE on request.



Thread $\varnothing D1$	$\varnothing$ mm	H mm	GL mm	 mm	Beisit No.
G(PF) 1/4"	4-6.5	23	8	14	G1407BR-EMC-R
G(PF) 1/4"	3-5	23	8	14	G1405BR-EMC-R
G(PF) 3/8"	7-10	25	9	20	G3810BR-EMC-R
G(PF) 3/8"	4.5-7	25	9	20	G3807BR-EMC-R
G(PF) 1/2"	11-14	28	9	24	G1214BR-EMC-R
G(PF) 1/2"	7-12	28	9	24	G1212BR-EMC-R
G(PF) 3/4"	15-18	30	12	30	G3418BR-EMC-R
G(PF) 3/4"	13-16	30	12	30	G3416BR-EMC-R
G(PF) 1"	18-21	36	12	40	G10021BR-EMC-R
G(PF) 1"	17-20	36	12	40	G10020BR-EMC-R
G(PF) 1 1/4"	24-28	39	15	50	G11428BR-EMC-R
G(PF) 1 1/4"	21-26	39	15	50	G11426BR-EMC-R
G(PF) 1 1/2"	31-35.5	41	15	57	G11235BR-EMC-R
G(PF) 1 1/2"	26-31	41	15	57	G11231BR-EMC-R



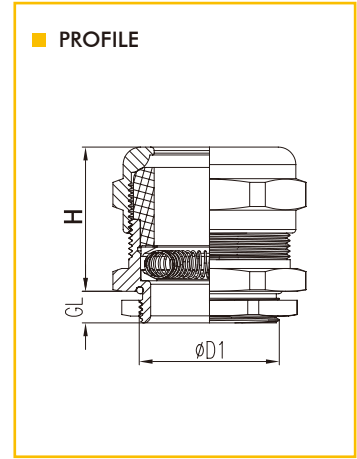
# M型/PG型圆形屏蔽金属电缆固定头 W型

Metric Type/PG Type Circular EMC Metal Cable Glands W Type



→ M/PG CE IP68 RoHS

材料: 黄铜镀镍	Material: Nickel-plated brass
弹簧材料: 不锈钢	Spring: Stainless steel
防水圈: 硅橡胶	Seal: Silicone Rubber
O型圈: 硅橡胶	O-Ring: Silicone Rubber
工作温度: -40°C至125°C (可选-65°C~150°C)	Working temperature: -40°C to 125° (optional -65°C~150°C)



注: 主体密封圈可选用PTFE材质垫片 Note: The washer could be made by PTFE on request.



Thread ØD1	∅K mm	∅D mm	H mm	GL mm	 mm	Beisit No.
M25 x 1.5	12-16	9-12	30	7	30	M2516BR-W-EMC
M25 x 1.5	14-18	14-16	30	7	30	M2518BR-W-EMC
M32 x 1.5	12-16	9-12	31	8	30/36	M3216BR-W-EMC
M32 x 1.5	18-22	16-18	36	8	40	M3222BR-W-EMC
M32 x 1.5	19-24	20-24	36	8	40	M3224BR-W-EMC
M32 x 1.5	22-26	21-24	36	8	40	M3226BR-W-EMC
M40 x 1.5	24-28	21-24	41	9	50	M4028BR-W-EMC
M40 x 1.5	28-31	21-23	41	9	50	M4031BR-W-EMC
M40 x 1.5	28-33	21-23	41	9	50	M4033BR-W-EMC
PG 21	12-16	9-12	31	8	30/32	P2116BR-W-EMC

注: 螺纹规格、线径范围、屏蔽范围、安装高度(H)、螺纹长度(GL)、扳手尺寸可根据客户要求定制。  
 Note: Thread, cable range, shielding range, installing height (H), thread length (GL), wrench size can be customized.



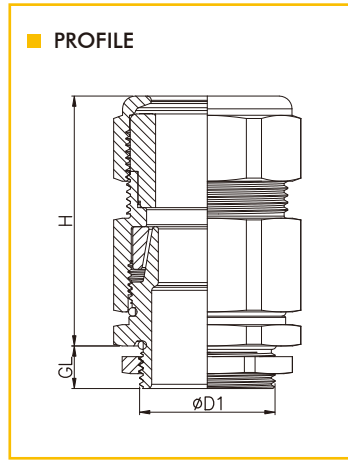
# M型铠装电缆固定头

Metric Armoured Metal Cable Gland



→ M CE IP68 RoHS

材料:	黄铜镀镍	Material:	Nickel-Plated Brass
防水圈:	硅橡胶	Seal:	Silicone Rubber
O型圈:	硅橡胶	O Ring:	Silicone Rubber
工作温度:	-40~125°C (可选-65°C至150°C)	Working temperature:	-40°C to 125°C (Optional-65°C to 150°C)



Thread ØD1	∅ mm	Armour Range Min Max	H mm	GL mm	mm	Beisit No.
M12 x 1.5	3-5	0.2-0.7	36	6.5	17	BST-M1205BR-W-SSA
M12 x 1.5	4-6.5	0.2-0.7	36	6.5	17	BST-M1207BR-W-SSA
M16 x 1.5	4-6.5	0.2-0.7	36	7	17/19	BST-M1607BR-W-SSA
M16 x 1.5	5-8	0.2-0.7	45	7	20	BST-M1608BR-W-SSA
M16 x 1.5	7-10	0.2-0.7	45	7	20	BST-M1610BR-W-SSA
M20 x 1.5	5-8	0.2-0.7	45	7	20/22	BST-M2008BR-W-SSA
M20 x 1.5	7-10	0.2-0.7	45	7	20/22	BST-M2010BR-W-SSA
M20 x 1.5	8-12	0.2-0.7	50	7	24	BST-M2012BR-W-SSA
M20 x 1.5	9-13	0.2-0.7	50	7	24	BST-M2013BR-W-SSA
M25 x 1.5	8-12	0.2-0.7	50	8	24/30	BST-M2512BR-W-SSA
M25 x 1.5	9-13	0.2-0.7	50	8	24/30	BST-M2513BR-W-SSA
M25 x 1.5	10-14	0.2-0.7	55	8	30	BST-M2514BR-W-SSA
M25 x 1.5	11-15	0.2-0.7	55	8	30	BST-M2515BR-W-SSA
M25 x 1.5	13-17	0.2-0.7	55	8	30	BST-M2517BR-W-SSA
M25 x 1.5	14-18	0.2-0.7	55	8	30	BST-M2518BR-W-SSA
M32 x 1.5	10-14	0.2-0.7	55	8	30/36	BST-M3214BR-W-SSA
M32 x 1.5	11-15	0.2-0.7	55	8	30/36	BST-M3215BR-W-SSA
M32 x 1.5	13-17	0.2-0.7	55	8	30/36	BST-M3217BR-W-SSA
M32 x 1.5	14-18	0.2-0.7	55	8	30/36	BST-M3218BR-W-SSA
M32 x 1.5	15-19	0.2-1.0	58	8	36	BST-M3219BR-W-SSA
M32 x 1.5	17-21	0.2-1.0	58	8	36	BST-M3221BR-W-SSA
M32 x 1.5	18-22	0.2-1.0	58	8	36	BST-M3222BR-W-SSA
M40 x 1.5	15-19	0.2-1.0	58	8	36/45	BST-M4019BR-W-SSA
M40 x 1.5	17-21	0.2-1.0	58	9	36/45	BST-M4021BR-W-SSA
M40 x 1.5	18-22	0.2-1.0	58	9	36/45	BST-M4022BR-W-SSA
M40 x 1.5	21-26	0.2-1.4	66	9	50	BST-M4026BR-W-SSA
M40 x 1.5	24-28	0.2-1.4	66	9	50	BST-M4028BR-W-SSA
M40 x 1.5	28-32	0.2-1.4	66	9	50	BST-M4032BR-W-SSA
M50 x 1.5	26-31	0.4-1.7	67	10	57	BST-M5031BR-W-SSA
M50 x 1.5	31-36	0.4-1.7	67	10	57	BST-M5036BR-W-SSA
M50 x 1.5	36-40	0.4-1.7	67	10	57	BST-M5040BR-W-SSA
M63 x 1.5	39-45	0.4-1.8	70	10	68	BST-M6345BR-W-SSA



# M型金属电缆固定头 W型

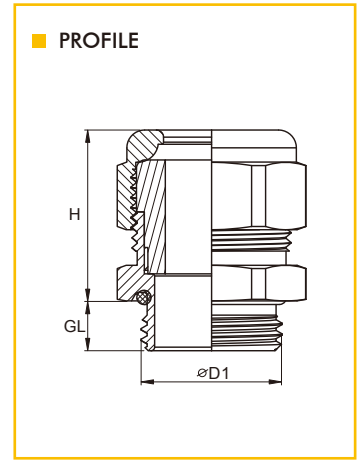
Metric Type Metal Cable Glands W Type



→ M CE IP68 RoHS

材料: 黄铜镀镍	Material: Nickel-plated brass
防水圈: 硅橡胶	Seal: Silicone Rubber
O型圈: 硅橡胶	O-Ring: Silicone Rubber
工作温度: -40°C至125°C	Working temperature: -40°C to 125°

注: 主体密封圈可选用PTFE材质垫片 Note: The washer could be made by PTFE on request.



Thread $\varnothing D1$	$\varnothing k$ mm	H mm	GL mm	 mm	Beisit No.
M12 x 1.5	3-5	21	6.5	17	M1205BR-W
M12 x 1.5	4-6.5	21	6.5	17	M1207BR-W
M16 x 1.5	3-5	21	7	17/19	M1605BR-W
M16 x 1.5	4-6	24	7	20	M1606BR-W
M16 x 1.5	4.5-7	24	7	20	M1607BR-W
M16 x 1.5	5-8	24	7	20	M1608BR-W
M16 x 1.5	7-10	24	7	20	M1610BR-W
M20 x 1.5	4-6	25.5	7	20/22	M2006BR-W
M20 x 1.5	4.5-7	25.5	7	20/22	M2007BR-W
M20 x 1.5	5-8	25.5	7	20/22	M2008BR-W
M20 x 1.5	7-10	25.5	7	20/22	M2010BR-W
M20 x 1.5	6-9	28.5	7	24	M2009BR-W
M20 x 1.5	7-11	28.5	7	24	M2011BR-W
M20 x 1.5	8-12	28.5	7	24	M2012BR-W
M20 x 1.5	9-13	28.5	7	24	M2013BR-W
M20 x 1.5	11-14	28	7	24	M2014BR-W
M25 x 1.5	6-9	28.5	8	24/30	M2509BR-W
M25 x 1.5	7-11	28.5	8	24/30	M2511BR-W
M25 x 1.5	8-12	28.5	8	24/30	M2512BR-W
M25 x 1.5	9-13	28.5	8	24/30	M2513BR-W
M25 x 1.5	11-14	28.5	8	24/30	M2514BR-W
M25 x 1.5	10-14	30	8	30	M2514BR-W
M25 x 1.5	11-15	30	8	30	M2515BR-W
M25 x 1.5	12-16	30	8	30	M2516BR-W
M25 x 1.5	13-17	30	8	30	M2517BR-W
M25 x 1.5	14-18	30	8	30	M2518BR-W



# M型金属电缆固定头 W型

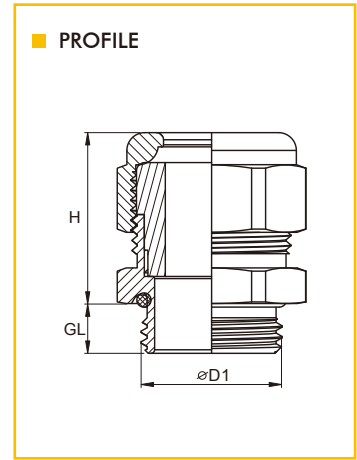
Metric Type Metal Cable Glands W Type



→ M CE IP68 RoHS

材料: 黄铜镀镍	Material: Nickel-plated brass
防水圈: 硅橡胶	Seal: Silicone Rubber
O型圈: 硅橡胶	O-Ring: Silicone Rubber
工作温度: -40°C至125°C	Working temperature: -40°C to 125°C

注: 主体密封圈可选用PTFE材质垫片 Note: The washer could be made by PTFE on request.



Thread $\varnothing D1$	$\varnothing$ mm	H mm	GL mm	$\varnothing$ mm	Beisit No.
M32 x 1.5	10-14	31	8	30/36	M3214BR-W
M32 x 1.5	11-15	31	8	30/36	M3215BR-W
M32 x 1.5	12-16	31	8	30/36	M3216BR-W
M32 x 1.5	13-17	31	8	30/36	M3217BR-W
M32 x 1.5	14-18	31	8	30/36	M3217BR-W
M32 x 1.5	15-19	32	8	36	M3219BR-W
M32 x 1.5	17-21	32	8	36	M3221BR-W
M32 x 1.5	18-22	32	8	36	M3222BR-W
M32 x 1.5	19-24	34	8	40	M3224BR-W
M32 x 1.5	20-25	34	8	40	M3225BR-W
M32 x 1.5	22-26	34	8	40	M3226BR-W
M40 x 1.5	15-19	32.5	9	36/45	M4019BR-W
M40 x 1.5	17-21	32.5	9	36/45	M4021BR-W
M40 x 1.5	18-22	32.5	9	36/45	M4022BR-W
M40 x 1.5	19-24	34	8	40/45	M4024BR-W
M40 x 1.5	20-25	34	8	40/45	M4025BR-W
M40 x 1.5	22-26	34	8	40/45	M4026BR-W
M40 x 1.5	24-28	37.5	9	50	M4028BR-W
M40 x 1.5	25-30	37.5	9	50	M4030BR-W
M50 x 1.5	27-32	39.5	10	57	M5032BR-W
M50 x 1.5	29-34	39.5	10	57	M5034BR-W
M50 x 1.5	32-36	39.5	10	57	M5036BR-W
M50 x 1.5	36-40	39.5	10	57	M5040BR-W
M63 x 1.5	39-44	42.5	10	68	M6344BR-W





# M加长型金属电缆固定头 W型

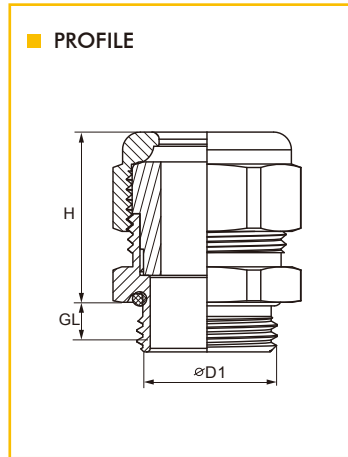
## Metric-Length Type Metal Cable Glands W Type



→ M-Length CE IP68 RoHS

材料: 黄铜镀镍	Material: Nickel-plated brass
防水圈: 硅橡胶	Seal: Silicone Rubber
O型圈: 硅橡胶	O-Ring: Silicone Rubber
工作温度: -40°C至125°C	Working temperature: -40°C to 125°C

注: 主体密封圈可选用PTFE材质垫片 Note: The washer could be made by PTFE on request.



Thread $\varnothing D1$	$\varnothing K$ mm	H mm	GL mm	$\varnothing W$ mm	Beisit No.
M12 x 1.5	3-5	21	10	17	M1205BRL-W
M12 x 1.5	4-6.5	21	10	17	M1207BRL-W
M16 x 1.5	3-5	21	10	17/19	M1605BRL-W
M16 x 1.5	4-6	24	10	20	M1606BRL-W
M16 x 1.5	4.5-7	24	10	20	M1607BRL-W
M16 x 1.5	5-8	24	10	20	M1608BRL-W
M16 x 1.5	7-10	24	10	20	M1610BRL-W
M20 x 1.5	4-6	25.5	10	20/22	M2006BRL-W
M20 x 1.5	4.5-7	25.5	10	20/22	M2007BRL-W
M20 x 1.5	5-8	25.5	10	20/22	M2008BRL-W
M20 x 1.5	7-10	25.5	10	20/22	M2010BRL-W
M20 x 1.5	6-9	28.5	10	24	M2009BRL-W
M20 x 1.5	7-11	28.5	10	24	M2011BRL-W
M20 x 1.5	8-12	28.5	10	24	M2012BRL-W
M20 x 1.5	9-13	28.5	10	24	M2013BRL-W
M20 x 1.5	11-14	28	10	24	M2014BRL-W
M25 x 1.5	6-9	28.5	12	24/30	M2509BRL-W
M25 x 1.5	7-11	28.5	12	24/30	M2511BRL-W
M25 x 1.5	8-12	28.5	12	24/30	M2512BRL-W
M25 x 1.5	9-13	28.5	12	24/30	M2513BRL-W
M25 x 1.5	11-14	28.5	12	24/30	M2514BRL-W
M25 x 1.5	10-14	30	12	30	M2514BRL-W
M25 x 1.5	11-15	30	12	30	M2515BRL-W
M25 x 1.5	12-16	30	12	30	M2516BRL-W
M25 x 1.5	13-17	30	12	30	M2517BRL-W
M25 x 1.5	14-18	30	12	30	M2518BRL-W



# M加长型金属电缆固定头 W型

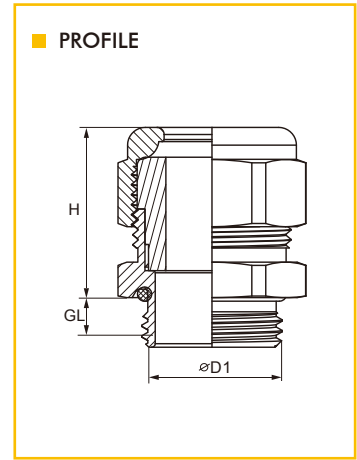
## Metric-Length Type Metal Cable Glands W Type



→ M-Length CE IP68 RoHS

材料: 黄铜镀镍	Material: Nickel-plated brass
防水圈: 硅橡胶	Seal: Silicone Rubber
O型圈: 硅橡胶	O-Ring: Silicone Rubber
工作温度: -40°C至125°C	Working temperature: -40°C to 125°C

注: 主体密封圈可选用PTFE材质垫片 Note: The washer could be made by PTFE on request.



Thread ∅D1	∅K mm	H mm	GL mm	U mm	Beisit No.
M32 x 1.5	10-14	31	12	30/36	M3214BRL-W
M32 x 1.5	11-15	31	12	30/36	M3215BRL-W
M32 x 1.5	12-16	31	12	30/36	M3216BRL-W
M32 x 1.5	13-17	31	12	30/36	M3217BRL-W
M32 x 1.5	14-18	31	12	30/36	M3217BRL-W
M32 x 1.5	15-19	32	12	36	M3219BRL-W
M32 x 1.5	17-21	32	12	36	M3221BRL-W
M32 x 1.5	18-22	32	12	36	M3222BRL-W
M32 x 1.5	19-24	34	12	40	M3224BRL-W
M32 x 1.5	20-25	34	12	40	M3225BRL-W
M32 x 1.5	22-26	34	12	40	M3226BRL-W
M40 x 1.5	15-19	32.5	15	36/45	M4019BRL-W
M40 x 1.5	17-21	32.5	15	36/45	M4021BRL-W
M40 x 1.5	18-22	32.5	15	36/45	M4022BRL-W
M40 x 1.5	19-24	34	15	40/45	M4024BRL-W
M40 x 1.5	20-25	34	15	40/45	M4025BRL-W
M40 x 1.5	22-26	34	15	40/45	M4026BRL-W
M40 x 1.5	24-28	37.5	15	50	M4028BRL-W
M40 x 1.5	25-30	37.5	15	50	M4030BRL-W
M50 x 1.5	27-32	39.5	15	57	M5032BRL-W
M50 x 1.5	29-34	39.5	15	57	M5034BRL-W
M50 x 1.5	32-36	39.5	15	57	M5036BRL-W
M50 x 1.5	36-40	39.5	15	57	M5040BRL-W
M63 x 1.5	39-44	42.5	15	68	M6344BRL-W



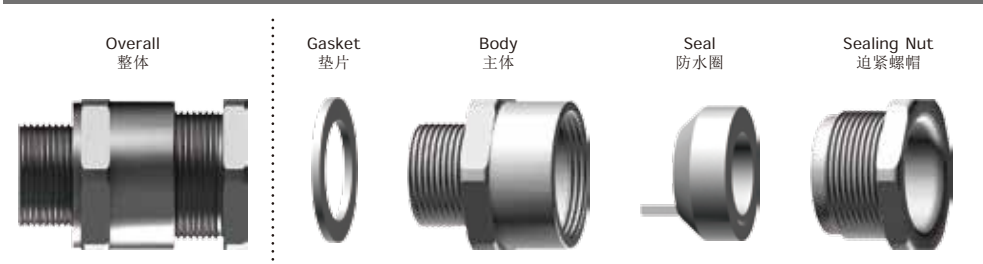
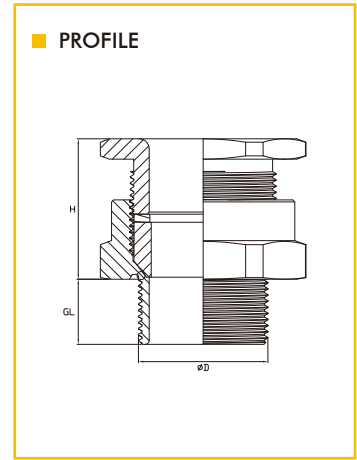
# M型填料函

Metric Type Ex-Stuffing Glands



→ M CE IP68 RoHS

材料:	黄铜镀镍	Material:	Nickel-plated brass
防水圈:	倍仕得定制弹性体	Seal:	Elastomer
垫片:	PTFE	Gasket:	PTFE
工作温度:	-60°C至150°C	Working temperature:	-60°C to 150°C



Thread øD1	Ø mm	H mm	GL mm	U mm	Beisit No.
M16 x 1.5	3-8	30	15	24	M1608BR-SS
M20 x 1.5	3-8	29	15	24	M2008BR-SS
M20 x 1.5	7.5-12	29	15	24	M2012BR-SS
M20 x 1.5	8.7-14	30	15	27	M2014BR-SS
M25 x 1.5	9-15	37	15	36	M2515BR-SS
M25 x 1.5	13-20	37	15	36	M2520BR-SS
M32 x 1.5	19-26.5	36	15	43	M3227BR-SS
M40 x 1.5	25-32.5	39	15	50	M4033BR-SS
M50 x 1.5	31-38	40	15	55	M5038BR-SS
M50 x 1.5	36-44	45	15	60	M5044BR-SS
M63 x 1.5	41.5-50	46	15	75	M6350BR-SS
M63 x 1.5	48-55	46	15	75	M6355BR-SS
M75 x 1.5	54-62	45	15	90	M7562BR-SS
M75 x 1.5	61-68	45	15	90	M7568BR-SS
M80 x 2.0	67-73	61	24	96	M8073BR-SS
M90 x 2.0	66.6-80	60	24	108	M9080BR-SS
M100 x 2.0	76-89	76	24	123	M10089BR-SS



# M型防折弯金属电缆固定头

Metric Type Metal Cable Glands with Bend-protection



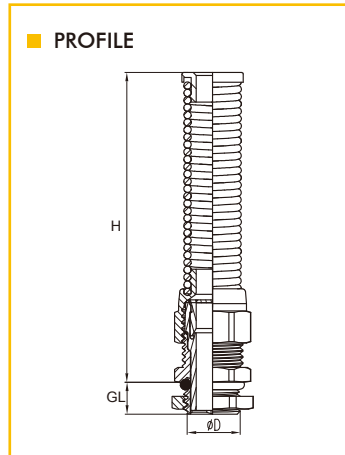
→ M CE IP68 RoHS REACH

材料: 黄铜镀镍	Material: Nickel-plated brass
固定连接组件: 采用UL认可的尼龙材料	Fixture material: PA (NYLON), UL 94 V-2
防水圈: 丁腈橡胶(可选EPDM, 硅橡胶, TPV等)	Seal: NBR (optional material EPDM, Silicone Rubber, TPV)
O型圈: EPDM (可选硅橡胶, TPV, 氟橡胶等)	O-Ring: EPDM (optional material, Silicone Rubber, TPV, FPM)
工作温度: -40°C至100°C	Working temperature: -40°C to 100°C

如需其他材料, 请垂询! Other material upon request.

O型圈默认预装! All O rings are pre-assembled as standard.

注: 主体密封圈可选用PTFE材质垫片 Note: The washer could be made by PTFE on request.



Thread ØD1	ØK mm	H mm	GL mm	U mm	Beisit No.
M12 x 1.5	3-6.5	55	6.5	14	M1207BRSR
M12 x 1.5	2-5	55	6.5	14	M1205BRSR
M16 x 1.5	4-8	66	6	17/19	M1608BRSR
M16 x 1.5	2-6	66	6	17/19	M1606BRSR
M16 x 1.5	5-10	77	6	20	M1610BRSR
M20 x 1.5	6-12	88	6	22	M2012BRSR
M20 x 1.5	5-9	88	6	22	M2009BRSR
M20 x 1.5	10-14	98	6	24	M2014BRSR
M25 x 1.5	13-18	111	7	30	M2518BRSR
M25 x 1.5	9-16	111	7	30	M2516BRSR
M32 x 1.5	18-25	133	8	40	M3225BRSR
M32 x 1.5	13-20	133	8	40	M3220BRSR
M40 x 1.5	22-32	133	8	50	M4032BRSR
M40 x 1.5	20-26	133	8	50	M4026BRSR
M50 x 1.5	32-38	144	9	57	M5038BRSR
M50 x 1.5	25-31	144	9	57	M5031BRSR
M63 x 1.5	37-44	144	10	64/68	M6344BRSR
M63 x 1.5	29-35	144	10	64/68	M6335BRSR



# PG型防折弯金属电缆固定头

PG Type Metal Cable Glands with Bend-protection



→ PG

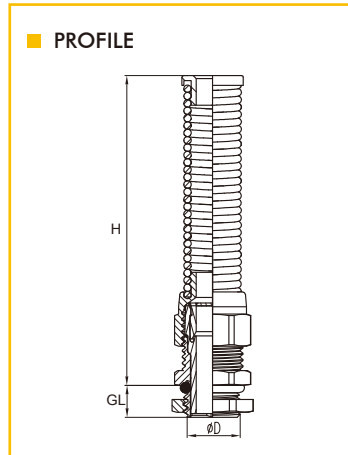
CE IP68 RoHS REACH

材料:	黄铜镀镍	Material:	Nickel-plated brass
固定连接组件:	采用UL认可的尼龙材料	Fixture material:	PA (NYLON), UL 94 V-2
防水圈:	丁腈橡胶(可选EPDM、硅橡胶、TPV等)	Seal:	NBR (optional material EPDM, Silicone Rubber, TPV)
O型圈:	EPDM (可选硅橡胶、TPV、氟橡胶等)	O-Ring:	EPDM (optional material, Silicone Rubber, TPV, FPM)
工作温度:	-40°C至100°C	Working temperature:	-40°C to 100°C

如需其他材料, 请垂询! Other material upon request.

O型圈默认预装! All O rings are pre-assembled as standard.

注: 主体密封圈可选用PTFE材质垫片 Note: The washer could be made by PTFE on request.



Thread ØD1	Øk mm	H mm	GL mm	U mm	Beisit No.
PG 7	3-6.5	55	5	14	P0707BRSR
PG 7	2-5	55	5	14	P0705BRSR
PG 9	4-8	66	6	17	P0908BRSR
PG 9	2-6	66	6	17	P0906BRSR
PG 11	5-10	77	6	20	P1110BRSR
PG 13.5	6-12	88	6.5	22	P13512BRSR
PG 13.5	5-9	88	6.5	22	P13509BRSR
PG 16	10-14	98	6.5	24	P1614BRSR
PG 21	13-18	111	7	30	P2118BRSR
PG 21	9-16	111	7	30	P2116BRSR
PG 29	18-25	133	8	40	P2925BRSR
PG 29	13-20	133	8	40	P2920BRSR
PG 36	22-32	133	8	50	P3632BRSR
PG 36	20-26	133	8	50	P3626BRSR
PG 42	32-38	144	9	57	P4238BRSR
PG 42	25-31	144	9	57	P4231BRSR
PG 48	37-44	144	10	64	P4844BRSR
PG 48	29-35	144	10	64	P4835BRSR





# M型/PG型双锁紧防折弯金属电缆固定头

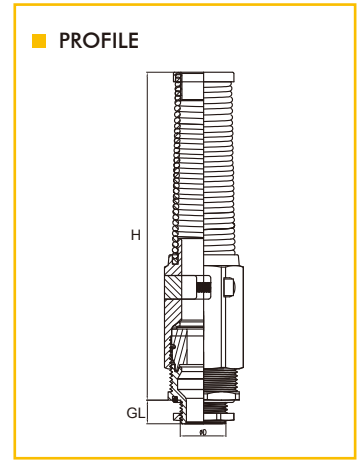
Metric Type/PG Type Metal Cable Glands with Bend-protection and Centric Strain Relief



→ M/PG CE IP68 RoHS REACH

材料: 黄铜镀镍	Material: Nickel-plated brass
防水圈: 硅橡胶 (可定制耐候橡胶)	Seal: Silicone(EPDM upon request)
O型圈: 硅橡胶 (可定制耐候橡胶)	O-Ring: Silicone,(EPDM upon request)
工作温度: -40°C至125°C	Working temperature: -40°C to 125°C

如需其他材料, 请垂询! Other material upon request.  
 O型圈默认预装! All O rings are pre-assembled as standard.  
 注: 主体密封圈可选用PTFE材质垫片 Note:The washer could be made by PTFE on request.



Thread ∅D1	∅K mm	H mm	GL mm	 mm	Beisit No.
M20 x 1.5	5-14	137	10	30	M2014BRSR-CSR
M25 x 1.5	9-16	137	7	30	M2516BRSR-CSR
M25 x 1.5	13-18	137	7	30	M2518BRSR-CSR
M32 x 1.5	17-21	154.5	8	40	M3221BRSR-CSR
M32 x 1.5	15-25	154.5	15	40	M3225BRSR-CSR
M40 x 1.5	20-32	181	15	50	M4032BRSR-CSR
M50 x 1.5	20-35	205	20	60	M5035BRSR-CSR
M50 x 1.5	26-42.3	205	20	60	M5043BRSR-CSR
M63 x 1.5	35-50	210	20	70	M6350BRSR-CSR
PG 16	5-14	137	10	30	P1614BRSR-CSR
PG 21	9-16	137	7	30	P2116BRSR-CSR
PG 21	13-18	137	7	30	P2118BRSR-CSR
PG 29	15-25	154.5	15	40	P2927BRSR-CSR
PG 36	20-32	181	15	50	P3632BRSR-CSR
PG 42	20-35	205	20	60	P4235BRSR-CSR
PG 42	26-42.3	205	20	60	P4243BRSR-CSR
PG 48	35-50	210	20	70	P4850BRSR-CSR



# 大锁紧范围金属电缆固定头

Metric/PG Type Metal Cable Glands With Wide Clamping Range

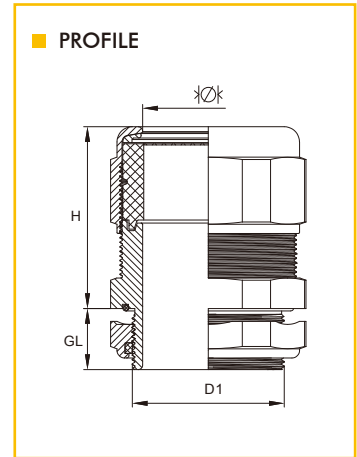


→ M/PG



材料: 黄铜镀镍	Material: Nickel-plated brass
防水圈: 硅橡胶 (可定制耐候橡胶)	Spring: Silicone (EPDM upon request)
O型圈: 耐候橡胶 (可定制硅橡胶)	O-Ring: EPDM (Silicone upon request)
工作温度: -40°C至125°C	Working temperature: -40°C to 125°C

注: 主体密封圈可选用PTFE材质垫片 Note: The washer could be made by PTFE on request.



Thread ØD1	∅mm	H mm	GL mm	mm	Beisit No.
M20 x 1.5	11-14	28	6	24	M20114BR-WCR
M20 x 1.5	5-14	35	10	30	M2014BR-WCR
M20 x 1.5	9-16	35	10	30	M2016BR-WCR
M25 x 1.5	9-16	35	7	30	M2516BR-WCR
M25 x 1.5	13-18	35	7	30	M2518BR-WCR
M32 x 1.5	16-20	36	8	34	M3220BR-WCR
M32 x 1.5	17-21	32.5	8	36	M3221BR-WCR
M32 x 1.5	15-25	46	15	40	M3225BR-WCR
M32 x 1.5	25-28	34	8	40	M3228BR-WCR
M40 x 1.5	20-32	49	15	50	M4032BR-WCR
M50 x 1.5	20-35	60	20	60	M5035BR-WCR
M50 x 1.5	26-42.3	60	20	60	M5043BR-WCR
M63 x 1.5	23-28	54	15	70	M6328BR-WCR
M63 x 1.5	45-50	54	15	70	M6350BR-WCR
M63 x 1.5	35-48	62	15	68	M6348BR-WCR
M85 x 2	54-64	62	15	95	M8564BR-WCR
PG 16	11-14	28	6	24	P16114BR-WCR
PG 16	5-14	35	10	30	P1614BR-WCR
PG 16	9-16	35	10	30	P1616BR-WCR
PG 21	9-16	35	7	30	P2116BR-WCR
PG 21	13-18	35	7	30	P2118BR-WCR
PG 29	15-25	46	15	40	P2925BR-WCR
PG 36	20-32	49	15	50	P3632BR-WCR
PG 42	20-35	60	20	60	P4235BR-WCR
PG 42	26-42.3	60	20	60	P4243BR-WCR
PG 42	28-45	61	20	64	P4245BR-WCR
PG 48	40-50	54	15	70	P4850BR-WCR
PG 48	35-48	62	20	68	P4848BR-WCR

专利产品仿冒必究 Patented product. 可为客户特殊定制 Special Customization is available. 六角螺母可互换无止退结构



# 双锁紧金属电缆固定头

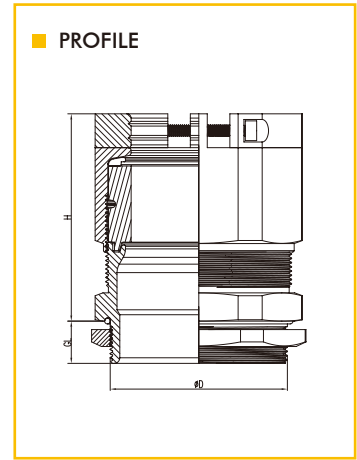
Metric/PG Type Brass Cable Glands With Centric Strain Relief



→ M/PG CE IP68 RoHS REACH

材料: 黄铜镀镍	Material: Nickel-plated brass
防水圈: 耐候橡胶, 硅胶	Seal: EPDM, Silicone
O型圈: 耐候橡胶	O-Ring: EPDM
工作温度: -40°C至125°C	Working temperature: -40°C to 125°C

注: 主体密封圈可选用PTFE材质垫片 Note: The washer could be made by PTFE on request.



Thread ØD1	Øk mm	H mm	GL mm	mm	Beisit No.
M25 x 1.5	9-16	45	7	30	M2516BR-CSR
M25 x 1.5	13-18	45	7	30	M2518BR-CSR
M32 x 1.5	16-20	46	8	34	M3220BR-CSR
M32 x 1.5	17-21	42.5	8	36	M3221BR-CSR
M32 x 1.5	15-25	56	15	40	M3225BR-CSR
M40 x 1.5	20-32	59	15	50	M4032BR-CSR
M50 x 1.5	20-35	70	20	60	M5035BR-CSR
M50 x 1.5	32-36	58	13	57/60	M5036BR-CSR
M50 x 1.5	35-39	58	13	57/60	M5039BR-CSR
M50 x 1.5	26-42.3	70	20	60	M5043BR-CSR
M63 x 1.5	35-48	74	15	68	M6348BR-CSR
PG 21	9-16	45	7	30	P2116BR-CSR
PG 21	13-18	45	7	30	P2118BR-CSR
PG 29	15-25	56	15	40	P2927BR-CSR
PG 36	20-32	59	15	50	P3632BR-CSR
PG 42	20-35	70	20	60	P4235BR-CSR
PG 42	26-42.3	70	20	60	P4243BR-CSR
PG 48	35-48	74	20	68	P4848BR-CSR

专利产品仿冒必究 Patented product. 可为客户特殊定制 Special Customization is available.



# 平口接头

Super Power Metal Cable Glands



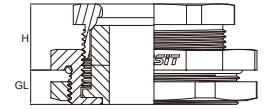
→ M

CE IP68 RoHS

材料: 黄铜镀镍  
 防水圈: 硅橡胶  
 O型圈: 硅橡胶  
 工作温度: -40°C至125°C

Material: Nickel-plated brass  
 Seal: Silicone Rubber  
 O-Ring: Silicone Rubber  
 Working temperature: -40°C to 125°C

## PROFILE



注: 主体密封圈可选用PTFE材质垫片 Note: The washer could be made by PTFE on request.



Thread ∅D1	∅D mm	H mm	GL mm	mm	Beisit No.
M36 x 1.5	22.5-23.5	12.5	5	36/40	M3623BR-ECOM
M40 x 1.5	21-23.5	16	5	40/43	M4023BR-ECOM
M50 x 1.5	16-18	19	10	43/55	M5018BR-ECOM

可为客户特殊定制 Special Customization is available.



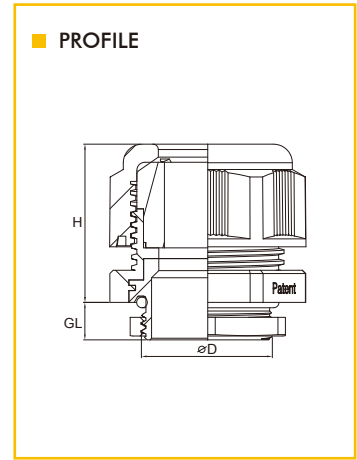
# M复合型电缆固定头

Metric Type Composite Cable Glands



→ M CE IP68 RoHS REACH

材料:	采用UL认可的尼龙材料 黄铜镀镍	Material:	PA (NYLON), UL 94 V-2 Nickel-plated brass
防水圈:	硅橡胶	Seal:	Silicone Rubber
O型圈:	硅橡胶	O-Ring:	Silicone Rubber
工作温度:	-40°C至125°C	Working temperature:	-40°C to 125°C
颜色种类:	灰色、黑色, 其他颜色可定做	Color:	Grey(RAL7035), Black(RAL9005), other colors customized.
材料种类:	V0或F1可定做	Material options:	V0, or F1 can be offered upon request.



Thread øD1	Φ mm	H mm	GL mm	Shield mm	Beisit No. RAL9005
* M12 x 1.5	4-6.5	21	6.5	19	BST-M1207B-BRT
* M12 x 1.5	3-5	21	6.5	19	BST-M1205B-BRT
* M16 x 1.5	8-10	25	6	22	BST-M1610B-BRT
* M16 x 1.5	6-8	25	6	22	BST-M1608B-BRT
M20 x 1.5	12-14	29	6	27	BST-M2014B-BRT
M20 x 1.5	10-12	29	6	27	BST-M2012B-BRT
M25 x 1.5	16-18	32	7	33	BST-M2518B-BRT
M25 x 1.5	13-16	32	7	33	BST-M2516B-BRT
M32 x 1.5	21-25	39	8	42	BST-M3225B-BRT
M32 x 1.5	17-21	39	8	42	BST-M3221B-BRT
M32 x 1.5	14-18	39	8	42	BST-M3218B-BRT
* M40 x 1.5	26-32	45	8	53	BST-M4032B-BRT
* M40 x 1.5	22-26	45	8	53	BST-M4026B-BRT
* M50 x 1.5	34-38	48	9	60	BST-M5038B-BRT
* M50 x 1.5	27-31	48	9	60	BST-M5031B-BRT
* M63 x 1.5	39-44	49	10	68	BST-M6344B-BRT
* M63 x 1.5	30-35	49	10	68	BST-M6335B-BRT

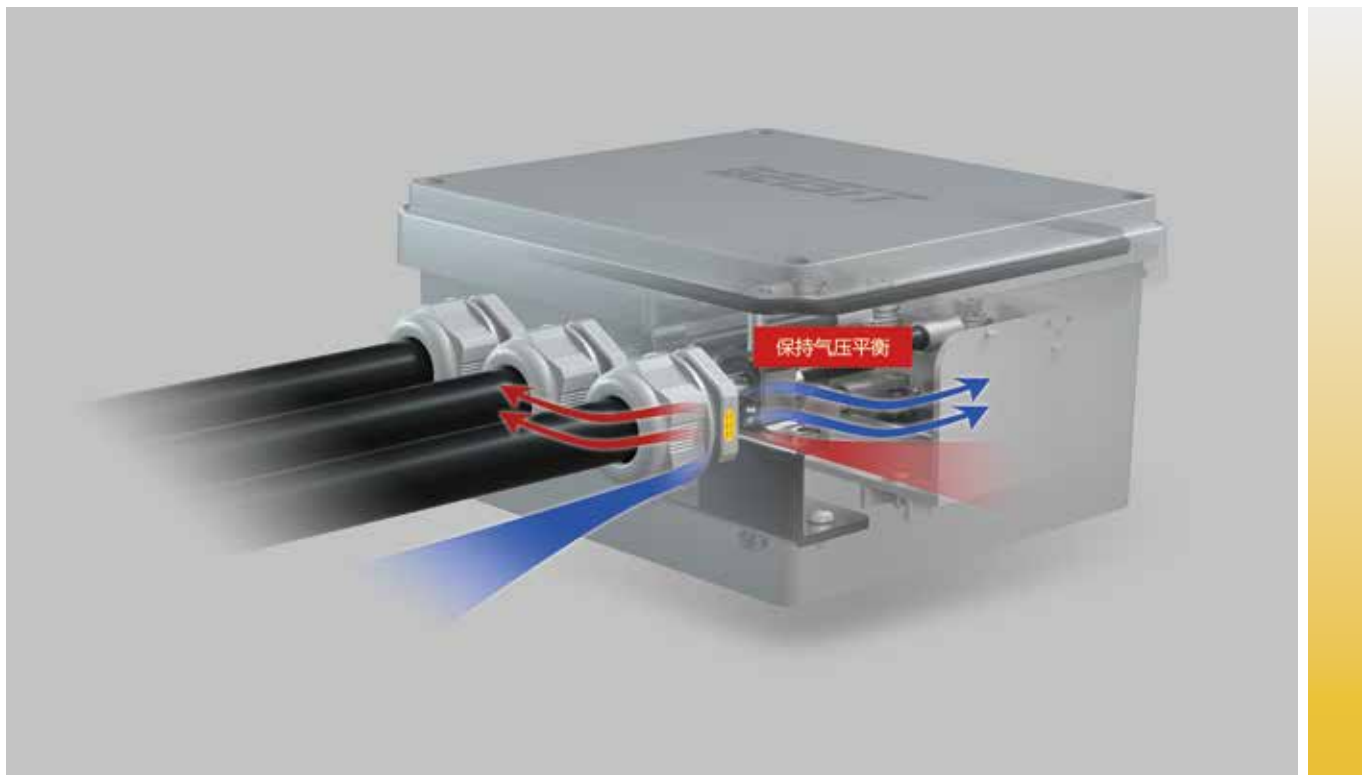
备注: 以上THREAD.Φ.Shield.H.GL.W尺寸可根据客户定制,\*表示没有现货  
REMARK: Dimension for Thread.Φ.Shield.H.GL.W can be customized, \* means Stock is not available





## 防水透气接头

Waterproof and Ventilation Glands



### 产品描述 Product description

- 防水透气接头将防水透气阀与电缆固定头合二为一，可同时满足平衡压力差和高防护等级，极大增加空间利用率，使您的产品更为小巧、美观。

Ventilation glands combined the advantages of cable glands and ventilation plug in one product. This allows balancing pressure between the internal side of an enclosure and the external environment, and such compensation is obtained by means of a semi-permeable membrane which allows passage of air, while preventing entrance of dust and liquid.

### 多种防水透气产品解决方案 A variety of waterproof and Ventilation product solutions

- 尼龙防水透气接头：可组合多种迫紧螺帽及多种异形防水圈，可满足不同行业、不同线缆、不同功能需求。  
Nylon Waterproof and Breathable Glands: can combine a variety of sealing nut and a variety of special-shaped seal, can meet the of different industries, different cables, different functions.
- 金属防水透气接头：坚固耐用，相较于尼龙产品，产品使用条件更为严苛，具有出色的耐候性、耐化学性、和耐腐蚀性。  
Waterproof and Breathable Metal Glands: durable. Compared with nylon products, the service conditions of the product are more stringent, with excellent durability, chemical resistance and corrosion resistance.

### 防水防尘透气接头的优点 Advantages of Waterproof, Dustproof and Ventilation Glands

- 安全：在箱体内部压力变化时可有效平衡壳内外压力差，提升箱体使用寿命。  
Safety: when the pressure inside the box changes, it can effectively balance the pressure difference inside and outside the shell and improve the service life of the box.
- 稳定：经受极端恶劣的环境条件仍可以保障良好的防水及透气性能。  
Stability: it can still ensure good waterproof and air permeability under extreme environmental conditions.
- 可靠：产品所选用材料具有良好的耐温性、抗紫外性及耐化学性。  
Reliable: the selected materials of the product have good temperature resistance, UV resistance and chemical resistance.
- 便捷：与常规电缆固定头安装方式相同，锁紧后即可使用，即可锁紧电缆也可达到防水透气。产品安装方便快捷。  
Convenient: same as conventional cable fixed head installation mode, can be used after locking, can lock cable can also achieve waterproof and breathable. Product installation is convenient and fast.

# M型防水防尘透气接头

Metric Type Waterproof, Dustproof and Breathable Glands



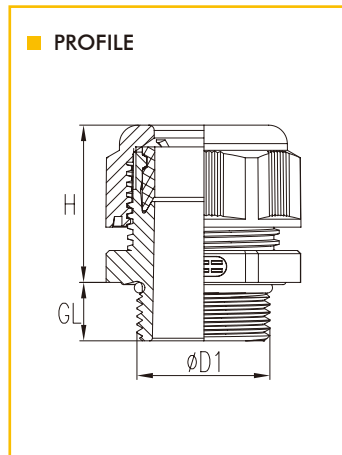
→ M

IP67 CE RoHS REACH

材料: 采用UL认可的尼龙材料	Material: PA(NYLON),UL94V-2
防水圈: EPDM(可选硅橡胶, TPV等)	Seal: EPDM (optional material Silicone Rubber ,TPV)
O型圈: EPDM(可选硅橡胶, TPV, 氟橡胶等)	O-Ring: EPDM (optional material,Silicone Rubber,TPV,FPM)
工作温度: -40℃至100℃	Working temperature: -40 C to100 C
颜色种类: 灰色、黑色, 其他颜色可定做	Color: Grey(RAL7035), Black(RAL9005), other colors customized.
材料种类: V0或F1可定做	Material options: V0, or F1 can be offered upon request.

如需其他材料或者颜色, 请垂询! Other material or Colors upon request.

O型圈默认预装! All O rings are pre-assembled as standard.



Thread ØD1	Øk mm	H mm	GL mm	W mm	Air Volume ml/min@70mbar	Beisit No.
M12 x 1.5	4-8	22	8	19	450	M1208B-VP-I
M16 x 1.5	4-8	22	8	19	450	M1608B-VP-I
M16 x 1.5	5-10	25	8	22	450	M1610B-VP-I
M20 x 1.5	6-12	27	9	24	450/900	M2012B-VP-I
M20 x 1.5	10-14	32	10	27	450/900	M2014B-VP-I
M25 x 1.5	13-18	31	11	33	450/900	M2518B-VP-I
M32 x 1.5	18-25	37	11	42	1500/3000	M3225B-VP-I
M40 x 1.5	20-26	48	13	53	1500/3000	M4026B-VP-I
M50 x 1.5	32-38	49	13	60	1500/3000	M5038B-VP-I
M63 x 1.5	30.5-40	49	14	65/68	1500/3000	M6340B-VP-I
M75 x 2.0	48-56	69	25	82	1500/3000	M7556B-VP-I

**备注:**

- 1.以上Thread φ D1、H、GL尺寸可根据客户需求定制。
- 2.上述透风量可根据客户要求进行调整, 详细参数敬请垂询。

**Remarks:**

- 1.Dimension for Thread. Φ.Shield.H.GL.W can be customized
- 2.The above air volume can be adjusted according to customer's requirements, please contact us for details



# M型防折弯防水防尘透气接头

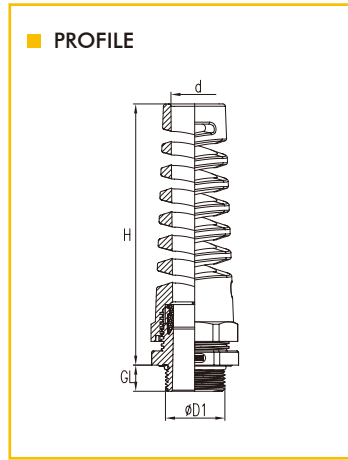
Metric Type Waterproof, Dustproof and Breathable Glands with Strain Relief



→ M IP67 CE RoHS REACH

材料: 采用UL认可的尼龙材料	Material: PA(NYLON),UL94V-2
防水圈: EPDM(可选硅橡胶, TPV等)	Seal: EPDM (optional material Silicone Rubber ,TPV)
O型圈: EPDM(可选硅橡胶, TPV, 氟橡胶等)	O-Ring: EPDM (optional material,Silicone Rubber,TPV,FPM)
工作温度: -40°C至100°C	Working temperature: -40 C to100 C
颜色种类: 灰色、黑色, 其他颜色可定做	Color: Grey(RAL7035), Black(RAL9005), other colors customized.
材料种类: V0或F1可定做	Material options: V0, or F1 can be offered upon request.

如需其他材料或者颜色, 请垂询! Other material or Colors upon request.  
O型圈默认预装! All O rings are pre-assembled as standard.



Thread ØD1	mm	H mm	GL mm	mm	Air Volume ml/min@70mbar	Beisit No.
M12 x 1.5	4-8	63	8	19	450	M1208SRB-VP-I
M16 x 1.5	4-8	63	8	19	450	M1608SRB-VP-I
M16 x 1.5	5-10	78	8	22	450	M1610SRB-VP-I
M20 x 1.5	6-12	90	9	24	450/900	M2012SRB-VP-I
M20 x 1.5	10-14	100	9	27	450/900	M2014SRB-VP-I
M25 x 1.5	13-18	114	11	33	450/900	M2518SRB-VP-I

**备注:**

- 1.以上Thread φD1、螺纹种类、H、GL、颜色、防水圈孔数及尺寸可根据客户需求定制,参考图片所示。
- 2.上述透风量可根据客户要求进行调整,详细参数敬请垂询。

**Remarks:**

- 1.Thread(D1), thread type, H, GL, color, hole qty & hole dia. of seal above can be customized. Refer to right picture.
- 2.The above air volume can be adjusted according to customer's requirements, please contact us for details



# M型金属防水防尘透气接头

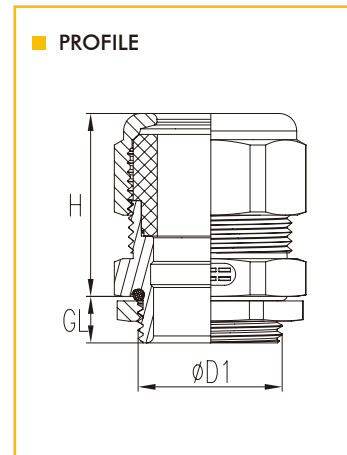
Metric Type Waterproof, Dustproof and Breathable Metal Glands



→ M IP67 CE RoHS REACH

材料: 镀镍黄铜、铝、不锈钢	Material: Nickel-plated brass, Aluminum, Stainless steel
防水圈: EPDM(可选硅橡胶, TPV等)	Seal: EPDM (optional material Silicone Rubber, TPV)
O型圈: EPDM(可选硅橡胶, TPV, 氟橡胶等)	O-Ring: EPDM (optional material, Silicone Rubber, TPV, FPM)
工作温度: -40°C至100°C	Working temperature: -40°C to 100°C

如需其他材料或者颜色, 请垂询! Other material or Colors upon request.  
O型圈默认预装! All O rings are pre-assembled as standard.



Thread ØD1	∅k mm	H mm	GL mm	 mm	Air Volume ml/min@70mbar	Beisit No.
M12 x 1.5	4-6.5	21	6.5	17	450	M1207BR-W-VP-I
M16 x 1.5	7-10	24	7	20	450	M1610BR-W-VP-I
M20 x 1.5	8-12	28.5	7	24	450/900	M2012BR-W-VP-I
M25 x 1.5	14-18	30	8	30	450/900	M2518BR-W-VP-I
M32 x 1.5	17-21	32	8	36	1500/3000	M3221BR-W-VP-I
M40 x 1.5	24-28	37.5	9	50	1500/3000	M4028BR-W-VP-I
M50 x 1.5	31-35.5	39.5	10	57	1500/3000	M5036BR-W-VP-I
M63 x 1.5	39-45	40	10	68	1500/3000	M6345BR-W-VP-I

**备注:**

1. 以上Thread ØD1、H、GL、防水圈孔数及尺寸可根据客户需求定制
2. 上述透风量可根据客户要求进行调整, 详细参数敬请垂询。

**Remarks:**

1. Remark: Thread(D1), H, GL, hole qty & hole dia. of seal above can be customized.
2. The above air volume can be adjusted according to customer's requirements, please contact us for details



防水防尘透气接头安装方式如下

对于薄板安装，薄板开孔尺寸建议参考产品规格书中参考开孔尺寸，安装方法如下：

- ①、拧开电缆固定头的六角螺母，放于箱体内部，主体及其他零件放于箱体外部。(如图1)
- ②、将主体螺牙插入箱体孔内，沿顺时针方向，使用扳手拧紧主体。(如图2)
- ③、将电缆沿迫紧螺帽轴向的方向转入箱体内部(方向如电缆上标注的箭头方向)。(如图3)
- ④、沿顺时针方向，使用扳手拧紧迫紧螺帽，夹紧电缆。(如图4)



图1

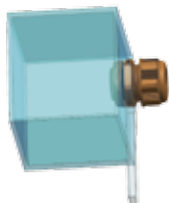


图2

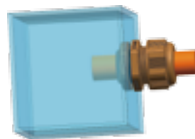


图3

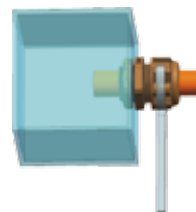


图4

对于螺纹孔安装时，螺纹口部建议倒角尺寸为0.5~1.0mm，安装方法如下：

- ①、用主体底部标准螺牙对准螺纹孔，用扳手以顺时针方向拧紧主体。(如图5和图6)
- ②、将电缆沿迫紧帽轴向的方向转入箱体内部(方向如电缆上标注的箭头方向)。(如图7)
- ③、沿顺时针方向，使用扳手拧紧迫紧螺帽，夹紧电缆。(如图8)



图1



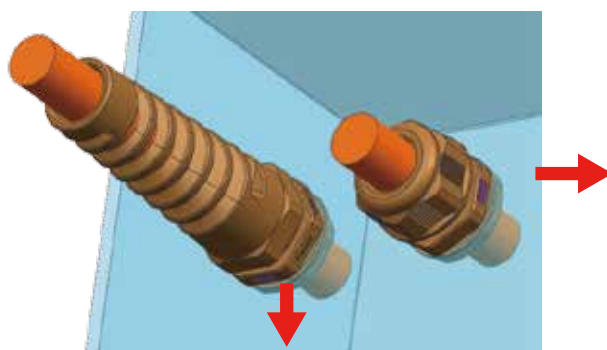
图2



图3



图4



推荐安装状态

经测试，通气孔积水完全蒸发时间约为35min。

## Installation Guide

The installation of the Waterproof and Breathable Glands is as follow

For thin plate installation, you are advised to refer to the recommended hole dimensions in the product design drawing. The installation method is as follows:

- ①. Unscrew the locknut, and place it inside the cabinet. Body and other parts are placed outside the cabinet. (Figure 1)
- ②. Insert the entry thread into the mounting hole, and tighten the body with a wrench in clockwise direction. (Figure 2)
- ③. Route the cable in the direction of the sealing nut into the axis of the housing (Refer to the arrow marked on the cable). (Figure 3)
- ④. Tighten the sealing nut to clamp the cable firmly in clockwise direction. (Figure 4)



Figure 1

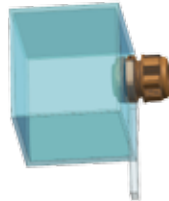


Figure 2

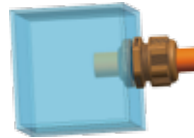


Figure 3

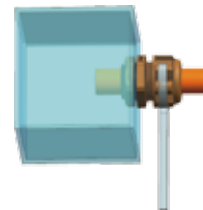


Figure 4

For in housing with threads installation, the recommended thread chamfer size is 0.5mm~1.0mm. Installation procedures are as follows:

- ①. Use the standard thread on the bottom of the body to align the threaded hole and tighten the body in clockwise direction. (Figures 5 and 6)
- ②. Route the cable in the direction of the sealing nut into the axis of the housing (Refer to the arrow marked on the cable). (Figure 7)
- ③. Tighten the sealing nut to clamp the cable firmly in clockwise direction. (Figure 8)

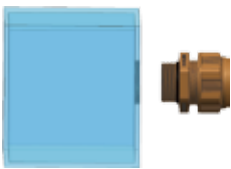


Figure 5



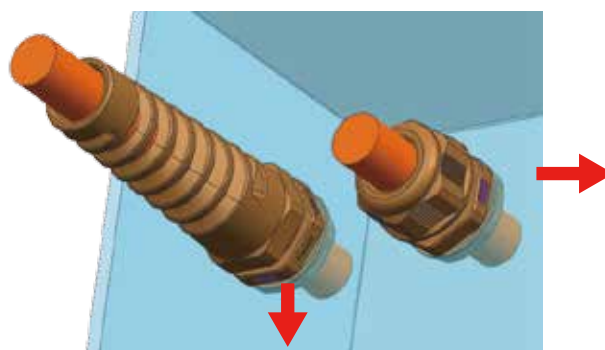
Figure 6



Figure 7



Figure 8



Recommended installation status

The water in the air vent will be evaporated completely within around 35min. after test.



## 防水透气阀 Ventilation Plug



### 产品描述 Product description

- 在经过多种严酷环境影响后，密封件经常会受到损伤而失效，导致壳体内部电子元件受外部污染所损伤。倍仕得防水透气产品可有效平衡压力并防止外界污染进入，使户外电子设备的安全性、可靠性大大增加，延长产品使用寿命。

After a variety of harsh environmental effects, seals are often damaged and fail, resulting in external contamination of the internal electronic components of the housing. BEISIT waterproof and breathable products can effectively balance pressure and prevent outside pollution from entering, greatly increasing the safety and reliability of outdoor electronic equipment and extending the service life of products.

### 应用领域 Application

- 轨道交通，新能源汽车，通讯基站，风力发电，太阳能光伏，电力电气，户外照明，安防设备，仪表 & 传感器，机械制造船舶港机，工业自动化。

Railway, New energy vehicles (NEV), Telecommunication station base (TBS), Wind energy, Solar energy, Electrical engineering, Outdoor lighting, Security system, Instruments & Sensors, Machinery building, Shipping & Port cranes, Industrial Automation.

### 防水透气阀的优点 Advantages of Ventilation Plug

- 安全：**在箱体内部压力变化时可有效平衡壳体内外压力差，提升箱体使用寿命。  
Safety: when the pressure inside the box changes, it can effectively balance the pressure difference inside and outside the shell and improve the service life of the box.
- 稳定：**经受极端恶劣的环境条件仍可以保障良好的防水及透气性能。  
Stability: it can still ensure good waterproof and air permeability under extreme environmental conditions.
- 可靠：**产品所选用材料具有良好的耐温性、抗紫外性及耐化学性。  
Reliable: the selected materials of the product have good temperature resistance, UV resistance and chemical resistance.
- 便捷：**采用螺纹结构，锁紧后即可使用。  
Convenient: threaded joint is adopted, which can be used after locking.

## 金属防水透气阀

Metal Ventilation Plug



→ M

IP67 CE RoHS REACH

材料: 镀镍黄铜、铝、不锈钢

Material: Nickel-plated brass, Aluminum, Stainless steel


O型圈: EPDM(可选硅橡胶, TPV, 氟橡胶等)

O-Ring: EPDM (optional material, Silicone Rubber, TPV, FPM)

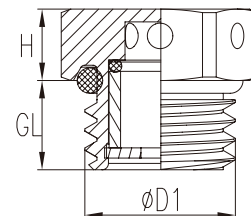
工作温度: -40°C至100°C

Working temperature: -40 C to 100 C

O型圈默认预装! All O rings are pre-assembled as standard.

Thread ∅D1	H mm	GL mm	 mm	Air Volume ml/min@70mbar	Beisit No.
M5 x 0.8	3.5	4	8	≥100	M5-VPBR
M12 x 1.5	5.6	7	14	≥2500	M12-VPBR

### PROFILE



## 尼龙防水透气阀

Nylon Ventilation Plug

→ M

IP67 CE RoHS REACH

材料: 采用UL认可的尼龙材料

Material: PA(NYLON), UL94V-2

防水圈: EPDM(可选硅橡胶, TPV等)

Seal: EPDM (optional material Silicone Rubber, TPV)

O型圈: EPDM(可选硅橡胶, TPV, 氟橡胶等)

O-Ring: EPDM (optional material, Silicone Rubber, TPV, FPM)

工作温度: -40°C至100°C

Working temperature: -40 C to 100 C

颜色种类: 灰色、黑色, 其他颜色可定做


Color: Grey(RAL7035), Black(RAL9005), other colors customized.

材料种类: V0或F1可定做

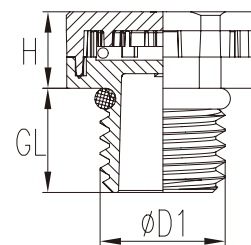
Material options: V0, or F1 can be offered upon request.

如需其他材料或者颜色, 请垂询! Other material or Colors upon request.

O型圈默认预装! All O rings are pre-assembled as standard.

Thread ∅D1	H mm	GL mm	 mm	Air Volume ml/min@70mbar	Beisit No.
M12 x 1.5	7.3	10	17	≥1600	M12-VPB-S
M24 x 1.5	8.8	12	30	≥13000	M24-VPB-S
M40 x 1.5	14.8	13	53	≥43300	M40-VPB-S

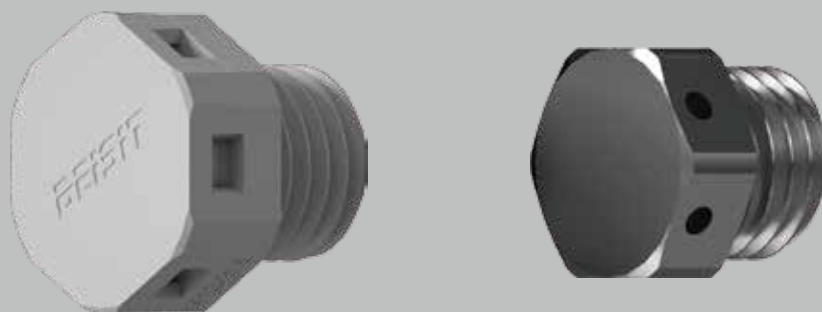
### PROFILE



备注: 以上THREAD. ∅. Shield. D1. H. GL尺寸可根据客户定制 Remarks: Dimension for Thread. ∅. Shield. H. GL. W can be customized



## 安装指南



金属或尼龙防水透气阀在安装时，应尽量保证安装在箱体两侧，便于内部积水排除，提升换气效率。

经测试，内部积水完全蒸发时间约为35min。

### 产品选型计算

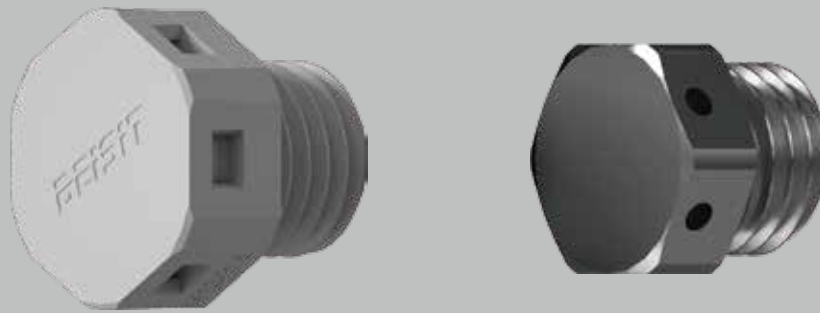
<p>产品选型要素</p>	<p>决定型号的三要素：透气量要求、防水要求、使用环境              影响透气量的因素：内部体积、温度变化、温度变化时间              密闭腔体气体平衡公式：  <math>P=V/T</math> / <math>P=</math>压强（单位 Mpa）  <math>V=</math>箱体内部气体体积(单位 L)  <math>T=273+</math>环境温度</p>
<p>选型举例</p>	<p>求解：腔体内温度从29℃上升至49℃透气阀需要排气的量              设压力平衡时  <math>P_0=P_1</math>  <math>P_0=V_0/T_0</math>  <math>P_1=V_1/T_1</math>              解：<math>V_0/T_0 = V_1/T_1</math>  <math>V_0 / (273+29) = V_1 / (273+49)</math>  <math>V_0/302=V_1/322</math>  <math>V_1=V_0*322/302=1.066*V_0</math></p>

设箱体内部体积为10L，加热后的空气体积为10.66L，故需要使用透气阀排出0.66L(660ml)空气。

M12-VP-S的透气量为 $\geq 1600\text{ml}/\text{min}@70\text{mbar}$  ASTM D 737。

若客户需求排气时间为1min，则所需透气阀数量为 $660/1/1600 \approx 0.41$ 。

向上取整，故每个箱体所需1个透气阀就可满足客户需求。



When installing the ventilation plug, try to ensure that it is installed on both sides of the box to facilitate the removal of internal water and improve air exchange efficiency.

The water in the air vent will be evaporated completely within around 35min. after test.

### Product selection calculation

<p><b>Product selection factors</b></p>	<p>Three factors determine the model: air permeability requirements, waterproof requirements, the use of the environment;          Factors affecting air permeability: internal volume, temperature change, temperature change time;          Gas balance formula for closed chamber:  <math>P = V/T</math> / <math>P =</math> pressure in Mpa  <math>V =</math> Volume of gas inside the box (unit L)  <math>T = 273 +</math> ambient temperature</p>
<p><b>Examples of selection</b></p>	<p>Solution: The amount of exhaust needed by the air vent valve when the temperature in the cavity rises from 29°C to 49°C.          Set pressure equilibrium  <math>P_0 = P_1</math>  <math>P_0 = V_0/T_0</math>  <math>P_1 = V_1 / T_1</math>          Solution: <math>V_0/T_0 = V_1/T_1</math>  <math>V_0 / (273 + 29) = V_1 / (273 + 49)</math>          Where <math>V_0/302 = V_1/322</math>  <math>V_1 = V_0 * 322 / 302 = 1.066 * V_0</math></p>

Suppose the internal volume of the box is 10L, so the volume of air after heating is 10.66L, and 0.66L (660MI) air needs to be discharged by the air vent valve.

The air vent of M12-VP-S is  $\geq 1600\text{MI} / \text{min} @ 70\text{mbar}$  ASTM D 737.

If the exhaust time required by the customer is 1min, the number of air vent valves required is  $660 / 1 / 1600 = 0.41$ , rounded up. Therefore, each box needs one air vent valve to meet customer requirements.

## 轨道交通专用软管快速接头

Special hose quick connection for rail transit



### 应用领域 Application Fields

- 主要应用于轨道交通、重型机械、自动化等工业领域  
Railway、heavy-duty machinery、industry automation etc

### 特点 Features

- 能满足IP65-IP68防护等级 IP65-IP68
- 尼龙包金属一体化设计 Nylon wrapped metal integrated design
- 适合产品动态应用 Designated for the applications between moving parts
- 适合任何类型的软管（细波纹可定制） Applicable to major type of conduits(Please check for smaller size conduit)
- 易于安装，优秀的抗拉伸强度 Easy for installation with high tensile strength
- 符合RoHS和Reach标准 RoHS&Reach compliance

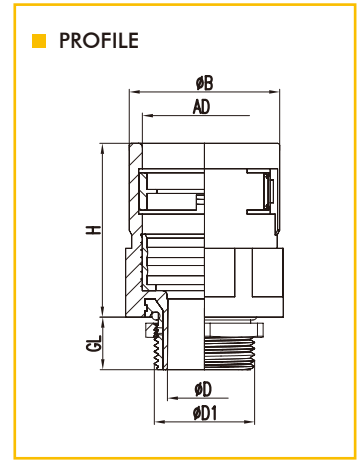
# 轨道交通专用软管快速接头

Special hose quick connection for rail transit



→ M CE RoHS REACH

材料: 采用UL认可的尼龙材料, 螺纹由黄铜镀镍	Material: Nickel-plated brass-thread
防水圈: 三元乙丙 (可选择硅橡胶)	Seal: EPDM(Silicone Upon Request)
O型圈: 三元乙丙 (可选择硅橡胶)	O-Ring: EPDM(Silicone Upon Request)
工作温度: -40°C至125°C	Working temperature: -40 C to125 C
颜色种类: 灰色、黑色, 其他颜色可定做	Color: Grey(RAL7035), Black(RAL9005), other colors customized.
孔数: 可根据要求定做	Number of holes: Could be customized
材料种类: V0或F1可定做	Material options: V0, or F1 can be offered upon request.



Thread ØD1	AD mm	ØD mm	H mm	GL mm	ØB mm	 mm	Beisit No. RAL7035 ●	Beisit No. RAL9005 ●
M12 x 1.5	13	7	27	10	19	19	BST-M12BR-S-13.0	BST-M12BRB-S-13.0
M16 x 1.5	15.8	9.5	29	10	23	23	BST-M16BR-S-15.8	BST-M16BRB-S-15.8
M20 x 1.5	21.2	13.5	33	10	30	30	BST-M20BR-S-21.2	BST-M20BRB-S-21.2
M25 x 1.5	28.5	18	43	13	37	36	BST-M25BR-S-28.5	BST-M25BRB-S-28.5
M32 x 1.5	34.5	25	44	13	44	46	BST-M32BR-S-34.5	BST-M32BRB-S-34.5
M40 x 1.5	42.5	32.5	58	13	55	55	BST-M40BR-S-42.5	BST-M40BRB-S-42.5
M50 x 1.5	54.5	38	58	14	68	63	BST-M50BR-S-54.5	BST-M50BRB-S-54.5





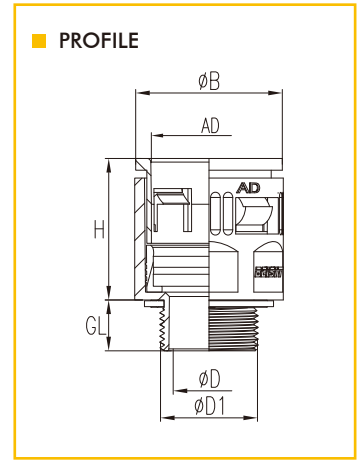
# M型尼龙软管快速接头

Metric Type Fast-Fit Straight Conduit Fittings



→ M CE RoHS REACH

材料: 采用UL认可的尼龙材料	Material: PA (NYLON), UL 94 V-2
防水圈: 耐候橡胶	Seal: EPDM
O型圈: 耐候橡胶	O-Ring: EPDM
工作温度: -40°C至125°C	Working temperature: -40°C to 125°C
颜色种类: 灰色、黑色、其他颜色可定做	Color: Grey(RAL7035), Black(RAL9005), other colors customized.
防护等级: IP67	Protection Degree: IP67
材料种类: V0或F1可定做	Material options: V0, or F1 can be offered upon request.



Thread $\phi D1$	AD mm	$\phi D$ mm	H mm	GL mm	$\phi B$ mm	 mm	Beisit No. RAL7035 ●	Beisit No. RAL9005 ●
M12 x 1.5	10	7.5	23.5	11.5	17	15.5	BST-M12-10	BST-M12B-10
M16 x 1.5	13	10	26	11.5	20	18	BST-M16-13.0	BST-M16B-13.0
M16 x 1.5	15.8	11	28	11.5	23	21	BST-M16-15.8	BST-M16B-15.8
M20 x 1.5	15.8	12	28	13	23	21	BST-M20-15.8	BST-M20B-15.8
M20 x 1.5	18.5	14	30.5	13	26.5	24	BST-M20-18.5	BST-M20B-18.5
M20 x 1.5	21.2	15	31.5	13	29.5	27	BST-M20-21.2	BST-M20B-21.2
M25 x 1.5	21.2	17	31.5	13	29.5	27	BST-M25-21.2	BST-M25B-21.2
M25 x 1.5	25.5	20	34.5	13	34.5	32	BST-M25-25.5	BST-M25B-25.5
M25 x 1.5	28.5	20	34	13	38	35	BST-M25-28.5	BST-M25B-28.5
M32 x 1.5	28.5	23.5	34	15	38	35	BST-M32-28.5	BST-M32B-28.5
M32 x 1.5	34.5	25.5	36	15	44	41	BST-M32-34.5	BST-M32B-34.5
M40 x 1.5	34.5	29	36	15	44	41	BST-M40-34.5	BST-M40B-34.5
M40 x 1.5	42.5	33	37	15	52	50	BST-M40-42.5	BST-M40B-42.5
M50 x 1.5	54.5	43	49	17	68	65	BST-M50-54.5	BST-M50B-54.5
M63 x 1.5	54.5	48	49	17	68	65	BST-M63-54.5	BST-M63B-54.5

专利产品 Patented product.



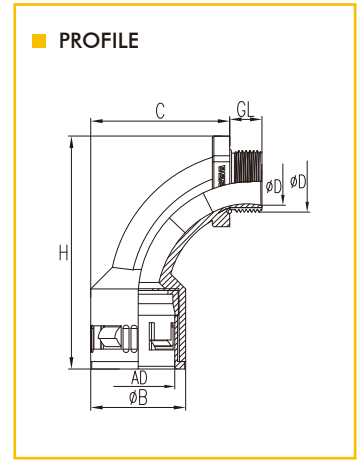
# M型90°尼龙软管快速接头

Metric Type 90 degree Elbow conduit Fitting



→ M CE RoHS REACH IP68

材料: 采用UL认可的尼龙材料	Material: PA (NYLON), UL 94 V-2
防水圈: 耐候橡胶	Seal: EPDM
垫片: 耐候橡胶	Gasket: EPDM
工作温度: -40°C至125°C	Working temperature: -40°C to 125°C
颜色种类: 灰色、黑色, 其他颜色可定做	Color: Grey(RAL7035), Black(RAL9005), other colors customized.
材料种类: V0或F1可定做	Material options: V0, or F1 can be offered upon request.



Thread ØD1	AD mm	ØD mm	GL mm	C mm	 mm	H mm	ØB mm	Beisit No. RAL7035	Beisit No. RAL9005
M16 x 1.5	15.8	10	13	34	22	66	23	BST-RM16-15.8	BST-RM16B-15.8
M20 x 1.5	18.5	14	13	35.5	24	71	26.5	BST-RM20-18.5	BST-RM20B-18.5
M20 x 1.5	21.2	14	13	37	24	72	29.5	BST-RM20-21.2	BST-RM20B-21.2
M25 x 1.5	21.2	17.5	13	37	28	74	29.5	BST-RM25-21.2	BST-RM25B-21.2
M25 x 1.5	28.5	17.5	13	56	32	93	38	BST-RM25-28.5	BST-RM25B-28.5
M32 x 1.5	34.5	23	15	62	42	112	44	BST-RM32-34.5	BST-RM32B-34.5
M40 x 1.5	42.5	30.5	15	66	50	116	52	BST-RM40-42.5	BST-RM40B-42.5

专利产品 Patented product.



# M型/PG型/NPT型金属螺纹尼龙软管快速接头

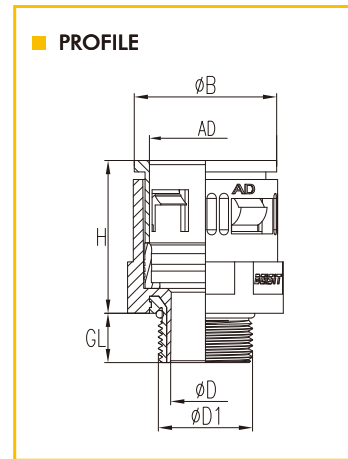
Metric Type/PG Type/NPT Type Fast-Fit Straight Conduit Fittings With Metal External Thread



→ M/PG/NPT



材料: 采用UL认可的尼龙材料/黄铜镀镍	Material: PA (NYLON), UL 94 V-2 / Nickel-plated brass
防水圈: 耐候橡胶	Seal: EPDM
O型圈: 耐候橡胶	O-Ring: EPDM
工作温度: -40°C至125°C	Working temperature: -40°C to 125°C
颜色种类: 灰色、黑色、其他颜色可定做	Color: Grey(RAL7035), Black(RAL9005), other colors customized.
材料种类: V0或F1可定做	Material options: V0, or F1 can be offered upon request.



Thread ØD1	AD mm	ØD mm	H mm	GL mm	ØB mm	 mm	Beisit No. RAL7035	Beisit No. RAL9005
M12 x 1.5	13	7	30	10	20	22	BST-M12BR-13.0	BST-M12BRB-13.0
M16 x 1.5	13	10	30	11.5	20	22	BST-M16BR-13.0	BST-M16BRB-13.0
M16 x 1.5	15.8	10	32	11.5	23	25	BST-M16BR-15.8	BST-M16BRB-15.8
M18 x 1.5	13	10	30	11.5	20	22	BST-M18BR-13.0	BST-M18BRB-13.0
M18 x 1.5	21.2	12	36	13	29.5	31	BST-M18BR-21.2	BST-M18BRB-21.2
M20 x 1.5	15.8	13	32	13	23	25	BST-M20BR-15.8	BST-M20BRB-15.8
M20 x 1.5	18.5	14	34	13	26.5	27	BST-M20BR-18.5	BST-M20BRB-18.5
M20 x 1.5	21.2	14	36	13	29.5	31	BST-M20BR-21.2	BST-M20BRB-21.2
M25 x 1.5	21.2	16	36	13	29.5	31	BST-M25BR-21.2	BST-M25BRB-21.2
M25 x 1.5	25.5	18	39	13	34.5	35	BST-M25BR-25.5	BST-M25BRB-25.5
M25 x 1.5	28.5	18	38	13	38	38	BST-M25BR-28.5	BST-M25BRB-28.5
M32 x 1.5	28.5	23	38	15	38	38	BST-M32BR-28.5	BST-M32BRB-28.5
M32 x 1.5	34.5	24	41	15	44	46	BST-M32BR-34.5	BST-M32BRB-34.5
M40 x 1.5	34.5	29	41	17	44	46	BST-M40BR-34.5	BST-M40BRB-34.5
M40 x 1.5	42.5	32	44	17	52	55	BST-M40BR-42.5	BST-M40BRB-42.5
M50 x 1.5	42.5	36	44	17	52	55	BST-M50BR-42.5	BST-M50BRB-42.5
PG 16	21.2	14	36	13	29.5	31	BST-P16BR-21.2	BST-P16BRB-21.2
PG 21	28.5	19	38	13	38	38	BST-P21BR-28.5	BST-P21BRB-28.5
PG 29	34.5	27	41	15	44	46	BST-P29BR-34.5	BST-P29BRB-34.5
1/4"NPT	15.8	6.5	32	10	23	25	BST-N14BR-15.8	BST-N14BRB-15.8
1/2"NPT	21.2	14	36	13	29.5	31	BST-N12BR-21.2	BST-N12BRB-21.2
3/4"NPT	28.5	18	38	13	38	38	BST-N34BR-28.5	BST-N34BRB-28.5



# M型90°金属螺纹尼龙软管快速接头

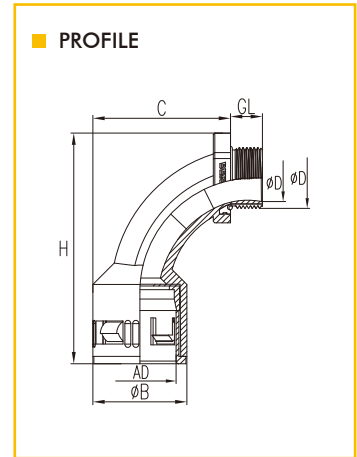
Metric Type 90 degree Elbow conduit Fitting with metal External Thread



→ M CE RoHS REACH IP68

材料: 尼龙和黄铜镀镍  
 防水圈: 耐候橡胶  
 O型圈: 耐候橡胶  
 工作温度: -40°C至125°C  
 颜色种类: 灰色、黑色,  
 其他颜色可定做  
 材料种类: V0或F1可定做

Material: Nickel-Plated Brass  
 Seal: EPDM  
 O-Ring: EPDM  
 Working temperature: -40°C to 125°C  
 Color: Grey(RAL7035), Black(RAL9005),  
 other colors customized.  
 Material options: V0, or F1 can be offered upon request



Thread ØD1	AD mm	ØD mm	GL mm	C mm	H mm	ØB mm	Beisit No. RAL7035	Beisit No. RAL9005
M16 x 1.5	13	8	11.5	30.5	22.5	60	BST-RM16BR-13.0	BST-RM16BRB-13.0
M20 x 1.5	21.2	12	13	36	26.5	73.5	BST-RM20BR-21.2	BST-RM20BRB-21.2
M25 x 1.5	28.5	16	13	56	33	94	BST-RM25BR-28.5	BST-RM25BRB-28.5
M32 x 1.5	34.5	24	14	62.5	40	100.5	BST-RM32BR-34.5	BST-RM32BRB-34.5
M40 x 1.5	42.5	31	17	66.5	49	111	BST-RM40BR-42.5	BST-RM40BRB-42.5



# M型防水软管接头

MG Type Waterproof Flexible Conduit Fittings

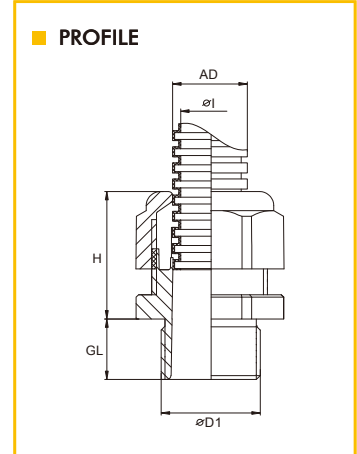


→ M

CE RoHS REACH IP68

材料: 采用UL认可的尼龙材料  
 防水圈: 耐候橡胶  
 垫片: 耐候橡胶  
 工作温度: -40°C至100°C  
 颜色种类: 灰色、黑色, 其他颜色可定做  
 材料种类: V0或F1可定做

Material: PA (NYLON), UL 94 V-2  
 Seal: EPDM  
 Washer: EPDM  
 Working temperature: -40°C to 100°C  
 Color: Grey(RAL7035), Black(RAL9005), other colors customized.  
 Material options: V0, or F1 can be offered upon request.



Thread øD1	AD mm	H mm	GL mm	∅ <sub>1</sub> mm	∅ <sub>2</sub> mm	Beisit No. grey	Beisit No. black
MG 16	10	25	15	6.5	22	M16G/AD10	M16B/AD10
MG 20	13	28	15	9	27	M20G/AD13	M20B/AD13
MG 25	18.5	31	15	14	33	M25G/AD18.5	M25B/AD18.5
MG 32	25	39	15	20	42	M32G/AD25	M32B/AD25
MG 63	42.5	49	24	37	68	M63G/AD42.5	M63B/AD42.5





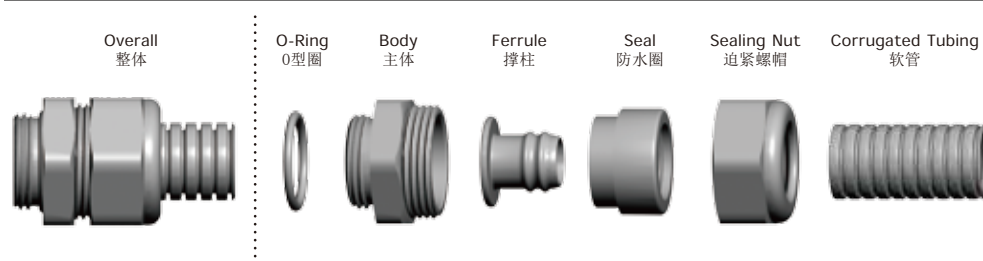
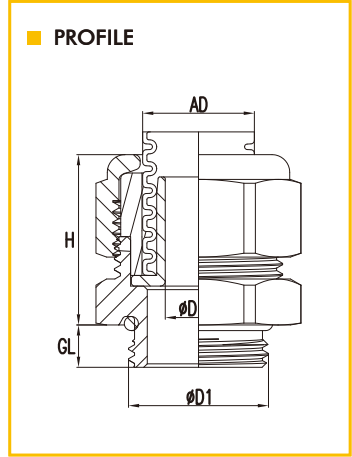
# M型金属软管接头

Metric Type Metal Conduit Fittings With Increased Watertightness



→ M CE RoHS IP68

材料: 黄铜镀镍	Material: Nickel-Plated Brass
密封圈: 硅橡胶	Sealing: Silicone Rubber
O型圈: 硅橡胶 (PANTONE187C)	O Ring: Silicone Rubber Pantone 187C
工作温度: -40~125°C	Working Temperature: -40~125°C



Thread ØD1	AD mm	ØK mm	H mm	GL mm	SW mm	Beisit No.	Article No.
M12 x 1.5	13	6.5	19	6.5	22	BST-M12BR-R-13.0	1.162.1201.0011
M16 x 1.5	13	7	19	7	22	BST-M16BR-R-13.0	1.162.1601.0011
M16 x 1.5	15.8	9.5	22	7	26	BST-M16BR-R-15.8	1.162.1601.4011
M20 x 1.5	15.8	9.5	24	7	26	BST-M20BR-R-15.8	1.162.2001.0011
M20 x 1.5	21.2	13.5	24.5	7	32	BST-M20BR-R-21.2	1.162.2001.4011
M25 x 1.5	21.2	13.5	24.5	7	32	BST-M25BR-R-21.2	1.162.2501.0011
M25 x 1.5	28.5	19	26	7	40	BST-M25BR-R-28.5	1.162.2501.4011
M32 x 1.5	28.5	19	26	8	40	BST-M32BR-R-28.5	1.162.3201.0011
M32 x 1.5	34.5	24.5	26	8	45	BST-M32BR-R-34.5	1.162.3201.4011
M40 x 1.5	34.5	24.5	24.5	9	45	BST-M40BR-R-34.5	1.162.4001.0011
M40 x 1.5	42.5	33	31.5	9	55	BST-M40BR-R-42.5	1.162.4001.4011
M50 x 1.5	42.5	33	31.5	9	55	BST-M50BR-R-42.5	1.162.5001.0011
M50 x 1.5	54.5	44	31.5	9	68	BST-M50BR-R-54.5	1.162.5001.4011
M63 x 1.5	54.5	44	31.5	10	68	BST-M63BR-R-54.5	1.162.6301.0011

专利产品 Patented product.





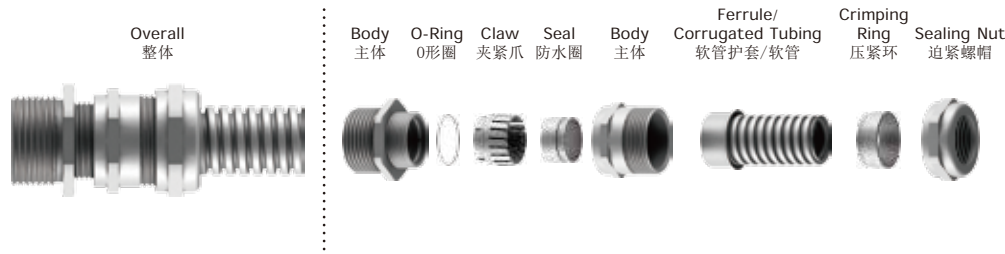
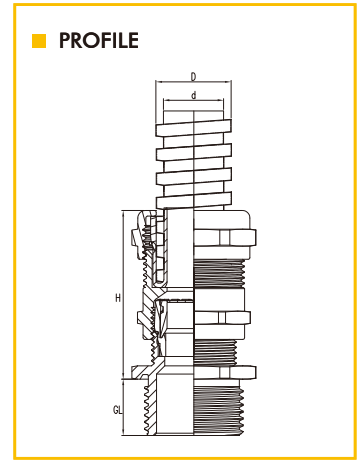
# M型包塑金属软管接头

Metric Type Metal Conduit Fittings for PVC Coated Conduit



→ M REACH CE RoHS

材料:	黄铜镀镍	Material:	Nickel-plated Brass
固定连接组件:	采用UL认可的尼龙材料	Fixture material:	UL approved PA
防水圈:	丁腈橡胶 (可用EPDM、硅橡胶、TPV等)	Seal:	NBR (or EPDM, silicone rubber, TPV, etc. upon your request)
O型圈:	EPDM(可用硅橡胶、TPV、氟橡胶等)	O Ring:	EPDM (or silicone rubber, TPV, FPM etc. upon your request)
工作温度:	-10°C~80°C	Working Temperature:	-10°C~80°C



Thread øD1	mm	d mm	OD and tolerance mm	GL mm	mm	Beisit No.	Article No.
M10 x 1.5	2~5	6	8.5±0.25	6.5	14	BST-M1005BR-06	1.163.1001.0000
M12 x 1.5	2~5	6	8.5±0.25	6.5	14	BST-M1205BR-06	1.163.1201.0000
M16 x 1.5	2~5	6	8.5±0.25	6	14/17	BST-M1605BR-06	1.163.1601.0000
M16 x 1.5	4~7	8	10.6±0.30	6	17/20	BST-M1607BR-08	1.163.1631.0000
M20 x 1.5	4~7	8	10.6±0.30	6	20/22	BST-M2007BR-08	1.163.2001.0000
M18 x 1.5	5~10	13	16.5±0.35	6	22/24	BST-M1810BR-13	1.163.1801.0000
M20 x 1.5	5~10	13	16.5±0.35	6	22/24	BST-M2010BR-13	1.163.2031.0000
M22 x 1.5	5~10	13	16.5±0.35	6	22/24	BST-M2210BR-13	1.163.2201.0000
M24 x 1.5	5~10	13	16.5±0.35	6	22/30	BST-M2410BR-13	1.163.2401.0000
M20 x 1.5	10~14	16	19.5±0.35	7	24	BST-M2014BR-16	1.163.2091.0000
M22 x 1.5	10~14	16	19.5±0.35	7	24/30	BST-M2214BR-16	1.163.2231.0000
M24 x 1.5	10~14	16	19.5±0.35	8	30	BST-M2414BR-16	1.163.2431.0000
M25 x 1.5	10~14	16	19.5±0.35	8	30	BST-M2514BR-16	1.163.2501.0000
M27 x 1.5	10~14	16	19.5±0.35	8	30	BST-M2714BR-16	1.163.2701.0000



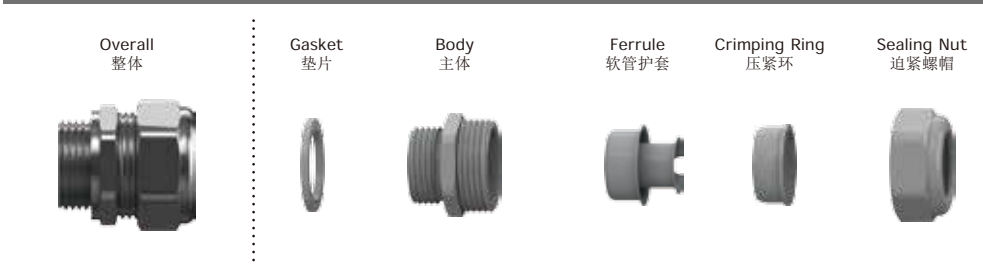
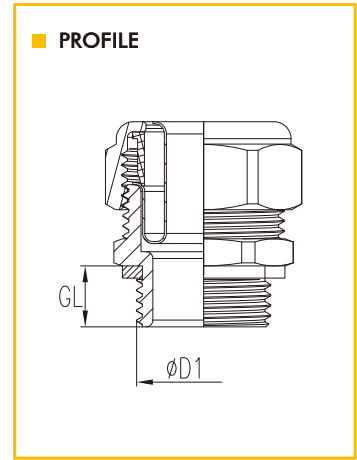
# M型包塑金属软管接头

Metric Type Metal Conduit Fittings for PVC Coated Conduit



→ M CE RoHS

材料: 黄铜镀镍 Material: Nickel-Plated Brass  
 垫片: EPDM (可选硅橡胶, TPV,氟橡胶) Gasket: EPDM (optional material, Silicone Rubber, TPV,FPM)  
 工作温度: -40°C-100°C Working temperature: -40°C to100°C



Thread ØD1	conduit size mm	conduit size Inch	GL mm	 mm	Beisit No.	Article No.
M12 x 1.5	6	3/16"	6.5	17	BST-M12BR-R-06	1.168.1201.0057
M16 x 1.5	8	1/4"	7	20	BST-M16BR-R-08	1.168.1601.0057
M16 x 1.5	10	5/16"	7	24/22	BST-M16BR-R-10	1.168.1631.0057
M20 x 1.5	12	3/8"	7	26/24	BST-M20BR-R-12	1.168.2001.0057
M20 x 1.5	15	1/2"	7	30	BST-M20BR-R-15	1.168.2031.0057
M25 x 1.5	16	1/2"	8	30	BST-M25BR-R-16	1.168.2501.0057
M25 x 1.5	20	3/4"	8	36/34	BST-M25BR-R-20	1.168.2531.0057
M32 x 1.5	20	3/4"	8	36	BST-M32BR-R-20	1.168.3201.0057
M32 x 1.5	25	1"	8	43	BST-M32BR-R-25	1.168.3231.0057
M40 x 1.5	32	1 1/4"	9	52/50	BST-M40BR-R-32	1.168.4001.0057
M50 x 1.5	38	1 1/2"	10	60/57	BST-M50BR-R-38	1.168.5001.0057
M63 x 1.5	51	2"	10	75	BST-M63BR-R-51	1.168.6301.0057

PG、G(PF)、NPT加长型都可做。  
 PG、G(PF)、NPT Type and Longer thread version Can be offered Unpon Request.



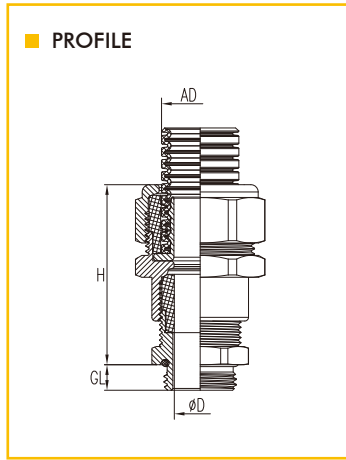
# M型双锁紧金属软管电缆固定头

Metric Type Metal Conduit fitting with Increased Water tightness and Cable Grip



→ M CE RoHS IP68

材料: 黄铜镀镍	Material: Nickel-Plated Brass
密封圈: 硅橡胶	Sealing: Silicone Rubber
O型圈: 硅橡胶 (PANTONE187C)	O Ring: Silicone Rubber Pantone 187C
工作温度: -40~125°C	Working Temperature: -40~125°C



Thread ØD1	ØD mm	H mm	GL mm	 mm	AD mm	Beisit No.	Article No.
M16 x 1.5	4-6	39.5	7	22/20	13	M1606BR-W-AD13.0	1.167.1601.6031
M16 x 1.5	4.5-6.5	39.5	7	22/20	13	M1607BR-W-AD13.0	1.167.1601.5031
M16 x 1.5	6.5-9.5	42.5	7	26/20	15.8	M1610BR-W-AD15.8	1.167.1601.0031
M20 x 1.5	6.5-9.5	44	7	26/22	15.8	M2010BR-W-AD15.8	1.167.2001.0031
M20 x 1.5	8-12	47.5	7	30/24	18.5	M2012BR-W-AD18.5	1.167.2031.5031
M20 x 1.5	8-12	49.5	7	32/24	21.2	M2012BR-W-AD21.2	1.167.2031.2031
M20 x 1.5	9-13	49.5	7	32/24	21.2	M2013BR-W-AD21.2	1.167.2031.0031
M25 x 1.5	8-12	49.5	8	32/30	21.2	M2512BR-W-AD21.2	1.167.2501.2031
M25 x 1.5	9-13	49.5	8	32/30	21.2	M2513BR-W-AD21.2	1.167.2501.0031
M25 x 1.5	14-18	52	8	36/30	25.5	M2518BR-W-AD25.5	1.167.2501.5031
M25 x 1.5	14-18	53	8	40/30	28.5	M2518BR-W-AD28.5	1.167.2531.0031
M32 x 1.5	14-18	54	8	40/36	28.5	M3218BR-W-AD28.5	1.167.3201.0031
M32 x 1.5	17-21	53	8	45/40	34.5	M3221BR-W-AD34.5	1.167.3231.0031
M40 x 1.5	21-26	64.5	9	55/50	42.5	M4026BR-W-AD42.5	1.167.4031.2031
M40 x 1.5	24-28	64.5	9	55/50	42.5	M4028BR-W-AD42.5	1.167.4031.5031
M40 x 1.5	25-30	64.5	9	55/50	42.5	M4030BR-W-AD42.5	1.167.4031.0031
M50 x 1.5	36-40	67	10	68/57	54.5	M5040BR-W-AD54.5	1.167.5001.0031
M63 x 1.5	39-43	67.5	10	68	54.5	M6343BR-W-AD54.5	1.167.6301.0031



# 包塑金属软管

PVC Coated Metal Conduit



→ Metallic IP68 REACH CE RoHS

**材料:** 内层采用高级热镀锌钢带, 外层采用PVC原料 (抗紫外线、防老化、阻燃、环保)

**颜色:** 黑色、灰色、其他定制颜色

**温度:** -10°C~80°C

**特性:**

1. 极佳防水性、绝缘性、抗拉性。
2. 表面采用PVC材料, PVC 塑料中添加了防火阻燃剂。
3. 不易折断变形。
4. 弯曲性能好, 内部平滑构造在穿引电线电缆时极容易。

**应用场合:** 铁路、机车、交通系统工程, 空调、各种机械、自动化控制设备、发电厂、化工, 输配电系统、船舶、大厦, 厂房内及屋内外露出部分之配线保护。

**Material:** The inner layer made of high-grade hot galvanized steel belt The outer layer made of PVC raw materials (UV, resistance, anti-aging, flame retardant, environmental protection)

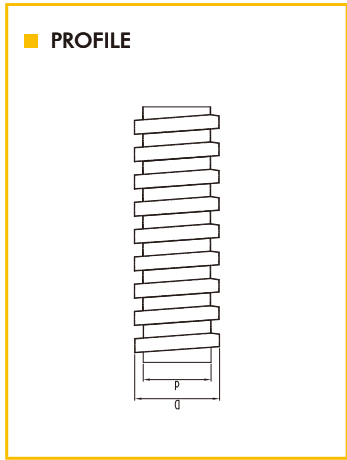
**Color:** black, gray, or other colors upon request

**Temperature Range:** -10 C ~ 80 C

**Features:**

1. Excellent water resistance, insulation, pull resistance.
2. Coating is made of PVC with fire retardance.
3. Flexible, not easy to break or deformation.
4. Good bending performance, smooth internal construction, easy to put through wires and cables.

**Applications:** Wiring protection in Railways, Locomotives, Traffic systems engineering, Air conditioning, Various machinery, Automation control equipment, Power plants, Chemicals, Transmission and distribution systems, shipping, Buildings, plant and so on.



conduit size mm	conduit size Inch	OD and tolerance mm	PU m	Natural Bend Radius mm	Max. Axial Tension Force N	Beisit No.	Article No.
φ 6	3/16"	8.5±0.25	100	40	335	PVC-CMC-006	2.097.0603.09
φ 8	1/4"	10.6±0.3	100	45	470	PVC-CMC-008	2.097.0803.11
φ 10	5/16"	13.0±0.3	100	55	590	PVC-CMC-010	2.097.1003.11
φ 12	3/8"	15.5±0.35	100	60	710	PVC-CMC-012	2.097.1203.16
φ 15	1/2"	18.5±0.35	100	80	885	PVC-CMC-015	2.097.1503.19
φ 19	3/4"	22.5±0.40	50	95	1120	PVC-CMC-019	2.097.1903.23
φ 20	3/4"	23.5±0.40	50	100	1180	PVC-CMC-020	2.097.2003.24
φ 25	1"	28.5±0.45	50	120	1450	PVC-CMC-025	2.097.2503.29
φ 32	1 1/4"	37.0±0.50	25	150	1885	PVC-CMC-032	2.097.3203.37
φ 38	1 1/2"	43.5±0.60	25	180	2240	PVC-CMC-038	2.097.3803.44
φ 51	2"	58.0±1.00	20	220	3000	PVC-CMC-051	2.097.5103.58
φ 64	2 1/2"	71.0±1.50	10	310	3770	PVC-CMC-064	2.097.6403.71
φ 75	3"	82.0±2.00	10	350	4400	PVC-CMC-075	2.097.7503.82
φ 100	4"	109.0±3.00	10	410	4700	PVC-CMC-100	2.097.1073.11
φ 125	5"	135.0±4.00	5	480	5100	PVC-CMC-125	2.097.1373.14
φ 150	6"	163.0±5.00	5	550	5600	PVC-CMC-150	2.097.1573.16



# BST-PA6尼龙软管中壁

BST-PA6 Flexible Conduit Medium-Duty

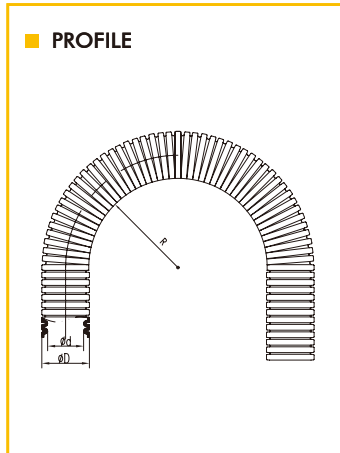


→ PA

IP68 REACH CE RoHS

材料: 进口PA6  
 颜色: 深灰色, 黑色  
 温度: -40°C~125°C  
 阻燃等级: HB(UL94),  
 燃烧速度<100mm/min  
 特性: 柔软有韧性, 中等壁厚, 表面有光泽, 抗扭曲, 高的机械强度, 耐油、碱、弱酸等, 耐摩擦, 黑色耐紫外线, 通过德国环保ROHS,REACH, 欧洲CE认证, 不含卤素和磷  
 应用场合: 机床, 机械设备, 电气控制系统, 安装行业等

Material: High-Grade Imported PA6  
 Color: Dark Grey,Black  
 Temperature Range: -40 C ~125 C  
 Flammability Rating: HB(UL94),  
 Burning Speed<100mm/min  
 Features: Flexible and ductile, Medium-duty, Twist-resistance,high mechanical Strength, Chemical resistance to Oil, alkalis, weak acids and so on. Resistance to abrasion and UV. Free from Halogen and Phosphorus.  
 How To Use: Application in machinery building,electrical control system,installation industries and so on.



Conduit Size	dxD mm	Stat.R mm	Dyn.R mm	PU	Beisit No. slit black	Article No.	Beisit No. black	Article No.	Beisit No. gray	Article No.
AD10	6.5x10	15	40	100	BST-PAH-10B/S	2.292.1003.02	BST-PAH-10B	2.292.1003.00	BST-PAH-10G	2.292.1001.00
AD13	10x13	20	50	100	BST-PAH-13B/S	2.292.1303.02	BST-PAH-13B	2.292.1303.00	BST-PAH-13G	2.292.1301.00
AD15.8	12x15.8	25	70	100	BST-PAH-15.8B/S	2.292.1603.02	BST-PAH-15.8B	2.292.1603.00	BST-PAH-15.8G	2.292.1601.00
AD18.5	14.3x18.5	35	70	100	BST-PAH-18.5B/S	2.292.1903.02	BST-PAH-18.5B	2.292.1903.00	BST-PAH-18.5G	2.292.1901.00
AD21.2	17x21.2	35	80	100	BST-PAH-21.2B/S	2.292.2103.02	BST-PAH-21.2B	2.292.2103.00	BST-PAH-21.2G	2.292.2101.00
AD25.5	21x25.5	42	85	50	BST-PAH-25.5B/S	2.292.2503.02	BST-PAH-25.5B	2.292.2503.00	BST-PAH-25.5G	2.292.2501.00
AD28.5	22x28.5	45	110	50	BST-PAH-28.5B/S	2.292.2903.02	BST-PAH-28.5B	2.292.2903.00	BST-PAH-28.5G	2.292.2901.00
AD34.5	28x34.5	50	130	50	BST-PAH-34.5B/S	2.292.3503.02	BST-PAH-34.5B	2.292.3503.00	BST-PAH-34.5G	2.292.3501.00
AD42.5	36x42.5	60	180	25	BST-PAH-42.5B/S	2.292.4303.02	BST-PAH-42.5B	2.292.4303.00	BST-PAH-42.5G	2.292.4301.00
AD54.5	48x54.5	70	220	25	BST-PAH-54.5B/S	2.292.5503.02	BST-PAH-54.5B	2.292.5503.00	BST-PAH-54.5G	2.292.5501.00





# BST-PA6阻燃尼龙软管中壁

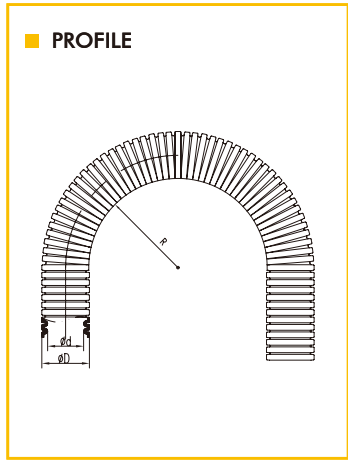
BST-PA6 Flame-Retardant Flexible Conduit Medium-Duty



→ PA IP68 EN45545-2 REACH CE RoHS

材料: 进口PA6  
 颜色: 深灰色, 黑色  
 温度: -40°C~125°C  
 阻燃等级: V0(UL94),自熄, B级  
 特性: 柔软有韧性, 中等壁厚, 表面有光泽, 抗扭曲, 高的机械强度, 耐油、碱、弱酸等耐摩擦, 黑色耐紫外线, 通过德国环保ROHS, REACH, 欧洲CE认证, 通过欧盟EN45545-2检测, 不含卤素磷  
 应用场合: 动车, 高铁, 地铁, 电力机车, 机器人等静态、动态部位

Material: High-Grade Imported PA6  
 Color: Dark Grey, Black  
 Temperature Range: -40 C ~ 125 C  
 Flammability Rating: V0(UL94), Self-extinguishing, Grade B  
 Features: Flexible and ductile, Medium-duty, Twist-resistance, high mechanical Strength, Chemical resistance to Oil, alkalies, weak acids and so on. Resistance to abrasion and UV. Free from Halogen and Phosphorus. Passing EN45545-2 Testing  
 How To Use: For Static Application in Railway vehicles, subway vehicles, Electrical vehicles and robotics



Conduit Size	d x D mm	Stat.R mm	Dyn.R mm	PU	Beisit No. slit black	Article No.	Beisit No. black	Article No.	Beisit No. gray	Article No.
AD10	6.5 x 10	15	40	100	BST-PAV-10B/S	2.293.1003.02	BST-PAV-10B	2.293.1003.00	BST-PAV-10G	2.293.1001.00
AD13	10 x 13	20	50	100	BST-PAV-13B/S	2.293.1303.02	BST-PAV-13B	2.293.1303.00	BST-PAV-13G	2.293.1301.00
AD15.8	12 x 15.8	25	70	100	BST-PAV-15.8B/S	2.293.1603.02	BST-PAV-15.8B	2.293.1603.00	BST-PAV-15.8G	2.293.1601.00
AD18.5	14.3 x 18.5	35	70	100	BST-PAV-18.5B/S	2.293.1903.02	BST-PAV-18.5B	2.293.1903.00	BST-PAV-18.5G	2.293.1901.00
AD21.2	17 x 21.2	35	80	100	BST-PAV-21.2B/S	2.293.2103.02	BST-PAV-21.2B	2.293.2103.00	BST-PAV-21.5G	2.293.2101.00
AD25.5	21 x 25.5	42	85	50	BST-PAV-25.5B/S	2.293.2503.02	BST-PAV-25.5B	2.293.2503.00	BST-PAV-25.5G	2.293.2501.00
AD28.5	22 x 28.5	45	110	50	BST-PAV-28.5B/S	2.293.2903.02	BST-PAV-28.5B	2.293.2903.00	BST-PAV-28.5G	2.293.2901.00
AD34.5	28 x 34.5	50	130	50	BST-PAV-34.5B/S	2.293.3503.02	BST-PAV-34.5B	2.293.3503.00	BST-PAV-34.5G	2.293.3501.00
AD42.5	36 x 42.5	60	180	25	BST-PAV-42.5B/S	2.293.4303.02	BST-PAV-42.5B	2.293.4303.00	BST-PAV-42.5G	2.293.4301.00
AD54.5	48 x 54.5	70	220	25	BST-PAV-54.5B/S	2.293.5503.02	BST-PAV-54.5B	2.293.5503.00	BST-PAV-54.5G	2.293.5501.00





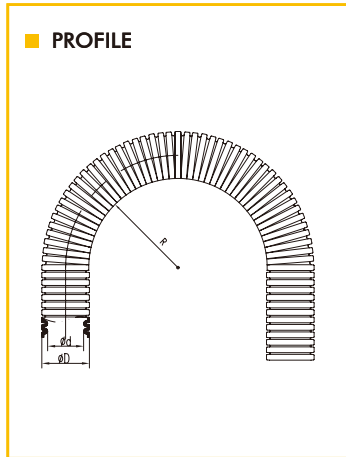
# BST-PA6尼龙软管厚壁

BST-PA6 Flexible Conduit Heavy-Duty



→ PA IP68 REACH CE RoHS

<p>材料: 进口PA6 颜色: 深灰色, 黑色 温度: -40°C~125°C 阻燃等级: HB(UL94),根据FMVSS 302要求, 燃烧速度&lt;100mm/min 特性: 柔软有韧性, 表面有光泽, 抗扭曲, 高的机械强度, 耐油、碱、弱酸等, 耐摩擦, 黑色耐紫外线, 通过德国环保ROHS,REACH, 欧洲CE认证, 不含卤素和磷 应用场合: 机床, 机械设备, 电气控制系统, 安装行业等重载部位</p>	<p>Material: High-Grade Imported PA6 Color: Dark Grey,Black Temperature Range: -40 C ~125 C Flammability Rating: Flammability Rating: HB(UL94), According to FMVSS 302 request, Burning Speed&lt;100mm/min Features: Flexible and ductile, Medium-duty, Twist-resistance,high mechanical Strength, Chemical resistance to Oil, alkalis, weak acids and so on. Resistance to abrasion and UV. Free from Halogen and Phosphorus. How To Use: For applications in machinery building,electrical control system,installation industries and other heavy-duty application.</p>
---	---



Conduit Size	d×D mm	Stat.R mm	Dyn.R mm	PJ	Beisit No. slit black	Article No.	Beisit No. black	Article No.	Beisit No. gray	Article No.
AD10	6.0×10	15	40	100	BST-PAHD-10B/S	2.292.1003.03	BST-PAHD-10B	2.292.1003.01	BST-PAHD-10G	2.292.1001.01
AD13	9.4×13	20	50	100	BST-PAHD-13B/S	2.292.1303.03	BST-PAHD-13B	2.292.1303.01	BST-PAHD-13G	2.292.1301.01
AD15.8	11.8×15.8	25	70	100	BST-PAHD-15.8B/S	2.292.1603.03	BST-PAHD-15.8B	2.292.1603.01	BST-PAHD-15.8G	2.292.1601.01
AD18.5	14×18.5	35	70	100	BST-PAHD-18.5B/S	2.292.1903.03	BST-PAHD-18.5B	2.292.1903.01	BST-PAHD-18.5G	2.292.1901.01
AD21.2	16×21.2	35	80	100	BST-PAHD-21.2B/S	2.292.2103.03	BST-PAHD-21.2B	2.292.2103.01	BST-PAHD-21.2G	2.292.2101.01
AD25.5	20.8×25.5	42	85	50	BST-PAHD-25.5B/S	2.292.2503.03	BST-PAHD-25.5B	2.292.2503.01	BST-PAHD-25.5G	2.292.2501.01
AD28.5	21.7×28.5	45	110	50	BST-PAHD-28.5B/S	2.292.2903.03	BST-PAHD-28.5B	2.292.2903.01	BST-PAHD-28.5G	2.292.2901.01
AD34.5	27.5×34.5	50	130	50	BST-PAHD-34.5B/S	2.292.3503.03	BST-PAHD-34.5B	2.292.3503.01	BST-PAHD-34.5G	2.292.3501.01
AD42.5	35.3×42.5	60	180	25	BST-PAHD-42.5B/S	2.292.4303.03	BST-PAHD-42.5B	2.292.4303.01	BST-PAHD-42.5G	2.292.4301.01
AD54.5	46.9×54.5	70	220	25	BST-PAHD-54.5B/S	2.292.5503.03	BST-PAHD-54.5B	2.292.5503.01	BST-PAHD-54.5G	2.292.5501.01



# BST-PA6阻燃尼龙软管厚壁

BST-PA6 Fireproof Flexible Conduit Heavy-Duty

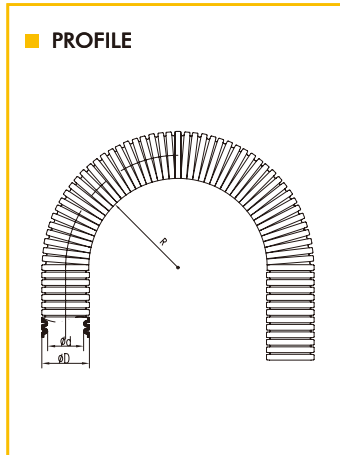


→ PA

IP68 EN45545-2 REACH CE RoHS

材料: 进口PA6  
 颜色: 深灰色, 黑色  
 温度: -40°C~125°C  
 阻燃等级: V0(UL94), 自熄, B级  
 特性: 柔软有韧性, 表面有光泽, 耐摩擦, 抗扭曲, 高的机械强度, 耐油、碱、弱酸等, 黑色耐紫外线, 自熄灭性非常好, 满足安全性能要求, 通过德国环保 ROHS,REACH测试, 欧洲 CE认证, 通过EN45545-2 检测, 不含卤素和磷  
 应用场合: 动车, 高铁, 地铁, 电力机车, 机器人等静态、动态重载部位

Material: High-Grade Imported PA6  
 Color: Dark Grey,Black  
 Temperature Range: -40 C ~125 C  
 Flammability Rating: V0(UL94), Self-extinguishing, Grade B  
 Features: Flexible and ductile, Medium-duty, Twist-reisistance,high mechanical Strength, Chemical resistance to Oil, alkalis, weak acids and so on. Resistance to abrasion and UV. Free from Halogen and Phosphorus.  
 How To Use: For applications in machinery building,electrical control system,installation industries and other heavy-duty application.



Conduit Size	d×D mm	Stat.R mm	Dyn.R mm	PJ	Beisit No. slit black	Article No.	Beisit No. black	Article No.	Beisit No. gray	Article No.
AD10	6.0×10	15	40	100	BST-PAVD-10B/S	2.293.1003.03	BST-PAVD-10B	2.293.1003.01	BST-PAVD-10G	2.293.1001.01
AD13	9.4×13	20	50	100	BST-PAVD-13B/S	2.293.1303.03	BST-PAVD-13B	2.293.1303.01	BST-PAVD-13G	2.293.1301.01
AD15.8	11.8×15.8	25	70	100	BST-PAVD-15.8B/S	2.293.1603.03	BST-PAVD-15.8B	2.293.1603.01	BST-PAVD-15.8G	2.293.1601.01
AD18.5	14×18.5	35	70	100	BST-PAVD-18.5B/S	2.293.1903.03	BST-PAVD-18.5B	2.293.1903.01	BST-PAVD-18.5G	2.293.1901.01
AD21.2	16×21.2	35	80	100	BST-PAVD-21.2B/S	2.293.2103.03	BST-PAVD-21.2B	2.293.2103.01	BST-PAVD-21.2G	2.293.2101.01
AD25.5	20.8×25.5	42	85	50	BST-PAVD-25.5B/S	2.293.2503.03	BST-PAVD-25.5B	2.293.2503.01	BST-PAVD-25.5G	2.293.2501.01
AD28.5	21.7×28.5	45	110	50	BST-PAVD-28.5B/S	2.293.2903.03	BST-PAVD-28.5B	2.293.2903.01	BST-PAVD-28.5G	2.293.2901.01
AD34.5	27.5×34.5	50	130	50	BST-PAVD-34.5B/S	2.293.3503.03	BST-PAVD-34.5B	2.293.3503.01	BST-PAVD-34.5G	2.293.3501.01
AD42.5	35.3×42.5	60	180	25	BST-PAVD-42.5B/S	2.293.4303.03	BST-PAVD-42.5B	2.293.4303.01	BST-PAVD-42.5G	2.293.4301.01
AD54.5	46.9×54.5	70	220	25	BST-PAVD-54.5B/S	2.293.5503.03	BST-PAVD-54.5B	2.293.5503.01	BST-PAVD-54.5G	2.293.5501.01



# BST-PA12尼龙软管中壁

BST-PA12 Flexible Conduit Medium-Duty

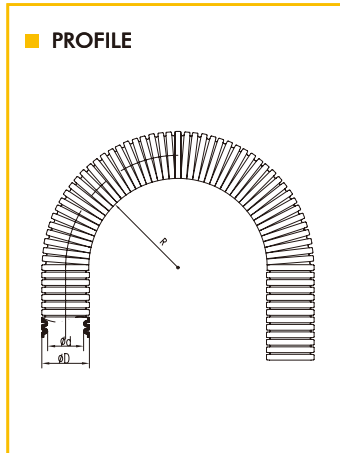


→ PA

IP68 REACH CE RoHS

材料: 进口PA12  
 颜色: 深灰色, 黑色  
 温度: -40°C~125°C  
 阻燃等级: HB(UL94),  
 燃烧速度<100mm/min  
 特性: 高柔软性, 表面有光泽, 抗  
 扭曲, 高的机械强度, 耐油、  
 碱、弱酸等, 耐摩擦, 黑色耐  
 紫外线, 通过德国环保  
 ROHS,REACH, 欧洲CE认证,  
 不含卤素和磷  
 应用场合: 机床, 机械制造, 电气控制  
 系统等动态重要部位

Material: High-Grade Imported PA12  
 Color: Dark Grey,Black  
 Temperature Range: -40 C ~125 C  
 Flammability Rating: HB(UL94), Burning Speed  
 <100mm/min  
 Features: Flexible and ductile, Medium-duty, Twist-reis-  
 tance,high mechanical Strength, Chemical  
 resistance to Oil, alkalies, weak acids and  
 so on. Resistance to abrasion and UV.  
 Free from Halogen and Phosphorus.  
 How To Use: Application in machinery building,electrical control  
 system and so on.



Conduit Size	d×D mm	Stat.R mm	Dyn.R mm	PJ	Beisit No. slit black	Article No.	Beisit No. black	Article No.	Beisit No. gray	Article No.
AD10	6.5 x 10	15	40	100	BST-PAHR-10B/S	2.294.1003.02	BST-PAHR-10B	2.294.1003.00	BST-PAHR-10G	2.294.1001.00
AD13	10 x 13	20	50	100	BST-PAHR-13B/S	2.294.1303.02	BST-PAHR-13B	2.294.1303.00	BST-PAHR-13G	2.294.1301.00
AD15.8	12 x 15.8	25	70	100	BST-PAHR-15.8B/S	2.294.1603.02	BST-PAHR-15.8B	2.294.1603.00	BST-PAHR-15.8G	2.294.1601.00
AD18.5	14.3 x 18.5	35	70	100	BST-PAHR-18.5B/S	2.294.1903.02	BST-PAHR-18.5B	2.294.1903.00	BST-PAHR-18.5G	2.294.1901.00
AD21.2	17 x 21.2	35	80	100	BST-PAHR-21.2B/S	2.294.2103.02	BST-PAHR-21.2B	2.294.2103.00	BST-PAHR-21.2G	2.294.2101.00
AD25.5	21 x 25.5	42	85	50	BST-PAHR-25.5B/S	2.294.2503.02	BST-PAHR-25.5B	2.294.2503.00	BST-PAHR-25.5G	2.294.2501.00
AD28.5	22 x 28.5	45	110	50	BST-PAHR-28.5B/S	2.294.2903.02	BST-PAHR-28.5B	2.294.2903.00	BST-PAHR-28.5G	2.294.2901.00
AD34.5	28 x 34.5	50	130	50	BST-PAHR-34.5B/S	2.294.3503.02	BST-PAHR-34.5B	2.294.3503.00	BST-PAHR-34.5G	2.294.3501.00
AD42.5	36 x 42.5	60	180	25	BST-PAHR-42.5B/S	2.294.4303.02	BST-PAHR-42.5B	2.294.4303.00	BST-PAHR-42.5G	2.294.4301.00
AD54.5	48 x 54.5	70	220	25	BST-PAHR-54.5B/S	2.294.5503.02	BST-PAHR-54.5B	2.294.5503.00	BST-PAHR-54.5G	2.294.5501.00



# BST-PA12阻燃尼龙软管中壁特软型

BST-PA12 Fireproof Flexible Conduit Medium-Duty Very Flexible

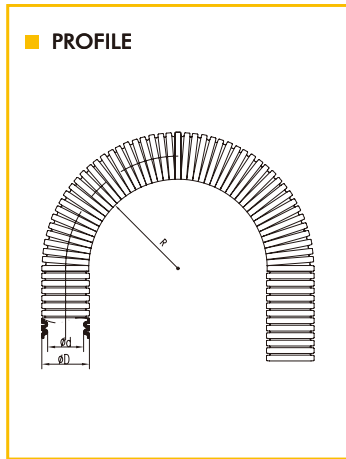


→ PA

IP68 EN45545-2 REACH CE RoHS

材料: 进口PA12  
 颜色: 深灰色, 黑色  
 温度: -40°C~125°C  
 阻燃等级: V0(UL94), 自熄, B级  
 特性: 高柔软性, 表面有光泽, 耐摩擦, 抗扭曲, 高的机械强度, 耐油、碱、弱酸等, 黑色耐紫外线, 通过德国环保ROHS, REACH, 欧洲CE认证, 通过欧盟EN45545-2检测, 不含卤素和磷  
 应用场合: 动车, 高铁, 地铁, 电力机车, 机器人等静态、动态重要部位

Material: High-Grade PA12  
 Color: Dark Grey, Black  
 Temperature Range: -40 C ~ 125 C  
 Flammability Rating: V0(UL94), Self-extinguishing, Grade B  
 Features: Very Flexible and ductile, Medium-duty, Twist-resistance, high mechanical Strength, Chemical resistance to Oil, alkalies, weak acids and so on. Resistance to abrasion and UV. Free from Halogen and Phosphorus. Passing EN45545-2 Testing  
 How To Use: Application in machinery building, electrical control system, installation industries and other heavy-duty application.



Conduit Size	d×D mm	Stat.R mm	Dyn.R mm	PU	Beisit No. slit black	Article No.	Beisit No. black	Article No.	Beisit No. gray	Article No.
AD10	6.5 x 10	15	40	100	BST-PAVR-10B/S	2.295.1003.02	BST-PAVR-10B	2.295.1003.00	BST-PAVR-10G	2.295.1001.00
AD13	10 x 13	20	50	100	BST-PAVR-13B/S	2.295.1303.02	BST-PAVR-13B	2.295.1303.00	BST-PAVR-13G	2.295.1301.00
AD15.8	12 x 15.8	25	70	100	BST-PAVR-15.8B/S	2.295.1603.02	BST-PAVR-15.8B	2.295.1603.00	BST-PAVR-15.8G	2.295.1601.00
AD18.5	14.3 x 18.5	35	70	100	BST-PAVR-18.5B/S	2.295.1903.02	BST-PAVR-18.5B	2.295.1903.00	BST-PAVR-18.5G	2.295.1901.00
AD21.2	17 x 21.2	35	80	100	BST-PAVR-21.2B/S	2.295.2103.02	BST-PAVR-21.2B	2.295.2103.00	BST-PAVR-21.5G	2.295.2101.00
AD25.5	21 x 25.5	42	85	50	BST-PAVR-25.5B/S	2.295.2503.02	BST-PAVR-25.5B	2.295.2503.00	BST-PAVR-25.5G	2.295.2501.00
AD28.5	22 x 28.5	45	110	50	BST-PAVR-28.5B/S	2.295.2903.02	BST-PAVR-28.5B	2.295.2903.00	BST-PAVR-28.5G	2.295.2901.00
AD34.5	28 x 34.5	50	130	50	BST-PAVR-34.5B/S	2.295.3503.02	BST-PAVR-34.5B	2.295.3503.00	BST-PAVR-34.5G	2.295.3501.00
AD42.5	36 x 42.5	60	180	25	BST-PAVR-42.5B/S	2.295.4303.02	BST-PAVR-42.5B	2.295.4303.00	BST-PAVR-42.5G	2.295.4301.00
AD54.5	48 x 54.5	70	220	25	BST-PAVR-54.5B/S	2.295.5503.02	BST-PAVR-54.5B	2.295.5503.00	BST-PAVR-54.5G	2.295.5501.00





# BST-PA12尼龙软管厚壁特软型

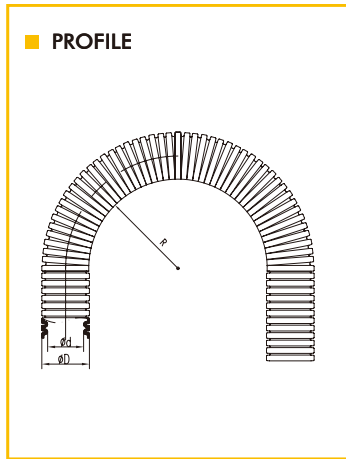
BST-PA12 Flexible Conduit Heavy-Duty Very Flexible



→ PA IP68 EN45545-2 REACH CE RoHS

材料: 进口PA12  
 颜色: 深灰色, 黑色  
 温度: -40°C~125°C  
 阻燃等级: HB(UL94),  
 燃烧速度<100mm/min  
 特性: 高柔软性, 表面有光泽, 耐摩擦, 抗扭曲, 高的机械强度, 耐油、碱、弱酸等, 黑色耐紫外线, 通过德国环保ROHS,REACH, 欧洲CE认证, 通过欧盟EN45545-2检测, 不含卤素和磷  
 应用场合: 机床制造, 电力设备, 自动化装置, 电气控制系统等重载动态部位

Material: High-Grade PA12  
 Color: Dark Grey,Black  
 Temperature Range: -40 C ~125 C  
 Flammability Rating: HB(UL94),  
 Burning Speed<100mm/min  
 Features: Very Flexible and ductile, Medium-duty, Twist-resistance,high mechanical Strength, Chemical resistance to Oil, alkalis, weak acids and so on. Resistance to abrasion and UV. Free from Halogen and Phosphorus, Passed EN45545-2 Testing  
 How To Use: Application in machinery building,Power equipment,automation,Electrical Control System and other heavy-duty application.



Conduit Size	dxD mm	Stat.R mm	Dyn.R mm	PU	Beisit No. slit black	Article No.	Beisit No. black	Article No.	Beisit No. gray	Article No.
AD10	6.0x10	15	40	100	BST-PAHRD-10B/S	2.294.1003.03	BST-PAHRD-10B	2.294.1003.01	BST-PAHRD-10G	2.294.1001.01
AD13	9.4x13	20	50	100	BST-PAHRD-13B/S	2.294.1303.03	BST-PAHRD-13B	2.294.1303.01	BST-PAHRD-13G	2.294.1301.01
AD15.8	11.8x15.8	25	70	100	BST-PAHRD-15.8B/S	2.294.1603.03	BST-PAHRD-15.8B	2.294.1603.01	BST-PAHRD-15.8G	2.294.1601.01
AD18.5	14x18.5	35	70	100	BST-PAHRD-18.5B/S	2.294.1903.03	BST-PAHRD-18.5B	2.294.1903.01	BST-PAHRD-18.5G	2.294.1901.01
AD21.2	16x21.2	35	80	100	BST-PAHRD-21.2B/S	2.294.2103.03	BST-PAHRD-21.2B	2.294.2103.01	BST-PAHRD-21.2G	2.294.2101.01
AD25.5	20.8x25.5	42	85	50	BST-PAHRD-25.5B/S	2.294.2503.03	BST-PAHRD-25.5B	2.294.2503.01	BST-PAHRD-25.5G	2.294.2501.01
AD28.5	21.7x28.5	45	110	50	BST-PAHRD-28.5B/S	2.294.2903.03	BST-PAHRD-28.5B	2.294.2903.01	BST-PAHRD-28.5G	2.294.2901.01
AD34.5	27.5x34.5	50	130	50	BST-PAHRD-34.5B/S	2.294.3503.03	BST-PAHRD-34.5B	2.294.3503.01	BST-PAHRD-34.5G	2.294.3501.01
AD42.5	35.3x42.5	60	180	25	BST-PAHRD-42.5B/S	2.294.4303.03	BST-PAHRD-42.5B	2.294.4303.01	BST-PAHRD-42.5G	2.294.4301.01
AD54.5	46.9x54.5	70	220	25	BST-PAHRD-54.5B/S	2.294.5503.03	BST-PAHRD-54.5B	2.294.5503.01	BST-PAHRD-54.5G	2.294.5501.01



# BST-PA12阻燃尼龙软管厚壁特软型

BST-PA12 Flammability Retardant Flexible Conduit Heavy-Duty Very Flexible

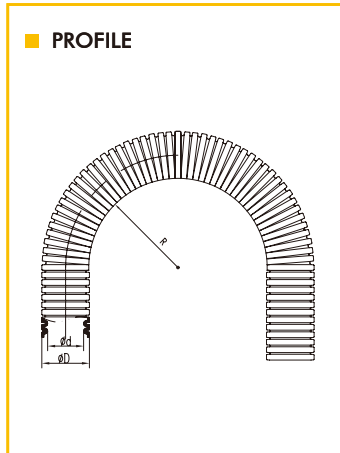


→ PA

IP68 EN45545-2 REACH CE RoHS

材料: 进口PA12  
 颜色: 深灰色, 黑色  
 温度: -40°C~125°C  
 阻燃等级: V0(UL94), 自熄, B级  
 特性: 高柔软性, 表面有光泽, 耐摩擦, 抗扭曲, 高的机械强度, 耐油、碱、弱酸等, 黑色耐紫外线, 通过德国环保ROHS,REACH, 欧洲CE认证, 通过欧盟EN45545-2检测, 不含卤素和磷  
 应用场合: 动车, 高铁, 地铁, 电力机车, 机器人等静态、动态重载部位

Material: High-Grade PA12  
 Color: Dark Grey,Black  
 Temperature Range: -40 C ~125 C  
 Flammability Rating: V0(UL94), Self-extinguishing, Grade B  
 Features: Very Flexible and ductile, Medium-duty, Twist-reisistance,high mechanical Strength, Chemical resistance to Oil, alkalies, weak acids and so on. Resistance to abrasion and UV. Free from Halogen and Phosphorus, Passed EN45545-2 Testing  
 How To Use: Application in machinery building,electrical control system,installation industries and other heavy-duty application.



Conduit Size	d×D mm	Stat.r mm	Dyn.r mm	PU	Beisit No. slit black	Article No.	Beisit No. black	Article No.	Beisit No. gray	Article No.
AD10	6.0×10	15	40	100	BST-PAVRD-10B/S	2.295.1003.03	BST-PAVRD-10B	2.295.1003.01	BST-PAVRD-10G	2.295.1001.01
AD13	9.4×13	20	50	100	BST-PAVRD-13B/S	2.295.1303.03	BST-PAVRD-13B	2.295.1303.01	BST-PAVRD-13G	2.295.1301.01
AD15.8	11.8×15.8	25	70	100	BST-PAVRD-15.8B/S	2.295.1603.03	BST-PAVRD-15.8B	2.295.1603.01	BST-PAVRD-15.8G	2.295.1601.01
AD18.5	14×18.5	35	70	100	BST-PAVRD-18.5B/S	2.295.1903.03	BST-PAVRD-18.5B	2.295.1903.01	BST-PAVRD-18.5G	2.295.1901.01
AD21.2	16×21.2	35	80	100	BST-PAVRD-21.2B/S	2.295.2103.03	BST-PAVRD-21.2B	2.295.2103.01	BST-PAVRD-21.5G	2.295.2101.01
AD25.5	20.8×25.5	42	85	50	BST-PAVRD-25.5B/S	2.295.2503.03	BST-PAVRD-25.5B	2.295.2503.01	BST-PAVRD-25.5G	2.295.2501.01
AD28.5	21.7×28.5	45	110	50	BST-PAVRD-28.5B/S	2.295.2903.03	BST-PAVRD-28.5B	2.295.2903.01	BST-PAVRD-28.5G	2.295.2901.01
AD34.5	27.5×34.5	50	130	50	BST-PAVRD-34.5B/S	2.295.3503.03	BST-PAVRD-34.5B	2.295.3503.01	BST-PAVRD-34.5G	2.295.3501.01
AD42.5	35.3×42.5	60	180	25	BST-PAVRD-42.5B/S	2.295.4303.03	BST-PAVRD-42.5B	2.295.4303.01	BST-PAVRD-42.5G	2.295.4301.01
AD54.5	46.9×54.5	70	220	25	BST-PAVRD-54.5B/S	2.295.5503.03	BST-PAVRD-54.5B	2.295.5503.01	BST-PAVRD-54.5G	2.295.5501.01





# BST-PP波纹软管

BST-PP Conduit

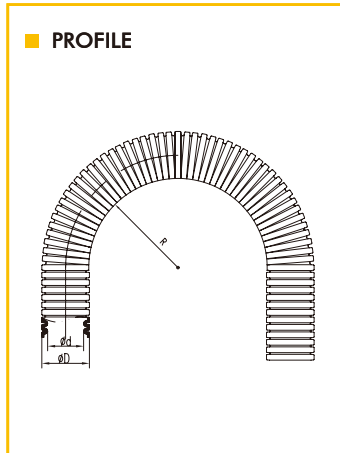


→ PP

IP68 REACH CE RoHS

材料: PP聚丙烯  
 颜色: 深灰色, 黑色  
 温度: -30°C~110°C  
 阻燃等级: HB(UL94),  
 燃烧速度<100mm/min,  
 0(UL94),自熄, B级  
 特性: 柔软有韧性, 表面有光泽, 抗  
 扭曲, 高的机械强度, 耐油、  
 碱、弱酸等, 耐摩擦, 黑色耐  
 紫外线, 通过德国环保  
 ROHS,REACH, 欧洲CE认证,  
 不含卤素和磷  
 应用场合: 机床制造, 电力设备, 自动化  
 装置, 电气控制系统等领域

Material: PP (Poly Propylene)  
 Color: Dark Grey,Black  
 Temperature Range: -30 C ~110 C  
 Flammability Rating: HB(UL94), Burning Speed  
 <100mm/min, V0(UL94),  
 Self-extinguishing, Grade B  
 Features: Very Flexible and ductile,Twist-resistance,high  
 mechanical Strength, Chemical resistance to Oil,  
 alkalis, weak acids and so on. Resistance to abrasion  
 and UV. Free from Halogen and Phosphorus.  
 How To Use: Application in machinery building,Power equipment,  
 automation,Electrical Control System and other  
 application.



Conduit Size	d×D mm	Stat.R mm	Dyn.R mm	PJ	Beisit No. slit black	Article No.	Beisit No. black	Article No.	Beisit No. gray	Article No.
AD10	6.5 x 10	15	40	100	BST-PP-10B/S	2.296.1003.02	BST-PP-10B	2.296.1003.00	BST-PP-10G	2.296.1001.00
AD13	10 x 13	20	50	100	BST-PP-13B/S	2.296.1303.02	BST-PP-13B	2.296.1303.00	BST-PP-13G	2.296.1301.00
AD15.8	12 x 15.8	25	70	100	BST-PP-15.8B/S	2.296.1603.02	BST-PP-15.8B	2.296.1603.00	BST-PP-15.8G	2.296.1601.00
AD18.5	14.3 x 18.5	35	70	100	BST-PP-18.5B/S	2.296.1903.02	BST-PP-18.5B	2.296.1903.00	BST-PP-18.5G	2.296.1901.00
AD21.2	17 x 21.2	35	80	100	BST-PP-21.2B/S	2.296.2103.02	BST-PP-21.2B	2.296.2103.00	BST-PP-21.2G	2.296.2101.00
AD25.5	21 x 25.5	42	85	50	BST-PP-25.5B/S	2.296.2503.02	BST-PP-25.5B	2.296.2503.00	BST-PP-25.5G	2.296.2501.00
AD28.5	22 x 28.5	45	110	50	BST-PP-28.5B/S	2.296.2903.02	BST-PP-28.5B	2.296.2903.00	BST-PP-28.5G	2.296.2901.00
AD34.5	28 x 34.5	50	130	50	BST-PP-34.5B/S	2.296.3503.02	BST-PP-34.5B	2.296.3503.00	BST-PP-34.5G	2.296.3501.00
AD42.5	36 x 42.5	60	180	25	BST-PP-42.5B/S	2.296.4303.02	BST-PP-42.5B	2.296.4303.00	BST-PP-42.5G	2.296.4301.00
AD54.5	48 x 54.5	70	220	25	BST-PP-54.5B/S	2.296.5503.02	BST-PP-54.5B	2.296.5503.00	BST-PP-54.5G	2.296.5501.00

备注: V0材质可定做  
 REMARK: V0 can be offered upon request.



# BST-PE波纹软管特软型

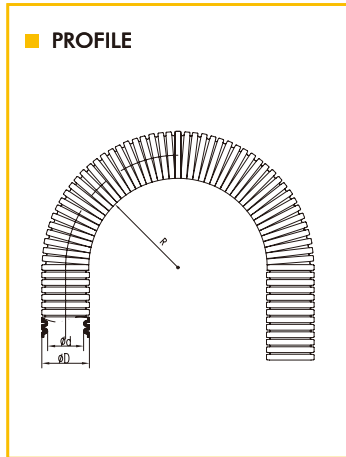
## BST-PE Conduit Very Soft



→ PE IP68 REACH CE RoHS

材料: LDPE聚乙烯  
 颜色: 深灰色, 黑色  
 温度: -30°C~100°C  
 阻燃等级: HB(UL94),  
 燃烧速度<100mm/min  
 特性: 非常柔软有韧性, 中等壁厚, 表面有光泽, 抗扭曲, 高的机械强度, 耐油、碱、弱酸等, 耐摩擦, 黑色耐紫外线, 通过德国环保 ROHS,REACH, 欧洲CE认证,不含卤素和磷  
 应用场合: 机床制造, 电力设备, 自动化装置, 电气控制系统

Material: LDPE  
 Color: Dark Grey,Black  
 Temperature Range: -30 C ~100 C  
 Flammability Rating: HB(UL94), Burning Speed <100mm/min  
 Features: Very Flexible and ductile, Medium-duty, Twist-resistance,high mechanical Strength, Chemical resistance to Oil, alkalis, weak acids and so on. Resistance to abrasion and UV. Free from Halogen and phosphorus.  
 How To Use: For Application in machinery building , Power For Applications in machinery building, Power equipment,automation,Electrical Control System and other application.



Conduit Size	d×D mm	Stat.R mm	Dyn.R mm	PU	Beisit No. slit black	Article No.	Beisit No. black	Article No.	Beisit No. gray	Article No.
AD10	6.5×10	15	40	100	BST-PE-10B/S	2.298.1003.02	BST-PE-10B	2.298.1003.00	BST-PE-10G	2.298.1001.00
AD13	10×13	20	50	100	BST-PE-13B/S	2.298.1303.02	BST-PE-13B	2.298.1303.00	BST-PE-13G	2.298.1301.00
AD15.8	12×15.8	25	70	100	BST-PE-15.8B/S	2.298.1603.02	BST-PE-15.8B	2.298.1603.00	BST-PE-15.8G	2.298.1601.00
AD18.5	14.3×18.5	35	70	100	BST-PE-18.5B/S	2.298.1903.02	BST-PE-18.5B	2.298.1903.00	BST-PE-18.5G	2.298.1901.00
AD21.2	17×21.2	35	80	100	BST-PE-21.2B/S	2.298.2103.02	BST-PE-21.2B	2.298.2103.00	BST-PE-21.2G	2.298.2101.00
AD25.5	21×25.5	42	85	50	BST-PE-25.5B/S	2.298.2503.02	BST-PE-25.5B	2.298.2503.00	BST-PE-25.5G	2.298.2501.00
AD28.5	22×28.5	45	110	50	BST-PE-28.5B/S	2.298.2903.02	BST-PE-28.5B	2.298.2903.00	BST-PE-28.5G	2.298.2901.00
AD34.5	28×34.5	50	130	50	BST-PE-34.5B/S	2.298.3503.02	BST-PE-34.5B	2.298.3503.00	BST-PE-34.5G	2.298.3501.00
AD42.5	36×42.5	60	180	25	BST-PE-42.5B/S	2.298.4303.02	BST-PE-42.5B	2.298.4303.00	BST-PE-42.5G	2.298.4301.00
AD54.5	48×54.5	70	220	25	BST-PE-54.5B/S	2.298.5503.02	BST-PE-54.5B	2.298.5503.00	BST-PE-54.5G	2.298.5501.00



# 塞棒

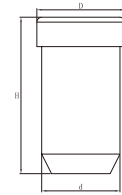
Rubber Inserts



材料: EPDM(可选丁腈橡胶, 硅橡胶, TPV等)  
 工作温度: -40°C至120°C  
 颜色种类: 黑色

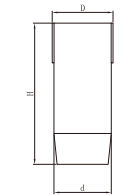
Material: EPDM (optional material NBR, Silicone Rubber,TPV)  
 Working temperature: -40 C to120 C  
 Color: Black

### PROFILE



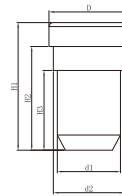
Thread ØD1	d mm	D mm	H mm	Beisit No.	Article No.
φ3.5	3.3	4.5	12	BST-S-3.5	2.627.2903.04
φ4	4	5	12	BST-S-4	2.627.1303.04
φ5	5	6	12	BST-S-5	2.827.2103.05
φ6	6	7	15	BST-S-6	2.827.2503.06
φ7	7	8	16	BST-S-7	2.827.2107.16
φ8	8	9	16	BST-S-8	2.827.2108.13
φ10	10	13	10	BST-S-10	2.727.1603.10
φ12	12	15	10	BST-S-12	2.727.2003.12
φ13	13	15	10	BST-S-13	2.727.3203.13
φ18	18	21	10	BST-S-18	2.727.2503.18
φ25	25	28	10	BST-S-25	2.727.3203.25

### PROFILE



Thread ØD1	d mm	D mm	H mm	Beisit No.	Article No.
φ6.5	6.5	6.9	16	BST-S-6.5	2.627.3203.07
φ7.5	7.5	7.9	16	BST-S-7.5	2.627.3203.08

### PROFILE



Thread ØD1	d1 mm	d2 mm	D mm	H1 mm	H2 mm	H3 mm	Beisit No.	Article No.
φ8.9	7.9	8.9	10	10	13	13	BST-S-8.9	2.627.2003.09



# M型/PG型/NPT型O型圈

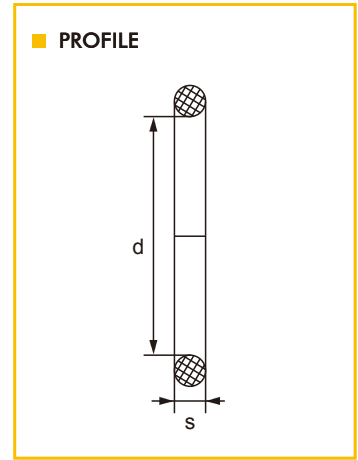
Metric Type/PG Type/NPT Type O-Ring



→ M/PG/NPT CE RoHS REACH

材料: 耐候橡胶、硅橡胶  
 工作温度: -40°C至120°C  
 颜色种类: 黑色

Material: EPDM, Silicone Rubber  
 Working temperature: -40°C to 120°C  
 Color: Black



Thread ØD1	d mm	s mm	Beisit No.	Article No.
M12 x 1.5	10	1.5	M12-O	2.860.0710.15
M16 x 1.5	12	1.5	M16-O	2.860.0912.15
M20 x 1.5	17	1.8	M20-O	2.860.1317.18
M25 x 1.5	22	2	M25-O	2.860.2522.20
M32 x 1.5	28.5	2	M32-O	2.860.3229.20
M40 x 1.5	35	2	M40-O	2.860.4035.20
M50 x 1.5	43	2	M50-O	2.860.5043.20
M50 x 1.5	47	3	M50-O	2.860.5047.30
M63 x 1.5	55.3	2	M63-O	2.860.6355.20
PG 7	10	1.5	P07-O	2.860.0710.15
PG 9	12	1.5	P09-O	2.860.0912.15
PG 11	16	1.5	P11-O	2.860.1116.15
PG 13.5	17	1.8	P13-O	2.860.1317.18
PG 16	17	2.35	P16-O	2.860.1617.24
PG 16	18	1.5	P16-O	2.860.1618.15
PG 21	25.2	2	P21-O	2.860.2125.20
PG 29	33	2	P29-O	2.860.2933.20
PG 36	44	2	P36-O	2.860.3644.20
PG 42	50	2	P42-O	2.860.4250.20
PG 48	56.5	2	P48-O	2.860.4857.20
3/8"NPT	13	2	N38-O	2.860.1613.20
1/2"NPT	17	1.8	N12-O	2.860.1317.18
3/4"NPT	22	2	N34-O	2.860.2522.20
1"NPT	28.5	2	N100-O	2.860.1029.20
1 1/4"NPT	38	2.5	N114-O	2.860.5438.25
1 1/2"NPT	45	2.5	N112-O	2.860.3245.25

可为客户特殊定制 Special Customization is available.



# M型/PG型/NPT型垫片

Metric Type/PG Type/NPT Type Gasket



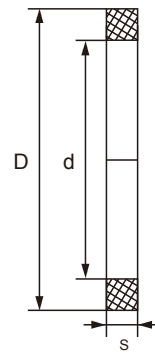
→ M/PG/NPT

REACH CE RoHS

材料: 耐候橡胶、硅橡胶、PTFE  
 工作温度: -40°C至120°C  
 颜色种类: 黑色

Material: EPDM, Silicone Rubber, PTFE  
 Working temperature: -40°C to 120°C  
 Color: Black

### PROFILE



PTFE垫片尺寸可根据实际产品进行调整。

Dimension of PTFE Gasket can be customized according to actual product.

Thread ØD1	d mm	D mm	s mm	Beisit No.	Article No.
M12 x 1.5	10.2	15	1.8	M12-W	2.661.1210.15
M16 x 1.5	14	22	1.8	M16-W	2.661.0914.22
M20 x 1.5	18	24	1.8	M20-W	2.661.2018.24
M20 x 1.5	18	27	2	M20-W	2.861.2018.99
M25 x 1.5	23	33	1.8	M25-W	2.661.2523.33
M25 x 1.5	23	31	2	M25-W	2.861.2523.31
M25 x 1.5	24	32	2.5	M25-W	2.861.2524.25
M30 x 1.5	29	36.6	1.8	M30-W	2.861.3029.37
M32 x 1.5	30	37	1.8	M32-W	2.861.3230.37
M32 x 1.5	30	42	1.8	M32-W	2.661.3230.42
M40 x 1.5	38	53	1.8	M40-W	2.661.4038.53
M50 x 1.5	48	60	1.8	M50-W	2.661.5048.60
M63 x 1.5	61	68	1.8	M63-W	2.661.6361.68
PG 7	11.1	15	1.8	P07-W	2.661.0711.15
PG 9	14	22	1.8	P09-W	2.661.0914.22
PG 11	16.8	22	1.8	P11-W	2.661.1117.22
PG 11	16.8	24	1.8	P11-W	2.861.1117.24
PG 13.5	19	24	1.7	P13-W	2.661.1319.24
PG 16	21	27	1.8	P16-W	2.661.1621.27
PG 21	26.6	33	1.8	P21-W	2.661.2127.33
PG 29	35.3	42	1.8	P29-W	2.661.2935.42
PG 36	44.8	53	1.8	P36-W	2.661.3645.53
PG 42	51.8	60	1.8	P42-W	2.661.4252.60
PG 48	57	65	1.8	P48-W	2.661.4857.65
3/8"NPT	14	22	1.8	N38-W	2.661.0914.22
1/2"NPT	18	24	1.8	N12-W	2.661.2018.24
3/4"NPT	23	33	1.8	N34-W	2.661.2523.33
1"NPT	30	42	1.8	N100-W	2.661.1030.42
1 1/4"NPT	38	53	1.8	N114-W	2.661.4038.53
1 1/2"NPT	44.8	53	1.8	N112-W	2.661.3645.53

可为客户特殊定制 Special Customization is available.



# M型/PG型/NPT型/G(PF)型尼龙六角螺母

Metric Type/PG Type/NPT Type/G(PF) Type Nylon LockNuts

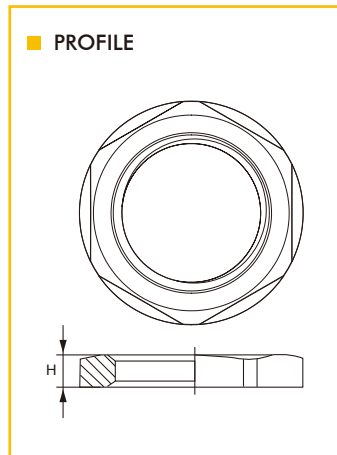


→ M/PG/NPT/G(PF)



材料: 采用UL认可的尼龙材料  
 工作温度: -40°C至100°C  
 颜色种类: 灰色、黑色,  
 其他颜色可定做  
 材料种类: V0或F1可定做

Material: PA (NYLON), UL 94 V-2  
 Working temperature: -40°C to 100°C  
 Color: Grey(RAL7035), Black(RAL9005),  
 other colors customized.  
 Material options: V0, or F1 can be offered upon request.



Thread ØD1	H mm	 mm	Beisit No. RAL7035	Article No. RAL7035	Beisit No. RAL9005	Article No. RAL9005
M12 x 1.5	5	17	M12-LN	2.270.1201.01	M12-LNB	2.270.1203.01
M16 x 1.5	5	22	M16-LN	2.270.1601.01	M16-LNB	2.270.1603.01
M20 x 1.5	5.7	27	M20-LN	2.270.2001.01	M20-LNB	2.270.2003.01
M24 x 1.5	6	30	M24-LN	2.270.2401.01	M24-LNB	2.270.2403.01
M25 x 1.5	6	32	M25-LN	2.270.2501.01	M25-LNB	2.270.2503.01
M32 x 1.5	7	41	M32-LN	2.270.3201.01	M32-LNB	2.270.3203.01
M40 x 1.5	7	50	M40-LN	2.270.4001.01	M40-LNB	2.270.4003.01
M50 x 1.5	8.5	60	M50-LN	2.270.5001.01	M50-LNB	2.270.5003.01
M63 x 1.5	8	75	M63-LN	2.270.6301.01	M63-LNB	2.270.6303.01
M75 x 2	10	86	M75-LN	2.270.7501.01	M75-LNB	2.270.7503.01
PG 7	5	19	P07-LN	2.270.0701.03	P07-LNB	2.270.0703.03
PG 9	5	22	P09-LN	2.270.0901.03	P09-LNB	2.270.0903.03
PG 11	5	24	P11-LN	2.270.1101.03	P11-LNB	2.270.1103.03
PG 13.5	5.7	27	P13-LN	2.270.1301.03	P13-LNB	2.270.1303.03
PG 16	5.7	30	P16-LN	2.270.1601.03	P16-LNB	2.270.1603.03
PG 19	6	30	P19-LN	2.270.2401.01	P19-LNB	2.270.2403.01
PG 21	6	36	P21-LN	2.270.2101.03	P21-LNB	2.270.2103.03
PG 29	7	46	P29-LN	2.270.2901.03	P29-LNB	2.270.2903.03
PG 36	7.6	60	P36-LN	2.270.3601.03	P36-LNB	2.270.3603.03
PG 42	8	65	P42-LN	2.270.4201.03	P42-LNB	2.270.4203.03
PG 48	7.8	70	P48-LN	2.270.4801.03	P48-LNB	2.270.4803.03
1/4"NPT	5.5	19	N14-LN	2.270.1401.06	N14-LNB	2.270.1403.06
3/8"NPT	6.8	24	N38-LN	2.270.3801.06	N38-LNB	2.270.3803.06
1/2"NPT	6	27	N12-LN	2.270.1201.06	N12-LNB	2.270.1203.06
3/4"NPT	6.5	32	N34-LN	2.270.3401.06	N34-LNB	2.270.3403.06
1"NPT	7	41	N100-LN	2.270.1001.06	N100-LNB	2.270.1003.06
1 1/4"NPT	7	50	N114-LN	2.270.5401.06	N114-LNB	2.270.5403.06
1 1/2"NPT	7.6	60	N112-LN	2.270.3201.06	N112-LNB	2.270.3203.06
2"NPT	9	70	N200-LN	2.270.2001.06	N200-LNB	2.270.2003.06
G(PF)1/4"	5.5	19	G14-LN	2.270.1401.05	G14-LNB	2.270.1403.05
G(PF)3/8"	6.8	24	G38-LN	2.270.3801.05	G38-LNB	2.270.3803.05
G(PF)1/2"	6.5	27	G12-LN	2.270.1201.05	G12-LNB	2.270.1203.05
G(PF)3/4"	6.5	32	G34-LN	2.270.3401.05	G34-LNB	2.270.3403.05
G(PF)1"	7	41	G100-LN	2.270.1001.05	G100-LNB	2.270.1003.05
G(PF)1 1/4"	7.3	50	G114-LN	2.270.5401.05	G114-LNB	2.270.5403.05
G(PF)1 1/2"	8.5	60	G112-LN	2.270.3201.05	G112-LNB	2.270.3203.05
G(PF)2"	9	70	G200-LN	2.270.2001.05	G200-LNB	2.270.2003.05





# 尼龙无圆边六角螺母

Hexagon Nylon Locknut without Round Edge

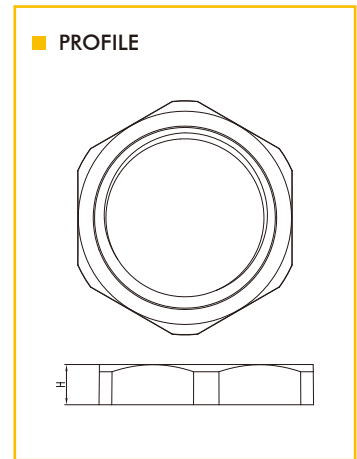


→ M/PG/NPT/G(PF)



材料: 采用UL认可的尼龙材料  
 工作温度: -40°C至100°C  
 颜色种类: 灰色、黑色,  
 其他颜色可定做  
 材料种类: V0或F1可定做

Material: PA (NYLON), UL 94 V-2  
 Working temperature: -40°C to 100°C  
 Color: Grey(RAL7035), Black(RAL9005),  
 other colors customized.  
 Material options: V0, or F1 can be offered upon request.



Thread ØD1	H mm	 mm	Beisit No. RAL7035	Article No. RAL7035	Beisit No. RAL9005	Article No. RAL9005
M10 x 1.5	5	15	M10-LN	2.272.1001.01	M10-LNB	2.272.1003.01
M12 x 1.5	5	17	M12-LN	2.272.1201.01	M12-LNB	2.272.1203.01
M16 x 1.5	5	22	M16-LN	2.272.1601.01	M16-LNB	2.272.1603.01
M20 x 1.5	5.7	27	M20-LN	2.272.2001.01	M20-LNB	2.272.2003.01
M25 x 1.5	6	32	M25-LN	2.272.2501.01	M25-LNB	2.272.2503.01
M32 x 1.5	7	41	M32-LN	2.272.3201.01	M32-LNB	2.272.3203.01
M40 x 1.5	7	50	M40-LN	2.272.4001.01	M40-LNB	2.272.4003.01
M50 x 1.5	8.5	60	M50-LN	2.272.5001.01	M50-LNB	2.272.5003.01
M63 x 1.5	8	75	M63-LN	2.272.6301.01	M63-LNB	2.272.6303.01
PG 7	5.7	17.5	P07-LN	2.272.0701.03	P07-LNB	2.272.0703.03
PG 9	5	22	P09-LN	2.272.0901.03	P09-LNB	2.272.0903.03
PG 11	5	24	P11-LN	2.272.1101.03	P11-LNB	2.272.1103.03
PG 13.5	5.7	27	P135-LN	2.272.1301.03	P135-LNB	2.272.1303.03
PG 16	5.7	30	P16-LN	2.272.1601.01	P16-LNB	2.272.1603.01
PG 19	6	30	P19-LN	2.272.1901.03	P19-LNB	2.272.1903.03
PG 29	7	46	P29-LN	2.272.2901.03	P29-LNB	2.272.2903.03
PG 36	7.6	60	P36-LN	2.272.3601.03	P36-LNB	2.272.3603.03
PG 42	64	7.5	P42-LN	2.272.4201.03	P42-LNB	2.272.4203.03
3/8"NPT	6.8	24	N38-LN	2.272.3801.06	N38-LNB	2.272.3803.06
1/2"NPT	6	27	N12-LN	2.272.1201.06	N12-LNB	2.272.1203.06
3/4"NPT	6.5	32	N34-LN	2.272.3401.06	N34-LNB	2.272.3403.06
1"NPT	7	41	N100-LN	2.272.1001.06	N100-LNB	2.272.1003.06
1 1/4"NPT	7	50	N114-LN	2.272.5401.06	N114-LNB	2.272.5403.06
1 1/2"NPT	7.6	60	N112-LN	2.272.3201.06	N112-LNB	2.272.3203.06
1/4"NPT	5.5	19	N14-LN	2.272.1401.06	N14-LNB	2.272.1403.06
2"NPT	9	70	N200-LN	2.272.2001.06	N200-LNB	2.272.2003.06
G(PF) 1 1/2"	8.5	60	G12-LN	2.272.3201.05	G12-LNB	2.272.3203.05
G(PF) 2"	15	70	G200-LN	2.272.2091.05	G200-LNB	2.272.2093.05



# M型/PG型/G(PF)型金属六角螺母

Metric Type/PG Type/G(PF) Type Metal LockNuts

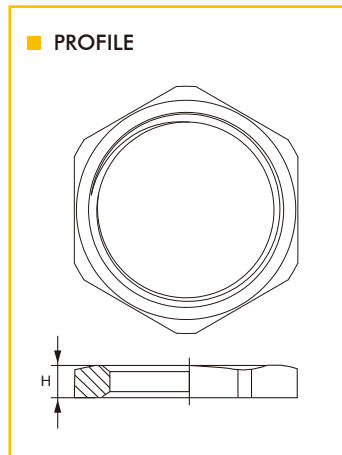


→ M/PG/G(PF)



材料: 黄铜镀镍  
工作温度: -70°C至200°C

Material: Nickel-plated brass  
Working temperature: -70°C to 200°C



Thread	H mm	mm	Beisit No.	Article No.
M12 x 1.5	2.6	15	M 12BR-LN	2.170.1201.01
M16 x 1.5	2.8	19	M 16BR-LN	2.170.1601.01
M20 x 1.5	3.0	23	M 20BR-LN	2.170.2001.01
M25 x 1.5	3.5	29	M 25BR-LN	2.170.2501.01
M32 x 1.5	4	36	M 32BR-LN	2.170.3201.01
M40 x 1.5	4.5	45	M 40BR-LN	2.170.4001.01
M50 x 1.5	5.5	55	M 50BR-LN	2.170.5001.01
M63 x 1.5	6	70	M 63BR-LN	2.170.6301.01
PG 7	2.7	15	P07BR-LN	2.170.0701.03
PG 9	3	18	P09BR-LN	2.170.0901.03
PG 11	3	21	P11BR-LN	2.170.1101.03
PG 13.5	3	23	P13BR-LN	2.170.1301.03
PG 16	3	26	P16BR-LN	2.170.1601.03
PG 21	3.5	32	P21BR-LN	2.170.2101.03
PG 29	4	41	P29BR-LN	2.170.2901.03
PG 36	5	51	P36BR-LN	2.170.3601.03
PG 42	5	60	P42BR-LN	2.170.4201.03
PG 48	5.5	64	P48BR-LN	2.170.4801.03
G(PF)1/4"	4	17	G14BR-LN	2.170.1401.05
G(PF)3/8"	4.5	19	G38BR-LN	2.170.3801.05
G(PF)1/2"	5	24	G12BR-LN	2.170.1201.05
G(PF)3/4"	5	30	G34BR-LN	2.170.3401.05
G(PF)1"	6	40	G100BR-LN	2.170.1001.05
G(PF)1 1/4"	6	50	G114BR-LN	2.170.5401.05
G(PF)1 1/2"	6	57	G112BR-LN	2.170.3201.05
G(PF)2"	6	64	G200BR-LN	2.170.2001.05



# M型/PG型带齿金属六角螺母

Metric Type/PG Type Serrated Metal Lock Nut

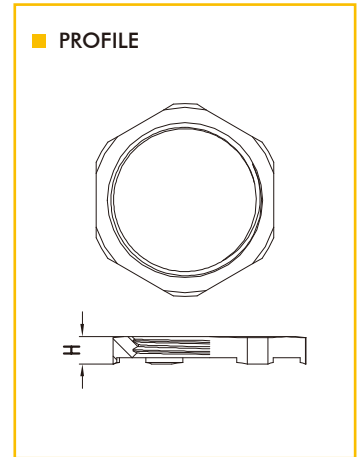


→ M/PG



材料: 黄铜镀镍  
 工作温度: -70°C至200°C  
 可选材料: 黄铜、不锈钢可选

Material: Nickel-plated brass  
 Working temperature: -70°C to 200°C  
 Material options: Brass or stainless steel



Thread ØD1	H mm	 mm	Beisit No.
M12 x 1.5	3.1	15	M12BR-LN-S
M16 x 1.5	3.4	19	M16BR-LN-S
M20 x 1.5	3.7	23	M20BR-LN-S
M25 x 1.5	4.5	29	M25BR-LN-S
M32 x 1.5	5.0	36	M32BR-LN-S
M40 x 1.5	5.5	45	M40BR-LN-S
M50 x 1.5	6.5	55	M50BR-LN-S
M63 x 1.5	7.0	70	M63BR-LN-S
M75 x 1.5	10.0	90	M75BR-LN-S
M80 x 2.0	14.0	96	M80BR-LN-S
M90 x 2.0	14.0	108	M90BR-LN-S
M100 x 2.0	14.0	123	M100BR-LN-S
PG 7	3.1	15	P07BR-LN-S
PG 9	3.7	18	P09BR-LN-S
PG 11	3.7	21	P11BR-LN-S
PG 13.5	3.7	23	P13BR-LN-S
PG 16	3.7	26	P16BR-LN-S
PG 21	4.5	32	P21BR-LN-S
PG 29	5.0	41	P29BR-LN-S
PG 36	6.0	51	P36BR-LN-S
PG 42	6.0	60	P42BR-LN-S
PG 48	6.5	64	P48BR-LN-S

备注: 实物尺寸会根据实际情况稍作调整    Remarks: The actual size will be slightly adjusted according to the actual situation.

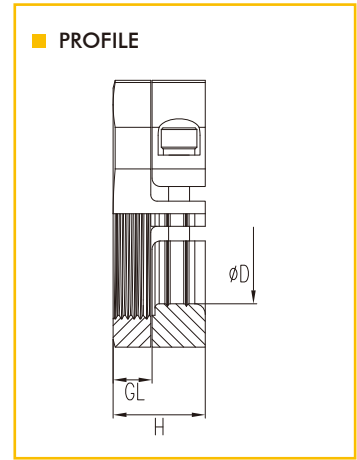


M型双锁紧六角螺母  
Metric Type Double-Locking Nuts



→ M CE IP68 RoHS

材料: 黄铜镀镍 Material: Nickel-plated brass



Overall  
整体



Lock Nut  
六角螺母



Fastening  
紧固螺丝



Locking block  
锁紧块



Thread ØD1	ØD mm	H mm	GL mm	mm	Beisit No.	Article No.
M40 x 1.5	24-28	21	9	45	M4028BR-NSR	2.173.4001.01
M40 x 1.5	27-32	21	9	45	M4032BR-NSR	2.173.4031.01
M50 x 1.5	32-39	22	9	57	M5039BR-NSR	2.173.5001.01
M50 x 1.5	37-43	22	9	60	M5043BR-NSR	2.173.5031.01

專利產品仿冒必究 Patented product. 可為客戶特殊定制 Special Customization is available.



## 工具

Tool-SS0-Type

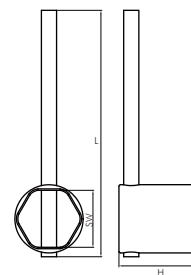


表面处理: 镀镍,手柄防滑  
应用领域: 适用工厂生产组装, 固定主体与六角.

Surface Treatment: Nickel Plating, Anti-slip Handle  
Application: For fixing body and lock nut tightly in assembly workshop.

Thread	SW mm	H mm	L mm	∅D mm	h mm	Beisit No.	Article No.
M20/PG16	24	50	190	5	6	BT-T-SS0 24	2.396.2401.50
M25/PG21	30	55	200	5	6	BT-T-SS0 30	2.396.3001.55
M32/PG29	40	75	210	5	6	BT-T-SS0 40	2.396.4001.75
M40/PG36	50	75	250	5	6	BT-T-SS0 50	2.396.5001.75
M50/PG42	60	86	260	5	6	BT-T-SS0 60	2.396.6001.86
M63/PG48	68	86	270	5	6	BT-T-SS0 68	2.396.6801.86

### PROFILE



## 工具

Tool-RS0-Type

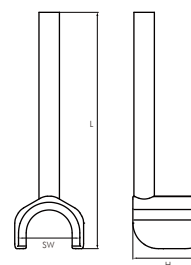


表面处理: 镀镍,手柄防滑  
应用领域: 适用于施工现场:迫帽紧固锁紧)电缆使用.

Surface Treatment: Nickel Plating, Anti-slip Handle  
Application: For fixing the sealing nut tightly on construction site.

Thread	SW mm	H mm	L mm	∅D mm	h mm	Beisit No.	Article No.
M20/PG16	24	30	180	5	6	BT-T-RS0 24	2.395.2401.30
M25/PG21	30	35	185	5	6	BT-T-RS0 30	2.395.3001.35
M32/PG29	40	55	200	5	6	BT-T-RS0 40	2.395.4001.55
M40/PG36	50	55	220	5	6	BT-T-RS0 50	2.395.5001.55
M50/PG42	60	66	230	5	6	BT-T-RS0 60	2.395.6001.66
M63/PG48	68	66	230	5	6	BT-T-RS0 68	2.395.6801.66

### PROFILE



## 工具

Tool-KS0-Type

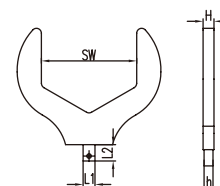


表面处理: 镀镍  
应用领域: 适用于工厂内部组装, 配合9X12方头、可换头扭力扳手使用;

Surface Treatment: Nickel Plating  
Application: Suitable for in-plant assembly with 9X12 square head, replaceable head torque wrench.

Thread	SW mm	H mm	L1 mm	L2 mm	h mm	Beisit No.	Article No.
M12/PG7	14/15	11	12	16.5	9	BT-T-KSO 14/15	2.393.1201.14/2.393.0701.15
M16S/PG9	17/19	11	12	16.5	9	BT-T-KSO 17/19	2.393.1601.17/2.393.0901.19
M16B/PG11	20/22	11	12	16.5	9	BT-T-KSO 20/22	2.393.1601.20/2.393.1101.22
M20S/PG13.5	22/24	11	12	16.5	9	BT-T-KSO 22/24	2.393.2001.22/2.393.1301.24
M20B/PG16	24/27	11	12	16.5	9	BT-T-KSO 24/27	2.393.2001.24/2.393.1601.27
M25/PG21	30/33	11	12	16.5	9	BT-T-KSO 30/33	2.393.2501.30/2.393.2101.33
M32/PG29	40/42	11	12	16.5	9	BT-T-KSO 40/42	2.393.3201.40/2.393.2901.42
M40/PG36	50/53	11	12	16.5	9	BT-T-KSO 50/53	2.393.4001.50/2.393.3601.53
M50/PG42	57/60/62	11	12	16.5	9	BT-T-KSO 57/60/62	2.393.5701.57/2.393.6001.60/2.393.6201.62
M63/PG48	64/65/68	11	12	16.5	9	BT-T-KSO 64/65/68	2.393.6401.64/2.393.6501.65/2.393.6801.68

### PROFILE



可为客户特殊定制 Special Customization is available. 专利产品仿冒必究 Patented product.



# M型/PG型/NPT型/G(PF)型圆形堵塞件

Metric Type /PG Type /NPT Type /G(PF) Type Nylon Screw Plugs



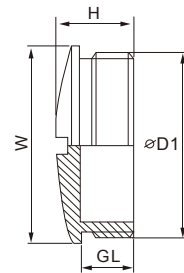
→ M/PG/NPT/G(PF)



材料: 采用UL认可的尼龙材料  
 O型圈: EPDM (可选硅橡胶, TPV, 氟橡胶等)  
 工作温度: -40°C至100°C  
 颜色种类: 灰色、黑色,  
 其他颜色可定做  
 材料种类: V0或F1可定做

Material: PA (NYLON), UL 94 V-2  
 O-Ring: EPDM (optional material, Silicone Rubber, TPV,FPM)  
 Working temperature: -40°C to100°C  
 Color: Grey(RAL7035), Black(RAL9005),  
 other colors customized.  
 Material options: V0, or F1 can be offered upon request.

## PROFILE



Thread øD1	GL mm	H mm	W mm	Beisit No. RAL7035 ●	Article No. RAL7035	Beisit No. RAL9005 ●	Article No. RAL9005
M 12	8.5	12.5	15	SPM1209	1.284.1201.4030-0	SPM1209B	1.284.1203.4030-0
M 16	8.5	13	19	SPM1609	1.284.1601.4030-0	SPM1609B	1.284.1603.4030-0
M 20	9.0	13	25	SPM2009	1.284.2001.4030-0	SPM2009B	1.284.2003.4030-0
M 20	7.3	11.3	25	SPM2007	1.284.2091.4030-0	SPM2007B	1.284.2093.4030-0
M 22	9	13	25	SPM2209		SPM2209B	
M 25	10.5	15.5	30	SPM2511	1.284.2501.4030-0	SPM2511B	1.284.2503.4030-0
M 32	10.5	16	38	SPM3211	1.284.3201.4030-0	SPM3211B	1.284.3203.4030-0
M 40	11.5	16	46	SPM4012	1.284.4001.4030-0	SPM4012B	1.284.4003.4030-0
M 50	13.5	18	56	SPM5014	1.284.5001.4030-0	SPM5014B	1.284.5003.4030-0
M 63	14	19	68	SPM6314	1.284.6301.4030-0	SPM6314B	1.284.6303.4030-0
PG 7	8.5	12.5	15	SPP0709	1.284.0701.4230-0	SPP0709B	1.284.0703.4230-0
PG 9	8.5	13	19	SPP0909	1.284.0901.4230-0	SPP0909B	1.284.0903.4230-0
PG 11	9	13	22	SPP1109	1.284.1101.4230-0	SPP1109B	1.284.1103.4230-0
PG 13.5	9	13	25	SPP1309	1.284.1301.4230-0	SPP1309B	1.284.1303.4230-0
PG 16	10.5	15	27	SPP1611	1.284.1601.4230-0	SPP1611B	1.284.1603.4230-0
PG 21	10.5	15.5	33	SPP2111	1.284.2101.4230-0	SPP2111B	1.284.2103.4230-0
PG 29	11.5	16	44	SPP2912	1.284.2901.4230-0	SPP2912B	1.284.2903.4230-0
PG 36	13.5	18	55	SPP3614	1.284.3601.4230-0	SPP3614B	1.284.3603.4230-0
PG 42	13.5	18.5	62	SPP4214	1.284.4201.4230-0	SPP4214B	1.284.4203.4230-0
PG 48	14.5	19.5	68	SPP4815	1.284.4801.4230-0	SPP4815B	1.284.4803.4230-0
NPT1/2	9	13	25	SPN1209		SPN1209B	
G(PF)1/4	6.5	10.5	17	SPG1407	1.284.1401.4530-0	SPG1407B	1.284.1403.4530-0
G(PF)3/8	8	12.4	20.5	SPG3808	1.284.3801.4530-0	SPG3808B	1.284.3803.4530-0
G(PF)1/2	8	12	26	SPG1208	1.284.1201.4530-0	SPG1208B	1.284.1203.4530-0
G(PF)3/4	10	15	32	SPG3410	1.284.3401.4530-0	SPG3410B	1.284.3403.4530-0
G(PF)1	12	17.5	40	SPG10012	1.284.1001.4530-0	SPG10012B	1.284.1003.4530-0
G(PF)1 1/4	13	17.5	49	SPG11413	1.284.5401.4530-0	SPG11413B	1.284.5403.4530-0





# M型/PG型尼龙六角形闷盖

Metric Type/PG Type Hexagon Nylon Screw Plug



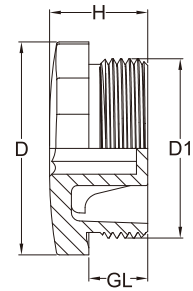
→ M/PG




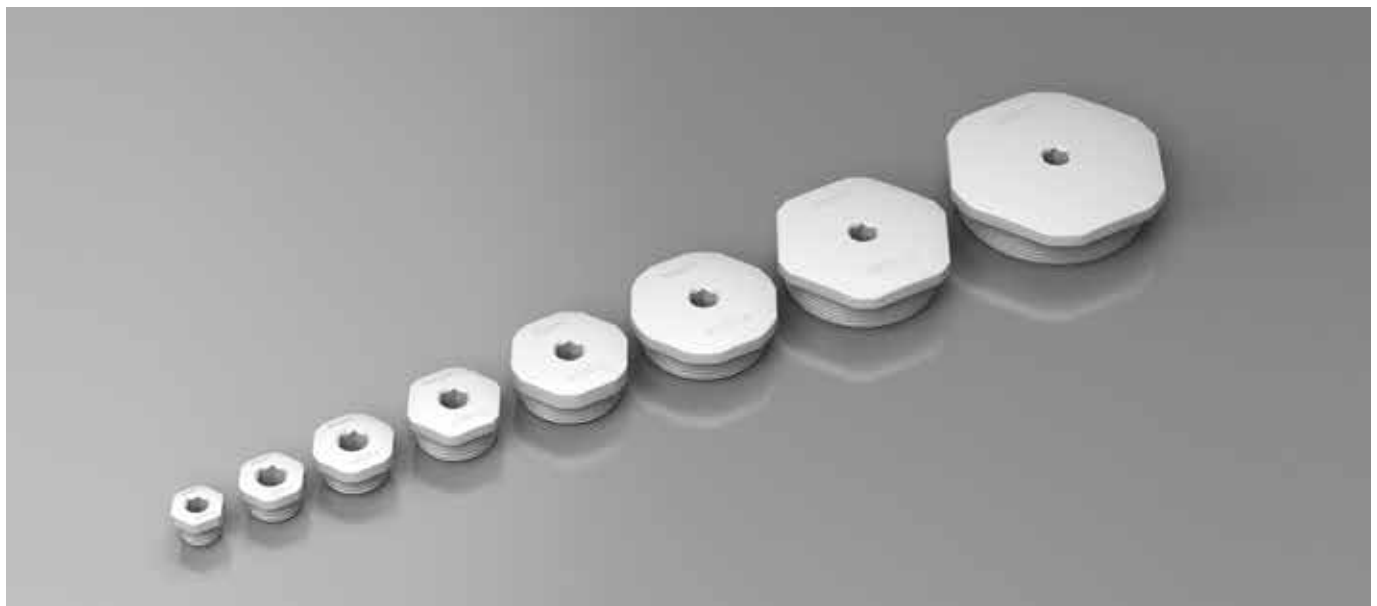
材料: 采用UL认可的尼龙材料  
 O型圈: EPDM  
 工作温度: -40°C至100°C  
 颜色种类: 灰色、黑色,  
 其他颜色可定做  
 材料种类: V0或F1可定做

Material: PA (NYLON), UL 94 V-2  
 O Ring: EPDM  
 Working temperature: -40°C to 100°C  
 Color: Grey(RAL7035), Black(RAL9005),  
 other colors customized.  
 Material options: V0, or F1 can be offered upon request.

■ PROFILE



Thread ∅D1	GL mm	H mm	D mm	W mm	 mm	Beisit No. RAL7035 ●	Beisit No. RAL9005 ●
M12	8.5	13	16.5	15	6	HSPM1209	HSPM1209B
M16	8.5	13	20.5	19	8	HSPM1609	HSPM1609B
M20	9	14.5	25.5	24	8	HSPM2009	HSPM2009B
M25	10.5	16	30.5	28	8	HSPM2511	HSPM2511B
M32	10.5	17.5	38	36	8	HSPM3211	HSPM3211B
M40	11.5	18	48	46	8	HSPM4012	HSPM4012B
M50	13.5	20	60	55	8	HSPM5014	HSPM5014B
M63	14	21	75	70	8	HSPM6314	HSPM6314B
PG 7	8.5	13	16.5	15	6	HSPPO709	HSPPO709B
PG 9	8.5	13	20.5	19	8	HSPPO909	HSPPO909B
PG 11	9	14.5	25.5	24	8	HSPP1109	HSPP1109B
PG 13.5	9	14.5	25.5	24	8	HSPP1309	HSPP1309B
PG 16	10.5	16	30.5	28	8	HSPP1611	HSPP1611B
PG 21	10.5	17.5	38	36	8	HSPP2111	HSPP2111B
PG 29	11.5	18	48	46	8	HSPP2912	HSPP2912B
PG 36	13.5	20	60	55	8	HSPP3614	HSPP3614B
PG 42	13.5	20	65	60	8	HSPP4214	HSPP4214B
PG 48	14	21	75	70	8	HSPP4814	HSPP4814B



# M型定制尼龙闷盖

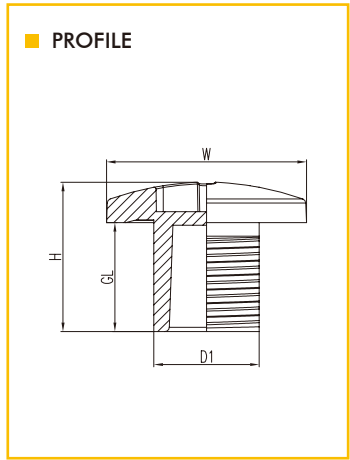
Metric Type Customization Nylon Screw Plug



→ M CE RoHS

材料: 采用UL认可的尼龙材料  
 工作温度: -40°C至100°C  
 颜色种类: 灰色、黑色,  
 其他颜色可定做  
 材料种类: V0或F1可定做

Material: PA (NYLON), UL 94 V-2  
 Working temperature: -40°C to 100°C  
 Color: Grey(RAL7035), Black(RAL9005),  
 other colors customized.  
 Material options: V0, or F1 can be offered upon request.



Thread ØD1	GL mm	H mm	W mm	Beisit No. RAL7035 ●	Beisit No. RAL9005 ●
M16 x 1.5	12	16.4	22	SPM1612	SPM1612B

可为客户特殊定制 Special Customization is available.



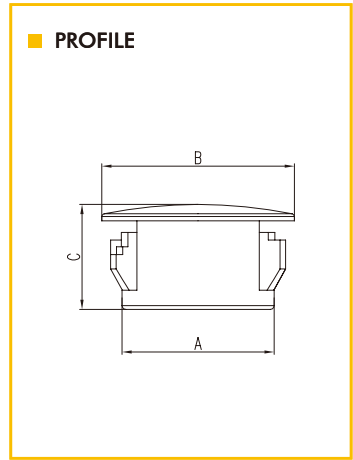
# 扣式塞头

Snap in Type Hole Plug



材料: 尼龙  
 工作温度: -40°C至100°C  
 颜色种类: 黑色

Material: PA  
 Working temperature: -40°C to 100°C  
 Color: Black



Model	A	B	C	Beisit No.
5	5.0	6.8	7.7	BST-SKT-5
6	6.0	7.9	7.7	BST-SKT-6
8	7.8	10.4	8.0	BST-SKT-7.8
10	9.5	13.1	10.0	BST-SKT-9.5
13	12.7	16.6	10.0	BST-SKT-12.7
14	14.0	16.7	10.0	BST-SKT-14
16	16.0	19.7	10.0	BST-SKT-16
19	19.0	23.2	10.0	BST-SKT-19
20	20.1	23.7	10.0	BST-SKT-20.1
22	22.1	26.0	11.5	BST-SKT-22.1
25	24.7	29.3	11.5	BST-SKT-24.7
30	30.0	34.7	11.5	BST-SKT-30
38	37.5	42.4	11.5	BST-SKT-37.5
40	39.5	45.5	11.5	BST-SKT-39.5
45	44.5	49.7	11.5	BST-SKT-44.5
50	49.5	54.7	11.5	BST-SKT-49.5



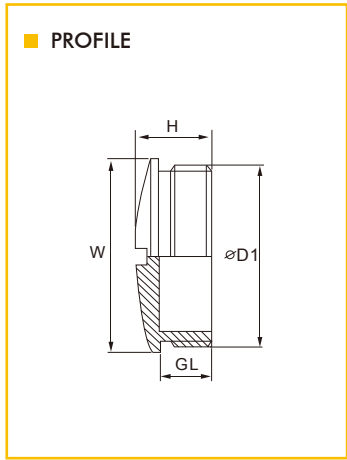
# M型/PG型金属圆形堵塞件

Metric Type/PG Type Metal Screw Plugs



→ M/PG CE IP68 RoHS

材料: 黄铜镀镍 Material: Nickel-plated brass  
 O型圈: EPDM (可选硅橡胶, TPV, 氟橡胶等) O-Ring EPDM (optional material, Silicone Rubber, TPV, FPM)  
 工作温度: -40°C至100°C Working temperature: -40°C to 100°C



注: 主体密封圈可选用PTFE材质垫片 Note: The washer could be made by PTFE on request.

Thread øD1	GL mm	H mm	W mm	Beisit No.	Article No.
M12 x 1.5	5	8	14	SPM1205BR	1.184.1201.4030-0
M16 x 1.5	5.5	8	19	SPM1606BR	1.184.1601.4030-0
M20 x 1.5	7	10	23	SPM2007BR	1.184.2001.4030-0
M25 x 1.5	7	11	28	SPM2507BR	1.184.2501.4030-0
M32 x 1.5	8	12	35	SPM3208BR	1.184.3201.4030-0
M40 x 1.5	9	13	44.5	SPM4009BR	1.184.4001.4030-0
M50 x 1.5	9	15	55.5	SPM5009BR	1.184.5001.4030-0
M63 x 1.5	10	16	67	SPM6310BR	1.184.6301.4030-0
PG 7	5	8	14	SPP0705BR	1.184.0701.4230-0
PG 9	5.5	8	19	SPP0906BR	1.184.0901.4230-0
PG 11	6	9	21	SPP1106BR	1.184.1101.4230-0
PG 13.5	7	10	23	SPP1307BR	1.184.1301.4230-0
PG 16	6.5	10	25	SPP1607BR	1.184.1601.4230-0
PG 21	7	11	28	SPP2107BR	1.184.2101.4230-0
PG 29	8	12	40	SPP2908BR	1.184.2901.4230-0
PG 36	9	13	44.5	SPP3609BR	1.184.3601.4230-0
PG 42	9	15	55.5	SPP4209BR	1.184.4201.4230-0
PG 48	10	16	67	SPP4810BR	1.184.4801.4230-0



# M型/PG型六角形金属闷盖

Metric Type/PG Type Metal Hexagon Screw Plugs

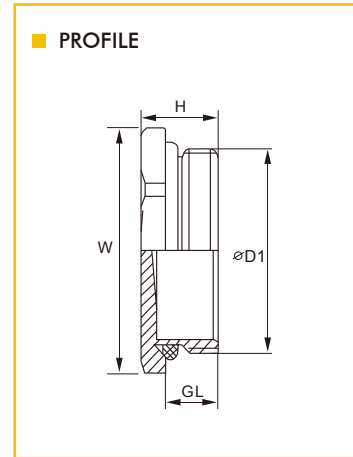


→ M/PG

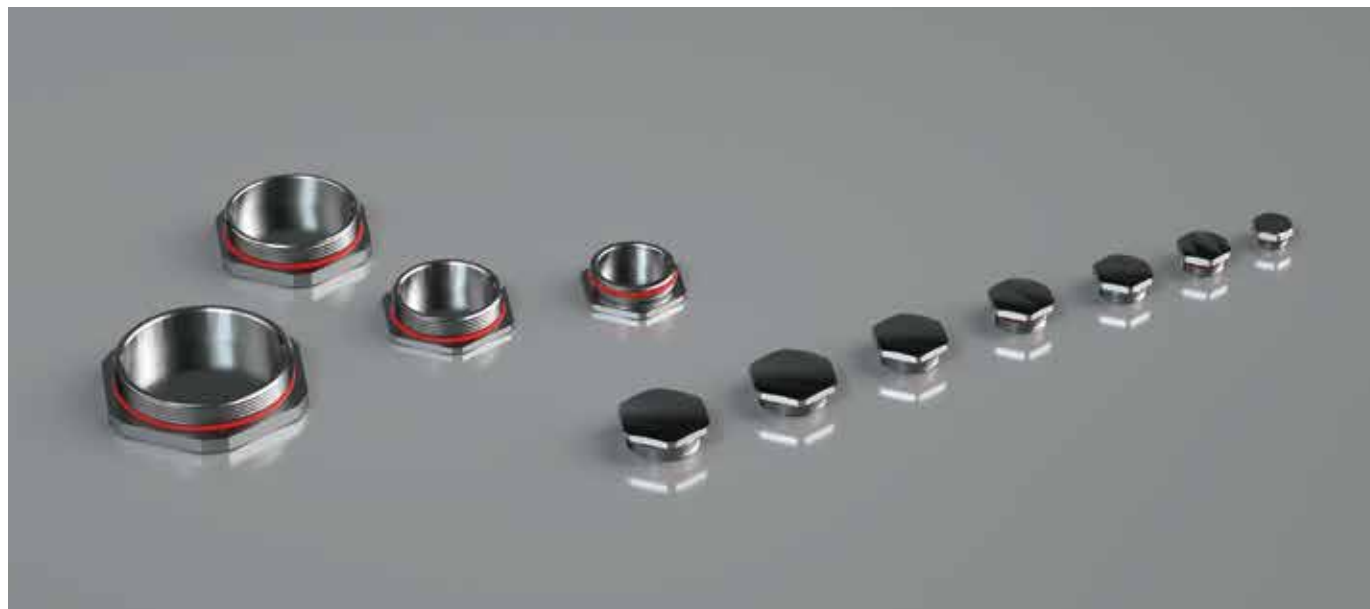
CE IP68 RoHS

材料: 黄铜镀镍  
 O型圈: EPDM (可选硅橡胶, TPV, 氟橡胶等)  
 工作温度: -40°C至100°C

Material: Nickel-plated brass  
 O-Ring: EPDM (optional material, Silicone Rubber, TPV, FPM)  
 Working temperature: -40°C to 100°C



Thread øD1	GL mm	H mm	W mm	Beisit No.	Article No.
M12 x 1.5	5	8	14	HSPM1205BR	1.183.1201.4030-0
M16 x 1.5	6	9	18	HSPM1606BR	1.183.1601.4030-0
M18 x 1.5	6	9	20	HSPM1806BR	1.183.1801.4030-0
M20 x 1.5	7	10	22	HSPM2007BR	1.183.2001.4030-0
M22 x 1.5	7	10	25	HSPM2207BR	1.183.2201.4030-0
M25 x 1.5	7	10	29	HSPM2507BR	1.183.2501.4030-0
M27 x 1.5	8	11	30	HSPM2708BR	1.183.2701.4030-0
M32 x 1.5	8	11	36	HSPM3208BR	1.183.3201.4030-0
M40 x 1.5	9	12	45	HSPM4009BR	1.183.4001.4030-0
M50 x 1.5	9	15	55	HSPM5009BR	1.183.5001.4030-0
M63 x 1.5	10	16	70	HSPM6310BR	1.183.6301.4030-0
PG 7	5	8	14	HSPPO705BR	1.183.0701.4230-0
PG 9	6	9	17	HSPPO906BR	1.183.0901.4230-0
PG 11	6	9	20	HSPP1106BR	1.183.1101.4230-0
PG 13.5	7	10	22	HSPP1307BR	1.183.1301.4230-0
PG 16	7	10	24	HSPP1607BR	1.183.1601.4230-0
PG 21	7	11	30	HSPP2107BR	1.183.2101.4230-0
PG 29	8	12	40	HSPP2908BR	1.183.2901.4230-0
PG 36	9	15	50	HSPP3609BR	1.183.3601.4230-0
PG 42	10	16	60	HSPP4210BR	1.183.4201.4230-0
PG 48	10	16	64	HSPP4810BR	1.183.4801.4230-0



# M型/PG型金属缩径环

Metric Type/PG Type Metallic Thread Reducer



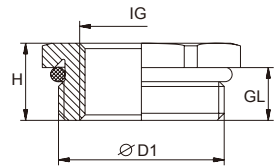
→ M/PG



材料: 黄铜镀镍  
 O型圈: EPDM (可选硅橡胶, TPV, 氟橡胶等)  
 工作温度: -40°C至100°C

Material: Nickel-plated brass  
 O-Ring: EPDM (optional material, Silicone Rubber, TPV,FPM)  
 Working temperature: -40°C to100°C

## PROFILE



Thread ØD1	IG mm	GL mm	H mm	mm	Beisit No.	Article No.
M16 x 1.5	M12 x 1.5	5	8	17	M1612BRR	1.182.1601.4030-0
M20 x 1.5	M12 x 1.5	6	9	22	M2012BRR	1.182.2001.4030-0
M20 x 1.5	M16 x 1.5	6	9	22	M2016BRR	1.182.2001.5030-0
M25 x 1.5	M16 x 1.5	7	10	27	M2516BRR	1.182.2501.4030-0
M25 x 1.5	M20 x 1.5	7	10	27	M2520BRR	1.182.2501.5030-0
M32 x 1.5	M16 x 1.5	8	11	34	M3216BRR	1.182.3201.4030-0
M32 x 1.5	M20 x 1.5	8	11	34	M3220BRR	1.182.3201.5030-0
M32 x 1.5	M25 x 1.5	8	11	34	M3225BRR	1.182.3201.6030-0
M40 x 1.5	M20 x 1.5	8	12	43	M4020BRR	1.182.4001.4030-0
M40 x 1.5	M25 x 1.5	8	12	43	M4025BRR	1.182.4001.5030-0
M40 x 1.5	M32 x 1.5	8	12	43	M4032BRR	1.182.4001.6030-0
M50 x 1.5	M25 x 1.5	9	13	55	M5025BRR	1.182.5001.4030-0
M50 x 1.5	M32 x 1.5	9	13	55	M5032BRR	1.182.5001.5030-0
M50 x 1.5	M40 x 1.5	9	13	55	M5040BRR	1.182.5001.6030-0
M63 x 1.5	M32 x 1.5	10	14	65	M6332BRR	1.182.6301.4030-0
M63 x 1.5	M40 x 1.5	10	14	65	M6340BRR	1.182.6301.5030-0
M63 x 1.5	M50 x 1.5	10	14	65	M6350BRR	1.182.6301.6030-0
PG 9	PG 7	6	8.8	17	P0907BRR	1.182.0901.4230-0
PG 11	PG 7	6	9	20	P1107BRR	1.182.1101.4230-0
PG 11	PG 9	6	9	20	P1109BRR	1.182.1101.5230-0
PG 13.5	PG 9	6.5	9.5	22	P1309BRR	1.182.1301.4230-0
PG 13.5	PG 11	6.5	9.5	22	P1311BRR	1.182.1301.5230-0
PG 16	PG 9	6.5	9.5	24	P1609BRR	1.182.1601.4230-0
PG 16	PG 11	6.5	9.5	24	P1611BRR	1.182.1601.5230-0
PG 16	PG 13.5	6.5	9.5	24	P16135BRR	1.182.1601.6230-0
PG 21	PG 11	7	10.3	30	P2111BRR	1.182.2101.4230-0
PG 21	PG 13.5	7	10.3	30	P21135BRR	1.182.2101.5230-0
PG 21	PG 16	7	10.3	30	P2116BRR	1.182.2101.6230-0
PG 29	PG 16	7	11.5	40	P2916BRR	1.182.2901.4230-0
PG 29	PG 21	7	11.5	40	P2921BRR	1.182.2901.5230-0
PG 36	PG 21	8	12.5	50	P3621BRR	1.182.3601.4230-0
PG 36	PG 29	8	12.5	50	P3629BRR	1.182.3601.5230-0
PG 42	PG 29	10	13.5	57	P4229BRR	1.182.4201.4230-0
PG 42	PG 36	10	13.5	57	P4236BRR	1.182.4201.5230-0
PG 48	PG 36	10	13.5	64	P4836BRR	1.182.4801.4230-0
PG 48	PG 42	10	13.5	64	P4842BRR	1.182.4801.5230-0





# M型/PG型金属扩径环

Metric Type/PG Type Metal Thread Enlarger



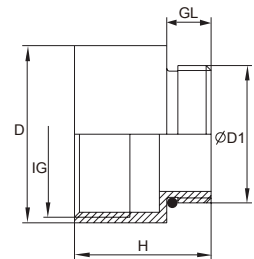
→ M/PG



材料: 黄铜镀镍  
 O型圈: EPDM (可选硅橡胶, TPV, 氟橡胶等)  
 工作温度: -40°C至100°C

Material: Nickel-plated brass  
 O-Ring: EPDM (optional material, Silicone Rubber, TPV,FPM)  
 Working temperature: -40°C to 100°C

## PROFILE



Thread ØD1	IG mm	GL mm	H mm	D mm	Beisit No.	Article No.
M12 x 1.5	M16 x 1.5	5	15	18	M1216BRE	1.181.1201.4030-0
M16 x 1.5	M20 x 1.5	6	17.5	22	M1620BRE	1.181.1601.4030-0
M20 x 1.5	M25 x 1.5	6.5	19	27	M2025BRE	1.181.2001.4030-0
M25 x 1.5	M32 x 1.5	6.5	21	34	M2532BRE	1.181.2501.4030-0
M32 x 1.5	M40 x 1.5	7	23	42	M3240BRE	1.181.3201.4030-0
M40 x 1.5	M50 x 1.5	9	31	53	M4050BRE	1.181.4001.4030-0
M50 x 1.5	M63 x 1.5	9	31	66	M5063BRE	1.181.5001.4030-0
PG 7	PG 9	5	15	17	P0709BRE	1.181.0701.4230-0
PG 9	PG 11	6	16.5	20	P0911BRE	1.181.0901.4230-0
PG 9	PG 13.5	6	17.5	22	P09135BRE	1.181.0901.5230-0
PG 11	PG 13.5	6	17.5	22	P11135BRE	1.181.1101.4230-0
PG 11	PG 16	6	18.5	24	P1116BRE	1.181.1101.5230-0
PG 11	PG 21	6	20.5	30	P1121BRE	1.181.1101.6230-0
PG 13.5	PG 16	6.5	19	24	P13516BRE	1.181.1301.4230-0
PG 13.5	PG 21	6.5	21	30	P13521BRE	1.181.1301.5230-0
PG 16	PG 21	6.5	21	30	P1621BRE	1.181.1601.4230-0
PG 16	PG 29	6.5	22.5	39	P1629BRE	1.181.1601.5230-0
PG 21	PG 29	7	23	39	P2129BRE	1.181.2101.4230-0
PG 29	PG 36	8	27.5	50	P2936BRE	1.181.2901.4230-0
PG 36	PG 42	9	31	57	P3642BRE	1.181.3601.4230-0
PG 42	PG 48	10	33	64	P4248BRE	1.181.4201.4230-0



# M-PG型/M-NPT型/PG-M型/PG-NPT型金属变径环

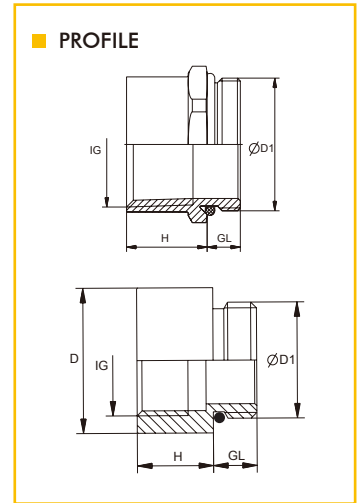
Metric-PG /Metric-NPT/PG-Metric Type/PG-NPT Type Metallic Thread Adaptor



→ PG-M/PG-NPT CE IP68 RoHS

材料: 黄铜镀镍  
 O型圈: EPDM (可选硅橡胶, TPV, 氟橡胶等)  
 工作温度: -40°C至100°C

Material: Nickel-plated brass  
 O-Ring: EPDM (optional material, Silicone Rubber, TPV,FPM)  
 Working temperature: -40°C to 100°C



Thread ØD1	IG mm	GL mm	H mm	U mm	Beisit No.	Article No.
M 16 x 1.5	PG 9	6	10.5	20	M16P09BRA	1.180.1601.4030-0
M 20 x 1.5	PG 11	6.5	12.5	22	M20P11BRA	1.180.2001.4030-0
M 20 x 1.5	PG 13.5	6.5	12.5	22	M20P135BRA	1.180.2001.5030-0
M 20 x 1.5	PG 16	6.5	12.5	24	M20P16BRA	1.180.2001.6030-0
M 25 x 1.5	PG 16	6.5	12.5	28	M25P16BRA	1.180.2501.4030-0
M 25 x 1.5	PG 21	6.5	14.5	30	M25P21BRA	1.180.2501.5030-0
M 32 x 1.5	PG 29	7	16	40	M32P29BRA	1.180.3201.4030-0
M 16 x 1.5	1/2" NPT	6	17	24	M16N12BRA	1.180.1601.5030-0
M 20 x 1.5	1/2" NPT	6	17	24	M20N12BRA	1.180.2001.7030-0
M 25 x 1.5	1/2" NPT	7	18	30	M25N12BRA	1.180.2501.6030-0
M 25 x 1.5	3/4" NPT	7	19	30	M25N34BRA	1.180.2501.7030-0
M 32 x 1.5	1" NPT	8	25	40	M32N100BRA	1.180.3201.5030-0
M 32 x 1.5	1 1/4" NPT	8	25	46	M32N114BRA	1.180.3201.6030-0
PG 9	M16 x 1.5	6	10.5	20	P09M16BRA	1.180.0901.4230-0
PG 11	M20 x 1.5	6.5	12.5	22	P11M20BRA	1.180.1101.4230-0
PG 13.5	M20 x 1.5	6.5	12.5	22	P135M20BRA	1.180.1301.4230-0
PG 16	M25 x 1.5	6.5	14.5	27	P16M25BRA	1.180.1601.4230-0
PG 11	1/2" NPT	6	16.7	24	P11N12BRA	1.180.1101.5230-0
PG 13.5	1/2" NPT	6.5	17	24	P135N12BRA	1.180.1301.5230-0
PG 16	1/2" NPT	6.5	16.5	24	P16N12BRA	1.180.1601.5230-0
PG 21	1/2" NPT	7	18	30	P21N12BRA	1.180.2101.4230-0
PG 21	3/4" NPT	7	18	30	P21N34BRA	1.180.2101.5230-0
PG 29	1" NPT	8	20	40	P29N100BRA	1.180.2901.4230-0



## 电缆引入系统

Cable Entry System



### 应用领域 Application Fields

- 电力柜、机械工程、车辆工程、工业自动化、铁路、可再生能源（风能、太阳能等）  
Power Cabinet、Machinery、Vehicle、industry automation、Railway、renewable energy(wind、solar power etc)

### 特点 Features

- 能满足IP54-IP68防护等级 IP54-IP68
- 金属或塑料骨架强化的一体化设计 Integrated design with metal or plastic skeleton reinforcement
- 不需要任何额外的垫圈或密封，简单易用 Easy for installation without using extra sealing or washer
- 适用于中低电流的线缆和不同形式管线的密封 Cable entry system for routing various cables, provide sealing for wide range of cable
- 产品符合B/C/H等各种标准工业开口 Applicable to Type B/C/H in term of wall thickness
- 符合RoHS和Reach标准 RoHS&Reach compliance
- 具有良好的耐候性、耐紫外线和抗臭氧性 Excellent climate resistance, UV proction and Ozone resistance

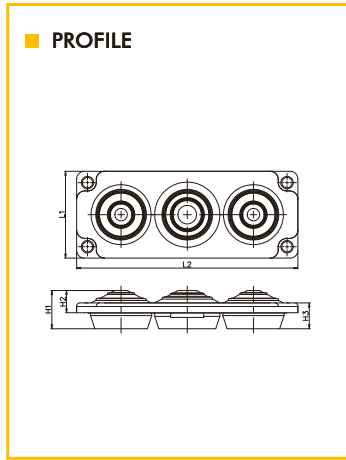
# 多孔方形密封穿线板

Cable Entry Plates-Square type with multi-hole



IP66/67 CE RoHS

支撑板材料: 镀锌板、不锈钢板、铝板、塑料板 Plate: Zinc Plated、Stainless steel、Aluminum、Plastic  
 弹性体材料: 合成橡胶 Elastomer: Synthetic rubber  
 工作温度: -40℃至100℃ Working temperature: -40 C to100 C  
 颜色: 灰色(RAL 7035)、黑色(RAL9005) Materia Color: Grey(RAL7035), Black(RAL9005)  
 阻燃等级: UL94-V0 Flammability Rating: UL94-V0



Beisit No.	∅ mm	L1 mm	L2 mm	H1 mm	H2 mm	H3 mm	Cut-out dimensions
BST-TP-H7	4x (10-14) 2x (24-54) 1x (30-60)	92	222	76	53	33	A型
BST-TP-H27	4x (5-7) 4x (8-12) 13x (10-14) 4x (14-20) 2x (20-26)	92	222	43	30	23	A型
BST-TP-H37	4x (6-10) 14x (8-12) 16x (10-14) 2x (12-18) 1x (17-32)	92	222	43	30	23	A型
BST-TP-H10	2x (7-12) 8x (10-30)	84	216	48	45	22	A型
BST-TP-H16	15x (10-20) 1x (10-30)	84	216	31	45	22	A型

注: 其他型号可根据需求定制 Note: Other models can be customized according to customer requirements



# 多孔圆形密封穿线板

Perforated circular sealing threading plate



IP66/68 REACH CE RoHS

支撑板材料: 聚酰胺 (适用于螺纹连接) 镀锌板、Plate: PA (For Thread Version) Zinc Plated、  
 不锈钢板、铝板 (适用于法兰连接) Stainless steel、Aluminum (For Flange Version)  
 弹性体材料: 合成橡胶 Elastomer: Synthetic Rubber  
 工作温度: -40°C至100°C Working temperature: -40 C to100 C  
 颜色: 灰色(RAL 7035)、黑色(RAL9005) Materia Color: Grey(RAL7035), Black(RAL9005)  
 阻燃等级: UL94-V0 Flammability Rating: UL94-V0

## PROFILE



Thread ØD1	Beisit No.	Øk mm	H mm	D mm	thread length	Cut-out dimensions
M32 x 1.5	BST-TP-M32	3x (3.2-6.5) 1x (7.2-12.5)	8	44	11	32.3
M40 x 1.5	BST-TP-M40	4x (3.2-6.5) 4x (5-10.2)	8	52	13	40.3
M50 x 1.5	BST-TP-M50	5x (5-10.2) 3x (7.2-12.5)	8	62	13	50.4
M63 x 1.5	BST-TP-M63	1x (3.2-6.5) 3x (5-10.2) 4x (9-16.2) 1x (16-22)	8	75	14	63.4

备注: 圆形型螺纹连接法兰连接可选 Remark : Round Shape Grommets available to flange version



## 宝塔型密封穿线板

Cable Entry Grommets



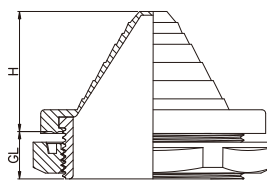
IP66/68 REACH CE RoHS

支撑板材料: 聚酰胺 (适用于螺纹连接) 镀锌板、Plate: PA (For Thread Version) Zinc Plated、  
 不锈钢板、铝板 (适用于法兰连接) Stainless steel、Aluminum (For Flange Version)  
 弹性体材料: 合成橡胶 Elastomer: Synthetic Rubber  
 工作温度: -40°C至100°C Working temperature: -40 C to100 C  
 颜色: 灰色(RAL 7035)、黑色(RAL9005) Materia Color: Grey(RAL7035), Black(RAL9005)  
 阻燃等级: UL94-V0 Flammability Rating: UL94-V0

Thread øD1	Beisit No.	mm	D mm	thread length	Cut-out dimensions
M25 x 1.5	BST-PT-M25	3-12	39	11	25.2
M32 x 1.5	BST-PT-M32	6-18	46	11	32.3
M40 x 1.5	BST-PT-M40	12-27	54	13	40.3
M50 x 1.5	BST-PT-M50	22-36	64	13	50.4
M63 x 1.5	BST-PT-M63	27-50	77	14	63.4

备注: 宝塔型螺纹连接法兰连接可选 Remark : Cone shape Grommets available to flange version

### PROFILE



## 宝塔型密封穿线板

Cable Entry Grommets

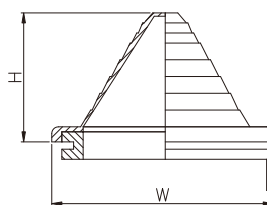
IP67 REACH CE RoHS

支撑板材料: 聚酰胺 (适用于螺纹连接) 镀锌板、Plate: PA (For Thread Version) Zinc Plated、  
 不锈钢板、铝板 (适用于法兰连接) Stainless steel、Aluminum (For Flange Version)  
 弹性体材料: 合成橡胶 Elastomer: Synthetic Rubber  
 工作温度: -40°C至100°C Working temperature: -40 C to100 C  
 颜色: 灰色(RAL 7035)、黑色(RAL9005) Materia Color: Grey(RAL7035), Black(RAL9005)  
 阻燃等级: UL94-V0 Flammability Rating: UL94-V0

Beisit No.	mm	H mm	L mm	W mm	Cut-out dimensions
BST-PT-55	10-35	38.5	68	66	55*57.5

备注: 卡接型 Remark : Clamping type

### PROFILE



注: 其他型号可根据需求定制 Note: Other models can be customized according to customer requirements





## 单孔穿线护套

Single hole threading sheath



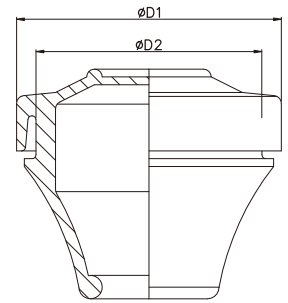
IP67 REACH CE RoHS

弹性体材料: 合成橡胶      Elastomer: Synthetic Rubber  
 工作温度: -40°C至100°C      Working temperature: -40 C to100 C  
 颜色: 灰色(RAL 7035)、黑色(RAL9005)      Materia Color: Grey(RAL7035), Black(RAL9005)  
 阻燃等级: UL94-V0      Flammability Rating: UL94-V0

Beisit No.	∅k mm	(∅ D1) Max.O.D	(∅ D2) hole sizes	Plate Thickness
BST-SS-5	3-5	20	13	1-5
BST-SS-7	5-7	20	16	1-5
BST-SS-10	7-10	24	19	1-5
BST-SS-14	10-14	29	23	1-5
BST-SS-20	14-20	34	29	1-5
BST-SS-26	20-26	46	38	1-5
BST-SS-35	26-35	57	48	1-5
BST-SS-45	30-45	69	60	1-5
BST-SS-60	40-60	89	80	1-5

备注: 适用于中低电流的线缆密封      Remark : For Low Current Rating Cable Sealing

### PROFILE



## 单孔软管护套

Single hole flexible pipe sheath



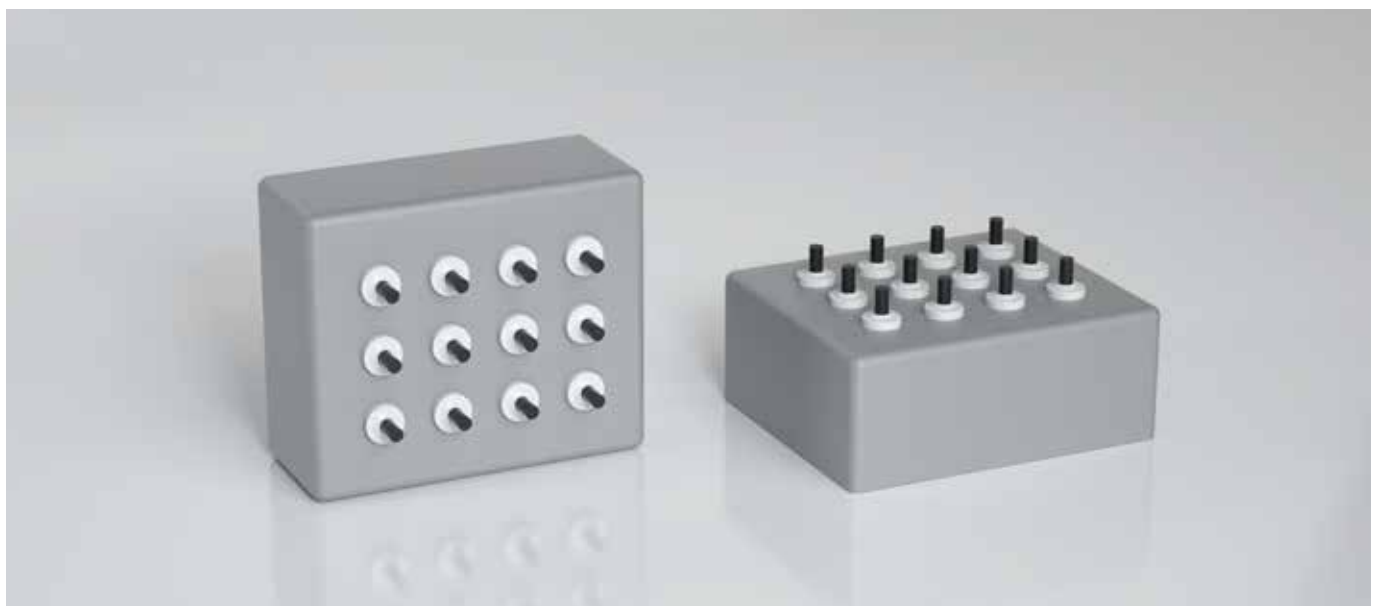
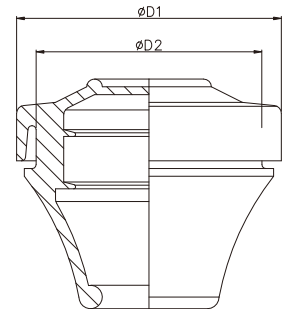
IP67 REACH CE RoHS

弹性体材料: 合成橡胶      Elastomer: Synthetic Rubber  
 工作温度: -40°C至100°C      Working temperature: -40 C to100 C  
 颜色: 灰色(RAL 7035)、黑色(RAL9005)      Materia Color: Grey(RAL7035), Black(RAL9005)  
 阻燃等级: UL94-V0      Flammability Rating: UL94-V0

Beisit No.	AD mm	(∅ D1) Max.O.D	(∅ D2) hole sizes	Plate Thickness
BST-STP-AD10	10	20	16	1-5
BST-STP-AD13	13	24	19	1-5
BST-STP-AD15.8	15.8	29	23	1-5
BST-STP-AD21.2	21.2	34	29	1-5
BST-STP-AD28.5	28.5	46	38	1-5
BST-STP-AD34.5	34.5	57	48	1-5
BST-STP-AD42.5	42.5	69	60	1-5
BST-STP-AD54.5	54.5	89	80	1-5

备注: 适用于尼龙波纹管      Remark : For conduits

### PROFILE



型号 Type	安装尺寸图 Cut-out dimensions	连接方式/适用地区 Connect Way/ Application Area
A		
B		
C		
D		
E		
F		<p>法兰连接/适用于全球大部分地区 Flange Connection/ Apply for most area all over the world</p>

法兰连接/适用于全球大部分地区  
Flange Connection/  
Apply for most area all over the world



**应用领域**

Application Fields

1. 轨道交通
2. 风能, 太阳能
3. 安防产品
4. 户外照明
5. 油气田
6. 重载连接器
7. 机床设备
8. 成套电气

1. Rail Transit (High-Speed Railway)
2. Wind Energy, Solar Energy
3. Safety Protection
4. Outdoor Lighting
5. Oil and Gas Fields
6. Heavy Duty Connectors
7. Lathe Equipment
8. Electric Power Set

BEISIT Electric >

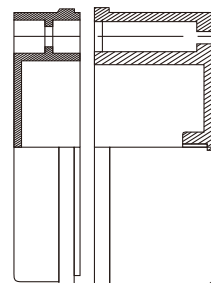
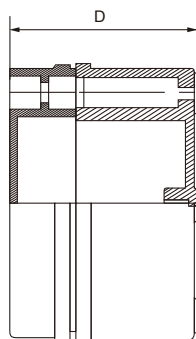
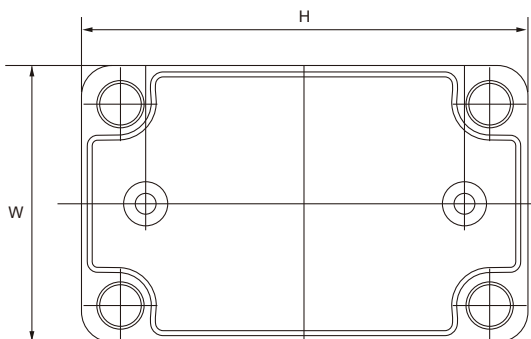
# 金属防水盒

Metal Waterproof Enclosure



材料: 铸铝, ZL  
 防护等级: IP65, IP66 IEC 60529  
 抗冲击性: IK07, IEC 62262  
 温度范围: -40°C 至 90°C  
 表面处理: 标准热固粉末涂层, 波纹饰面  
 颜色: RAL7038

Material: Aluminum, ZL  
 Protection Degree: IP65, IP66 IEC 60529  
 Resistance to impact: IK07, IEC 62262  
 Temperature Range: -40°C to 90°C  
 Paint Finish: Epoxy polyester powder coating  
 Color: RAL7038



MODEL	W x H x D
LV0605	64 x 58 x 37
LV1106	115 x 65 x 55
LV1106-1	110 x 64 x 37
LV0807	80 x 75 x 57
LV1208	120 x 80 x 55
LV1208-1	120 x 80 x 65
LV1308	185 x 135 x 85
LV1708	174 x 78 x 57
LV2508	250 x 80 x 65
LV2508-1	250 x 80 x 80
LV1409	148 x 98 x 43

MODEL	W x H x D
LV1610	160 x 100 x 65
LV1212	120 x 120 x 82
LV1812	188 x 120 x 78
LV1414	140 x 140 x 75
LV2214-1	220 x 155 x 95
LV2214-2	220 x 120 x 90
LV2315	230 x 150 x 75
LV1616	160 x 160 x 90
LV1616-1	160 x 160 x 85
LV2616	260 x 160 x 90

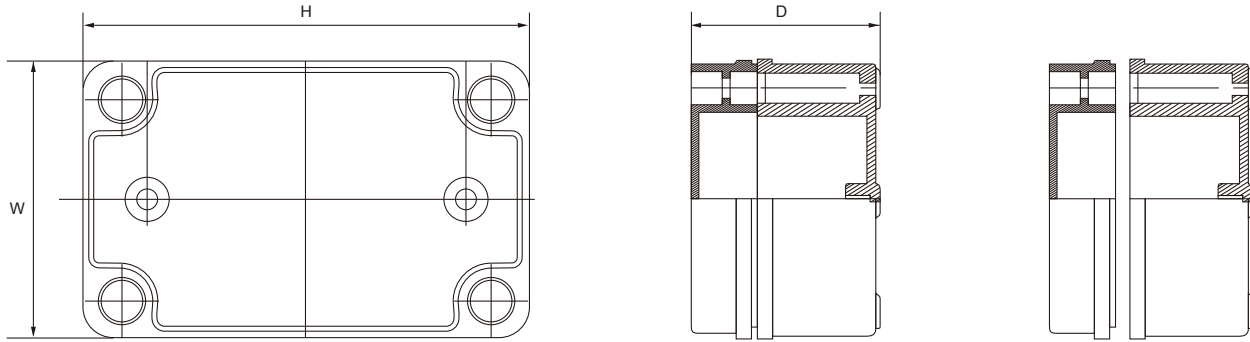
MODEL	W x H x D
LV2416-1	240 x 160 x 100
LV1418	140 x 140 x 100
LV2823	280 x 230 x 110
LV3323-1	330 x 230 x 120
LV1925	250 x 190 x 90

可为客户特殊定制其他尺寸 Special Customization is available.



→ ABS/PC CE RoHS

材料:	ABS塑料/PC塑料	Material:	ABS Plastic/PC Plastic
防护等级:	IP65.IP66 IEC 60529	Protection Degree:	IP65. IP66 IEC 60529
温度范围:	-40℃ 至 80℃	Temperature Range:	-40 C to 80 C
颜色:	灰色(彩色定制)/透明	Color:	Grey (Color customization)/Clear



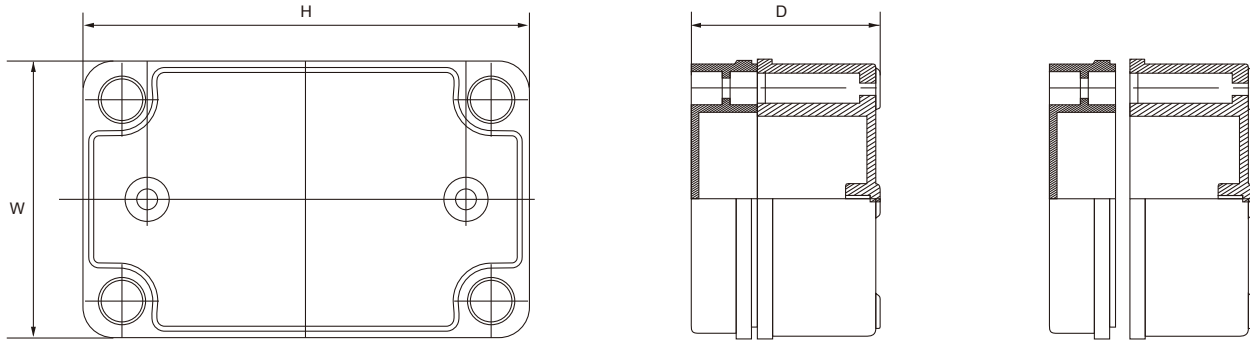
ABS	ABS body+ PC transparent Cover	Overall PC	PC + transparent cover	Dimension H W D
BT-AG-1010-1	BT-AT-1010-1	BT-PG-1010-1	BT-PT-1010-1	96 x 96 x 60
BT-AG-1010	BT-AT-1010	BT-PG-1010	BT-PT-1010	100 x 100 x 75
BT-AG-1212	BT-AT-1212	BT-PG-1212	BT-PT-1212	125 x 125 x 75
BT-AG-0813	BT-AT-0813	BT-PG-0813	BT-PT-0813	130 x 80 x 70
BT-AG-1013	BT-AT-1013	BT-PG-1013	BT-PT-1013	130 x 93 x 57
BT-AG-1318	BT-AT-1318	BT-PG-1318	BT-PT-1318	180 x 130 x 90
BT-AG-1919	BT-AT-1919	BT-PG-1919	BT-PT-1919	190 x 190 x 130
BT-AG-1520	BT-AT-1520	BT-PG-1520	BT-PT-1520	200 x 150 x 100

可为客户特殊定制其他尺寸 Special Customization is available.



→ ABS/PC CE RoHS

材料:	ABS塑料/PC塑料	Material:	ABS Plastic/PC Plastic
防护等级:	IP65.IP66 IEC 60529	Protection Degree:	IP65. IP66 IEC 60529
温度范围:	-40℃ 至 80℃	Temperature Range:	-40 C to 80 C
颜色:	灰色(彩色定制)/透明	Color:	Grey (Color customization)/Clear



ABS	ABS body+ PC transparent Cover	Overall PC	PC + transparent cover	Dimension H W D
BT-AG-1928	BT-AT-1928	BT-PG-1928	BT-PT-1928	280 x 190 x 130
BT-AG-1928-1	BT-AT-1928-1	BT-PG-1928-1	BT-PT-1928-1	280 x 190 x 180
BT-AG-2828	BT-AT-2828	BT-PG-2828	BT-PT-2828	280 x 280 x 130
BT-AG-2828-1	BT-AT-2828-1	BT-PG-2828-1	BT-PT-2828-1	280 x 280 x 180
BT-AG-1938	BT-AT-1938	BT-PG-1938	BT-PT-1938	380 x 190 x 130
BT-AG-1938-1	BT-AT-1938-1	BT-PG-1938-1	BT-PT-1938-1	380 x 190 x 180
BT-AG-2838	BT-AT-2838	BT-PG-2838	BT-PT-2838	380 x 280 x 130
BT-AG-2838-1	BT-AT-2838-1	BT-PG-2838-1	BT-PT-2838-1	380 x 280 x 180

可为客户特殊定制其他尺寸 Special Customization is available.





**倍仕得电气科技(杭州)股份有限公司**  
**BEISIT ELECTRIC TECH (HANGZHOU) CO.,LTD.**

浙江杭州临平经济技术开发区唐梅路1号 邮编：311100

Add.: 1, Tangmei Rd., Linping Economic-Technological  
Development Area, Hangzhou, Zhejiang 311100, China  
Tel: 0086-571-8936 2888 E-mail: info@beisit.com  
Http: // www.beisit.com

**BEISIT GMBH**

Parkstraße 24,65812 Bad Soden am Taunus,Hessen,Germany  
Tel:0049-152-2219-5315  
E-mail: alex@beisit.com www.beisit.eu

