

SOB



electrical
contractor

ventilation &
Environmental

MOTORISED AIR INLET SHUTTER

SOB is available in 26", 31", 42" and 53".
Wallhousing and blades made in
galvanized steel.
Unassembled KD version also available for
self-installation.



Option **SA2S**, open-
closed motor for shutter
blades with protection
grade IP54



4 eyelets for
easy installation



Effective protection
from light and air thanks
to the gasket, which
guarantees the perfect
closure of the blades



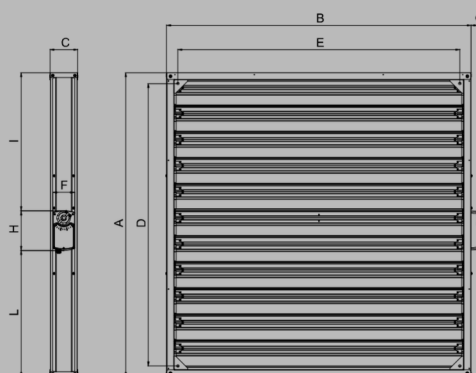
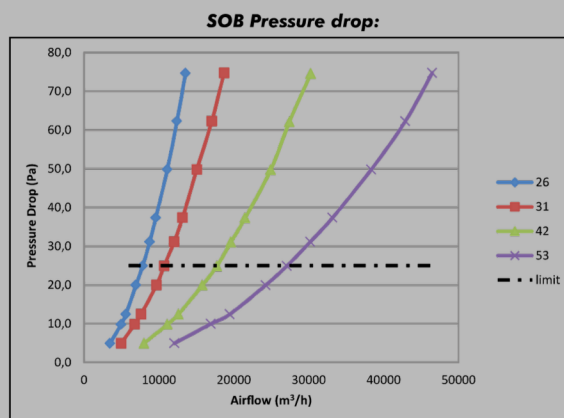
Optional **NT** guard
against rodents and birds



Technical features and dimensions

SOB

Model		SOB 26	SOB 31	SOB 42	SOB 53
Max power consumption	W	5,5	5,5	5,5	5,5
Servo drive consumption	A	0,1	0,1	0,1	0,1
Voltage	V	230	230	230	230
Frequency	Hz	50/60	50/60	50/60	50/60
Dimension - A -	mm.	788	907	1144	1381
Dimension - B -	mm.	788	907	1144	1381
Dimension - C -	mm.	126	126	126	126
Dimension - D -	mm.	689	808	1045	1282
Dimension - E -	mm.	685	804	1041	1278
Dimension - F -	mm.	100	100	100	100
Dimension - G -	mm.	70	70	70	70
Dimension - H -	mm.	180	180	180	180
Dimension - I -	mm.	271	390	509	627
Dimension - L -	mm.	337	337	455	574



NOTE:

Standard electric open-closed motor SA2S 230V 50/60Hz. 24V available upon request.
SOB air inlets can be supplied upon request in stainless steel AISI 304, AETERNUM version, minimum order quantity 100pcs.

Dimensions and loading possibilities

Unassembled shutter dimensions (KD)

Model	LxWxH - mm	Weight - kg
SOB 26	790x285x165	12,5
SOB 31	920x285x165	15
SOB 42	1.150x285x180	20
SOB 53	1.385x285x180	25

Standard pallet for unassembled shutter (KD)

Model	LxWxH - mm	Pieces
SOB 26	800x1.200x1.800	32
SOB 31	1.000x1.200x1.800	32
SOB 42	1.200x1.200x1.800	32
SOB 53	1.420x1.200x1.800	32

Unassembled shutter loading possibilities (KD)

Model	SOB 26	SOB 31	SOB 42	SOB 53
Container 20ft	504	324	360	252
Container 40ft	1.080	756	720	504
Container 40ft HC	1.200	840	800	560
Truck	1.224	936	800	660

Assembled shutter loading possibilities (FA)*

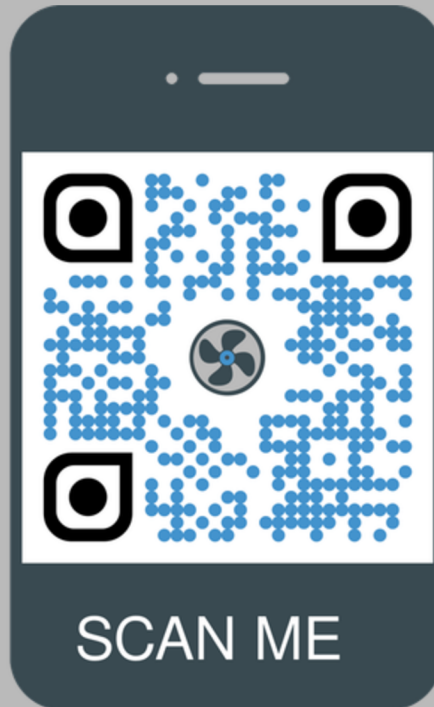
Model	SOB 26	SOB 31	SOB 42	SOB 53
Container 20ft	224	192	140	92
Container 40ft	448	384	288	184
Container 40ft HC	504	432	324	200
Truck	672	448	332	231

*with option SA2S



electrical
contractor

ventilation &
Environmental



 01980 671053

 info@1803ltd.co.uk

 www.1803ltd.co.uk