

ERD



DIRECT DRIVEN AIR CIRCULATION FAN

This air circulation fan - currently available in 31" and 37" - uses a direct-driven system that provides greater efficiency by reducing energy losses and also a substantial lowering of the management and maintenance costs. Furthermore, in an environment where a good destratifier is used, greater energy savings result from an improved temperature homogeneity. The fan housing is available in galvanized or stainless steel (Aeternum 31" only) for the maximum corrosion resistance and the impeller is manufactured in aluminum alloy "Peraluman".



4 secure suspension eyes included



Direct drive



Aerodynamic blades in aluminium alloy



Bottom panel with 4 practical water discharge holes

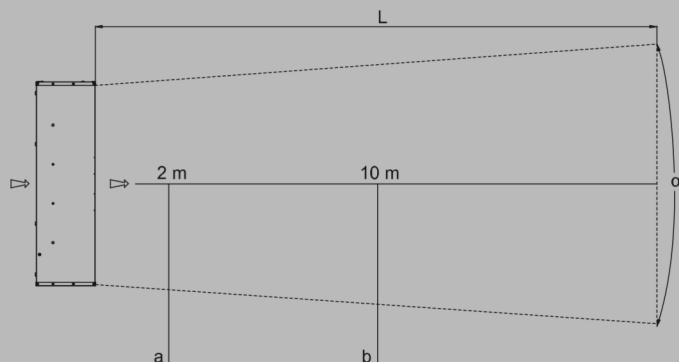
ERD 31 - ERD 37 using method AMCA 230-15

Model	Voltage**	Frequency	Thrust	Propeller rotation speed	Consumption efficiency ratio	Thrust efficiency ratio	Air flow	Air flow*	Efficacy
	V	Hz	lbf	rpm	W	lbf/kW	m³/h	m³/h	ccfm/W
							ccfm	ccfm	
ERD 31/0,75	Δ 220-240 Y 380-420	50	11	935	711	15,6	15700	22.200	13
							9250	13.100	
	Δ 220-270 Y 380-460	60	12	1130	815	14,8	16400	23.200	11,9
							9600	13.550	
ERD 37/0,75	Δ 220-240 Y 380-420	50	11,6	930	698	16,6	19200	27.150	16,2
							11300	16.000	
	Δ 220-270 Y 380-460	60	12,8	1130	767	16,7	20200	28.500	15,5
							11900	16.800	

*Using ANSI/AMCA Standard 230-99 method.

**Single phase motors and different voltage are available on request.

Note: tested with two safety nets.



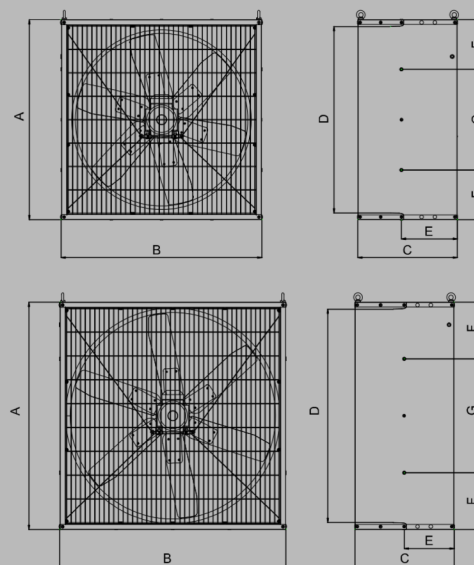
Air outlet cone

Model	α	L (Air speed 0,2 m/s)	Air speed (2 m)	Air speed (10 m)
ERD 31	67	35	4,7	2,3
ERD 37	48	37	5,4	2,6

Dimensions and loading possibilities

Dimensions	ERD 31	ERD 37
Dimension - A - [mm]	905	1023
Dimension - B - [mm]	907	1025
Dimension - C - [mm]	483	483
Dimension - D - [Ø mm]	780	930
Dimension - E - [mm]	252.5	226.5
Dimension - F - [mm]	225	255
Dimension - G - [mm]	455	513
Sound pressure level Lpa* [dB]	73,2	74,4
Weight [kg]	46	48

*Measurement surface according to UNI EN ISO 3744, fig C.7



Loading possibilities on pallet

Fully assembled version (FA)	ERD 31	ERD 37
LxWxH [mm]	910x980x1950	1030x970x2180
N° pieces	4	4
Gross weight [kg]	175	190

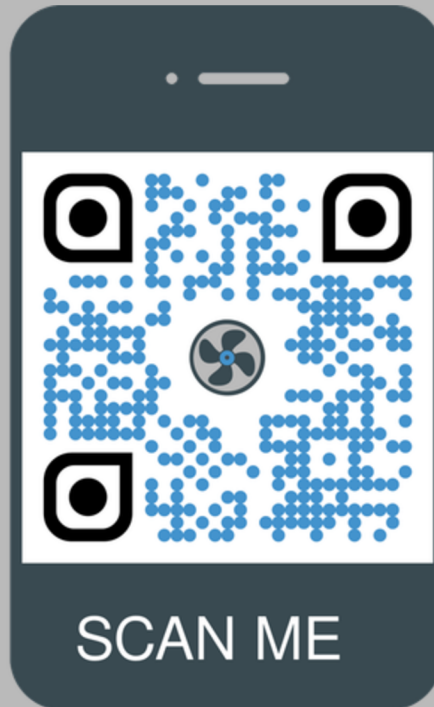
Loading possibilities

Fully assembled version (FA)	ERD 31	ERD 37	Knock-down version (KD)	ERD 31	ERD 37
Container 20ft	48	40	Container 20ft	280	250
Container 40ft	104	88	Container 40ft	560	450
Container 40ft HC	130	92	Truck	600	500
Truck STD	116	104			




electrical
contractor

ventilation &
Environmental



 01980 671053

 info@1803ltd.co.uk

 www.1803ltd.co.uk