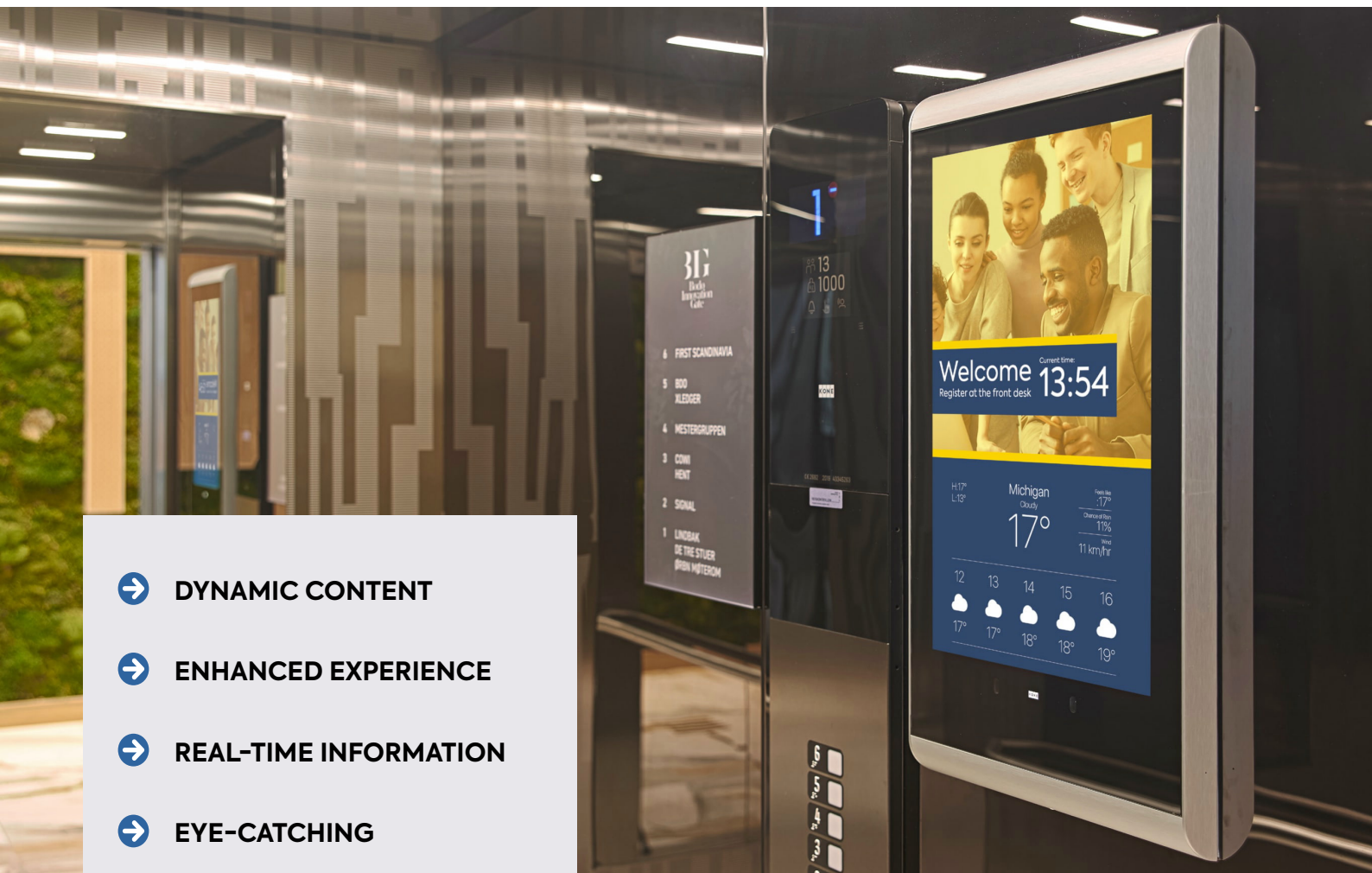




PEW Electrical  
Distributors

XPO SCREENS

# INVITE elevator screens take your message to a higher level



- ➔ DYNAMIC CONTENT
- ➔ ENHANCED EXPERIENCE
- ➔ REAL-TIME INFORMATION
- ➔ EYE-CATCHING
- ➔ ELEGANT DESIGN
- ➔ PURPOSE-BUILT
- ➔ REMOTE MANAGEMENT
- ➔ ECO-FRIENDLY

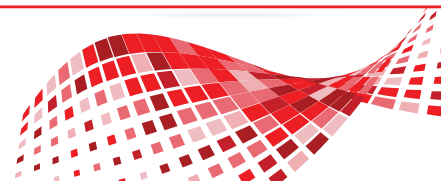
The elevator presents an optimal opportunity for impactful communication. With captive audiences and targeted content, it's an ideal space for sharing information, entertainment, or advertising.

PEW Electrical Distributors Ltd

Unit 1 The iO Centre  
59-71 River Road  
Barking, Essex IG11 0DR

0208 507 1001

sales@pewelectrical.com  
www.pewelectrical.com



# BrightSign Built-In

Our elevator screens come equipped with the industry-leading BrightSign Built-in media player as standard. This embedded solution ensures that our elevator screens offer the most reliable and cutting-edge solution available on the market.



## The BrightSign solution

BrightSign players are purpose built for digital signage with a commercial grade operating system that delivers a cloudconnected experience for real time player access anytime, anywhere. With BrightSign our screens deliver the absolute highest standard of reliability, exceptional video quality and sophisticated functionality without the PC hassles

## Integrated screen management in the cloud

All BrightSign Built-in elevator screens come with a free Control Cloud subscription that puts users in control of their screens and their digital signage network. Control Cloud is a cooperative digital signage solution offering real time screen health & controls independently of your content management solution. Screen setup has been streamlined to easily provision single, multi or mass sets of screens for both Control Cloud and any Content Management Software (CMS).

## Streamlined setup

- Instantly sign up for a free Control Cloud subscription online
- Activate your player following the on-screen instructions
- Easily provision single, multi or mass sets of players
- Customize player setup for the CMS of your choice



## Real time screen control

- View real time connected player health from any location
- Access the remote diagnostic web server to monitor & control players
- Perform remote reboots & provide BrightSign OS updates
- Initiate remote snapshots on demand to see what's playing on-screen at that moment in time



## Other platforms

If for any reason you prefer not to use the BrightSign Built-in solution, we have alternative options available. Our screens can be provided with other players and operating systems. Simply let us know your requirements, and we can work together to explore the best possibilities for you.

# Content Management

Multiple options exist for managing the content on your elevator screens. The suitable one depends on your specific application and requirements.

## 1 BrightSign Free Local Content Management

Every BrightSign Built-in elevator screen comes with the free BrightAuthor PC software application. This local webserver tool makes creating, publishing and managing BrightSign presentations simple and dependable. Ideal for when a cloud solution is not needed or when content is updated via SD, USB or local network.



## 2 BrightSign Content Cloud

BrightAuthor:connected is also available as a part of a cloud solution called Content Cloud. This is an affordable annual subscription that is part of BSN.Cloud, which includes all Control Cloud features and a complete set of content and network management tools. It comes with BrightAuthor:connected, enabling easy content creation and management.



## 3 BrightSign Approved Partners

If you prefer a different type of CMS, BrightSign also offers a range of approved software partners that are optimized to work seamlessly with your BrightSign Built-in elevator screen. When you are still in the orientation phase in terms of CMS, exploring this list of approved partners can be an excellent starting point.



## 4 Your current CMS

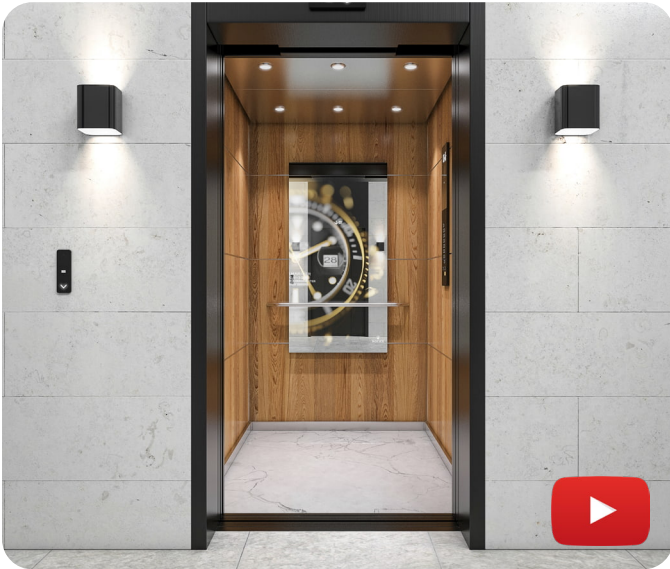
Would you prefer using our elevator screens with another CMS then one of the above mentioned? No worries, we offer two options. First, you can use your CMS in combination with the BrightSign Built-in player, for that we will check and test compatibility. Or we can see if we can incorporate your preferred media player and OS on request.

# Digital elevator mirror

You can get the INVITE elevator screens in a digital mirror variant as well. This provides you with the added functionality of a mirror while also serving as a display for your digital content.

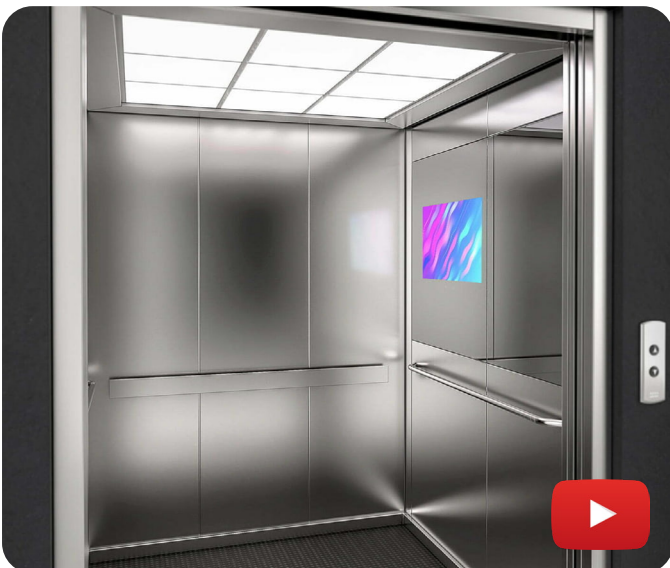
## Smart Mirrors

Elevators commonly have mirrors, making them an excellent surface for implementing our smart mirror technology. The potential applications are extensive, and our custom IR sensors enable interactivity with the content. Fe. this interactivity enables displaying a welcome message upon entering the elevator, initiating an augmented reality (AR) experience, or toggling the screen on/off for eco-friendly usage.



## Built-in screen modules

In addition to our surface-mounted elevator screens, we offer modules that can be fully integrated behind an elevator mirror. The INVITE lift screen modules require no mounting bracket and have a total depth of only 27mm (approximately 1.1 inches), making them easy to install behind a mirrored wall without taking up much interior space.



# Cover options

We provide multiple cover options for the INVITE elevator screens. This allows you to choose the cover that best matches your aesthetic preferences or functional requirements. All cover option can be delivered with clear glass or mirrored glass.



**FRAMELESS COVER**



**FRAMECOVER NARROW**



**FRAMECOVER WIDE**



**SAFETY COVER**

# Options

We offer various cover options for the INVITE elevator screens, providing you with the flexibility to select a cover that matches your aesthetic preferences or functional needs.

## Aluminium frame finish

The INVITE displays and digital mirrors with aluminium frame (narrow and wide) are powder coated (structure) in black or white. But can optionally be supplied in other colors and finishes.



### 1 Powder coat frame: specific color of choice

Powder coat in a different color of your choice is possible. Subject to availability of the color you require.

### 2 Brushed aluminium frame

Optionally, it is possible to finish the aluminium frame brushed and anodized. You can choose from 5 standard colors.



### 3 Brushed aluminium frame: specific color of choice

The brushed aluminium frame can also be delivered in other colors. The color you require is subject to availability

## Custom print glass

The glass plate can be printed in any desired design and/or with a custom (illuminated) logo.



## Custom cover

Customizable cover sizes are available upon request, allowing for versatile structures like a mirror wall to be easily created.



## Touch screen

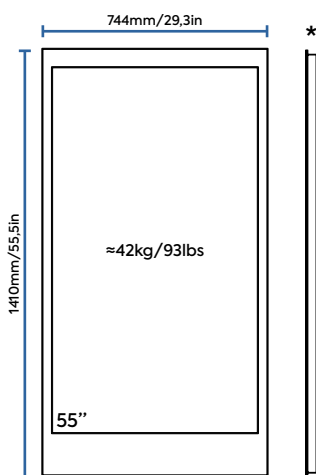
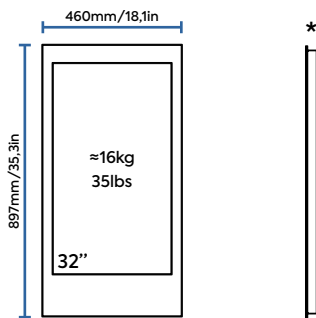
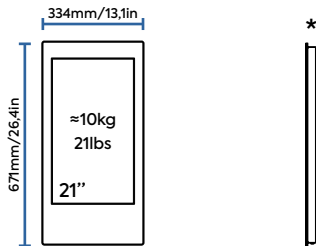
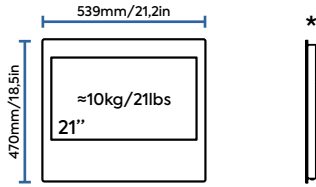
The INVITE is also available with touch functionality, making it ideal for interactive applications or for integration with a lift control system.



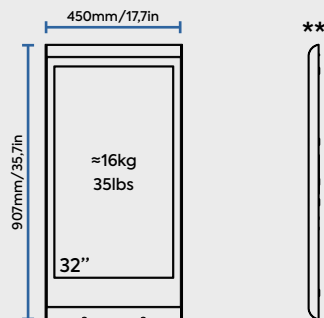
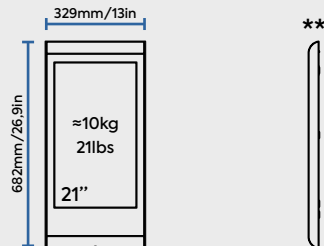
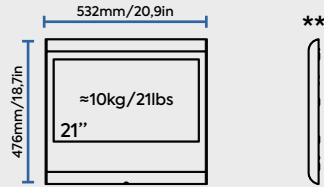
# Options

We offer the INVITE lift screens in three standard sizes: 21 inches, 32 inches, and 55 inches. We can also provide custom sizes for the INVITE lift screens upon request.

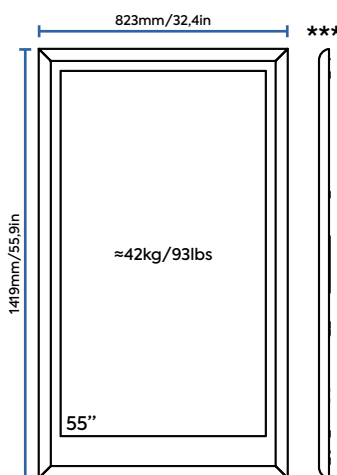
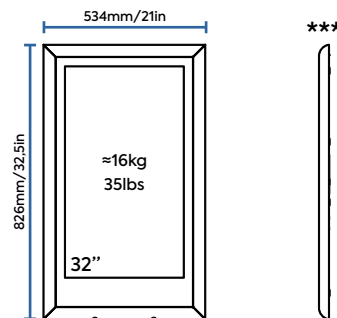
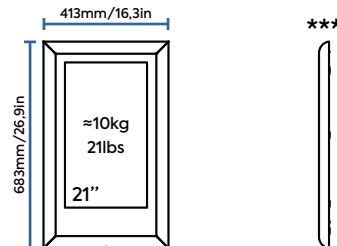
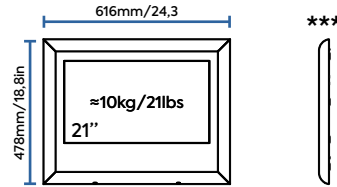
## FRAMELESS COVER



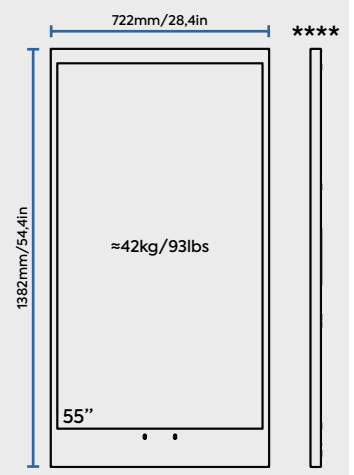
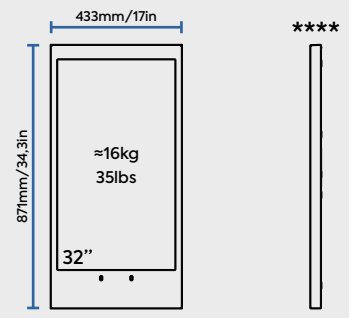
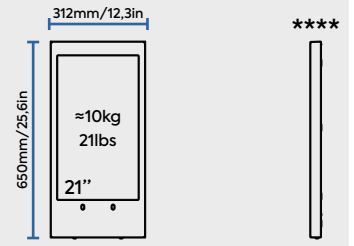
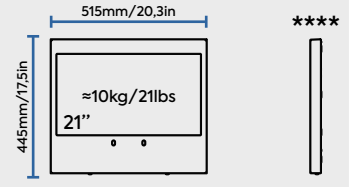
## FRAMECOVER NARROW



## FRAMECOVER WIDE



## SAFETY COVER



\*All frameless covers have a thickness of 36 mm

\*\*All narrow covers have a thickness of 35 mm

\*\*\*All wide covers have a thickness of 35 mm

\*\*\*\*All safety covers have a thickness of 36 mm

# Installation

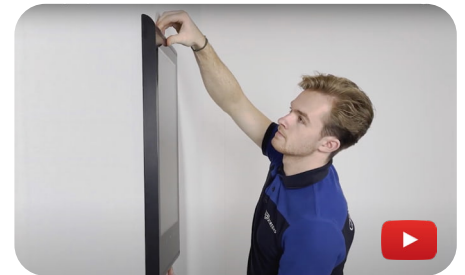
## 24V DC

INVITE screens are easy to install inside elevators. The complete screen runs on 24V DC and can be powered either by a 24V power source provided by the elevator or directly to the 230V installation using an external power adapter. This makes it easy to install and/or retrofit in any modern elevator setup. Since the complete system is powered by 24V low-voltage wiring can be used which makes installation quick and saves you time and money.



## Integrated suspension

Our INVITE screen comes with an integrated suspension system that eliminates the need for a separate mounting bracket. This allows the screen to be mounted directly on the wall, ensuring a tight fit with minimal depth and is ideal for retrofit projects. Check out our installation video by [clicking here](#).



## Connectivity

Ideally every elevator screen is connected to the internet for managing content and monitoring screen status. But not every elevator has an (available) data connection. The main options – if any – for an internet connection are;

- LAN (Local Area Network) – if the elevator has a wired network connection available, the screen can be connected to the LAN to access the internet.
- WLAN (Wireless Local Area Network), if the elevator has a strong enough signal strength, the screen can be connected to the WLAN to access the internet.
- Ethernet Extender Solution – [read more about this option](#).

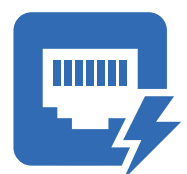


If in your situation an internet connection is not an option, the screens can also be updated over USB. This requires a USB extender from the screen to a (accessible but secured) location. Opening and closing the screen is possible but not recommended.

If you are unsure about available connectivity options for your project, consult with your installer for guidance.

## Power over Ethernet

The INVITE can be supplied with PoE up to 27 inches, enabling power and data transmission over Ethernet cables to reduce costs and simplify installation. PoE is commonly used to power devices and can also be used in elevators, providing improved reliability, safety, maintenance, and scalability for critical building operations.





# Specifications

	21LS	21PT	32PT	55PT
<b>Panel Specifications</b>				
Panel size	21,5 inch	21,5 inch	31,5inch	55 inch
Panel Brightness	250 Nits cd/m <sup>2</sup>	250 Nits cd/m <sup>2</sup>	500 Nits cd/m <sup>2</sup>	450 Nits cd/m <sup>2</sup>
Contrast Ratio	3000:1	3000:1	3000:1	4000:1
Resolution	FHD 1920 × 1080px, 102PPI, RGB	FHD 1920 × 1080px, 102PPI, RGB	1920(RGB)×1080 (FHD) 69PPI	1920(RGB)×1080, FHD 40PPI
Viewing Angle	89/89/89/89 (Typ.)	89/89/89/89 (Typ.)	89/89/89/89 (Typ.)	89/89/89/89 (Typ.)
<b>Player Specification</b>				
BrightSign SoC Module	HS125	HS125	HS125	HS125
Processor architecture	ARMv8 X64	ARMv8 X64	ARMv8 X64	ARMv8 X64
RAM	1024 MB	1024 MB	1024 MB	1024 MB
Video Codecs supported	H.265, H.264 (MPEG-4, Part 10), MPEG-2	H.265, H.264 (MPEG-4, Part 10), MPEG-2	H.265, H.264 (MPEG-4, Part 10), MPEG-2	H.265, H.264 (MPEG-4, Part 10), MPEG-2
Video containers supported	ts, .mpg, .vob, .mov, .mp4, .m2ts	ts, .mpg, .vob, .mov, .mp4, .m2ts	ts, .mpg, .vob, .mov, .mp4, .m2ts	ts, .mpg, .vob, .mov, .mp4, .m2ts
Images supported	BMP, JPEG, PNG	BMP, JPEG, PNG	BMP, JPEG, PNG	BMP, JPEG, PNG
Audio codecs supported	MP2, MP3, AAC and WAV (AC3 is passed through)	MP2, MP3, AAC and WAV (AC3 is passed through)	MP2, MP3, AAC and WAV (AC3 is passed through)	MP2, MP3, AAC and WAV (AC3 is passed through)
HTML5 supported:	HTML, Chromium-based, CSS, JavaScript, WebGL	HTML, Chromium-based, CSS, JavaScript, WebGL	HTML, Chromium-based, CSS, JavaScript, WebGL	HTML, Chromium-based, CSS, JavaScript, WebGL
Real Time Clock	X	X	X	X
<b>Hardware Capable Interfaces</b>				
Micro SD	Recommended SD-HC1 UHS-1 Class 10	Recommended SD-HC1 UHS-1 Class 10	Recommended SD-HC1 UHS-1 Class 10	Recommended SD-HC1 UHS-1 Class 10
Motion sensors	Infrared	Infrared	Infrared	Infrared
USB 2.0 High Speed Host Port (also supports content updates)	X	X	X	X
Ethernet connection	RJ45 (100Mbit)	RJ45 (100Mbit)	RJ45 (100Mbit)	RJ45 (100Mbit)
Wi-Fi/Bluetooth connector	M.2 (E) (for optional Wi-Fi module)	M.2 (E) (for optional Wi-Fi module)	M.2 (E) (for optional Wi-Fi module)	M.2 (E) (for optional Wi-Fi module)
Status LEDs	Power, Error, Busy, Update	Power, Error, Busy, Update	Power, Error, Busy, Update	Power, Error, Busy, Update
<b>Power</b>				
Operating voltage	24V DC	24V DC	24V DC	24V DC
Power adapter input	110/220 VAC 50/60Hz	110/220 VAC 50/60Hz	110/220 VAC 50/60Hz	110/220 VAC 50/60Hz
power usage (max)	30W	30W	50W	130W
<b>Audio</b>				
Internal amplifier	3W RMS	3W RMS	3W RMS	3W RMS
Internal speakers	2 x stereo 3W speakers	2 x stereo 3W speakers	2 x stereo 3W speakers	2 x stereo 3W speakers
Audio out	3.5mm Analog Line-out	3.5mm Analog Line-out	3.5mm Analog Line-out	3.5mm Analog Line-out
<b>Warranty</b>				
Warranty period	3 year warranty	3 year warranty	3 year warranty	3 year warranty
<b>Environmental</b>				
Operating temperature	0 to +50 Celsius	0 to +50 Celsius	0 to +50 Celsius	0 to +50 Celsius
Storage temperature	-20 to +60 Celsius	-20 to +60 Celsius	-20 to +60 Celsius	-20 to +60 Celsius
Operating humidity	10~80%	10~80%	10~80%	10~80%
Storage humidity	5~95%	5~95%	5~95%	5~95%
Operating temperature	0 to +50 Celsius	0 to +50 Celsius	0 to +50 Celsius	0 to +50 Celsius
<b>Operating System</b>				
OS	BrightSign OS	BrightSign OS	BrightSign OS	BrightSign OS
<b>Protection glass / mirror</b>				
Glass used in our Displays	5mm thermally tempered safety glass	5mm thermally tempered safety glass	5mm thermally tempered safety glass	5mm thermally tempered safety glass
Mirror glass used in our Digital mirrors	6mm tempered coated safety glass, 41% light transmittance	6mm tempered coated safety glass, 41% light transmittance	6mm tempered coated safety glass, 41% light transmittance	6mm tempered coated safety glass, 41% light transmittance
<b>Options</b>				
BrightSign HS145	X	X	X	X
Touch	Projected capacitive multi-touch	Projected capacitive multi-touch	Projected capacitive multi-touch	Projected capacitive multi-touch
Power over Ethernet	POE++	POE++	n.a.	n.a.
Extended warranty	5 year warranty	5 year warranty	5 year warranty	5 year warranty