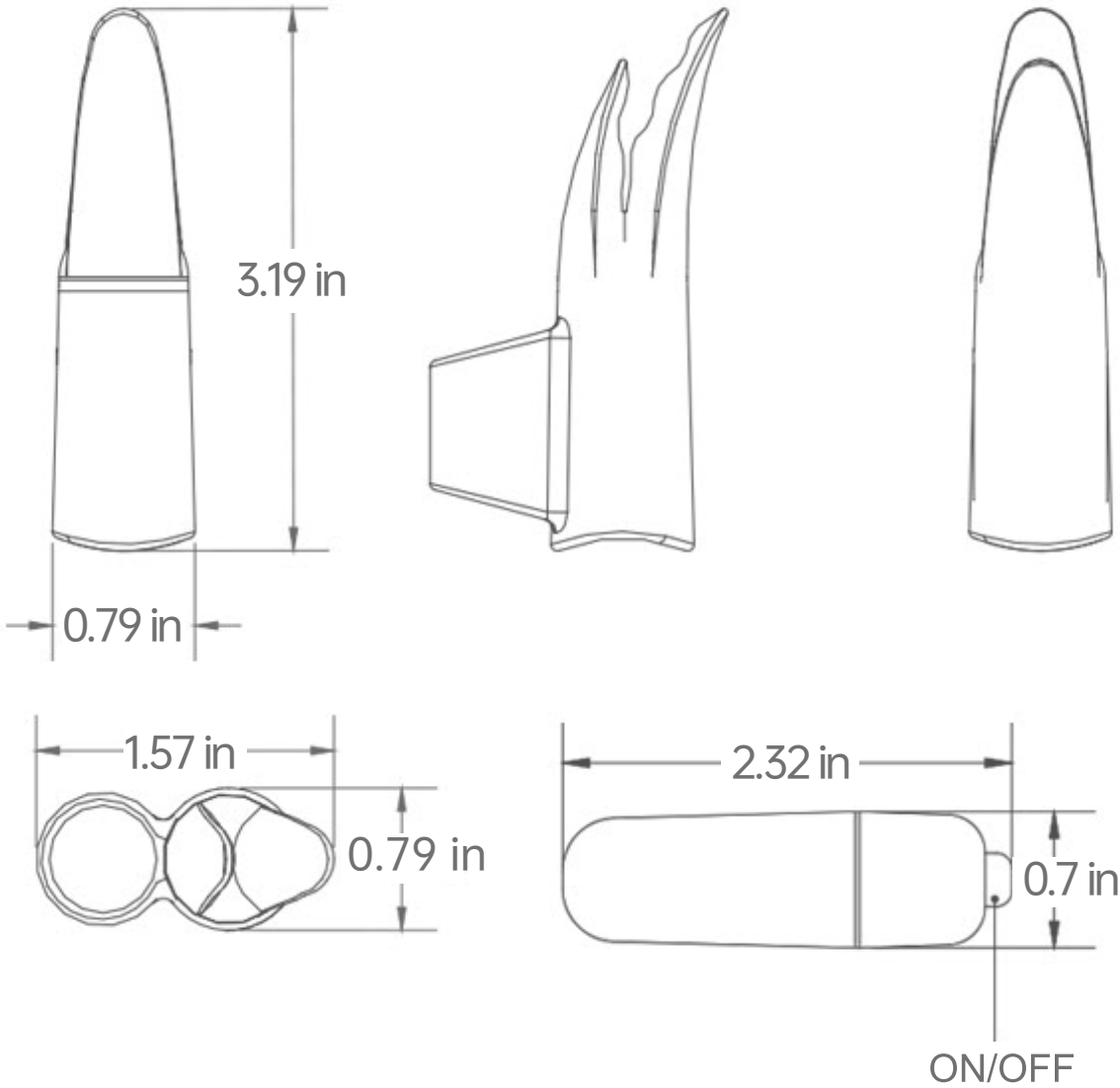


Flutter Finger

Bullet Vibrator Set

Instruction

We know you are eager to start playing with your new SecGuo toy, but please take a moment to read through our user manual before your first time.



Getting Started

- Choose your favorite sleeve to put on the bullet or go sleeveless!
- Press and hold the power button for 3 seconds to turn your Flutter Finger on. The LED light will turn on.
- Continue pressing to cycle through 3 speeds and 7 powerful patterns to find your favorite function.
- Use your Finger Flutter wherever you like.
- Press and hold the power button for 3 seconds to turn your Finger Flutter off. The LED light will turn off.
- Enjoy!

Charging

- Charge your Flutter Finger before first use.
- Only use original chargers provided by SecGuo.
- Before every charge, make sure the DC socket is free from water or lubricant residue.
- Gently insert the DC pin into the socket on the toy. You should hear and feel a subtle click.
- Insert the USB end into any USB port.
- The LED will pulse to indicate Flutter Finger is charging. The LED will stay on when fully charged.

Cleaning, Storage, Safety

- Always clean your vibrator thoroughly before and after each use.
- Wash using warm water and antibacterial soap, rinse, and pat dry with a lint-free cloth or towel.
- Never use cleansers containing alcohol or acetone.
- Avoid leaving in direct sunlight and do not expose to extreme heat.
- Store in a cool, dry, dust-free place, out of reach of children and pets.
- Do NOT use with silicone-based lube.

Specifications

- Material: Medical Grade Silicone + ABS
- Size: 2.48" x 0.71"
- Battery: Li-Ion 130 mAh 3.7V
- Charging: 30 minutes at 5.0V 500 mA
- User Time: up to 90 minutes
- Max Noise Level: < 50dB
- Waterproof Rating: IPX7

Troubleshooting

- The LED does not pulse when charger is connected.
 - Battery is fully charged.
 - Battery is drained and will need a few minutes to acknowledge that it is being charged.
 - Charger is not properly connected.
- Flutter Finger does not activate when power button is pressed.
 - Battery is empty and needs to be recharged.

Warranty

- Every SecGuo product comes with a standard 5 year warranty covering defects in materials and workmanship. Please visit www.secguo.com/pages/warranty for more information and warranty claims.
- If you have any questions regarding operation or if you experience any other problems, please email us: support@secguo.com or call toll-free: (888) 6-SECGUO.

Disclaimers

Users of this SecGuo product do so at their own risk. Neither SecGuo nor its retailers assume any responsibility or liability for the use of this product. To avoid injury or aggravation of pre-existing conditions, this device should not be used on swollen or inflamed areas or skin lacerations. Discontinue use immediately in the event of any medical condition or pain. No medical claims are warranted or implied by the use of this product.

Further, SecGuo reserves the right to revise this publication and to make changes from time to time in the contents hereof without obligation to notify any person of such revision or changes. Model may be changed for improvements without notice. Sold as an adult novelty only.



© 2020 Eve's Apple Inc. ALL RIGHTS RESERVED.
DESIGNED AND DEVELOPED BY SecGuo in California
MANUFACTURED BY SecGuo in China