

# Service Manual

## Repairs and maintenance

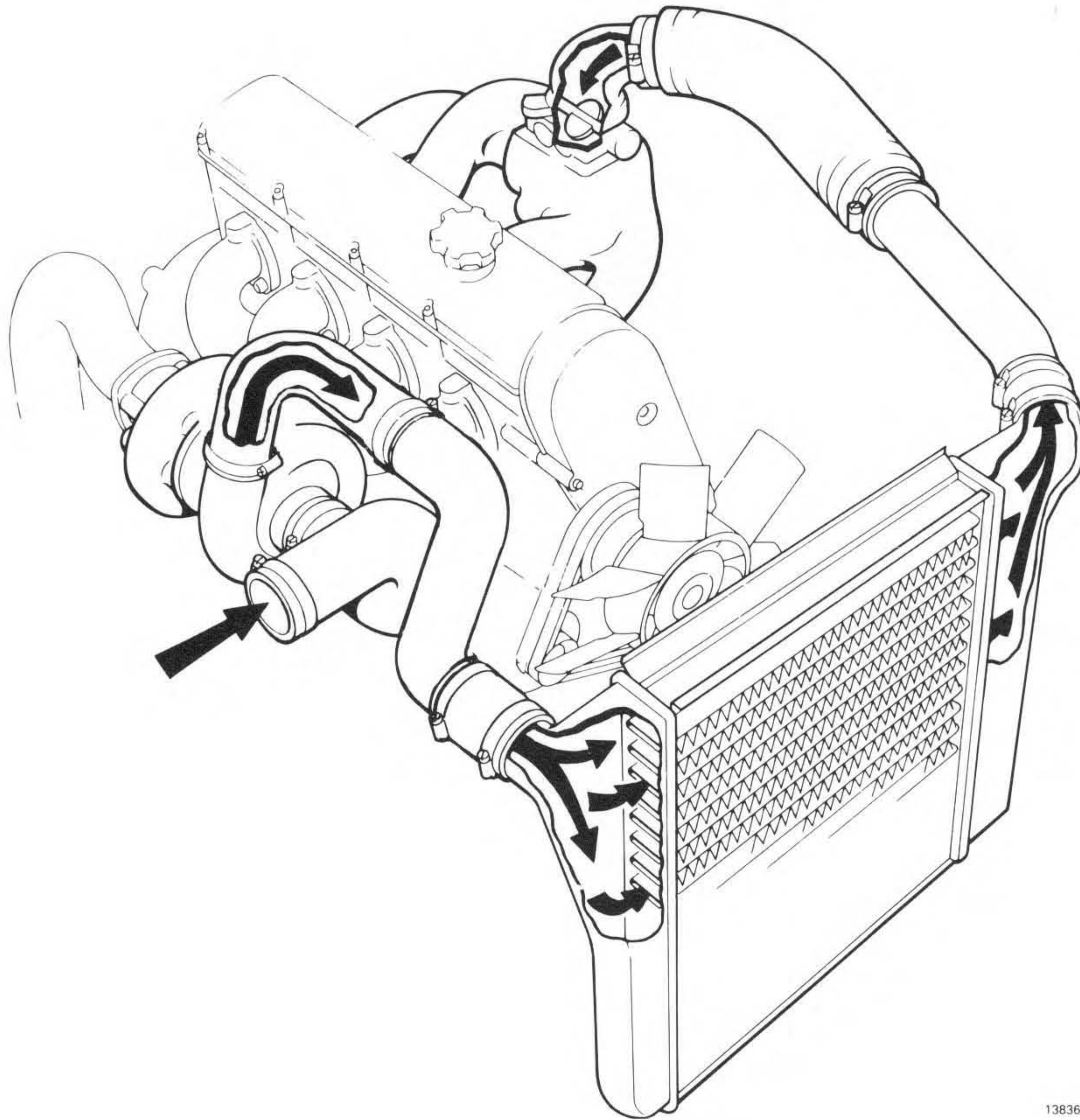
Section 2

B21FT  
Intercooler

240 1984

Preliminary edition

# VOLVO



138364

### **B21 FT intercooler:**

- USA and Canada only
- Supersedes early versions of B 21 FT
- Introduced in spring 1984

Volvos are sold in versions adapted for different markets. These adaptations depend on many factors including legal, taxation and market requirements.

This manual may therefore show illustrations and text which do not apply to cars in your country.

# Contents

## Design and function

	Page
Group 20 General .....	2
Group 25 Intake and exhaust systems .....	4
Group 26 Cooling system .....	6

## Repairs and maintenance

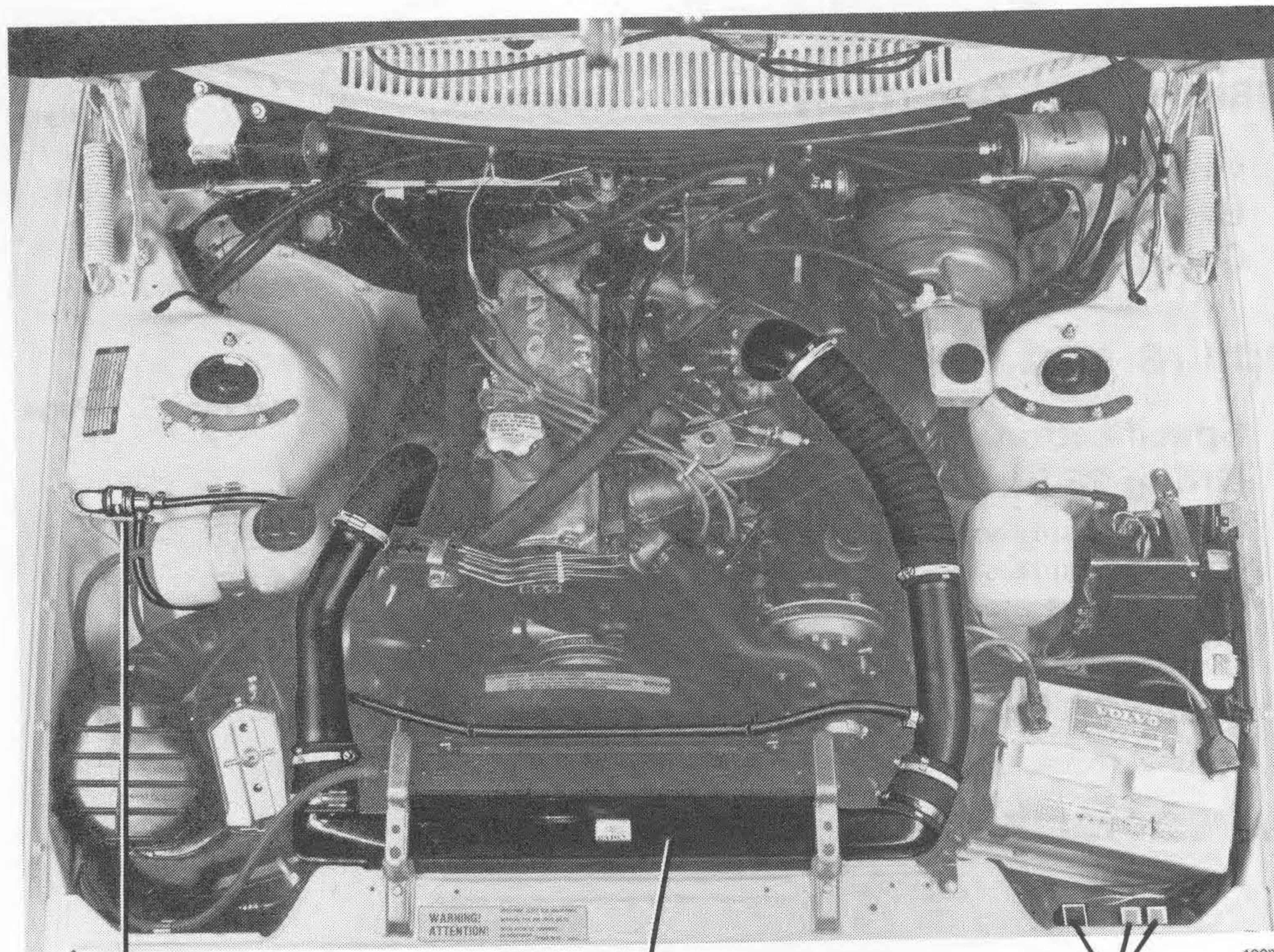
	Operation	Page
Specifications .....		7
<b>Group 25 Intake and exhaust systems</b>		
Charge pressure control system .....	A 1-8	8
Charge pressure, checking/adjusting .....	B 1-13	10
Charge air overpressure switch, checking .....	C 1-3	13
Intercooler hoses, clamps .....	D 1	14
<b>Group 26 Cooling system</b>		
Thermal switch – electric cooling fan, checking .....	E 1-3	15
<b>Intercooler kits .....</b>		<b>16</b>

Order number: TP 30685/2

We reserve the right to make alterations without prior notification

# Design and Function

## Group 20 General



Solenoid valve,  
charge pressure

Intercooler

**Relays:**  
 - engine rpm relay  
 - electric cooling fan relay  
 - relay, disengaging  
 AC compressor

### New car features

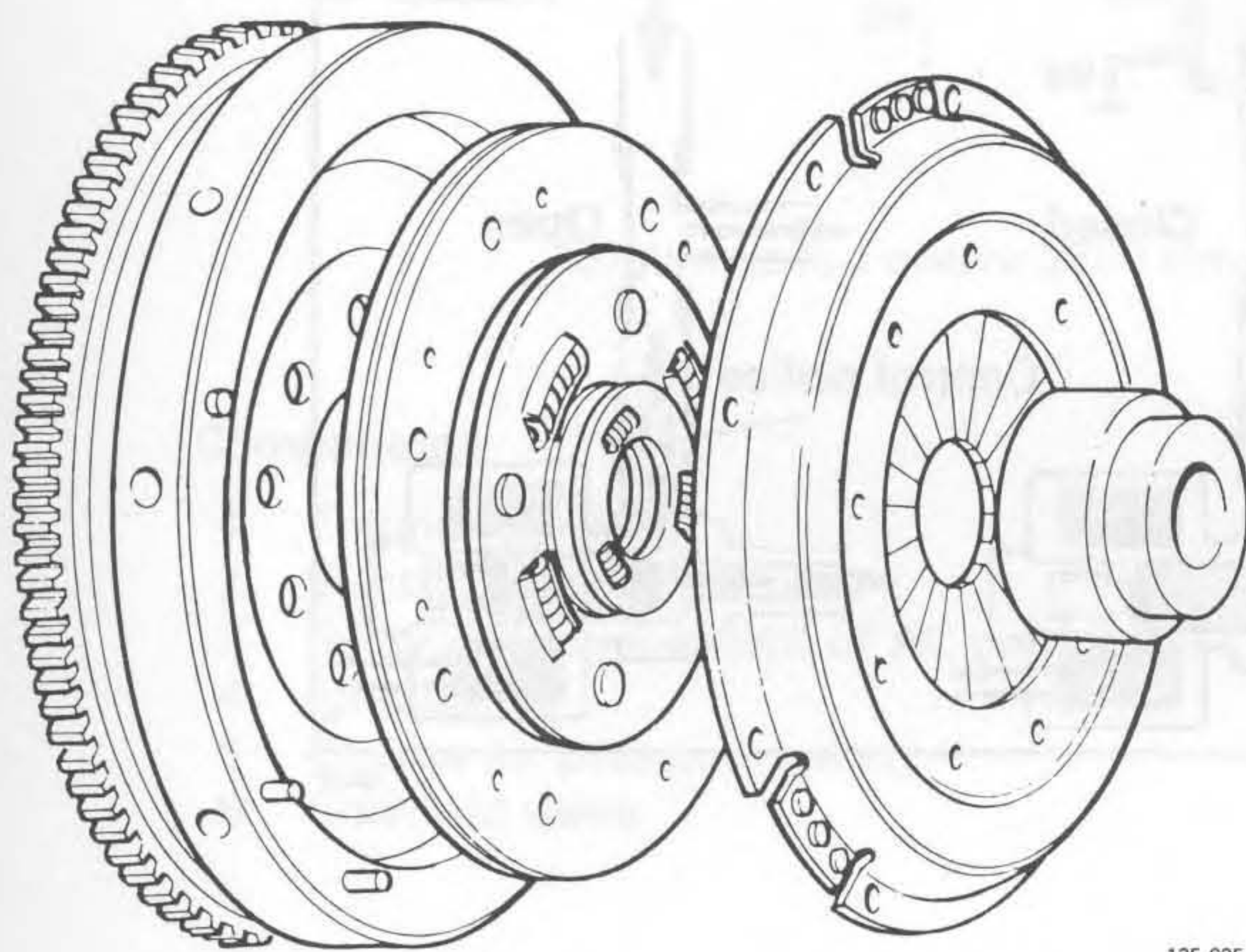
- Intercooler
- Charge pressure control system (engine rpm relay & solenoid valve)
- Relay to disengage AC compressor

### Performance

	B 21 FT	B 21 FT intercooler
Output, according to SAE J 1349 net..... kW at r/s	98/90	121/85
hp at r/min	131/5400	162/5100
Max torque, according to SAE J 1349 net ..... Nm at r/s	210/63	245/65
ft lbs at r/min	155/3750	181/3900
Octane rating, unleaded gasoline ..... RON	91	91
(R+M)/2	87	87

**Modifications to B 21 FT intercooled engine compared with earlier B 21 FT:**

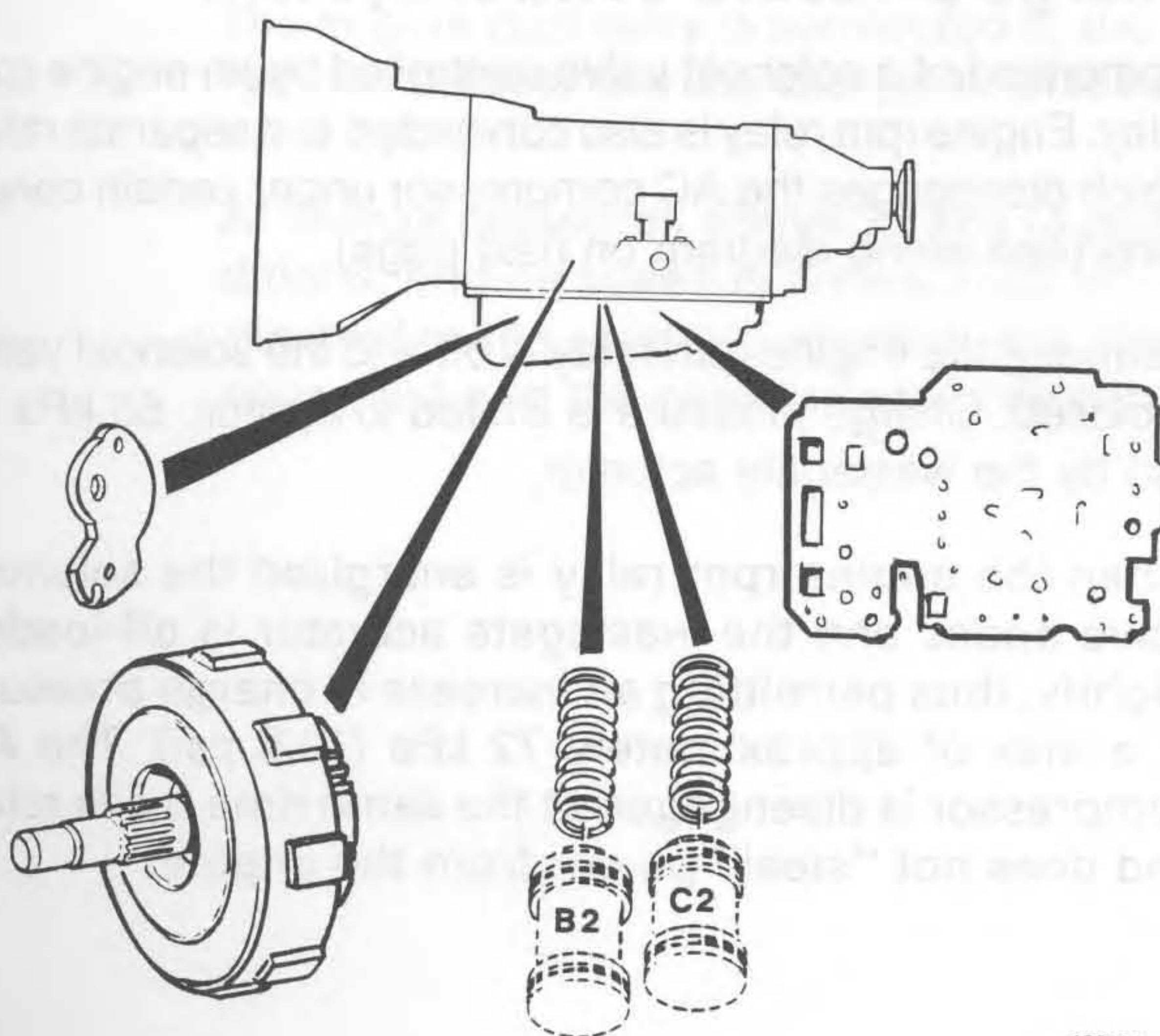
- heavier flywheel (12.7 kg or 27.9 lb. previously 9.6 kg or 21.1 lb.) on vehicles with manual transmission. Provides more stable idling than previous version and more space for new larger clutch
- modified guard plate above fuel distributor
- new turbocharger wastegate actuator
- new charge air overpressure switch, opening pressure approx. 105 kPa (14.9 psi)
- new dashboard pressure gauge (modified scale)
- reinforced inlet hose between air mass meter and turbocharger. Additional bracket attached to hose mount at air mass meter
- electric cooling fan fitted as standard (see group 26)
- new type expansion tank and mounting bracket
- radiator moved towards engine to make space for intercooler. Accordingly fan shroud, radiator hoses, oil cooler tubes (auto trans) and oil cooler mounting brackets have all been modified.



Modifications undertaken as a result of the increased performance

**M 46 manual transmission**

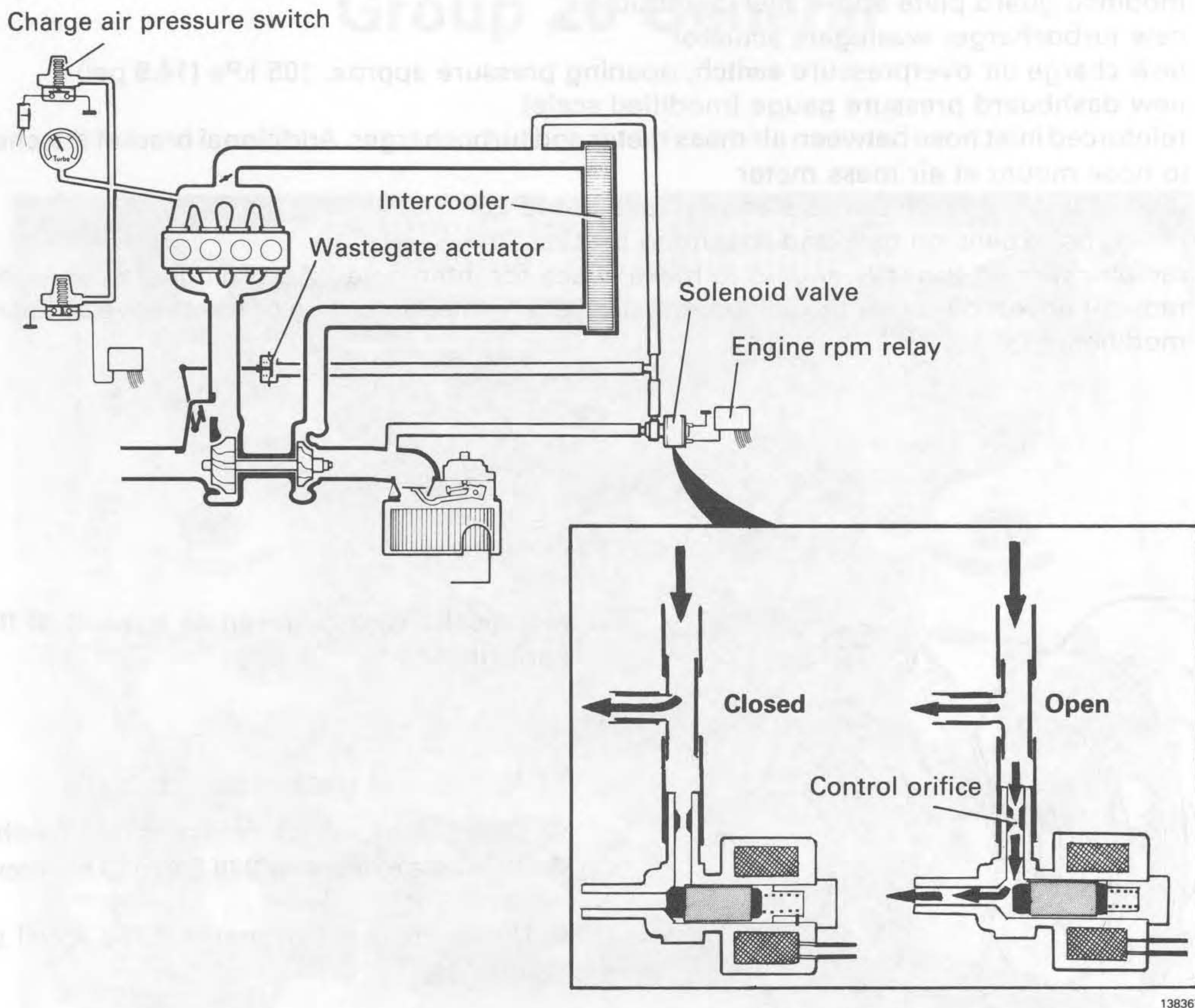
- Clutch driven plate recessed into flywheel
- Driven plate diameter 228.5 mm (9 in). previously 216.0 mm (8.5 in)
- Driven plate incorporates three small pre-damping springs



**AW 71 automatic transmission**

- Reshaped throttle cam
- Extra disc in C1 front clutch pack
- New B2 and C2 accumulator piston springs
- Modified separator plate in valve body assembly
- modified control orifices

# Group 25 Intake and exhaust systems



## Intercooler

Inlet air density is increased by the turbocharger compressor before the air is pumped to the engine. During compression the temperature of the air is increased by 40–80°C (72–144°F).

To counteract this an intercooler is connected between the turbocharger and engine to cool down inlet air. The temperature of the air leaving the intercooler is 30–50°C (54–90°F) lower than that of the air entering it. Also, its density is further increased and a reduction of the thermal load on the engine is achieved.

Density =  $\text{kg/m}^3$

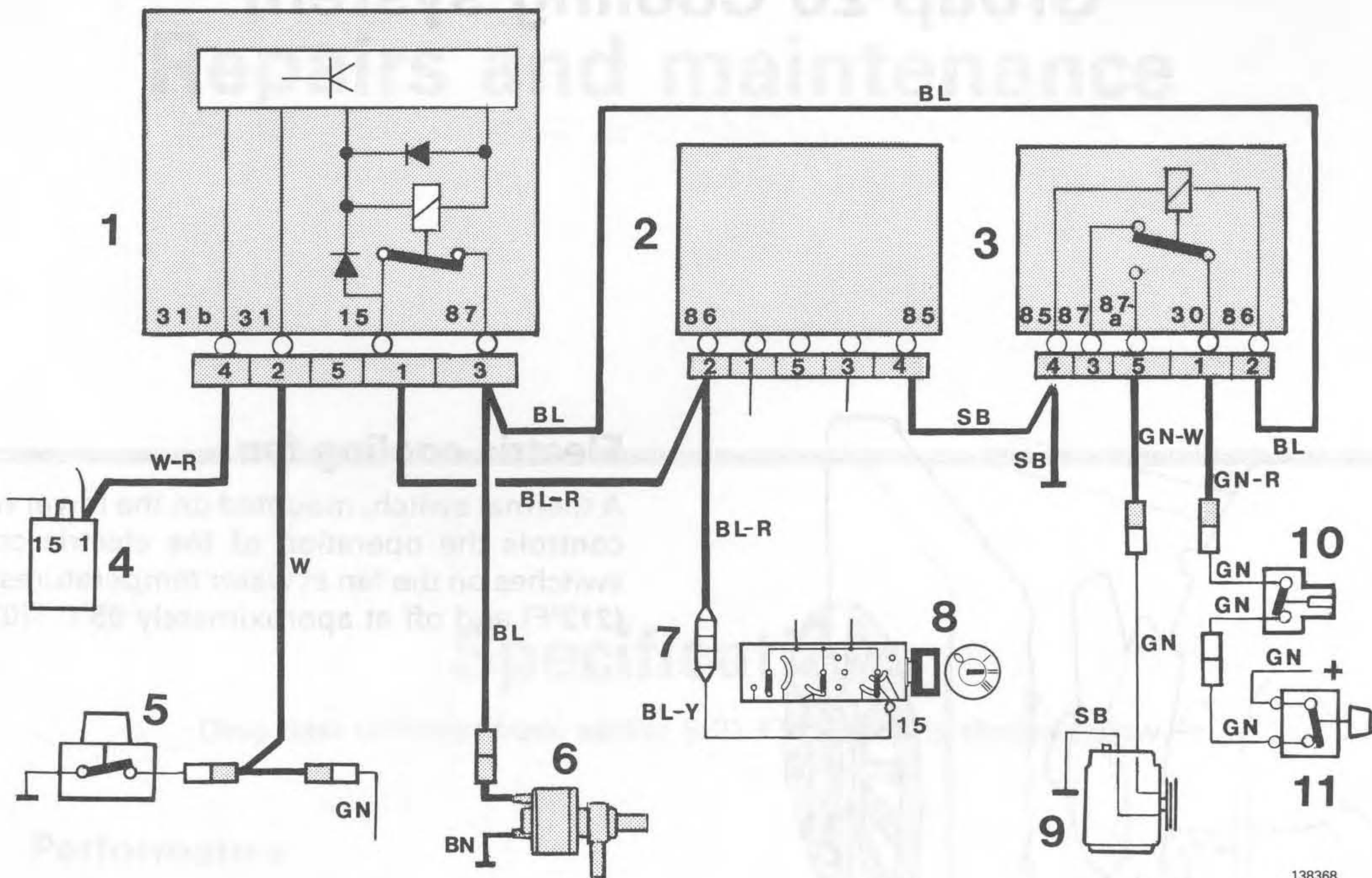
The colder the air the greater the density i.e. the greater the amount of fuel that can be combusted = higher output.

## Charge pressure control system

Comprised of a solenoid valve controlled by an engine rpm relay. Engine rpm relay is also connected to a separate relay which disengages the AC compressor under certain conditions (see wiring diagram on next page).

Normally, the engine rpm relay is off and the solenoid valve is closed. Charge pressure is limited to approx. 55 kPa (8 psi) by the wastegate actuator.

When the engine rpm relay is energized the solenoid valve opens and the wastegate actuator is off-loaded slightly, thus permitting an increase in charge pressure to a max of approximately 72 kPa (10.5 psi). The AC compressor is disengaged at the same time by its relay and does not "steal" power from the engine.



138368

Engine speed above 3700 r/min and charge pressure above 20 kPa (3 psi)

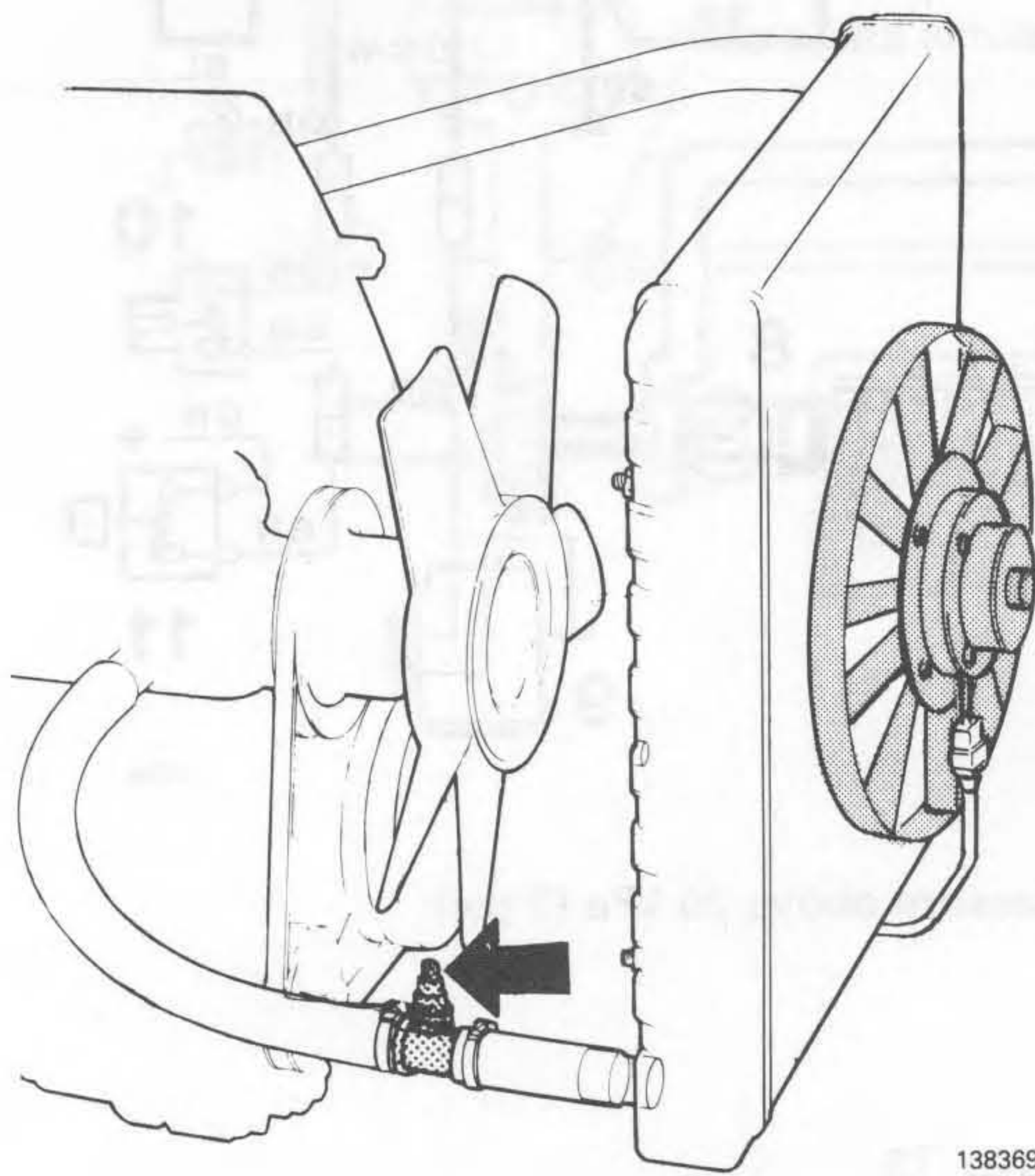
**Components**

- |   |  |
|---|--|
| 1 Engine rpm relay                      | 7 Fuse No. 13                                      |
| 2 Electric cooling fan relay            | 8 Ignition switch                                  |
| 3 Relay, disengagement of AC compressor | 9 AC compressor                                    |
| 4 Ignition coil                         | 10 Low pressure switch (mounted in receiver/dryer) |
| 5 Charge air pressure switch            | 11 AC dashboard switch                             |
| 6 Solenoid valve                        |  |

The engine rpm relay is connected to the ignition coil, from which it receives information on ignition pulses, and the charge air pressure switch (which is also connected to the Lambda-sond system).

At charge pressures above 20 kPa (3 psi) the pressure switch is closed. If, under such conditions, engine speed is above 3700 r/min the engine rpm relay is energized and current is directed to the solenoid which opens, the charge pressure is increased. Also the AC relay is energized and the compressor is disconnected.

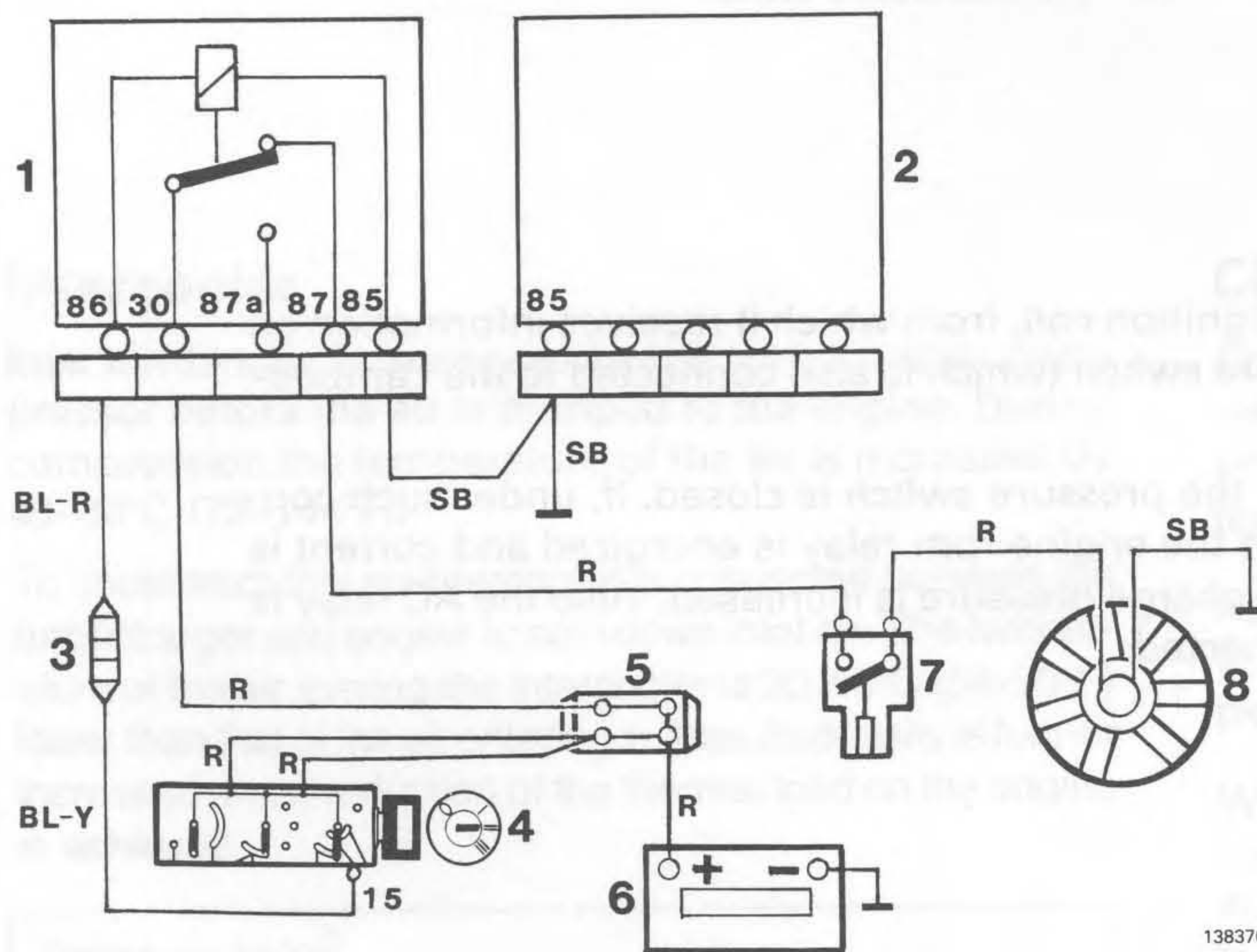
# Group 26 Cooling system



138369

## Electric cooling fan

A thermal switch, mounted on the lower radiator hose, controls the operation of the electric cooling fan. It switches on the fan at water temperatures above 100°C (212°F) and off at approximately 95°C (203°F).



138370

### Components

- 1 Relay, electric cooling fan
- 2 Relay, disengagement of AC compressor
- 3 Fuse No. 13
- 4 Ignition switch
- 5 Connector
- 6 Battery
- 7 Thermal switch
- 8 Electric cooling fan



# Repairs and maintenance

## Specifications

Only data different from earlier B 21 FT models is shown below.

### Performance

Output, according to SAE J 1349 net.....	121 kW at 85 r/s 162 hp at 5100 r/min
Max torque, according to SAE J 1349 net .....	245 Nm at 65 r/s 181 ft lbs at 3900 r/min

### Charge pressure

At 3000 r/min full-load, checking value .....	50–58 kPa (7.1–8.2 psi)
setting value.....	55 kPa (7.8 psi)

### Charge air overpressure switch

Opens at pressure .....	100–110 kPa (14.2–15.6 psi)
-------------------------	-----------------------------

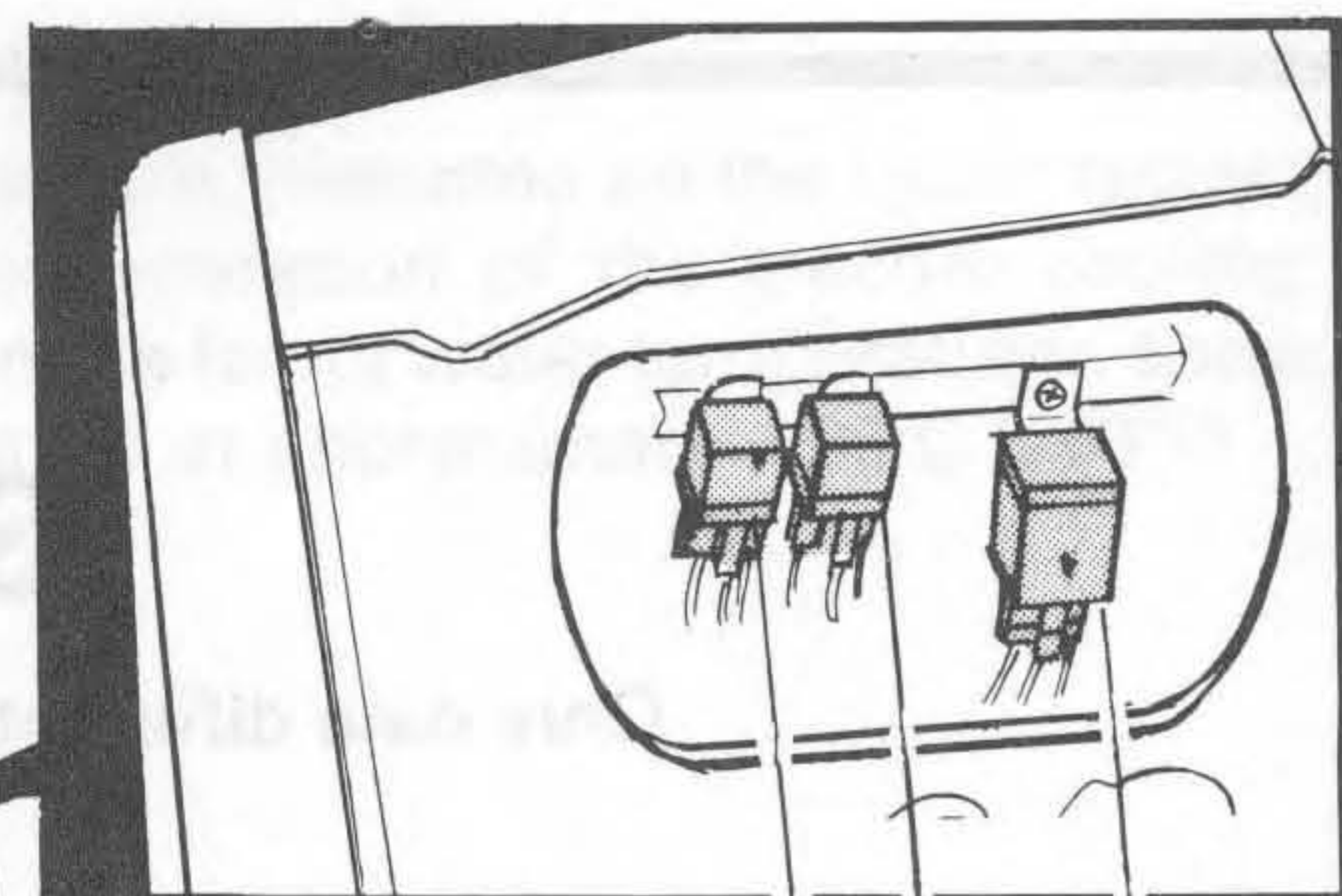
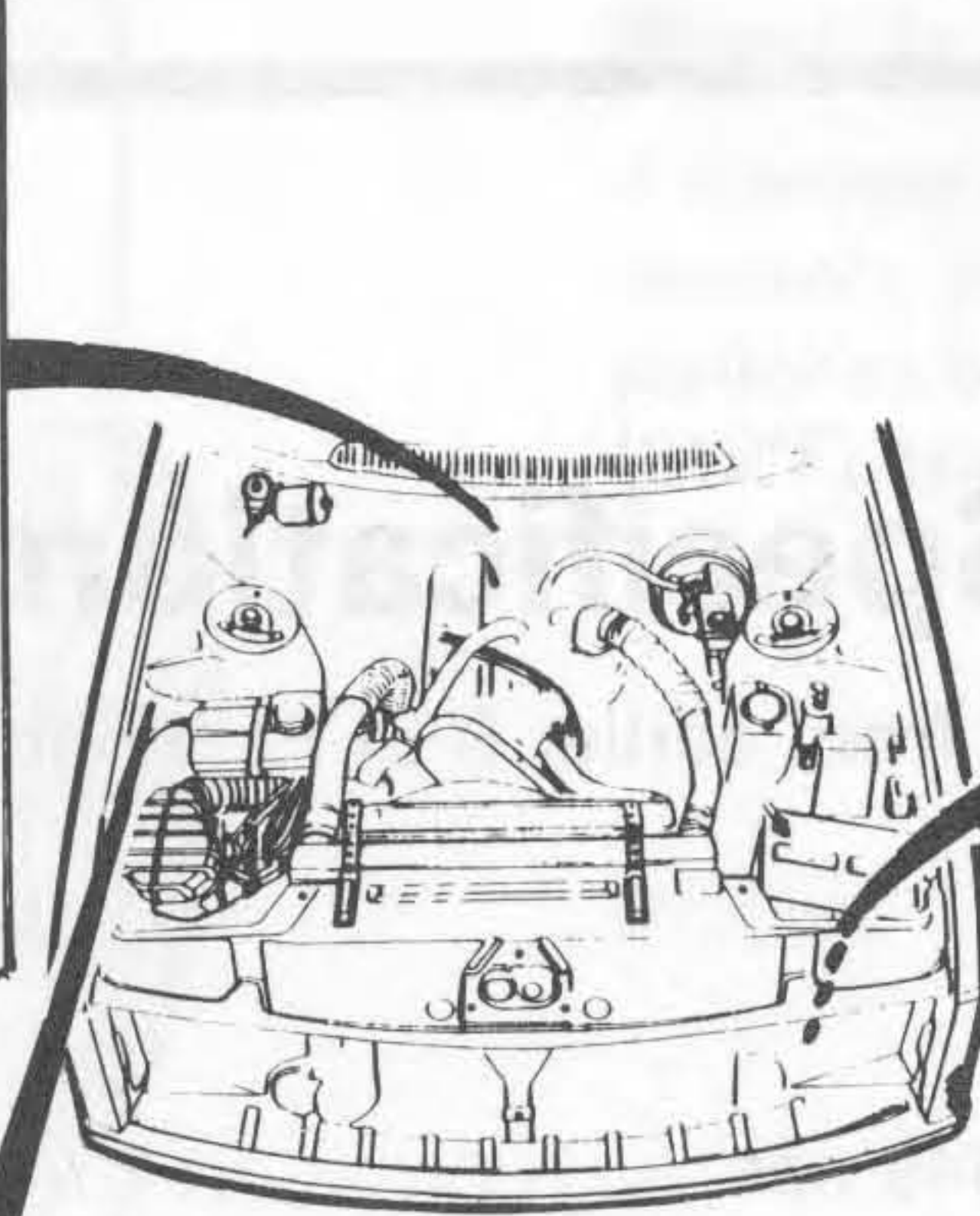
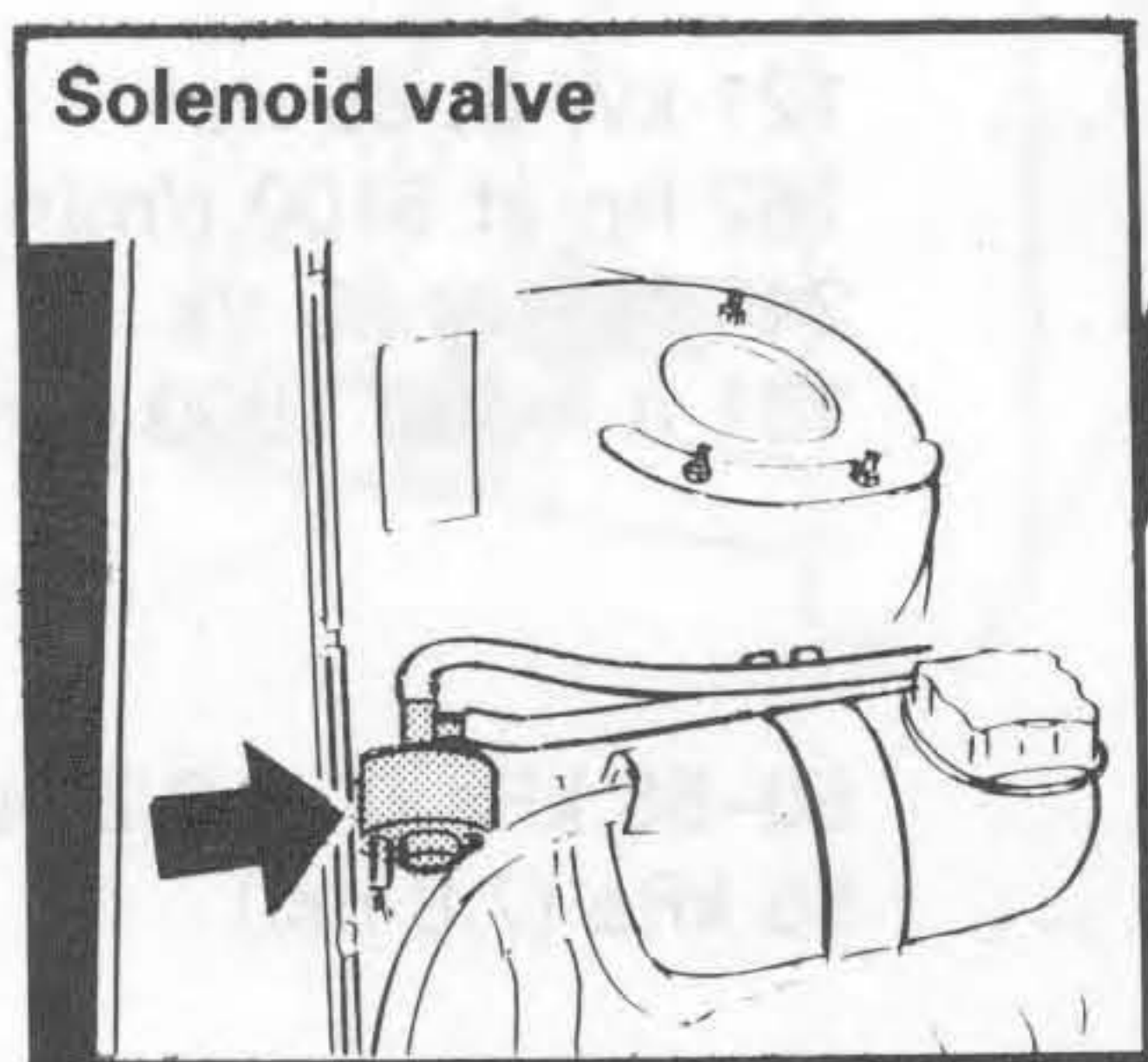
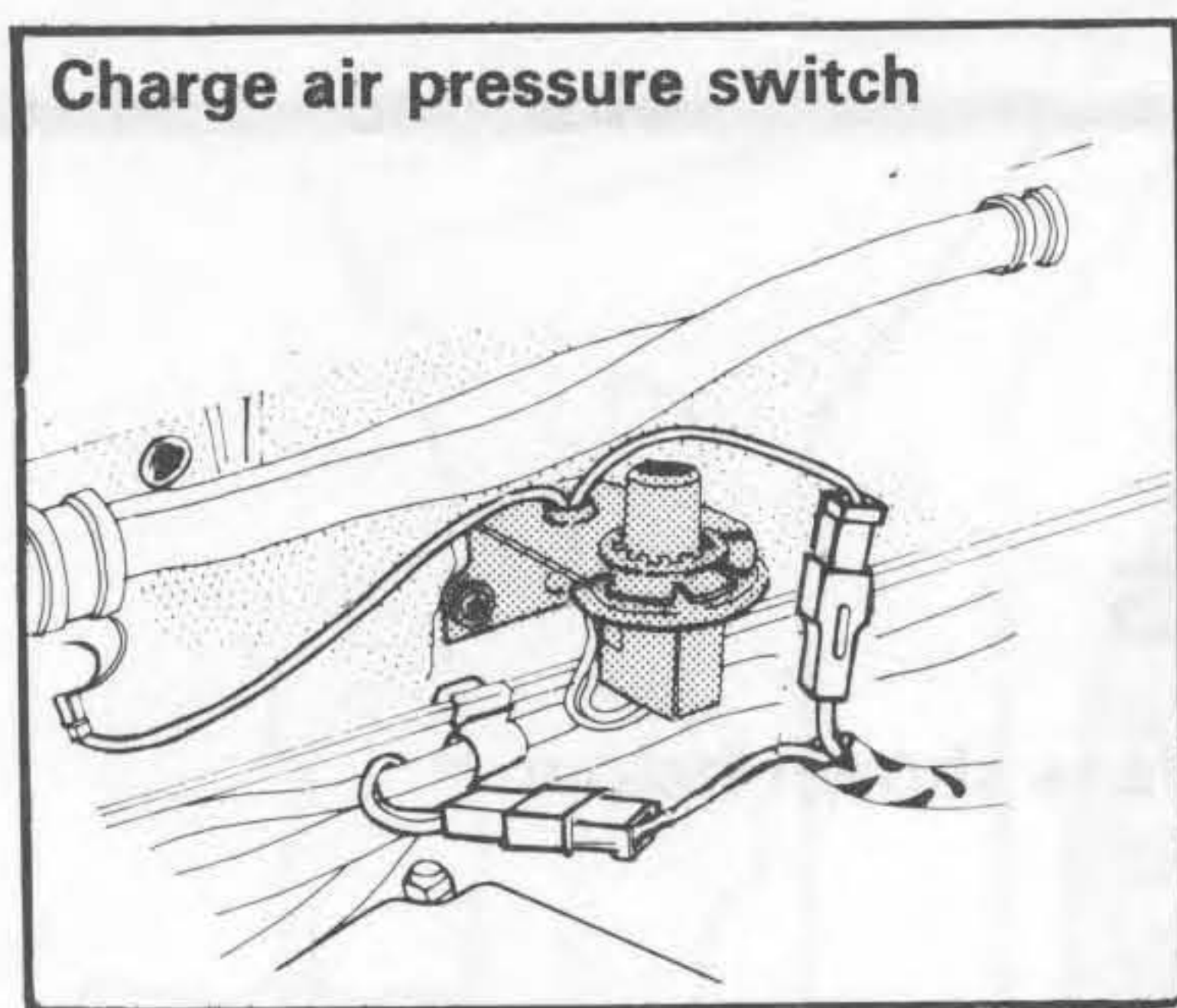
Charge pressure control system

# Group 25 Intake and exhaust systems

## A. Charge pressure control system

A1

### Location of components



Engine rpm  
Electric cooling fan  
AC disengagement

Relays

Wiring diagram see page 5

138371

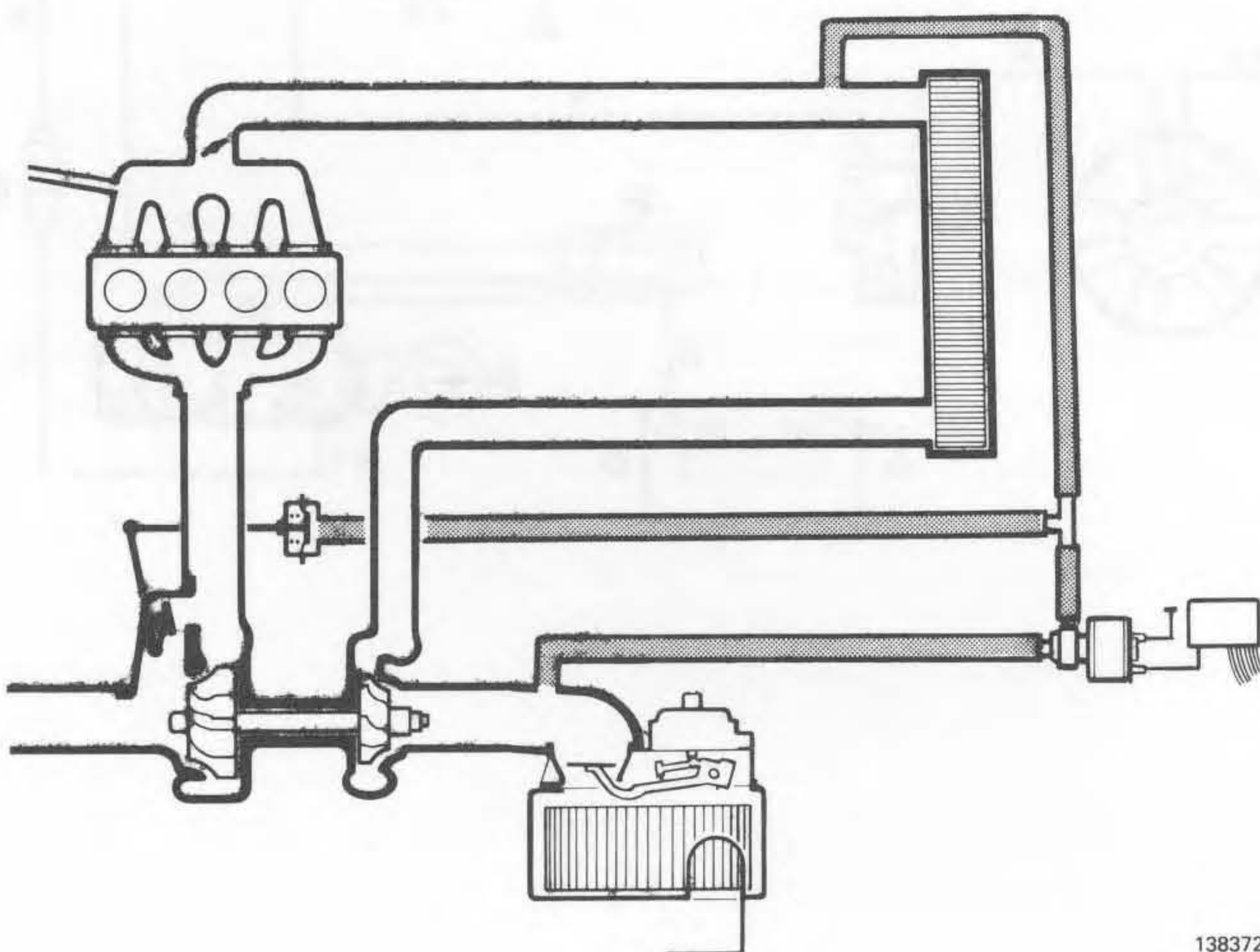
### Function check

Special tool: 5230

A2

### Check hoses

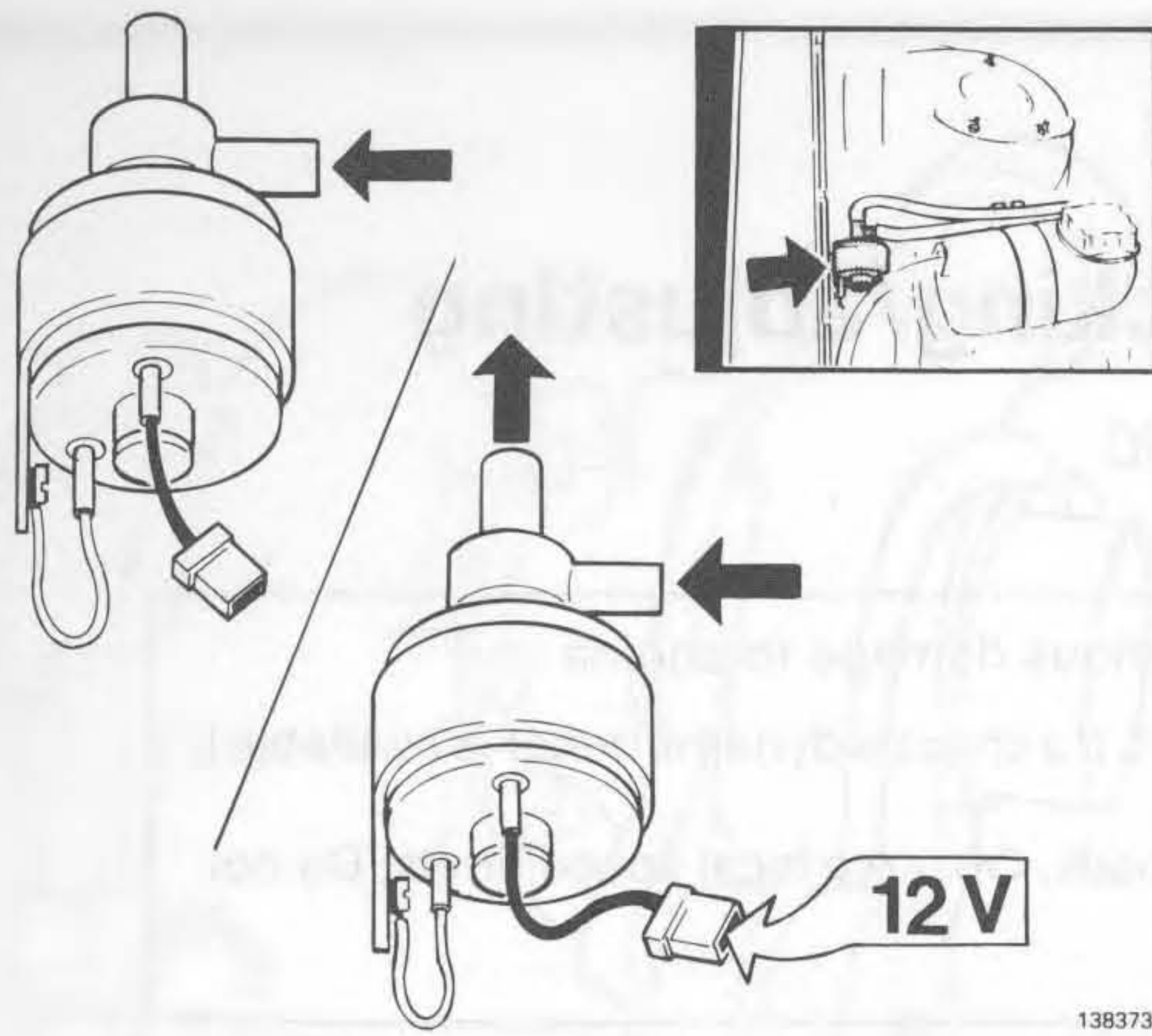
Check that hoses are correctly connected, not kinked or damaged. T-connector must be located as shown.



138372

## Charge pressure control system

A3

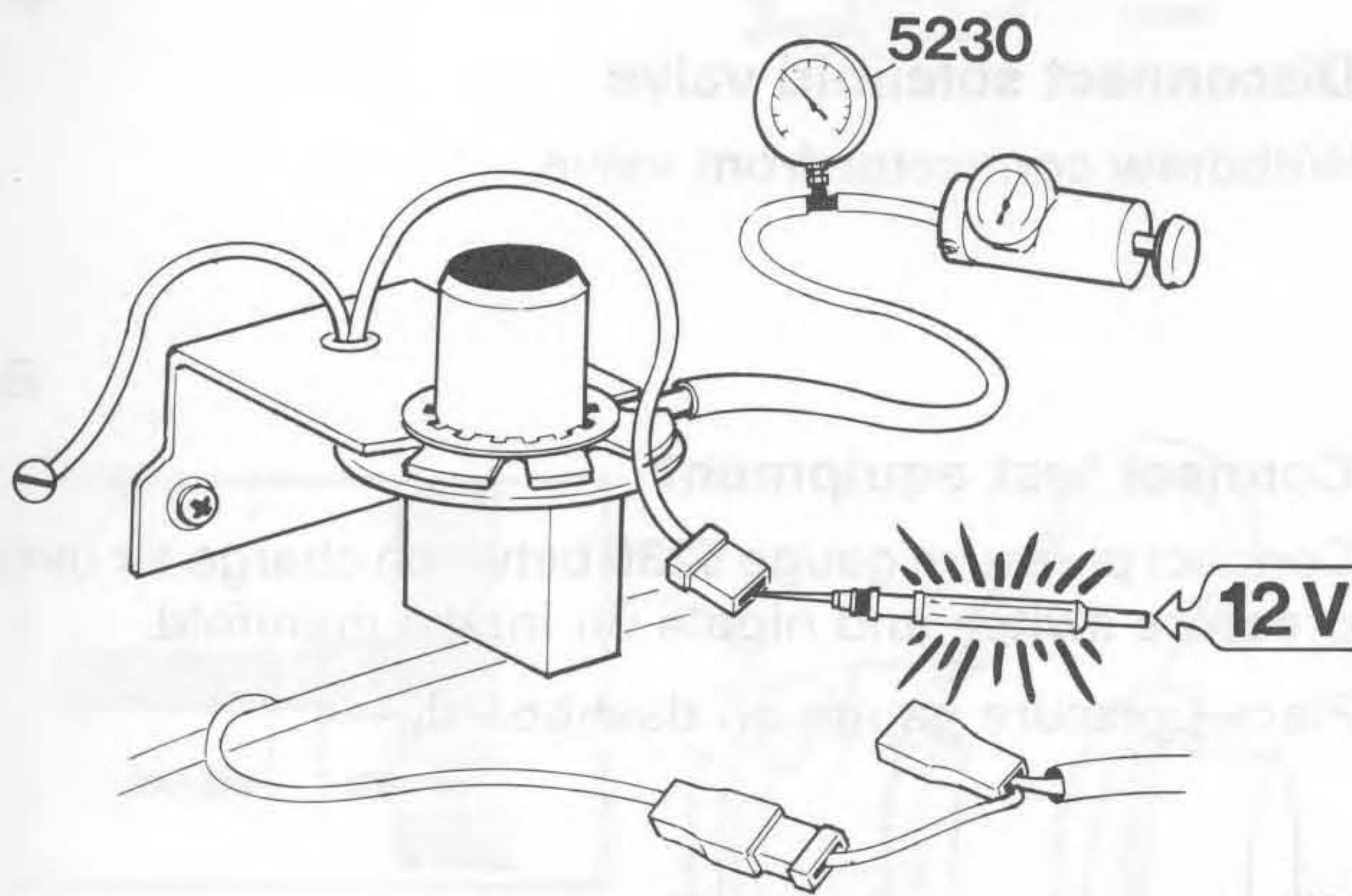
**Check solenoid valve**

Check function by blowing through valve.  
Valve should be closed.

Connect 12V power source to valve and check that it opens. If not, check ground wire.

138373

A4

**Check charge air pressure switch**

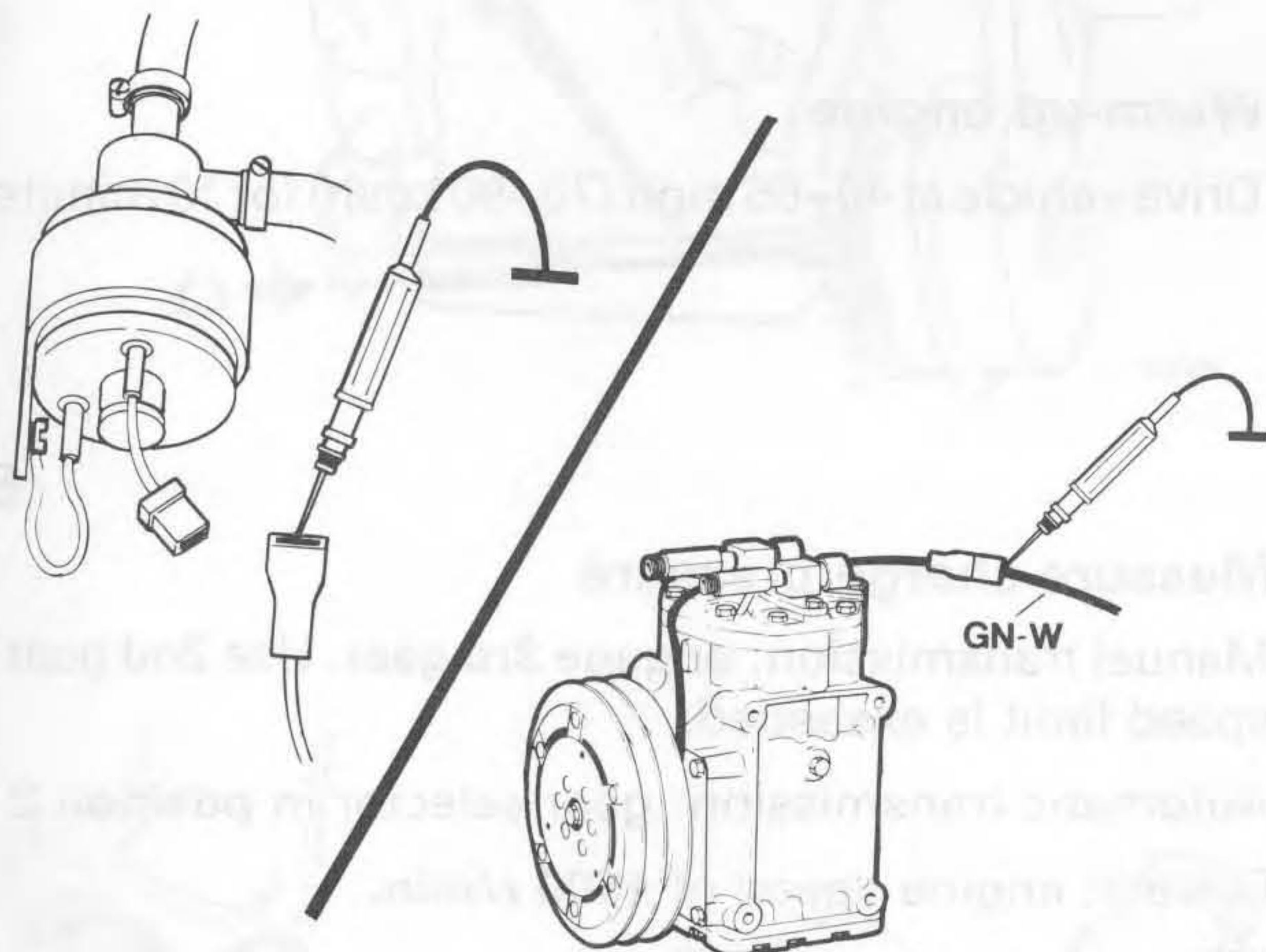
Connect pressure gauge **5230** and a pump to switch.  
Connect a test lamp between contact and 12V power supply.

Increase pressure to 20.3 kPa (2.9 psi) and check that lamp lights up; i.e. contact closes.

Disconnect test light and reconnect wire. Do not disconnect pressure gauge and pump at this point.

138374

A5

**Connect test lights**

Connect test light between solenoid connector and ground.

Connect a second test light at compressor between wire and ground.

A6

**Start engine****Turn on air conditioning unit**

Set AC to Max Cool.

A7

**Check engine rpm relay and AC relay**

Check that charge air pressure switch is closed. If necessary increase pressure.

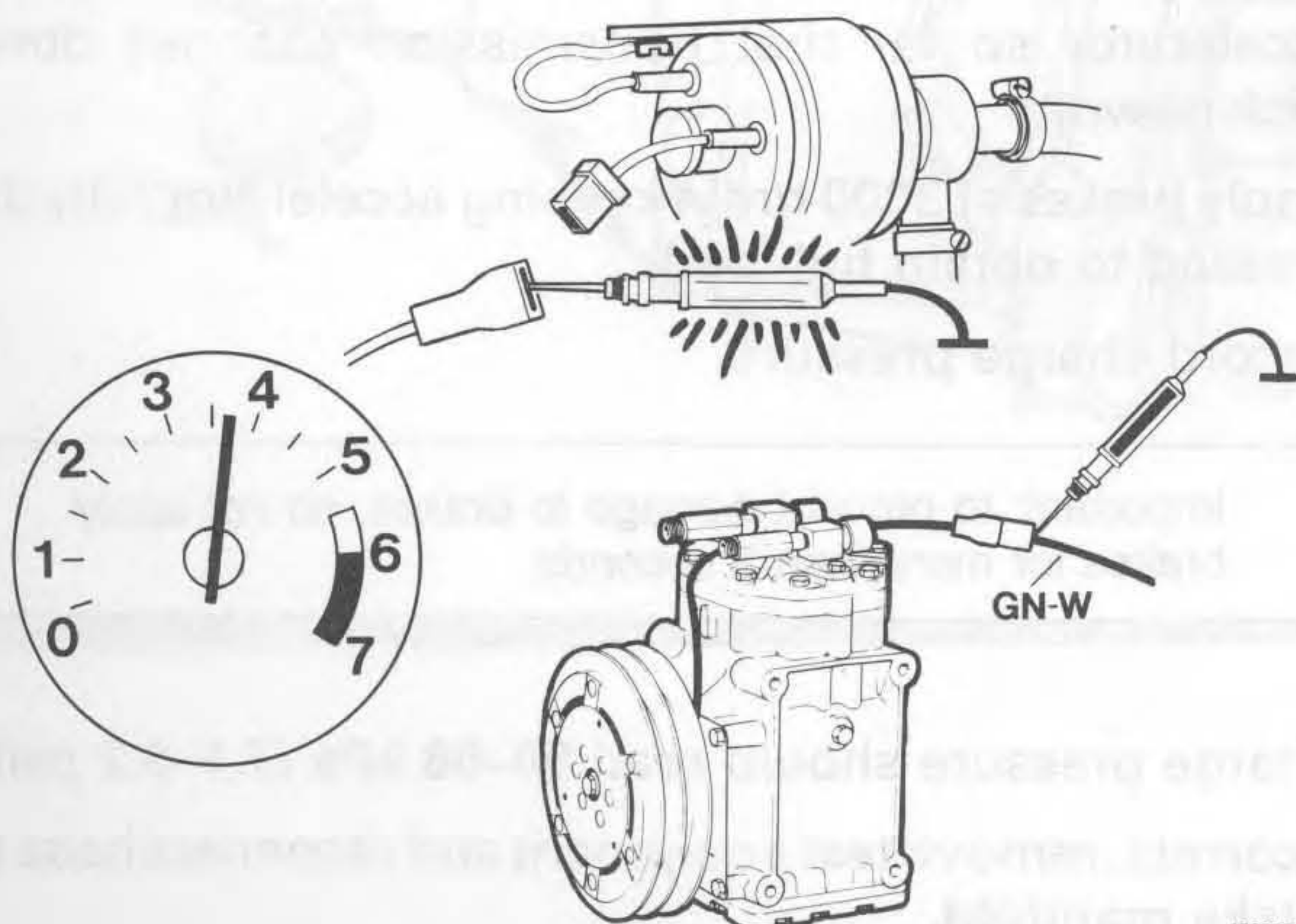
Rev-up engine to 3700 r/min and check that engine rpm relay is energized (test light at solenoid lights up). Also check that at same time AC compressor is disengaged (test light goes out).

If incorrect, check wiring, (see wiring diagram on page 5). If wiring is OK, test circuit with a new relay.

A8

**Remove test equipment**

Reconnect wires, hoses etc.



138376

Charge pressure

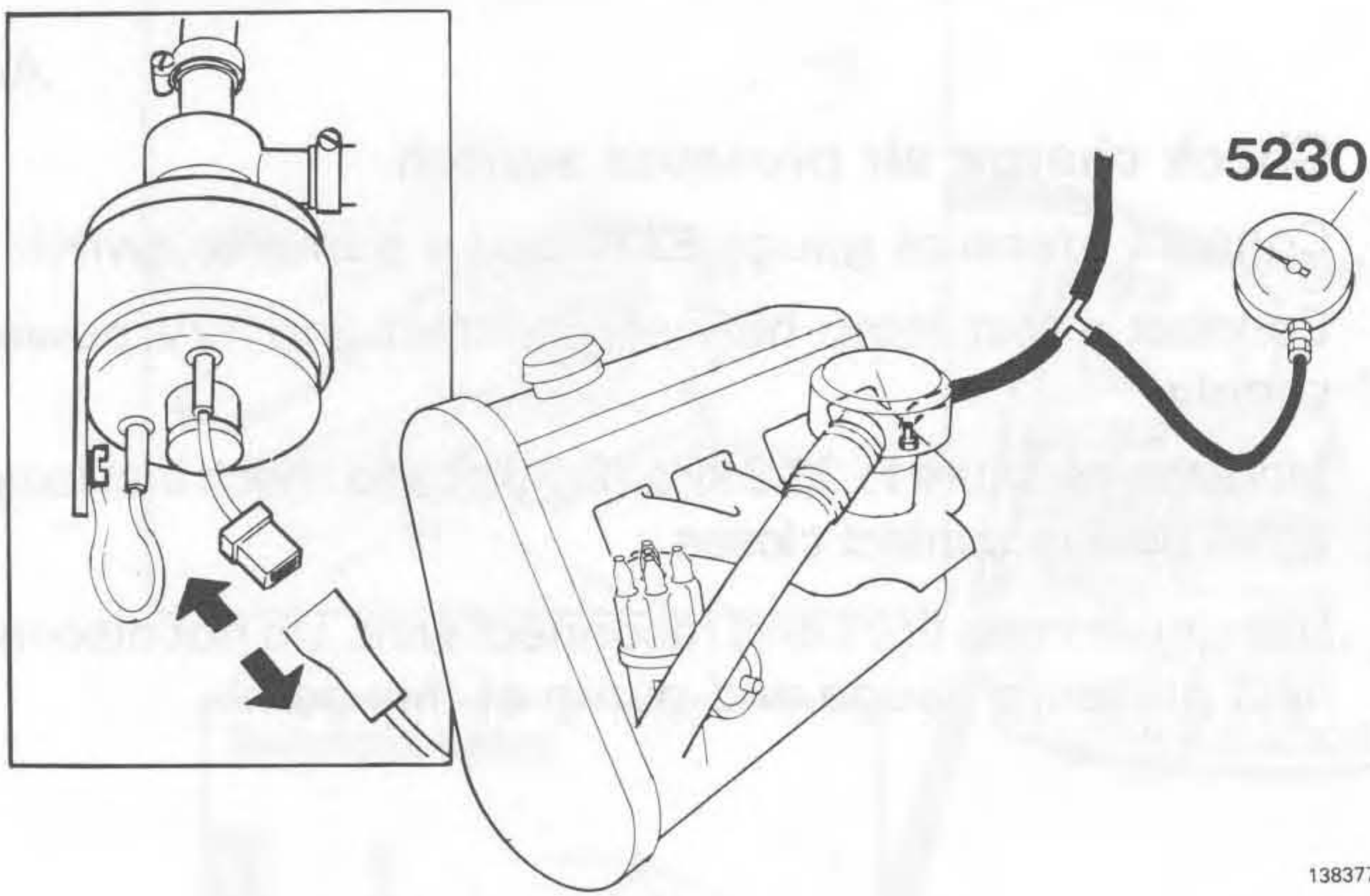
## B. Charge pressure, checking/adjusting

Special tool: 5230

**Important!** Excessively high charge pressure can cause serious damage to engine

**WARNING!** Exercise extreme caution in performing this test. If a chassis dynamometer is available it should be used.

Do not perform this test on heavily traveled or residential roads. Observe local speed limits. Do not perform test on wet or icy roads.



138377

B1

### Disconnect solenoid valve

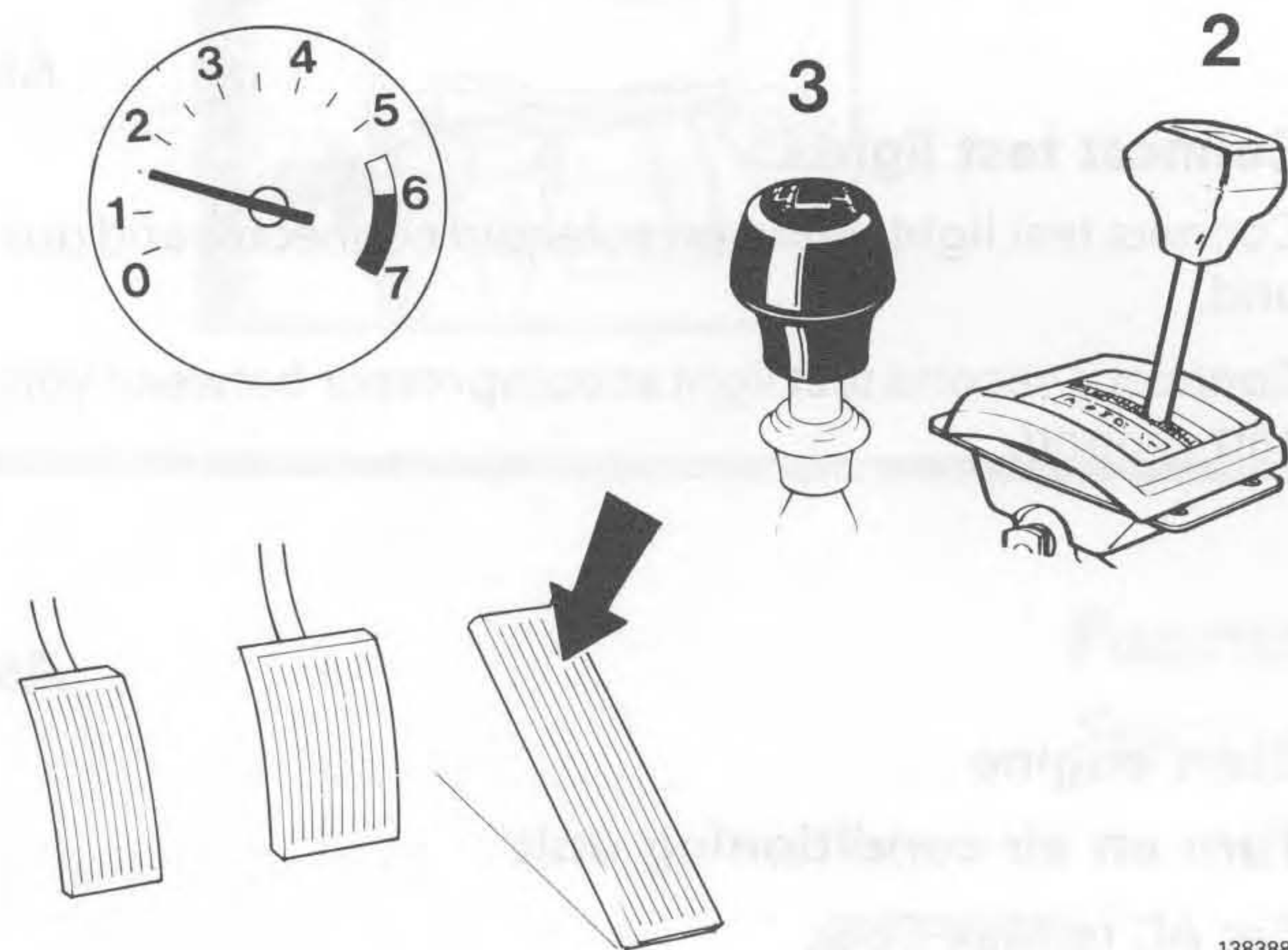
Withdraw connector from valve.

B2

### Connect test equipment

Connect pressure gauge **5230** between charge air over-pressure switch and nipple on intake manifold.

Place pressure gauge on dashboard.



138388

B3

### Warm-up engine

Drive vehicle at 40–55 mph (70–90 km/h) for 10 minutes.

B4

### Measure charge pressure

Manual transmission: engage **3rd gear**. Use 2nd gear if speed limit is exceeded.

Automatic transmission: gear selector in **position 2**

Drive at engine speed of **1500 r/min**.

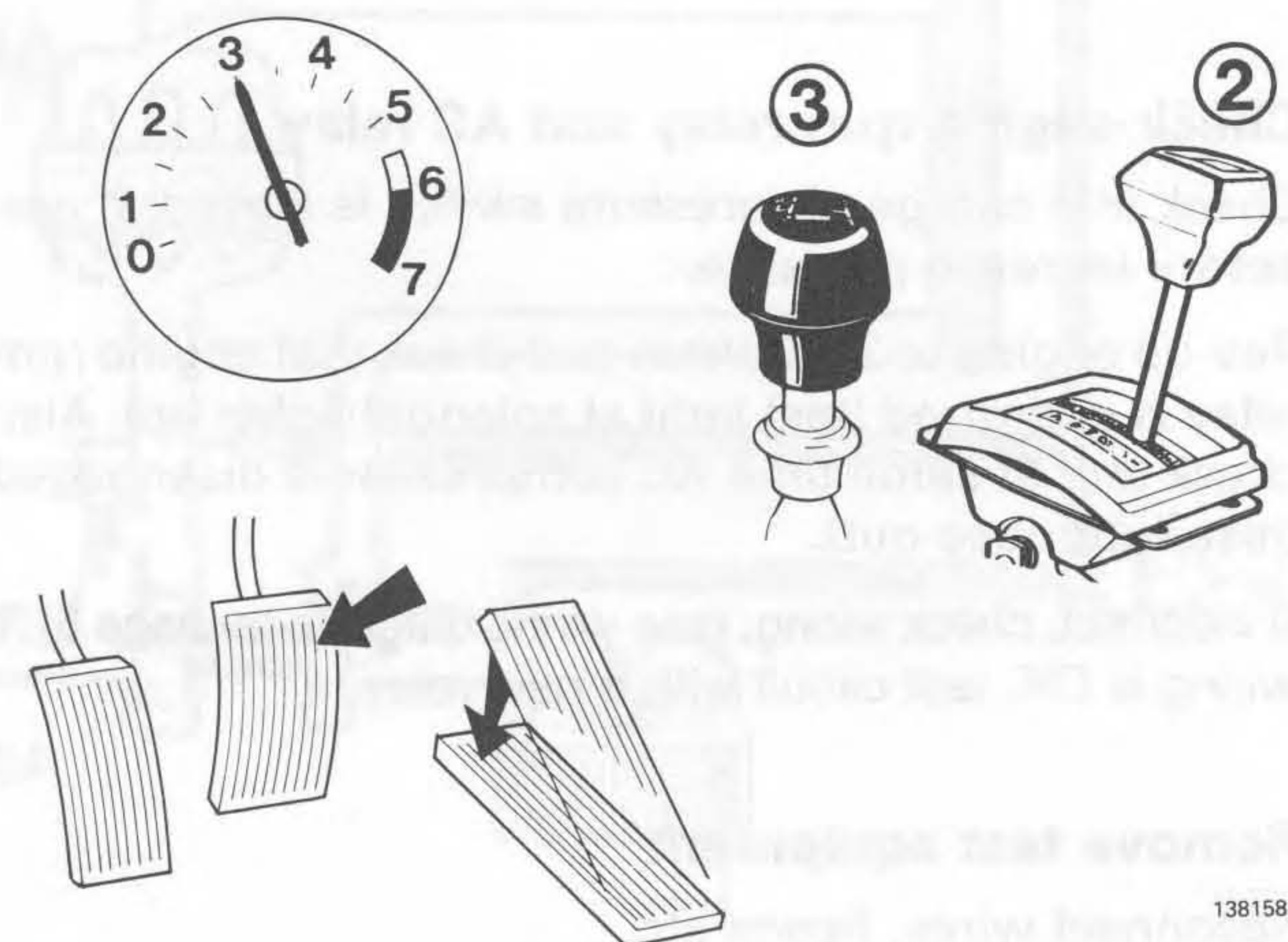
Depress accelerator to floor.

On automatic transmission vehicles do not depress accelerator so far that transmission changes down (kick-down).

Apply brakes at 3000 r/min keeping accelerator fully depressed to obtain full-load.

Record charge pressure.

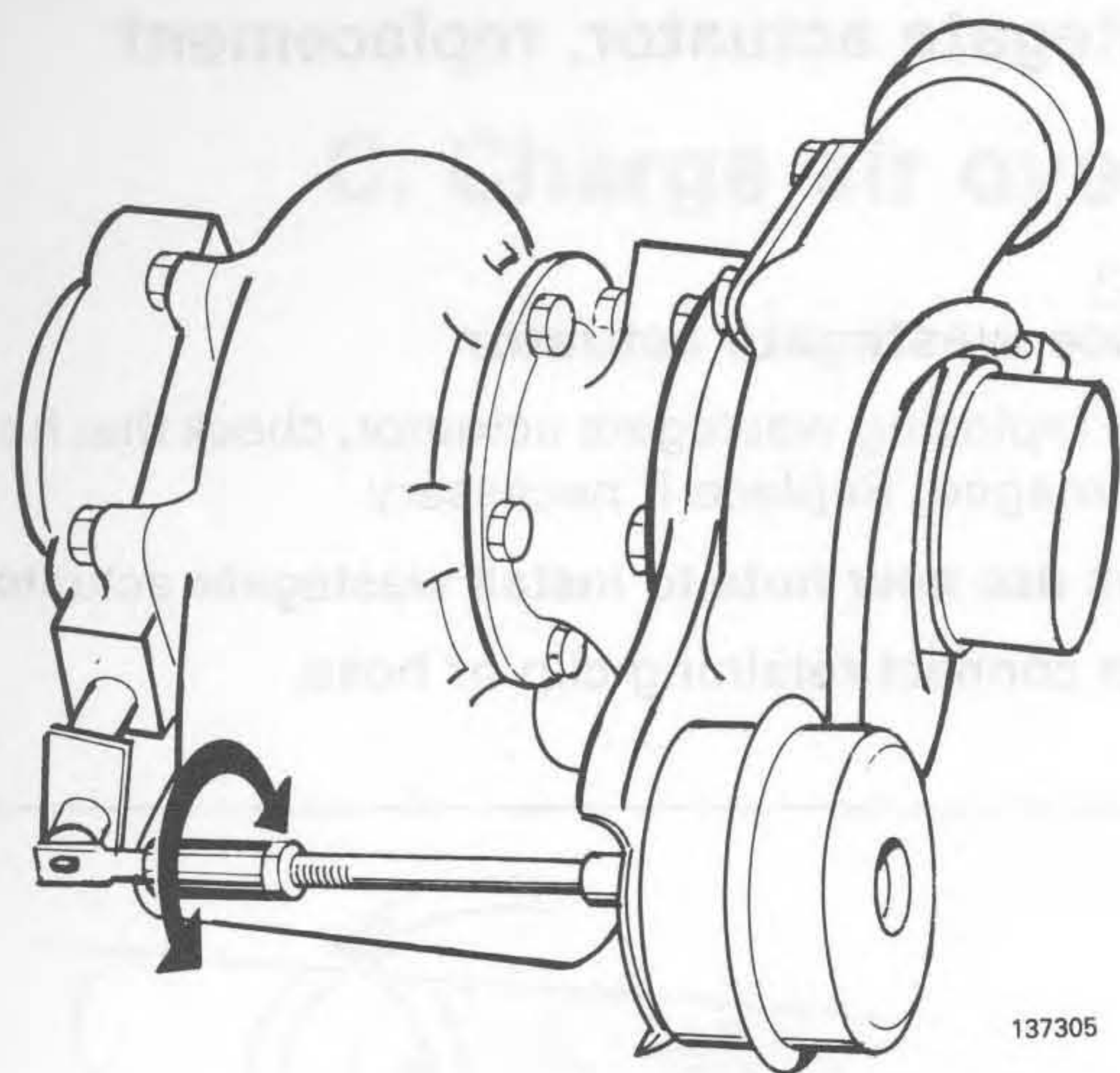
**Important:** to prevent damage to brakes, do not apply brakes for more than 5 seconds.



138158

Charge pressure should read **50–58 kPa** (7.1–8.2 psi).

If correct, remove test equipment and reconnect hose to intake manifold.



137305

## Adjusting charge pressure

B5

### Adjust charge pressure

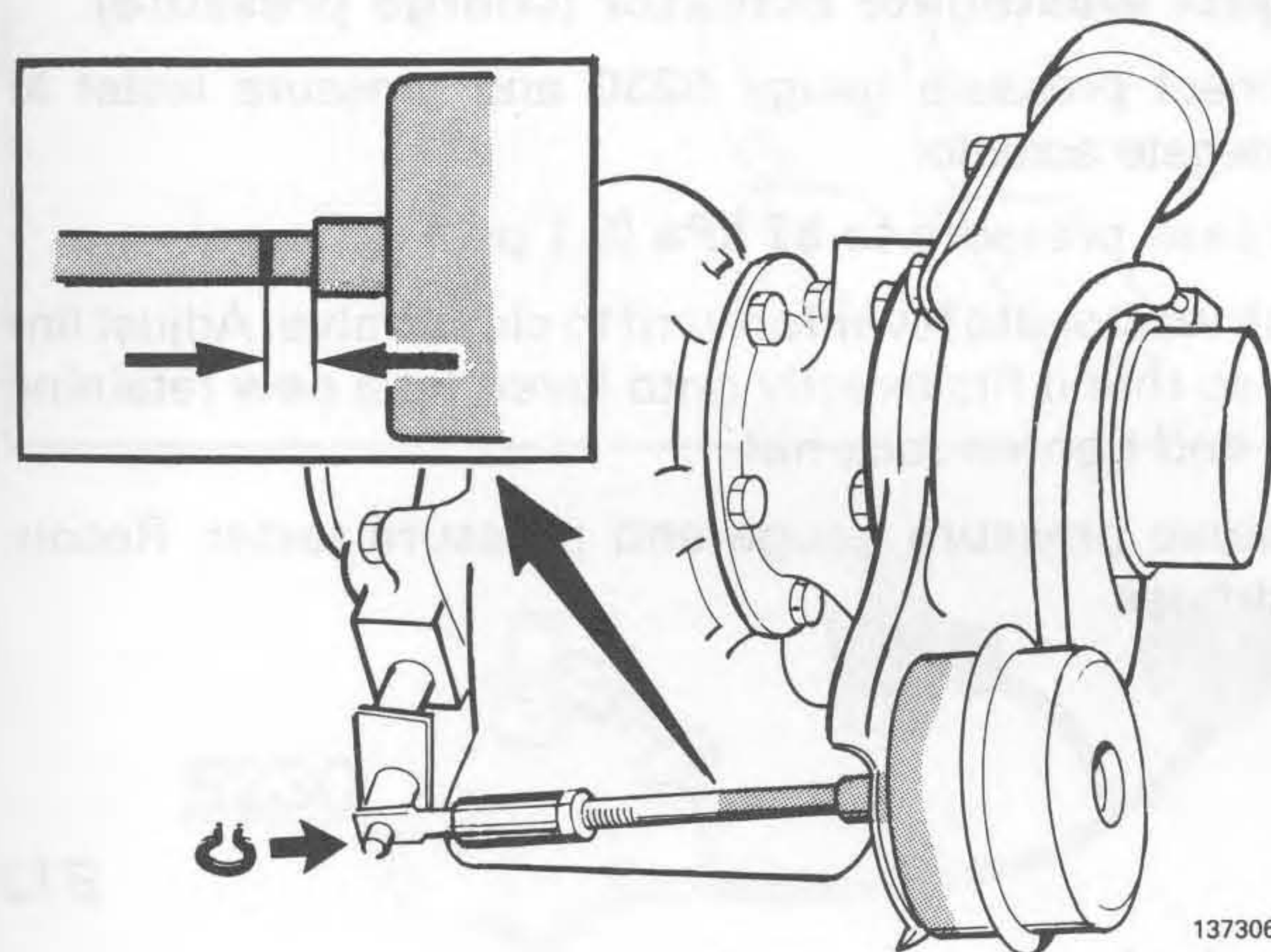
Remove seal and release retaining clip.

Adjust pressure to **55 kPa** (8 psi) by turning rod sleeve.

Turning sleeve **inward increases** charge pressure.

Turning sleeve **outward decreases** charge pressure.

One turn is equivalent to a pressure change of approx. **2 kPa** (0.3 psi).



137306

### Check basic position of link rod

B6

Link rod travel must be between 2-6 mm (0.08-0.24 in) to obtain correct operating function.

Disconnect rod sleeve from lever.

Mark position of rod at wastegate actuator.

Reconnect sleeve to lever.

Measure distance between mark and wastegate actuator.

Distance = **2-6mm** (0.08-0.24 in).

If incorrect, replace wastegate actuator, see B10.

B7

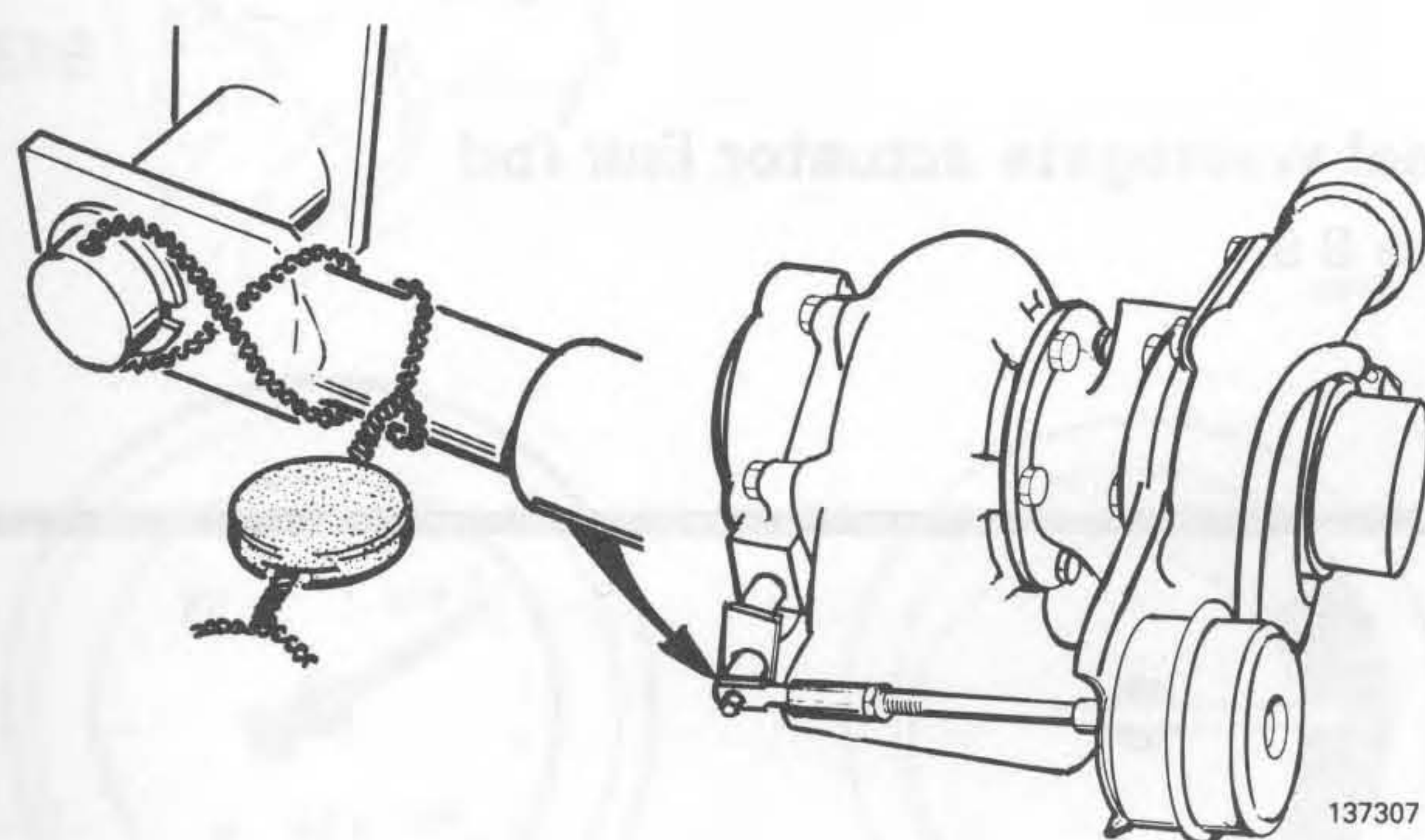
### Fit new retaining clip

B8

### Check charge pressure

See B 3-4.

B9



137307

### Seal wastegate actuator link rod

To prevent seal vibrating loose, it is important that wire is firmly wrapped around rod sleeve as illustrated.

Sealing tool, including Volvo stamp. P/N 9986408-4.

Charge pressure

**Wastegate actuator, replacement**

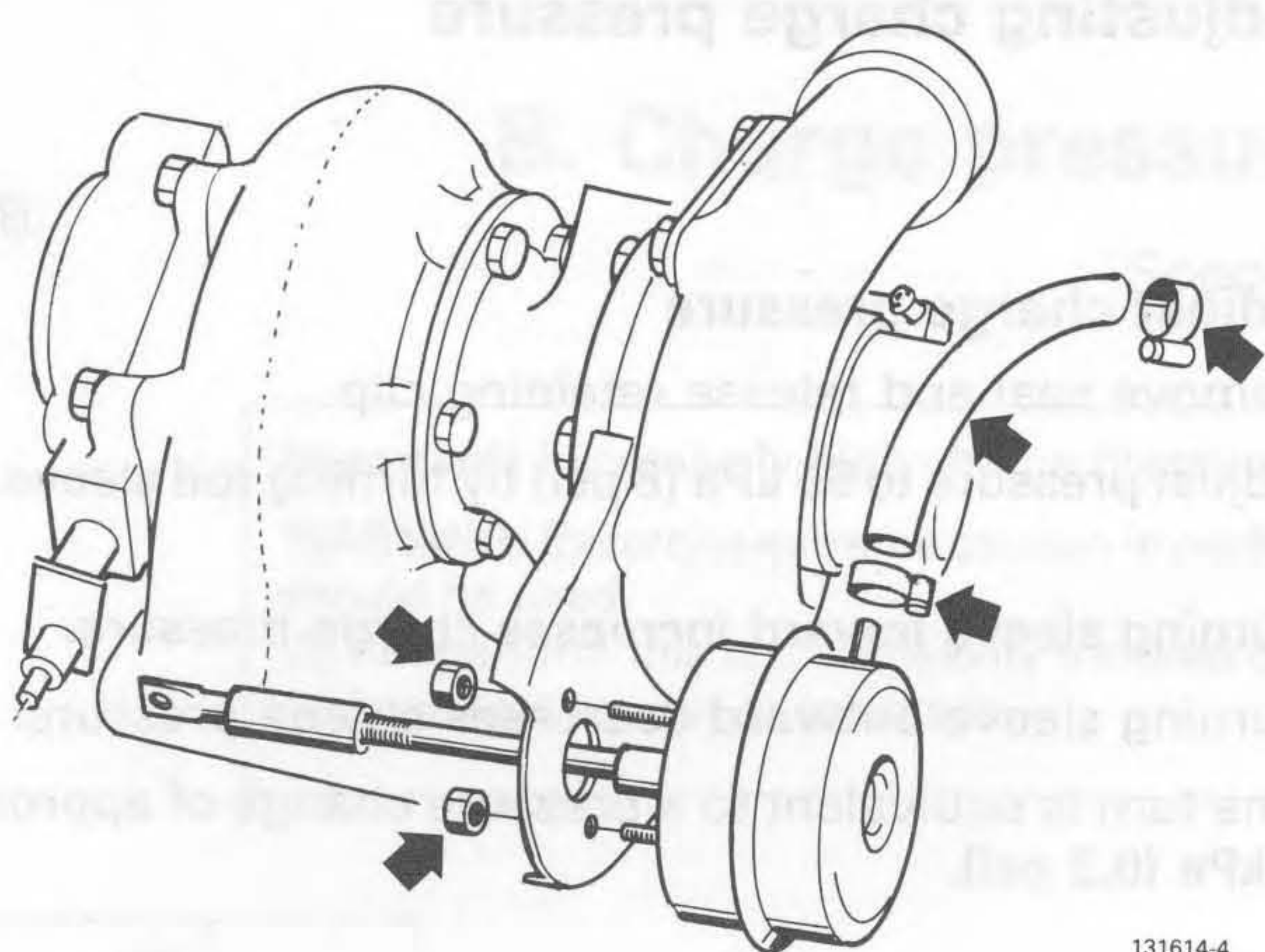
B10

**Replace wastegate actuator**

Before replacing wastegate actuator, check that hose is not damaged. Replace if necessary.

Always use **new nuts** to install wastegate actuator.

Do not connect retaining clip or hose.



131614-4

B11

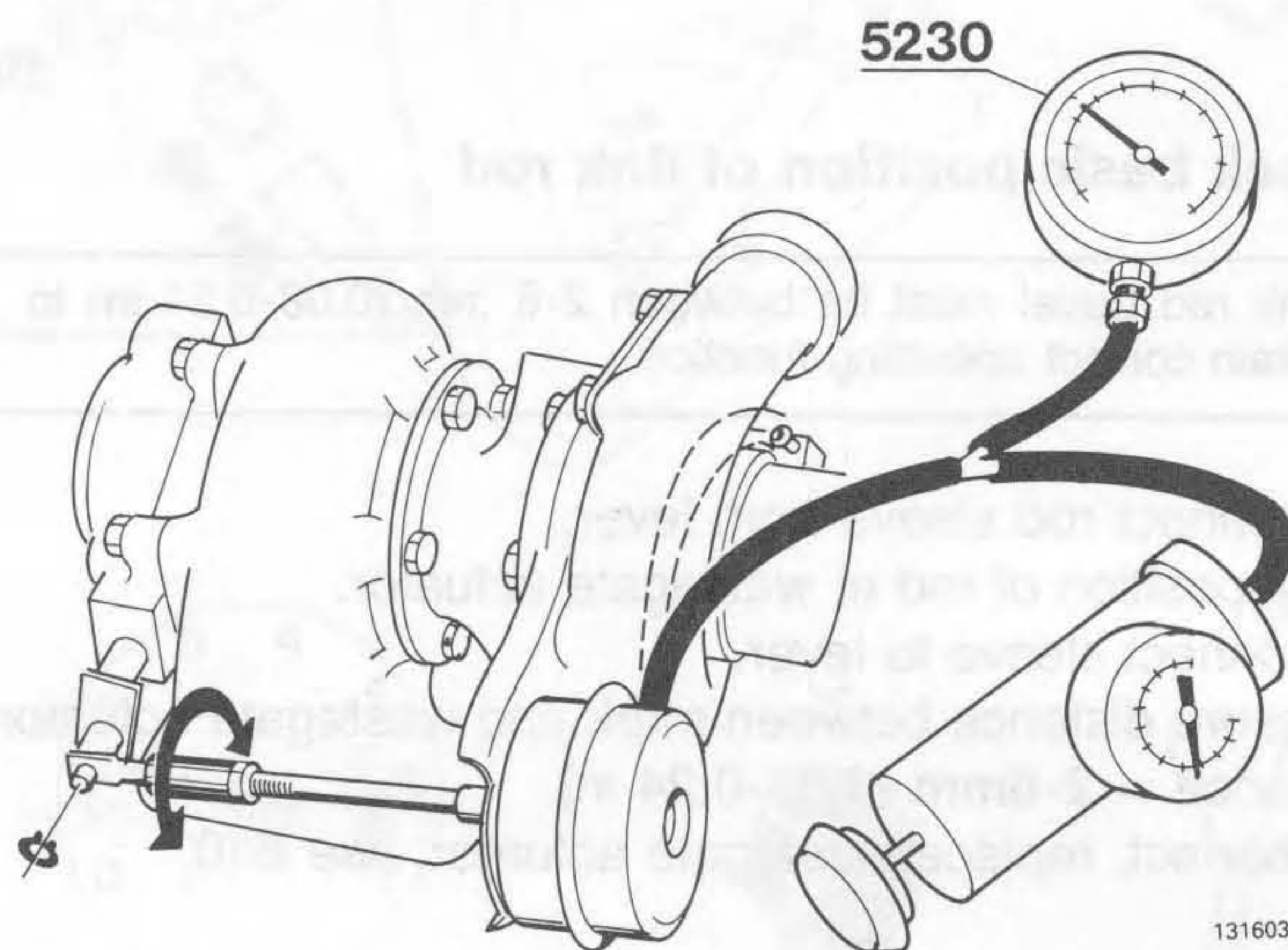
**Adjust wastegate actuator (charge pressure)**

Connect pressure gauge 5230 and pressure tester to wastegate actuator.

Increase pressure to **57 kPa** (8.1 psi).

Push wastegate lever forward to close valve. Adjust link rod so that it fits exactly onto lever. Fit a **new retaining clip** and tighten lock nut.

Remove pressure gauge and pressure tester. Reconnect hose.



131603

B12

**Check charge pressure**

See B 1-4.

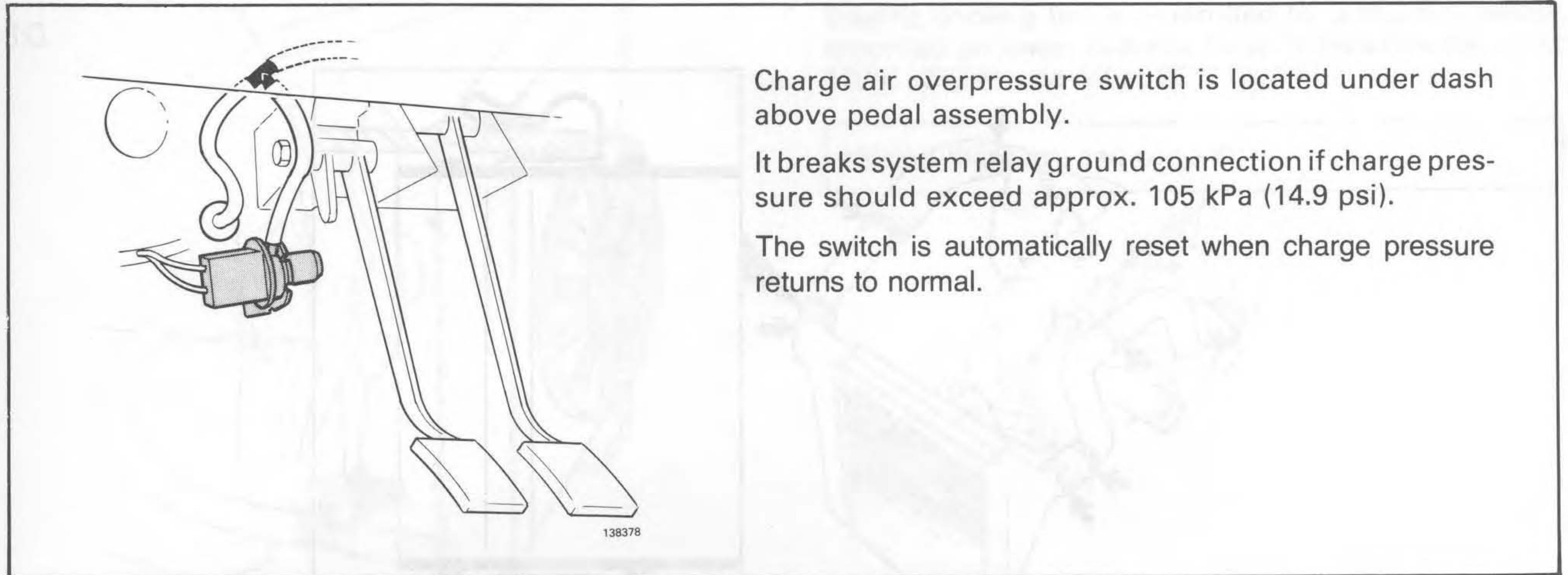
B13

**Seal wastegate actuator link rod**

See B 9.

## C. Charge air overpressure switch, checking

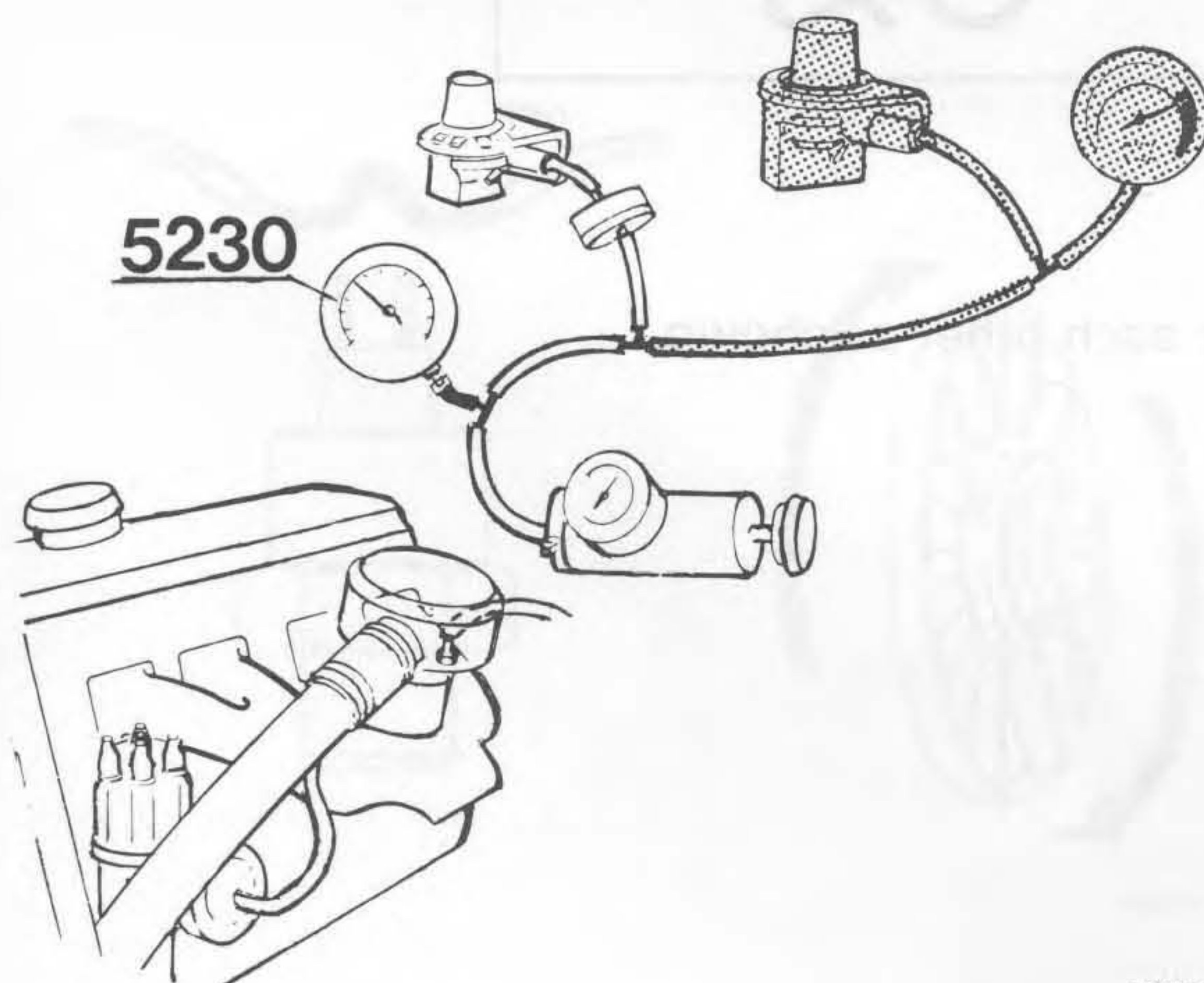
Special tool: 5230



Charge air overpressure switch is located under dash above pedal assembly.

It breaks system relay ground connection if charge pressure should exceed approx. 105 kPa (14.9 psi).

The switch is automatically reset when charge pressure returns to normal.



C1

### Connect test equipment

Connect pressure gauge **5230** and a pressure tester to hose at intake manifold.

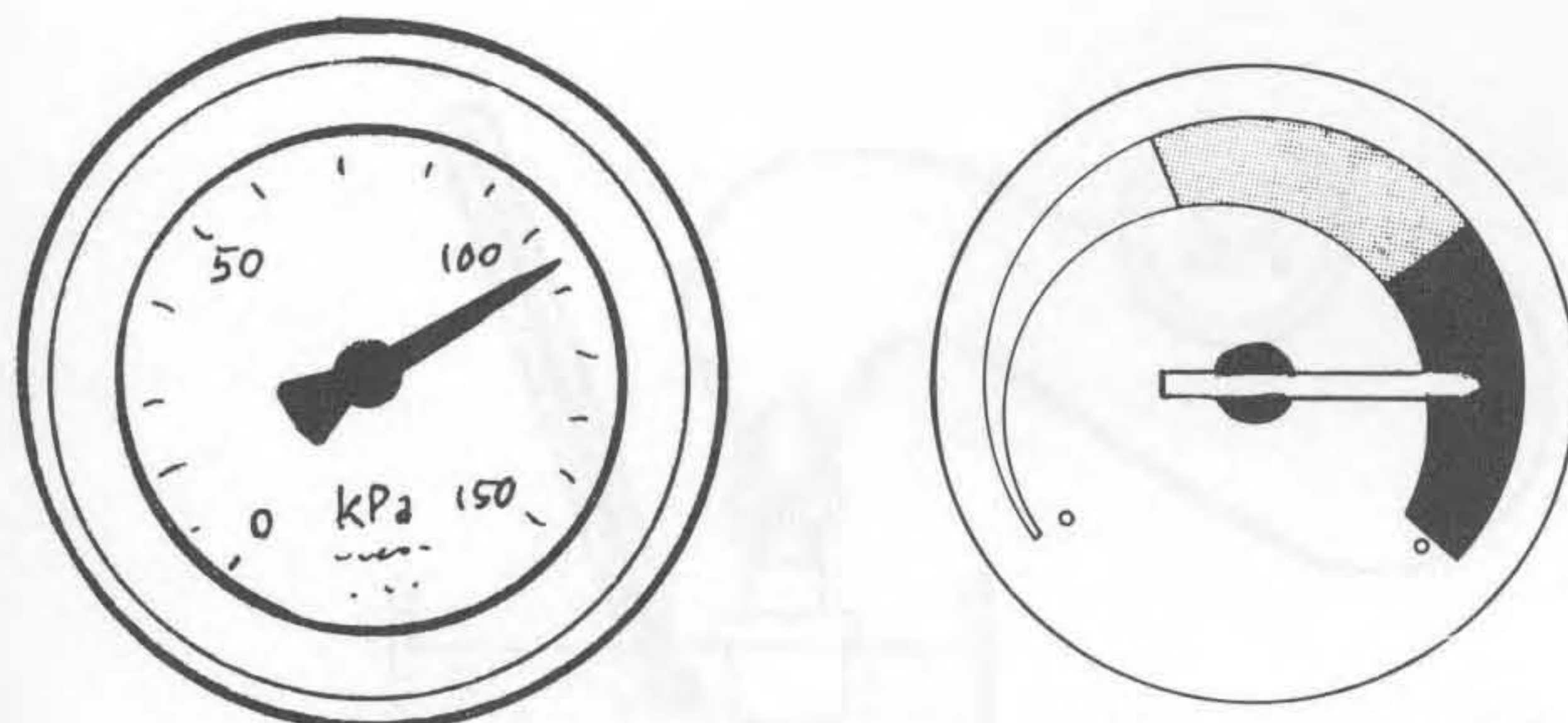
C2

### Check charge air overpressure switch

Start engine.

Increase pressure until engine stalls i.e. switch opens.

**Important!** Do not exceed 120 kPa (17.1 psi) or dashboard pressure gauge may be damaged.



Engine should stall at **100–110 kPa** (14.2–15.6 psi) and pointer should be in red section on dashboard gauge.

Replace switch if defective.

C3

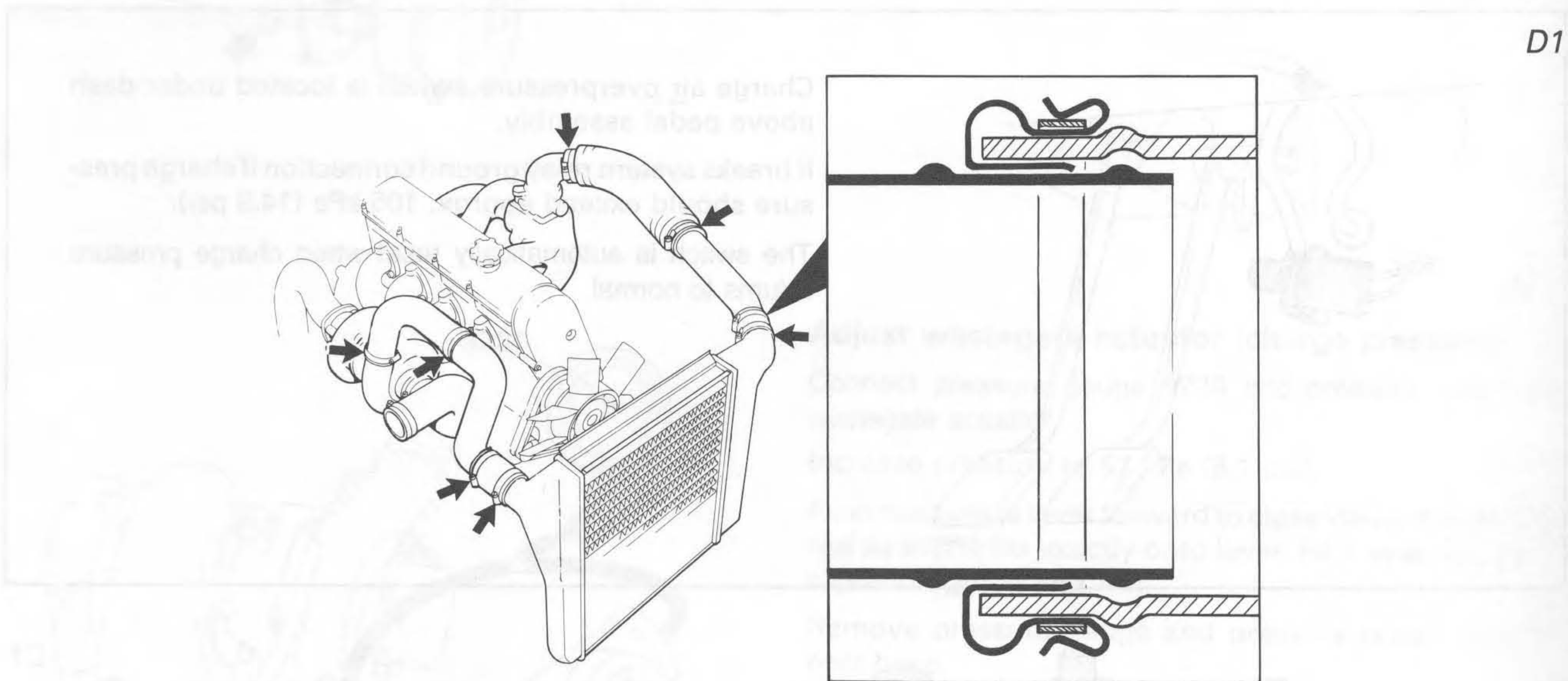
### Remove test equipment

Turn off ignition.

Remove pressure gauge 5230 and pressure tester. Reconnect hose to intake manifold.

Intercooler, hoses, clips

### D. Intercooler hoses, clips



D1

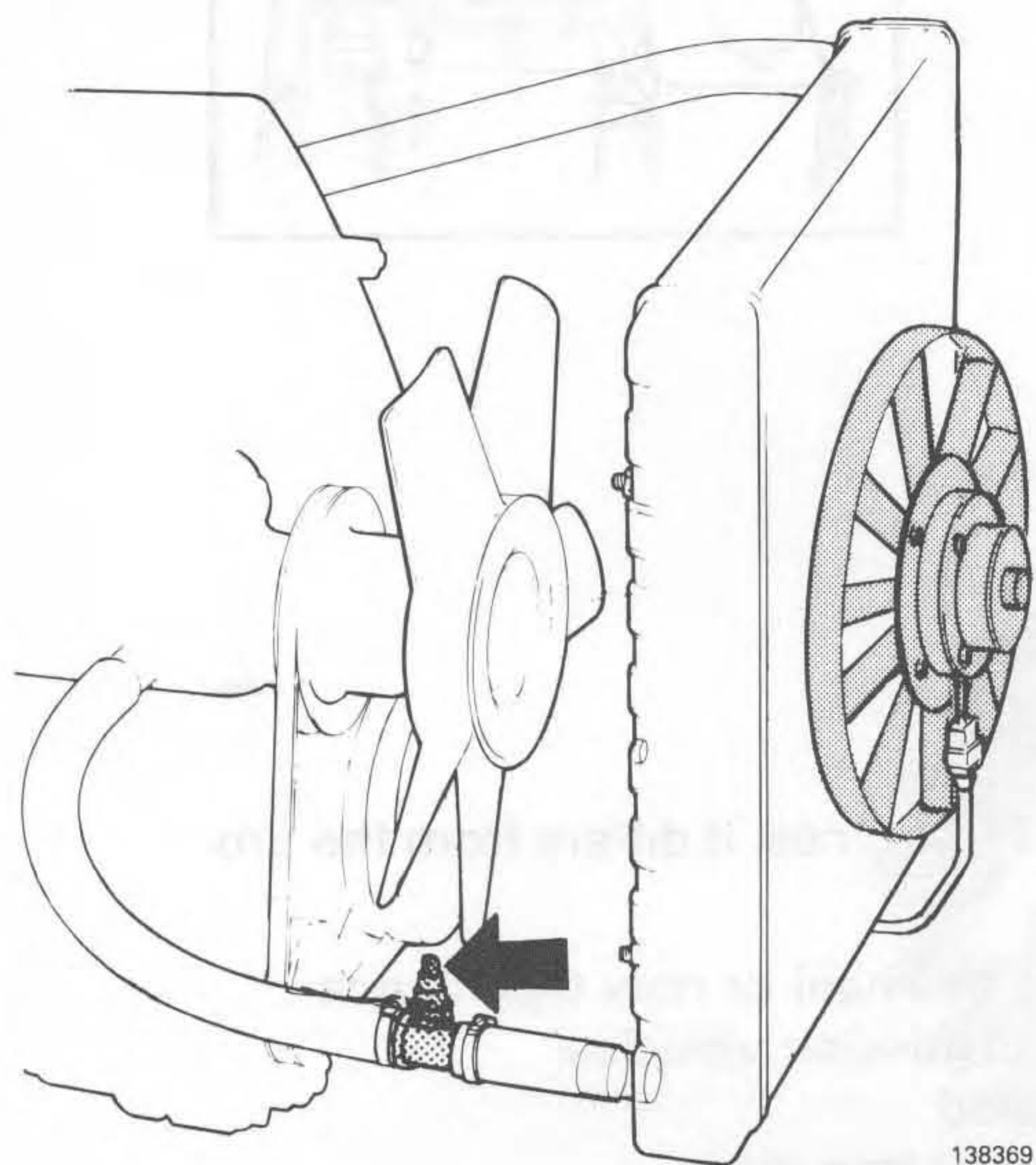
138380

- Two retainers per clip
- Retainers should be opposite each other as shown.



## Group 26 Cooling system

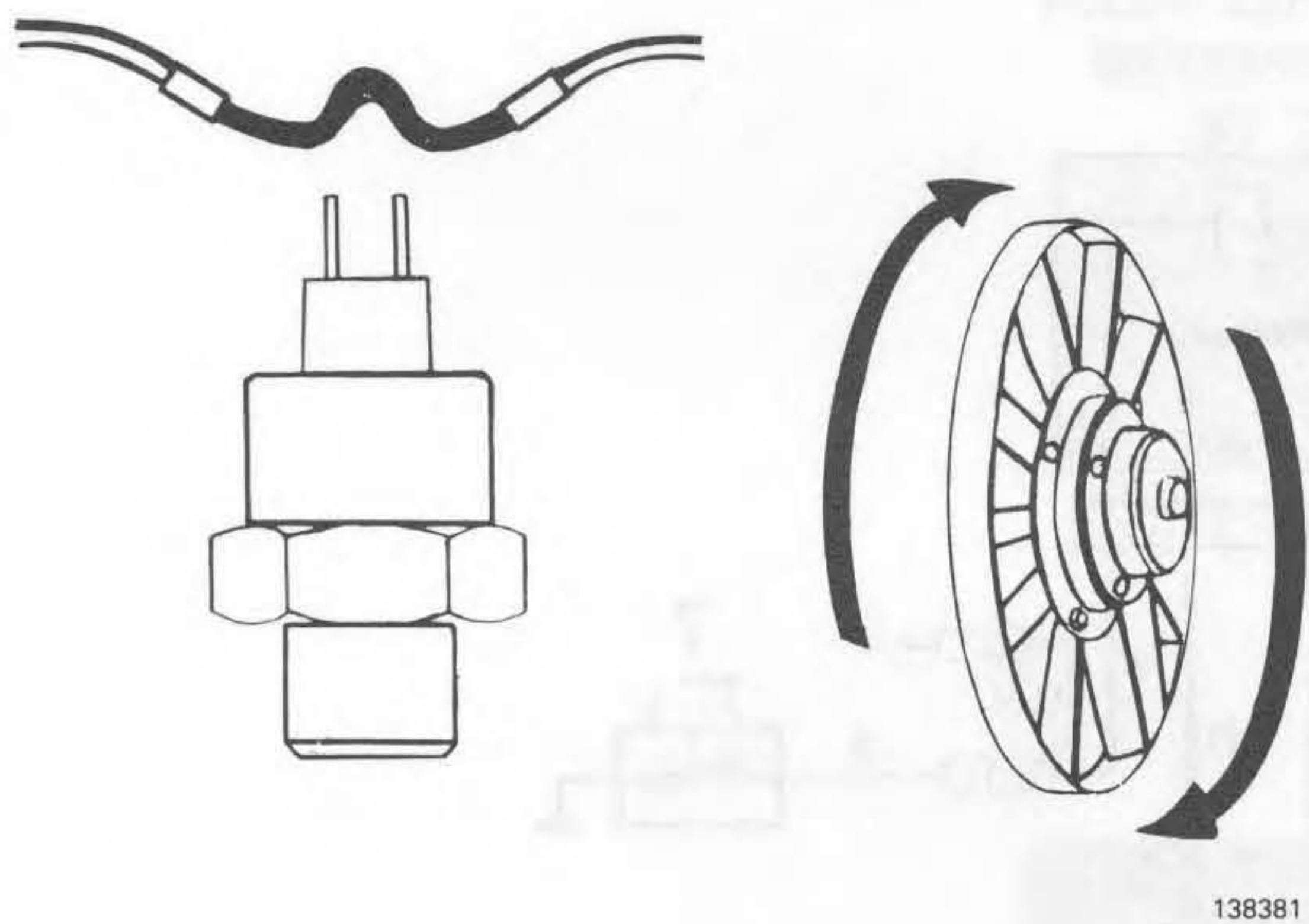
### E. Thermal switch – electric cooling fan, checking



E1

Electric cooling fan is controlled by a thermal switch mounted on lower radiator hose. It switches fan on at 100°C (212°F) and off at 95°C (203°F).

Wiring diagram, see page 6.



E2

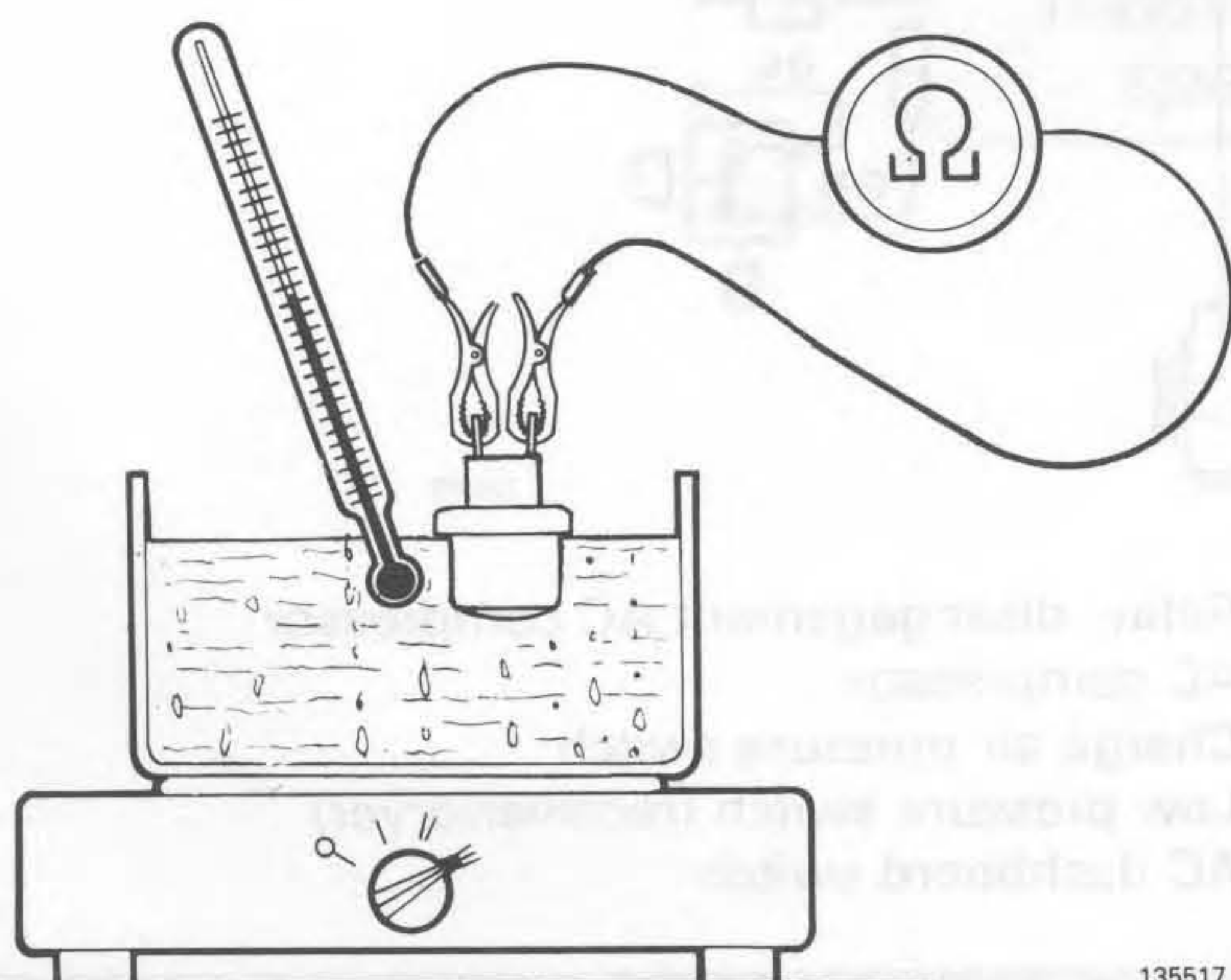
#### Checking electric cooling fan relay and fan

Turn on ignition.

Join the two wires connected to the switch.

Fan should start.

If not, check wires and relay, see wiring diagram on page 6.



E3

#### Checking thermal switch

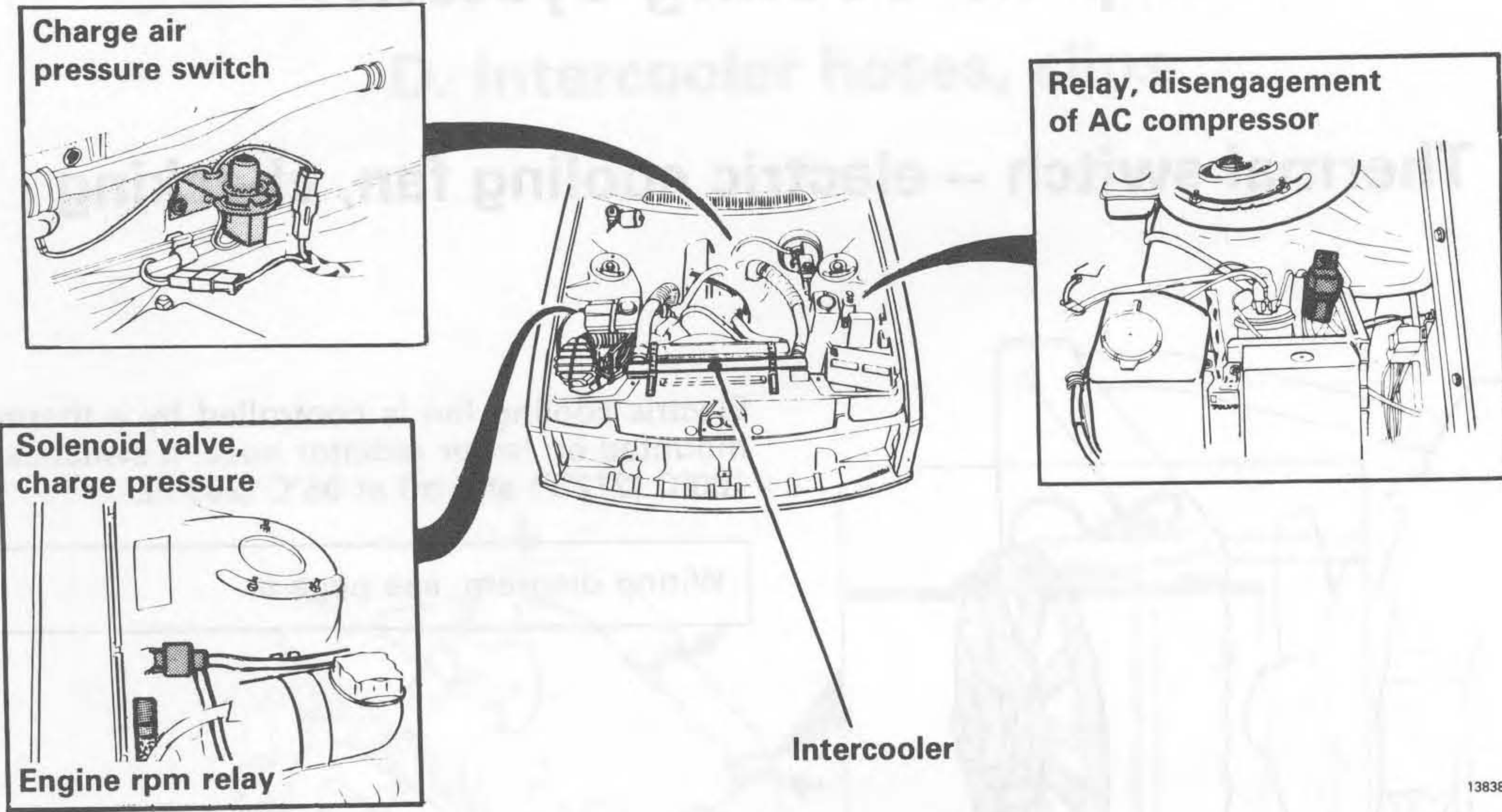
If required the thermal switch can be tested by heating it in an oil bath or oven and observing the pointer of an ohm meter connected between the two terminals.

The switch should cut in at **97–102°C = 207–216°F** (small deflection).

On cooling to **97–92°C (207–198°F)** the switch should break the circuit (large deflection).

If an oil bath is used to heat the switch care should be taken to ensure that the switch does not touch the sides or bottom of the bath. Also, the thermometer should be held near to the switch.

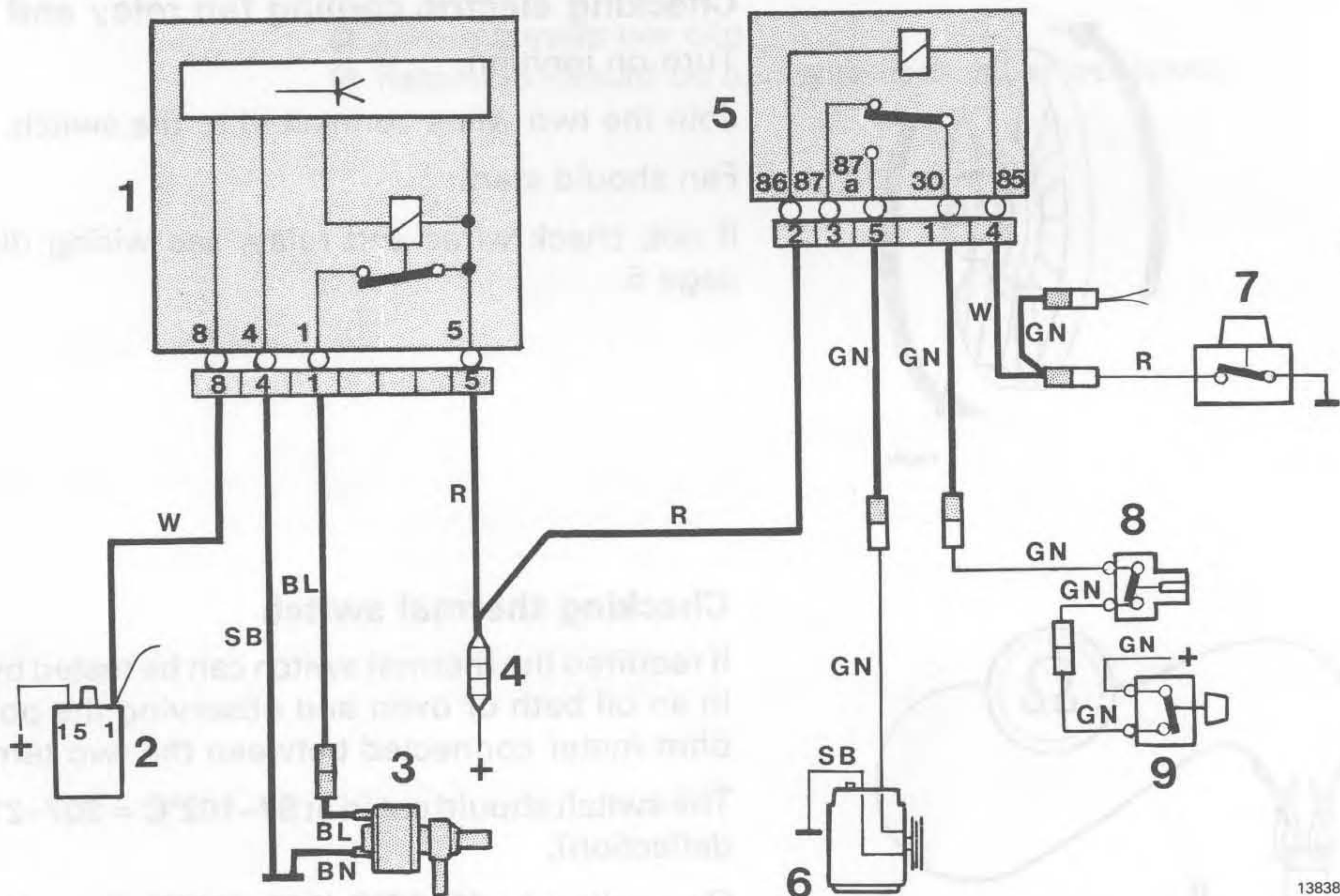
# Intercooler kit



138382

An intercooler conversion kit is available for earlier B 21 FT engines. It differs from the production version in the following points:

- it does not include an electric cooling fan, heavy-type flywheel or new type clutch
- modified C1 type clutch is not fitted on automatic transmission vehicles.  
Also modified valve body separator plate is not supplied
- engine rpm relay is slightly different and is not fitted in same place
- wiring is different



138383

- |  |  |
|--|--|
| <ul style="list-style-type: none"> <li>1 Engine rpm relay</li> <li>2 Ignition coil</li> <li>3 Solenoid valve</li> <li>4 Fuse No. 12</li> </ul> | <ul style="list-style-type: none"> <li>5 Relay, disengagement AC compressor</li> <li>6 AC compressor</li> <li>7 Charge air pressure switch</li> <li>8 Low pressure switch (receiver/dryer)</li> <li>9 AC dashboard switch</li> </ul> |
|--|--|



**VOLVO SUPPORTS VOLUNTARY  
MECHANIC CERTIFICATION  
BY THE N.I.A.S.E.**

(U.S.A. only)

***Service literature***

*Your  
most important  
special tool*

# VOLVO

TP 30685/2  
6000 04.84  
Printed in U.S.A.