

Service Manual

Repairs and maintenance

TP 32352/1

Section 3 (39)

Wiring
diagrams

240 1993

Late version

VOLVO

Cars with SRS (airbag)

Warning

Cars equipped with a Supplemental Restraint System (SRS) must be treated extra carefully when repairs are being made. This is to help prevent:

1. Injuries when carrying out a repair. 2. Damage or malfunction of the SRS system. Repair to either the SRS system itself or a related system or component must be carried out by an authorised Volvo workshop. Refer to the SRS service manual if in doubt.

Is the car equipped with SRS?

Each SRS-equipped Volvo has "SRS" embossed on the steering wheel pad.

Near the dashboard or around steering column:

Take care to avoid electric wiring being crushed, frayed or pierced by screws/bolts when drilling or working on the firewall, knee bolster, ignition switch or steering column covers.

At the driver's seat, centre console or driver's footwell carpet

The SRS collision sensor is located under the left front seat. **Never** disconnect the collision sensor connector. **Never** install accessories on or near the sensor.

For repairs to the steering and front suspension

When carrying out repairs to the steering wheel, steering gear or steering column, always follow the repair procedures given in the SRS service manual. Read the relevant sections! The contact reel in the steering column will be damaged if the steering wheel is turned more than three turns in either direction.

Modifications up to October 1992 included

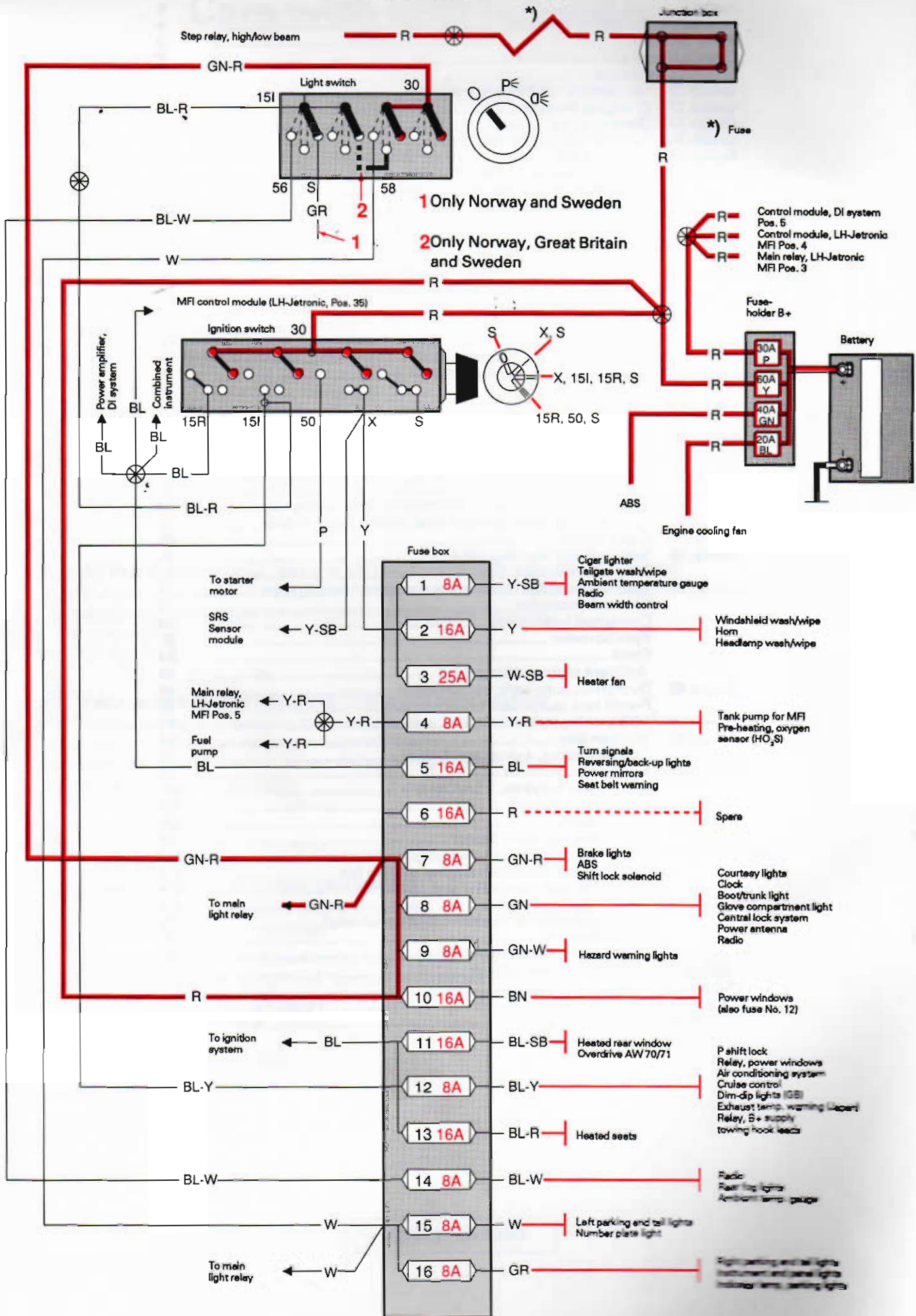
Modifications introduced after the above date are not covered in this manual. See Service Bulletins as applicable.

Volvos are sold in versions adapted for different markets. These adaptations depend on many factors including legal, taxation and market requirements. This manual may therefore show illustrations and text which do not apply to cars in your country.

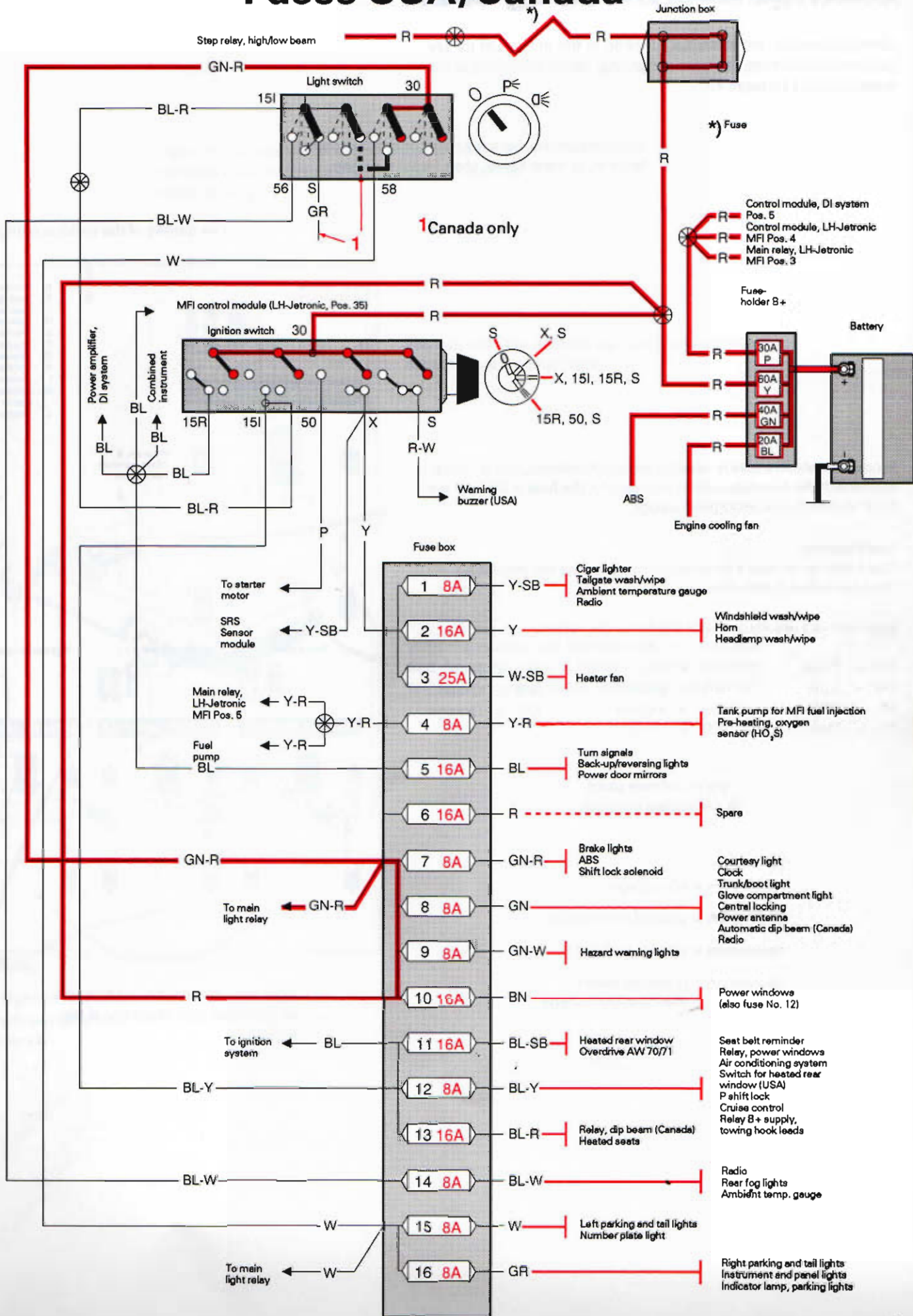
INDEX

Fuses	2
How to use the wiring diagrams	4
Relay location	6
Cable harness and connectors	8
Ground connectors	9
Group 23 LH-Jetronic 2.4 MFI fuel injection	12
Group 32 Charging system	14
Group 33 Starting circuit	16
Group 34 EZ-116K DI ignition system	18
Group 35 High and low beam	20
High and low beam, USA/Canada	22
Reduced intensity dim-dip low beam (GB)	24
Parking, tail and number plate lights	26
Brake lights without extra lamp	28
Brake lights with extra lamp	30
Brake lights, US with extra lamp	32
Backup (reversing) lights, manual transmission	34
Backup lights, automatic transmission	36
Instrument and control lights	38
Glove compartment light	40
Interior lights	42
Interior lights, delay function	44
Interior lights, estate car cargo area	46
Trunk light	48
Rear fog lights	50
Beam width regulation	52
Group 36 Turn signals and hazard warning lights	54
Horn	56
Windshield wash/wipe	58
Headlight wash/wipe	62
Tailgate wash/wipe with intermittent relay, 5-door	64
Tailgate wash/wipe without intermittent relay, 5-door	66
Cigar lighter	68
Group 38 Seat belt/key warning, USA	70
Bulb failure sensor	72
Bulb failure sensor with brake circuit monitor, Europe	74
Seat belt reminder	78
Combined instrument	80
Speedometer	82
Clock	84
Ambient temperature gauge	86
Group 43 Overdrive, automatic transmission	88
P-shift lock (automatic transmission)	90
Group 51 ABS braking system	92
Group 83 Window lifts	94
Central locking, 4-door and 5-door	96
Group 84 Heated rear window	100
Heated rear window, USA/Canada	102
Power door mirrors	104
Group 85 Heated seats	106
Heater fan, standard heater	108
Heater fan, combined heater (CU)	110
Ventilation system with engine cooling fan	112
Radio with extra amplifier and power antenna	114
Exhaust temperature sensor, Japan	116
SRS Supplemental Restraint System (airbag)	118
Cruise control	120
Cruise control, function diagram	122
Factory-fitted wiring for towing hook	124
Notes	126
Complete wiring diagrams	Foldout at end of book
Alphabetical index	At end of book

Fuses



Fuses USA/Canada



How to use the diagrams

Look up the relevant electrical function in the index. Let us say you want to examine the interior lighting, which according to the index is found on page 42.

Here you can see how the components are connected and, in most cases, their internal wiring.

The names of the various components.

In cases in which a fuse is used for several functions, this is indicated here. If the function operates properly, the fuse is OK and the fault is to be found after the fusebox.





Fault-tracing

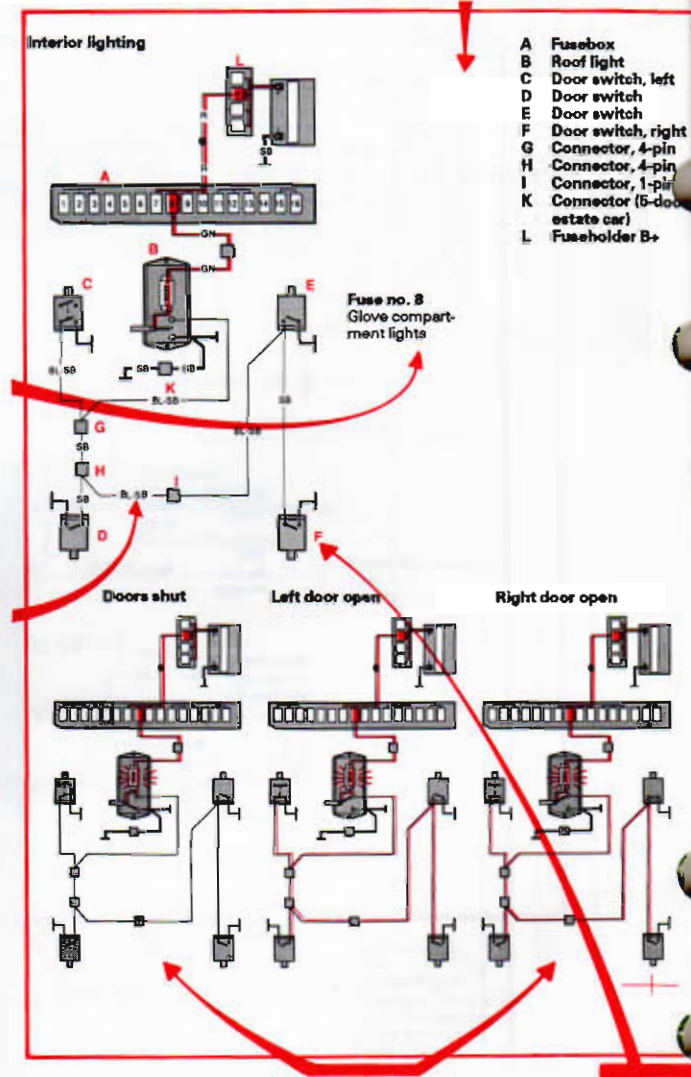
Use a test lamp with a pointed tip to penetrate the insulation through to the metal core:

Lead colours are shown with the following letters:

SB = Black	R = Red	BL = Blue
GR = Grey	BN = Brown	GN = Green
W = White	Y = Yellow	OR = Orange
P = Pink	VO = Violet	

Key to colours used in the wiring diagram

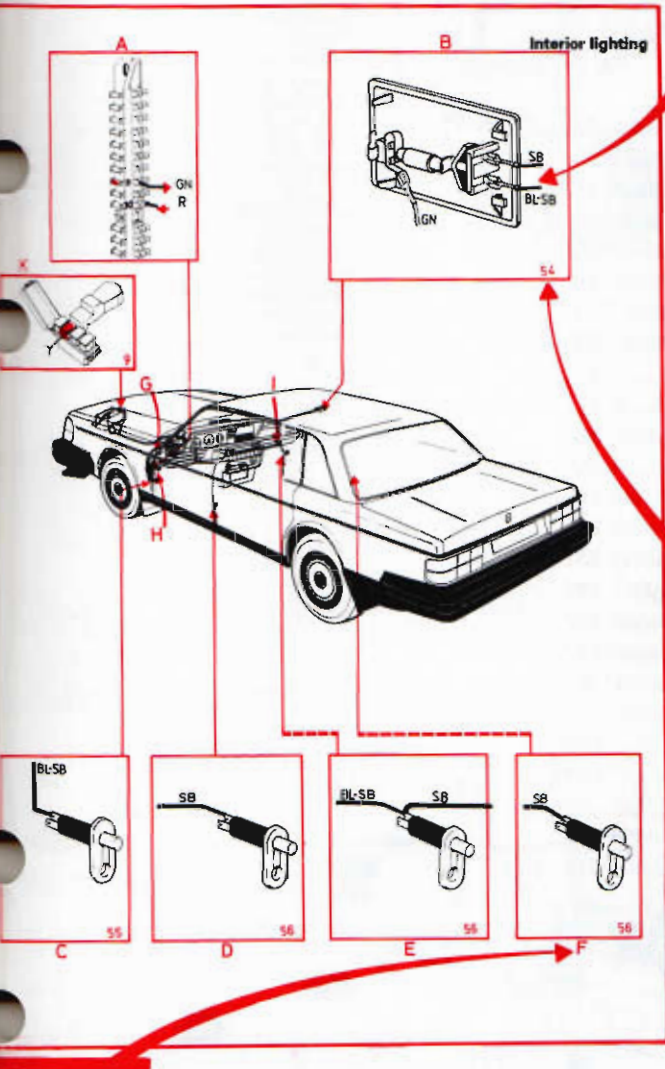
-  = no voltage
-  = ground connection
-  = system voltage
-  = potential lower than system voltage



Here you can see the voltage set-up in the various operational positions.

How to use the diagrams

Here you can see the locations of the various components used for the function in question, and the cable routing.

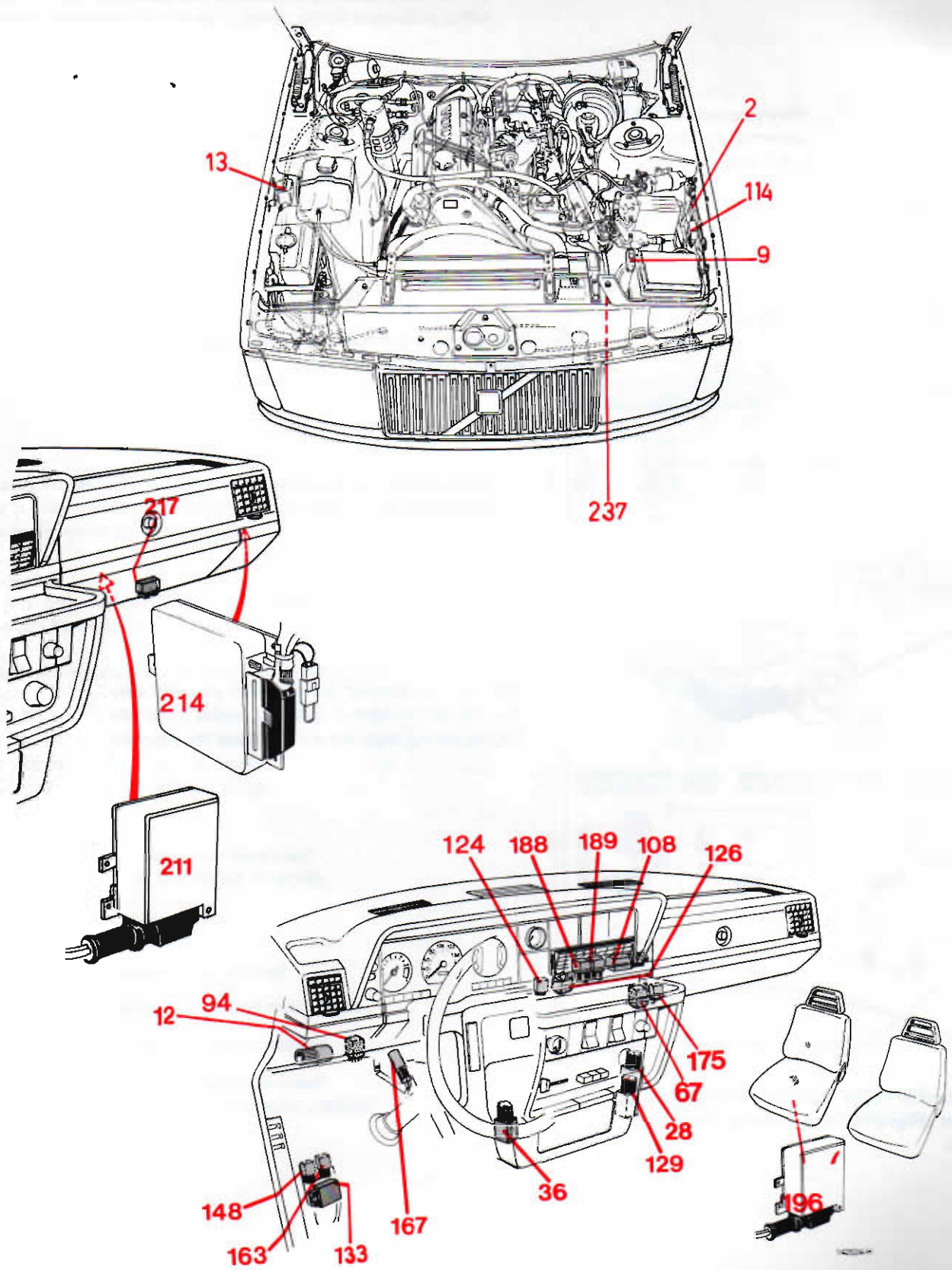


You can also see how the various leads are connected to each component.

With the component number (54) you will also find the component in question in the complete foldout wiring diagram at the back of the manual.

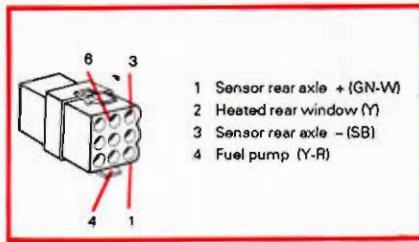
The alphabetical codes help you switch from the component diagrams to the wiring diagram in your work.

Relays

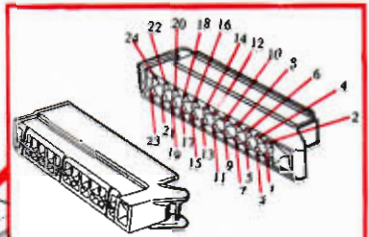
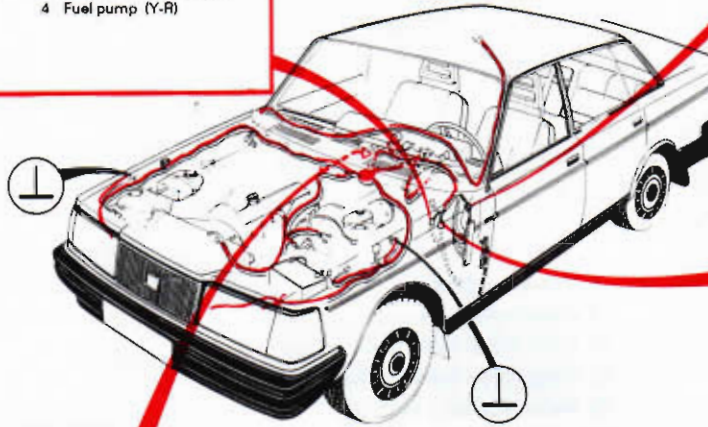


- 2 Junction box
- 9 Fuseholder B+
- 12 Bulb failure sensor
- 13 Step relay for high/low beams
- 28 Relay for turn signals
- 36 Relay, P-shift lock
- 67 Time-delay relay, heated door mirrors
- 94 Fasten seat belt light (USA)
- 108 Overdrive relay (automatic transmission)
- 114 Relay, engine cooling fan
- 124 Headlight relay
- 126 Power window relay
- 129 Air conditioning relay
- 133 Dim-dip regulator (GB)
- 148 Windshield wiper interval relay
- 163 Tailgate wiper interval relay
- 164 Relay, glowplug current
- 167 Relay, delayed courtesy light
- 175 Time-delay relay,
heated rear window (USA)
- 188 Central lock motor, unlocking
- 189 Central lock motor, locking
- 196 ABS braking system control module
- 211 EZ-116 K(DI) ignition system control module
- 214 Control module, LH-Jetronic MFI system
- 217 Main relay, LH-Jetronic MFI system (F engine)
- 237 Relay, ignition lock-regulated
B+ supply, towing hook contact

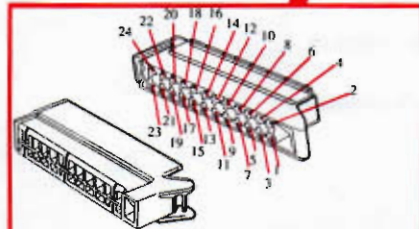
Cable harness and connectors



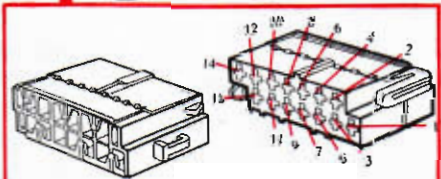
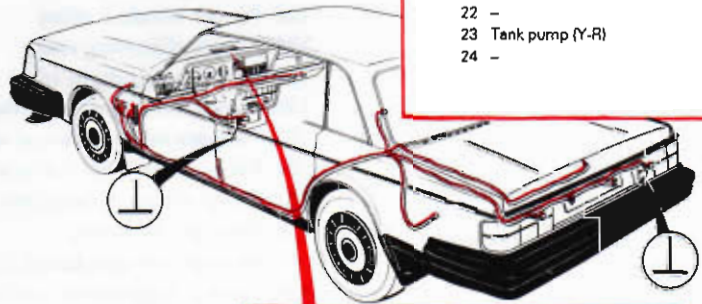
- 1 Sensor rear axle + (GN-W)
- 2 Heated rear window (Y)
- 3 Sensor rear axle - (SB)
- 4 Fuel pump (Y-R)



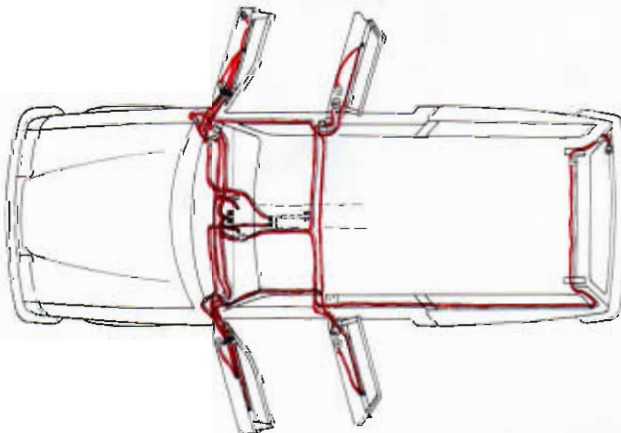
- 1 Fuel level sensor (GR)
- 2 Direction indicator left (BL-GN)
- 3 Direction indicator right (BL)
- 4 Rear fog light left (VO)
- 5 Rear window wash (BL-R)
- 6 Number plate light (W)
- 8 Reversing/back-up lights (SB)
- 9 Radio dimmer (BL-W)
- 10 Parking light right (BN-W)
- 11 Courtesy light (SB), (BL-SB)
- 12 -
- 13 Trunk/boot light (GN)
Radio + ACC (GN)
- 14 Radio + batt (Y-SB)
Rear window wiper (estate)
- 15 Extra brake light (BL-Y)
(cars with central locking system)
- 16 Radio rheostat (BN)
- 17 Rear fog light right (VO-W)
- 18 -
- 19 Brake light left (Y-GR)
- 20 Brake light right (Y)
- 21 -
- 22 -
- 23 Tank pump (Y-R)
- 24 -



- 1 +15 supply (BL)
- 2 A/C signal to LH control module, connector 15
- 3 Fuel pump Y-R
- 4 AC signal to LH control module, connector 14 (GN, GN)
- 5 Signal from speedometer to LH control module conn. 34 (BL-SB)
- 6 Gearshift indicator (VO)
- 7 Indicator lamp, engine diagnosis (P-W, P-W)
- 8 Heating, H02S (Y-R)
- 9 "+50" signal to LH control module conn. 30 (P)
- 10 +30 supply to ignition/fuel system (R)
- 11 +30 supply to ignition/fuel system (R)
- 12 -
- 13 -
- 14 -
- 15 -
- 16 -
- 17 Oil pressure sensor (SB)
- 18 Temperature sensor (Y)
- 19 Generator D+/61 (R)
- 20 -
- 21 Starter motor "50" (BL-Y)
- 22 -
- 23 -
- 24 -

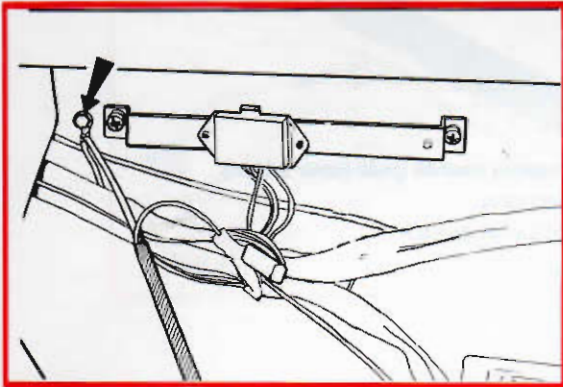


- 1 Loudspeaker front left + (Y-W)
- 2 Loudspeaker front right + (Y-GR)
- 3 Loudspeaker front left - (W)
- 4 Loudspeaker front right - (Y-GR)
- 5 -
- 6 Dimmer (Fuse No. 14) (BL-W)
- 7 Rheostat (BN)
- 8 -
- 9 + Batt (fuse No. 8) (GN)
- 10 Ground (SB)
- 11 + ACC (fuse No. 1) (Y-SB)
- 12 Power antenna (R)
- 13 -
- 14 -



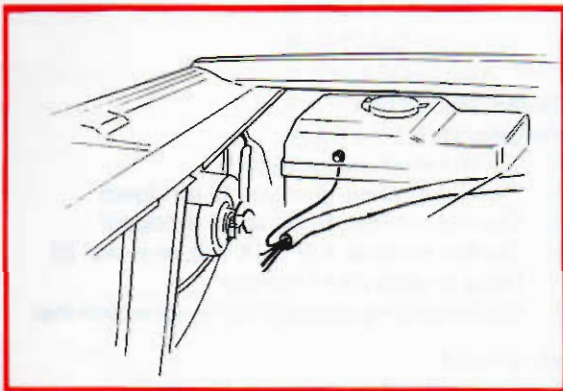
Ground connections

Shown below and on the following pages are the main ground connections and the components which they ground.



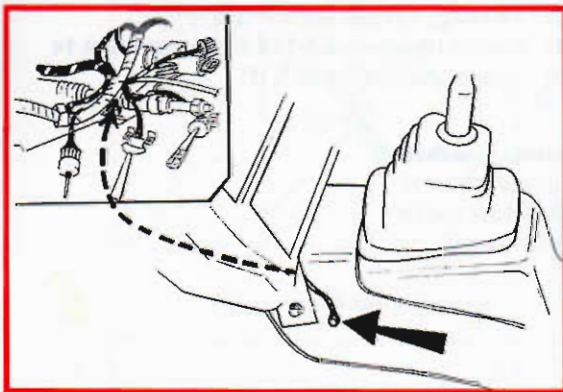
Relay panel on left side of engine compartment

- Left side high/low beam
- Left turn signal
- Left parking light
- Windshield wiper motor



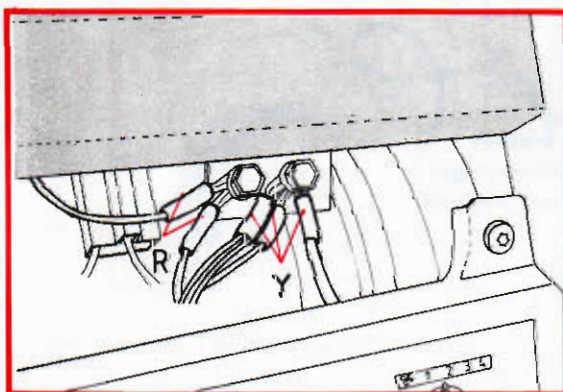
Wheel housing, front right

- Right high/low beam
- Right turn signal
- Right parking light
- Headlight wiper



Centre console, gear lever console (left side)

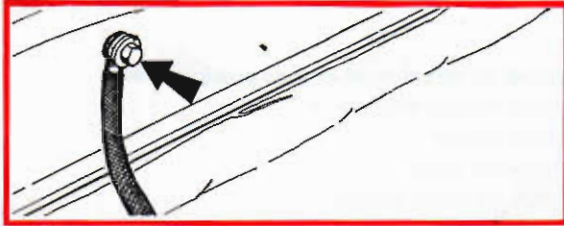
- Headlight relay
- Indicator light, rear fog lights
- Bulb failure sensor
- Instrument light
- Windshield wiper, interval relay
- Flasher relay
- Tailgate wiper switch
- Heated rear window relay, USA
- Seat belt reminder control module, USA
- Heated seats
- Steering column:
 - Control panel light
 - Cigar lighter
 - Horn



- Relay, air conditioning unit (yellow socket)
- Relay, power windows (yellow socket)
- Switch, power windows (yellow socket)
- Relay, overdrive (red socket)
- Relay, central locking system (red socket)
- Heater fan, CU heater
- Power door mirrors

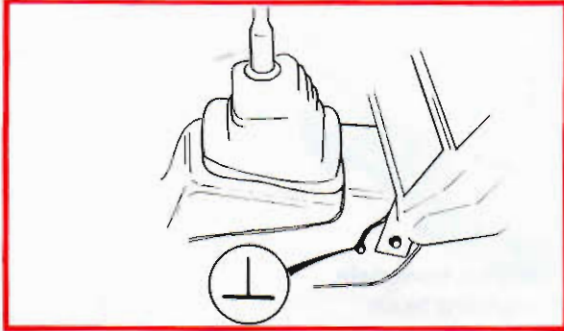
142025-K

Ground connections



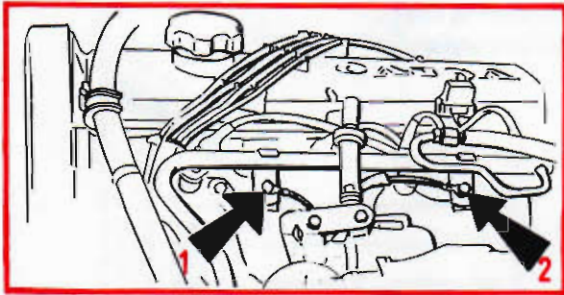
Bulkhead, engine compartment

- Radio suppressors



Centre console beside gear lever (right)

- Speedometer
- Speedometer sensor



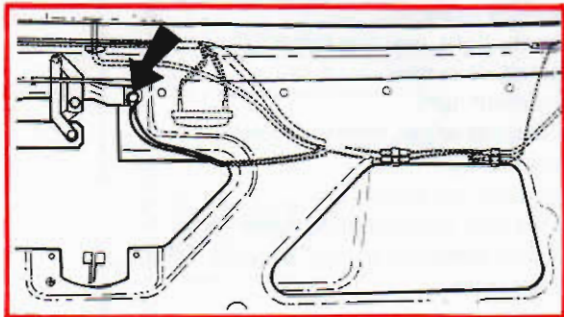
B 230 F LH-Jetronic 2.4 MFI

● 1 Signal ground

- (214) Control module, terminal 5
- (214) Control module, terminal 19 (bridged)
- (214) Control module, terminal 29 (bridged)
- (211) Control module, EZ-116 K (DI), terminal 20
- (215) Mass air flow (MAF) sensor
- (131) On-board diagnostic (OBD) system terminal

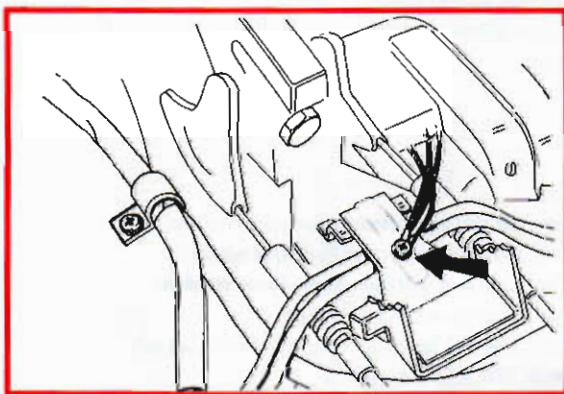
● Power ground

- (214) Control module, terminal 17
- (218) Idle/max load switch
- (162) Heating, oxygen sensor (HO2S)
- (211) Control module, EZ-116 K (DI), terminal 14
- (216) Power stage, EZ-116 K D1



5-door (estate) models

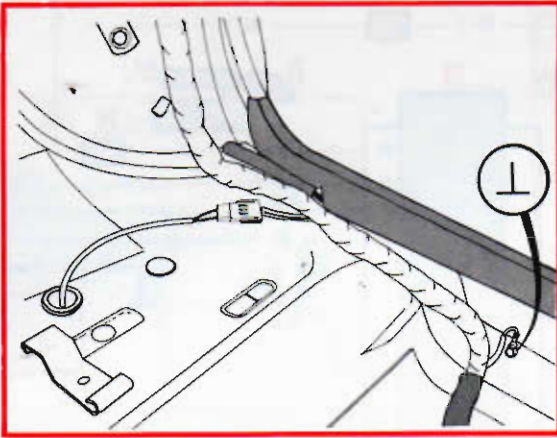
- Heated rear window
- Tailgate wiper motor
- Extra brake light



Belt lock bracket

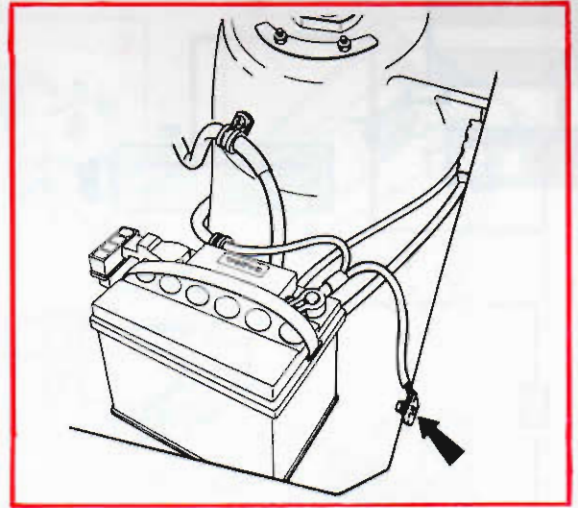
- Rear ashtray light
- Seat belt lock light

Ground connections



Behind LH B-post

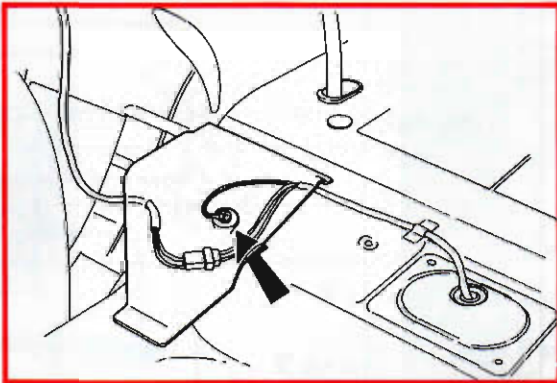
- Fuel pump
- Extra brake light, 4-door
- Power antenna, 4-door
- Tailgate wiper interval relay



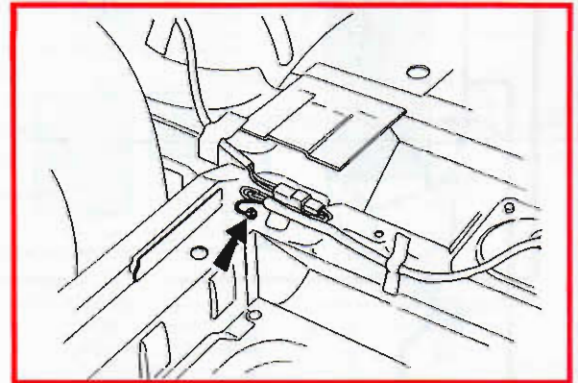
Left wheel housing

- Battery
- ABS braking system

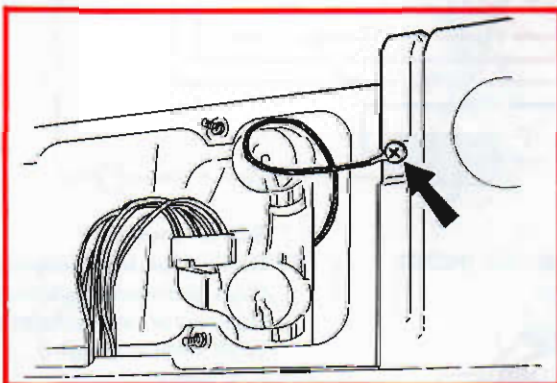
Ground connections in boot/trunk



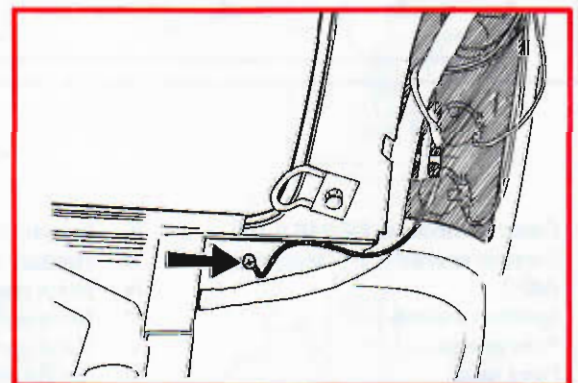
Tank pump, 4-door models



Tank pump, 5-door models

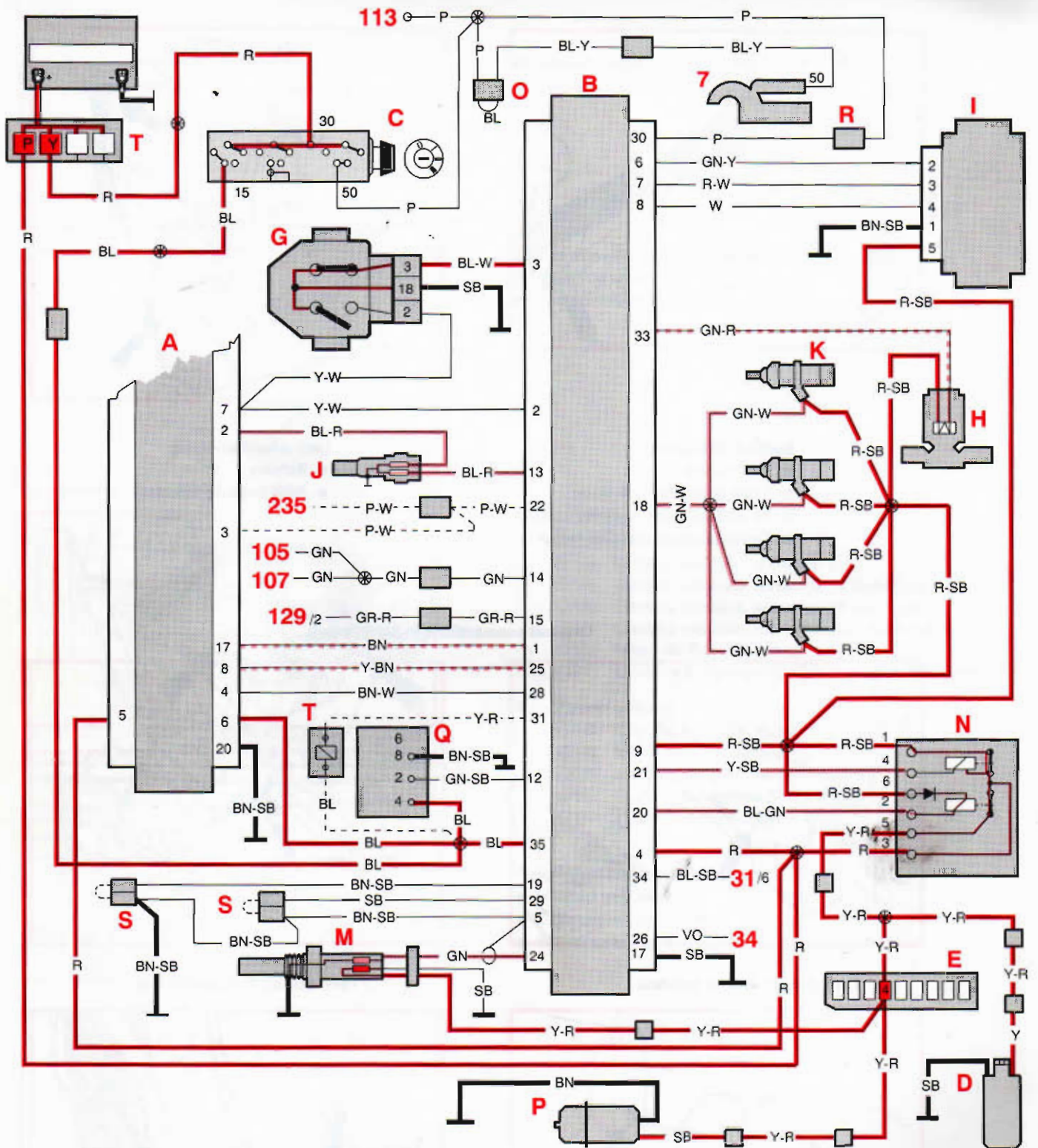


Tail lights, 4-door models



Tail lights, 5-door models

LH-Jetronic 2.4 MFI fuel injection system

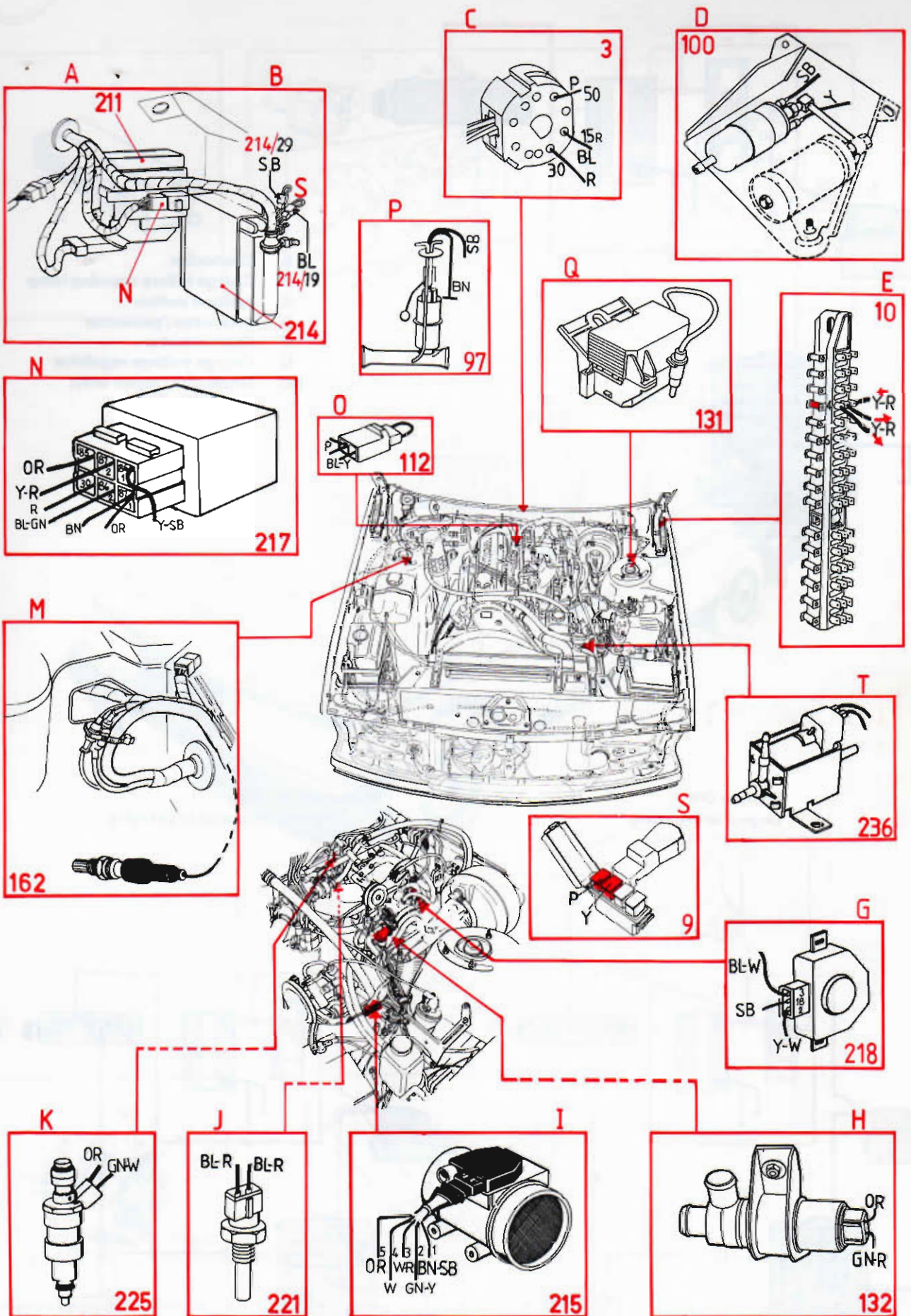


- A** Control module, EZ-116 K (DI)
- B** Control module, LH-Jetronic 2.4 (MFI)
- C** Ignition switch
- D** Fuel pump
- E** Fuse box
- G** Throttle switch
- H** IAC (idle air control) valve
- I** Mass air flow (MAF) sensor
- J** Temperature sensor

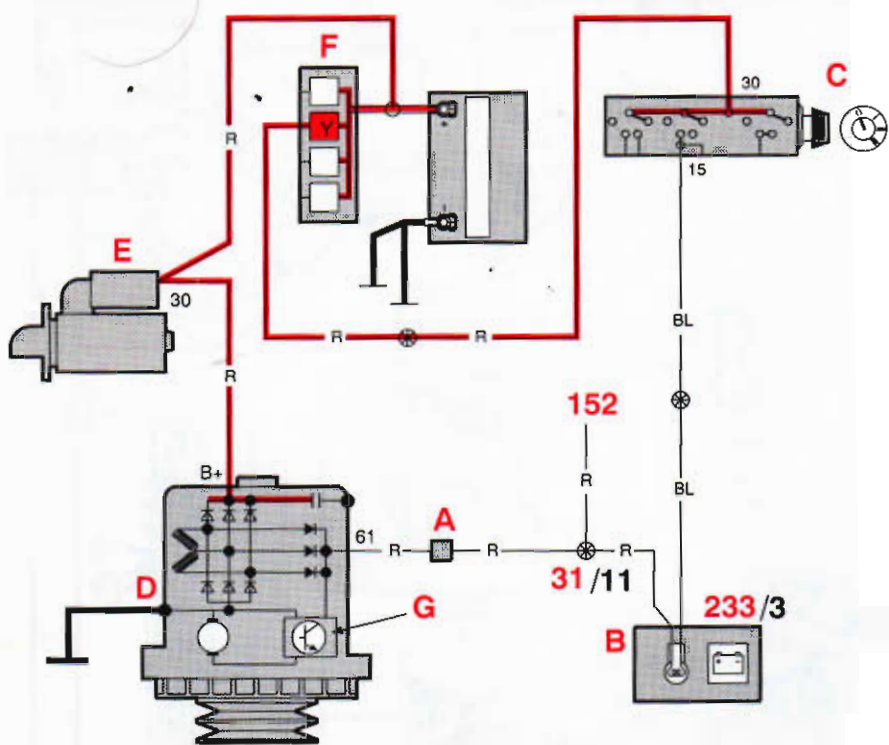
- K** Injectors
- M** Heated oxygen sensor (H02S)
- N** Main relay
- O** Connector
- P** Tank pump
- Q** On-board diag. (OBD)
- R** Data link connector (DLC)
- S** Bridge connector
- T** Fuseholder B+

- 7** Starter motor
- 31** Connector, instrument panel (Signal from speedometer)
- 34** Connector, instrument panel (shift indicator light)
- 129** A/C Relay
- 223** Pressure monitor, A/C drier
- 235** Connector, instrument panel (OBD lamp)

LH-Jetronic 2.4 MFI fuel injection system



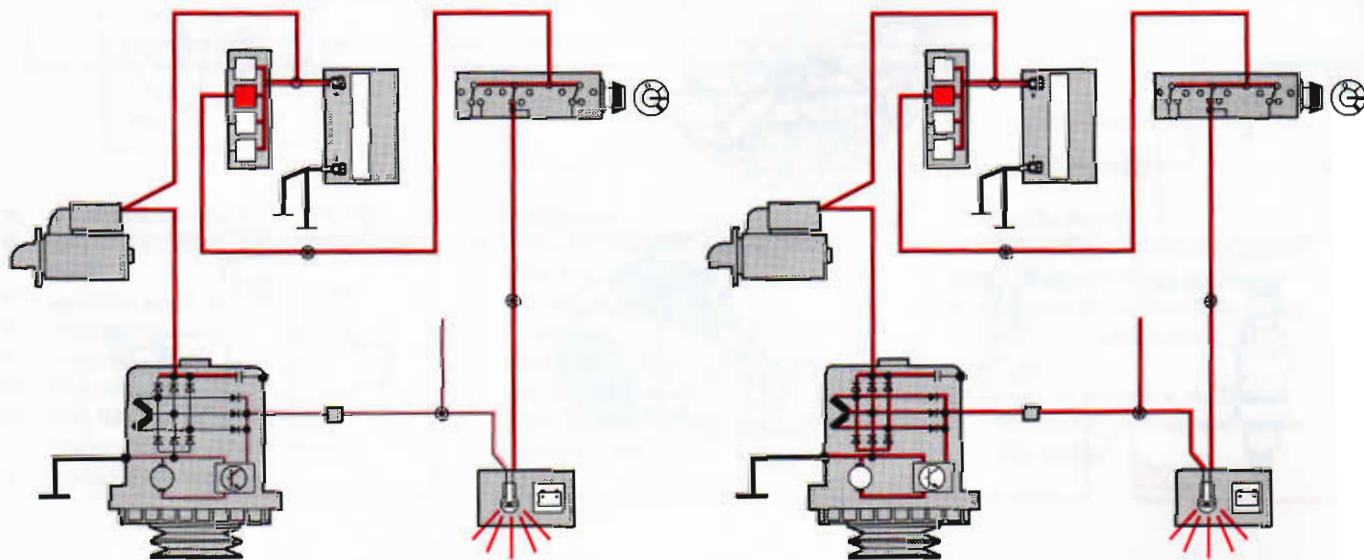
Charging system



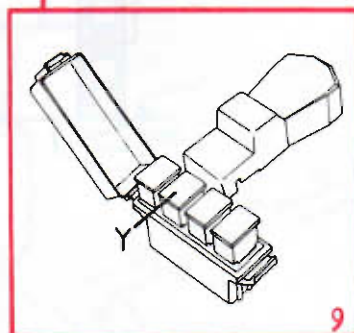
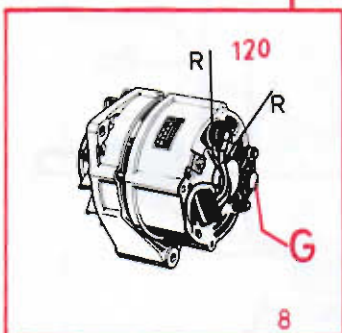
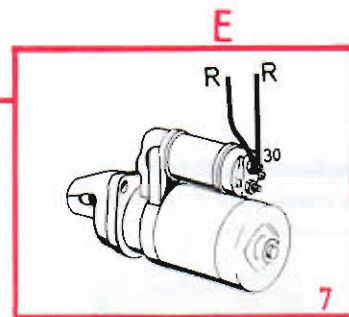
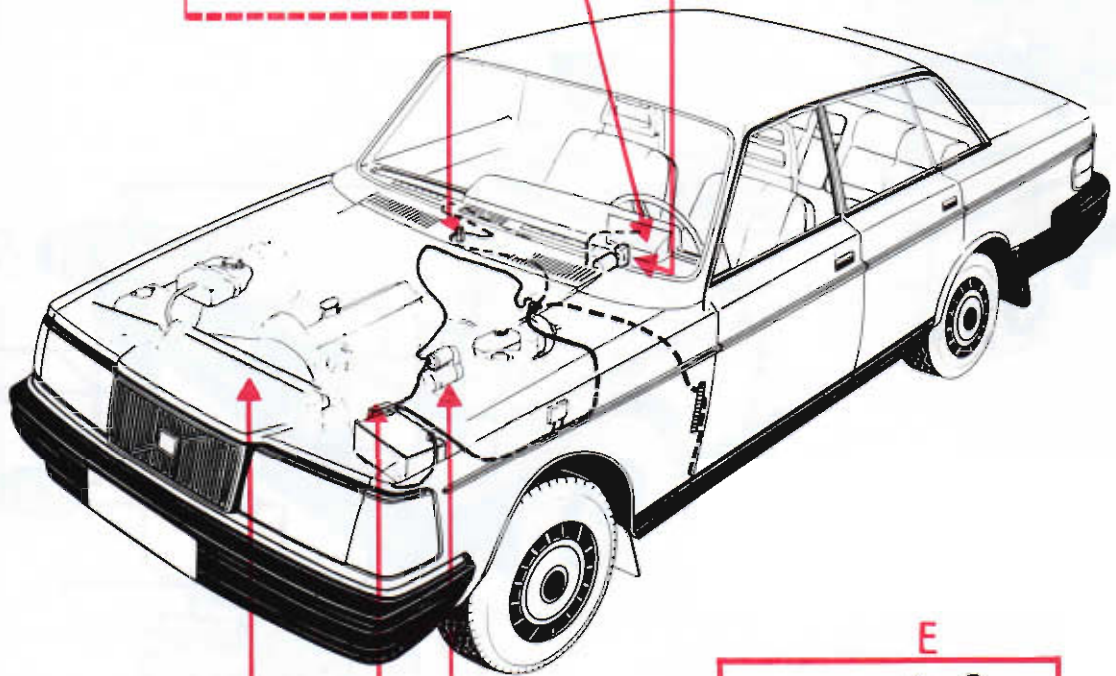
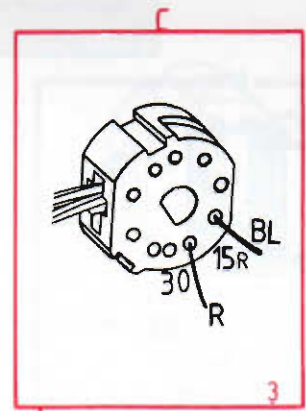
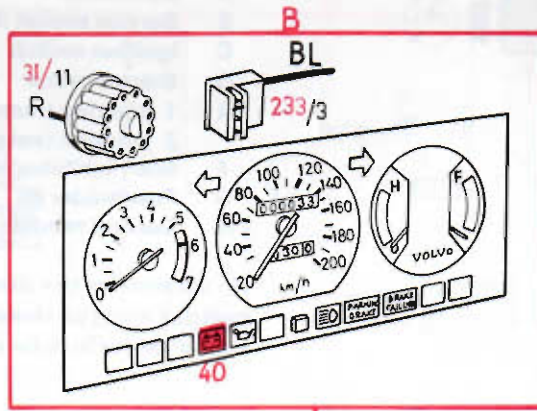
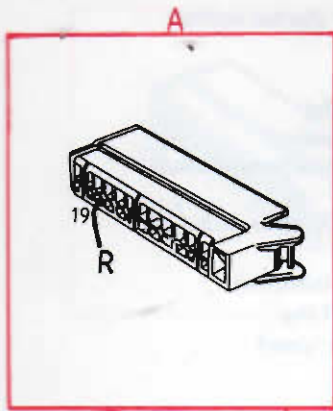
- A** Connector
- B** Charge failure warning lamp
- C** Ignition switch
- D** Alternator/generator
- E** Starter motor
- G** Charge voltage regulator
- 152** Diode box (Japan only)

**Ignition ON
Engine not running**

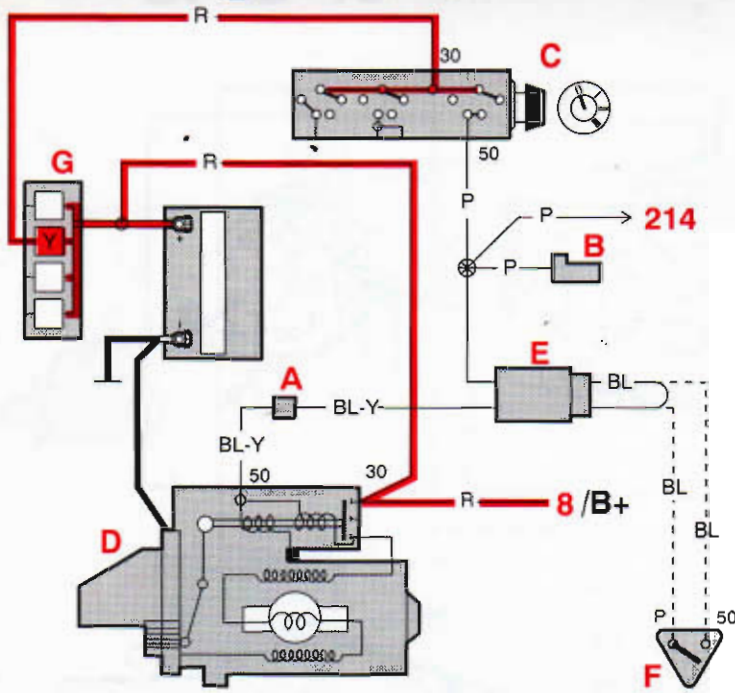
**Engine running
Alternator/generator charging**



Charging system

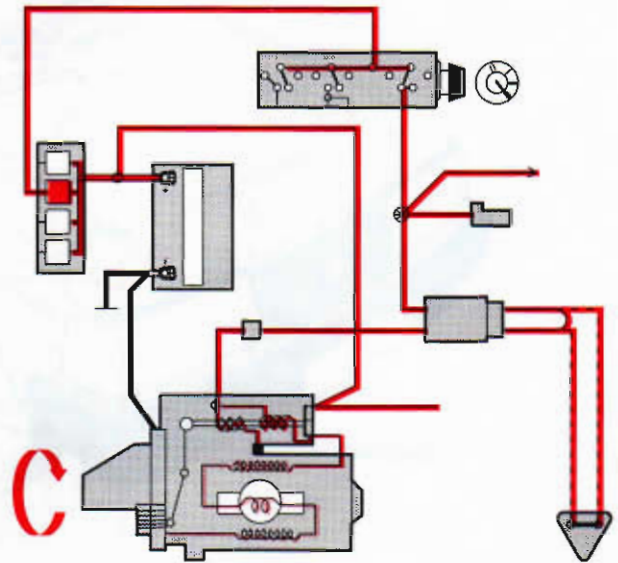


Starting circuit

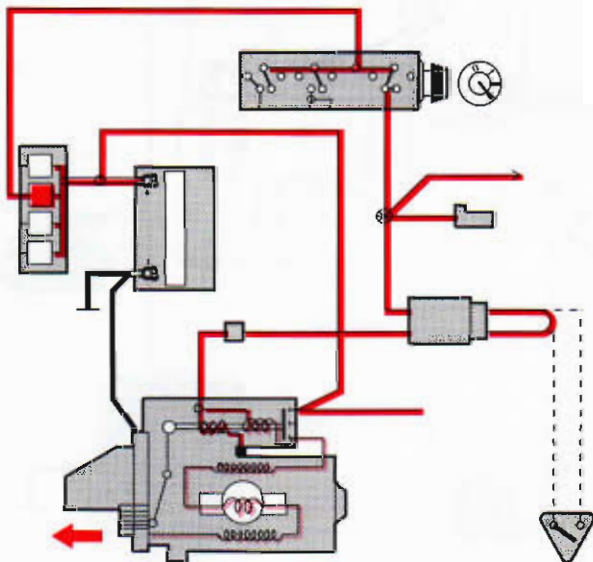


- A** Connector
- B** Service socket (for starter motor)
- C** Ignition switch
- D** Starter motor
- E** 1 junction (manuals)
2 junction (automatics)
- F** Start inhibitor switch (automatics)
- G** Fuseholder B+
- 214** Control module, LH-Jetronic 2.4 MFI

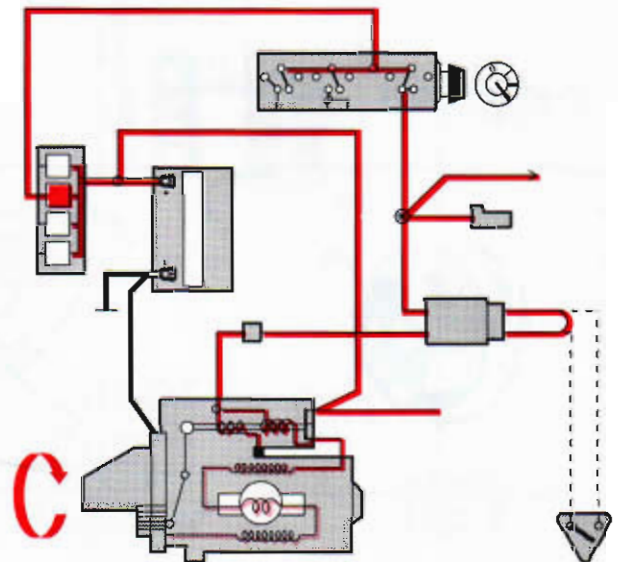
On automatics the start inhibitor switch F must be closed if the starter motor is to be energized.



Control solenoid pushes starter pinion to mesh with ring gear

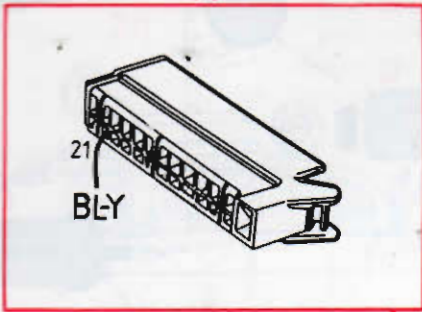


Starter pinion in mesh, contacts closed and starter motor operates

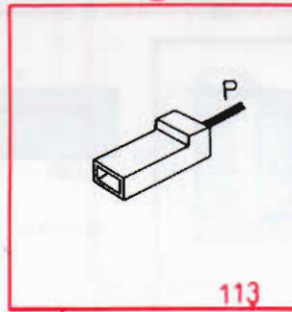


Starting circuit

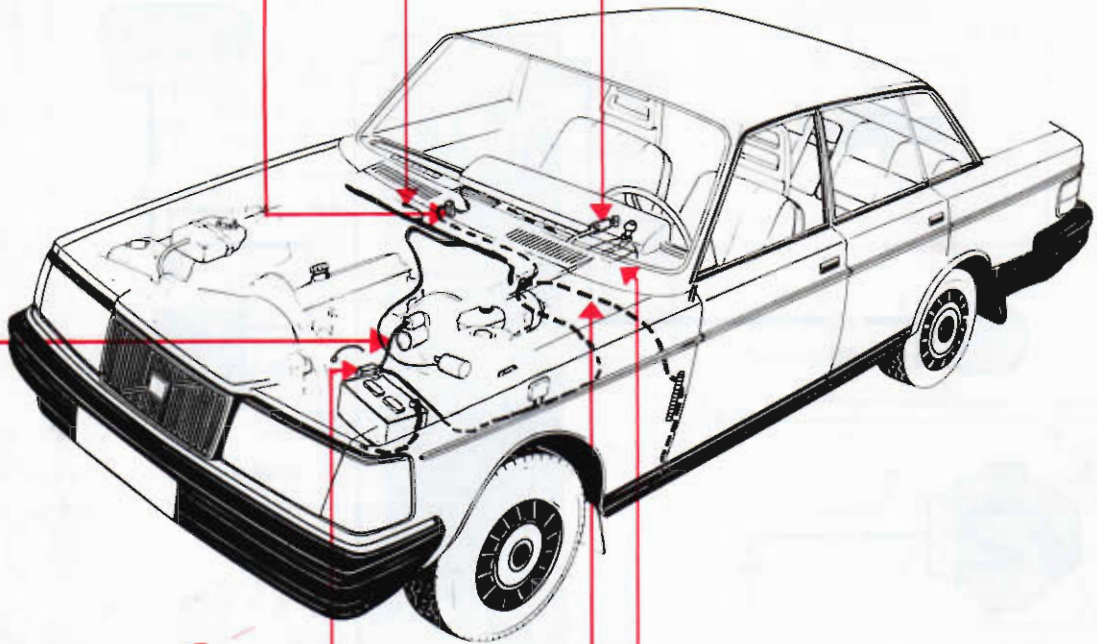
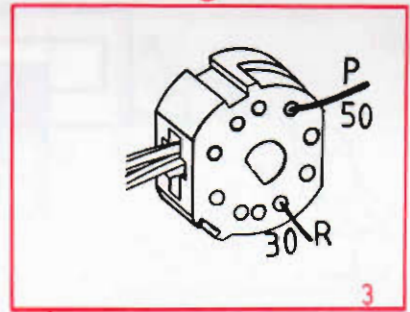
A



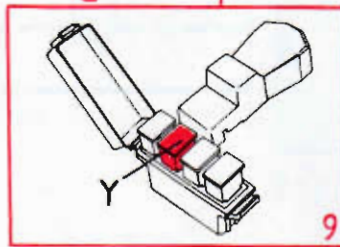
B



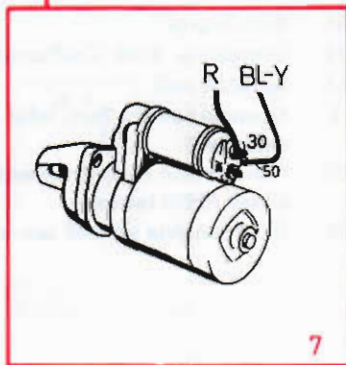
C



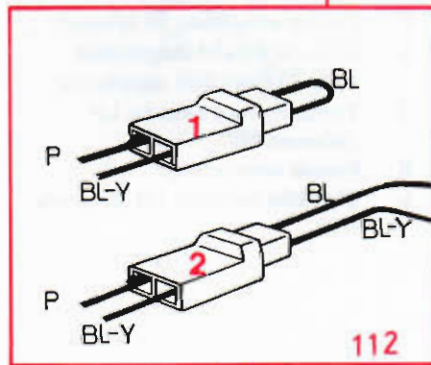
G



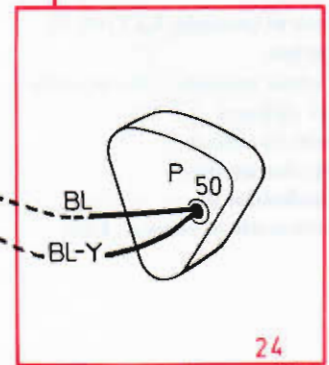
D



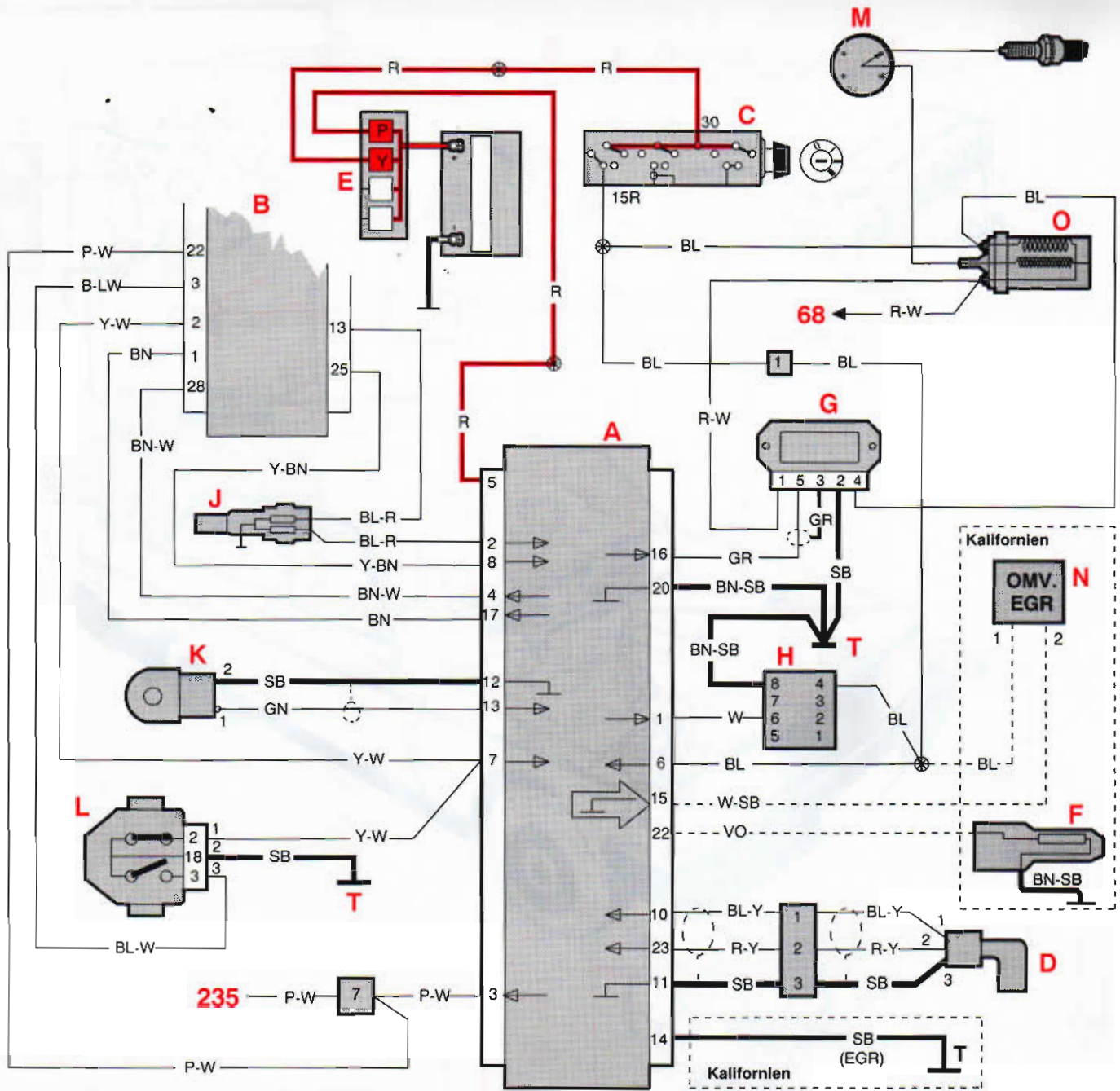
E



F



Ignition system EZ-116 K (DI)

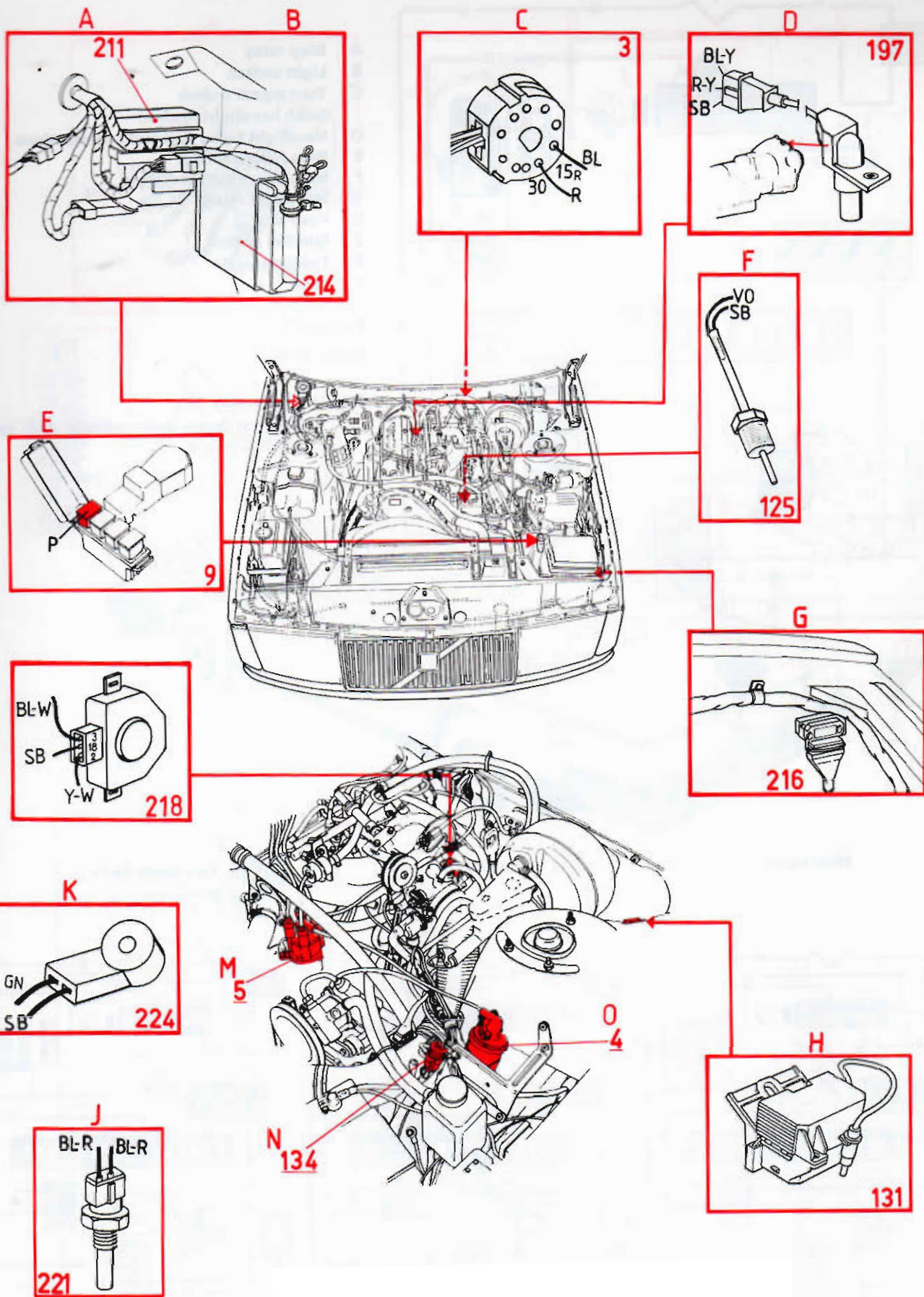


- A** Control module, EZ116K DI system
- B** Control module, LH-Jetronic MFI system
- C** Ignition switch
- D** Impulse sensor
- E** Fuseholder B+
- F** Temperature sensor, EGR

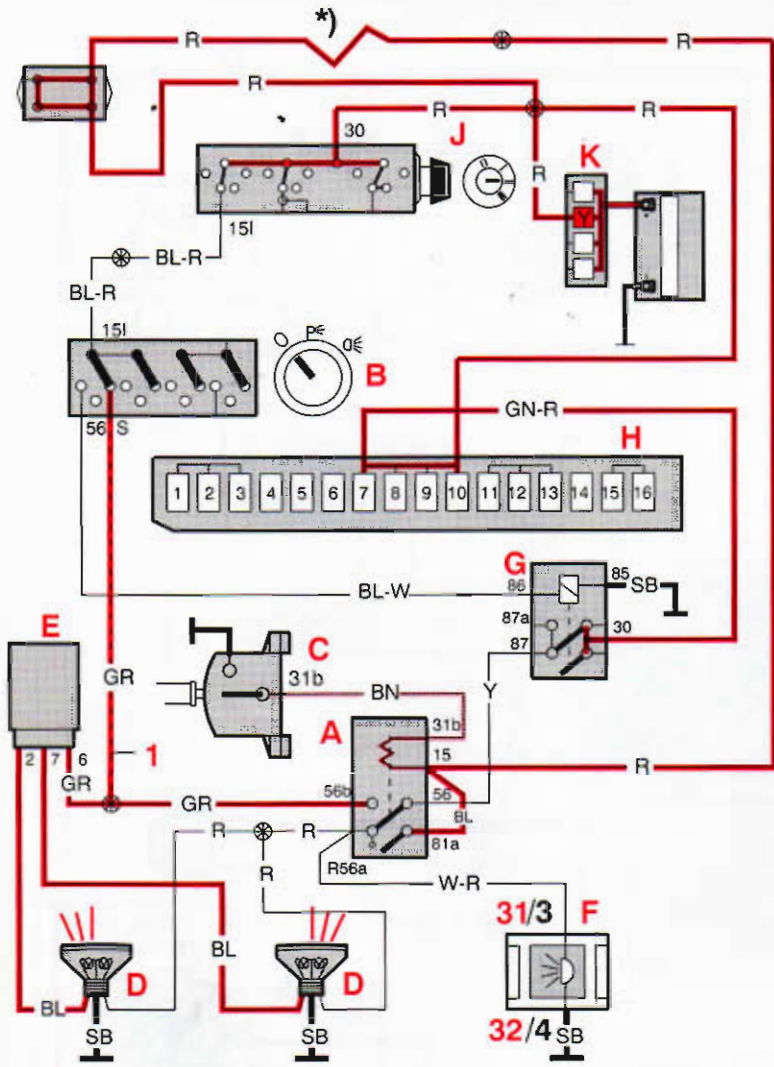
- G** Power amplifier, DI system
- H** OBD on-board diagnostic system data link connector
- J** Temperature sensor, LH Jetronic MFI
- K** Knock sensor (KS)
- L** Throttle contact, LH-Jetronic MFI

- M** Distributor
- N** Converter, EGR (California)
- O** Ignition coil
- T** Ground connection, inlet manifold
- 235** Connection to instrument panel (OBD lamp)
- 68** RPM (engine speed) sensor

Ignition system EZ-116 K (DI)



High/low beams



- A** Step relay
- B** Light switch
- C** Turn signal switch (with headlight flasher)
- D** Headlight bulbs & ground connections
- E** Bulb failure sensor
- F** High beam indicator light
- G** Headlight relay
- H** Fuse box
- J** Ignition switch
- K** Fuseholder B+
- *** Fuse

Fuse No. 7

Brake lights

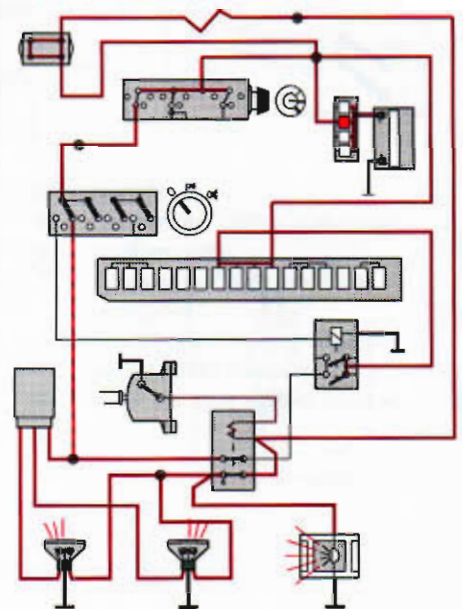
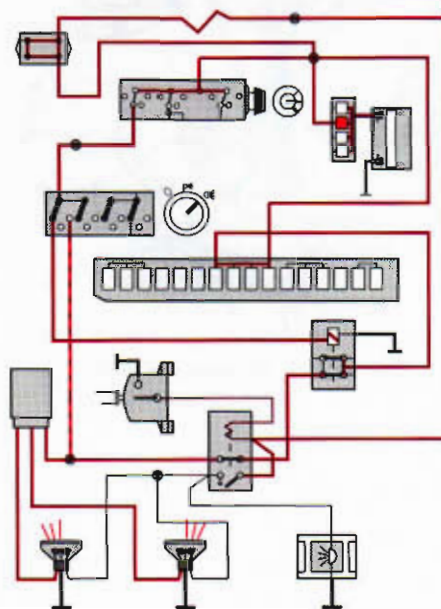
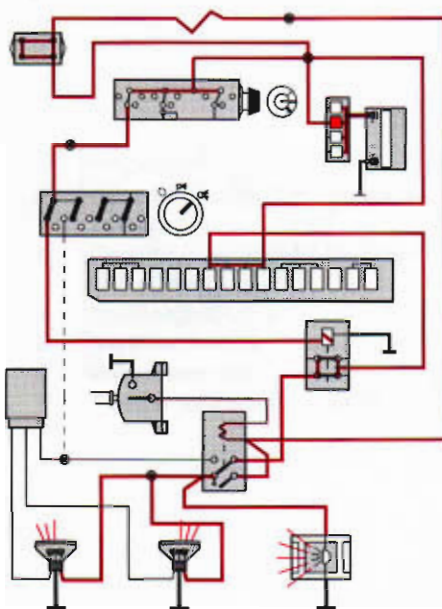
1. Sweden/Norway only:

Activates low beam automatically with ignition switch in pos. II.

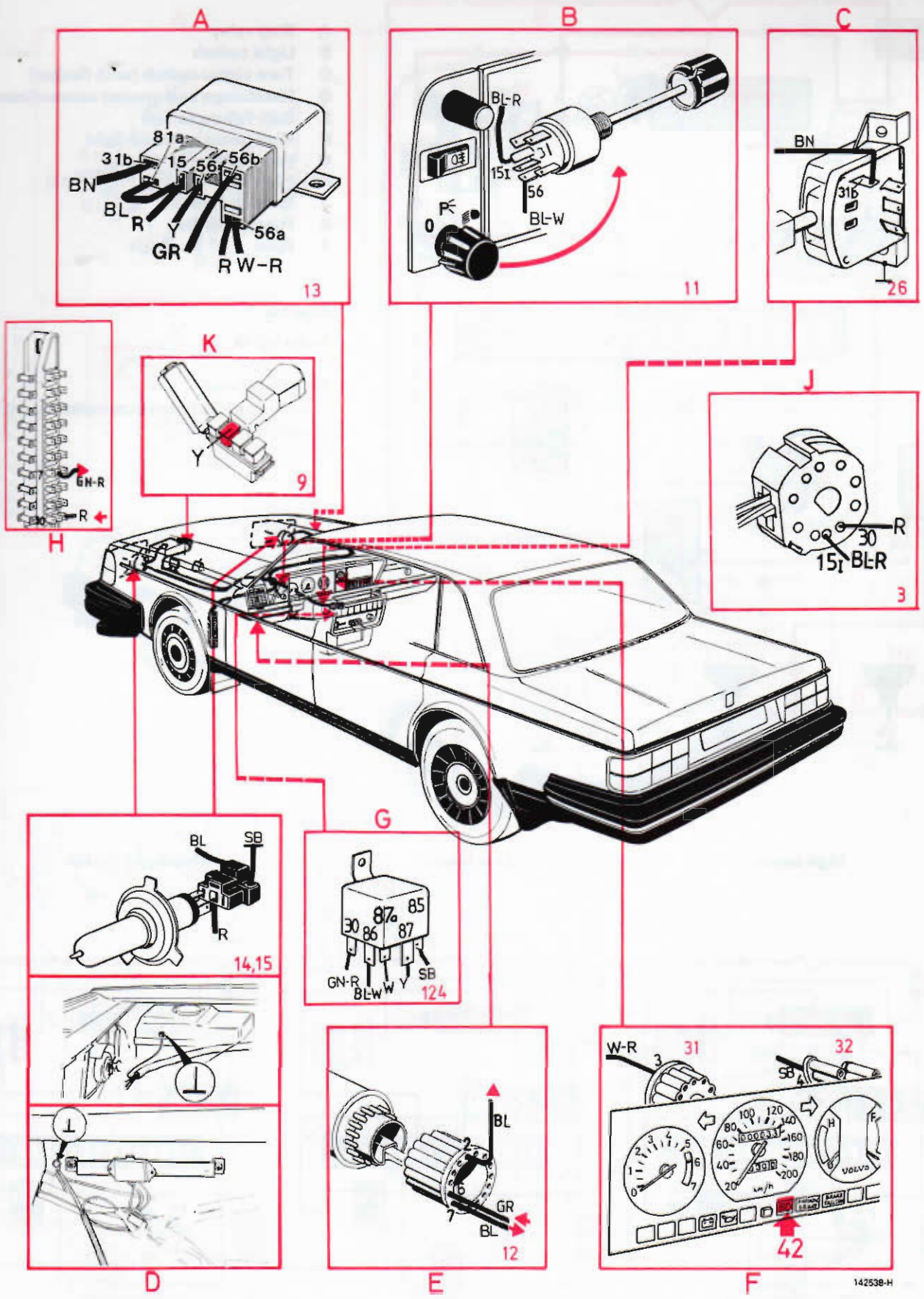
High beam

Low beam

Headlight flash

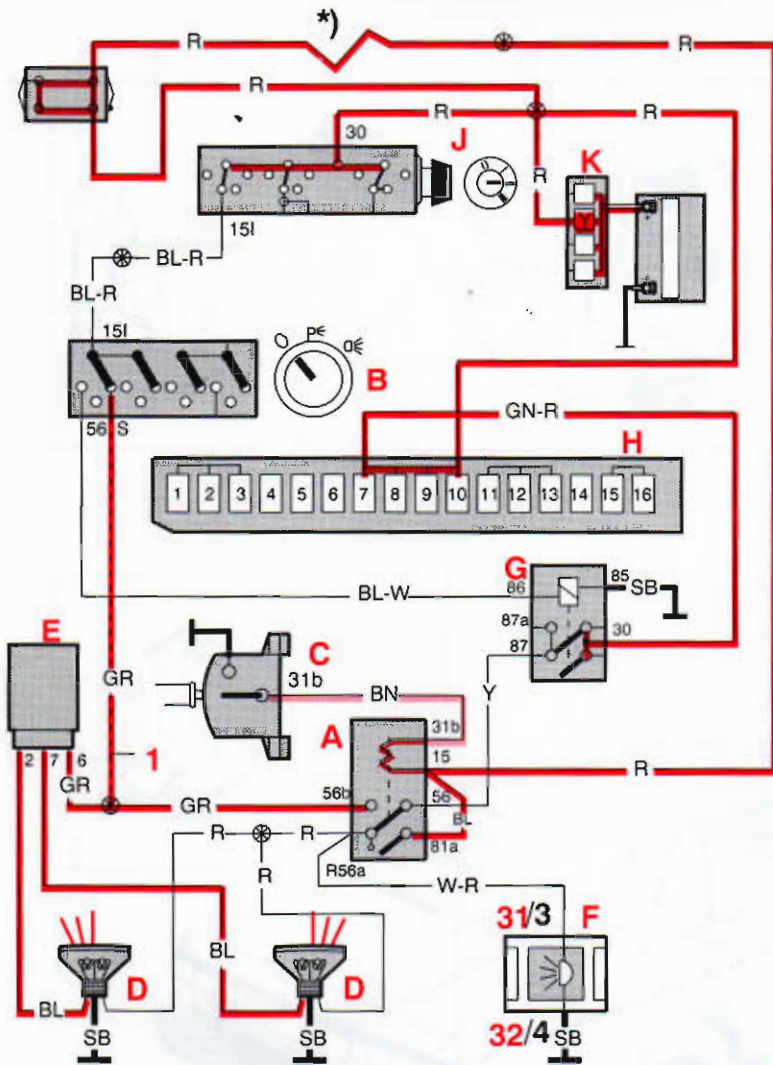


High/low beams



142538-H

High/low beams (USA/Canada)



- A Step relay
- B Light switch
- C Turn signal switch (with flasher)
- D Headlamps and ground connections
- E Bulb failure sensor
- F High beam indicator light
- G Headlight relay
- H Fuse box
- J Ignition switch
- K Fuseholder B+
- * Fuse

Fuse No. 7

Brake lights

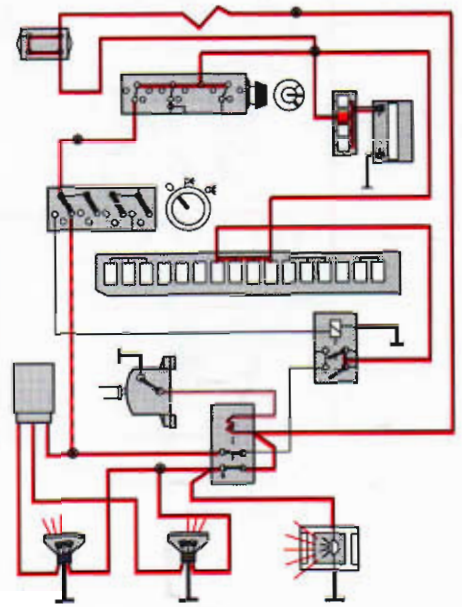
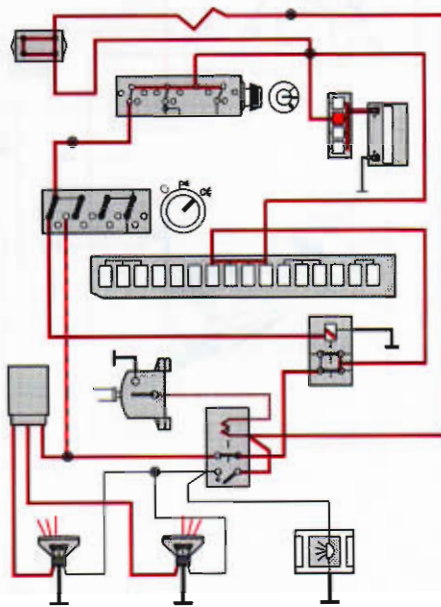
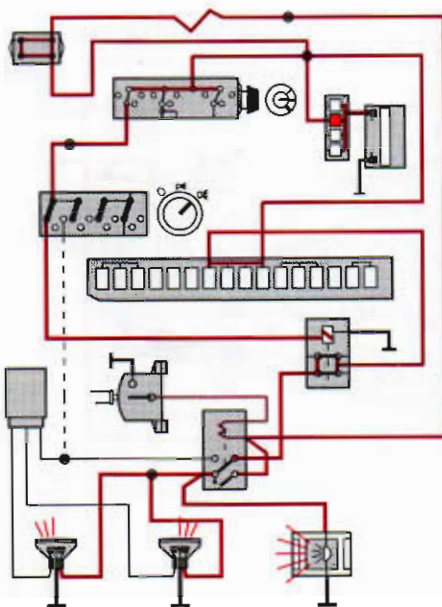
1. Canada only

Activates low beam automatically with ignition switch in pos. II.

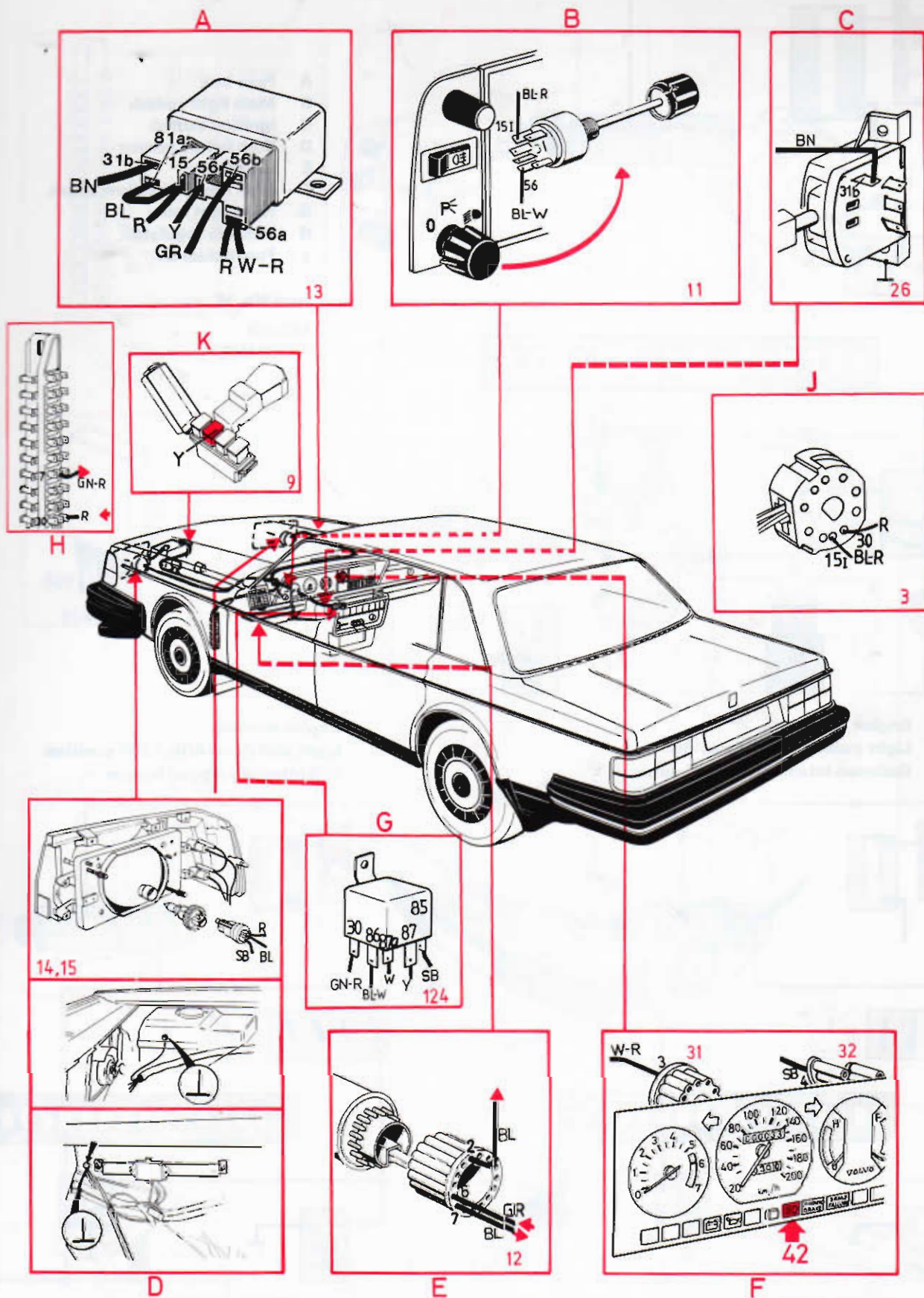
High beam

Low beam

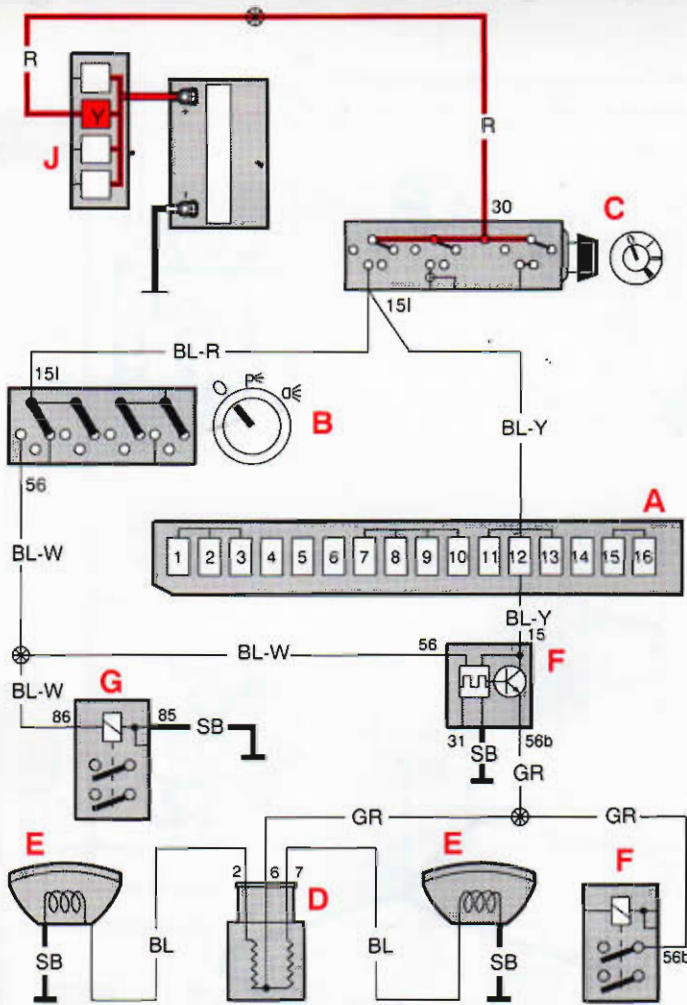
Headlight flasher



High/low beams (USA/Canada)



Reduced-intensity dipped beams (dim-dip), United Kingdom



- A Fuse box
- B Main light switch
- C Ignition switch
- D Bulb failure sensor
- E Low beam
- F Step relay, High/low beam
- G Headlight relay
- H Dim-dip regulator
- J Fuseholder B+

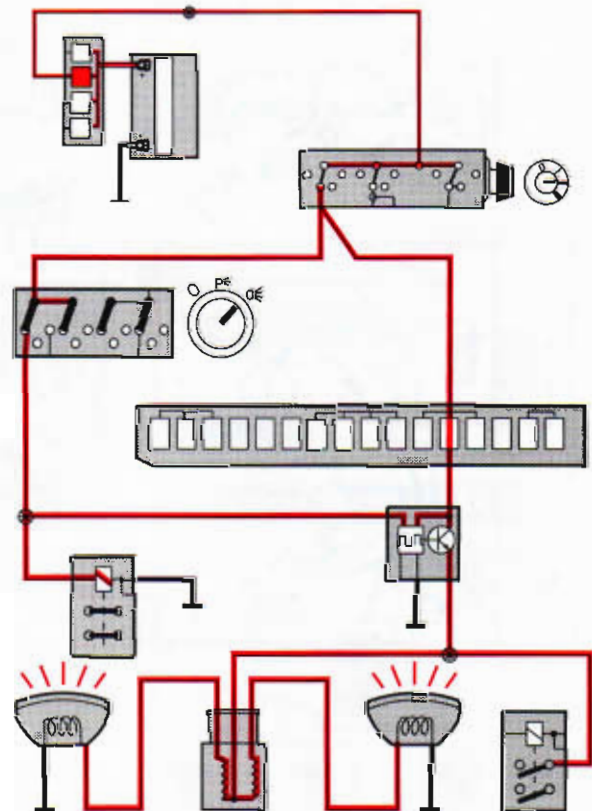
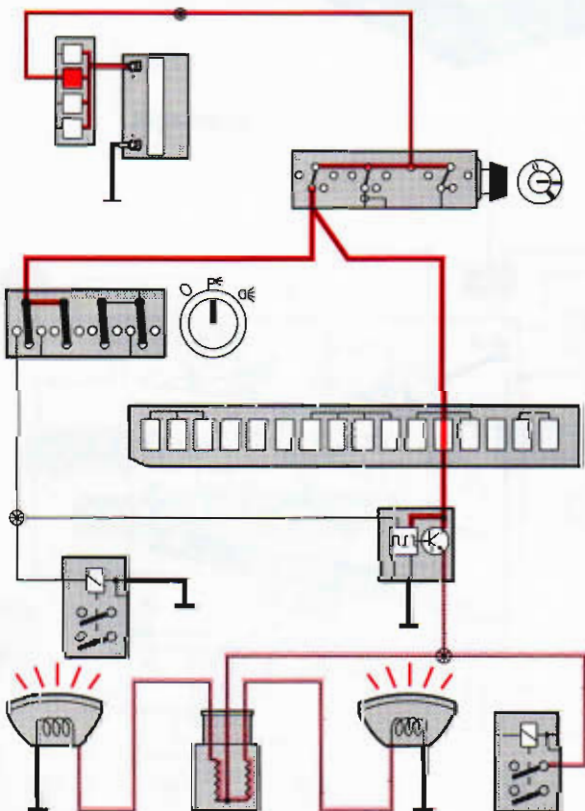
Fuse No. 12

A/C unit

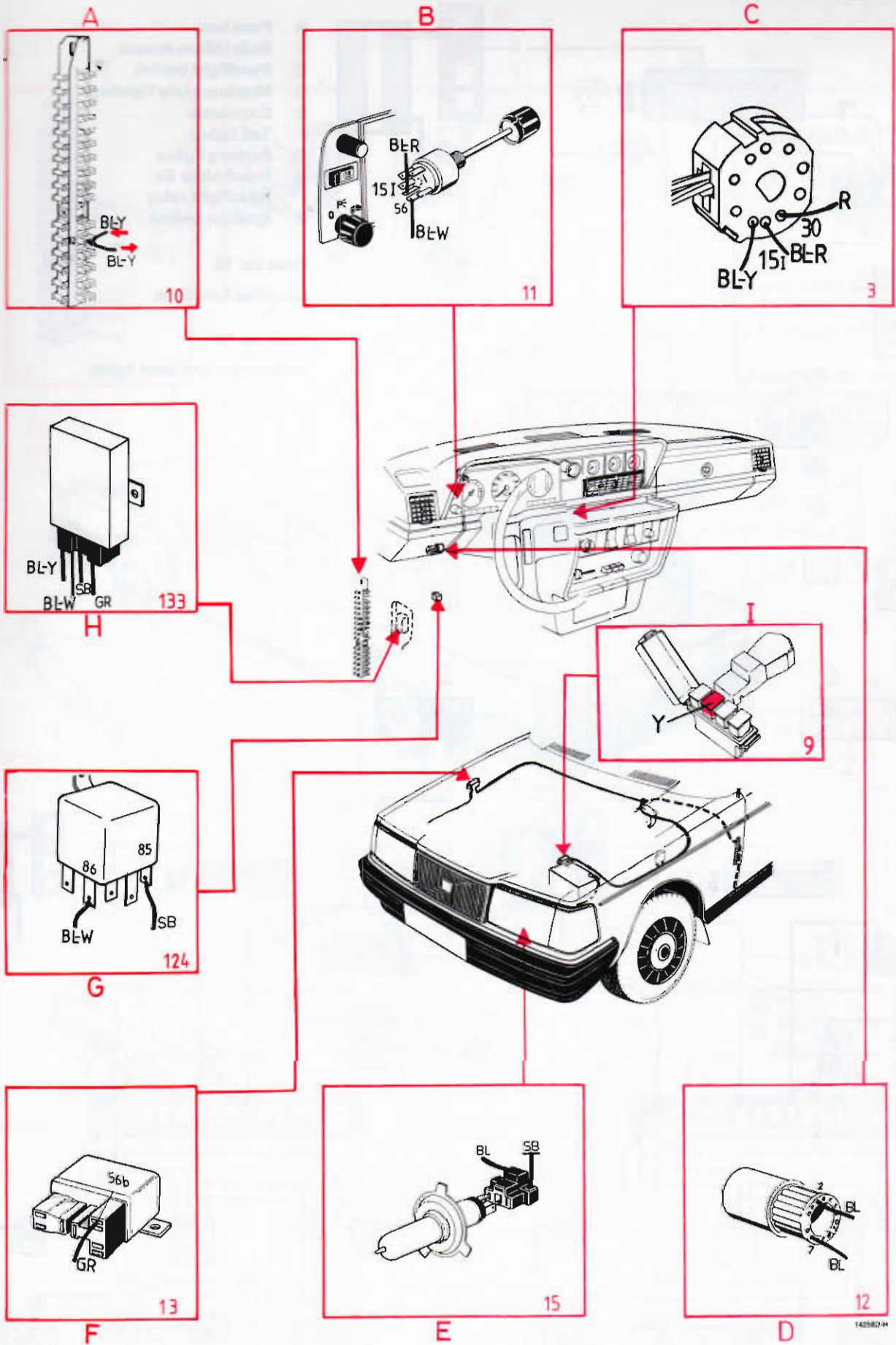
P-shift lock

**Engine running
Light switch in PARK position
Reduced-intensity dipped beams**

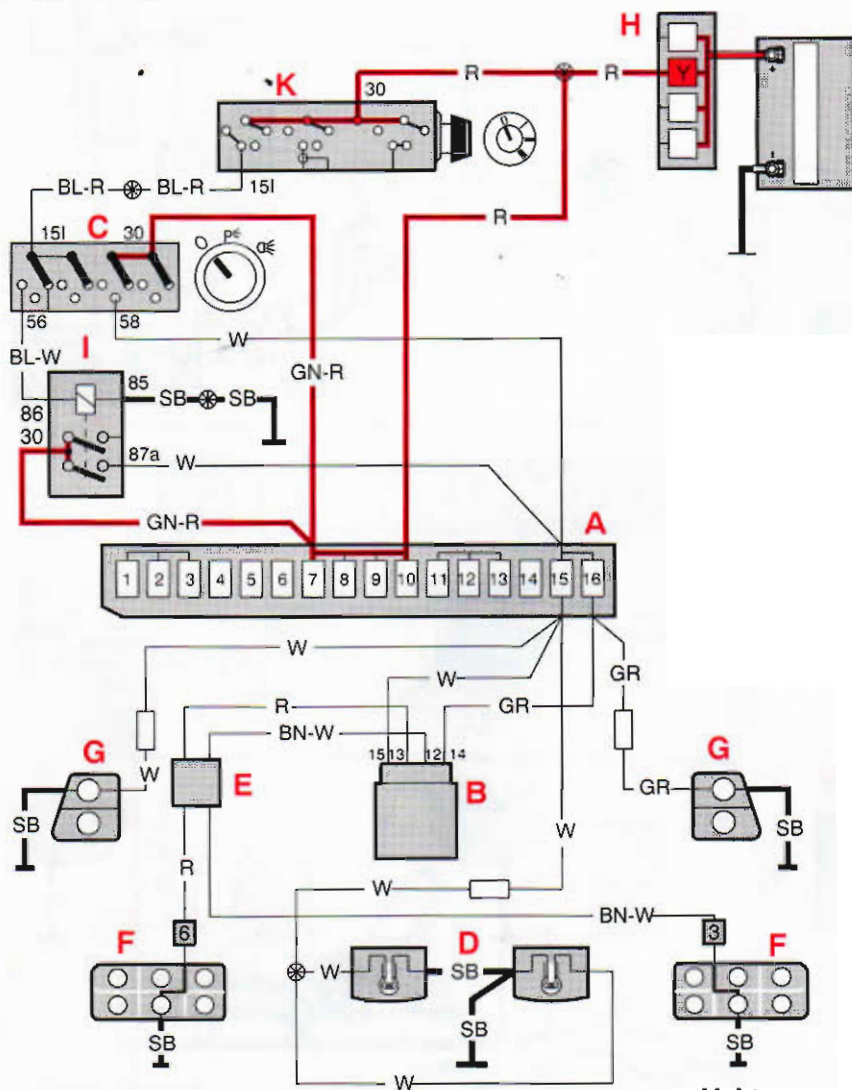
**Engine running
Light switch in HIGH/LOW position
Full-intensity dipped beams**



Reduced-intensity dipped beams (dim-dip), United Kingdom



Parking lights, tail lights and number plate lights



- A Fuse box
- B Bulb failure sensor
- C Headlight switch
- D Number plate lighting
- E Connector
- F Tail lights
- G Parking lights
- H Fuseholder B+
- I Headlight relay
- J Ignition switch

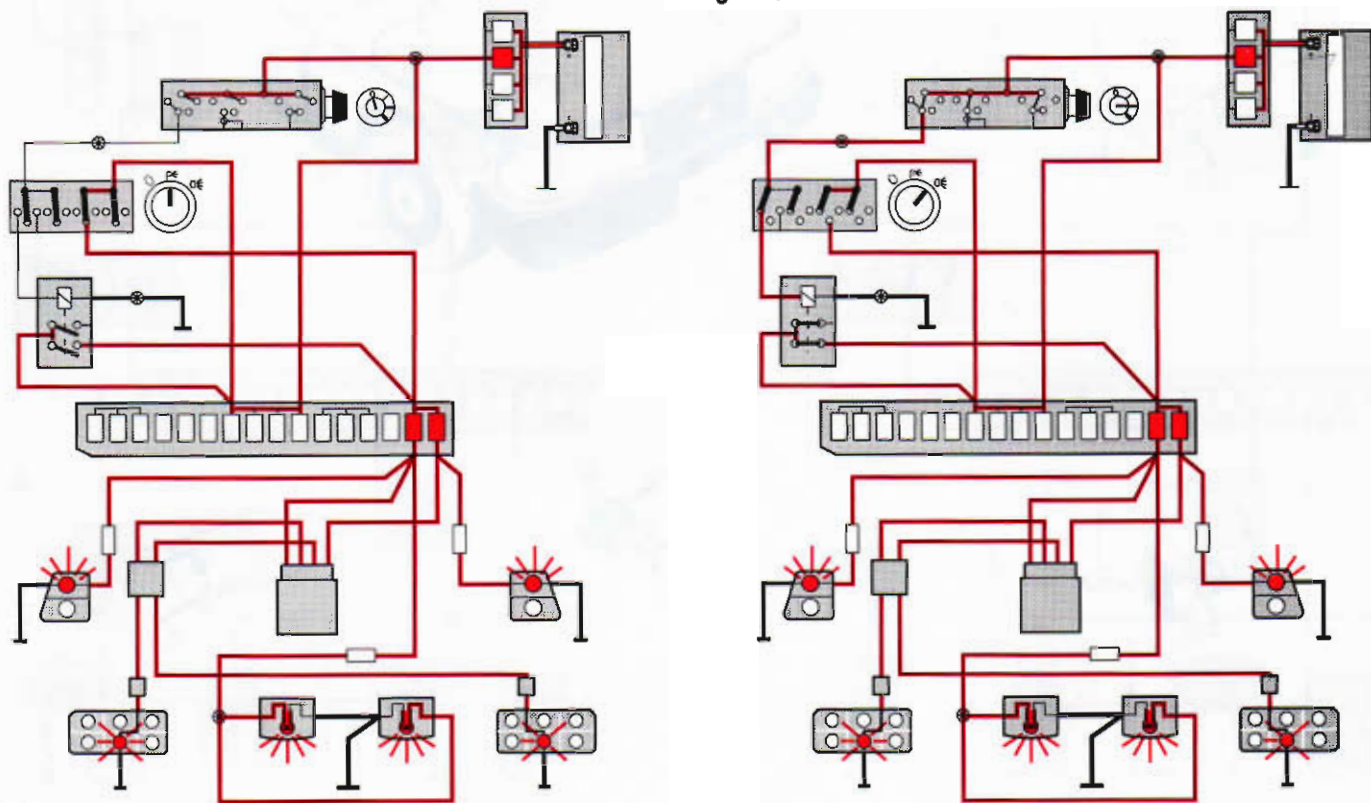
Fuse no. 15

No other functions

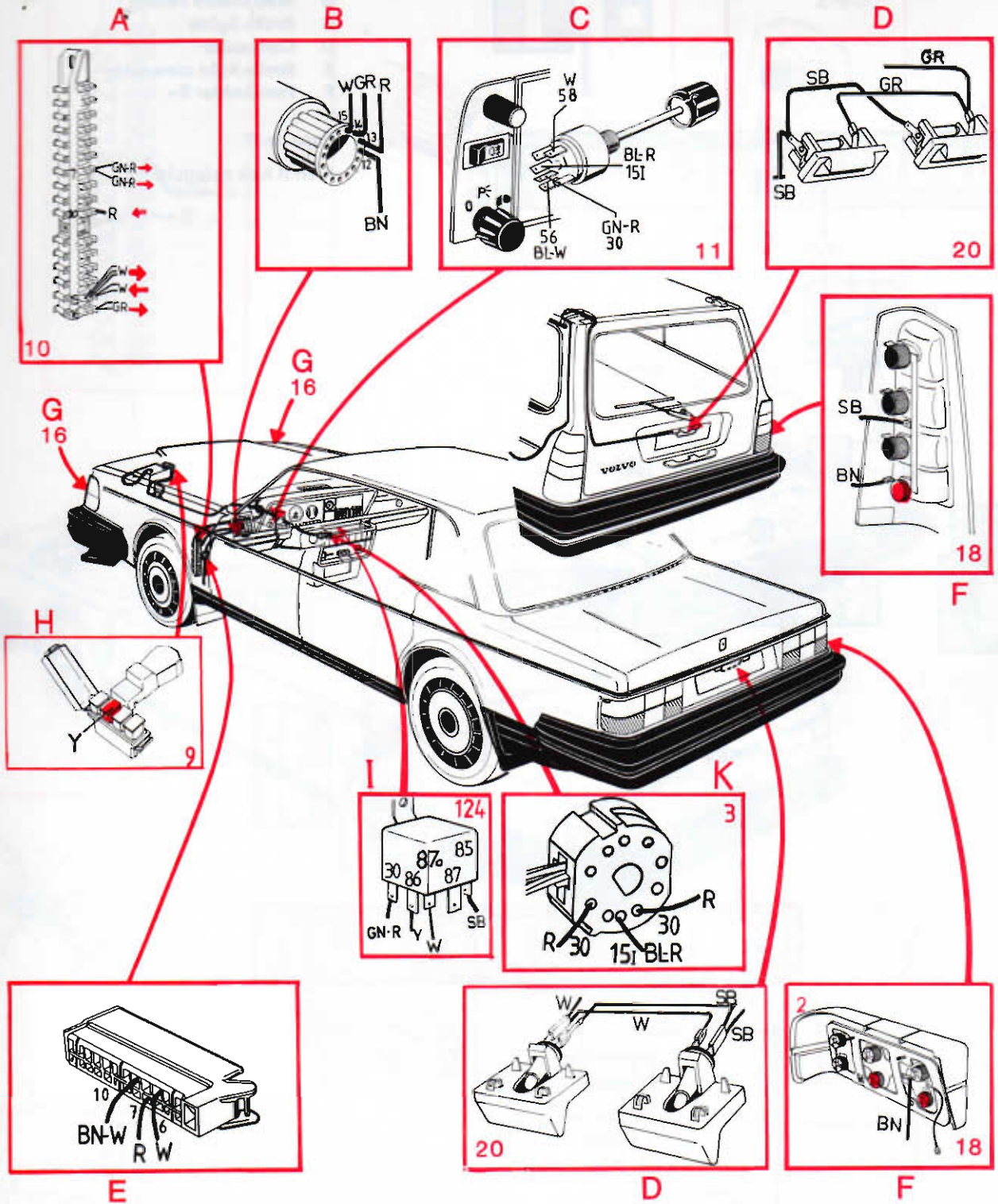
Fuse no. 16

Instrument and boot lights

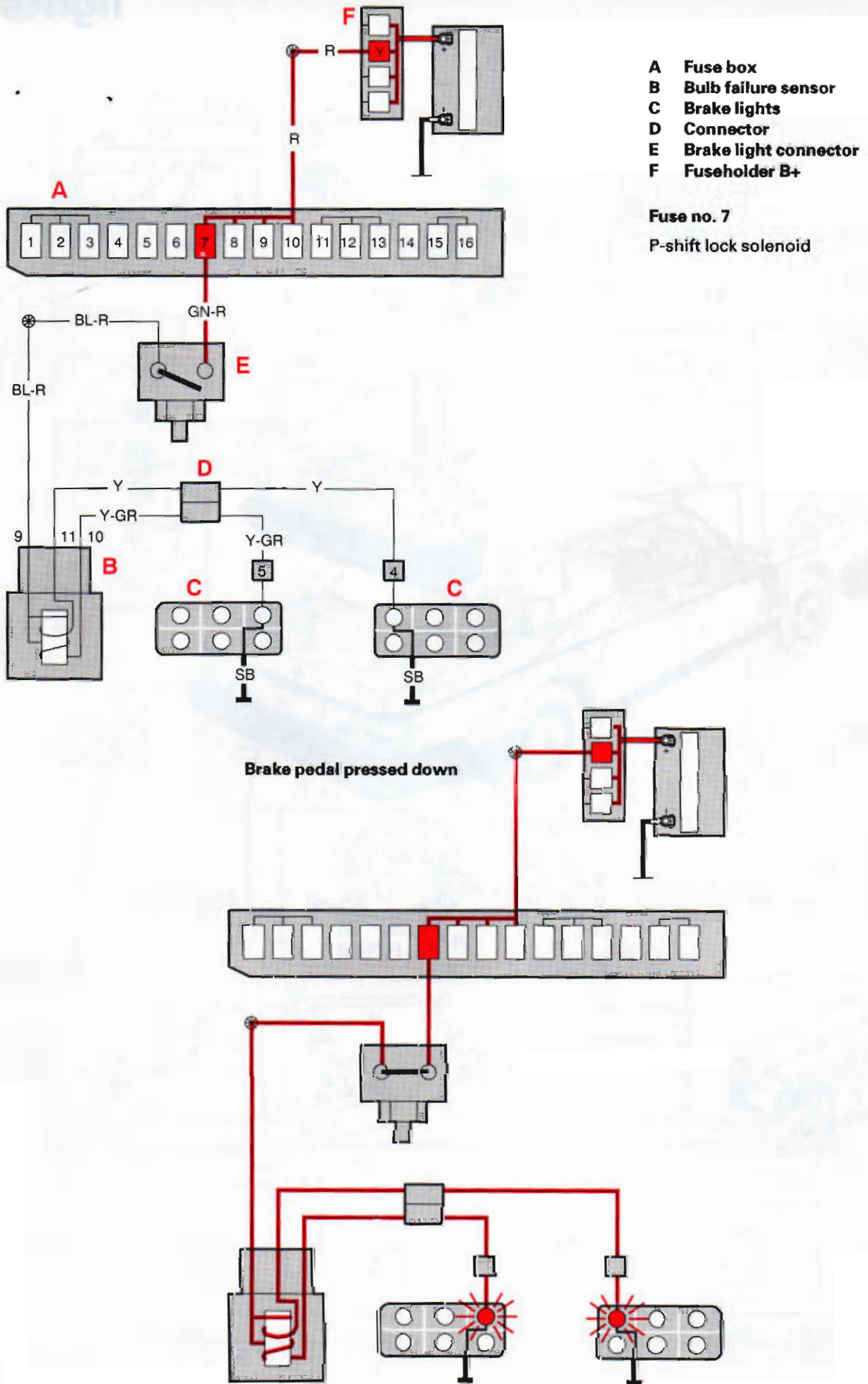
Lights on



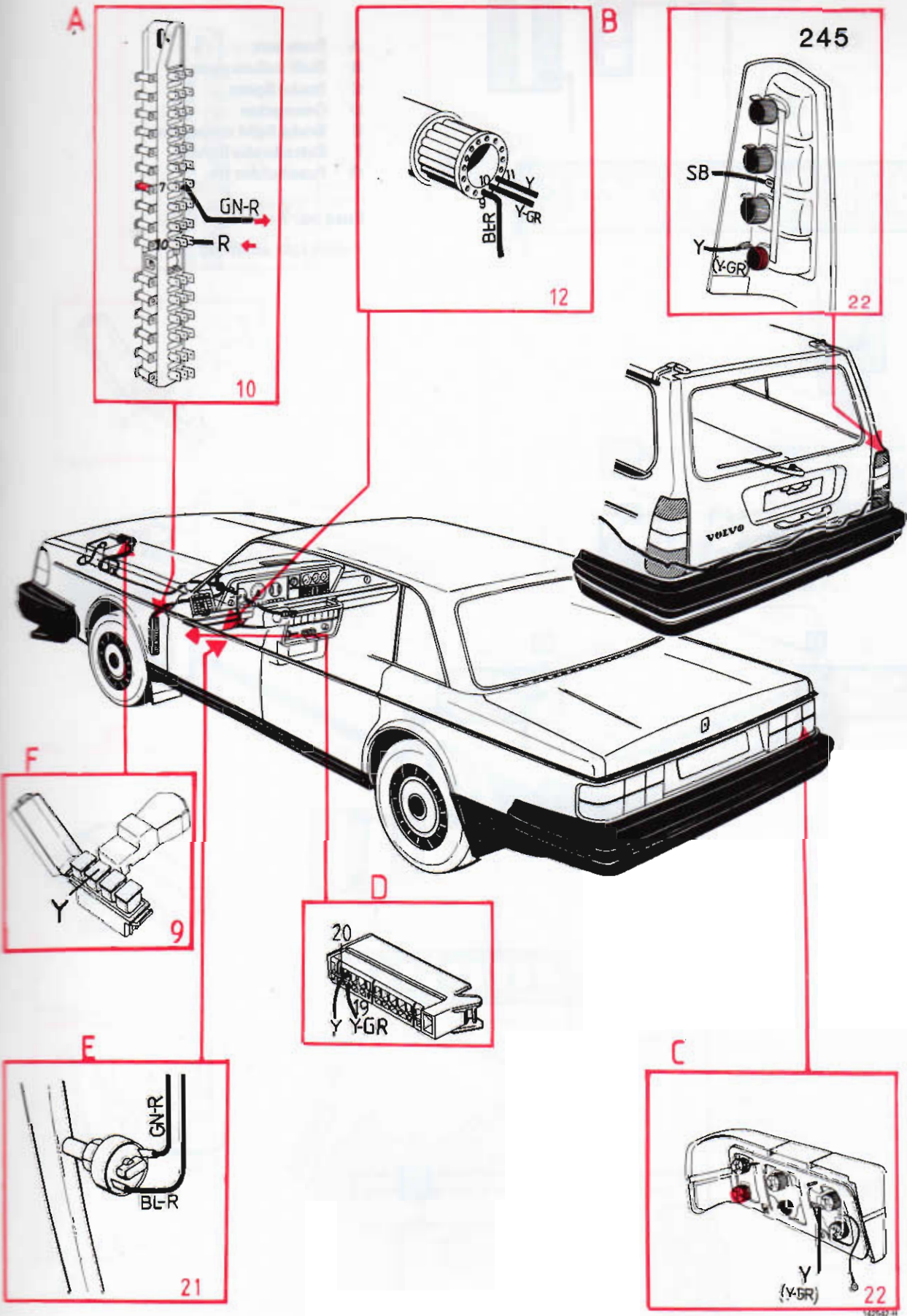
Parking lights, tail lights and number plate lights



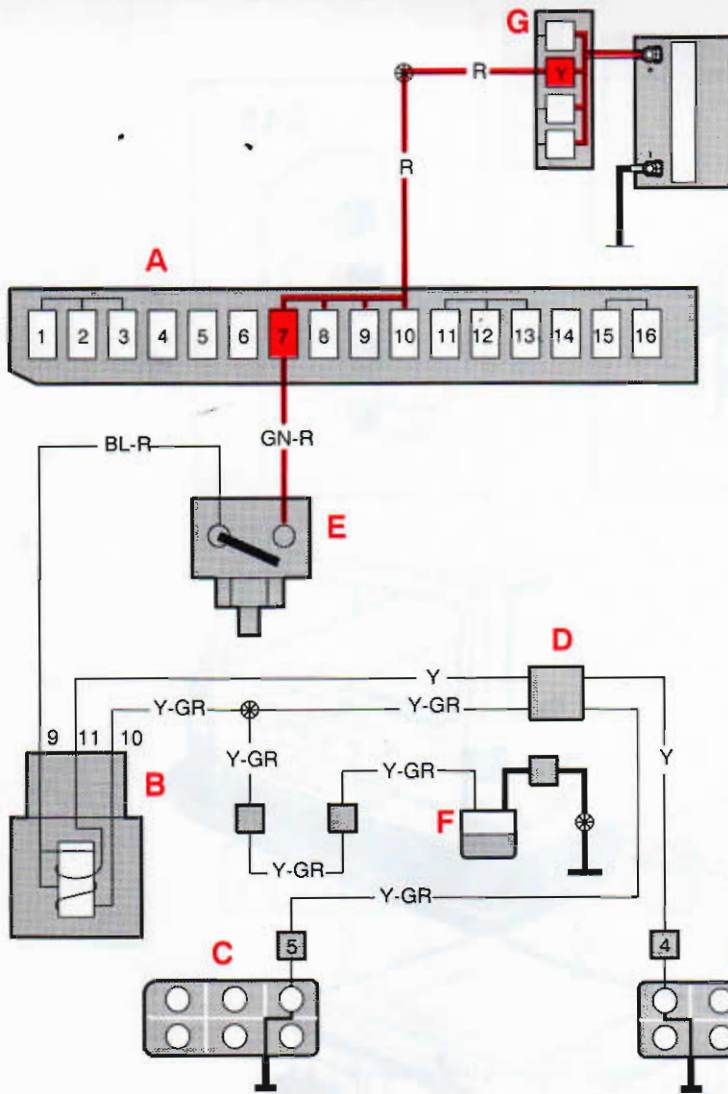
Brake lights without extra brake lamp



Brake lights without extra brake lamp



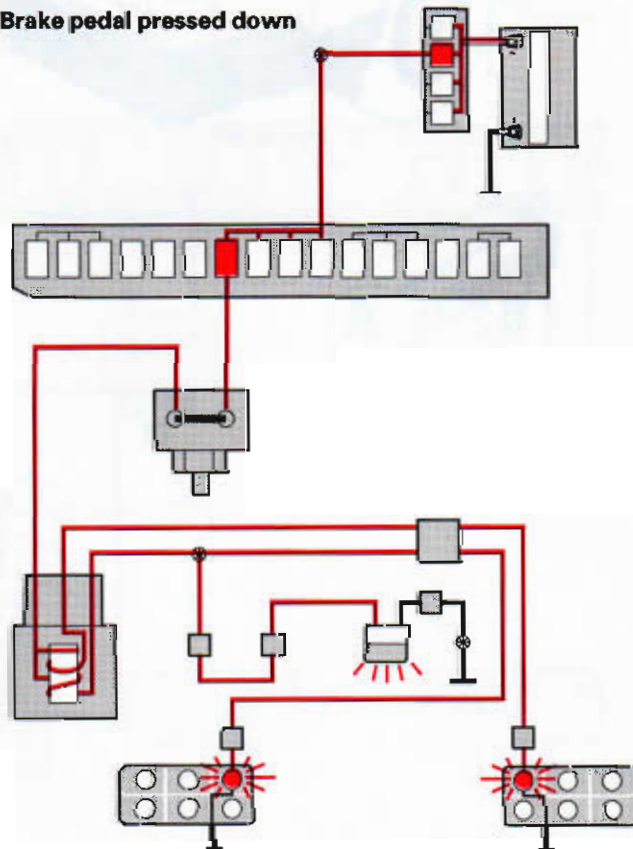
Brake lights with extra brake lamp



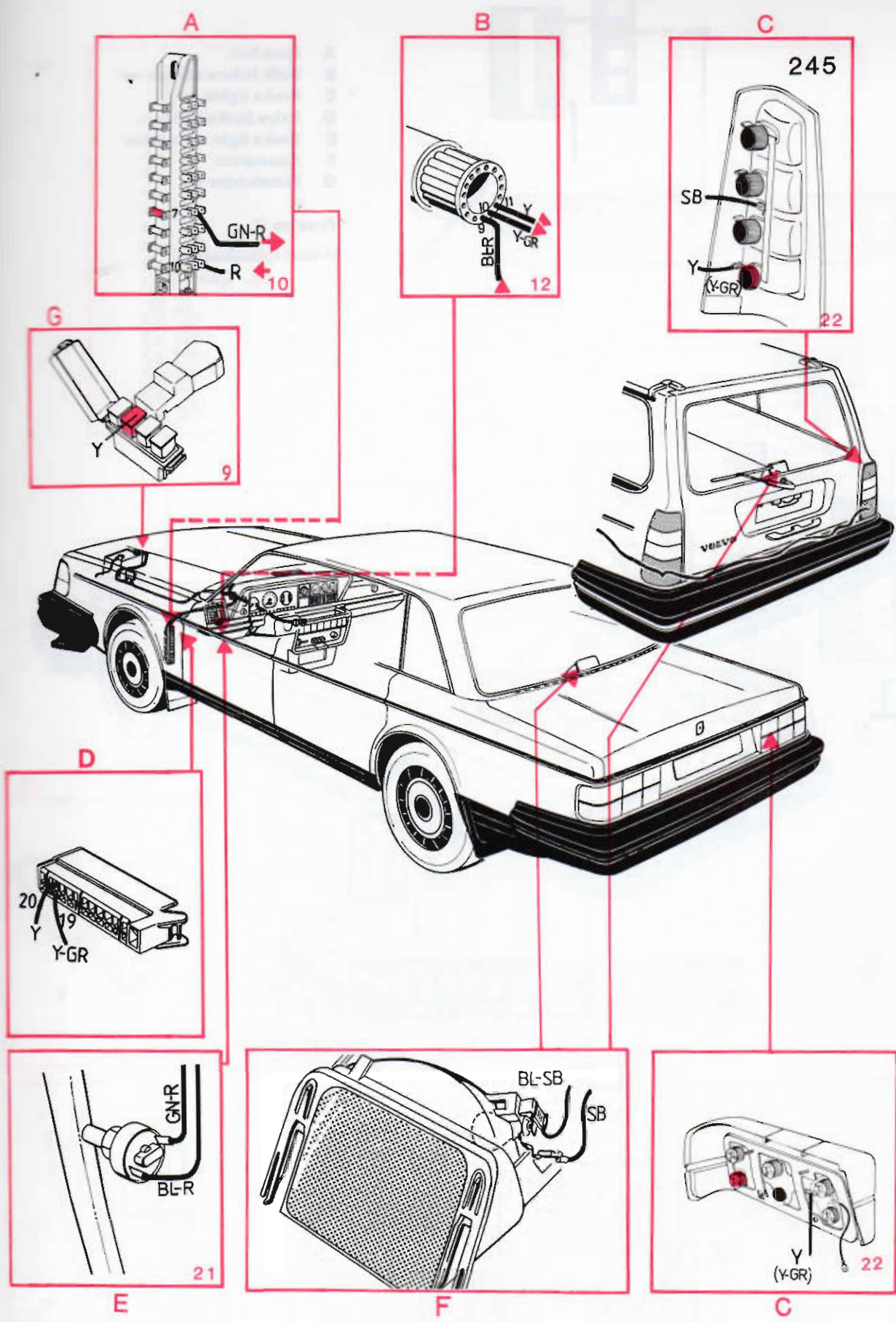
- A** Fuse box
- B** Bulb failure sensor
- C** Brake lights
- D** Connector
- E** Brake light connector
- F** Extra brake light
- G** Fuseholder B+

Fuse no. 7
P-shift lock solenoid

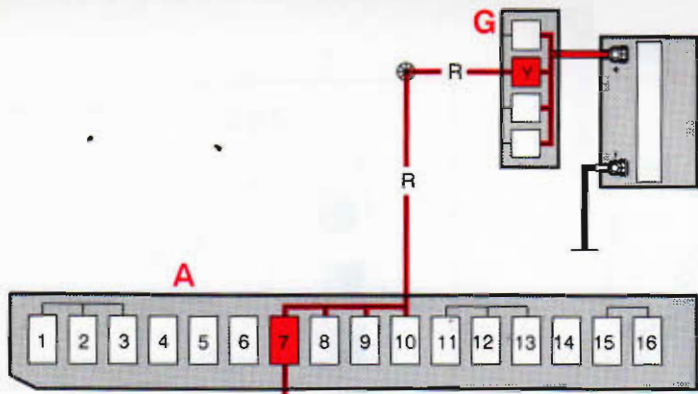
Brake pedal pressed down



Brake lights with extra brake lamp



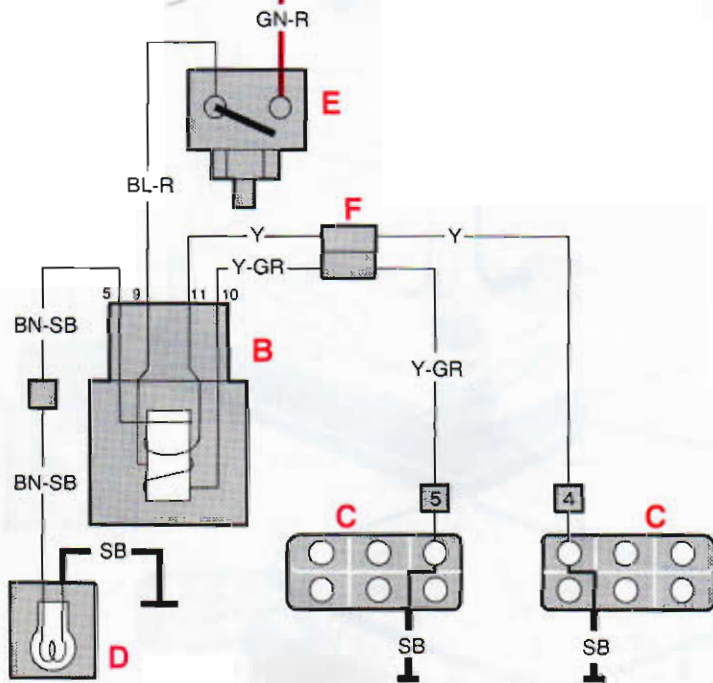
Brake lights, USA with extra brake lamp



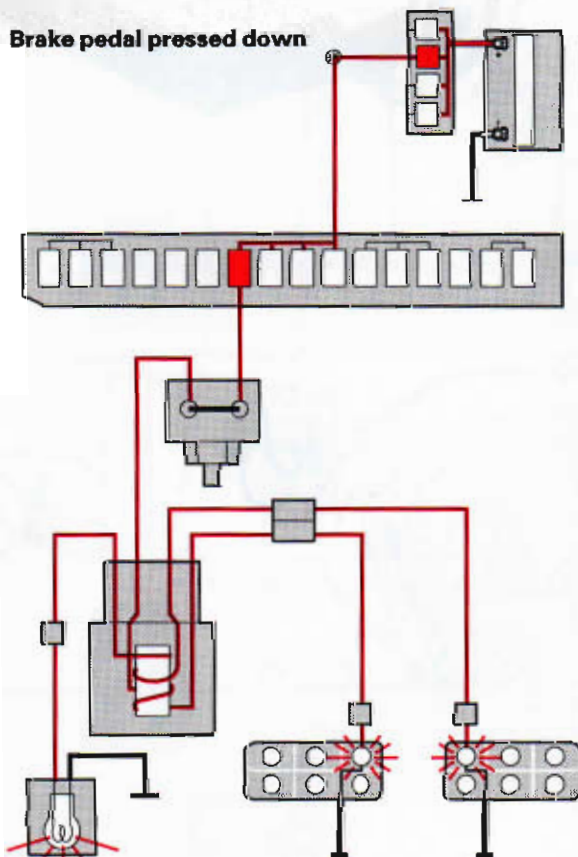
- A** Fuse box
- B** Bulb failure sensor
- C** Brake lights
- D** Extra brake light
- E** Brake light connector
- F** Connector
- G** Fuseholder B+

Fuse no. 7

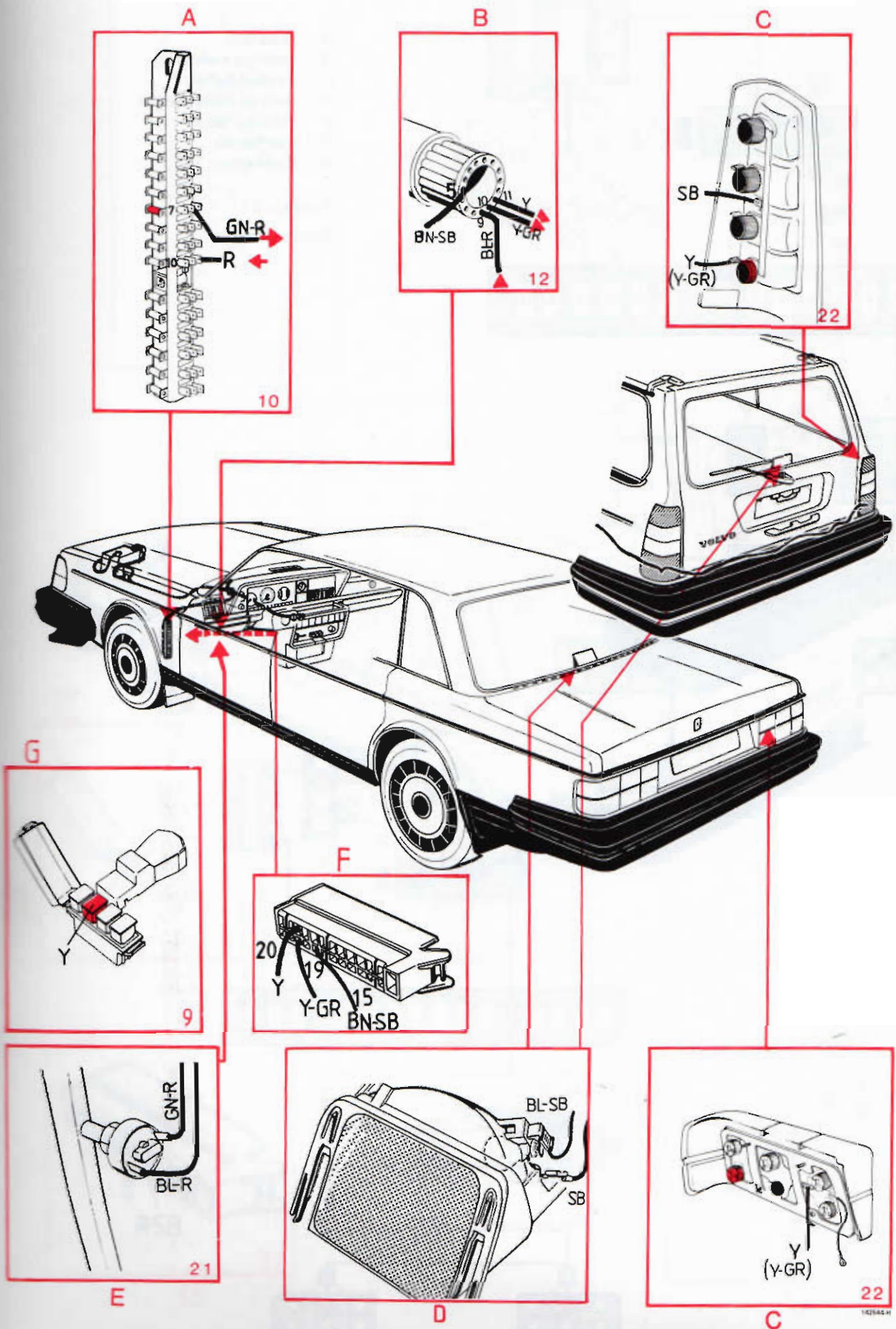
P-shift lock solenoid



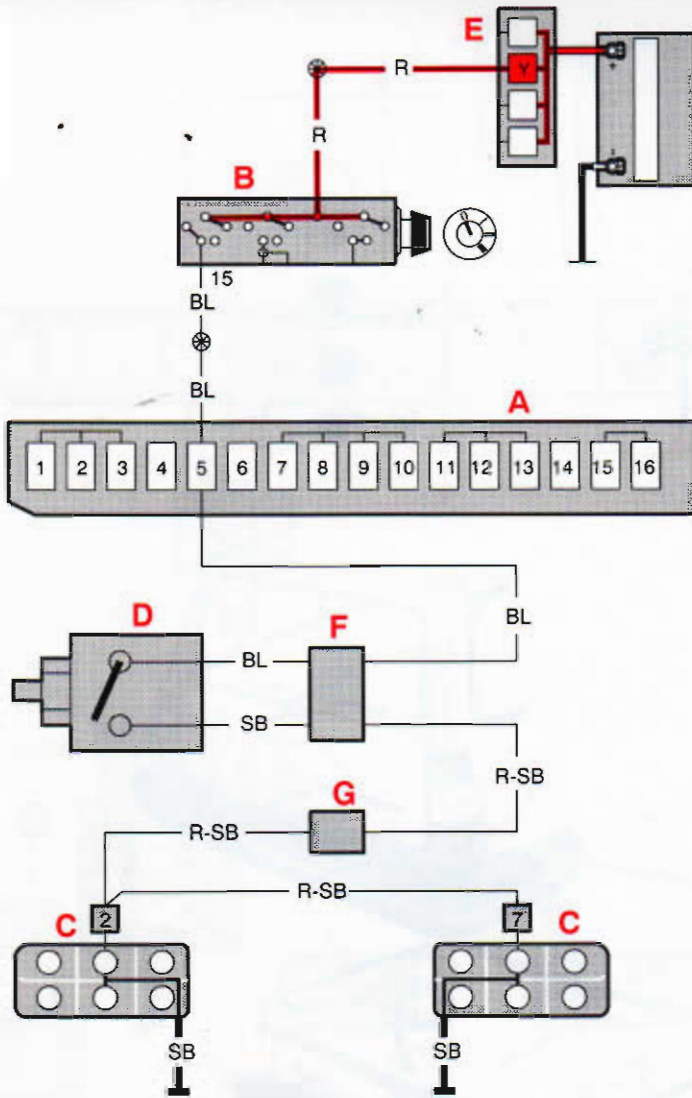
Brake pedal pressed down



Brake lights, USA with extra brake lamp



Backup lights, manual transmission

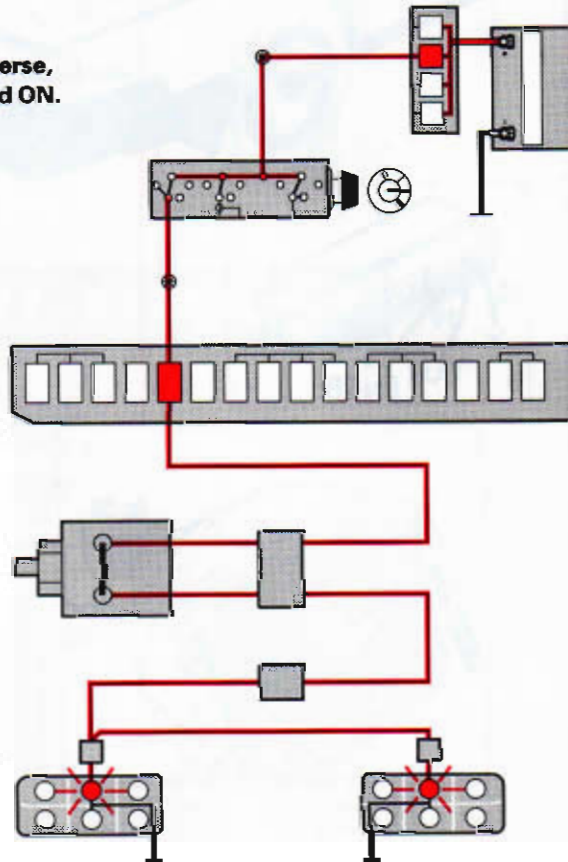


- A Fuse box
- B Ignition switch
- C Backup lights
- D Backup light switch
- E Fuseholder B+
- F Connector
- G Connector

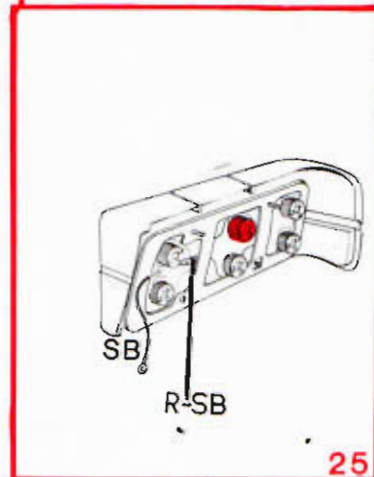
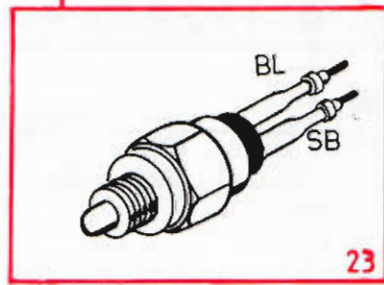
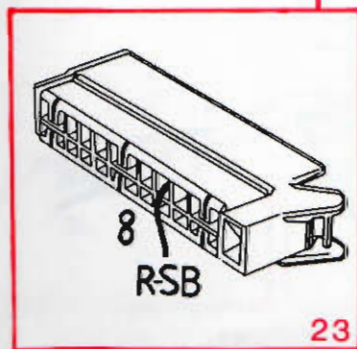
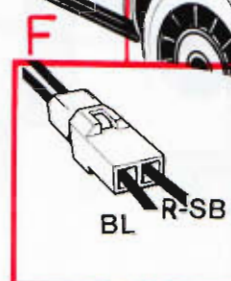
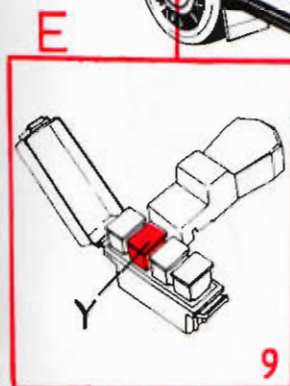
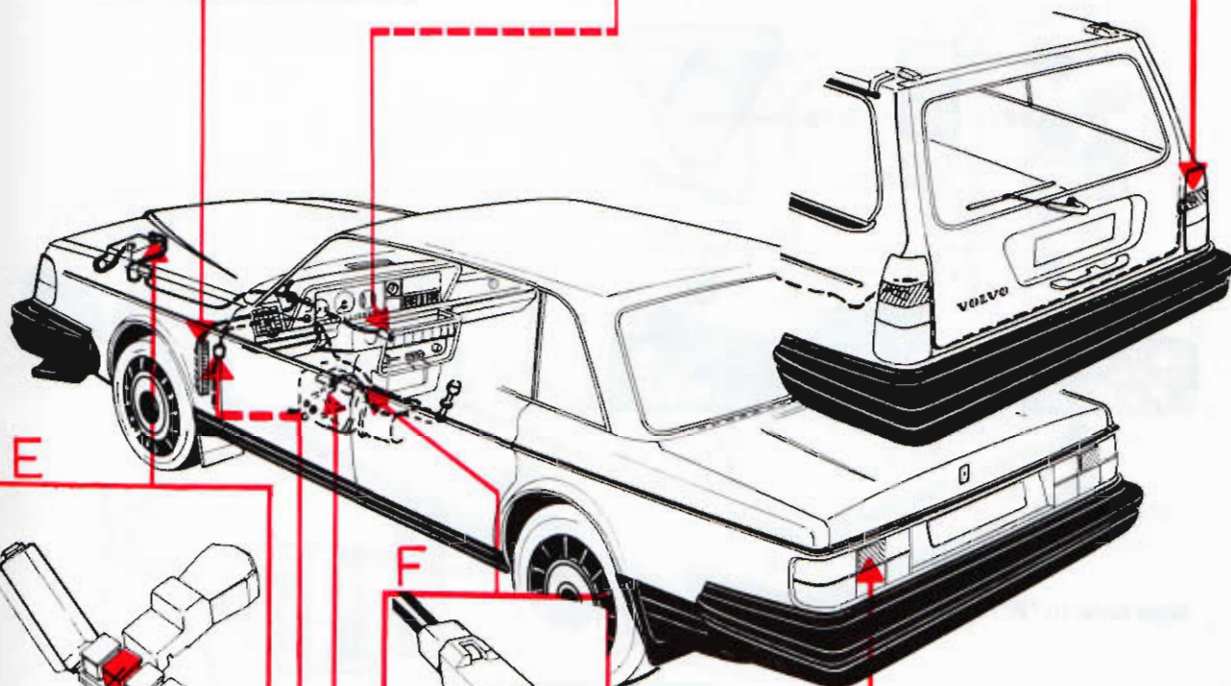
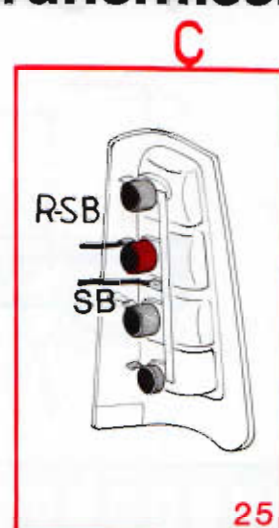
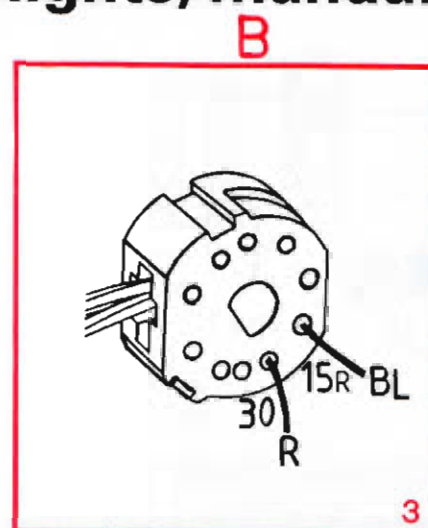
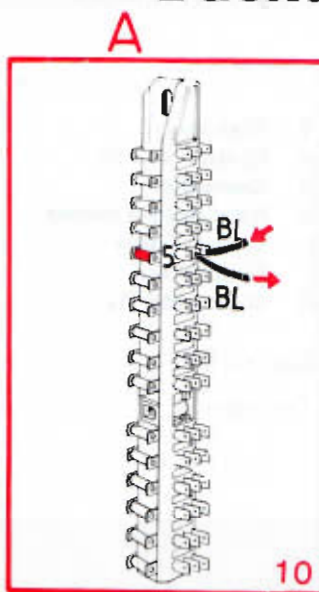
Fuse no. 5

Turn signals

**Gear lever in reverse,
ignition switched ON.**

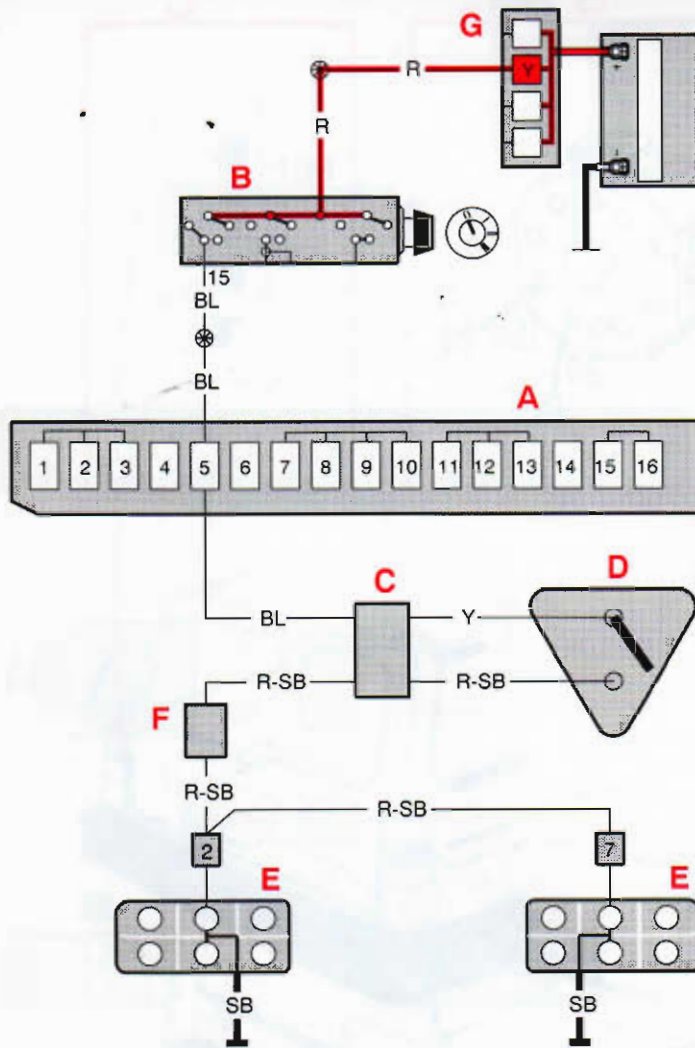


Backup lights, manual transmission



142548-H

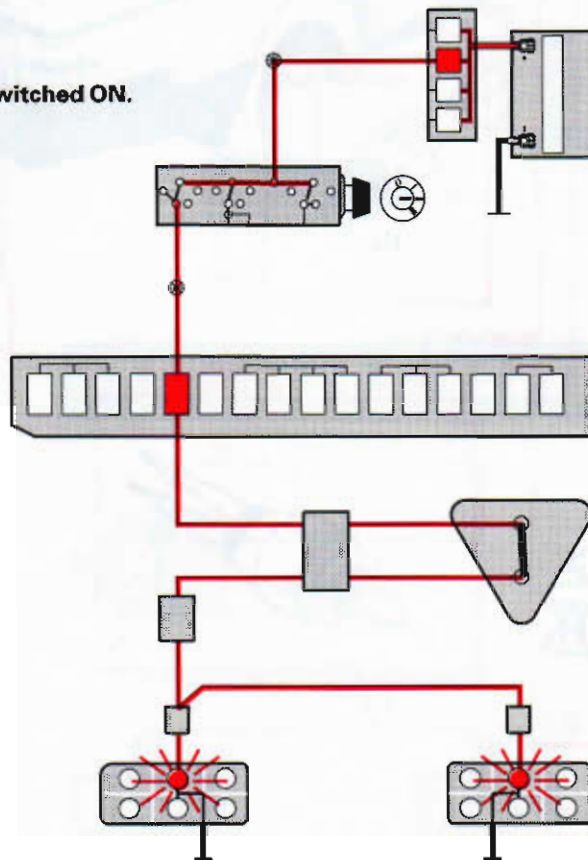
Backup lights, automatic transmission



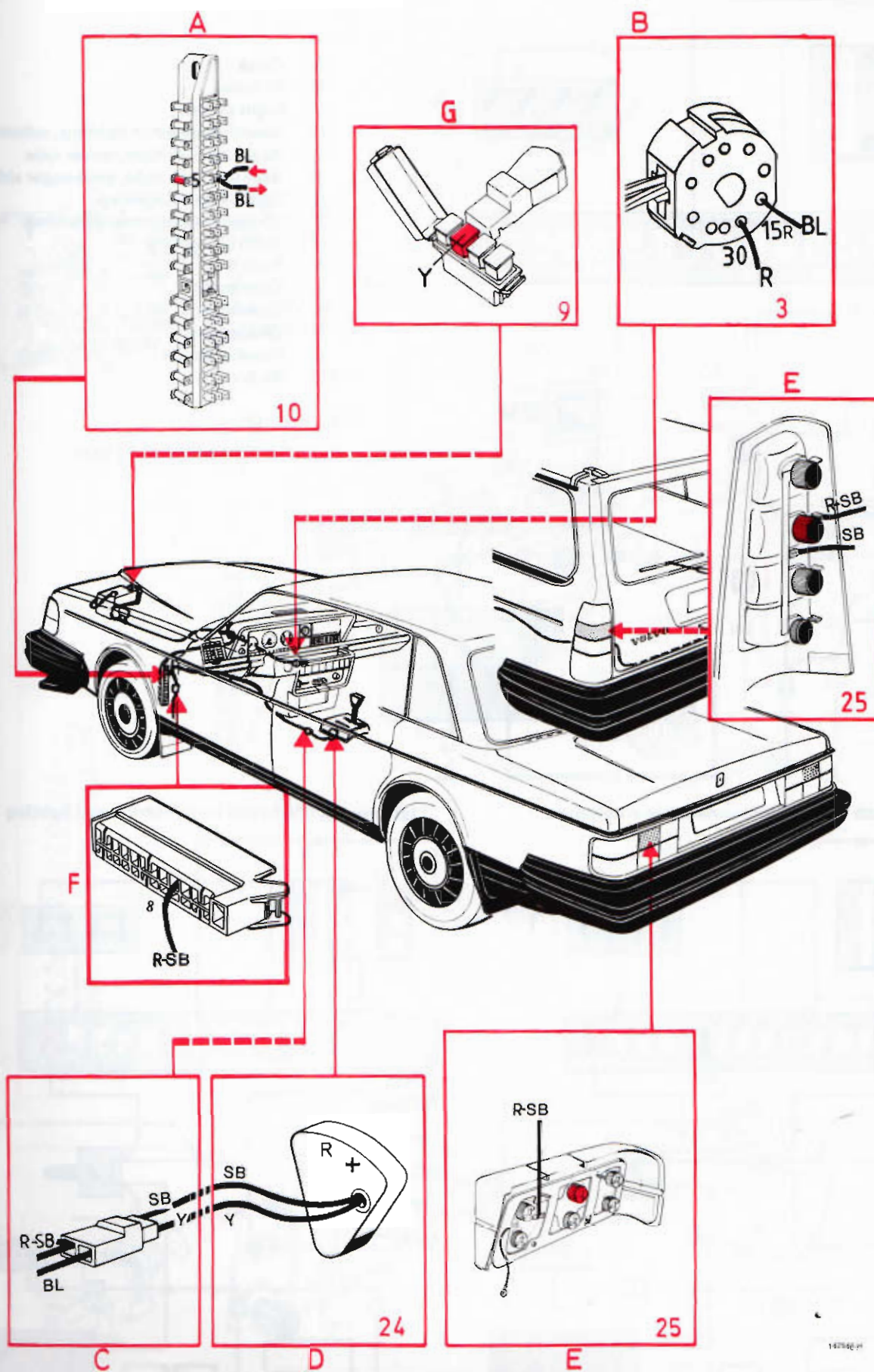
- A Fuse box
- B Ignition switch
- C Connector
- D Backup light switch
- E Backup lights
- F Connector
- G Fuseholder B+

Fuse no. 5
Turn signals

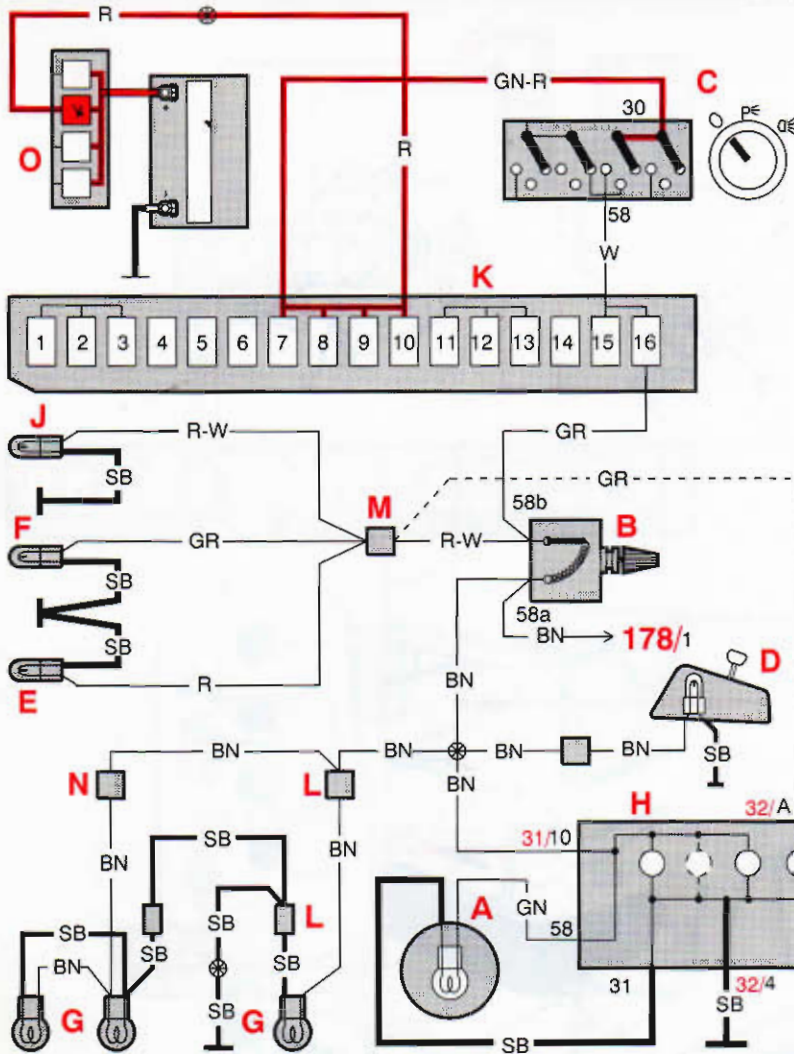
Gear lever in "R", ignition switched ON.



Backup lights, automatic transmission



Instrument and control lights

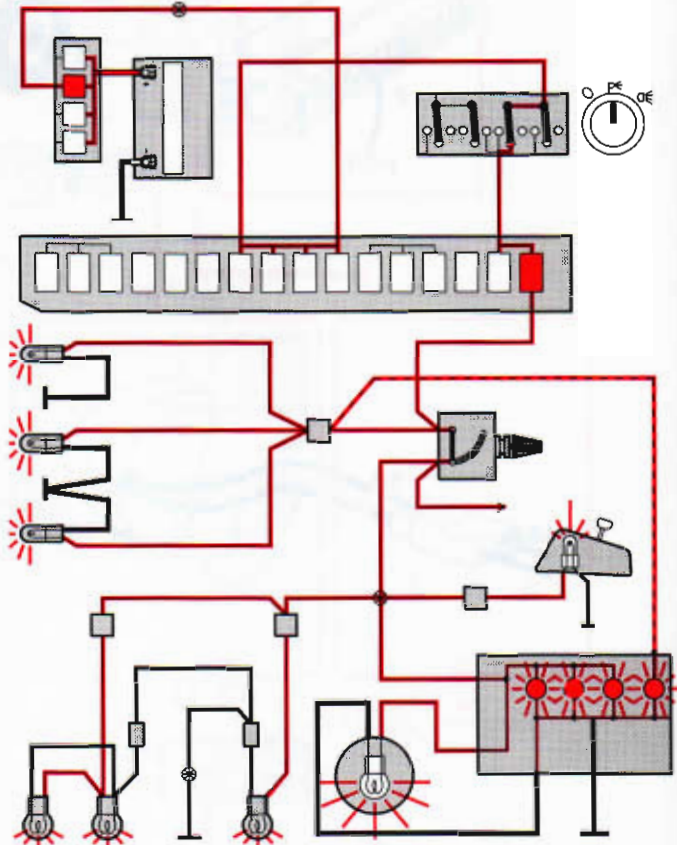
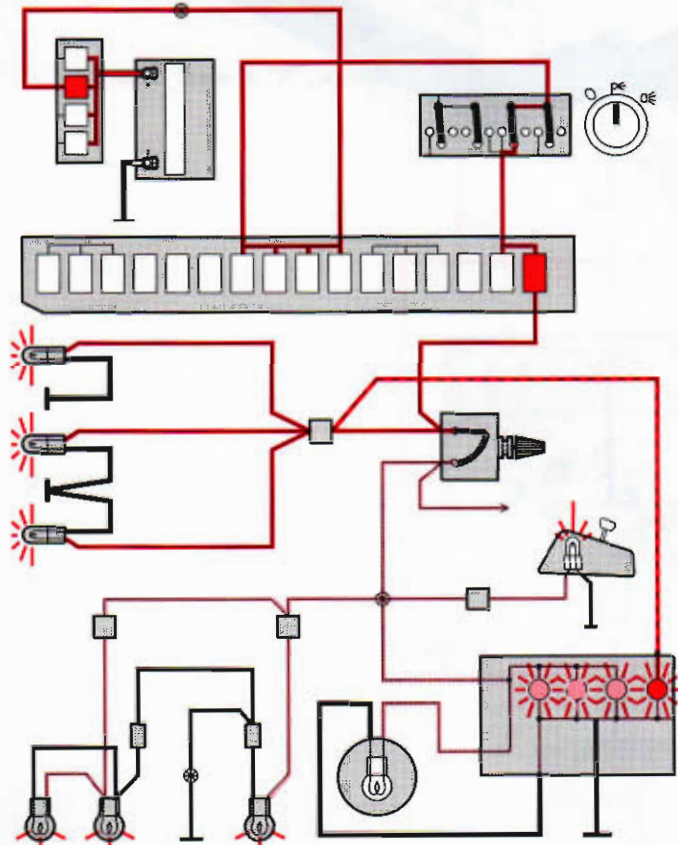


- A Clock
- B Dimmer
- C Light switch
- D Gearshift selector lighting, automatic
- E Seat belt lock light, driver side
- F Seat belt lock light, passenger side
- G Control panel lighting
- H Combined instrument lighting
- J Ashtray lighting
- K Fuse box
- L Connector
- M Connector
- N Connector
- O Fuseholder B+
- 178 Radio

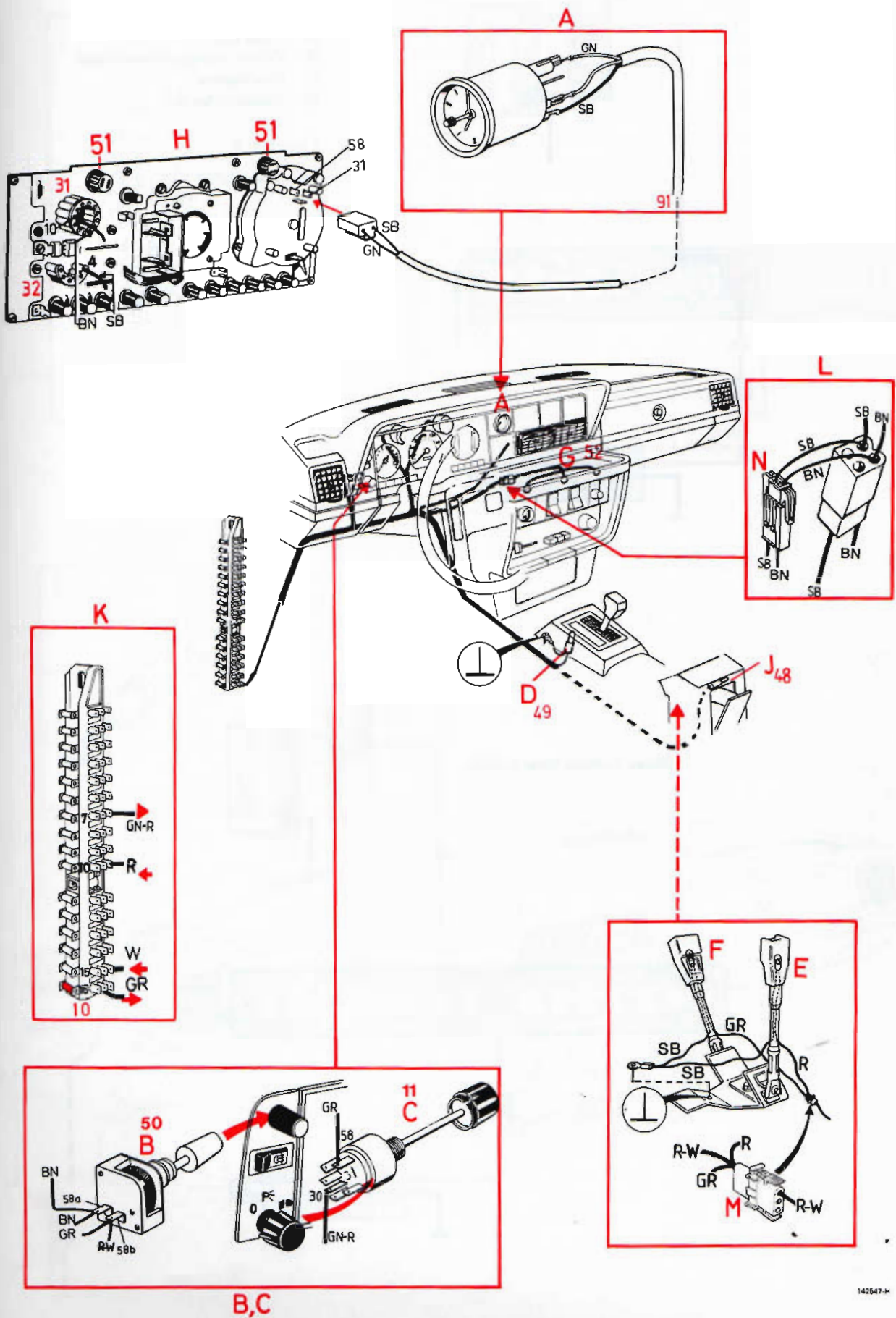
Fuse no. 16
Right tail light and parking light

Light switch ON, dim instrument panel lighting

Light switch ON, bright instrument panel lighting

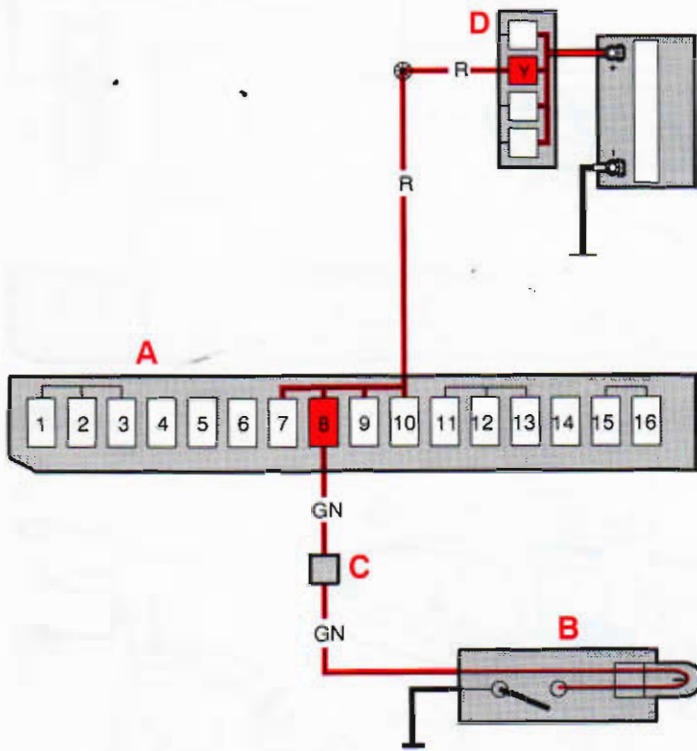


Instrument and control lights



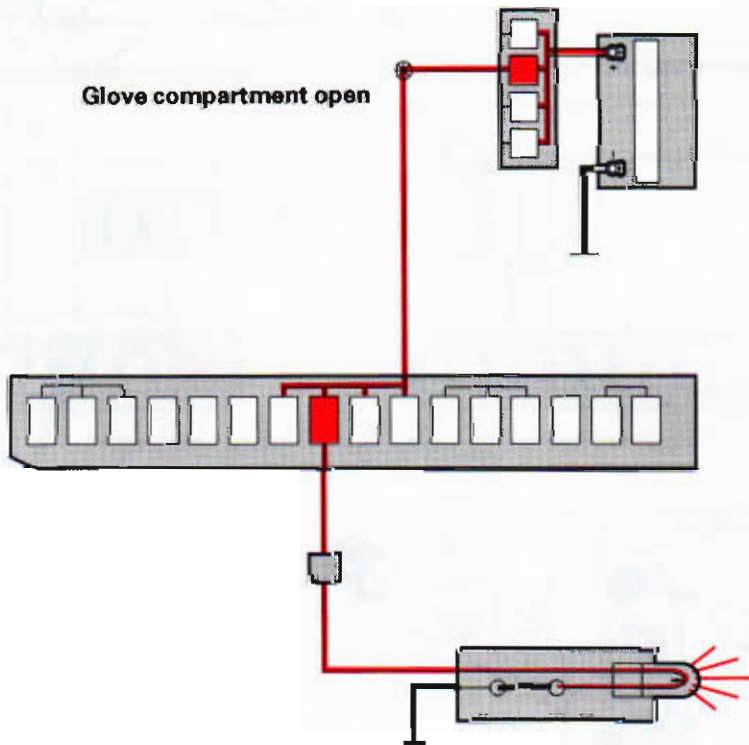
142647-H

Glove compartment light

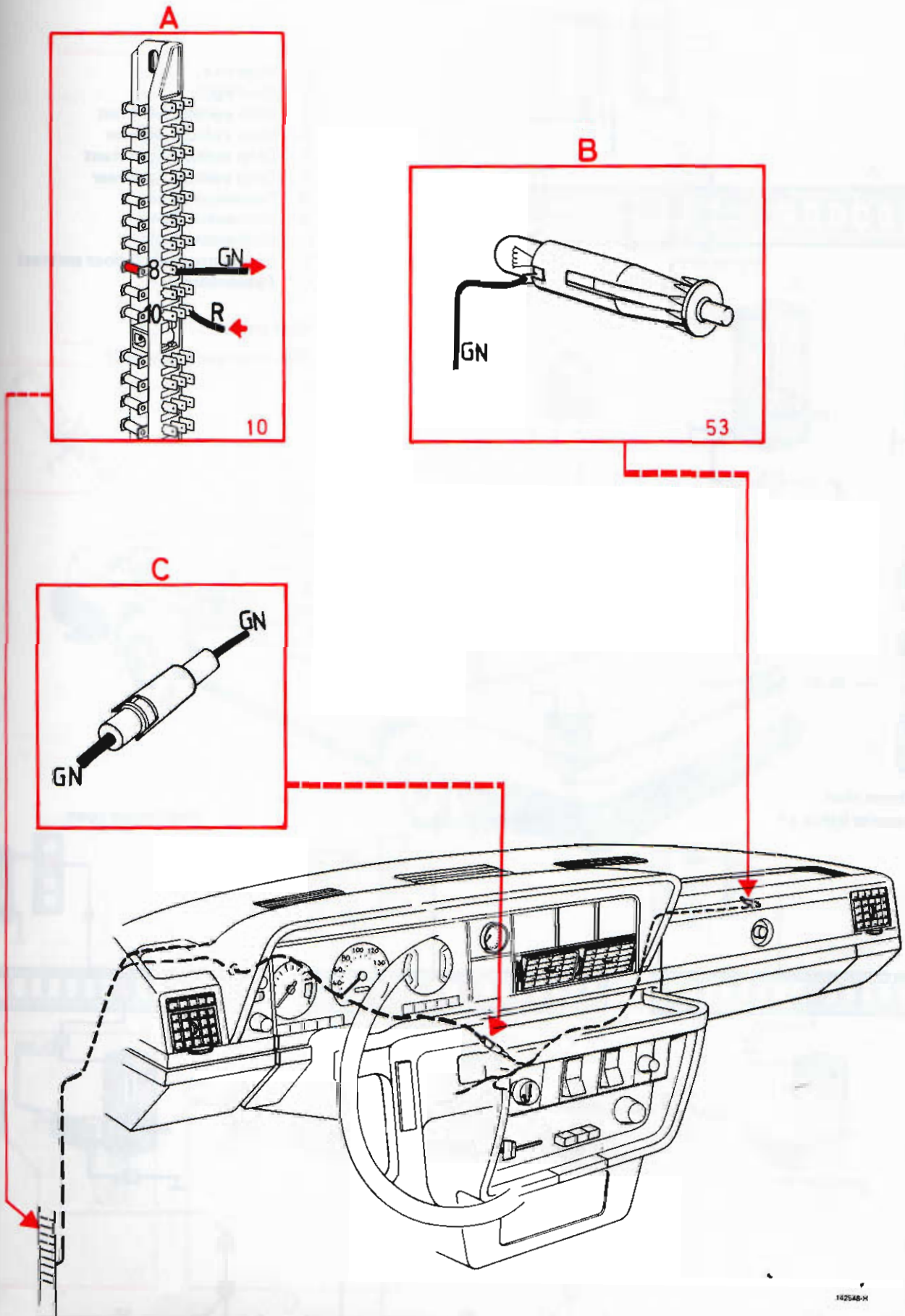


- A Fuse box
- B Glove compartment light
- C Connector
- D Fuseholder B+

Fuse No. 8
Courtesy lights

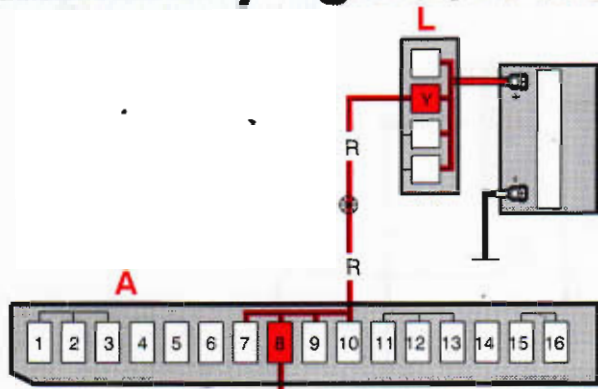


Glove compartment light



142548-H

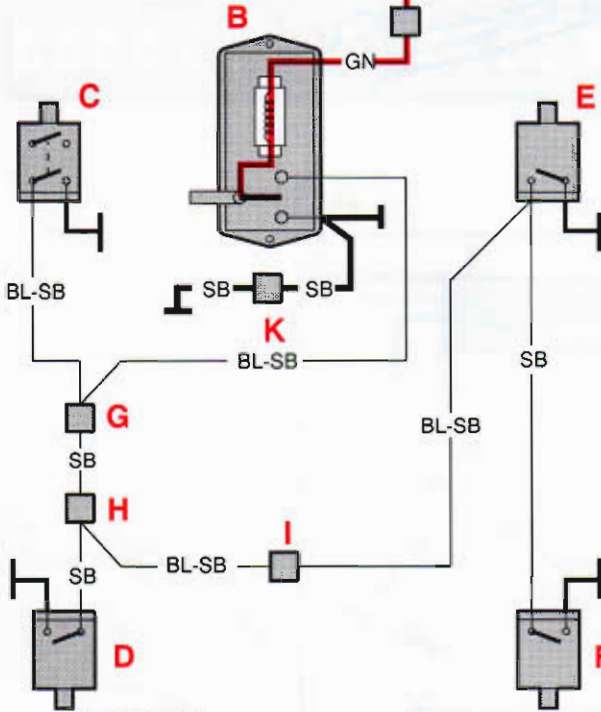
Courtesy lights, front



- A Fuse box
- B Roof light
- C Door switch, left front
- D Door switch, left rear
- E Door switch, right front
- F Door switch, right rear
- G Connector, 4-pin
- H Connector, 4-pin
- I Connector, 1-pin
- K Connector (only 5-door estates)
- L Fuseholder B+

Fuse no. 8

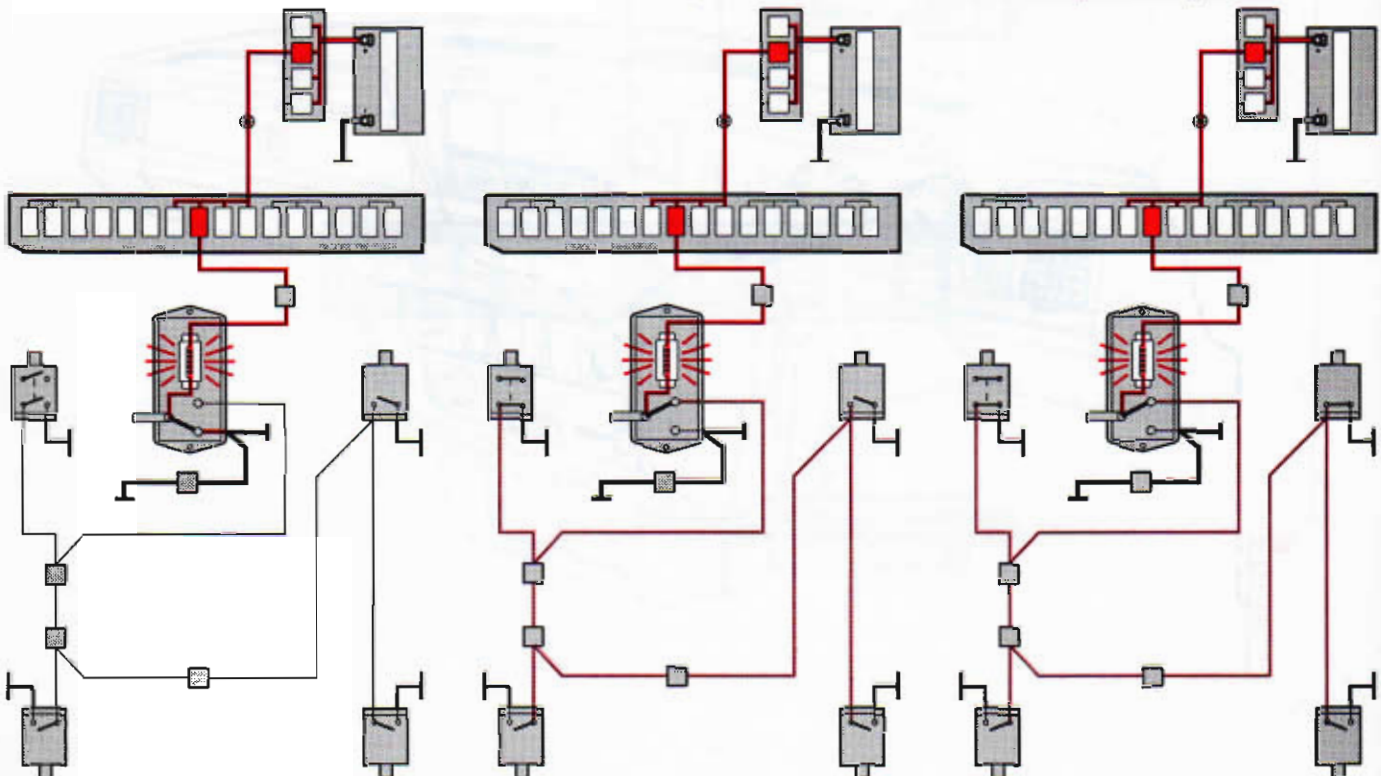
Glove compartment light



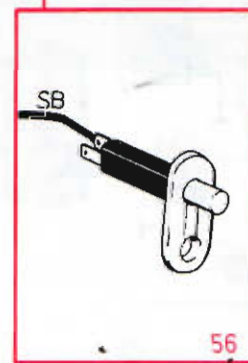
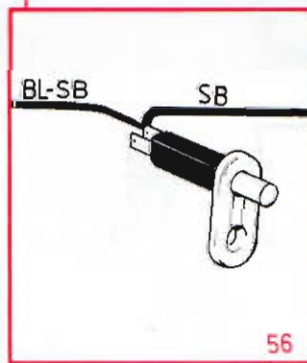
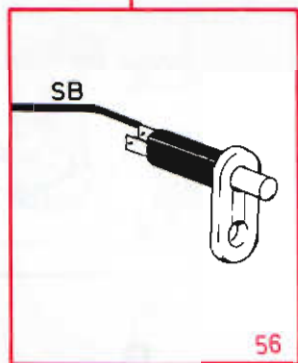
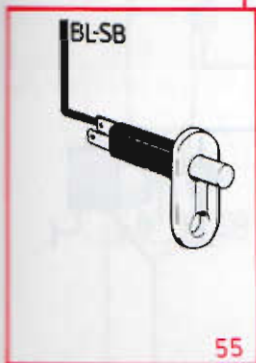
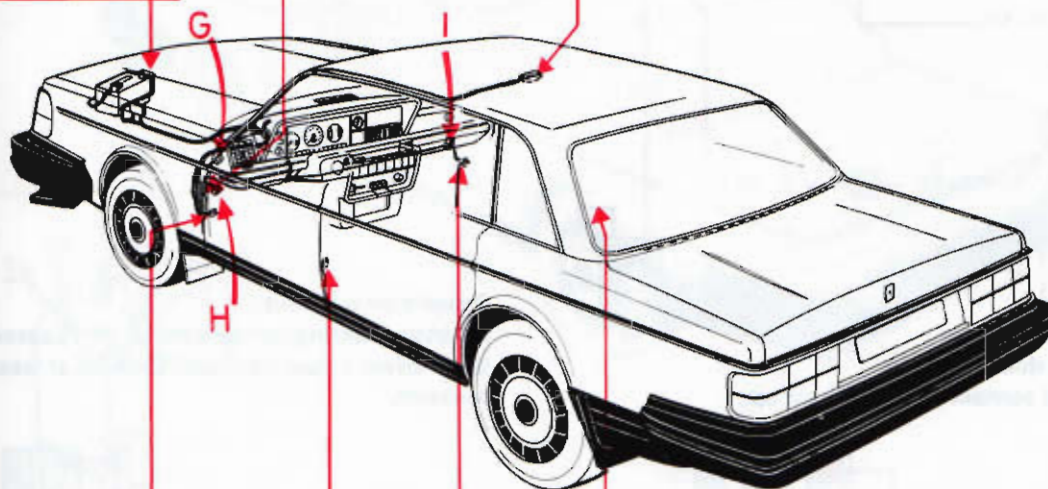
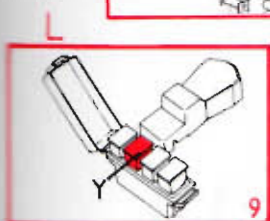
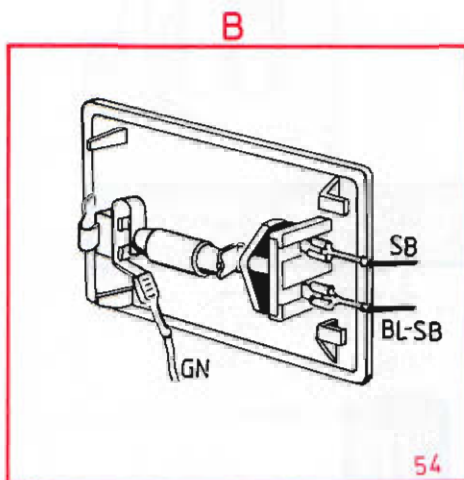
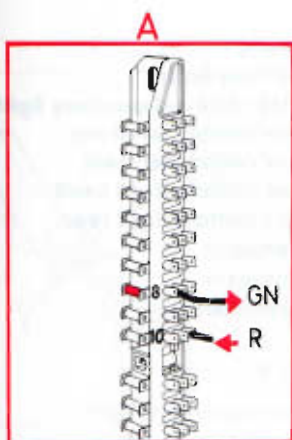
Doors shut.
Interior lights on

Left door open

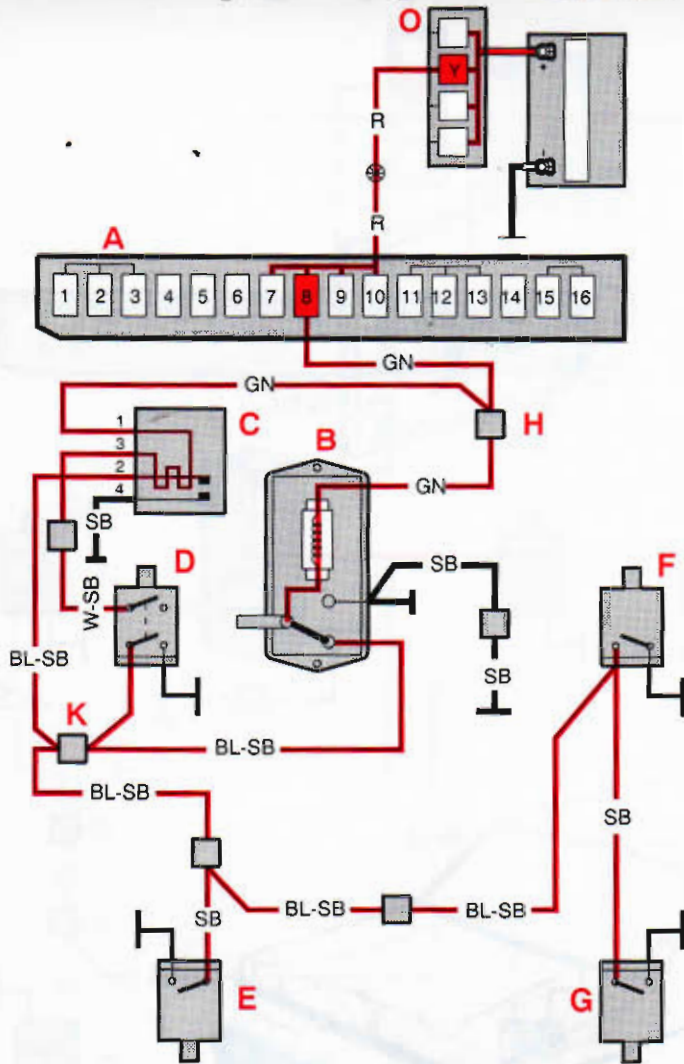
Right door open



Courtesy lights, front



Courtesy delay function

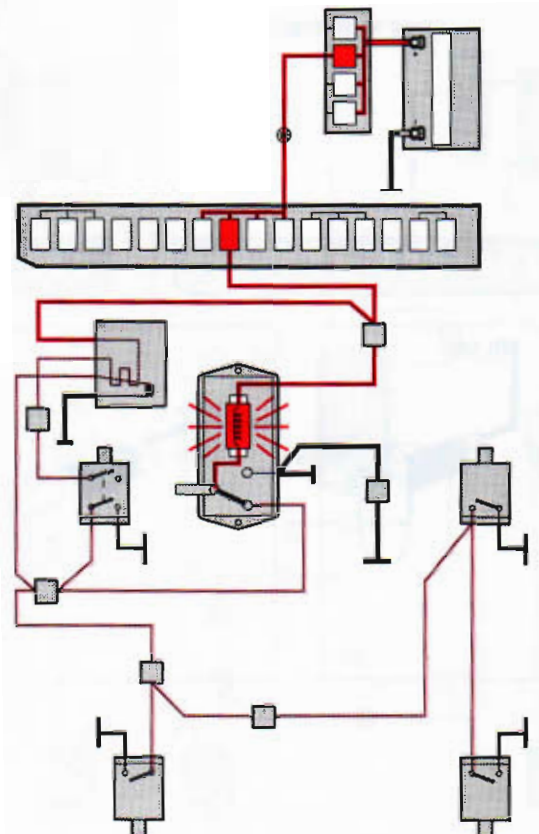
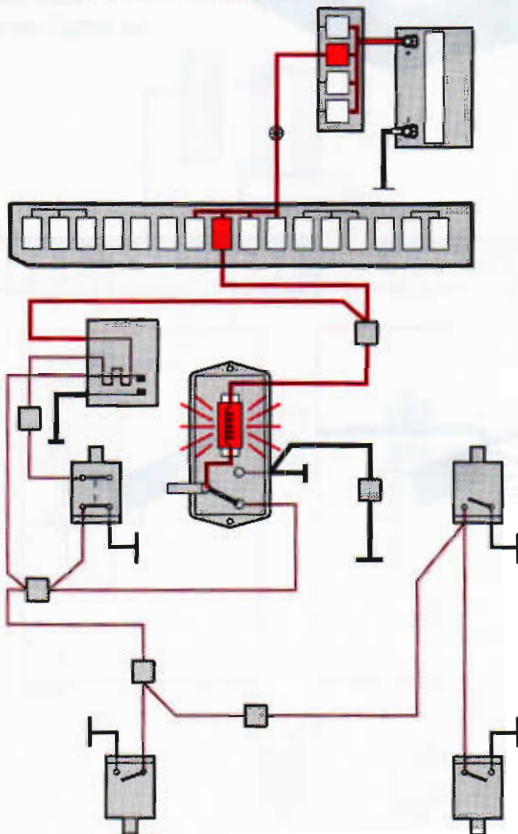


- A Fuse box
- B Courtesy light
- C Relay, delayed courtesy lighting
- D Door switch, left front
- E Door switch, left rear
- F Door switch, right front
- G Door switch, right rear
- H Connector
- K Connector
- O Fuseholder B+

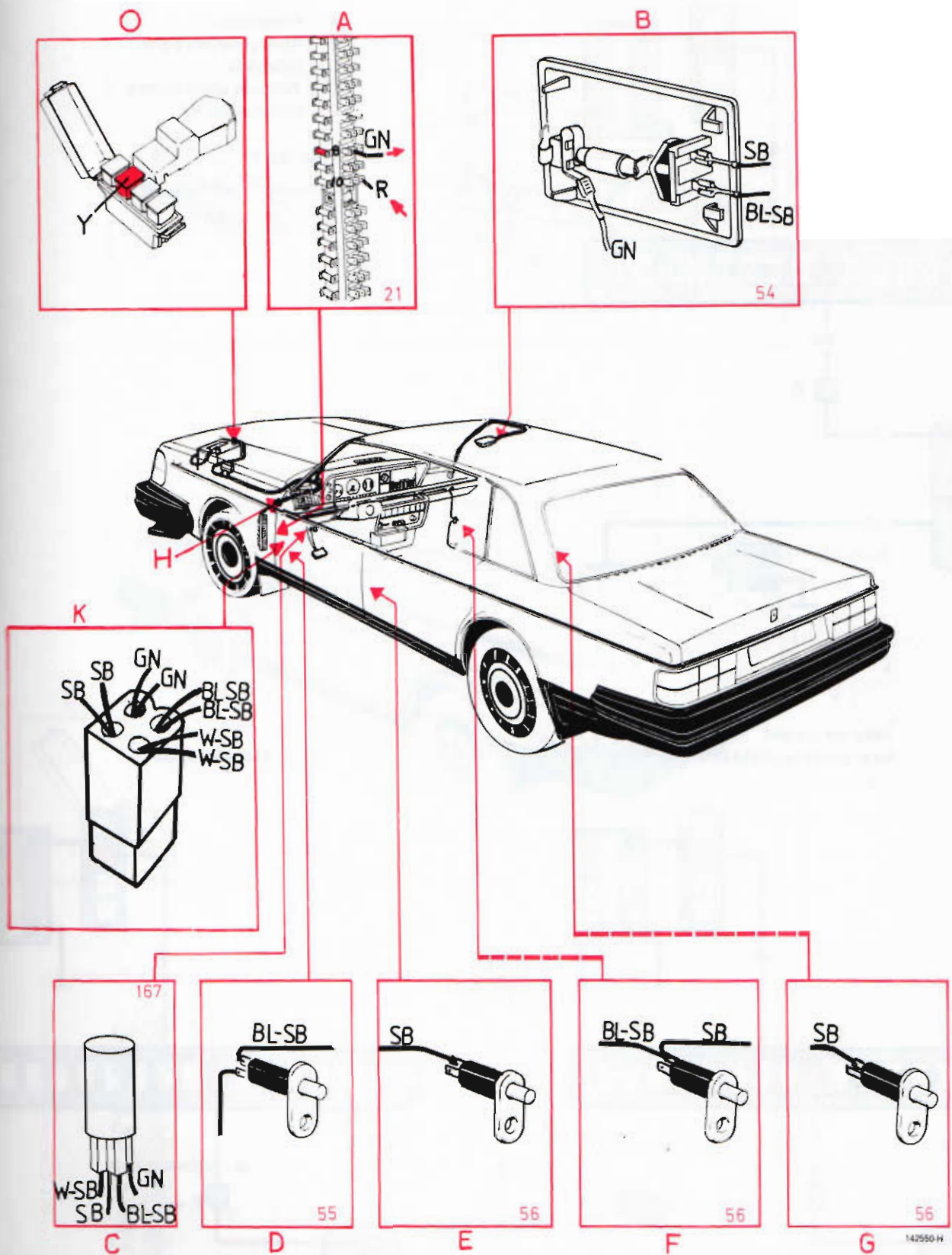
Fuse no. 8
Glove compartment light

Driver's door open.
Bi-metal contact begins to heat up.

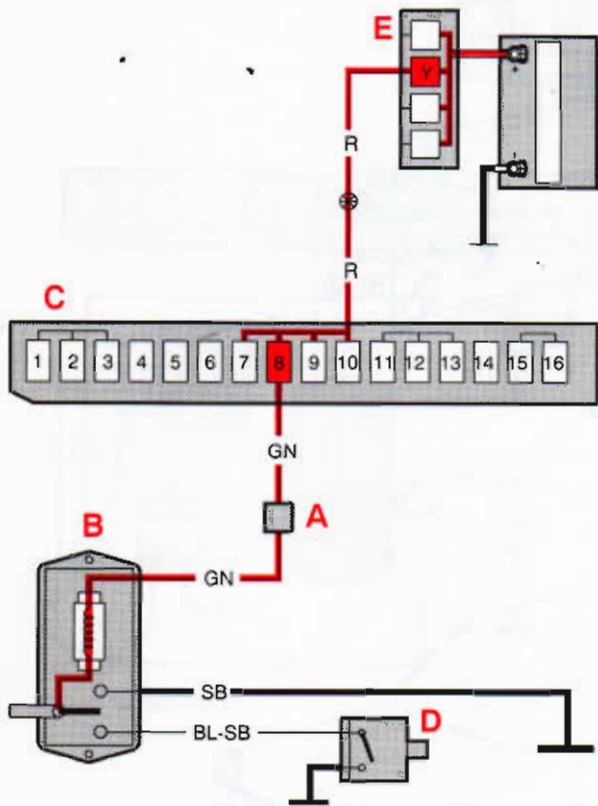
Driver's door is shut.
Courtesy lighting remains on for 10-17 seconds if the driver's door has been open for at least 6 seconds.



Courtesy delay function



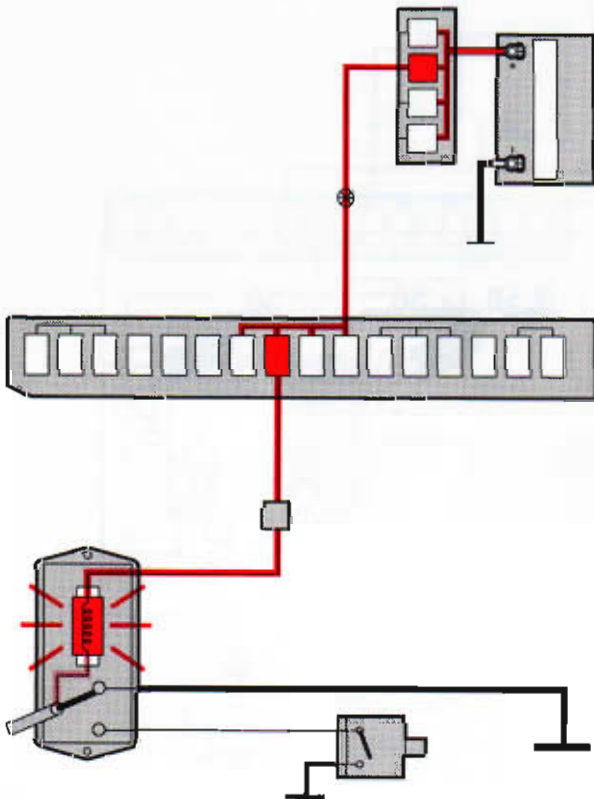
Rear courtesy light, estate



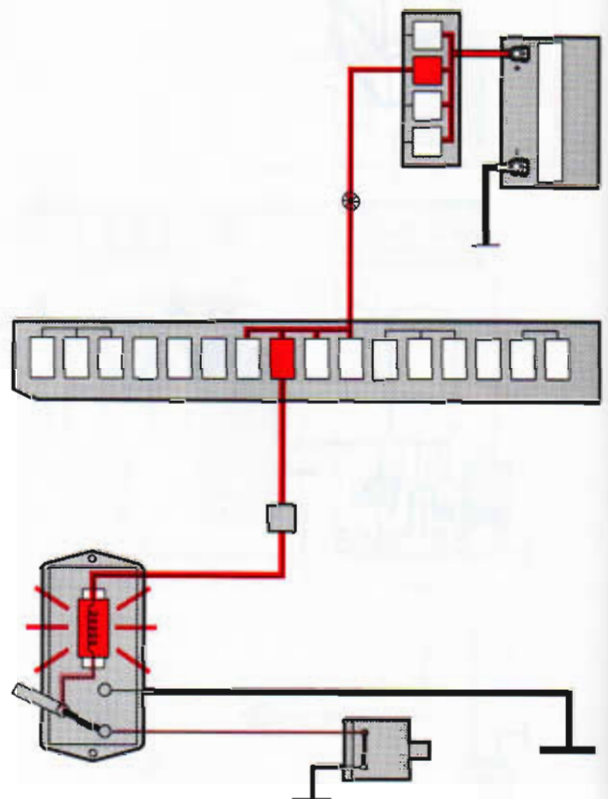
- A Connector
- B Rear courtesy light
- C Fuse box
- D Tailgate door switch
- E Fuseholder B+

Fuse No. 8
Glove compartment light

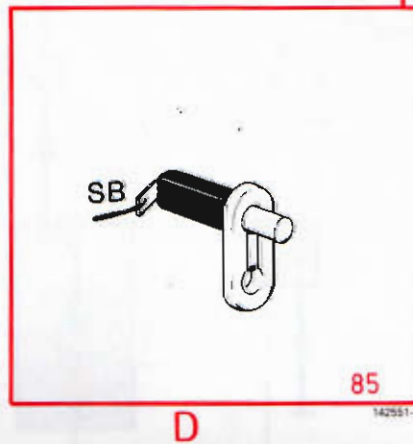
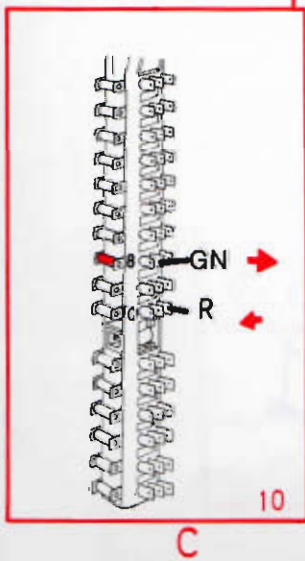
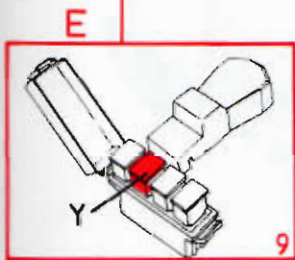
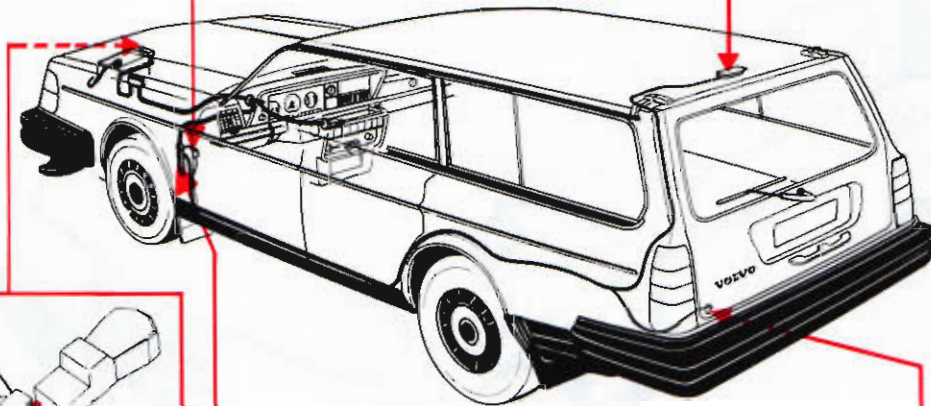
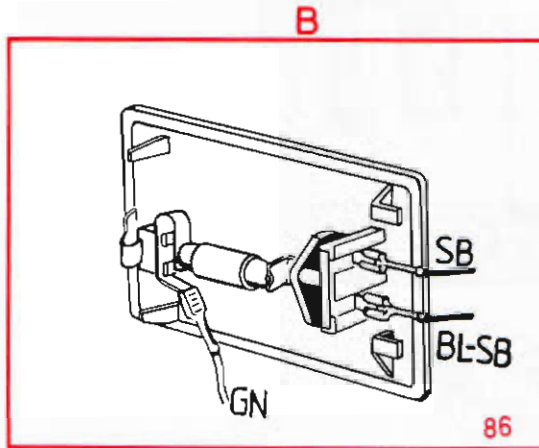
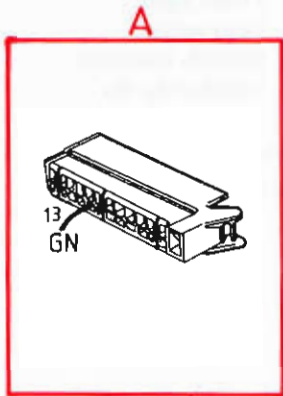
**Tailgate closed
Rear courtesy light ON**



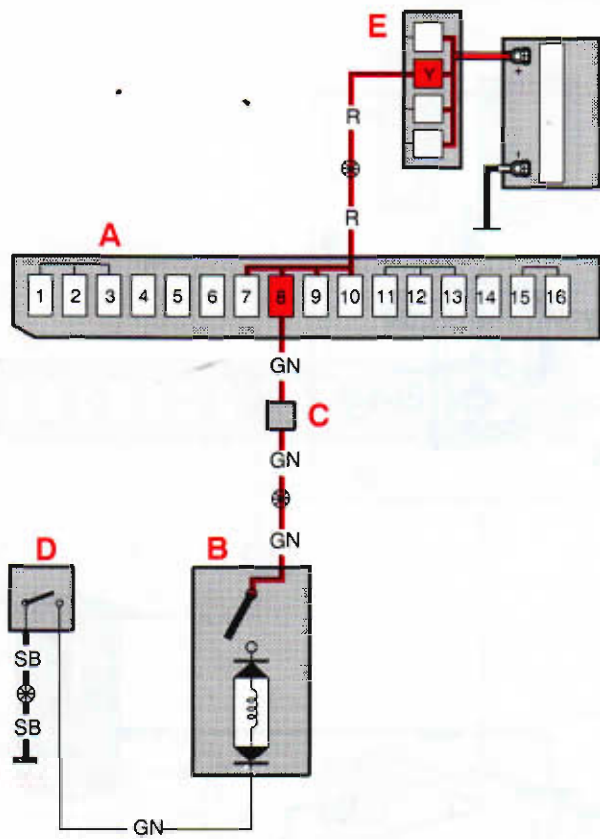
Tailgate open



Rear courtesy light, estate



Luggage area lighting

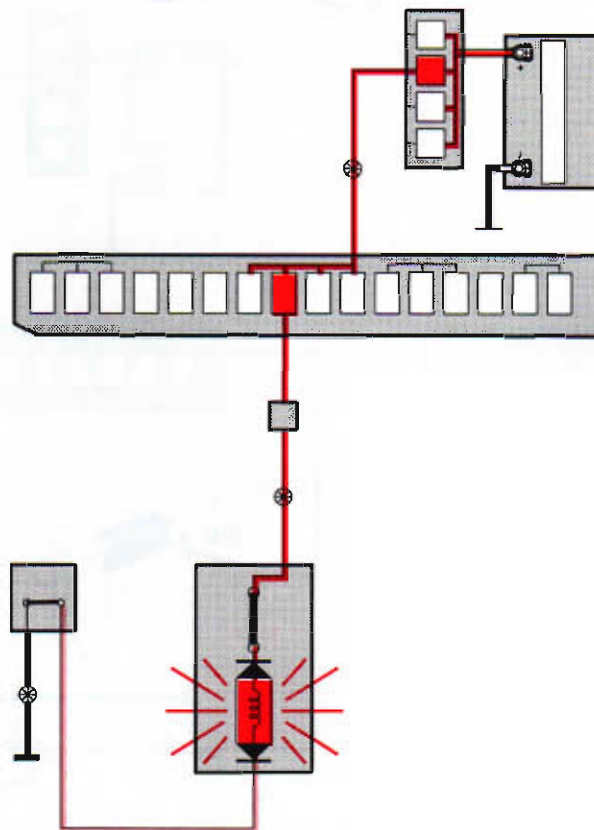


- A Fuse box
- B Trunk light
- C Connector
- D Switch, trunk lid
- E Fuseholder B+

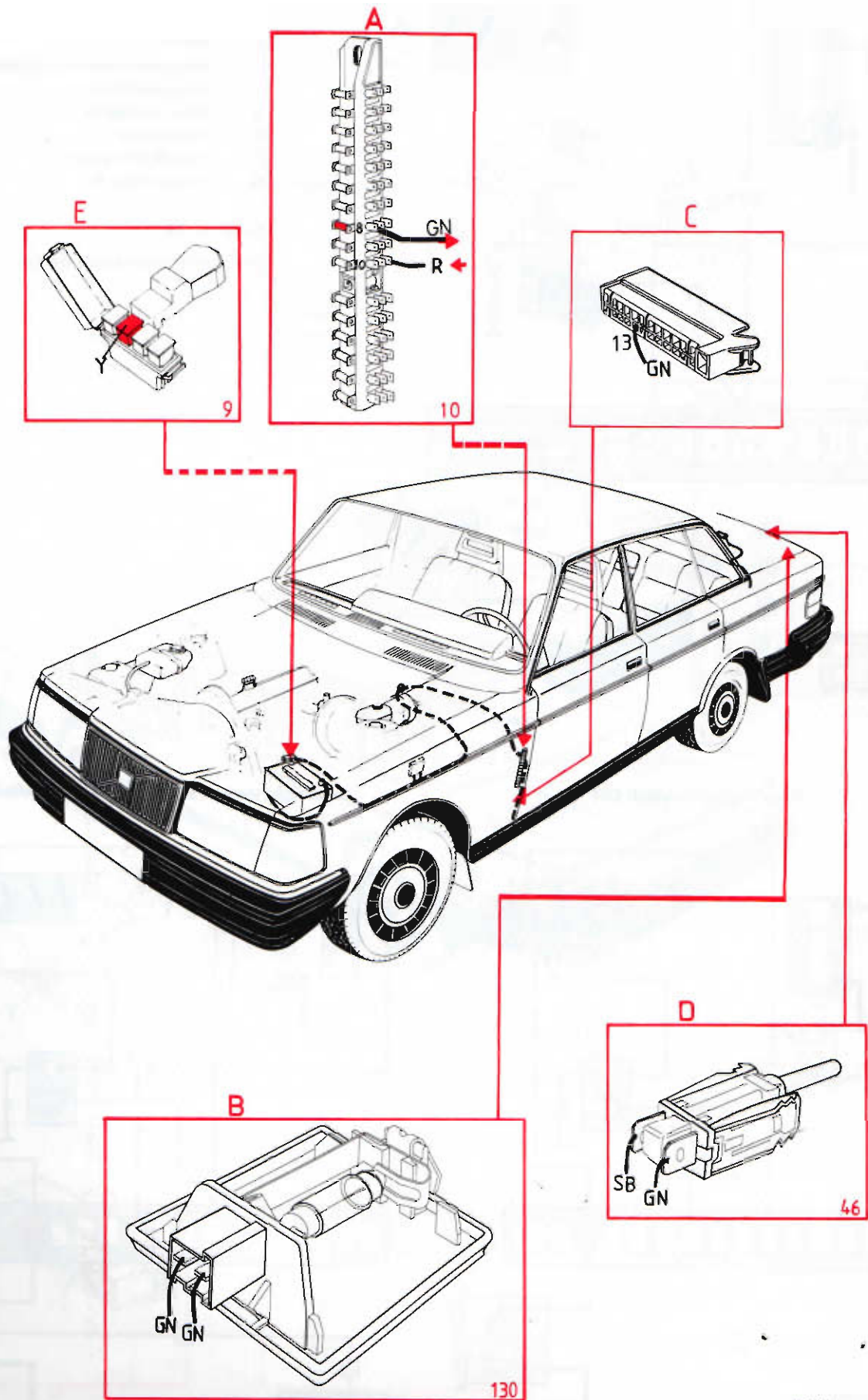
Fuse no. 8

Courtesy lighting

Trunk open

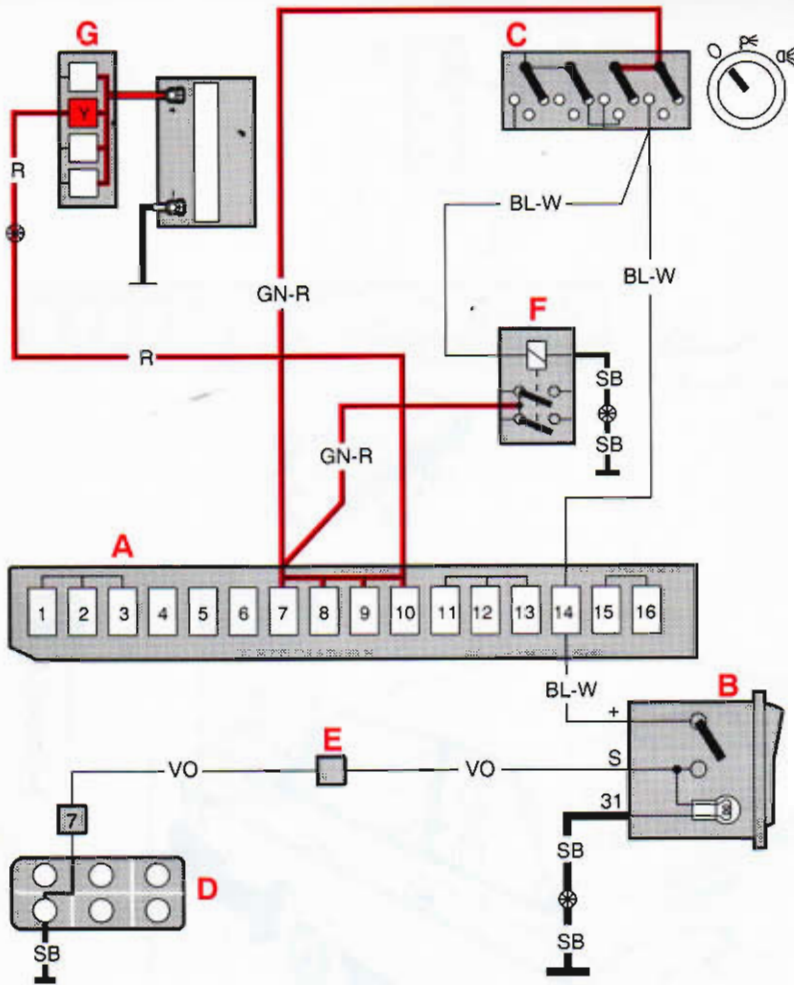


Luggage area lighting



142552 H

Rear foglights



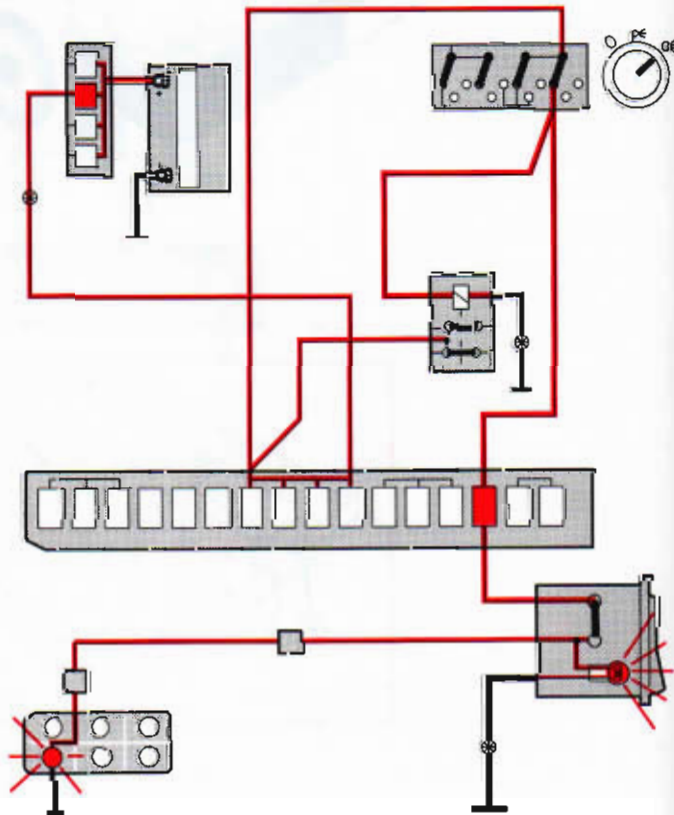
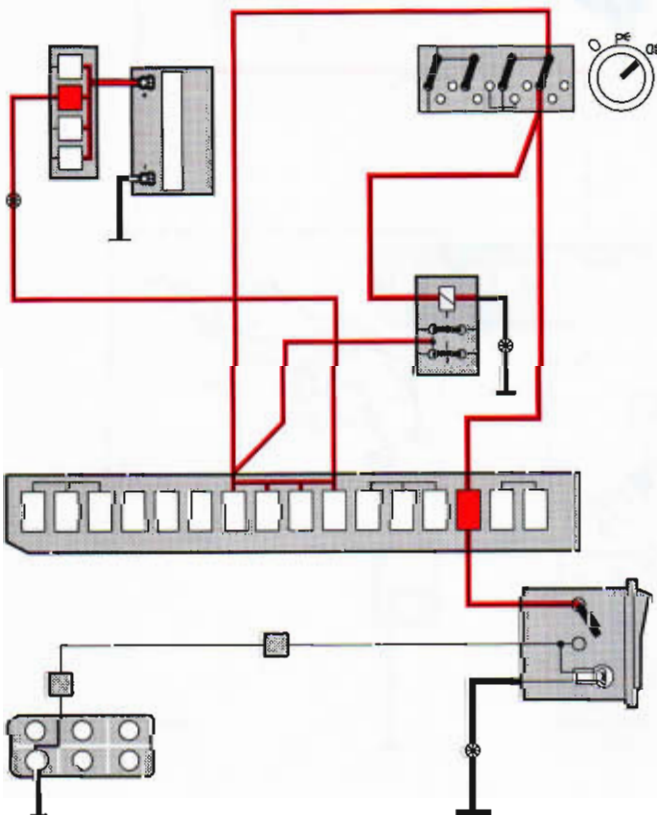
- A** Fuse box
- B** Switch for rear foglights
- C** Light switch
- D** Rear foglights
- E** Connector
- F** Headlight relay
- G** Fuseholder B+

Fuse no. 14

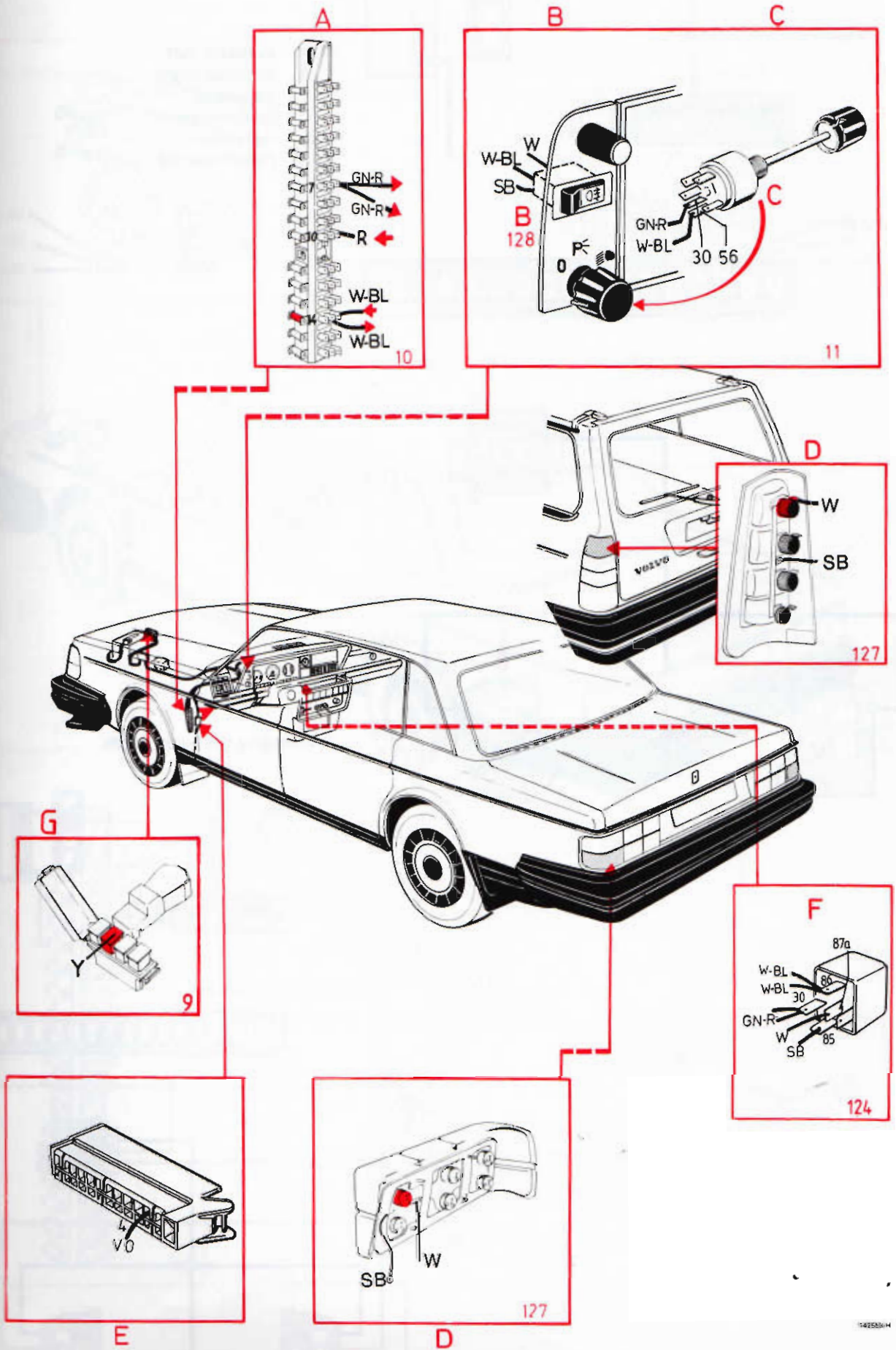
Ambient temperature gauge

Rear foglight switch OFF

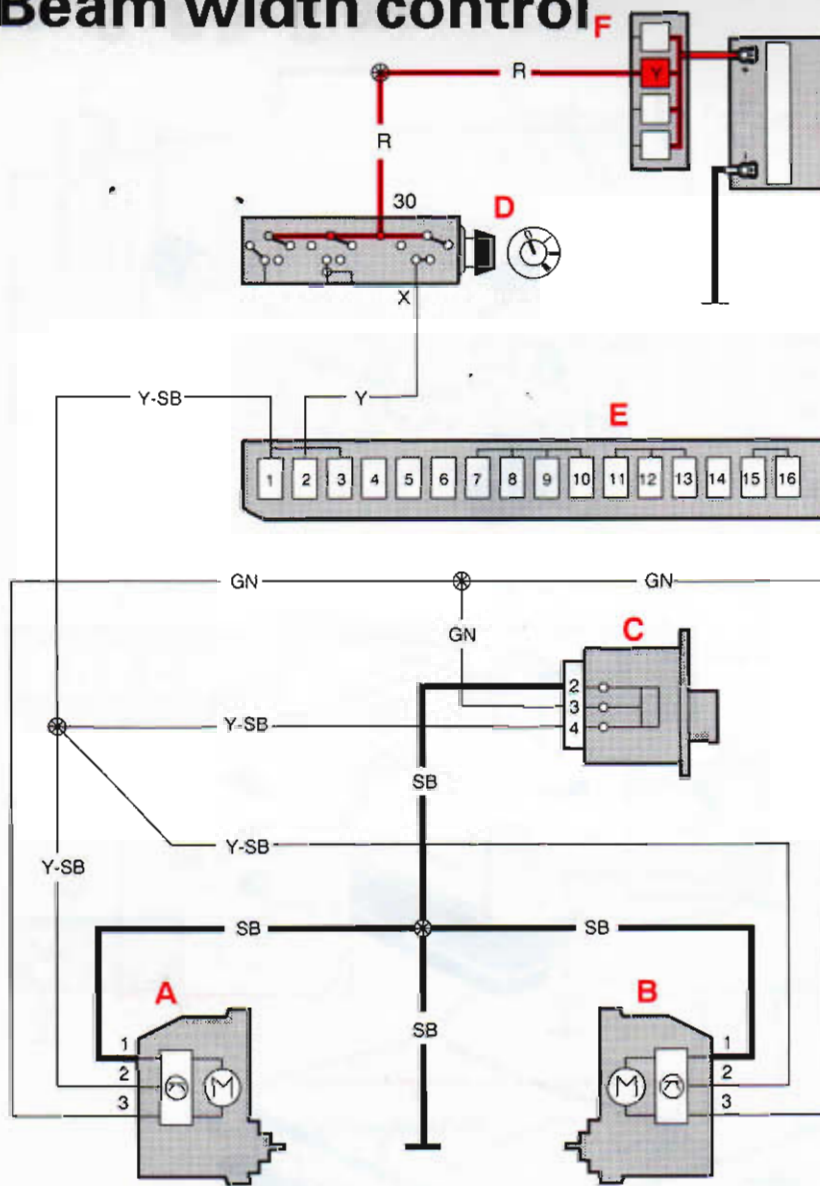
Headlight switch and rear foglight switch ON



Rear foglights

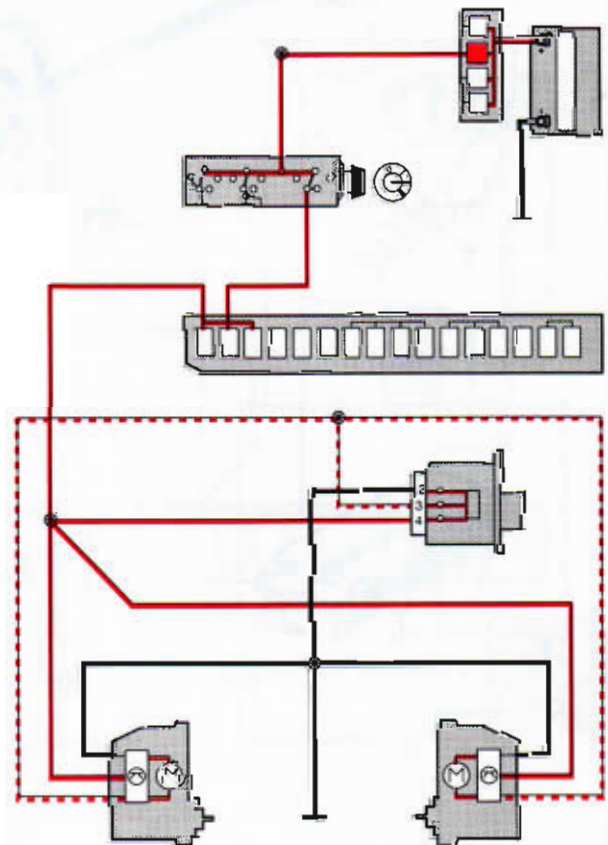


Beam width control

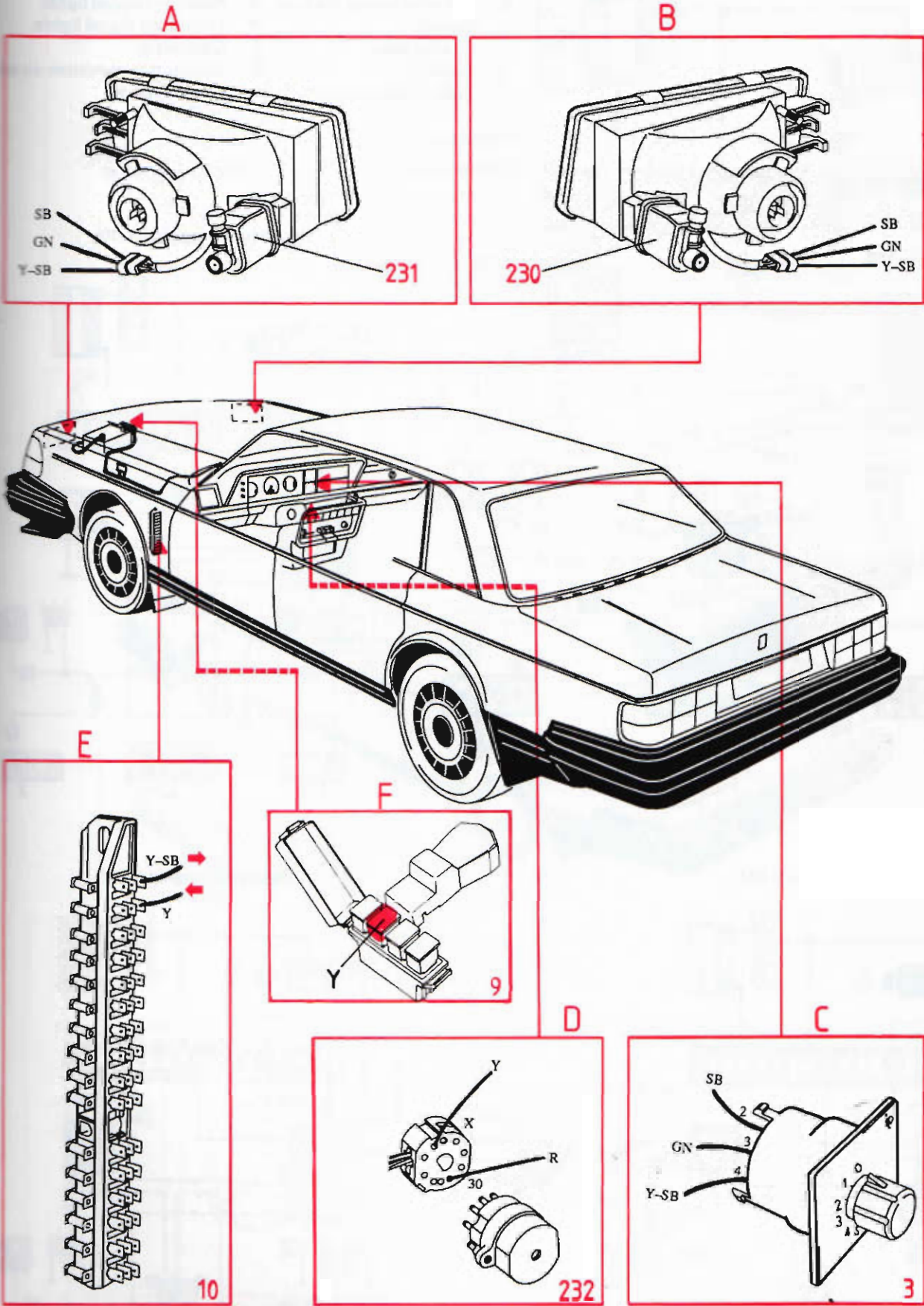


- A** Actuator, left
- B** Actuator, right
- C** Regulator
- D** Ignition switch
- E** Fuse box
- F** Fuseholder B+

Changing the beam width



Beam width control

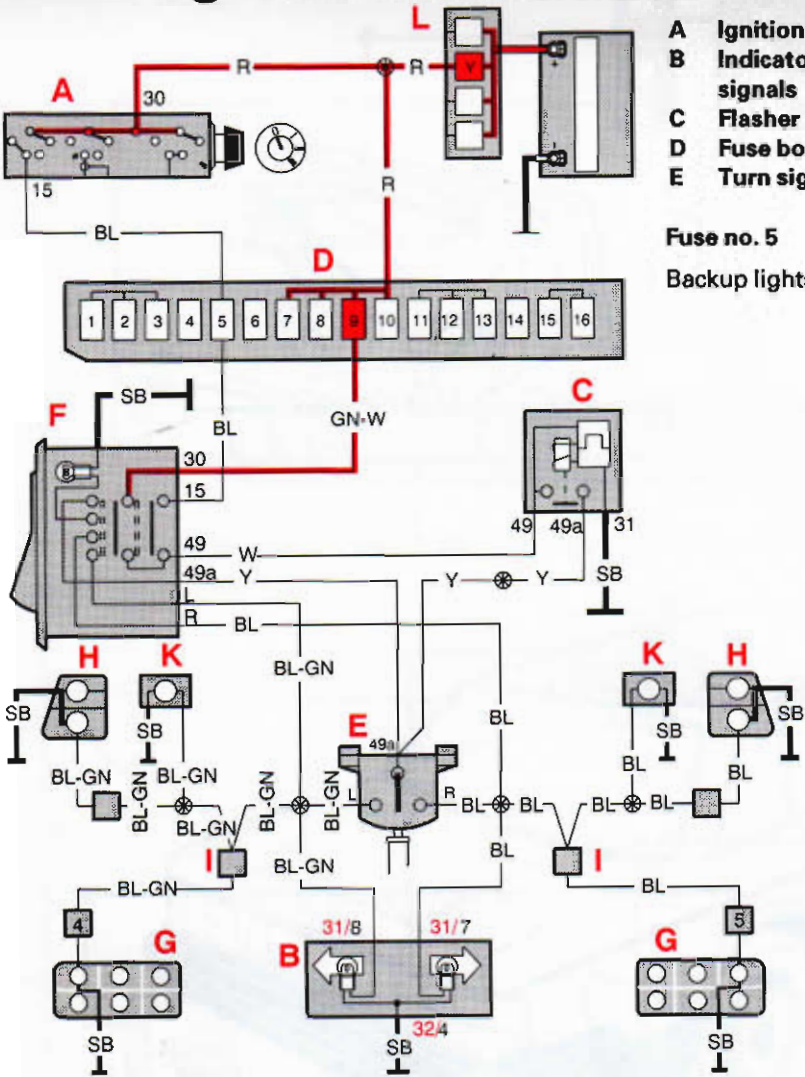


Turn signals and hazard warning flashers

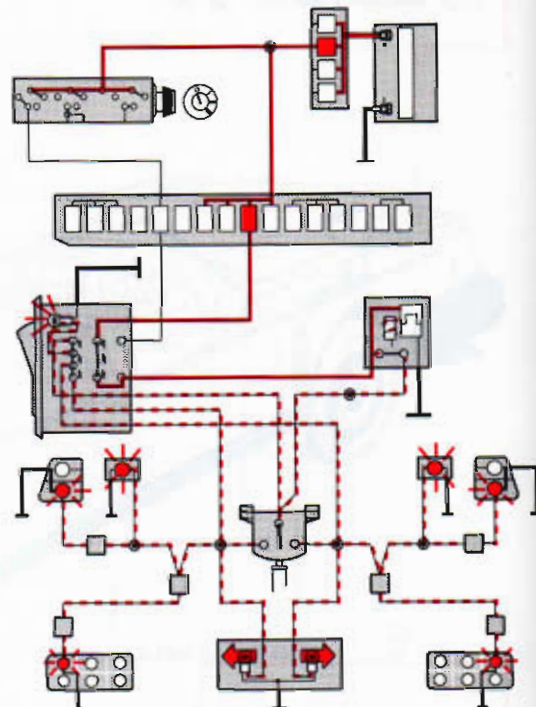
- A Ignition switch
- B Indicator lamps for turn signals
- C Flasher relay
- D Fuse box
- E Turn signal switch
- F Hazard warning flasher switch
- G Rear turn signal lights
- H Front turn signal lights
- I Connector
- K Turn signal repeaters on wings
- L Fuseholder B+

Fuse no. 5
Backup lights

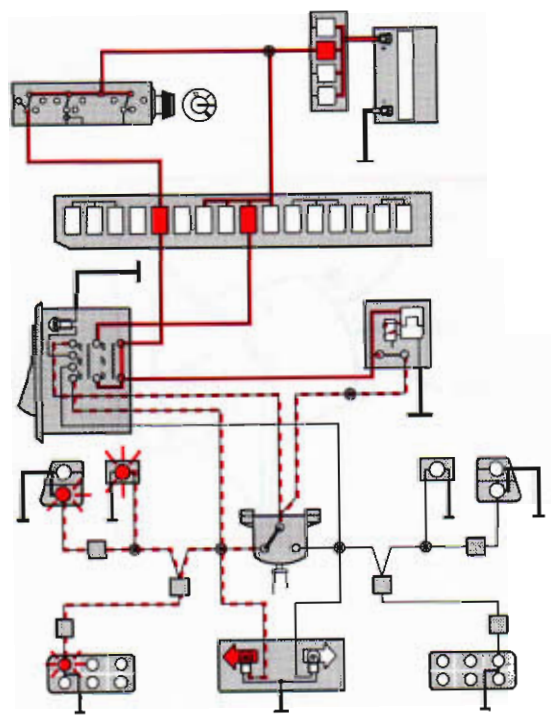
Fuse no. 9
No other functions



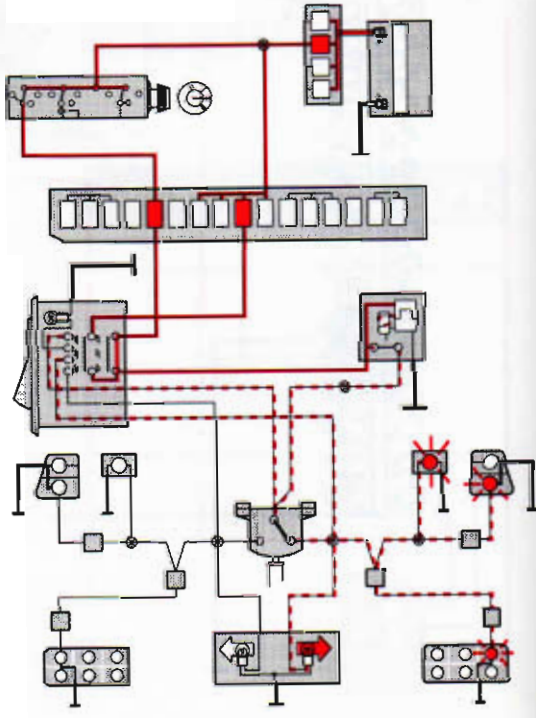
Hazard warning lights ON



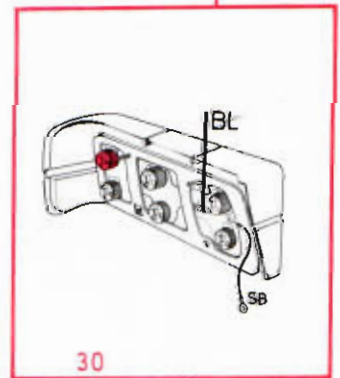
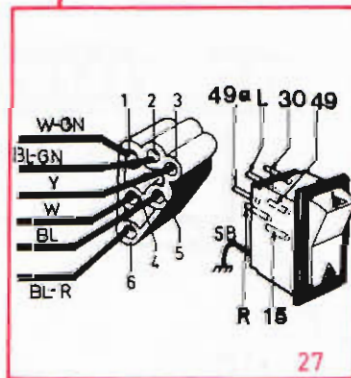
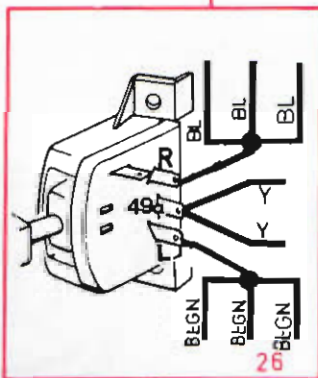
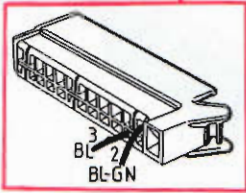
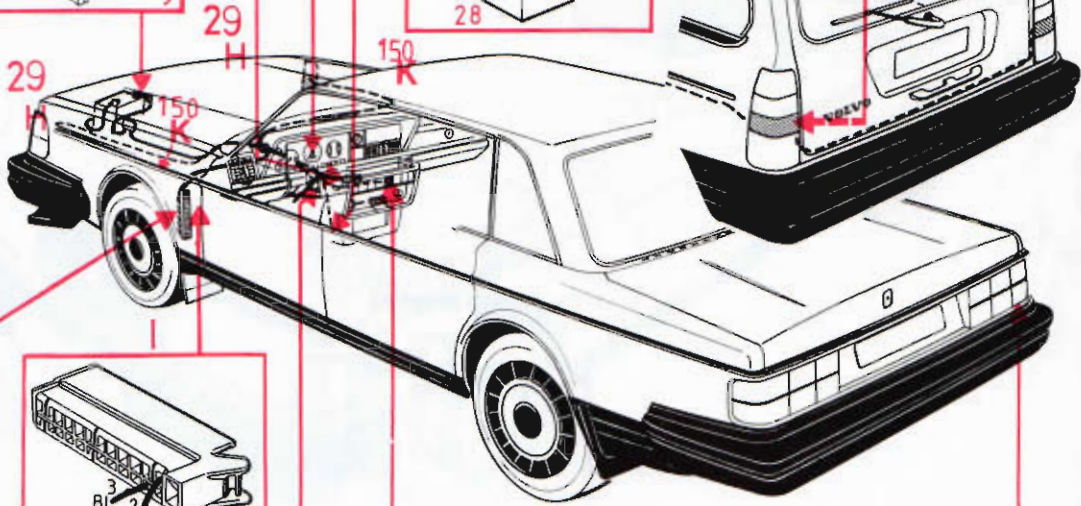
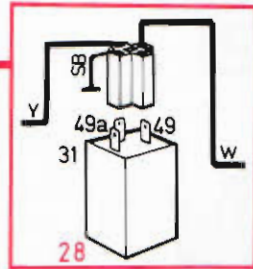
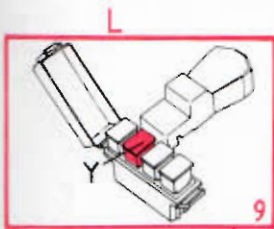
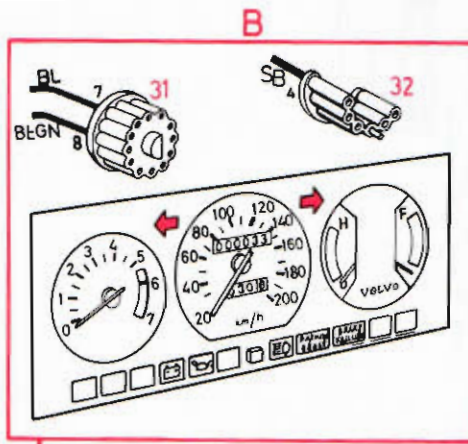
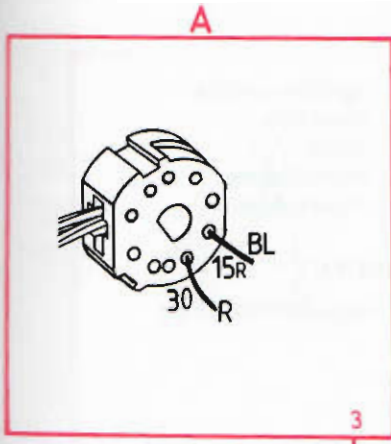
Left turn signal ON



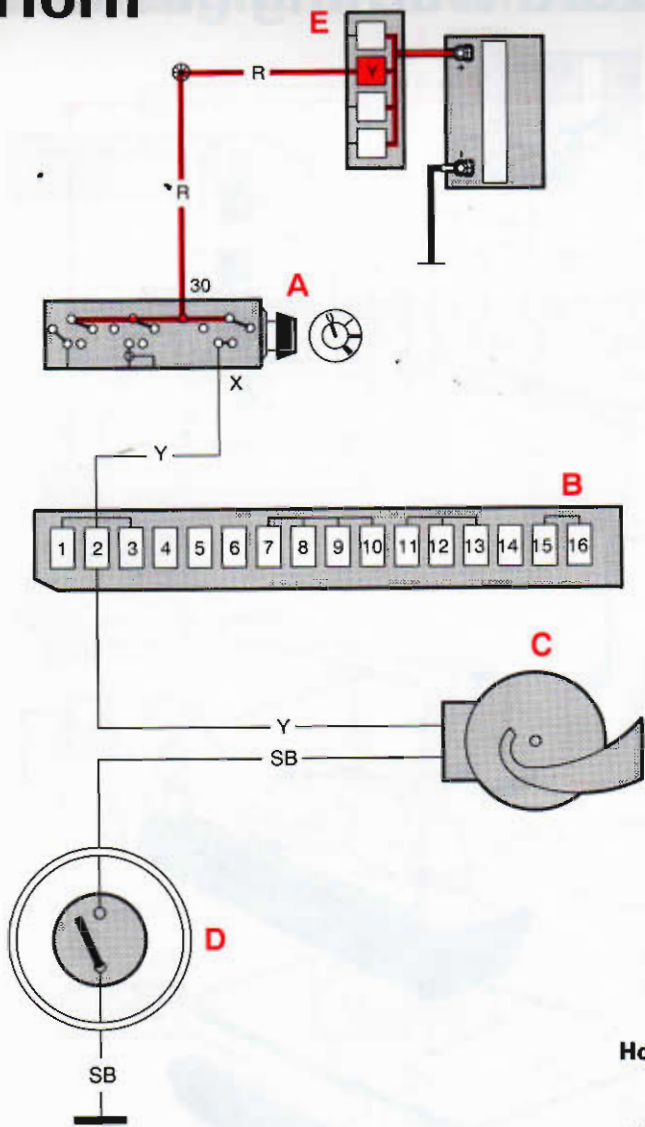
Right turn signal ON



Turn signals and hazard warning flashers

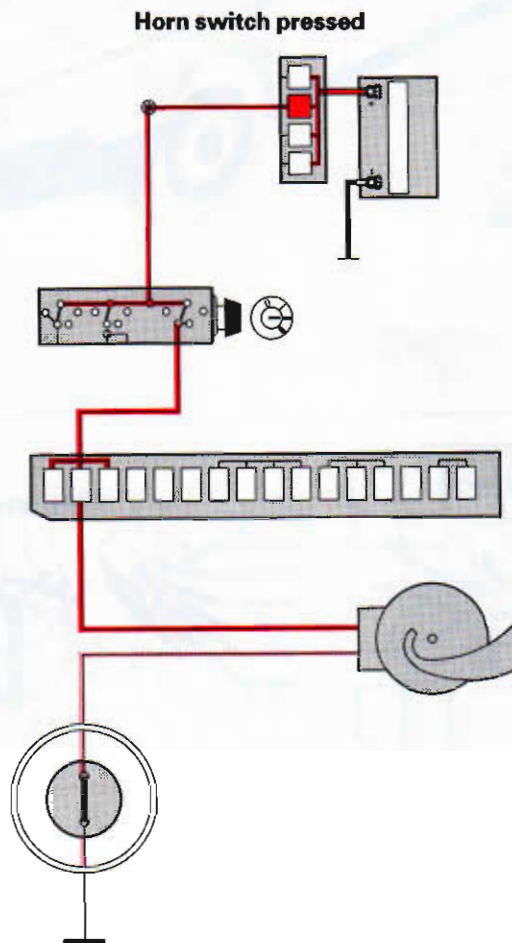


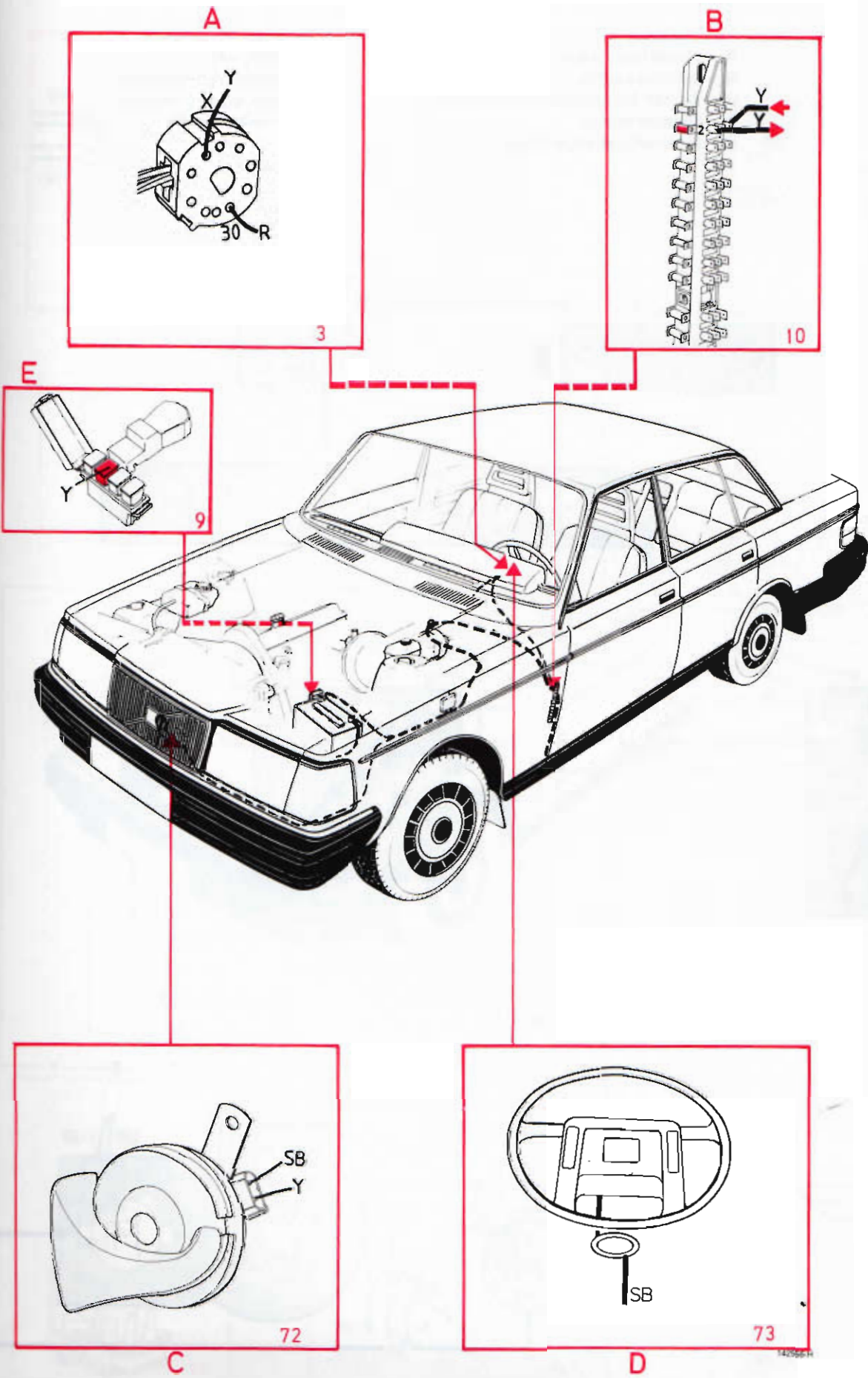
Horn



- A** Ignition switch
- B** Fuse box
- C** Horn
- D** Horn button
- E** Fuseholder B+

Fuse No. 2
Windshield wash/wipe





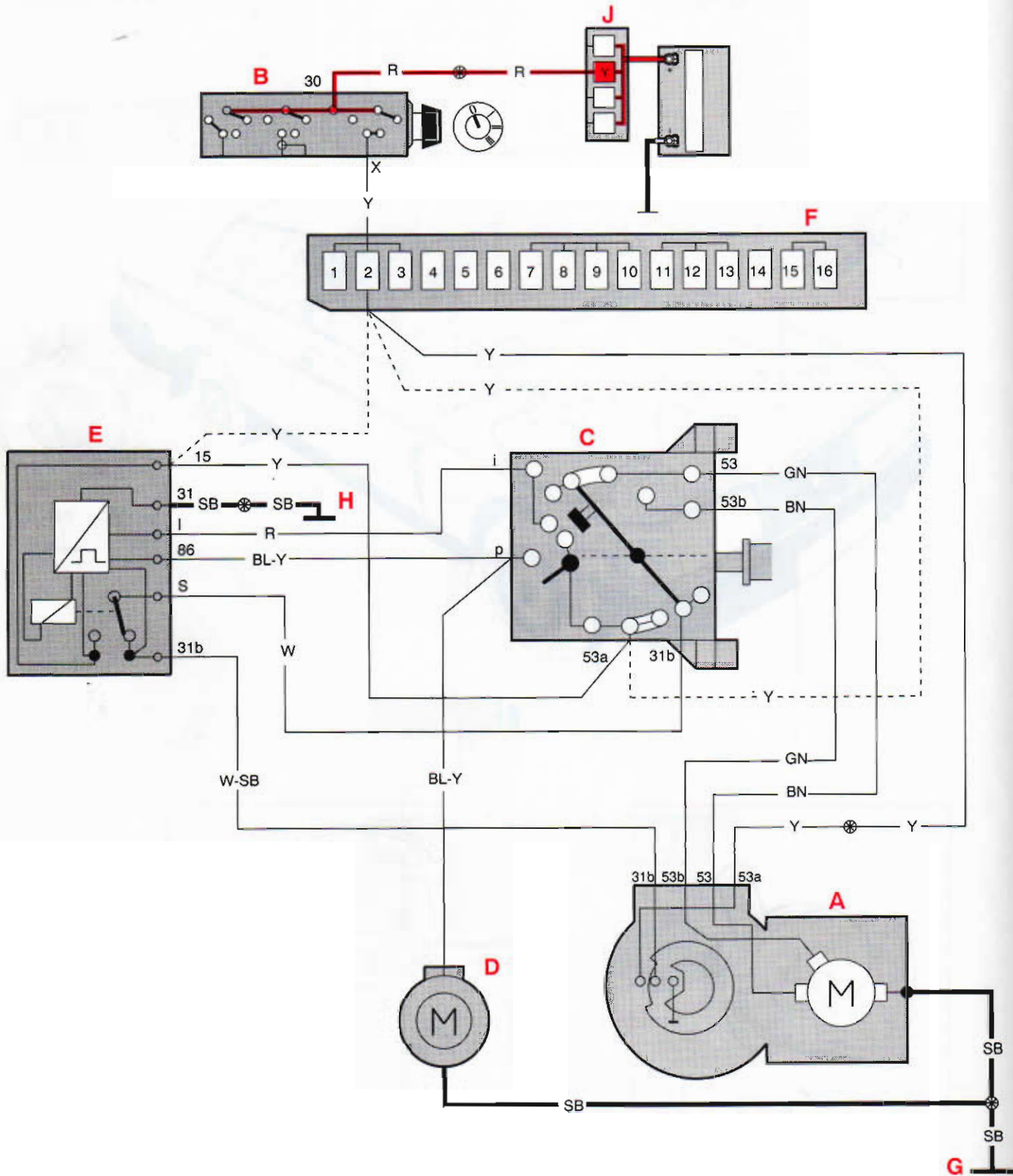
Windshield wash/wipe

- A** Windshield wiper motor
- B** Ignition switch
- C** Switch for windshield wash/wipe
- D** Washer motor
- E** Intermittent wiper relay

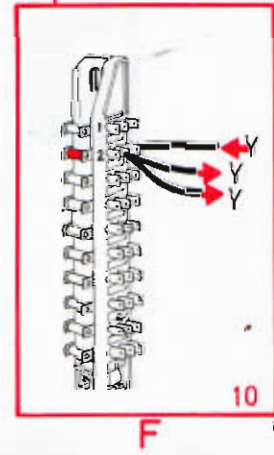
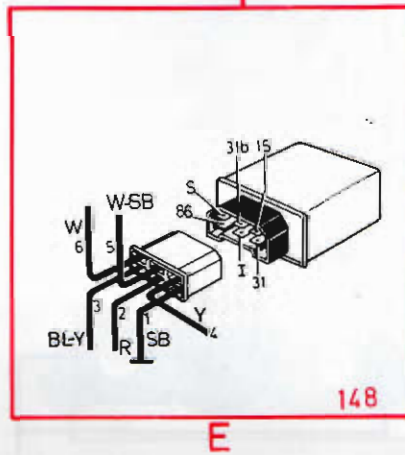
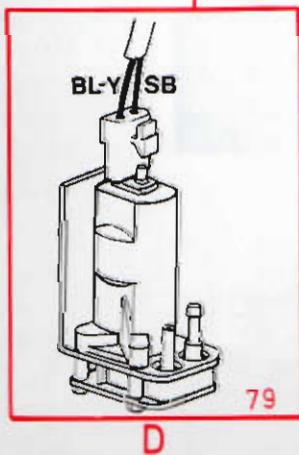
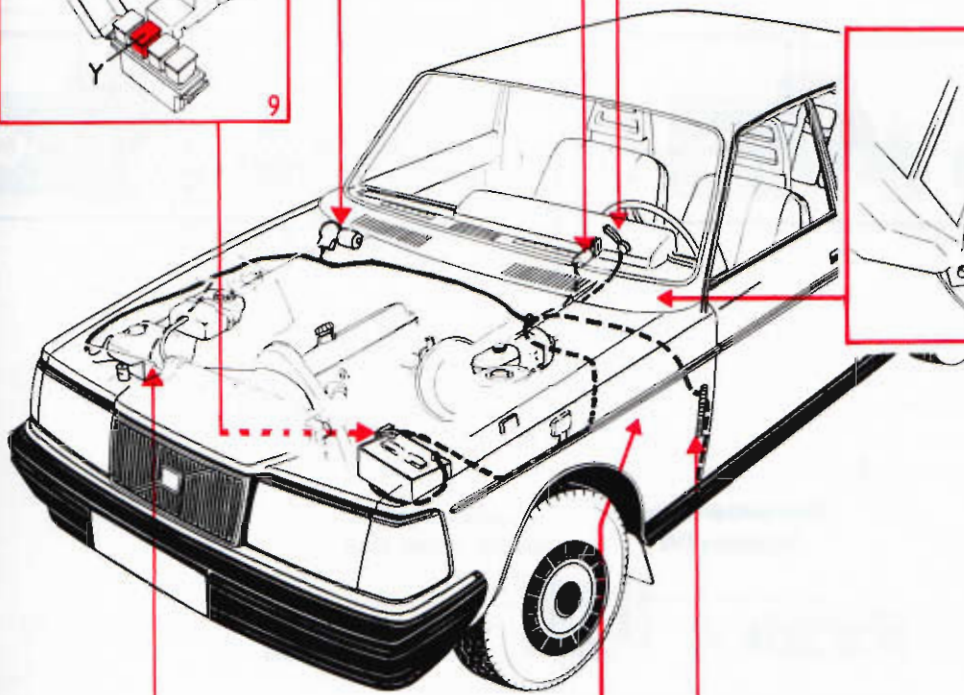
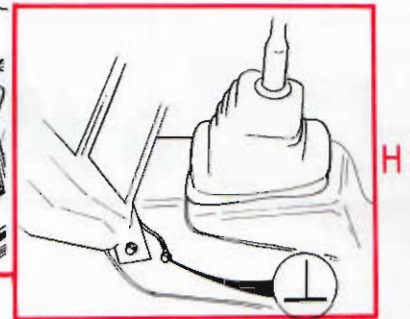
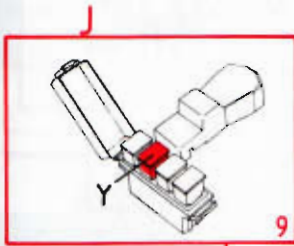
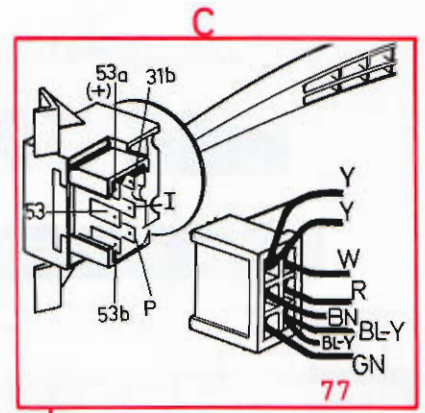
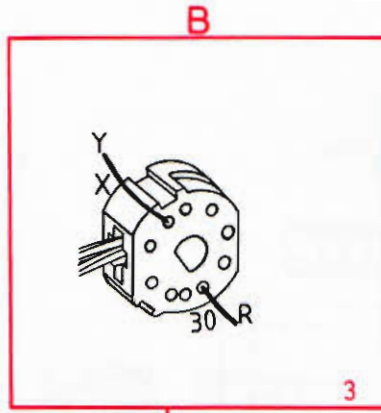
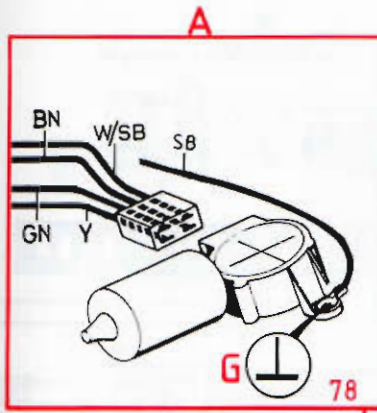
- F** Fuse box
- G** Ground connection
- H** Ground connection
- J** Fuseholder B+

Fuse no. 2

Horn



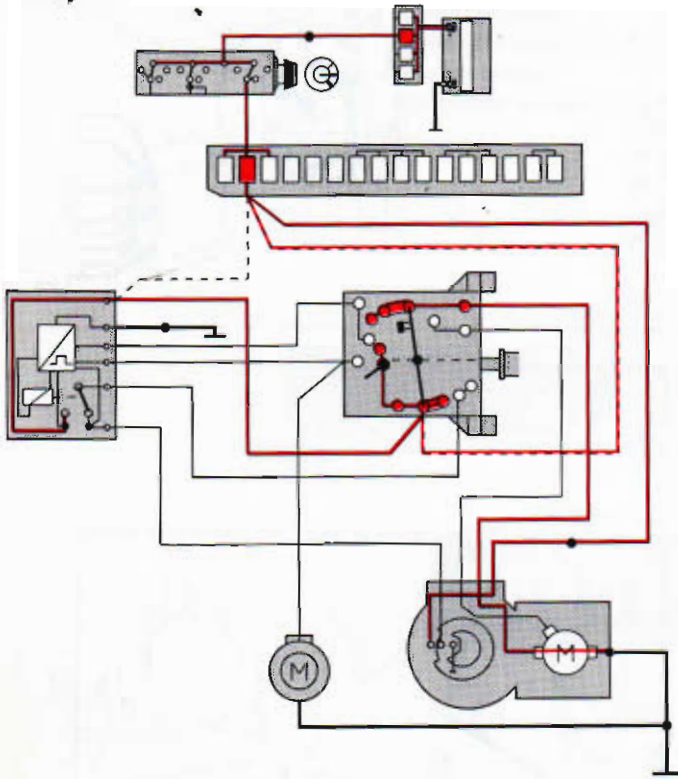
Windshield wash/wipe



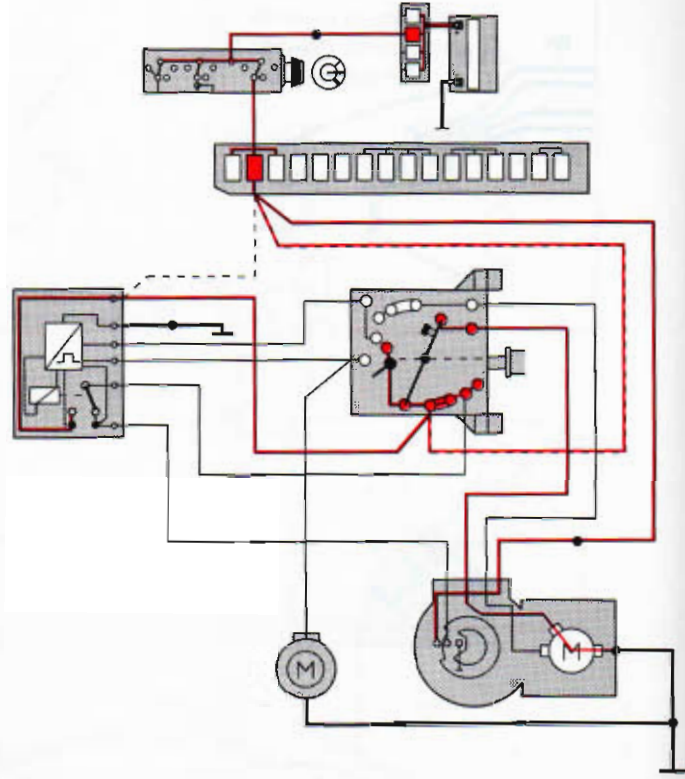
14259F-H

Windshield wash/wipe

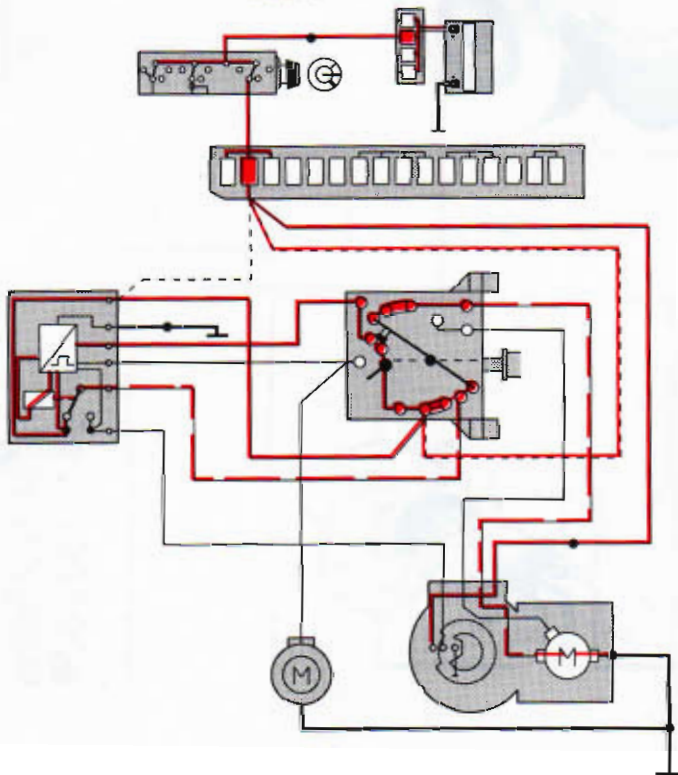
1
Speed 1



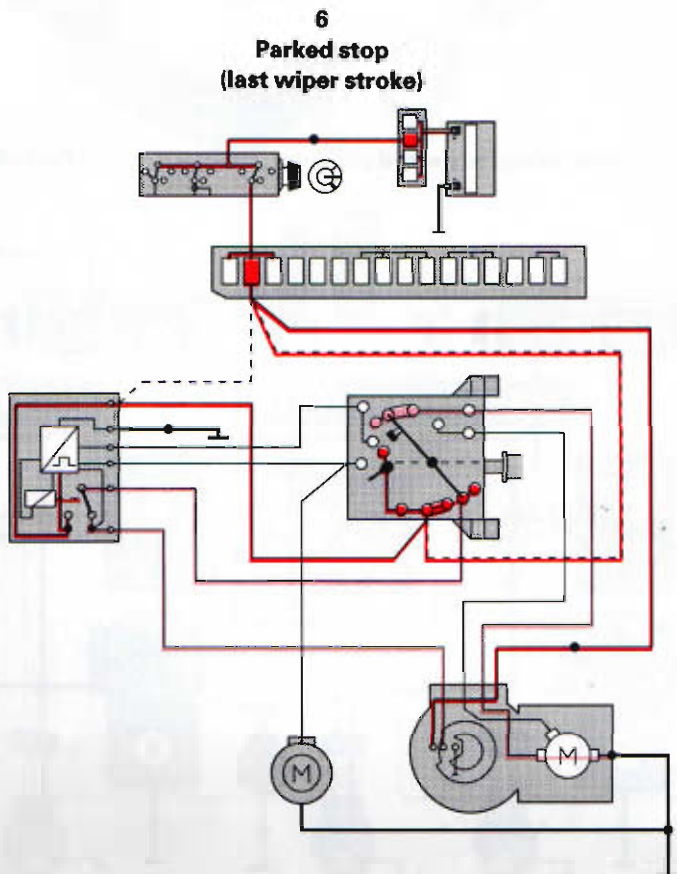
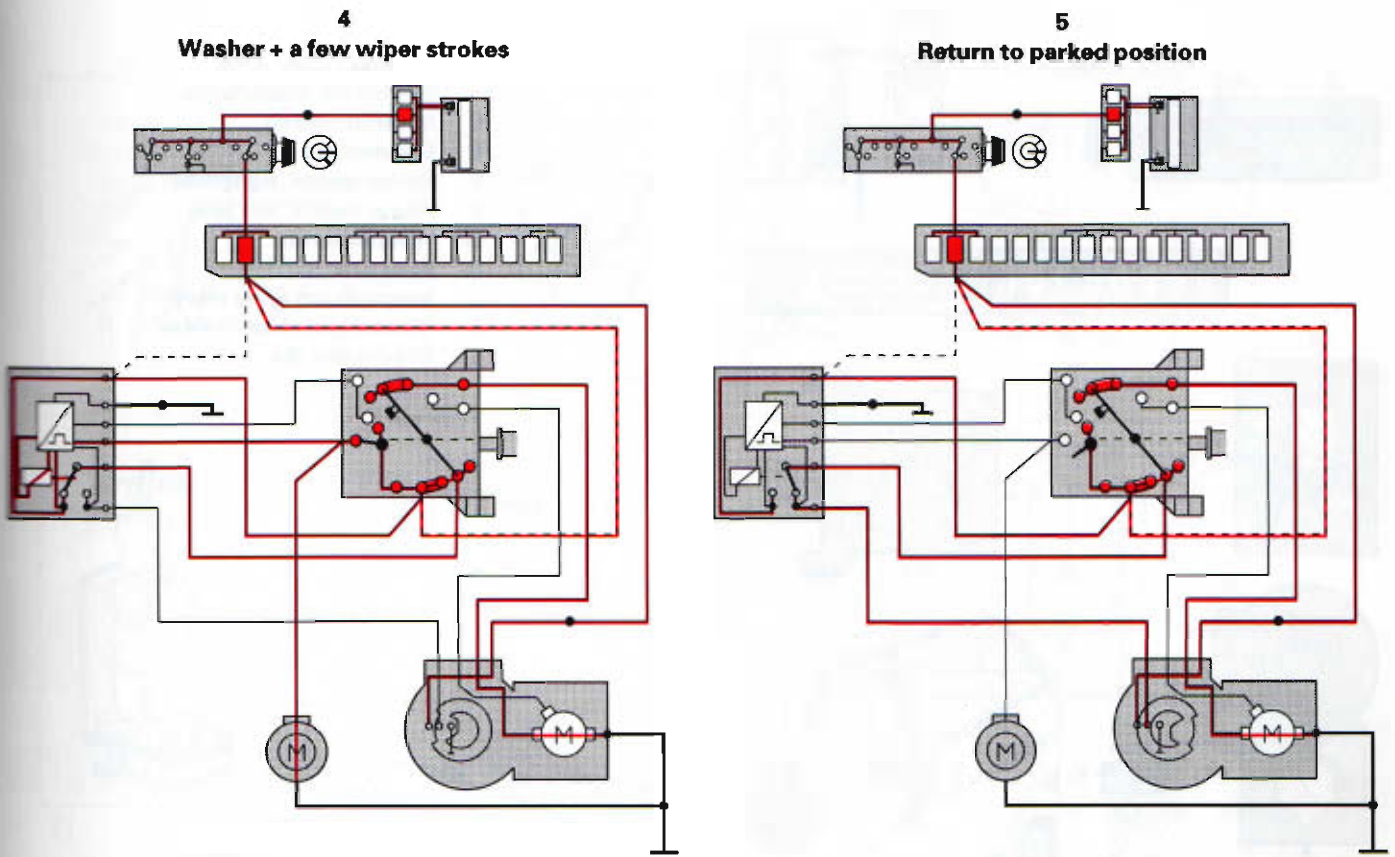
2
Speed 2



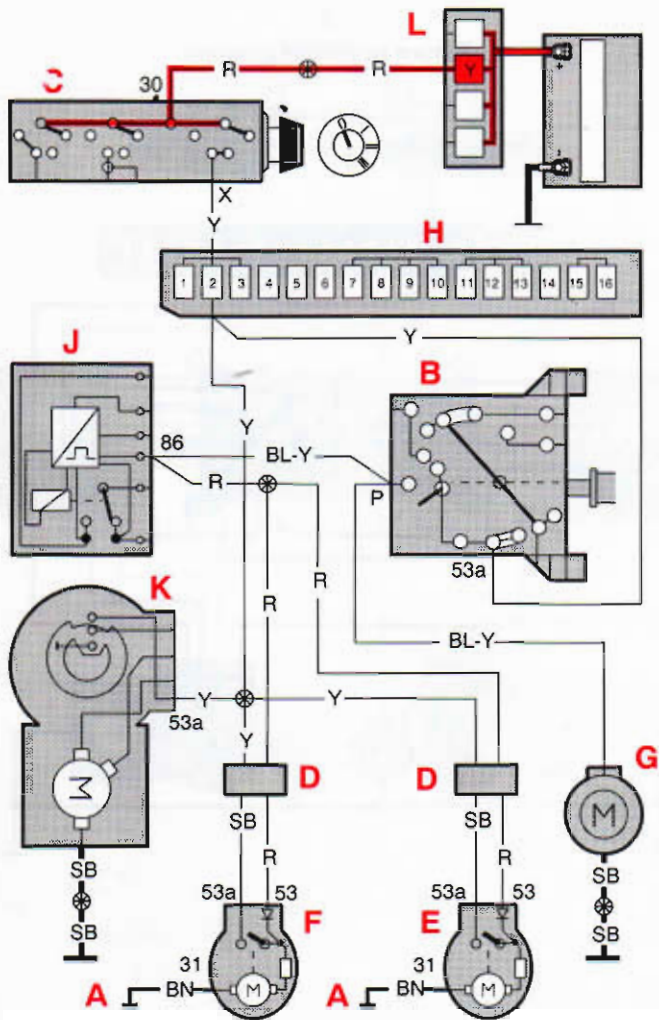
3
Intermittent wipe
function ON



Windshield wash/wipe



Headlight wash/wipe



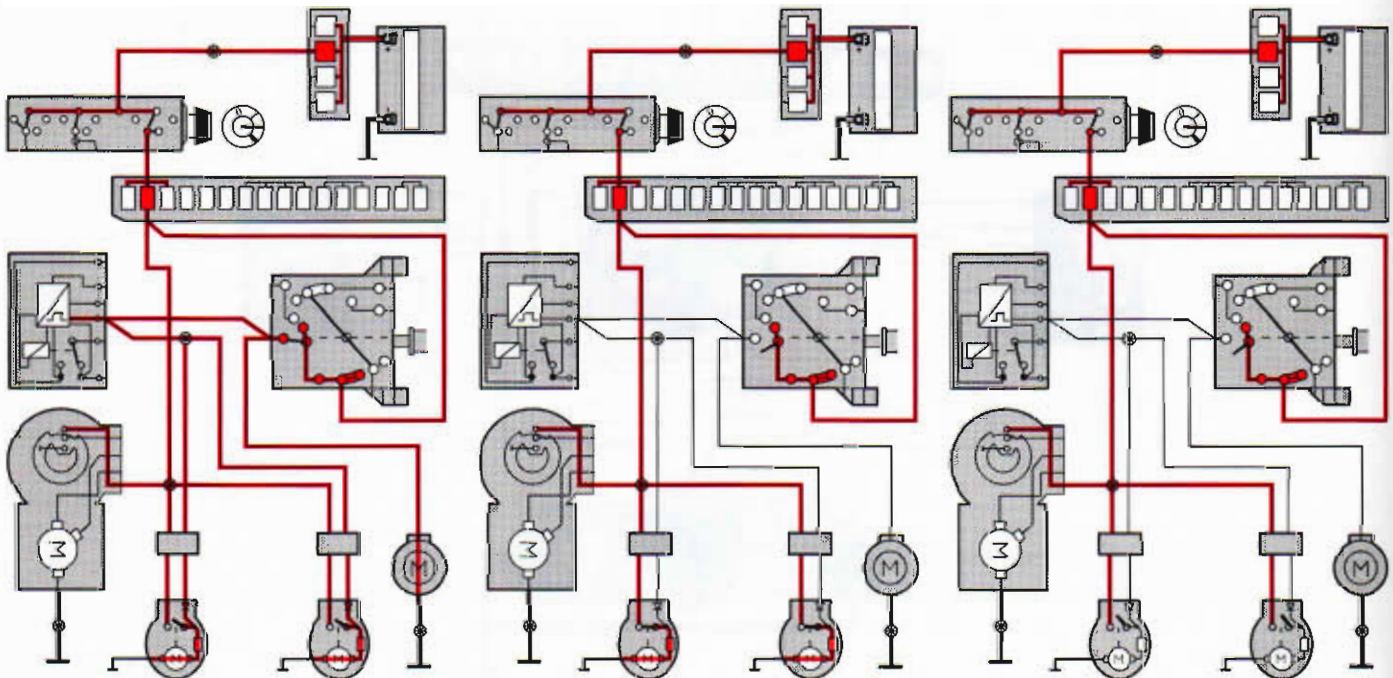
- A Ground connection
- B Switch for wash/wipe
- C Ignition switch
- D Connectors
- E Wiper motor, right side
- F Wiper motor, left side
- G Washer motor
- H Fuse box
- J Intermittent wiper relay
- K Windshield wiper motor
- L Fuseholder B+

Fuse no. 2
Horn

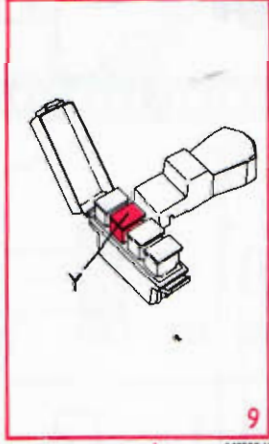
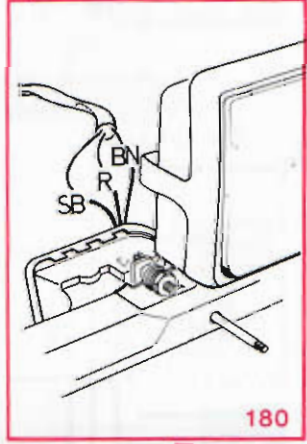
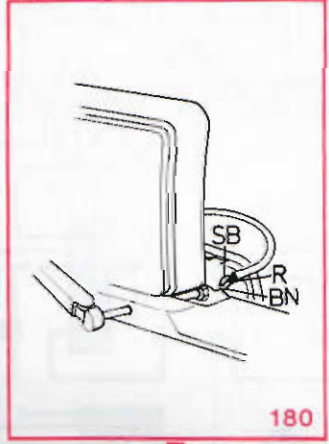
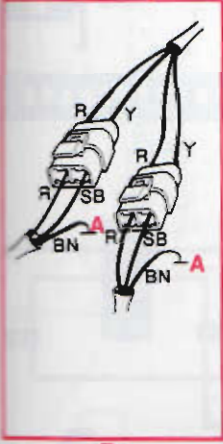
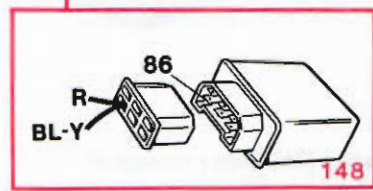
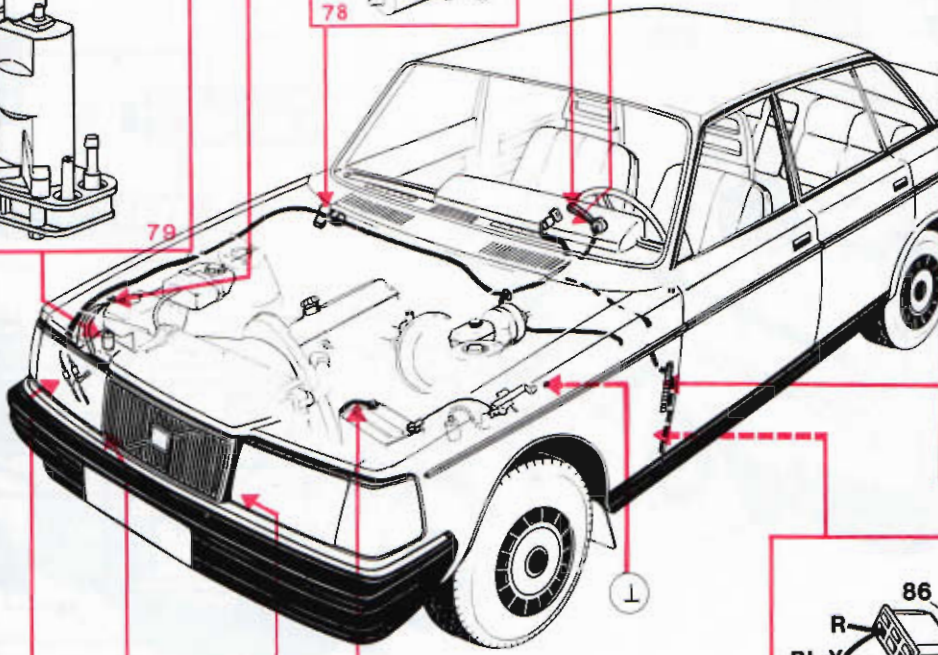
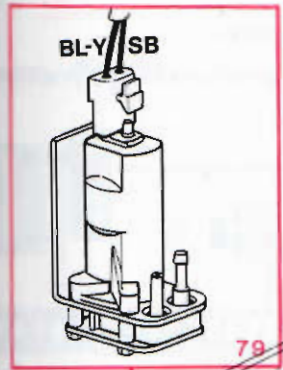
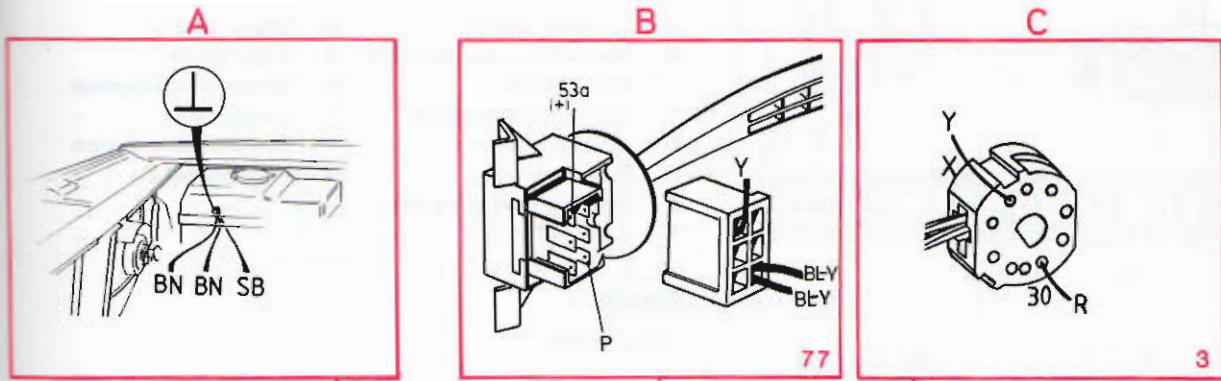
Wipers and washers ON

Wipe, return to parked position

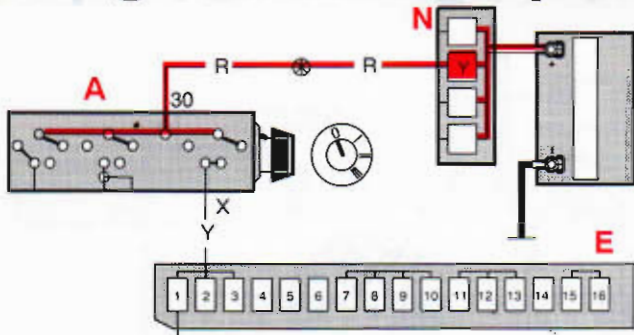
Parked position



Headlight wash/wipe

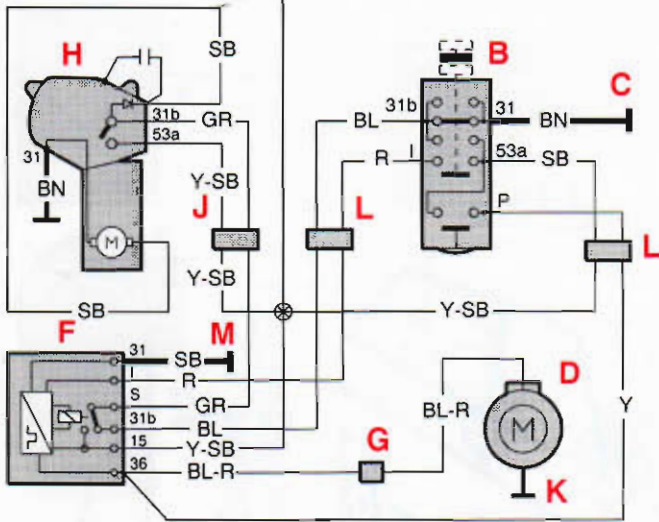


Tailgate wash/wipe with intermittent relay

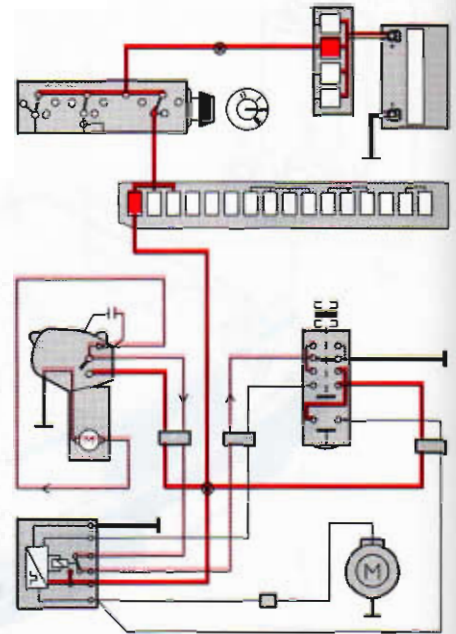


- A Ignition switch
- B Switch for rear window wash/wipe
- C Ground connection
- D Washer motor
- E Fuse box
- F Intermittent wiper relay
- G Connector
- H Wiper motor
- J Connector
- K Ground connection
- L Connector
- M Ground connection
- N Fuseholder B+

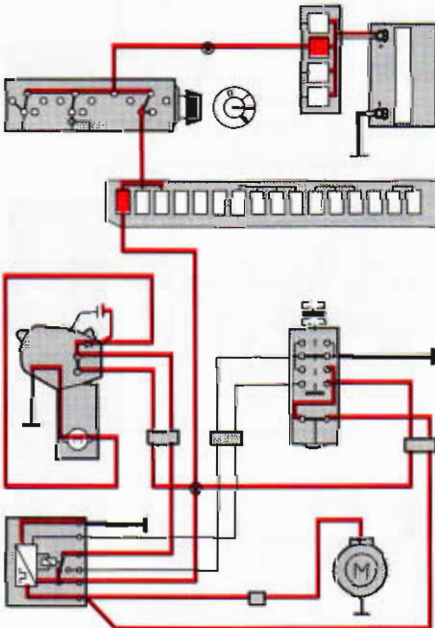
Fuse no. 1
Cigar lighter



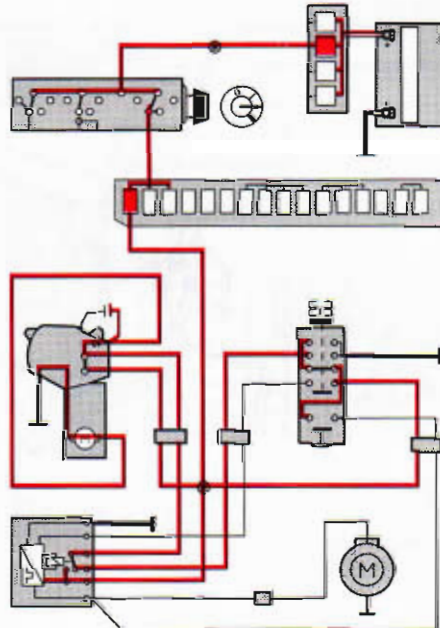
Parked position
(when wiper returns to stop position)



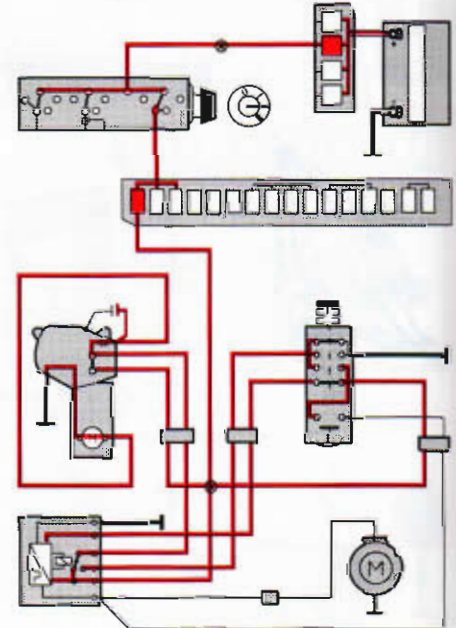
Washer motor ON, plus a couple of wiper strokes



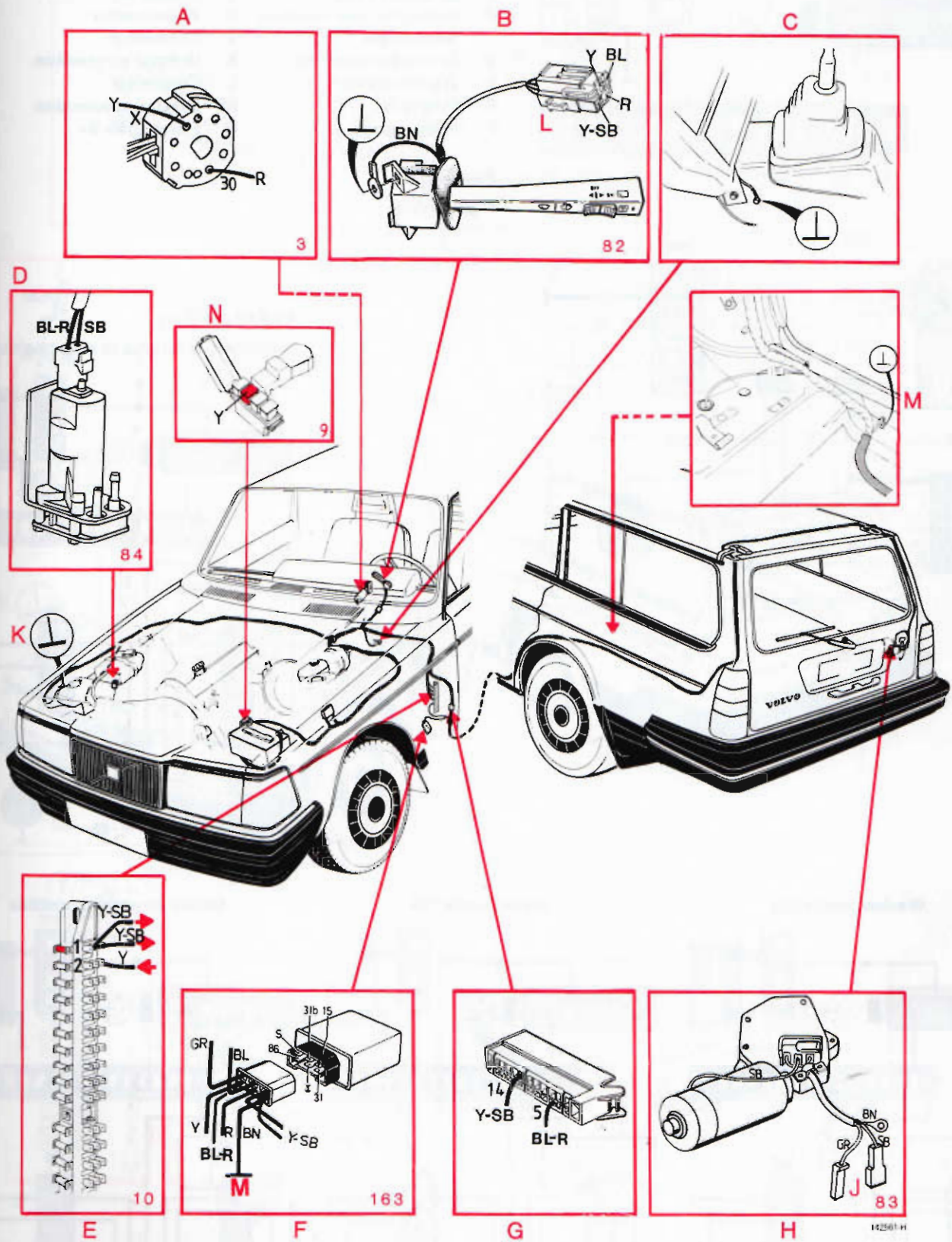
Wiper motor ON



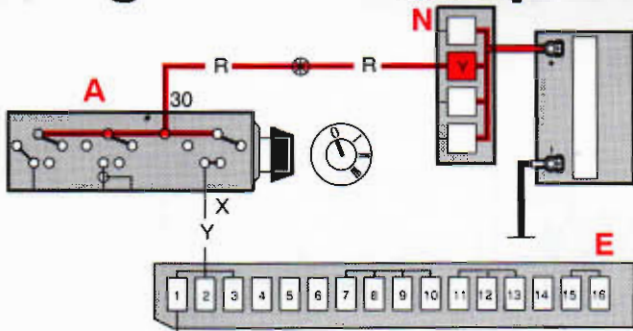
Intermittent wiping function ON



Tailgate wash/wipe with intermittent relay

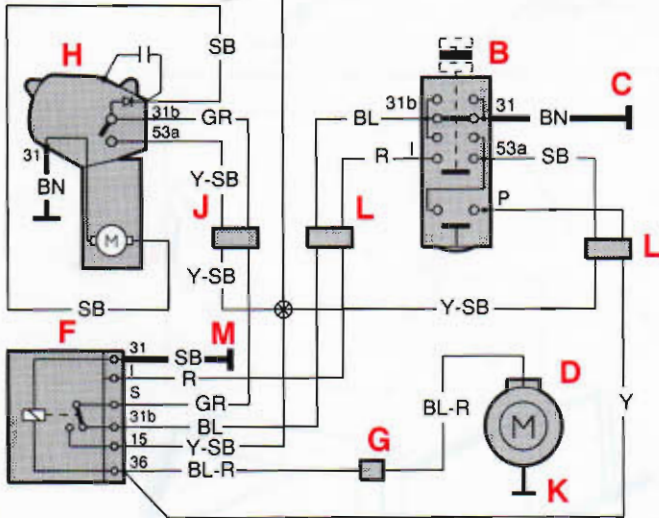


Tailgate wash/wipe without intermittent relay

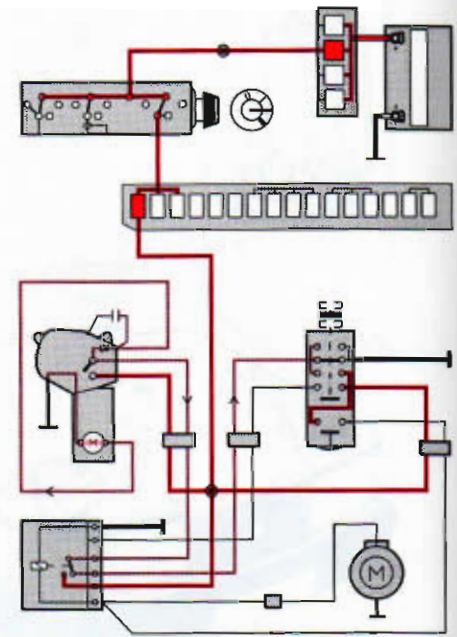


- | | |
|---|----------------------------|
| A Ignition switch | G Connector |
| B Switch for rear window wash/wipe | H Wiper motor |
| C Ground connection | J Connector |
| D Washer motor | K Ground connection |
| E Fuse box | L Connector |
| F Wiper relay | M Ground connection |
| | N Fuseholder B+ |

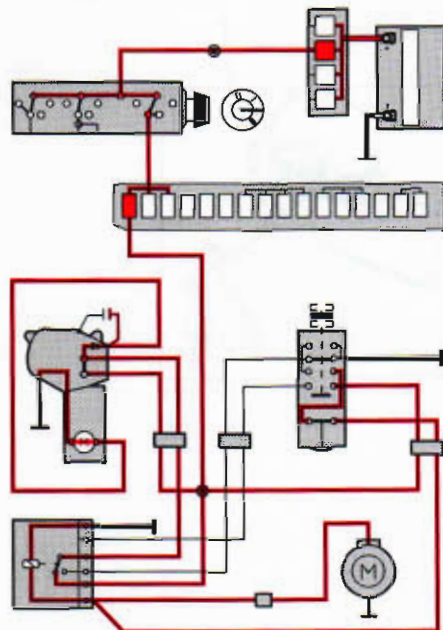
Fuse no. 1
Cigar lighter



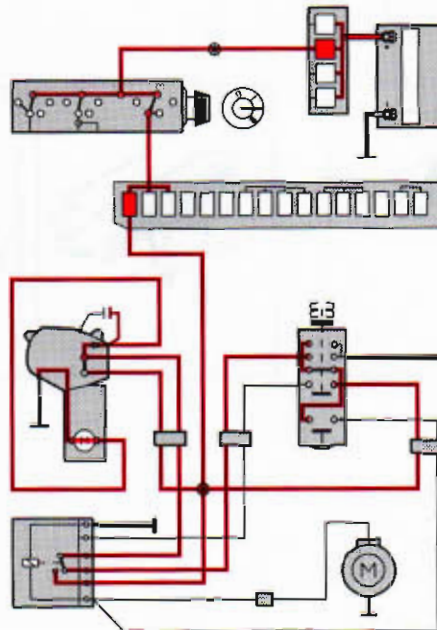
Parked position
(when wiper returns to stop position)



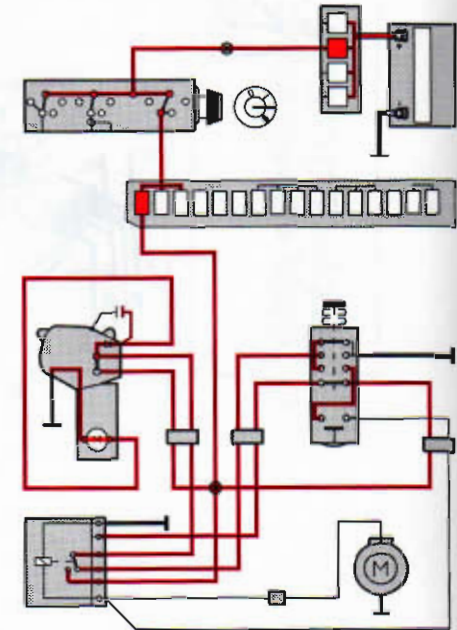
Washer motor ON



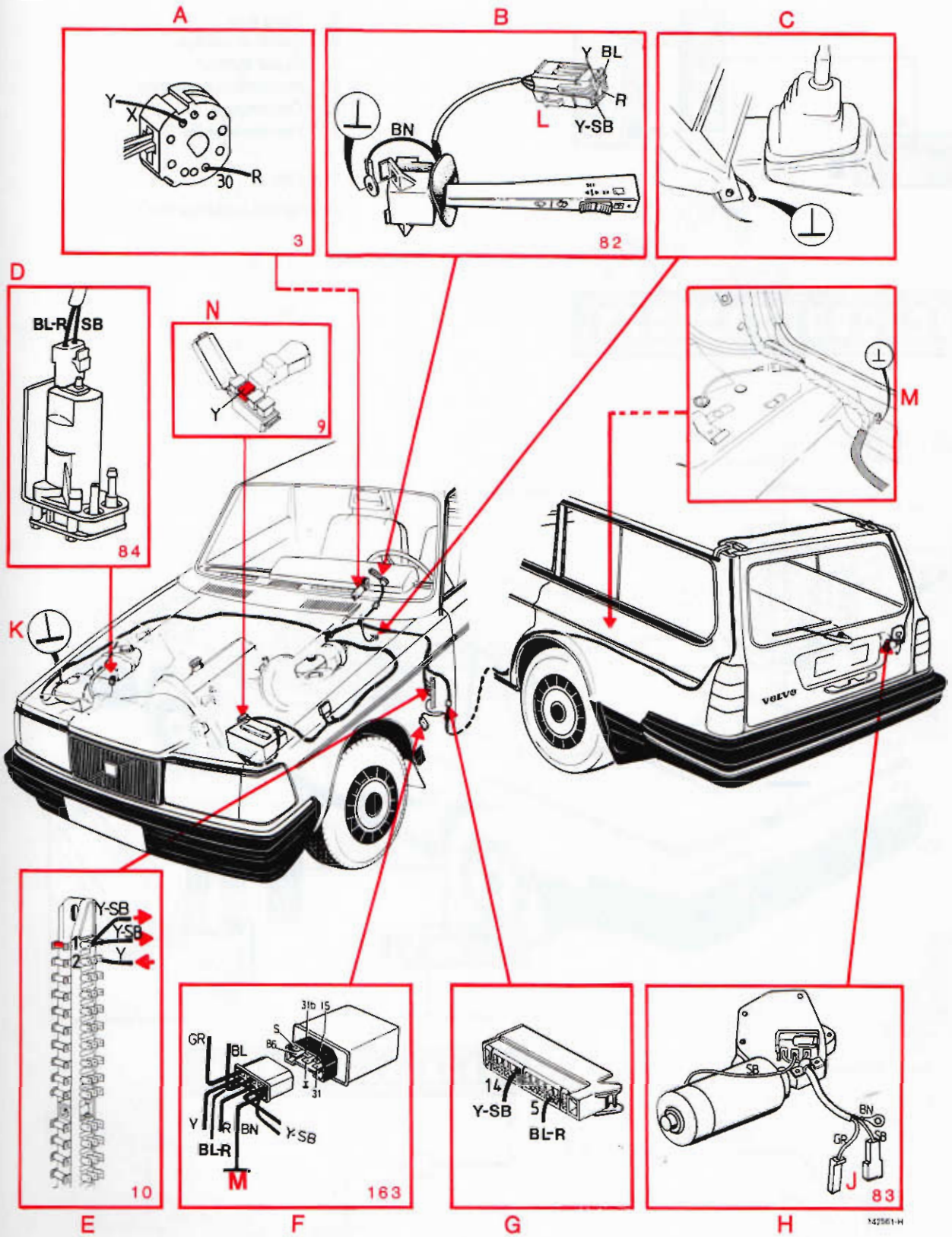
Wiper motor ON



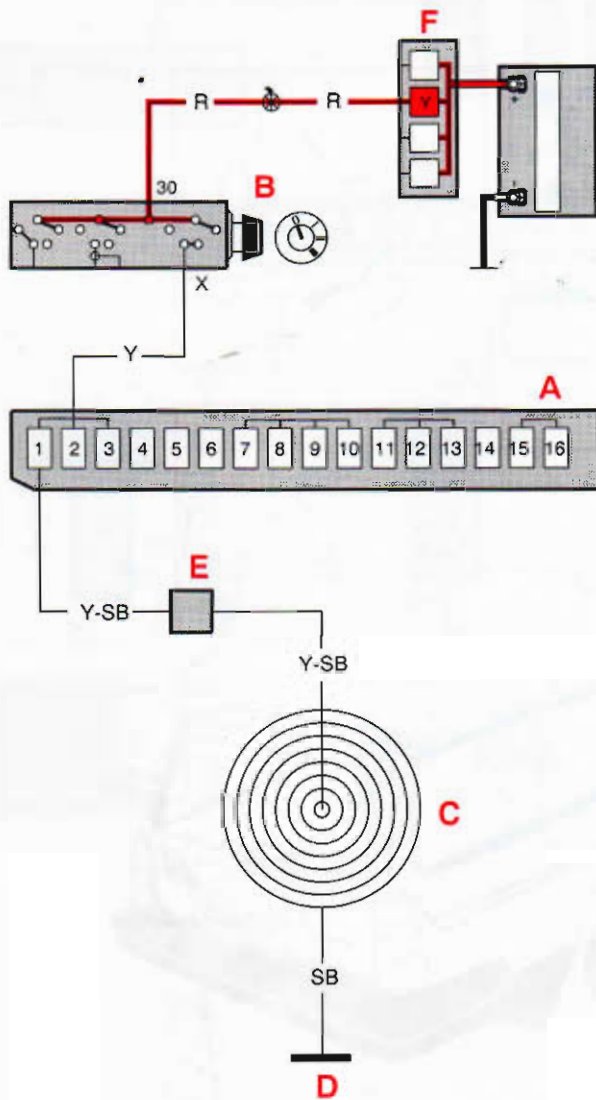
Return to parked position



Tailgate wash/wipe without intermittent relay

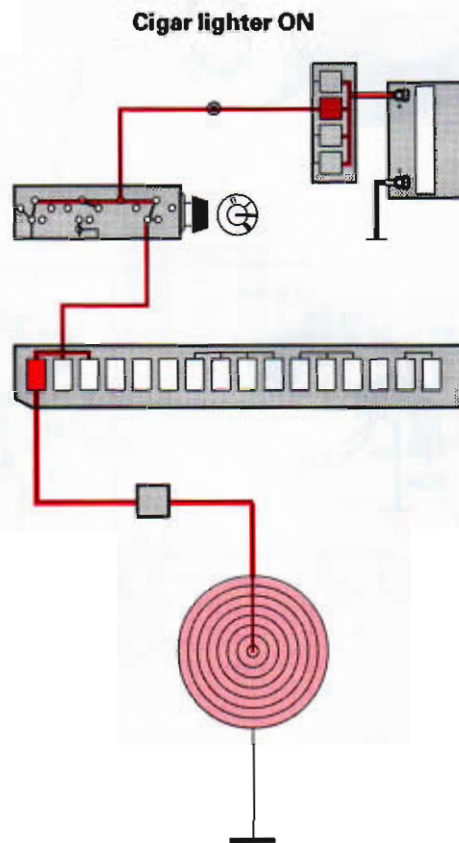


Cigar lighter

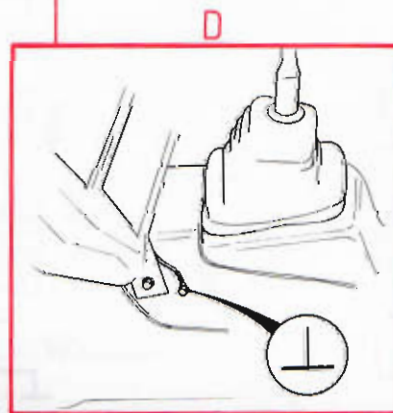
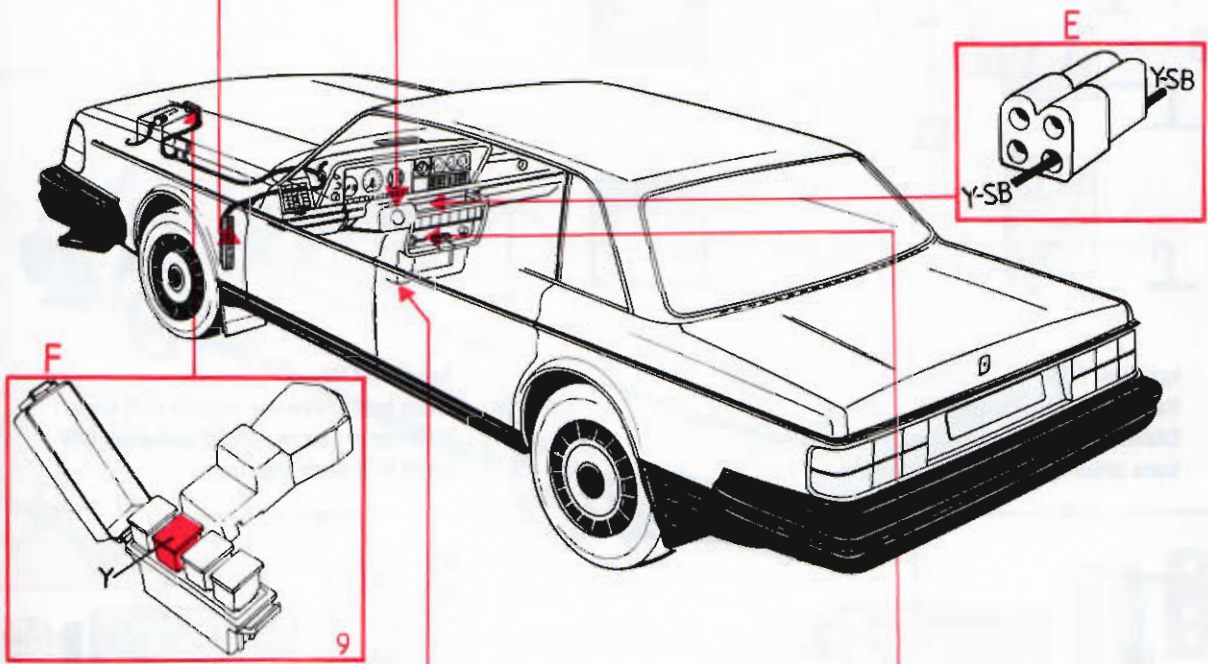
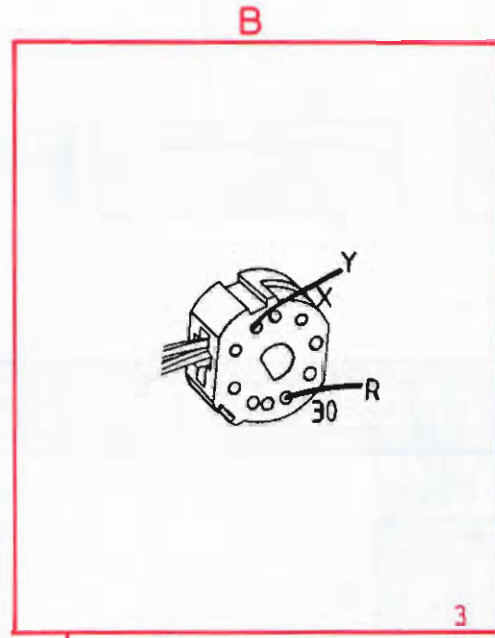
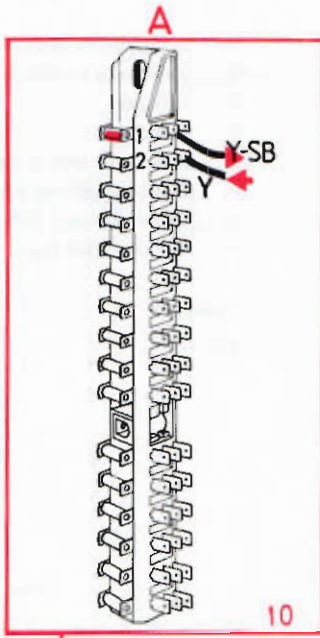


- A** Fuse box
- B** Ignition switch
- C** Cigar lighter
- D** Ground connection
- E** Connector
- F** Fuseholder B+

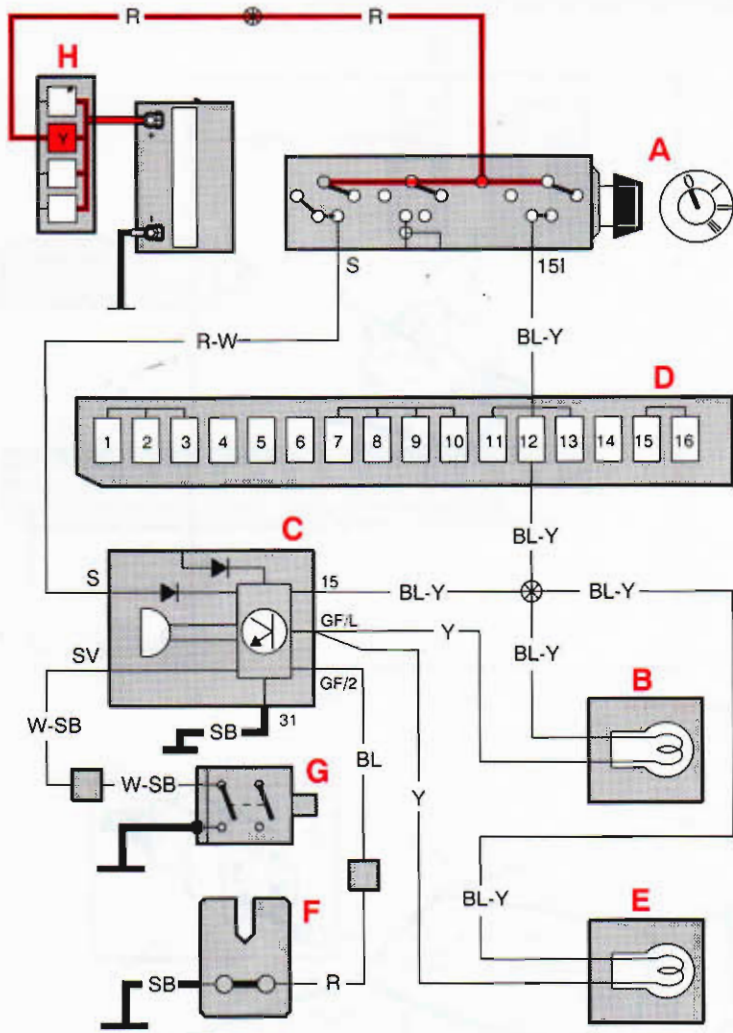
Fuse No. 1
Windshield wash/wipe



Cigar lighter



Seat belt/ignition key reminder, USA

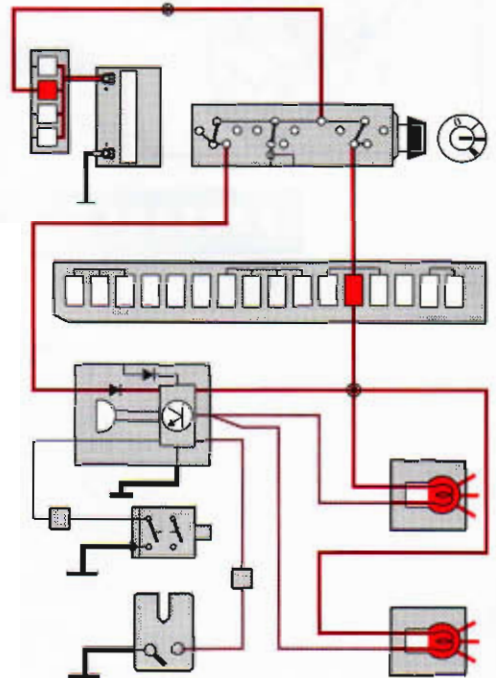
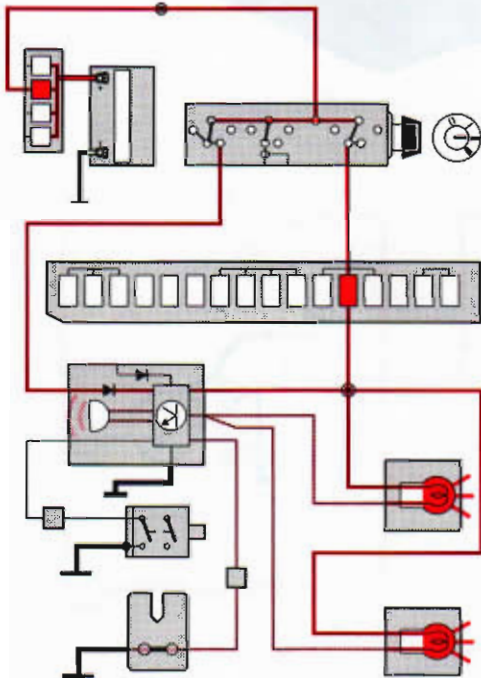


- A** Ignition switch
- B** Indicator lamp, front belt
- C** Chime
- D** Fuse box
- E** Indicator lamp, rear seat
- F** Switch, driver's belt
- G** Door switch, left front
- H** Fuseholder B+

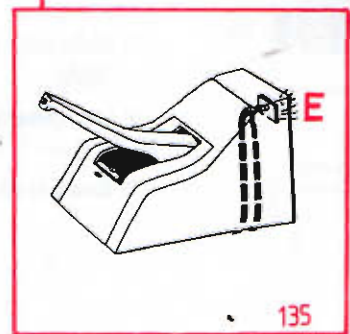
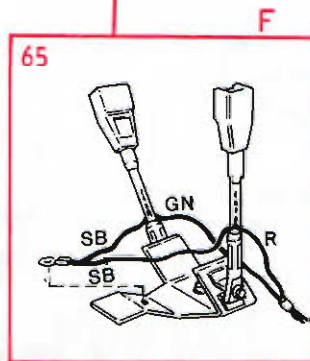
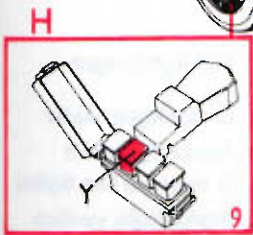
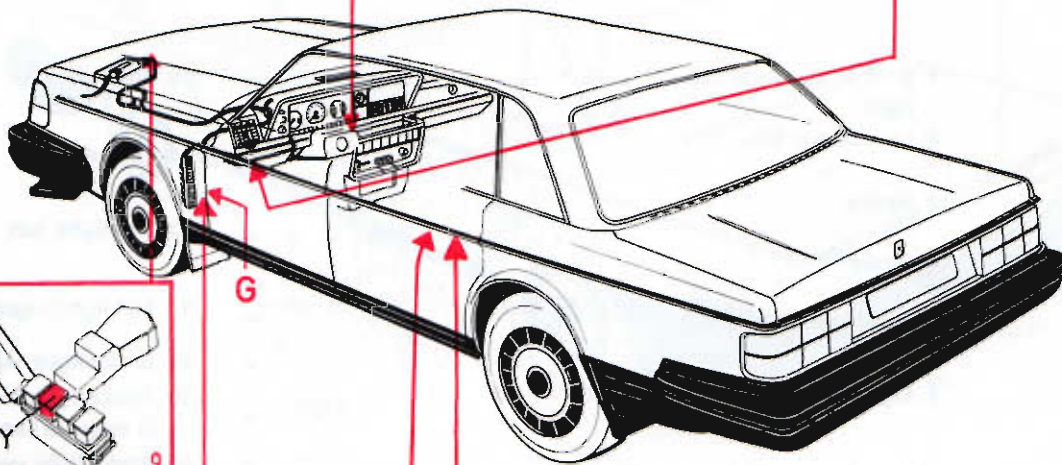
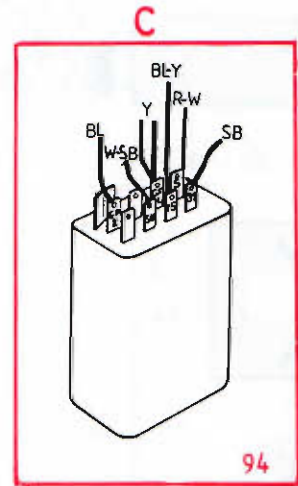
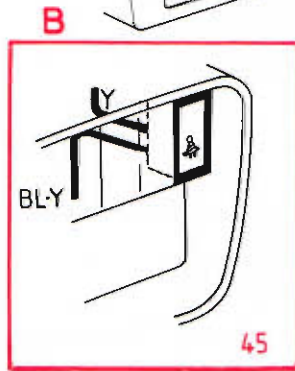
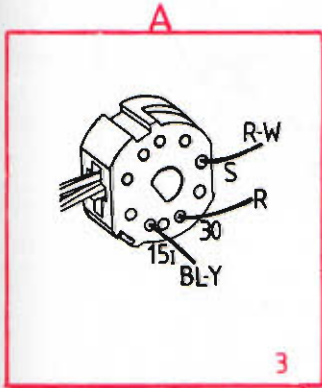
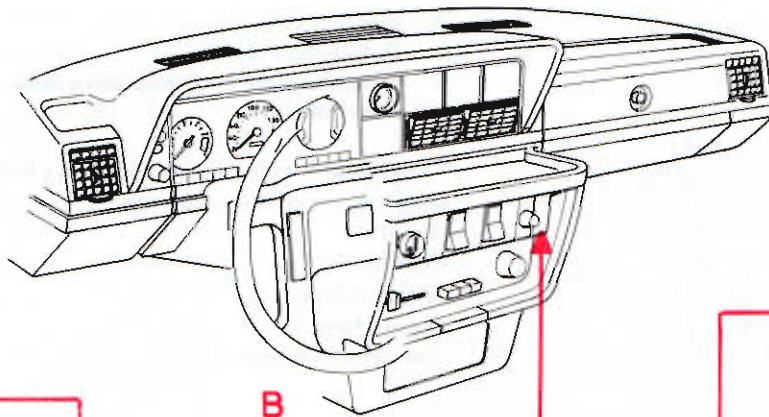
Fuse No. 12
A/C unit

Ignition ON
Seat belt unfastened
Chimer and light activated for 4-8 secs after ignition is turned on.

Ignition ON
Seat belt fastened within 4-8 secs.
Chimer stops but light remains ON until 4-8 secs are up.

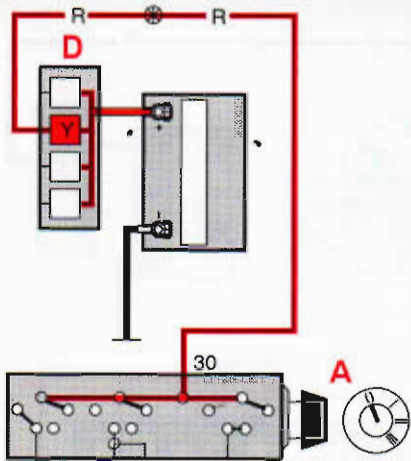


Seat belt/ignition key reminder, USA



142563-H

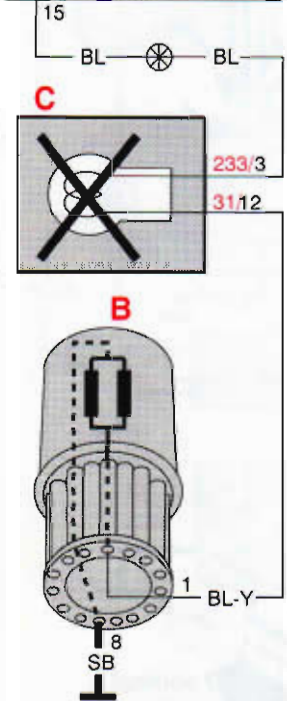
Bulb failure sensor



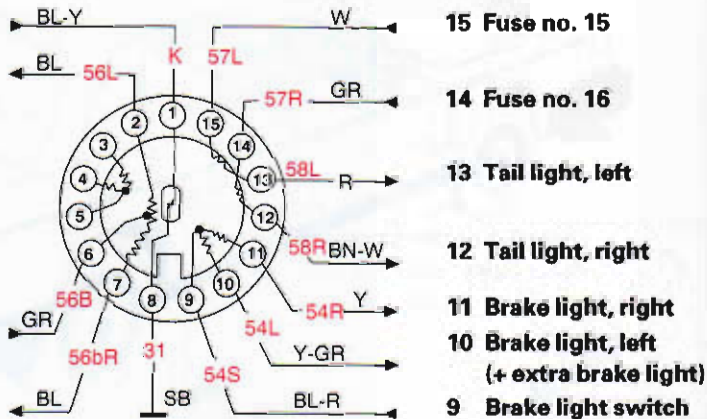
- A Ignition switch
- B Bulb failure sensor
- C Indicator light for inoperative bulb
- D Fuseholder B+

The indicator light comes on when a bulb blows in any of the following circuits:

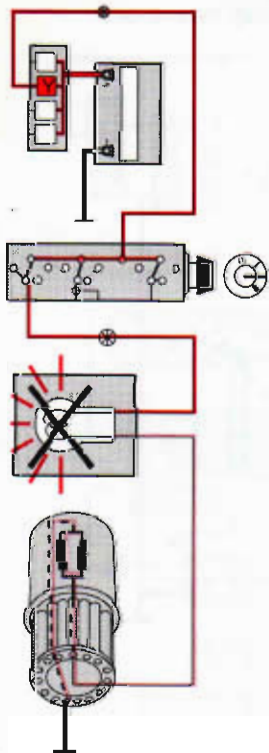
- Tail lights
- Brake lights
- Low beam
- (day running lights)



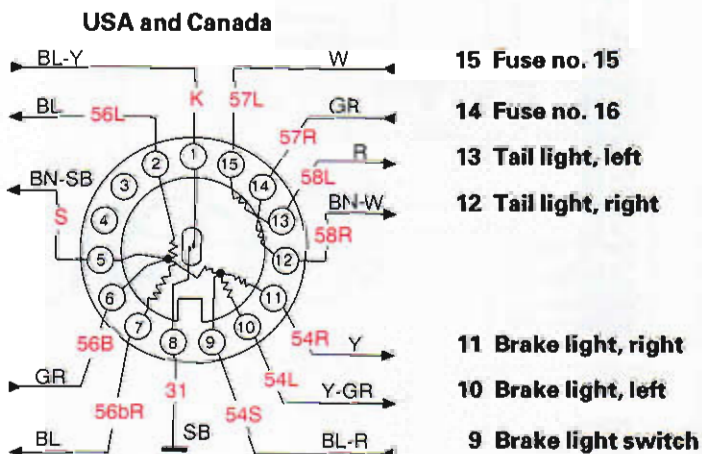
- 1 Bulb failure indicator light
- 2 Low beam, left
- 3 Spare
- 4 Spare
- 5 Light switch
- 6 Light switch
- 7 Low beam, right



8 Ground connection for indicator light

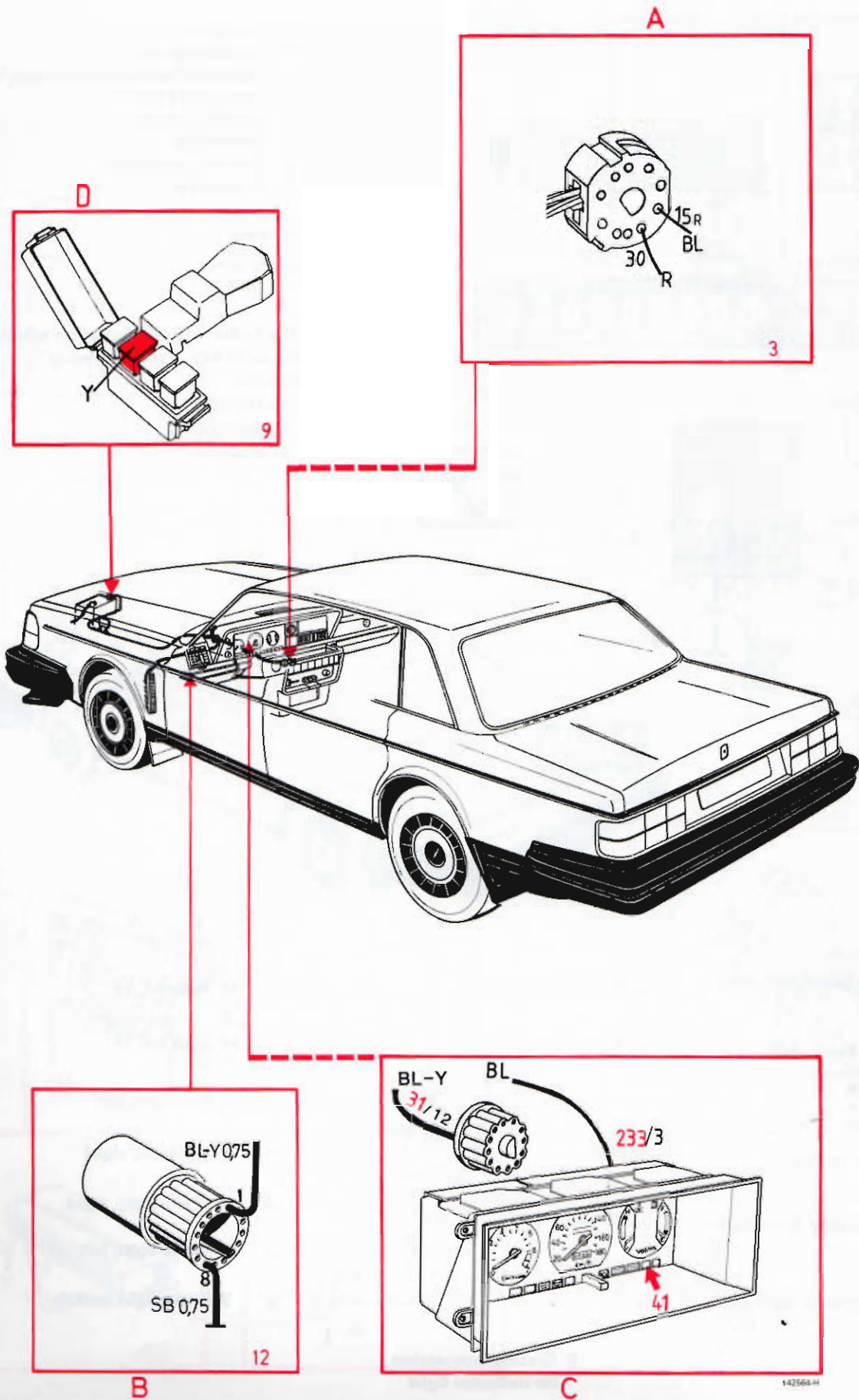


- 1 Bulb failure indicator light
- 2 Low beam, left
- 5 Extra brake light
- 6 Step relay, low beam
- 7 Low beam, right

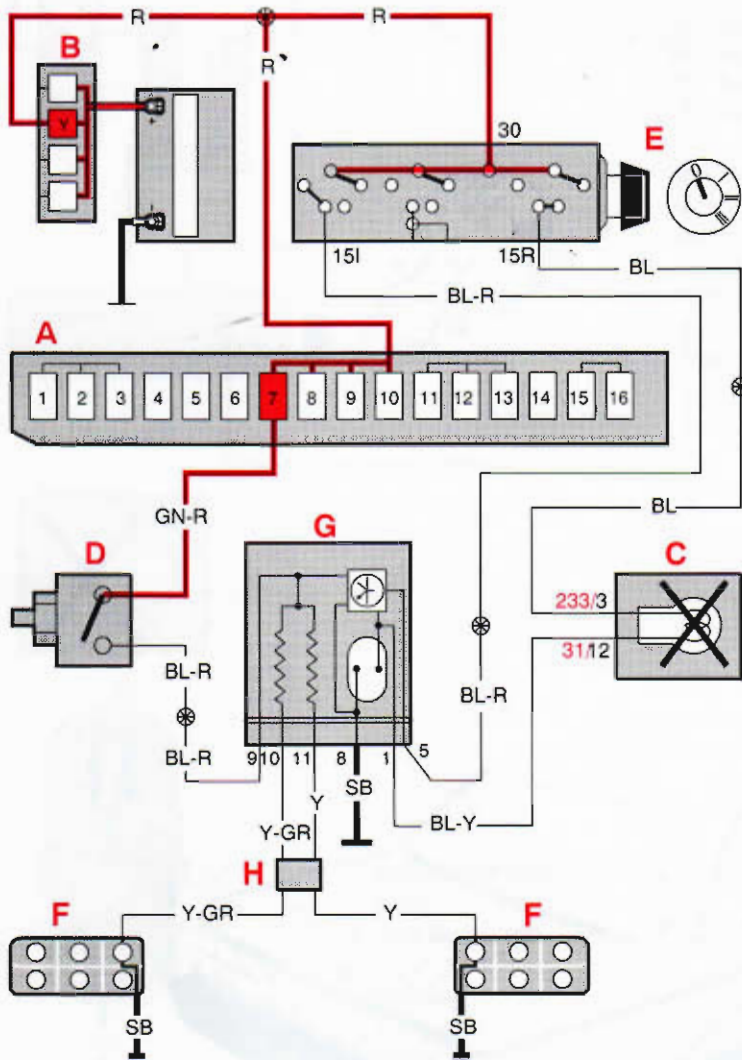


8 Ground connection for indicator light 15

Bulb failure sensor



Bulb failure sensor with brake circuit monitor, Europe



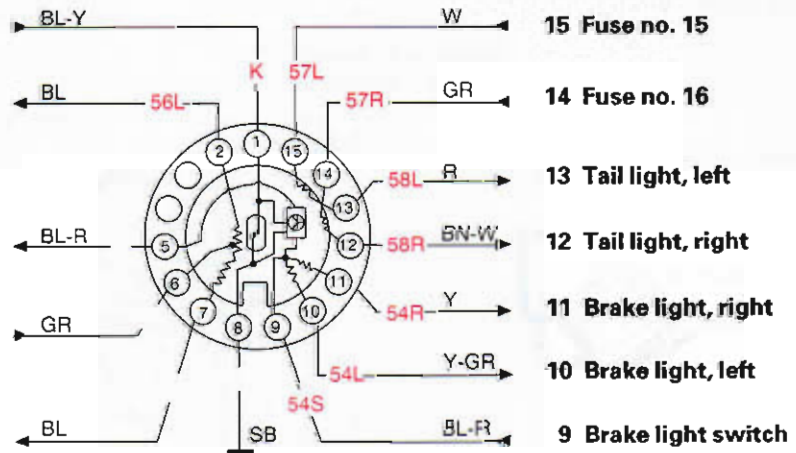
- A Fuse box
- B Fuseholder B+
- C Indicator light for inoperative bulb
- D Brake light switch
- E Ignition switch
- F Brake light
- G Bulb failure sensor
- H Connector

Fuse no. 7
Brake lights

The indicator light comes on when a bulb blows in any of the following circuits:

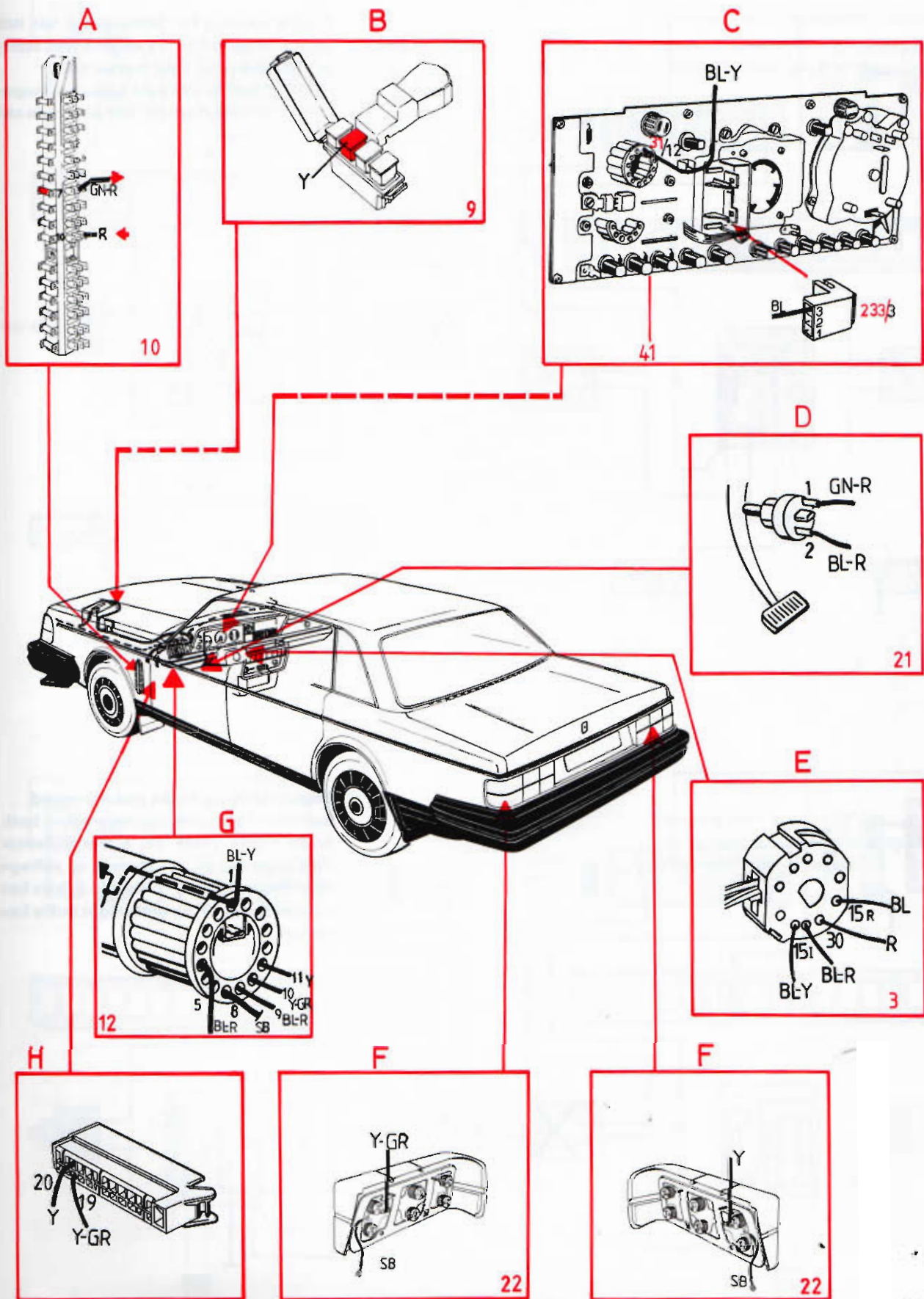
- Tail lights
- Brake lights
- Low beam

- 1 Bulb failure indicator light
- 2 Low beam, left
- 3 Spare
- 4 Spare
- 5 Light switch
- 6 Step relay, low beam
- 7 Low beam, right



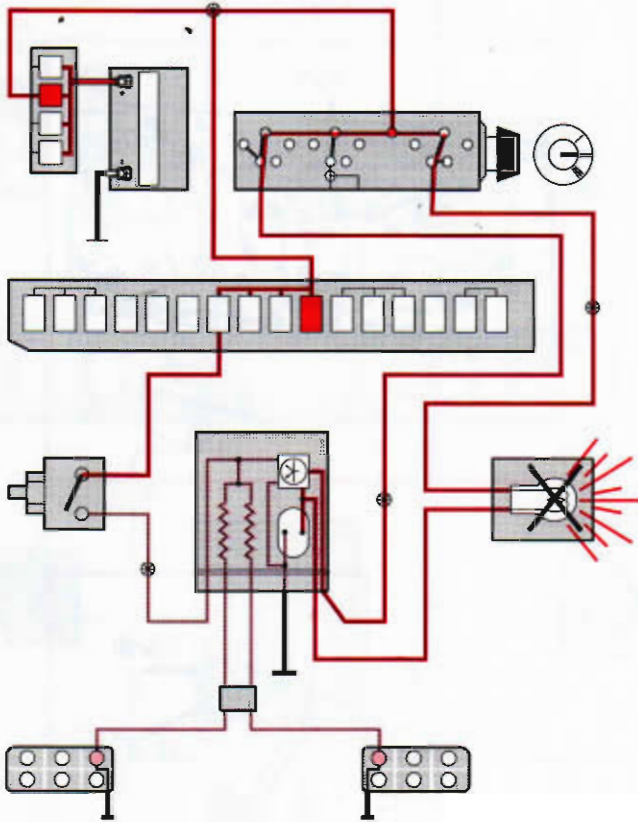
8 Ground connection for indicator light

Bulb failure sensor with brake circuit monitor, Europe



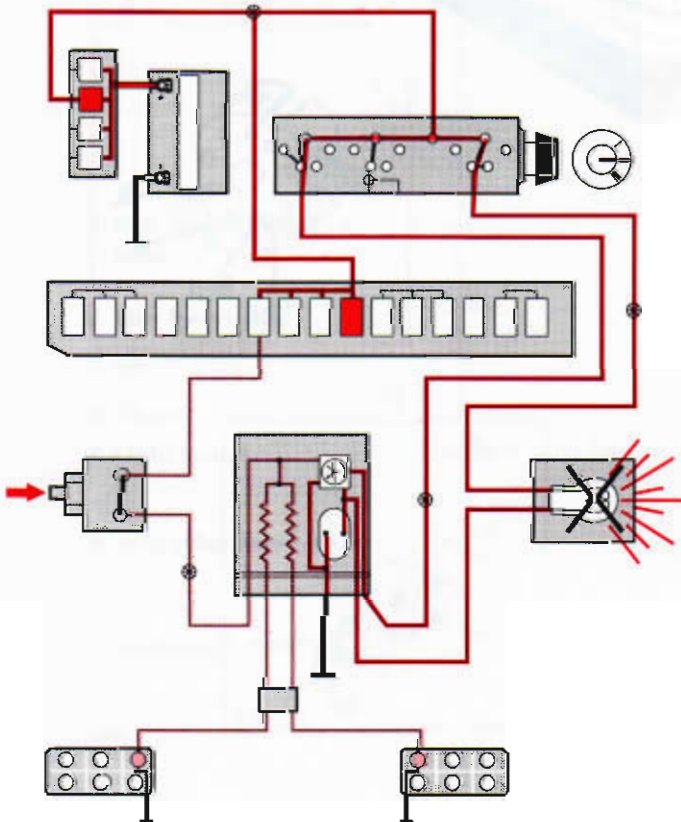
142265-H

Bulb failure sensor with brake circuit monitor, Europe



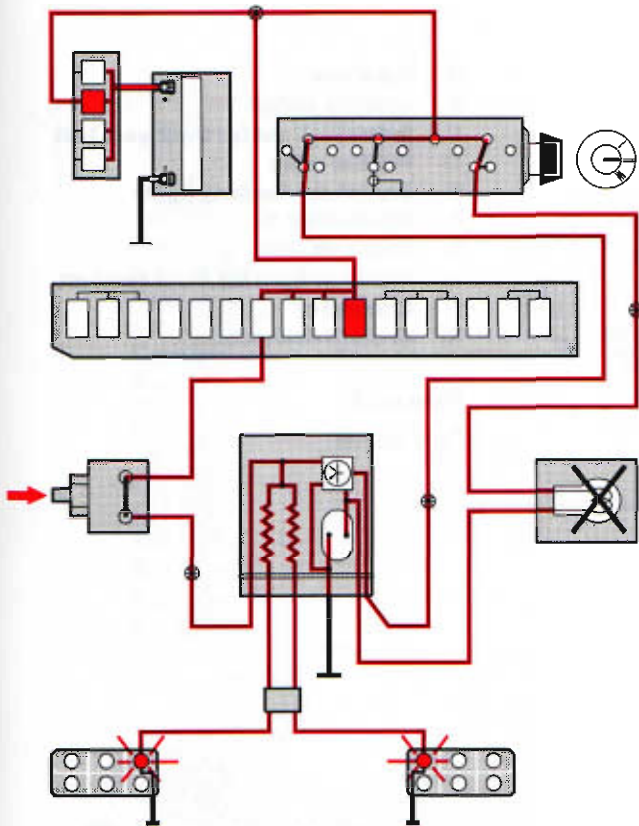
Engine running but brake pedal has not been pressed after the engine was started. The indicator light comes on.

NOTE! If both brake light bulbs are inoperable, the indicator light will not come on!

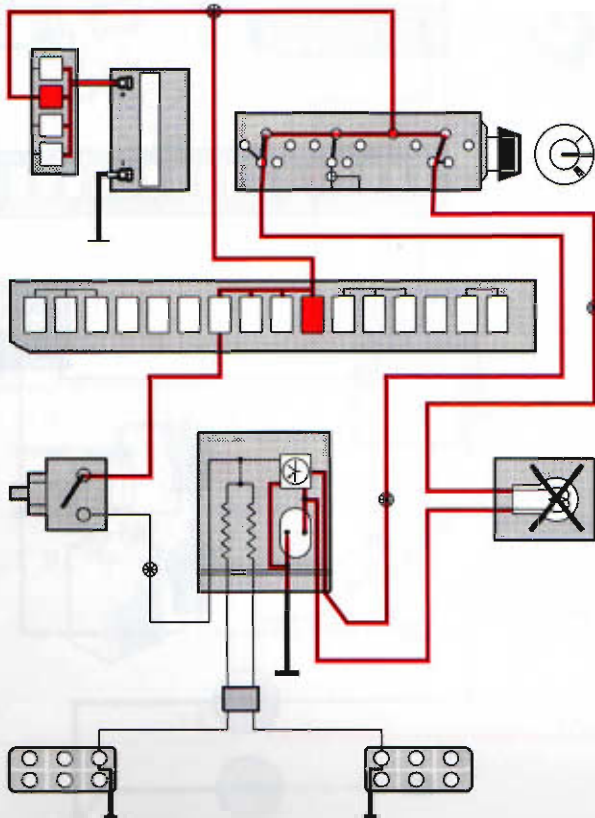


Engine running, brake pedal pressed: Indicator light goes out only when both brake lights come on. If the indicator light does not go out, there is no voltage after the brake light contact (e.g. fuse has blown) or one of the brake light bulbs has blown.

Bulb failure sensor with brake circuit monitor, Europe

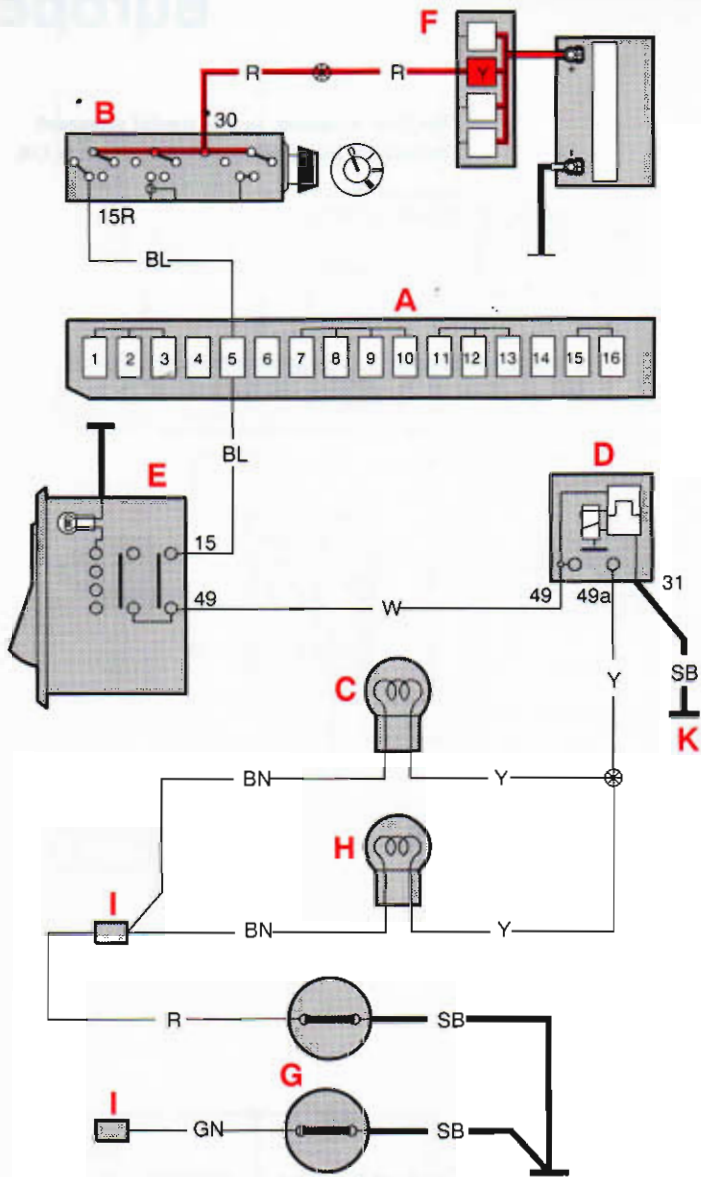


**Engine running, brake pedal pressed:
Indicator light goes out if system is OK.**



**Engine running
Brake pedal released after application
Indicator light goes out**

Seat belt reminder

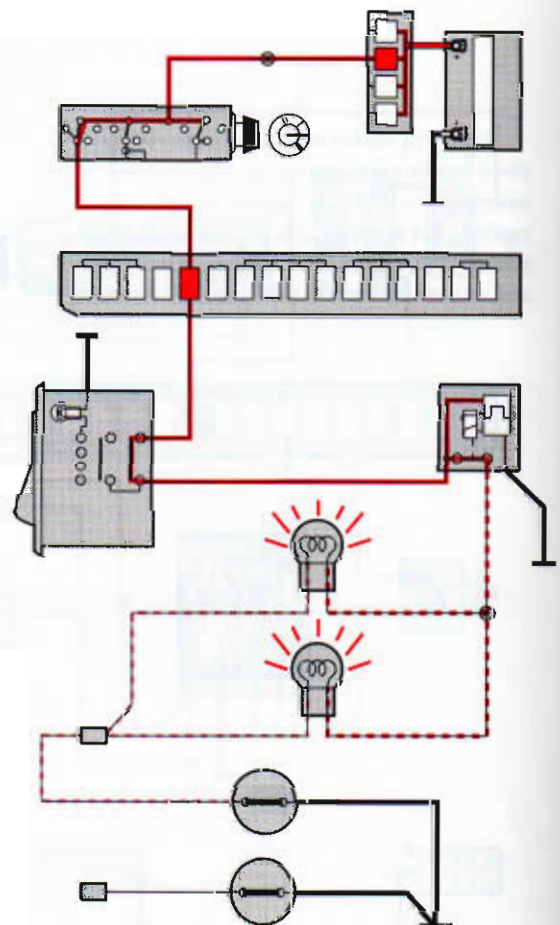


- A Fuse box
- B Ignition switch
- C Indicator light for front seat belt
- D Flasher relay
- E Switch for flashing light
- F Fuseholder B+
- G Seat belt lock
- H Indicator light for front seatbelt
- I Connector
- K Ground connection

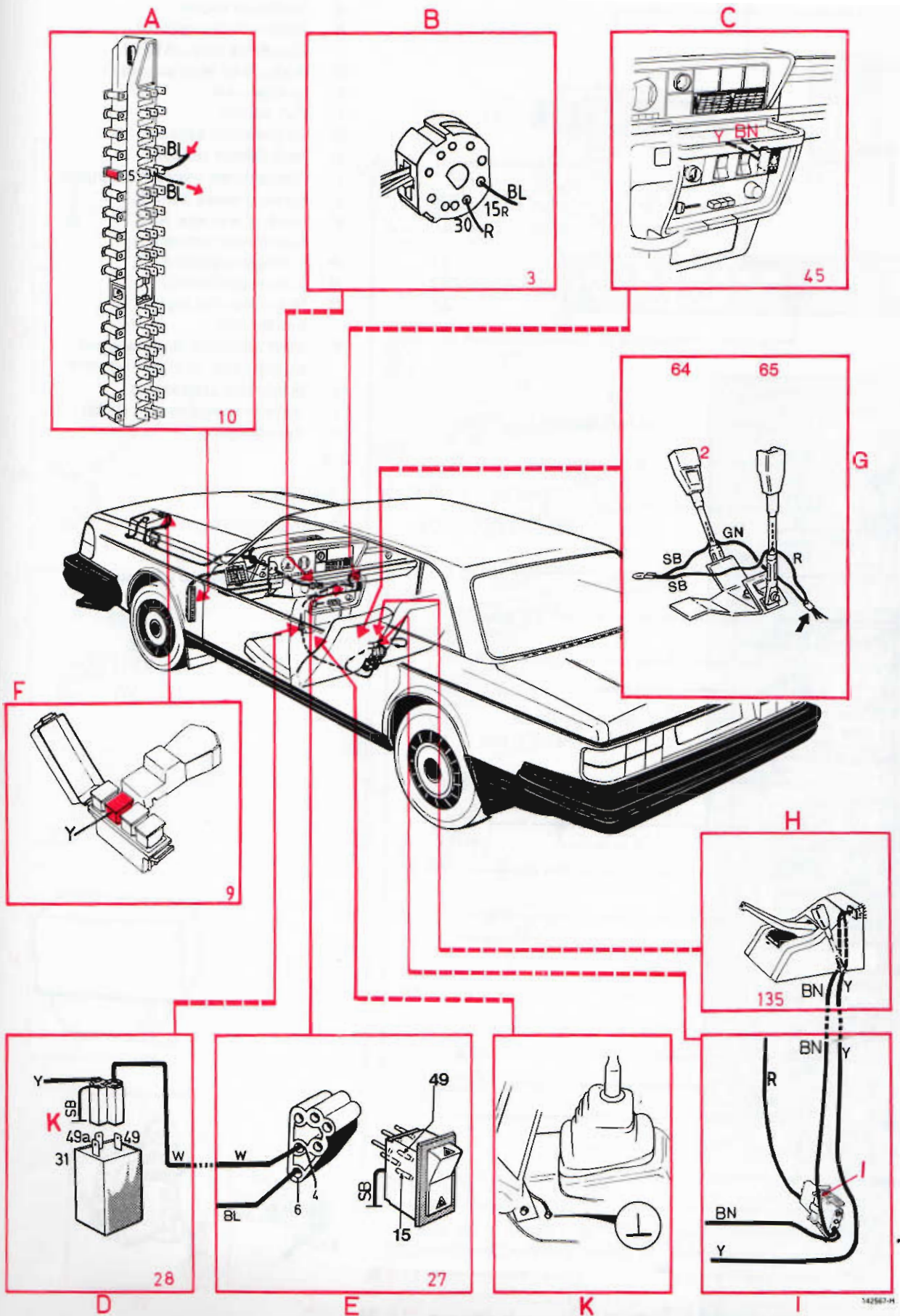
Fuse no. 5

Turn signal

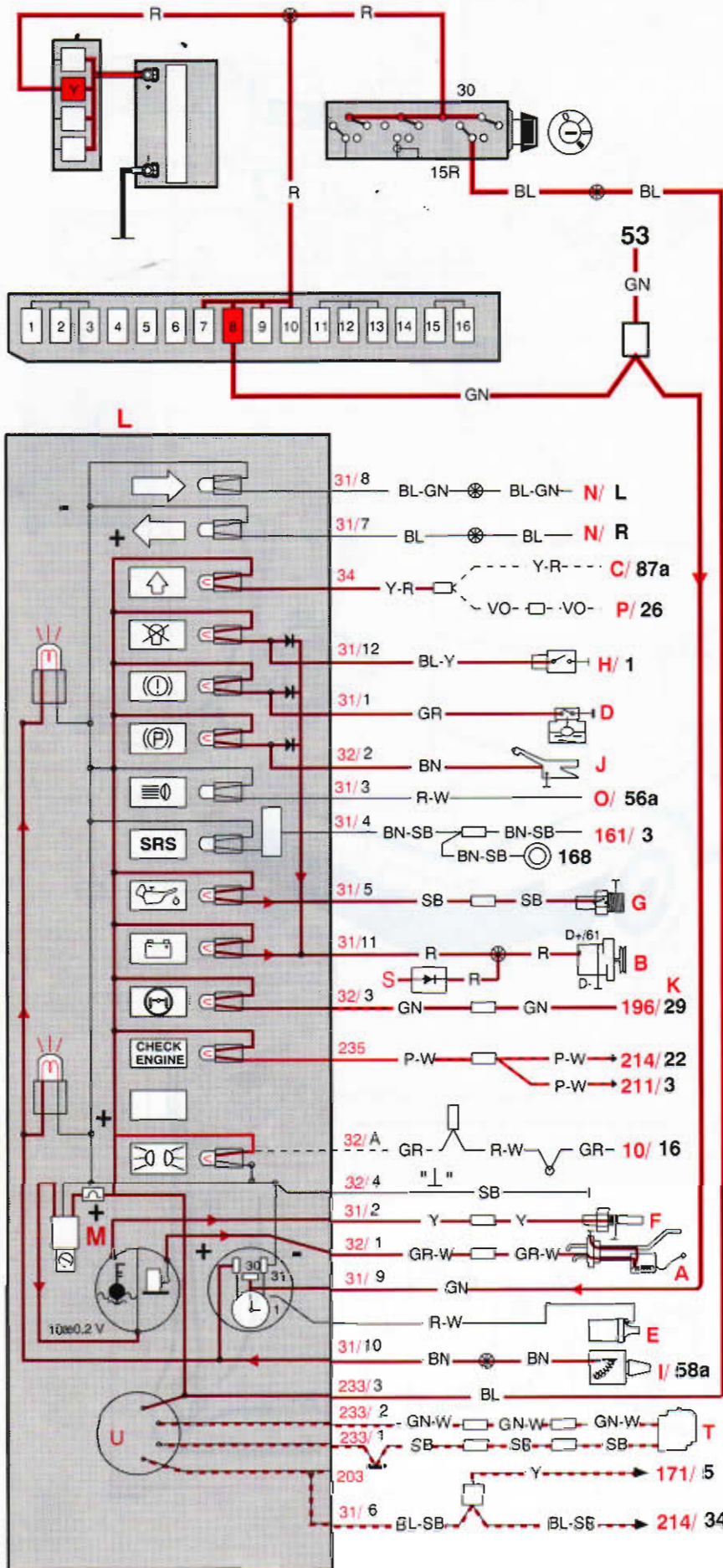
Ignition ON, driver's seat belt not put on



Seat belt reminder



Combined instrument



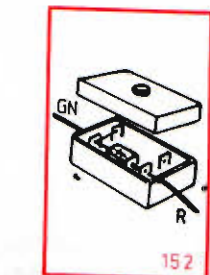
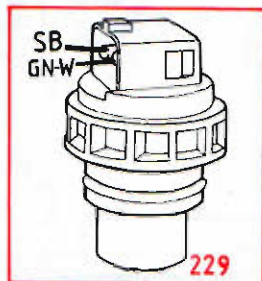
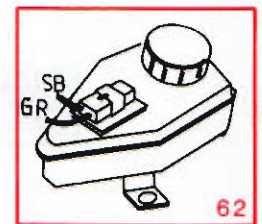
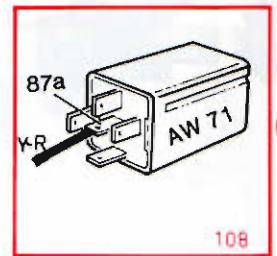
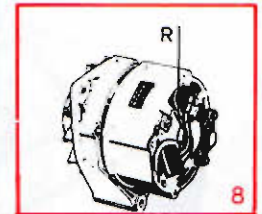
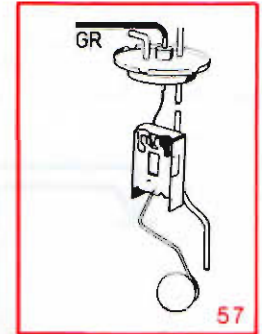
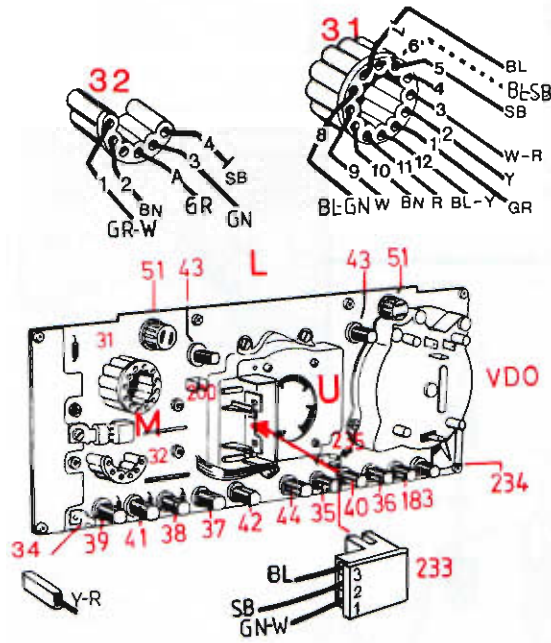
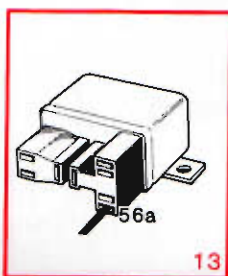
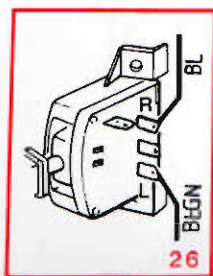
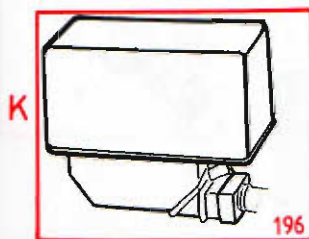
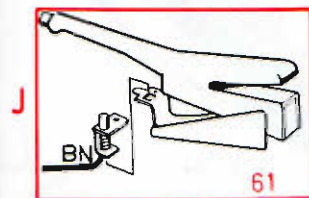
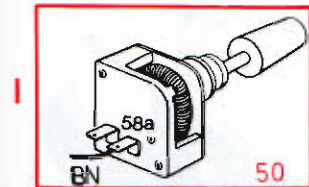
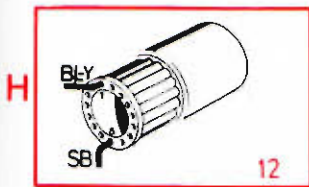
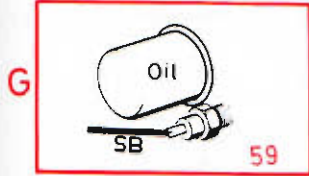
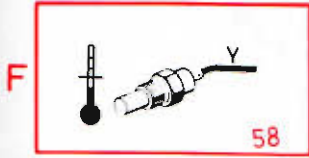
- A Fuel level sensor
- B Alternator/generator
- C Overdrive relay, AW 71
- D Brake fluid level sensor
- E Ignition coil
- F ECT sensor
- G Oil pressure sensor
- H Bulb failure sensor
- I Rheostat for instrument lights
- J Parking brake switch
- K Control module, ABS
- L Combined instrument
- M Voltage regulator
- N Turn signal switch
- O Step relay for high/low beams
- P Shift indicator (from control module pos. 214/26)
- S Diode box (Japan)
- T Vehicle speed sensor (VSS)
- U Speedometer

Fuse No. 8

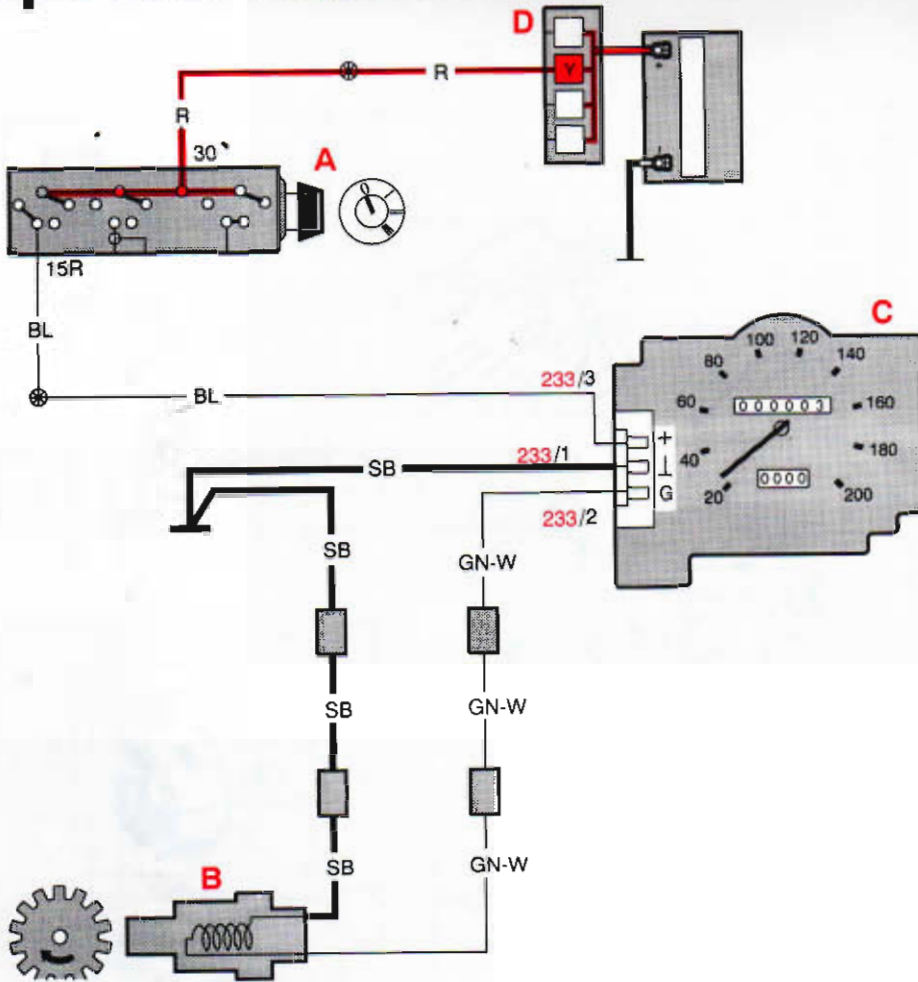
Courtesy lighting

Ignition ON, engine not running

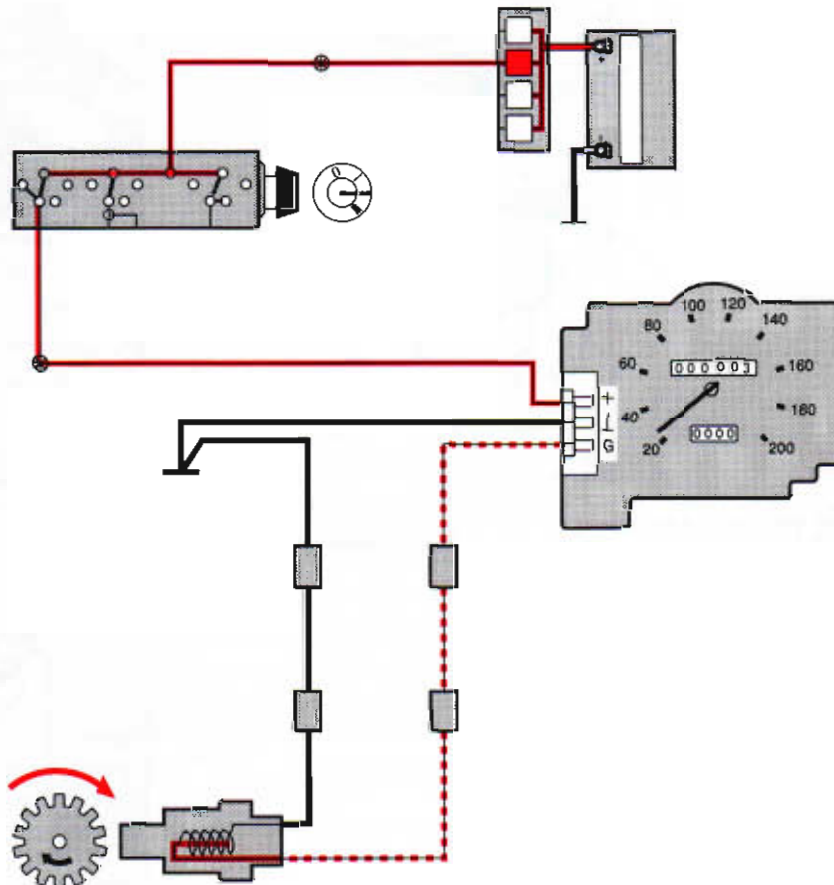
Combined instrument



Speedometer

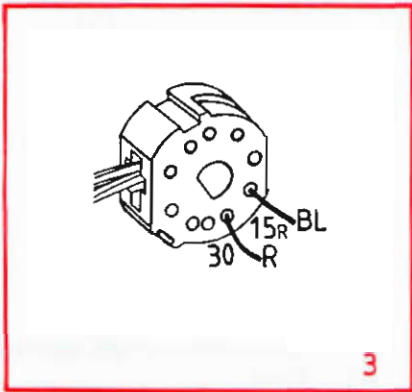


Ignition on,
car in motion

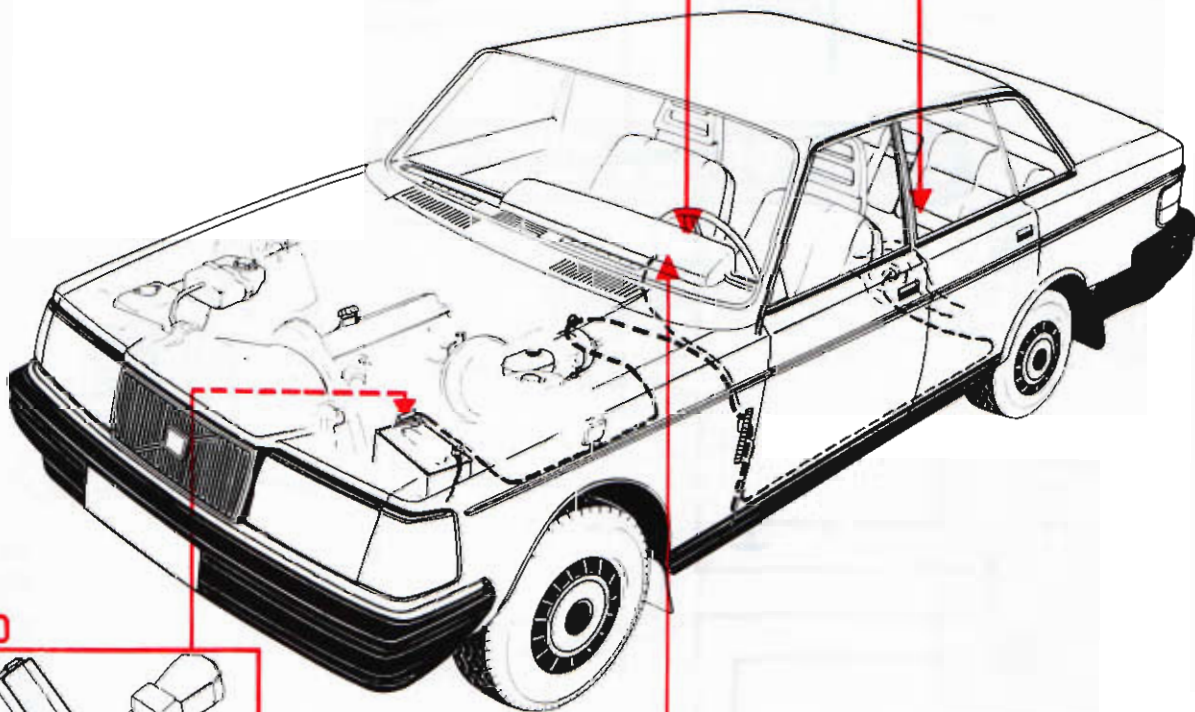
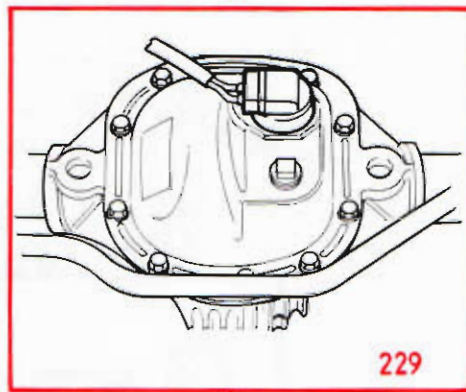


Speedometer

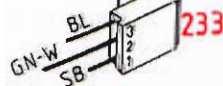
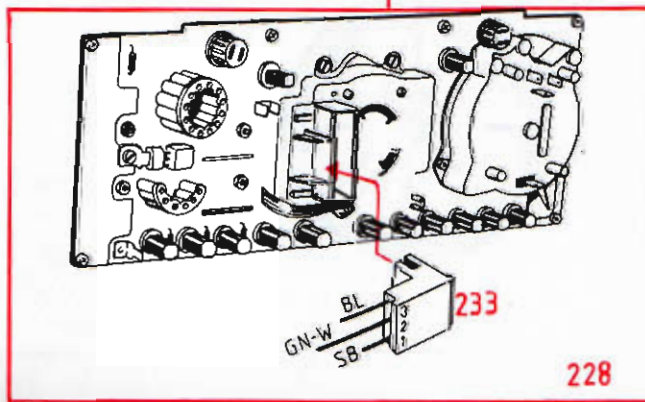
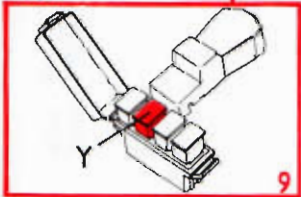
A



B



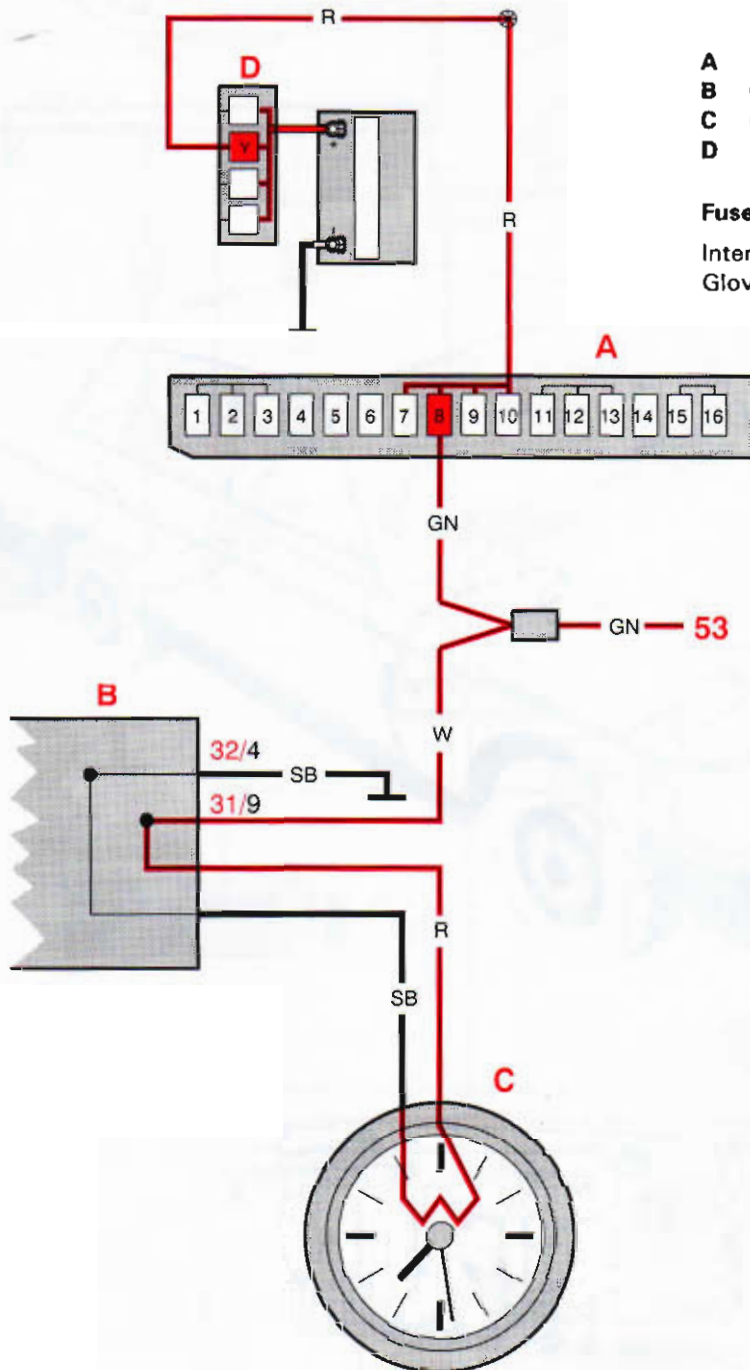
D



C

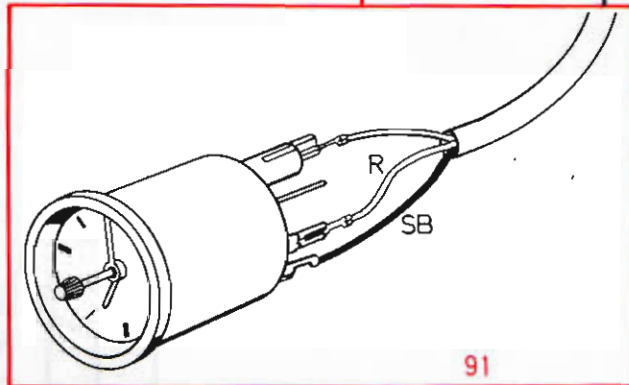
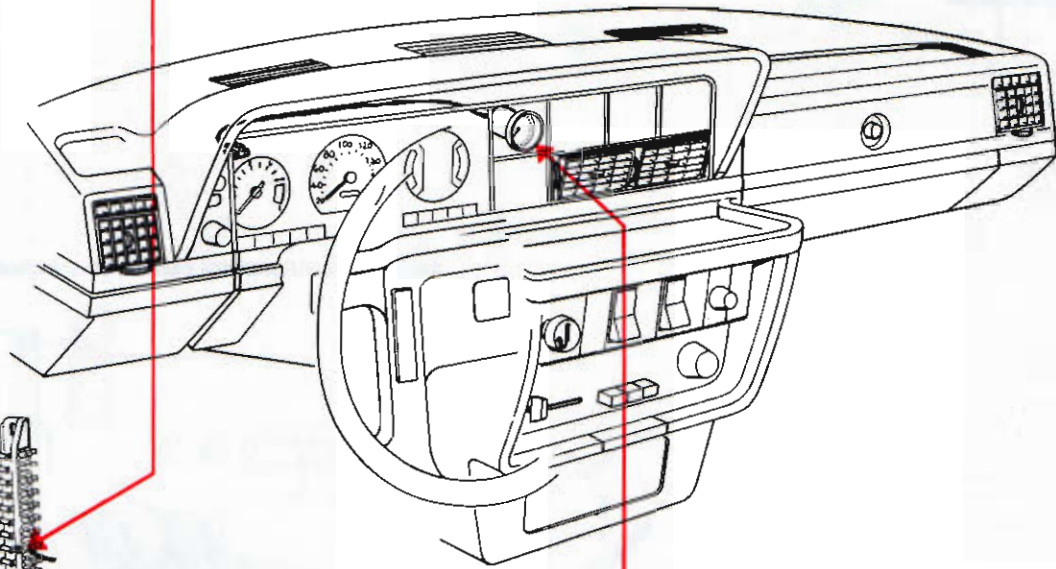
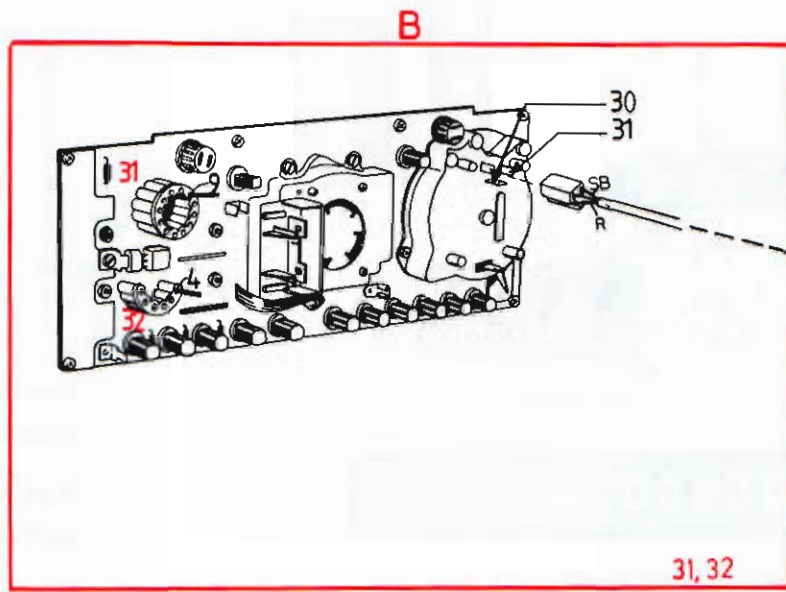
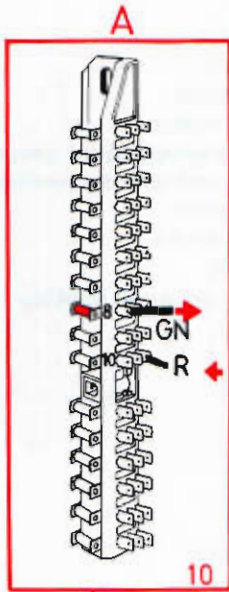
142569-H

Clock

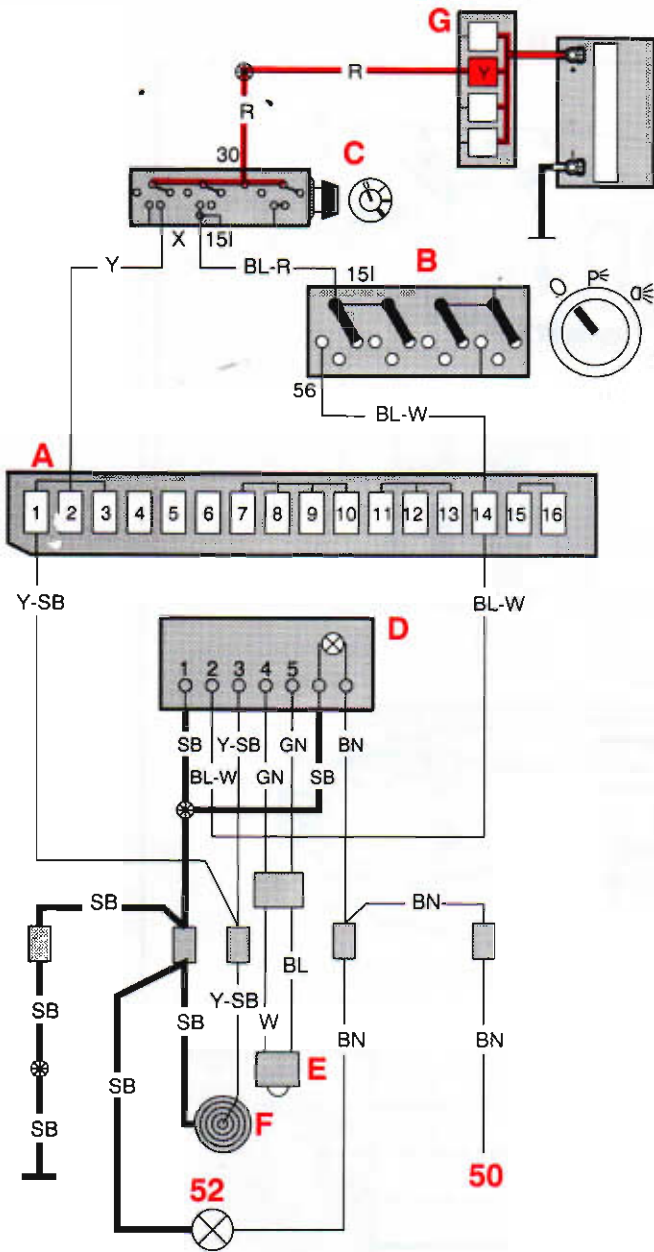


- A** Fuse box
- B** Connections at the instrument panel
- C** Clock
- D** Fuseholder B+

Fuse no. 8
Interior lighting
Glove compartment light



Outside temperature gauge



- A Fuse box
- B Light switch
- C Ignition switch
- D Ambient temperature gauge
- E Sensor, ambient temperature
- F Cigar lighter
- G Fuseholder B+
- 50 Rheostat
- 52 Control and panel lighting

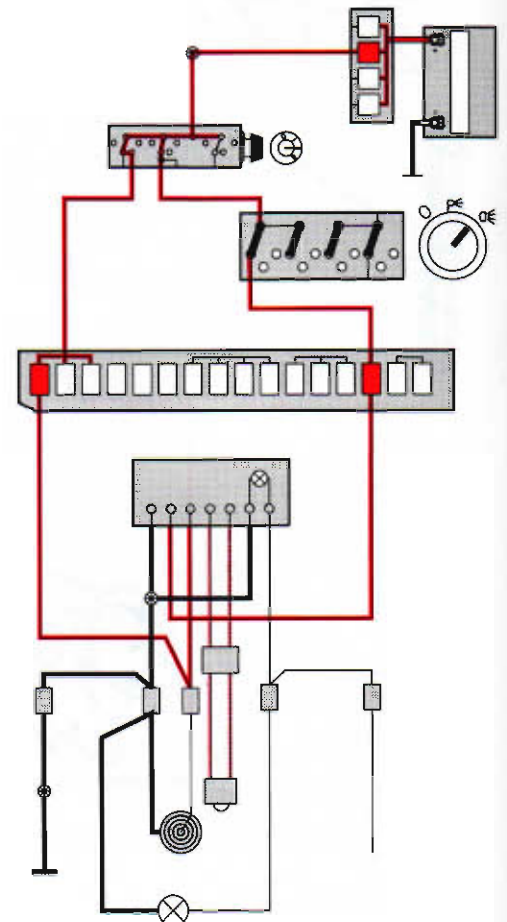
Fuse no. 1

Cigar lighter

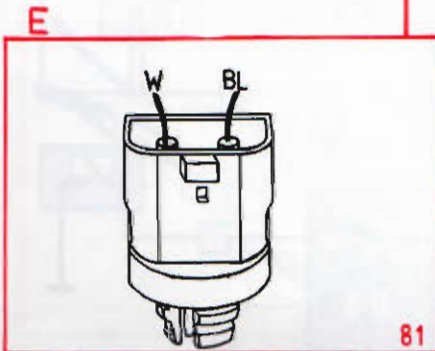
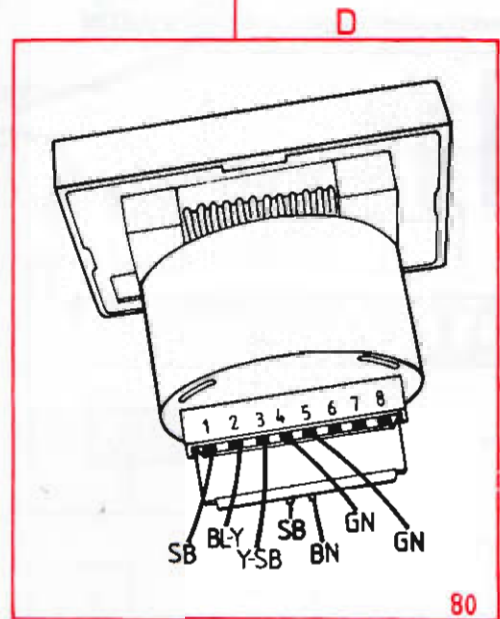
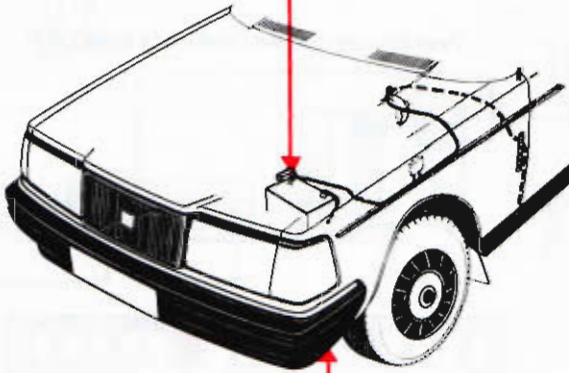
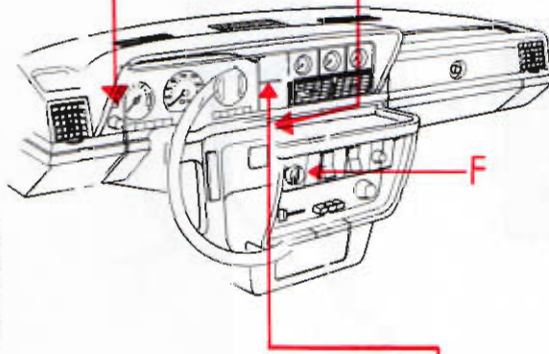
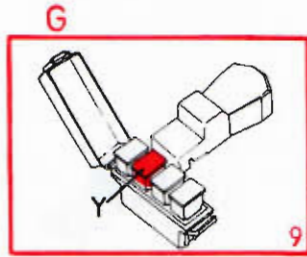
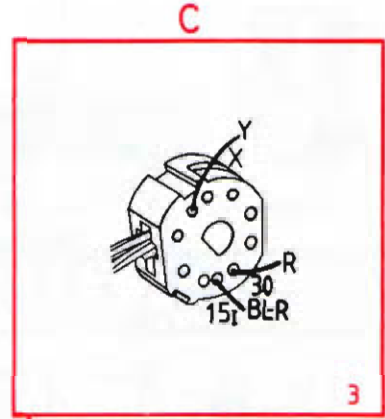
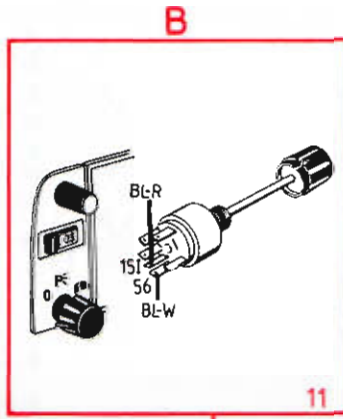
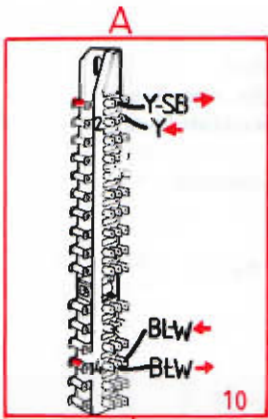
Fuse no. 14

Rear foglights

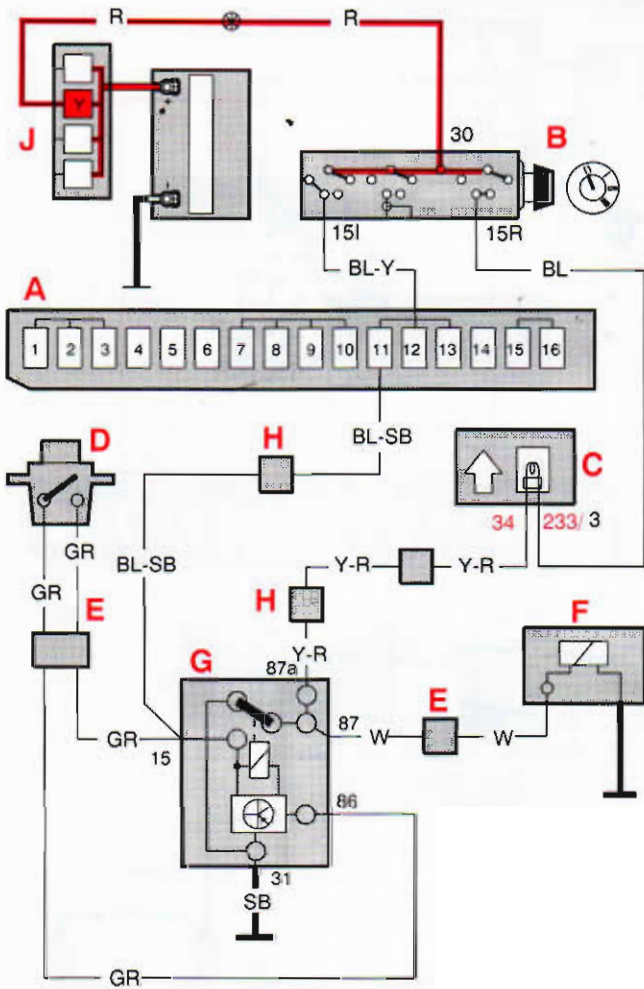
Ambient temperature sensor connected



Outside temperature gauge



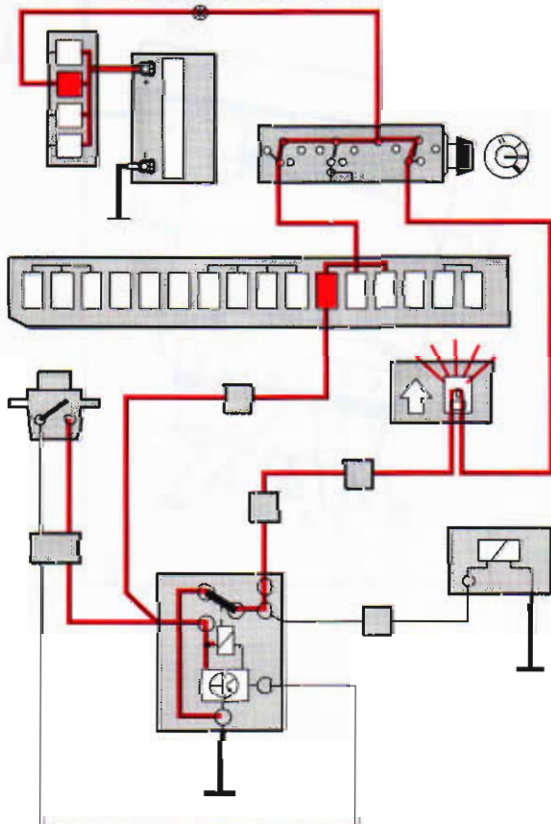
Overdrive, automatic transmission



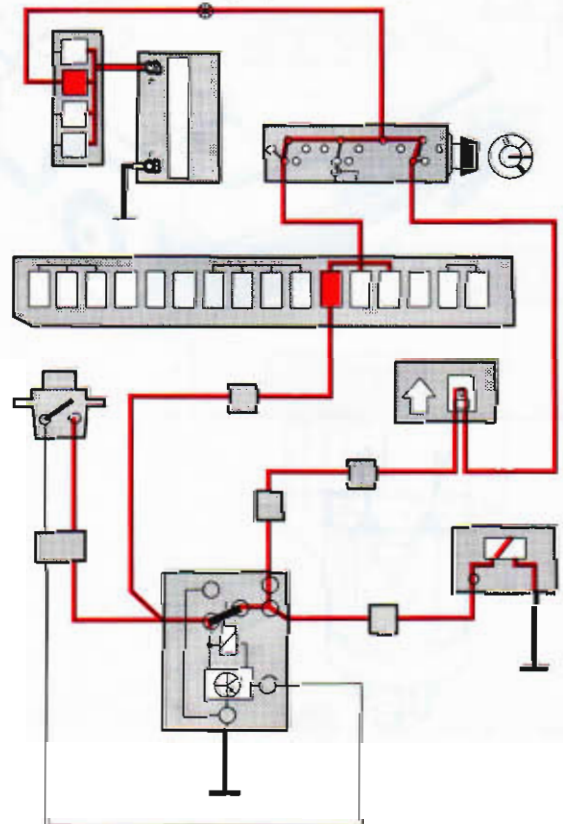
- A Fuse box
- B Ignition switch
- C Indicator light, overdrive
- D Switch in gearshift lever
- E Connector
- F Operating solenoid
- G Relay
- H Connector
- J Fuseholder B+

Fuse no. 11
Heated rear window

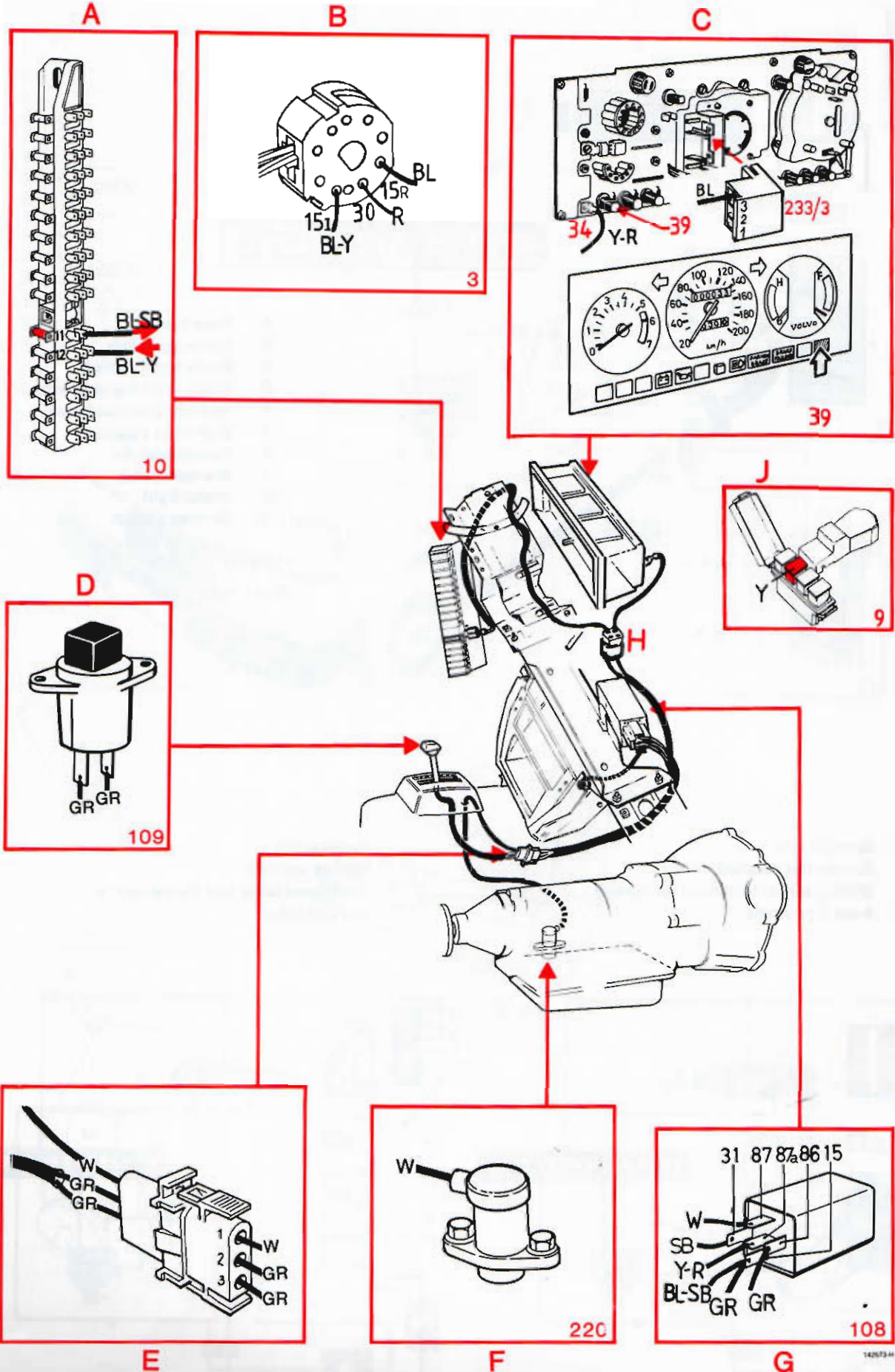
Overdrive disengaged, indicator light ON



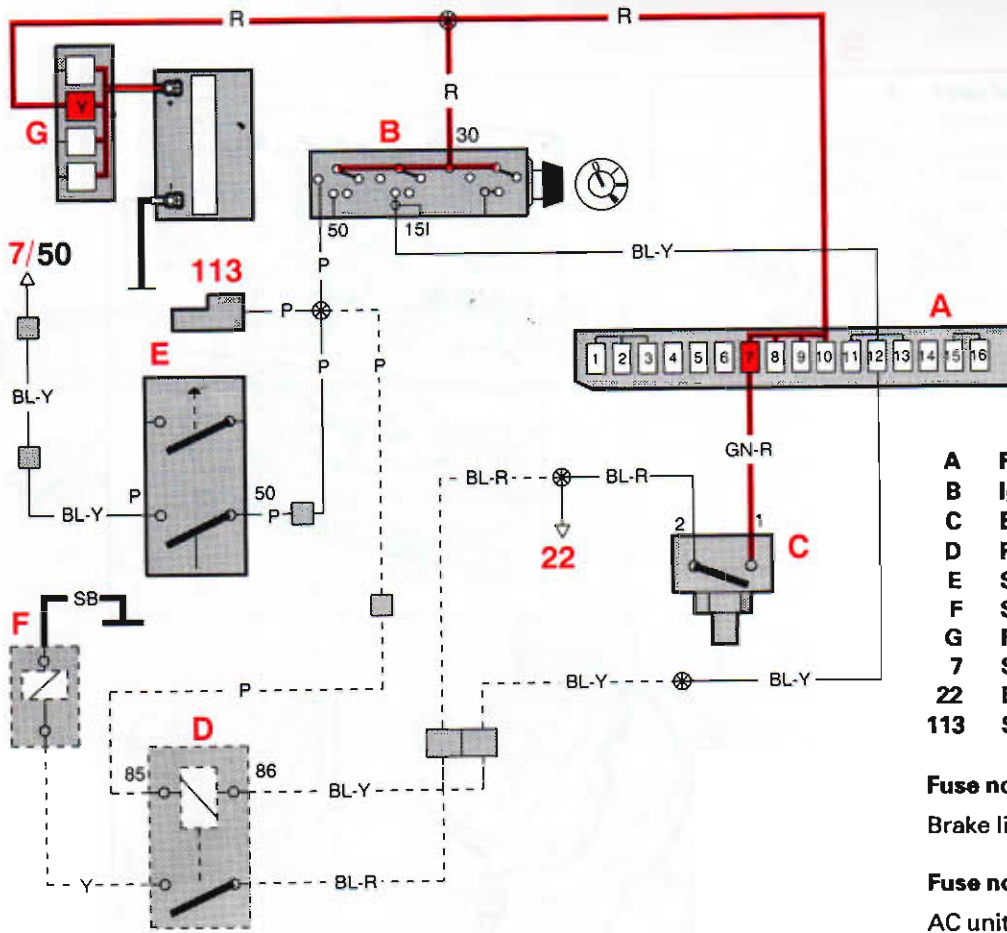
Overdrive engaged, indicator light OFF



Overdrive, automatic transmission



Parking shift lock



- A** Fuse box
- B** Ignition switch
- C** Brake light switch
- D** Relay, parking shift lock
- E** Switch, start inhibitor
- F** Shift lock solenoid
- G** Fuseholder B+
- 7** Starter motor
- 22** Brake light
- 113** Service socket

Fuse no. 7

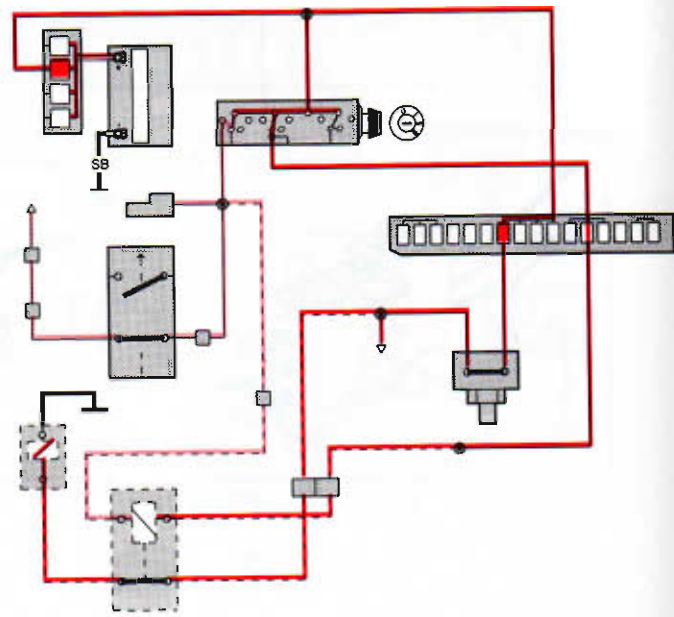
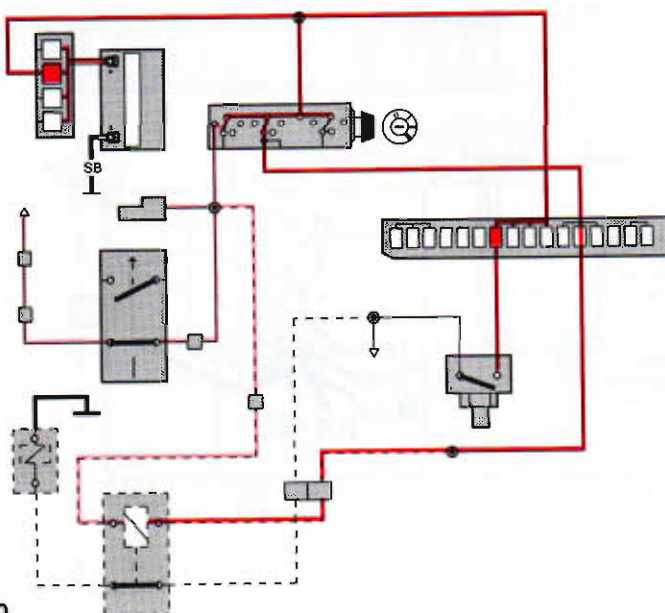
Brake light

Fuse no. 12

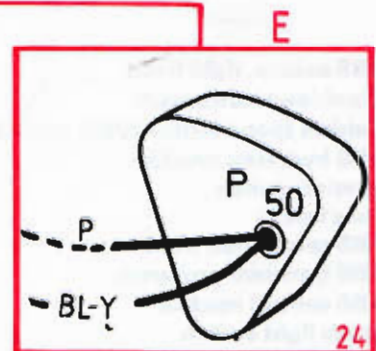
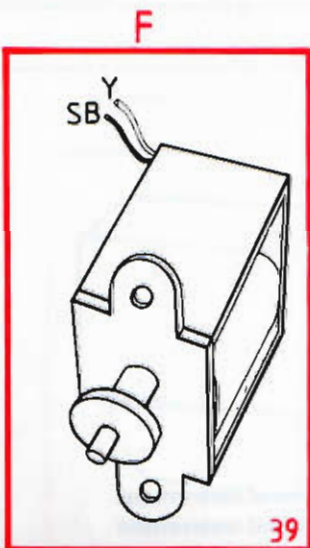
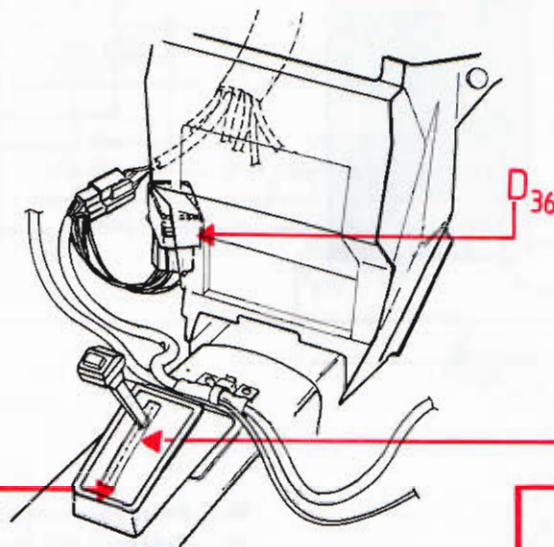
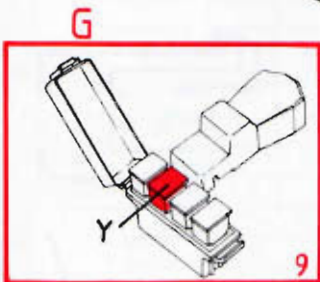
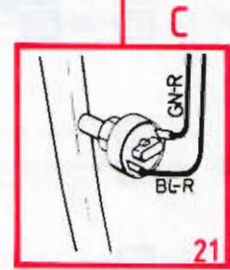
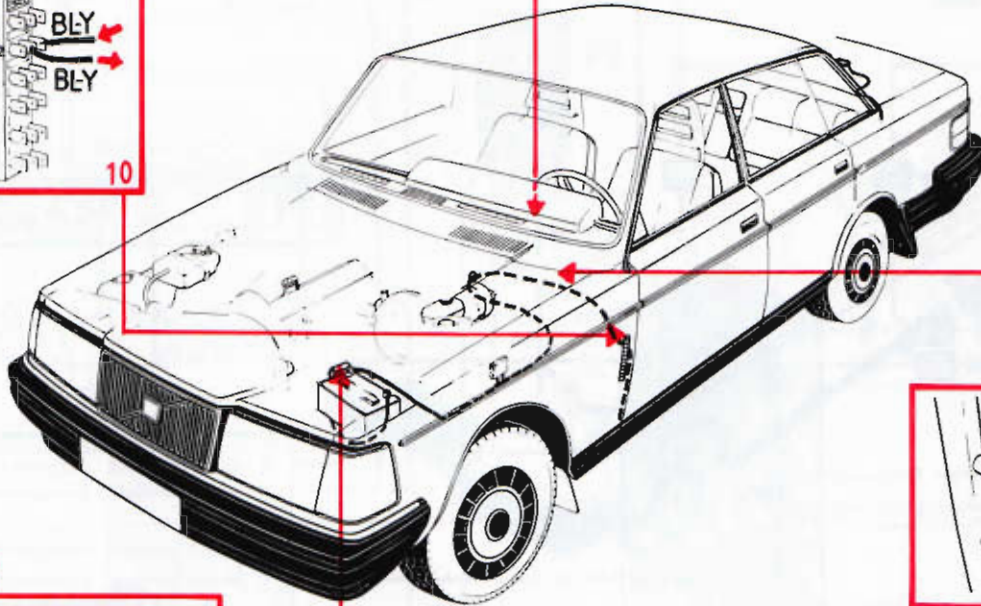
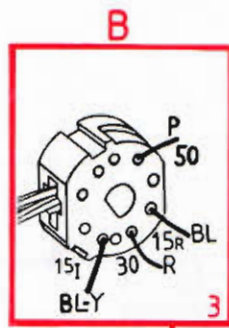
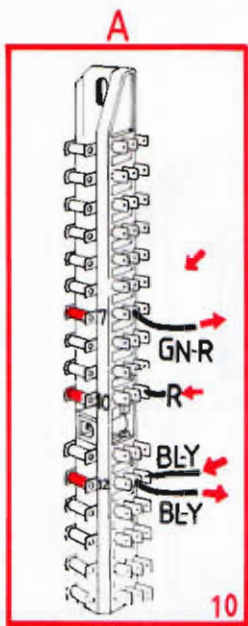
AC unit

Ignition ON
Brakes not applied
Shift/gear lever cannot be moved
from P position

Ignition ON
Brakes applied
Shift/gear lever can be moved to
any position

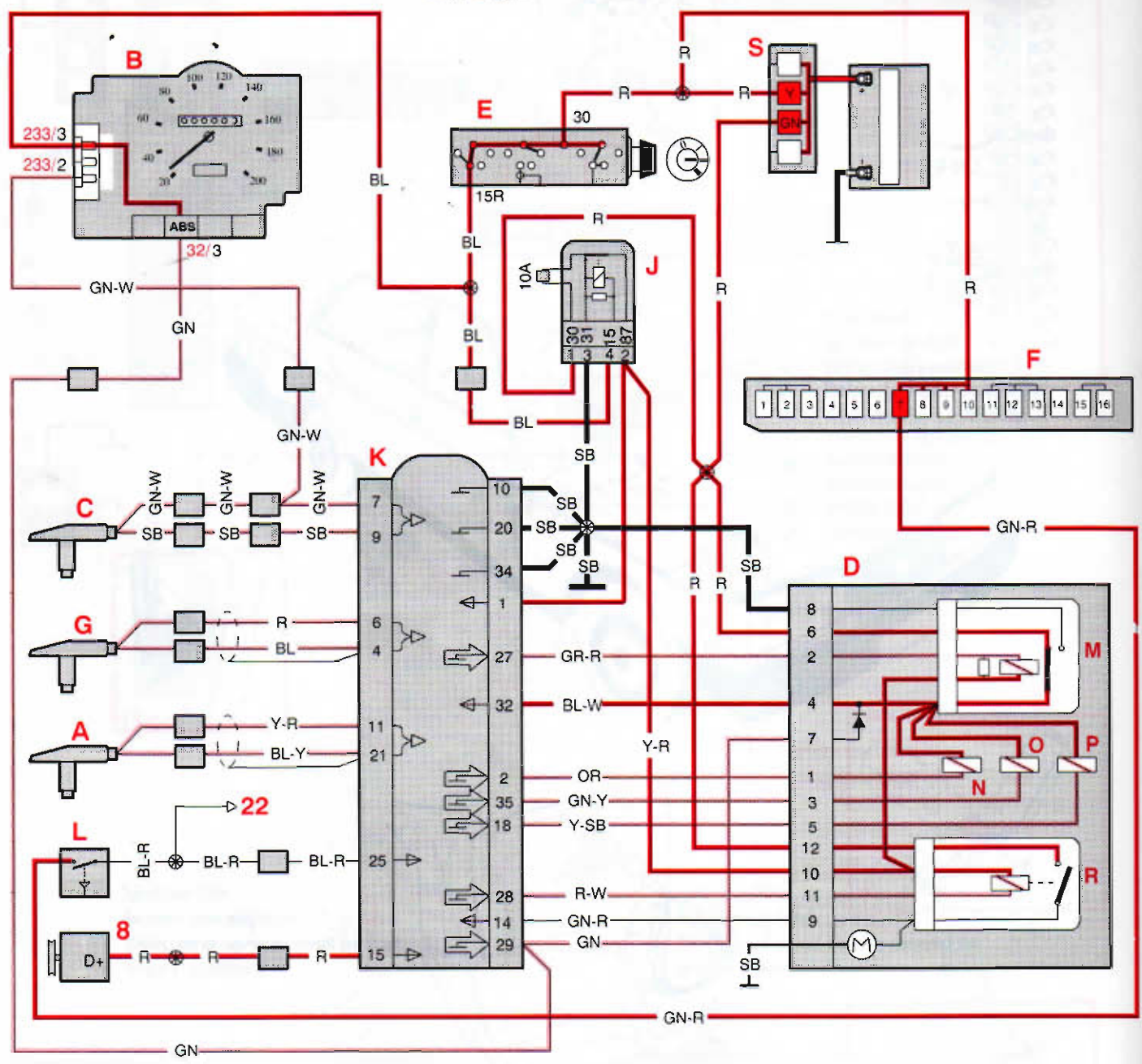


Parking shift lock



ABS braking system

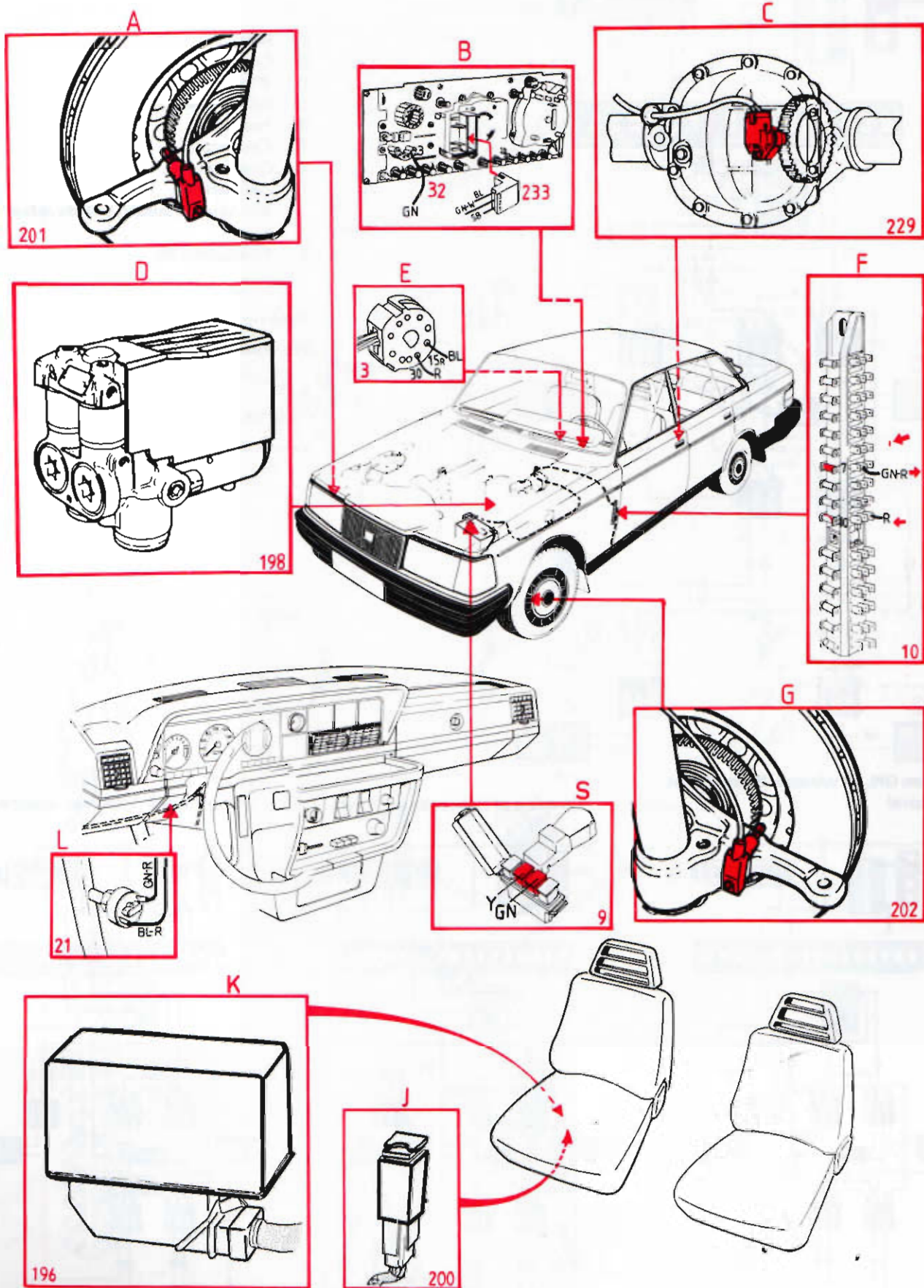
Fuse no. 7
Brake light



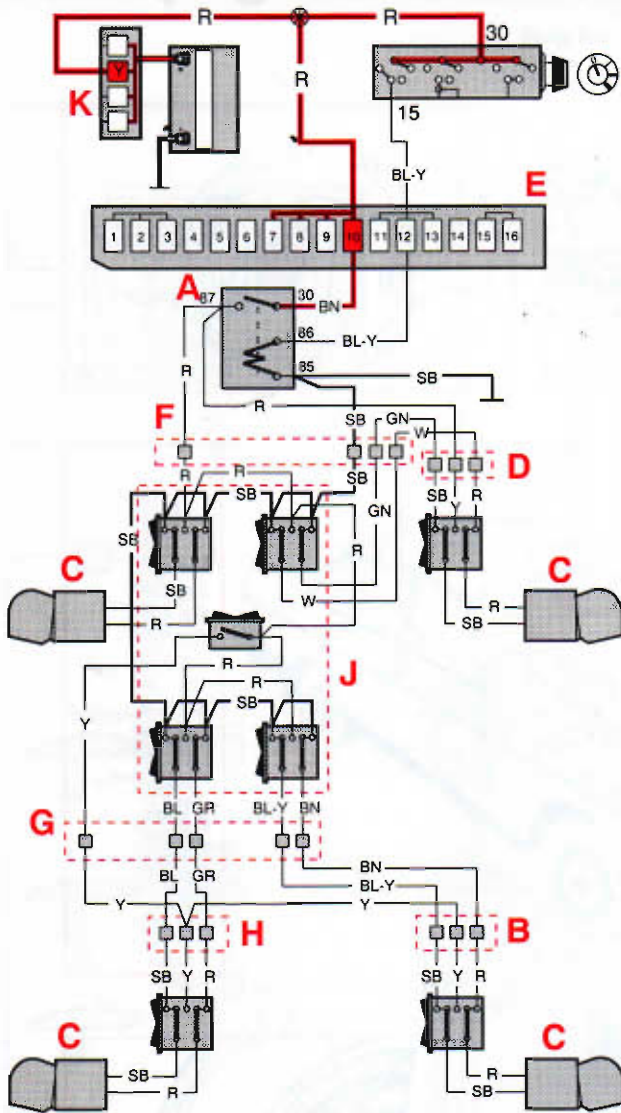
- A ABS sensor, right front
- B Combined instrument
- C Vehicle speed sensor (VSS) and ABS sensor
- D ABS hydraulic module
- E Ignition switch
- F Fuse box
- G ABS sensor, left front
- J ABS transient protector
- K ABS control module
- L Brake light switch

- M Relay for solenoids
- N Solenoid, left front
- O Solenoid, right front
- P Solenoid, rear
- R Relay, pump motor
- S Fuseholder B+
- 8 Generator
- 22 Brake lights
- 32 5-pin connector at combined instrument
- 233 3-pin connector at combined instrument

ABS braking system



Power windows

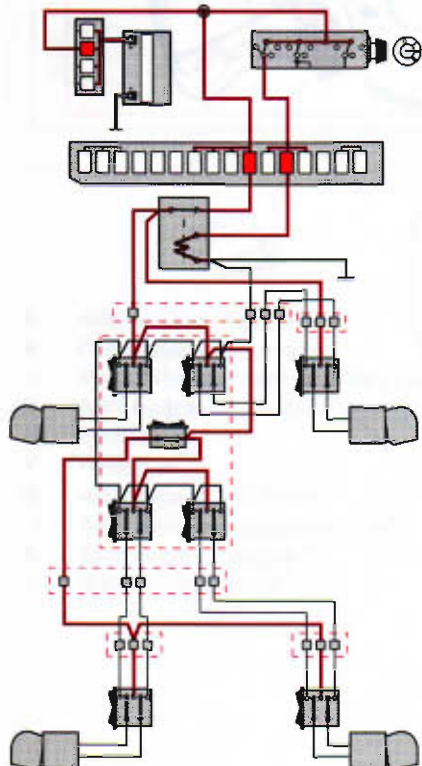


- A Relay
- B Connector
- C Window lifts
- D Connector
- E Fuse box
- F Connector
- G Connector
- H Connector
- J Window lift switch beside driver's seat
- K Fuseholder B+

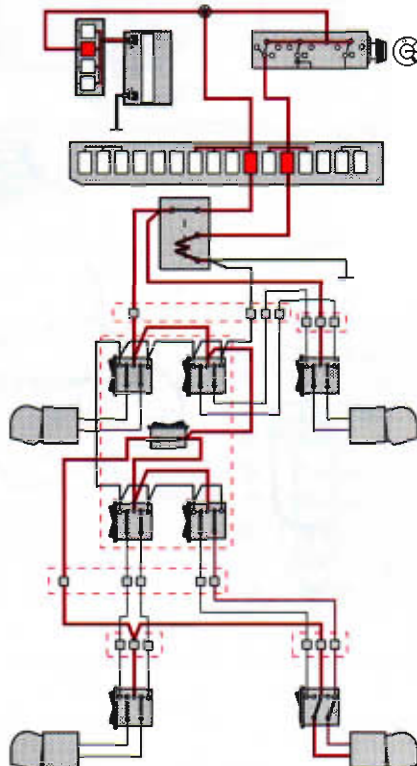
Fuse no. 10
No other functions

Fuse no. 12
A/C unit

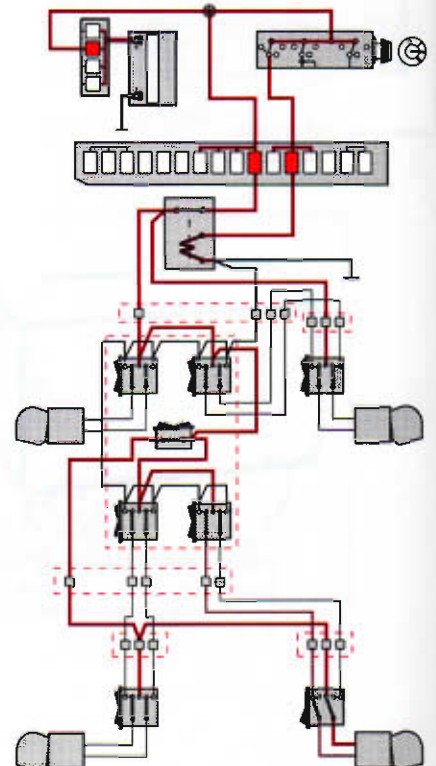
Ignition ON, all window lift switches in neutral



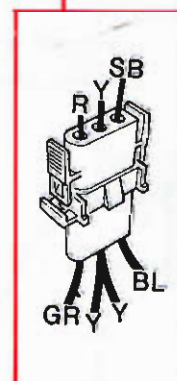
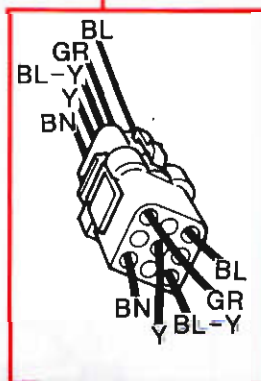
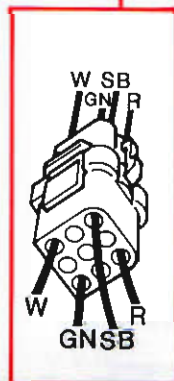
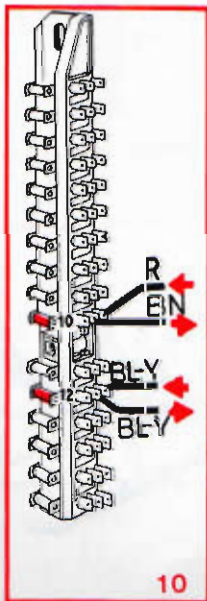
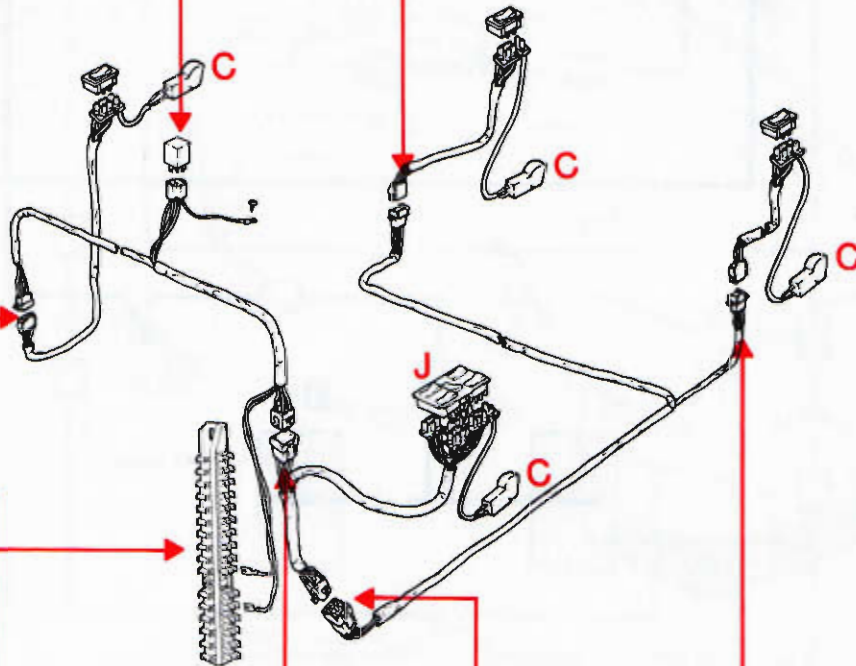
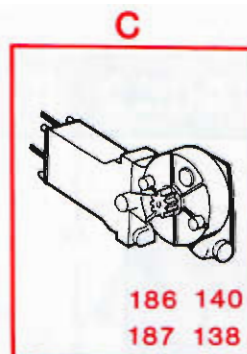
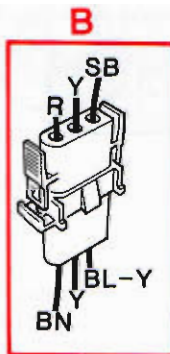
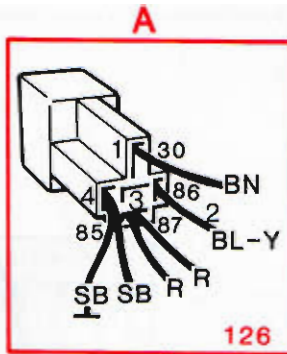
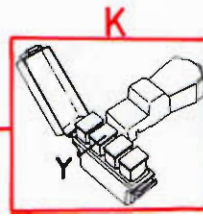
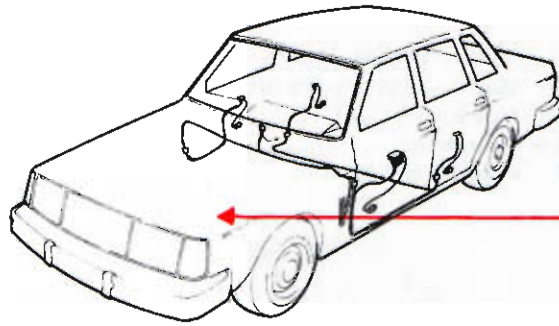
Opening of right rear window



Shutting of right rear window



Power windows

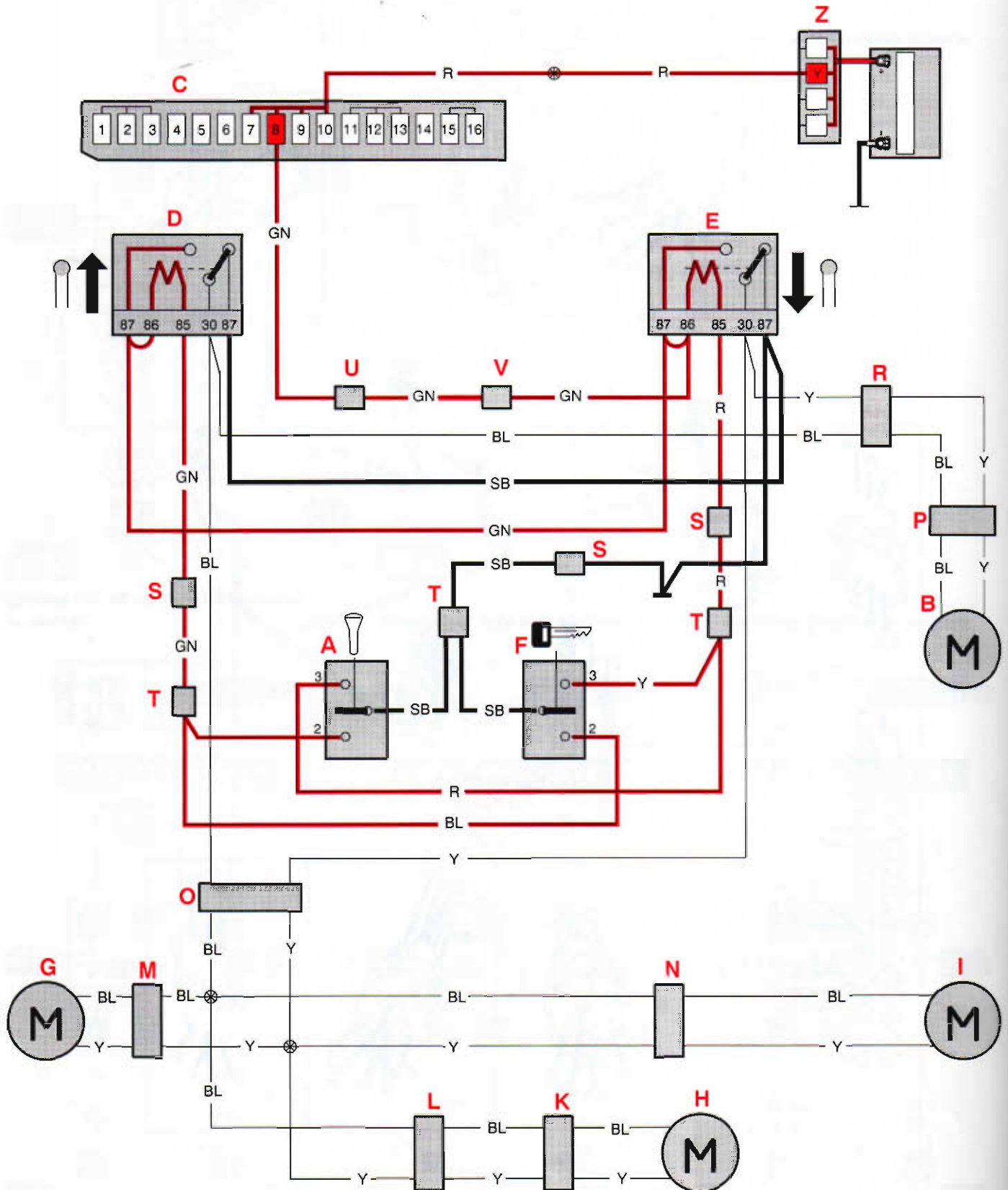


Central locking system, 4 & 5-door models

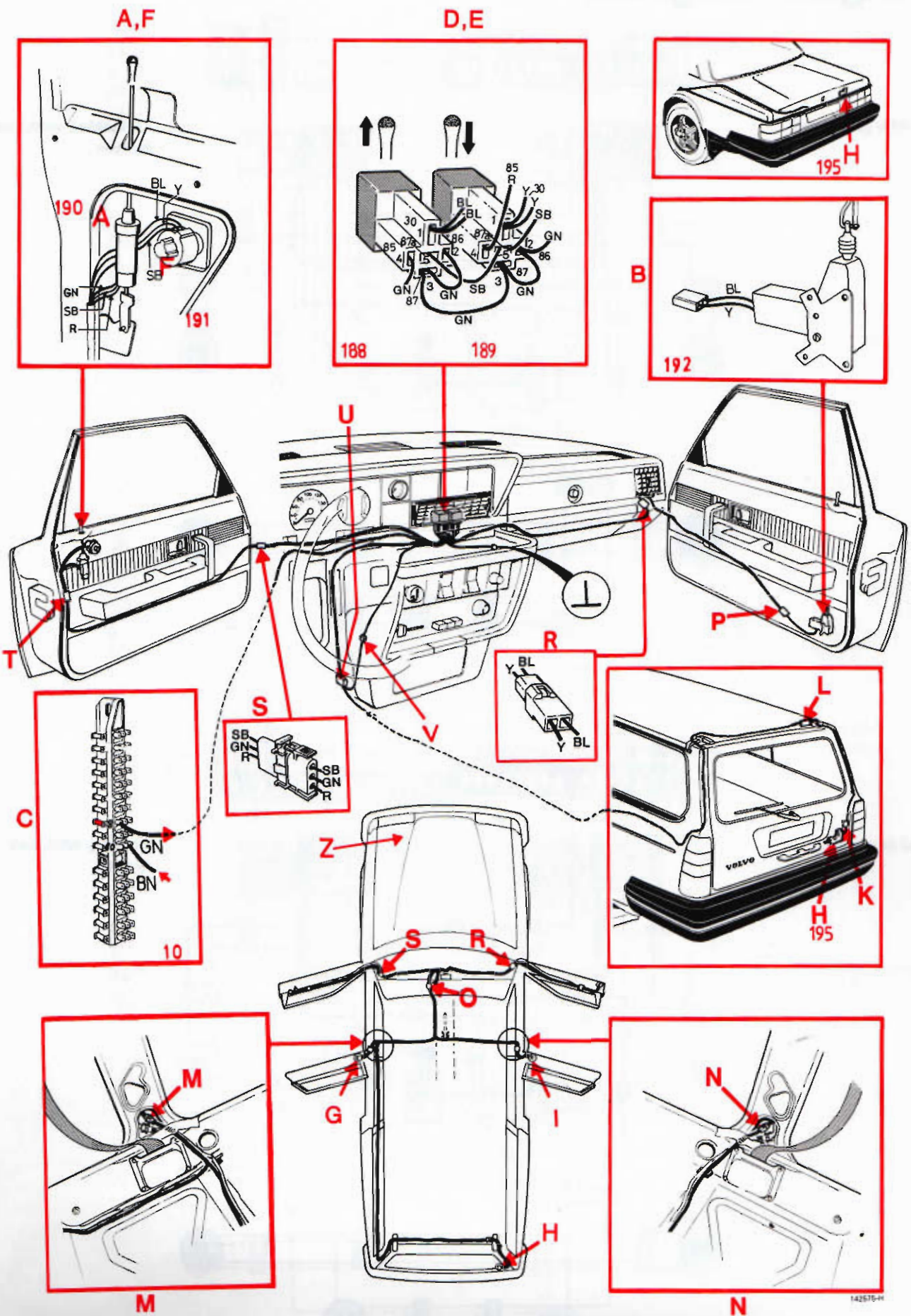
- A Switch, link rod
- B Motor, front left
- C Fuse box
- D Relay, unlocking
- E Relay, locking
- F Key switch

- G Motor, rear left
- H Motor, tailgate/boot (trunk) lid
- I Motor, rear right
- K-V Connectors
- Z Fuseholders B+

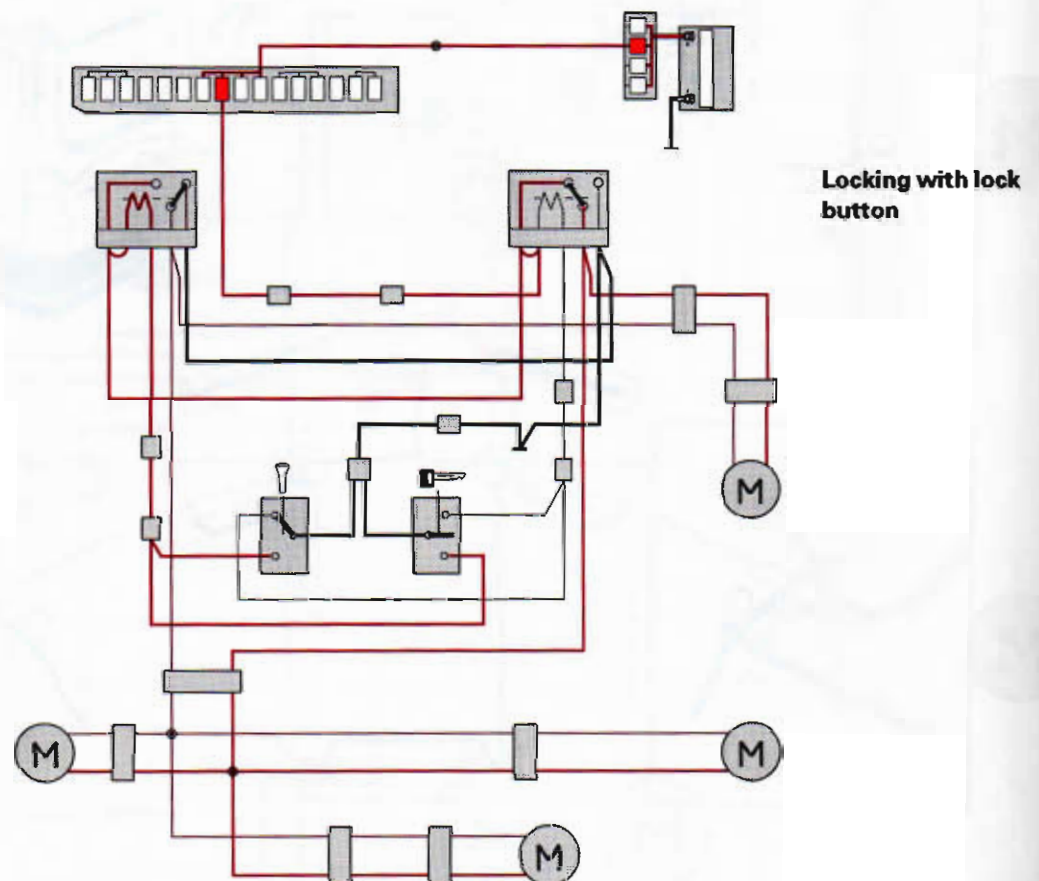
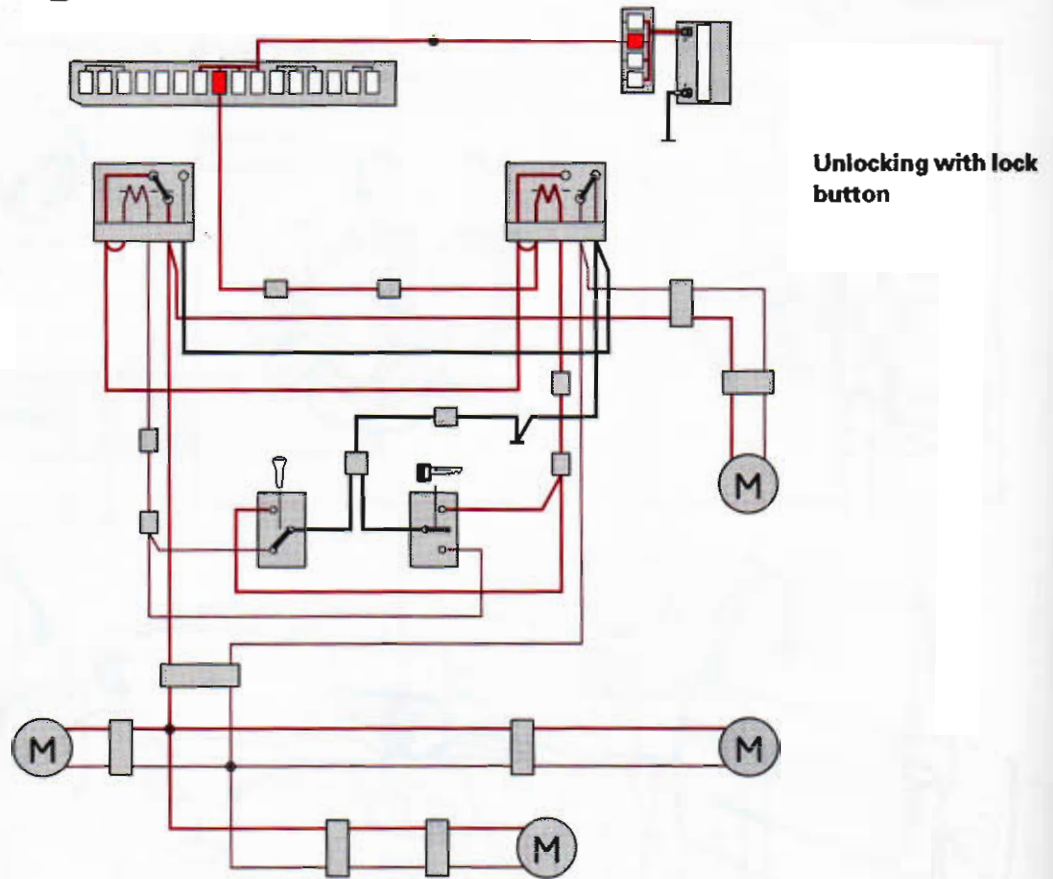
Fuse No. 8
Courtesy light



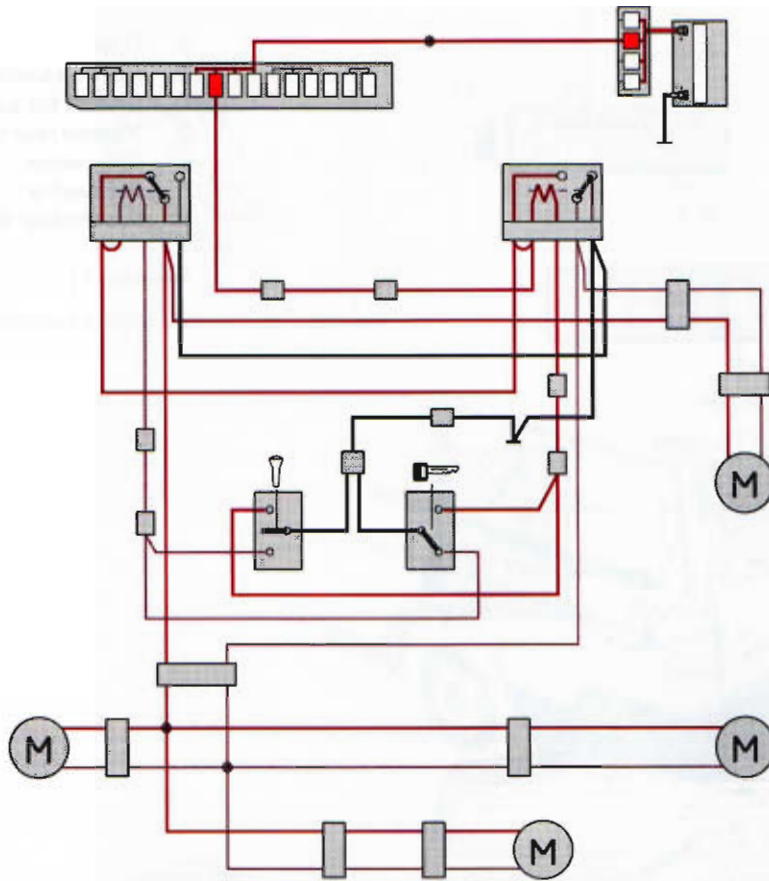
Central locking system, 4 & 5-door models



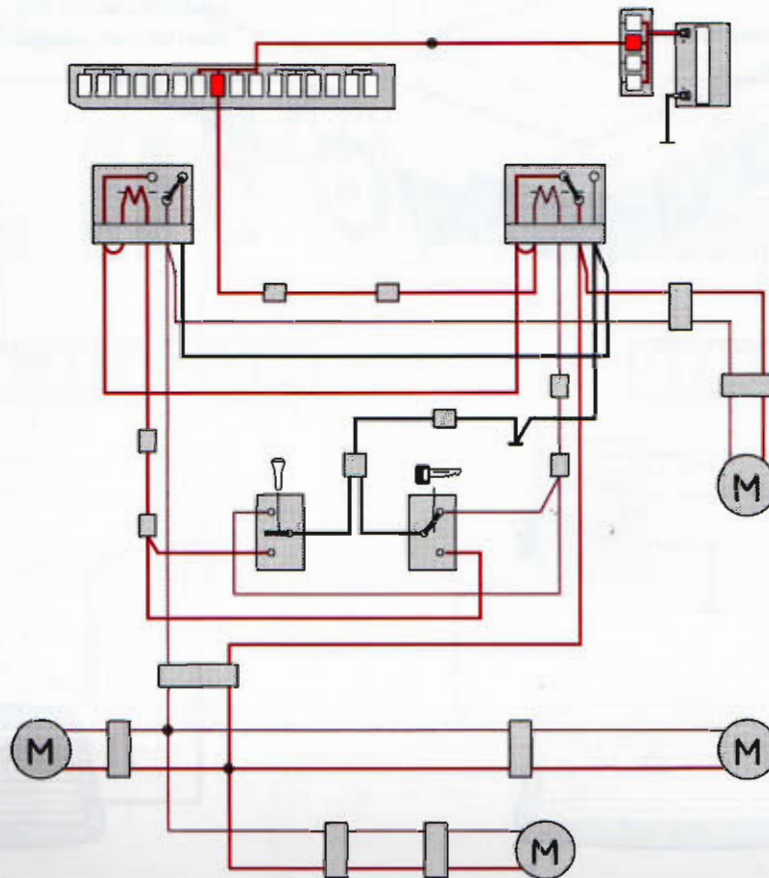
Central locking system, 4 & 5-door models function diagram



Central locking system, 4 & 5-door models function diagram

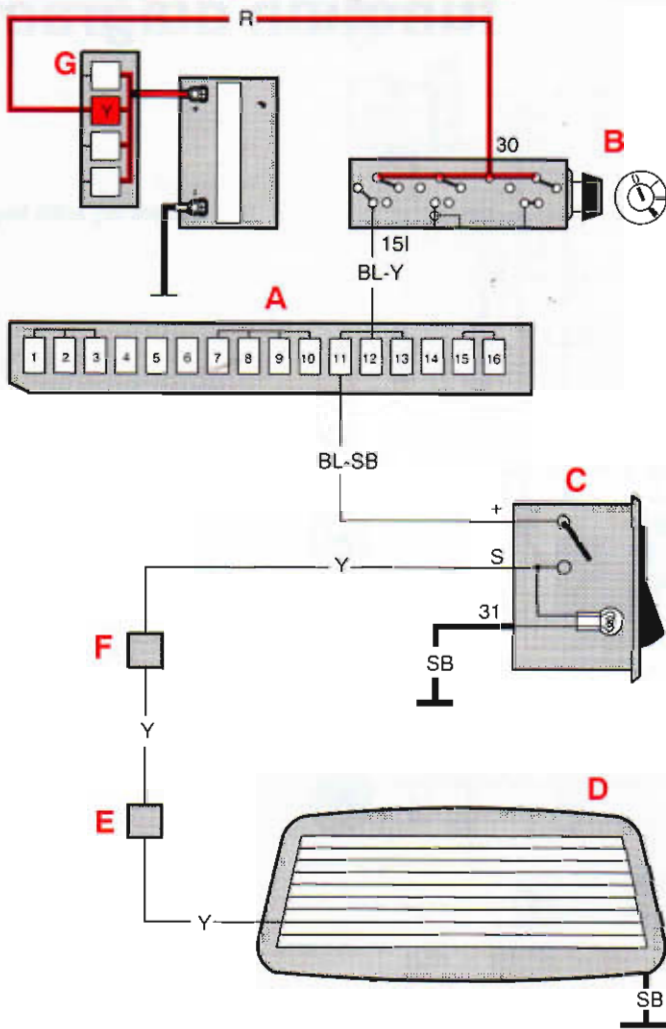


Unlocking with key



Locking with key

Heated rear window

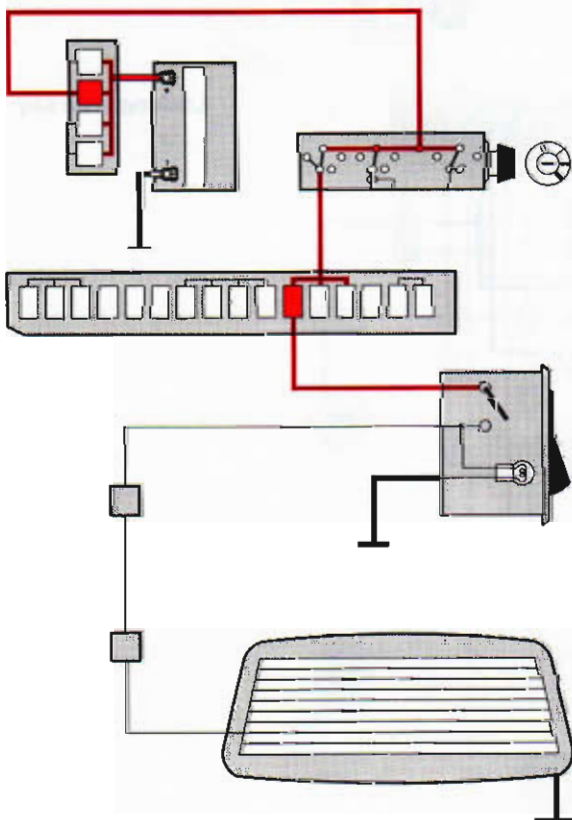


- A Fuse box
- B Ignition switch
- C Switch for heated rear window
- D Heated rear window
- E Connector
- F Connector
- G Fuseholder B+

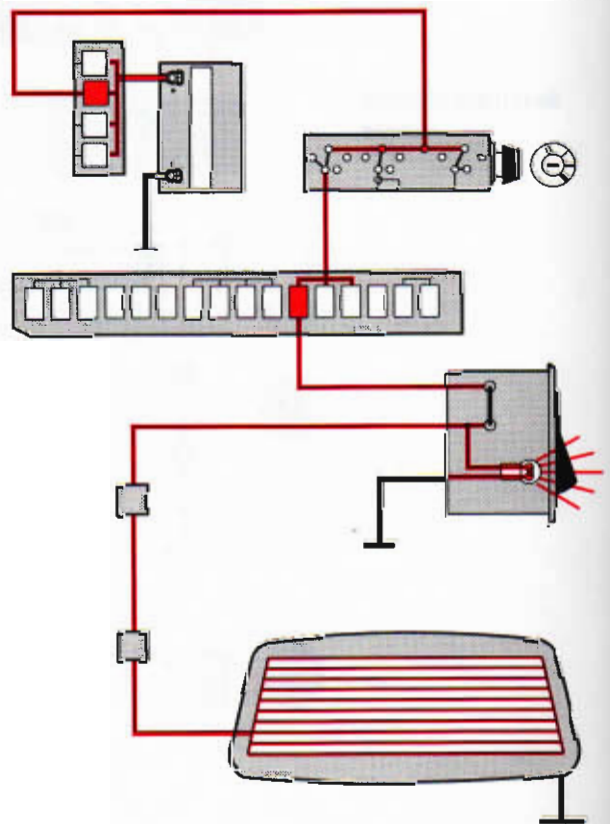
Fuse no. 11

Overdrive (automatic transmission)

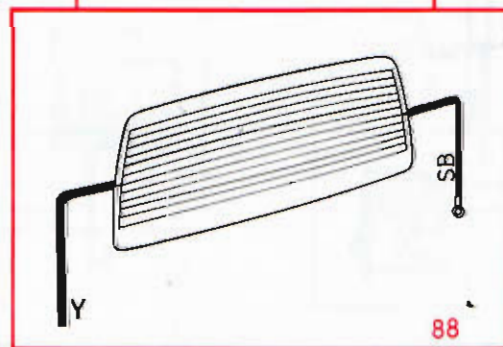
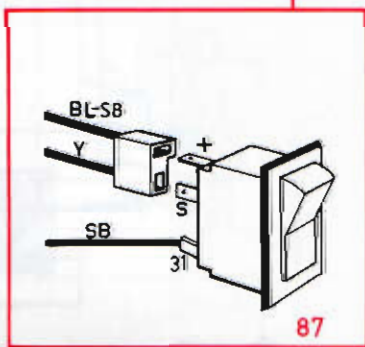
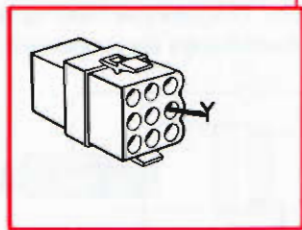
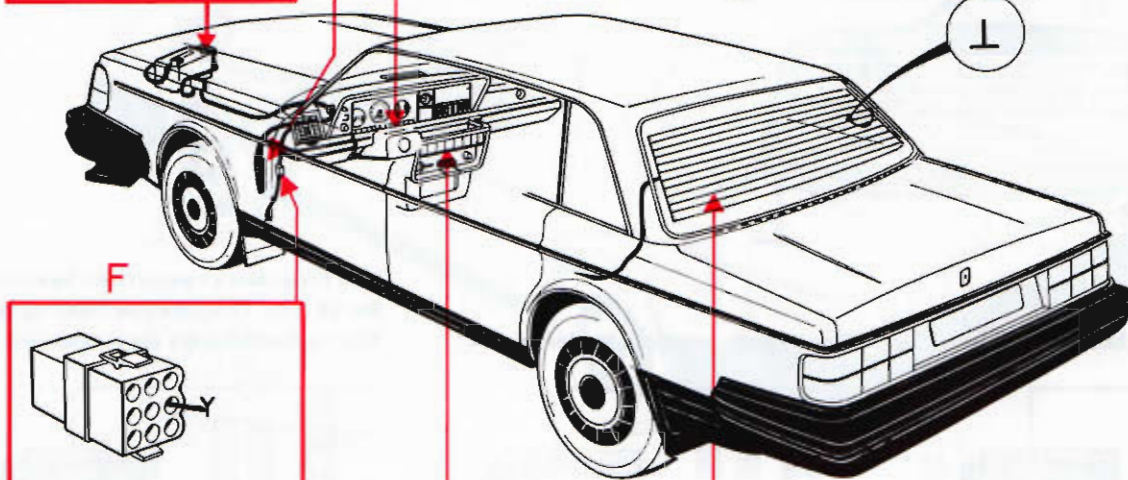
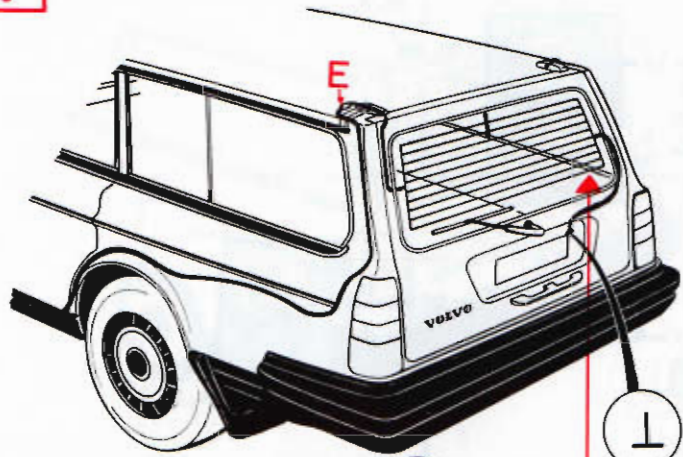
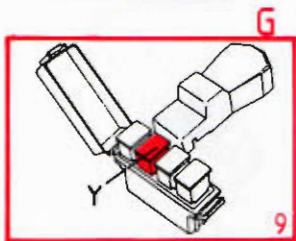
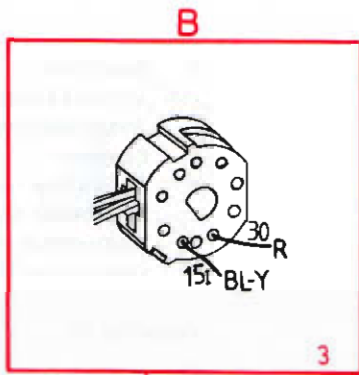
Ignition switch ON
Heated rear window disconnected



Ignition switch ON
Heated rear window connected

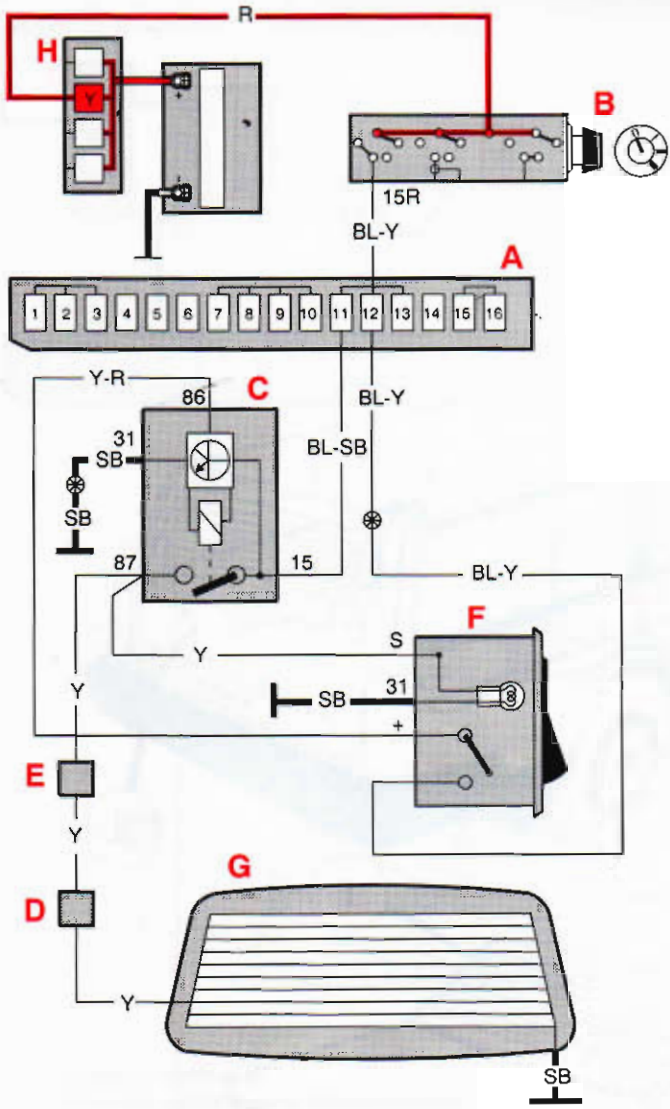


Heated rear window



142577-4

Heated rear window, USA/Canada



- A** Fuse box
- B** Ignition switch
- C** Time delay relay
- D** Contact
- E** Connector
- F** Switch for heated rear window
- G** Heated rear window
- H** Fuseholder B+

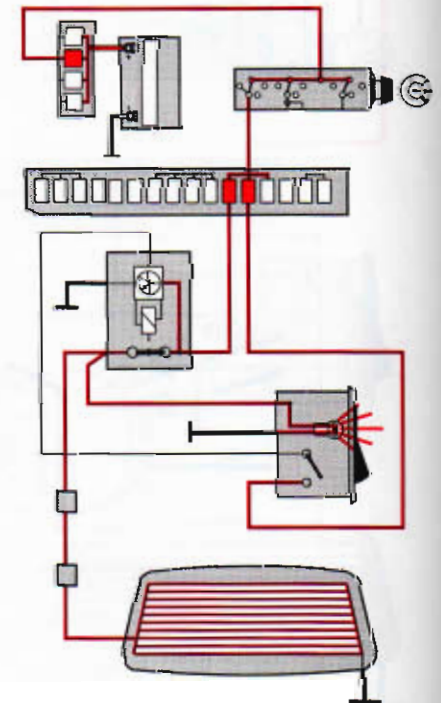
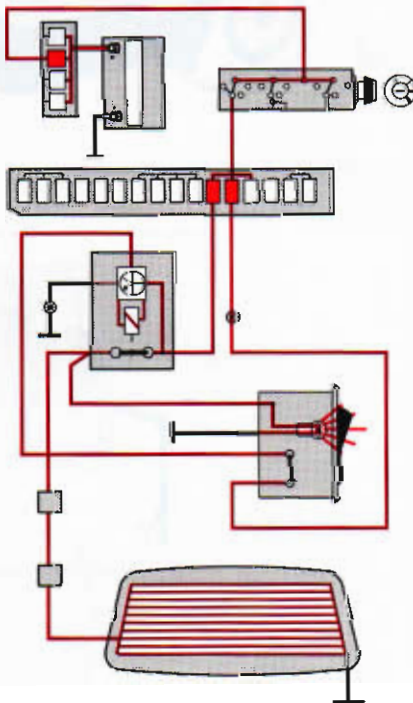
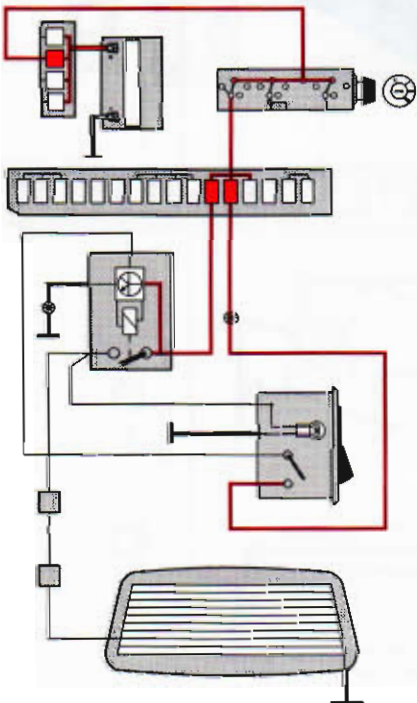
Fuse No. 11
Overdrive (automatic transmission)

Fuse No. 12
Air conditioning (A/C) unit

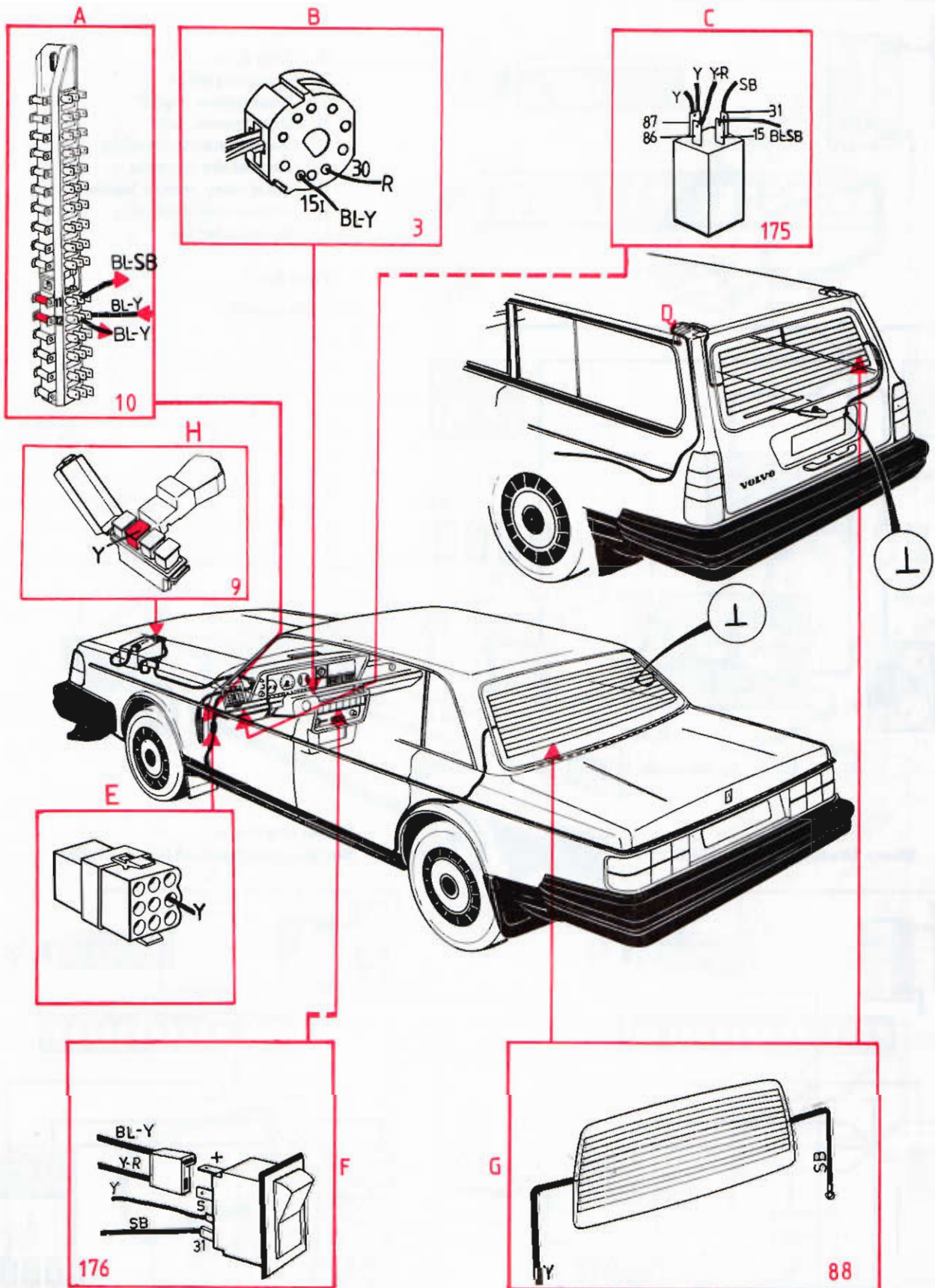
**Ignition ON
Rear window heater OFF**

Heated rear window switched ON

The time delay keeps then heat on for 12 min. The window heating is then automatically disconnected.

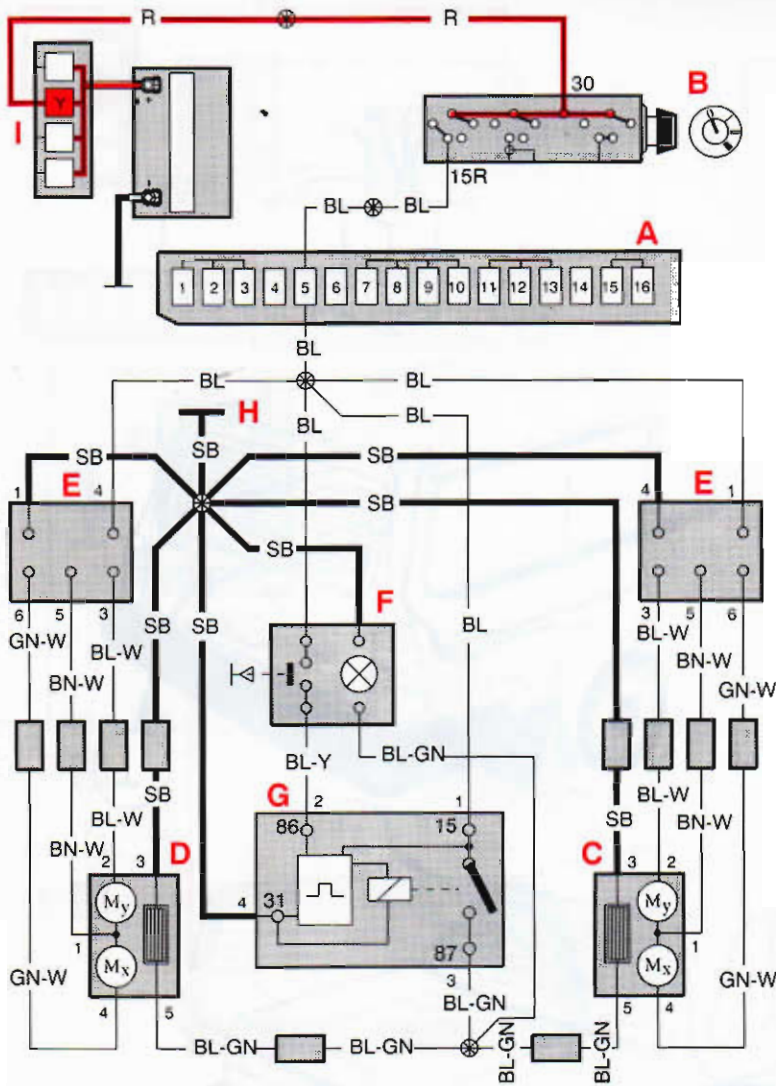


Heated rear window, USA/Canada



J42578-H

Power door mirrors

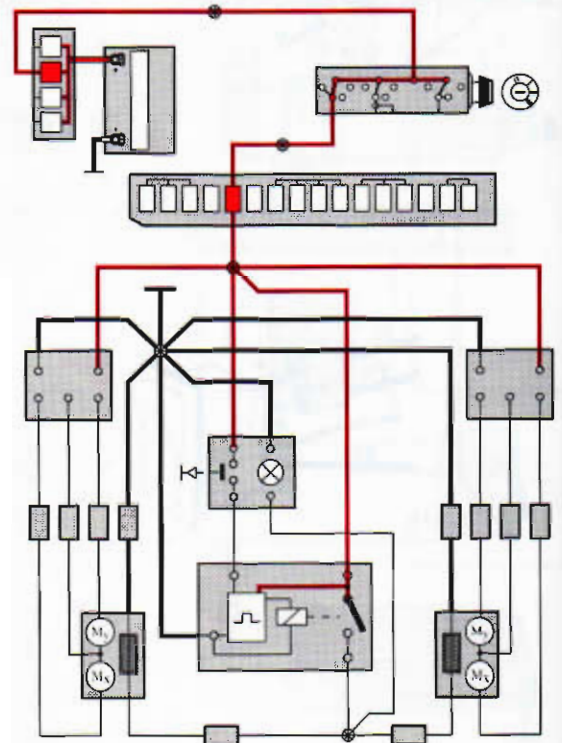
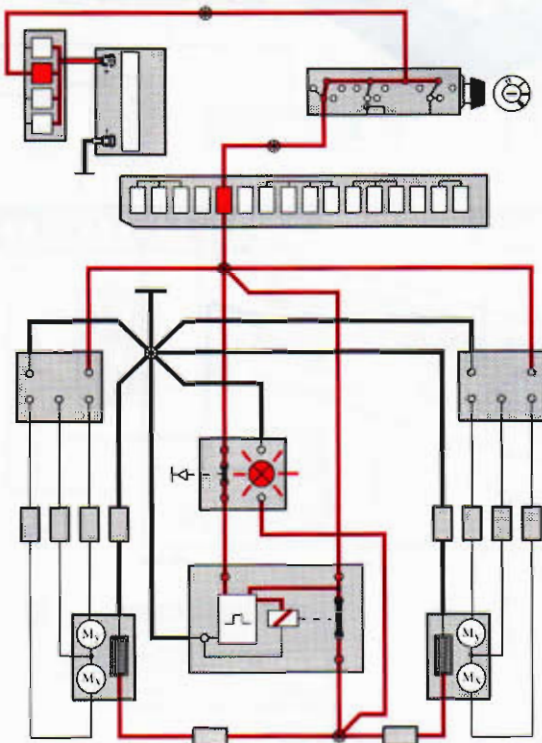


- A** Fuse box
- B** Ignition switch
- C** Door mirror, right
- D** Door mirror, left
- E** Switch, mirror heating
- F** Handbrake console
- G** Time relay, mirror heating
- H** Ground connection
- I** Fuseholder B+

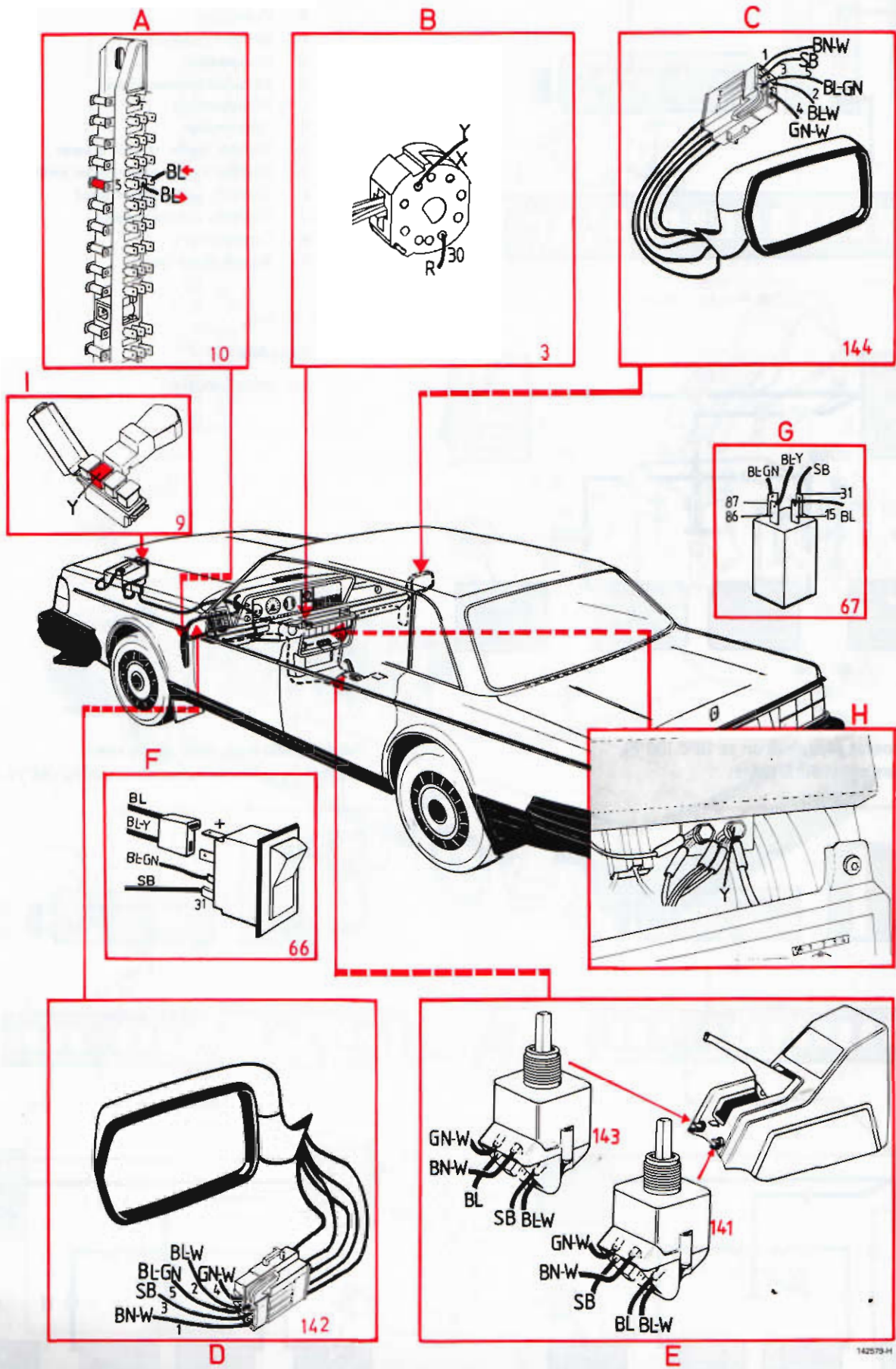
Fuse No. 5
Turn signals

Mirror heating switched ON

**Mirror heating on
Supply disconnected by time relay**

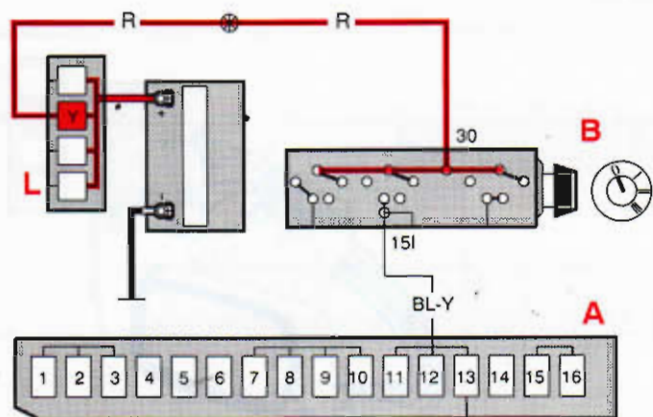


Power door mirrors

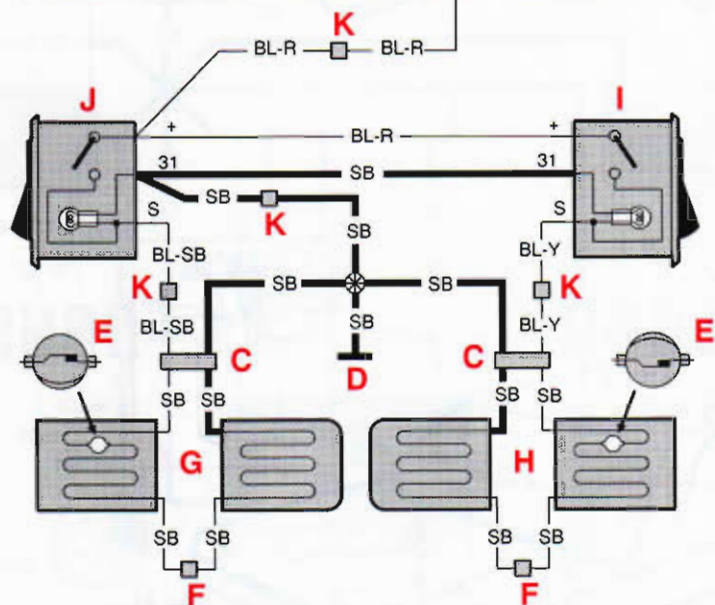


142579-H

Heated seats



- A Fuse box
- B Ignition switch
- C Connector
- D Ground connection
- E Thermostat
- F Connector
- G Heater pads, driver's seat
- H Heater pads, passenger seat
- I Switch, passenger seat
- J Switch, driver's seat
- K Connector
- L Fuseholder B+

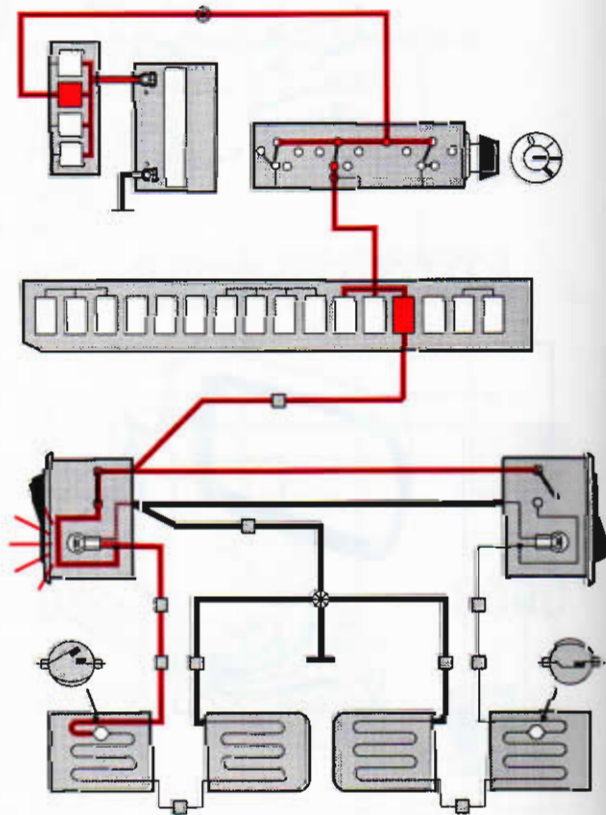
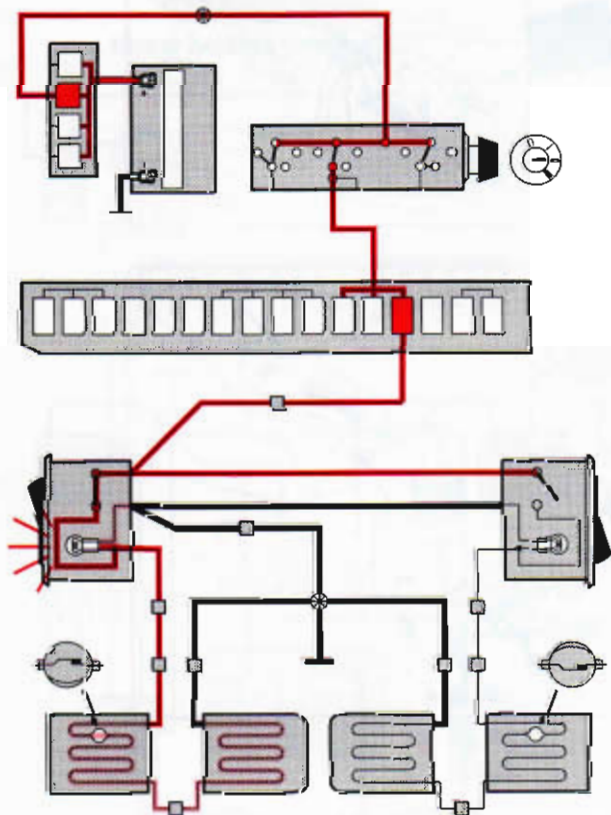


Fuse No. 13

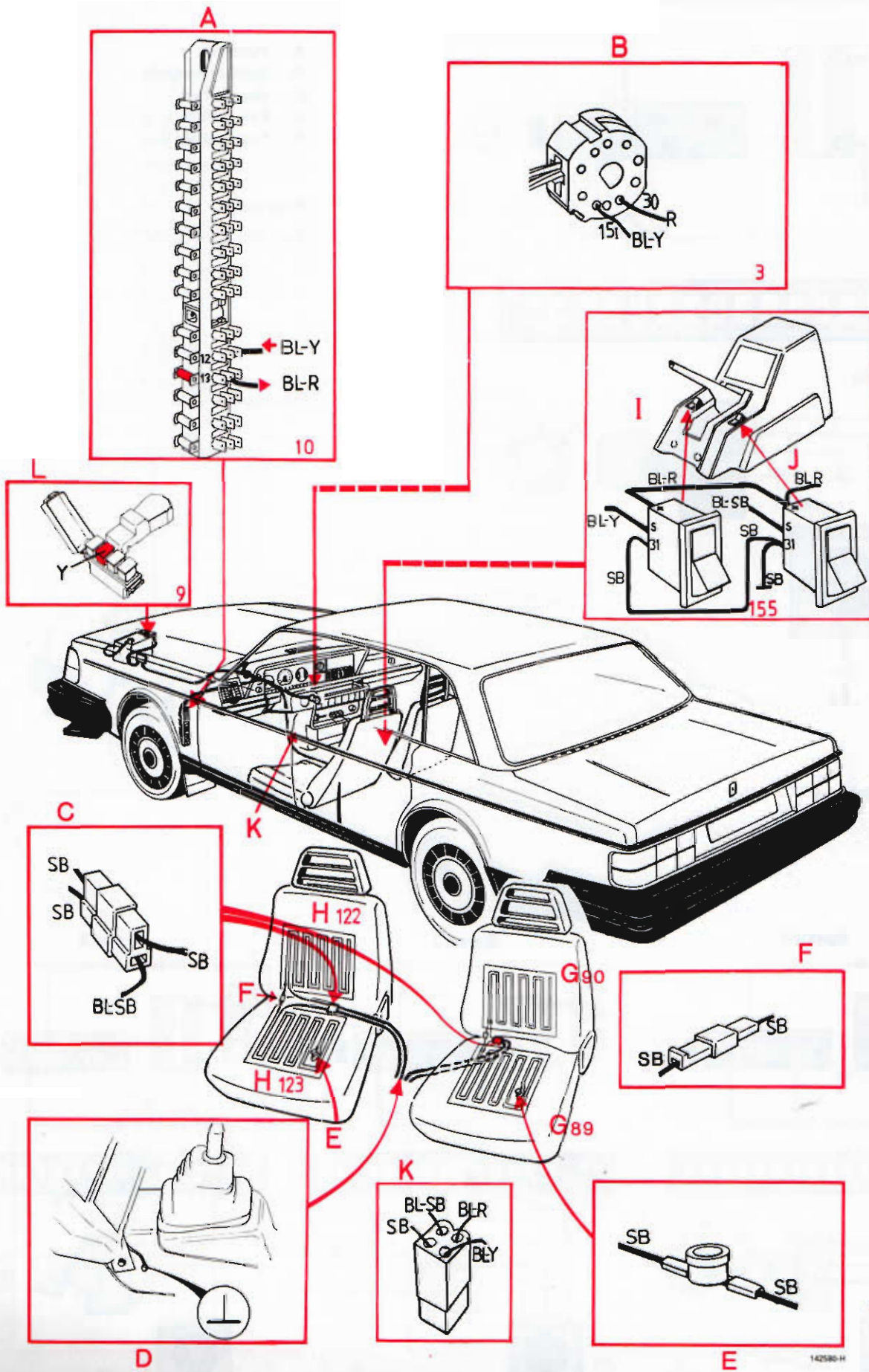
No other function

Thermostat switches on at 10°C (50°F),
switches off at 30°C (86°F)

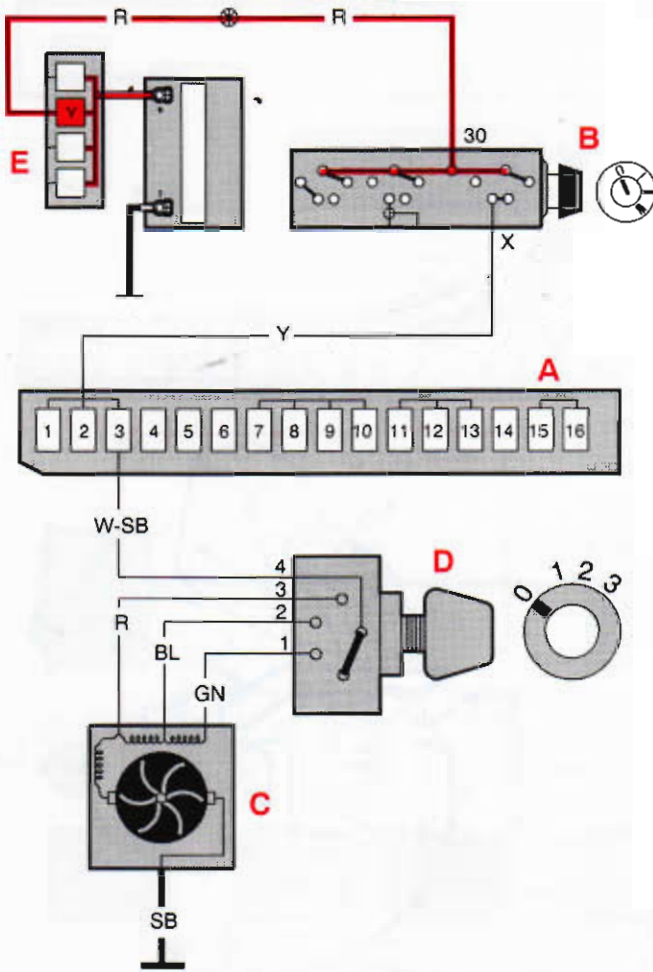
Heater pads switched off by ther-
mostat at temperatures above 30°C (86°F).



Heated seats



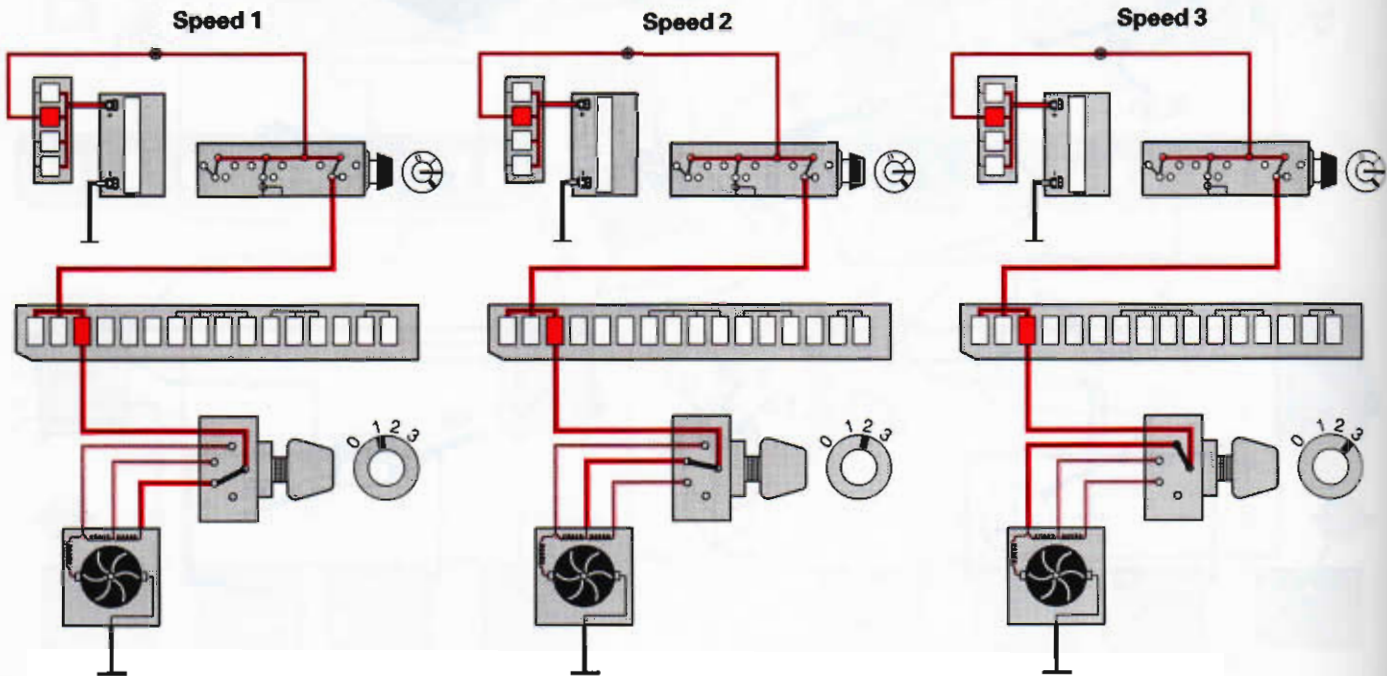
Heater fan, standard unit



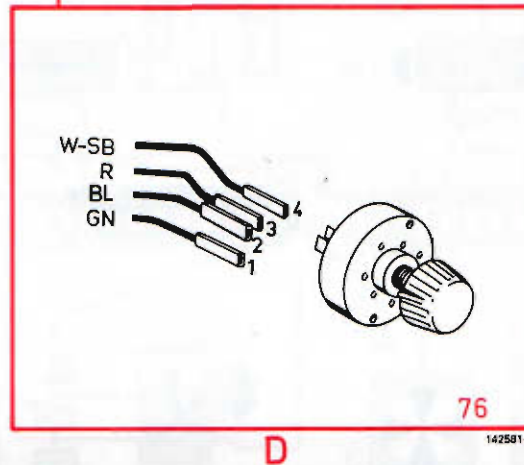
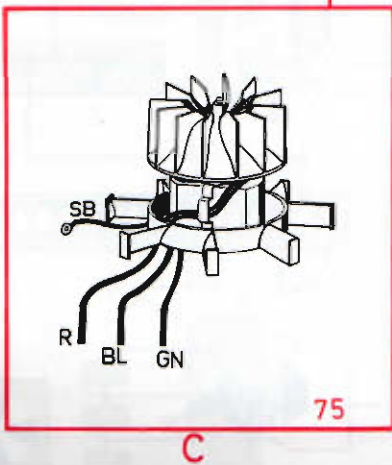
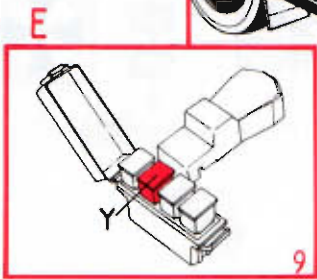
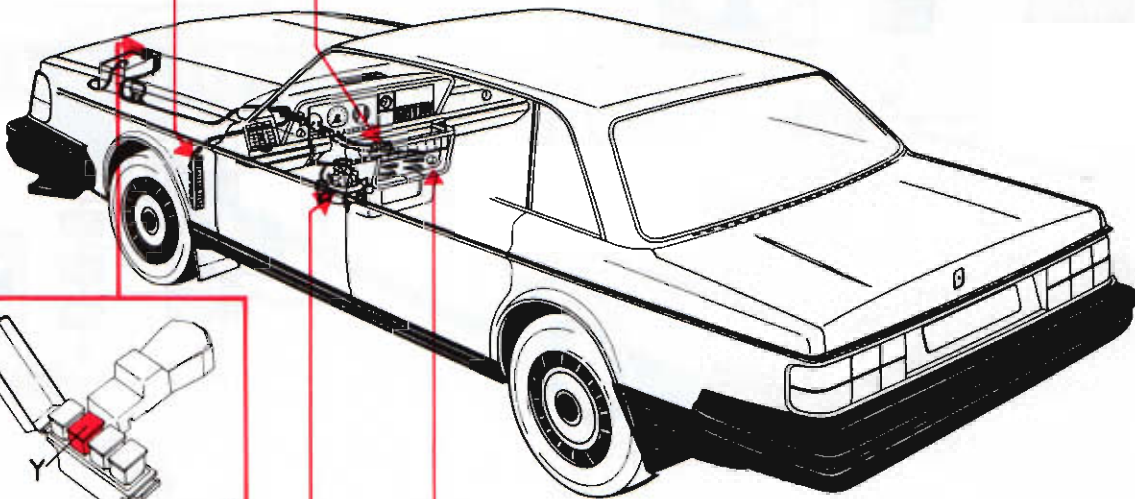
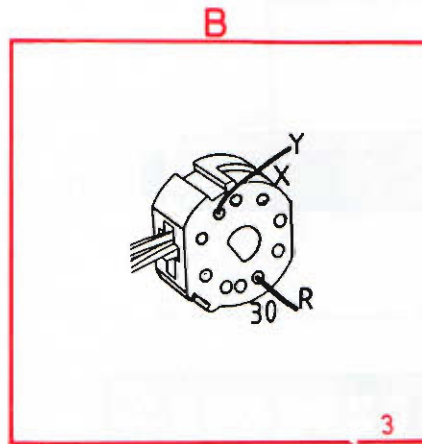
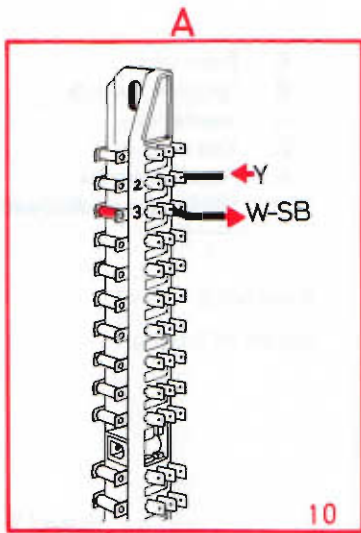
- A** Fuse box
- B** Ignition switch
- C** Heater fan
- D** Fan switch
- E** Fuseholder B+

Fuse no. 3

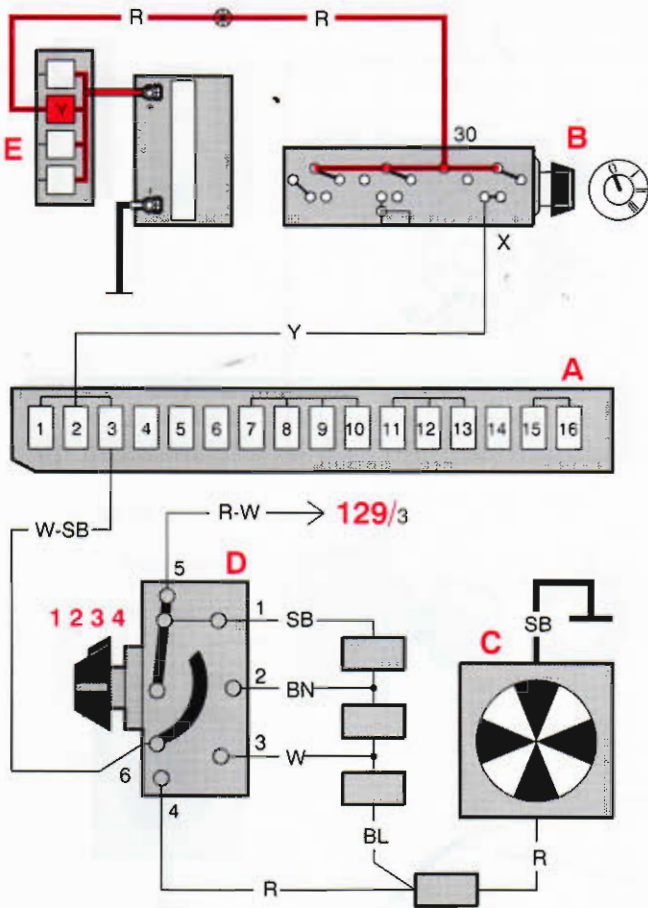
No other functions



Heater fan, standard unit

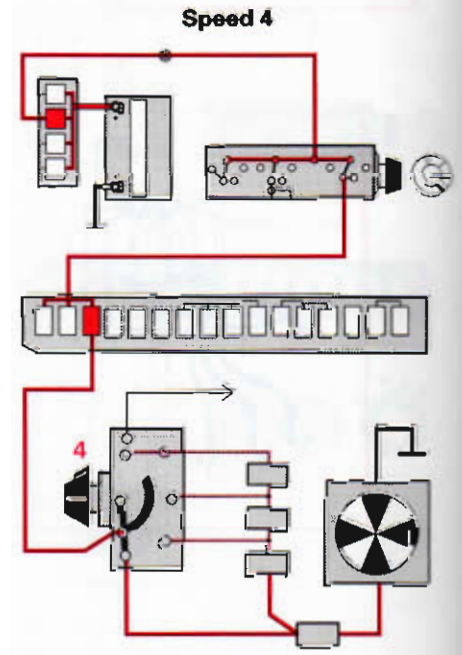
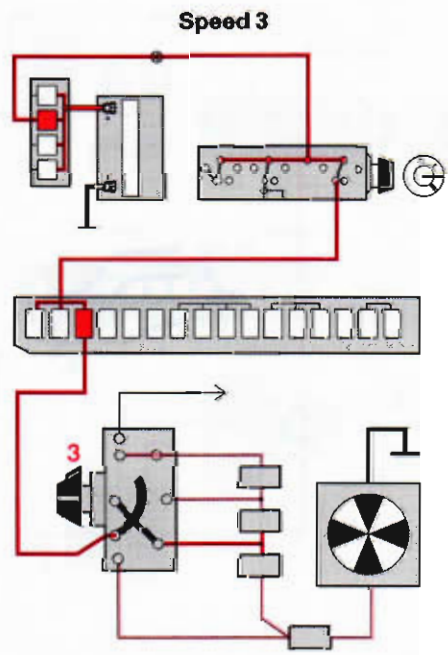
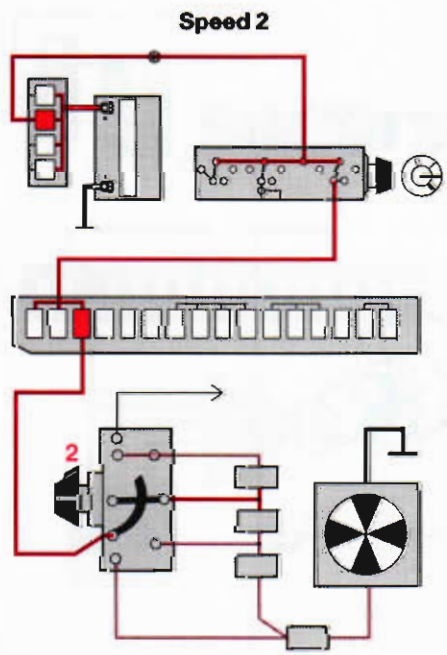
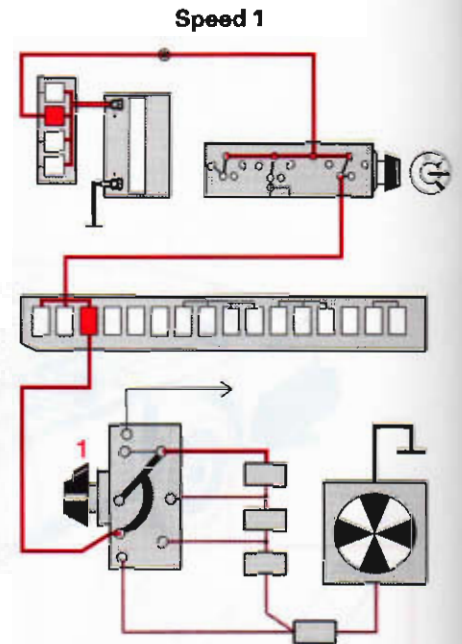


Heater fan, combined unit (CU)

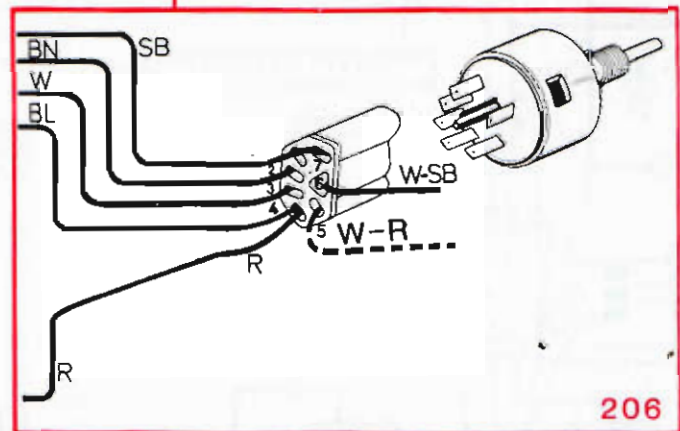
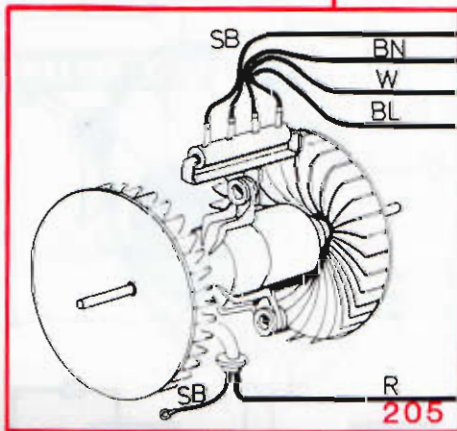
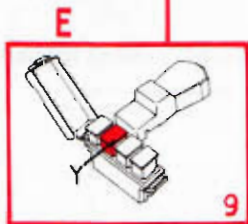
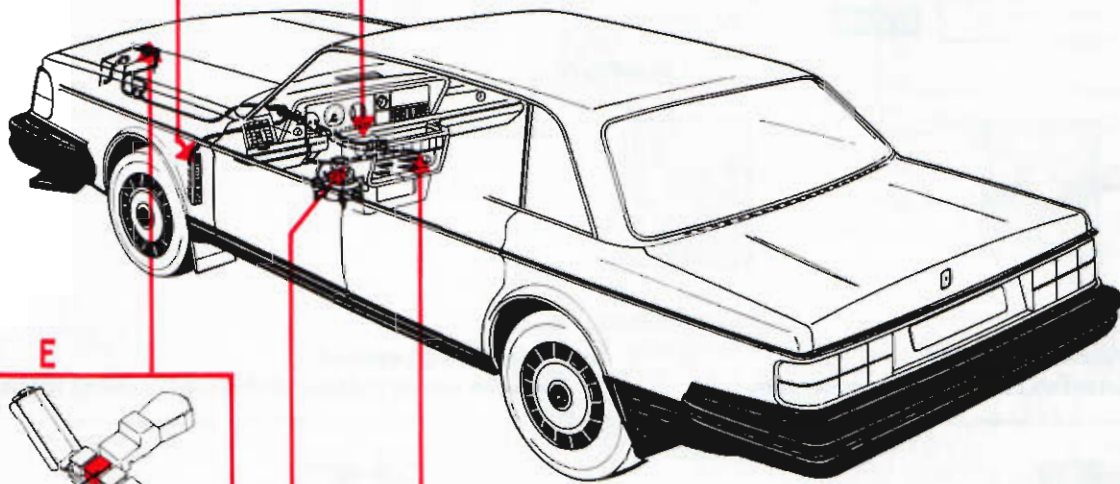
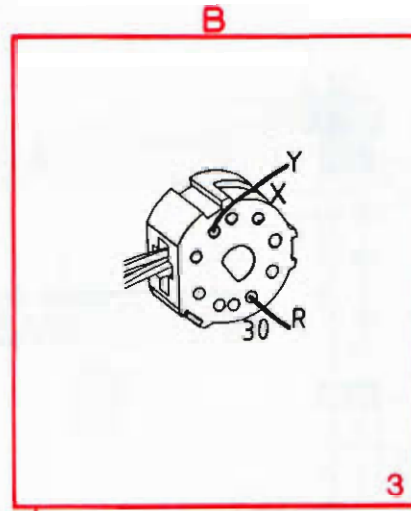
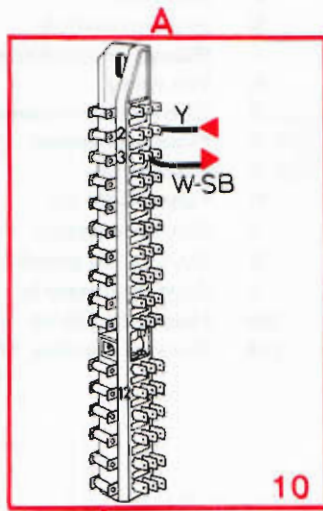


- A Fuse box
- B Ignition switch
- C Heater fan
- D Fan switch
- E Fuseholder B+
- 129 Relay air conditioner (A/C)

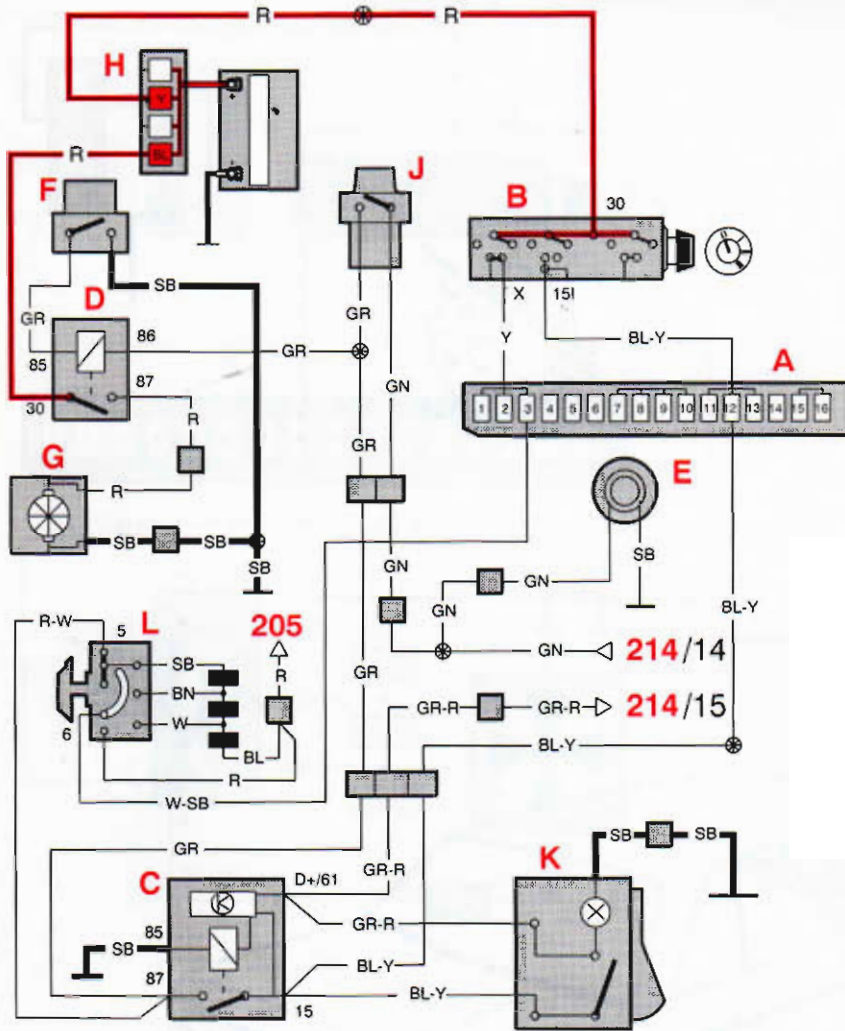
Fuse no. 3
No other functions



Heater fan, combined unit (CU)

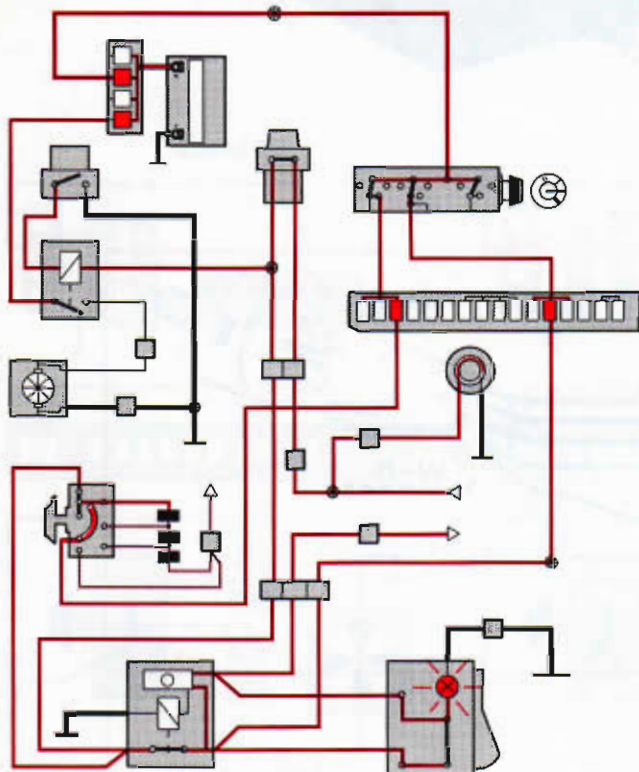


Air conditioning (A/C) with fan

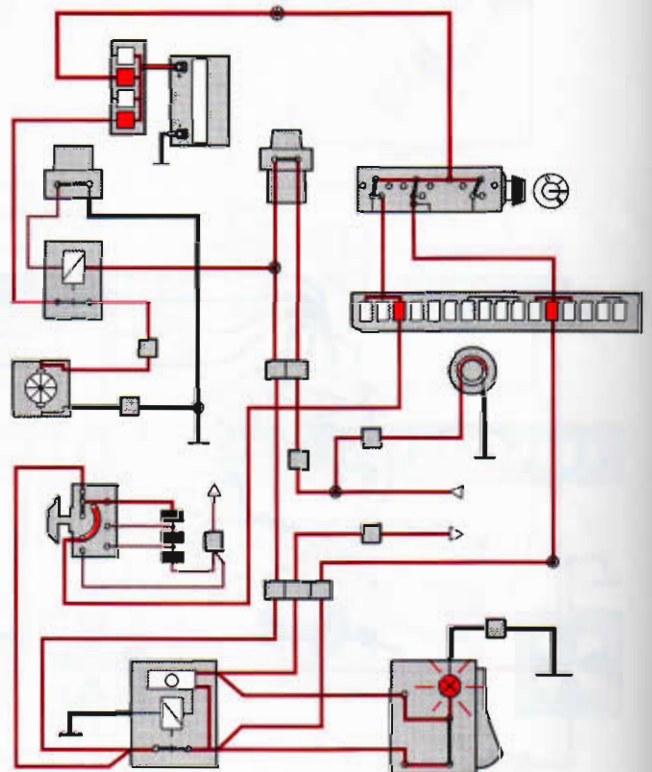


- A Fuse box
- B Ignition switch
- C Relay, air conditioner (A/C)
- D Fan relay
- E Compressor solenoid
- F Pressure sensor
- G Electric fan
- H Fuseholder B+
- J Pressure sensor, dryer
- K Switch, air conditioner (A/C)
- L Switch, heater fan
- 205 Heater fan comb. heater
- 214 Control module, LH-Jetronic MFI

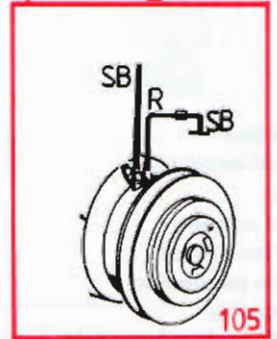
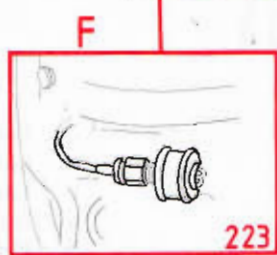
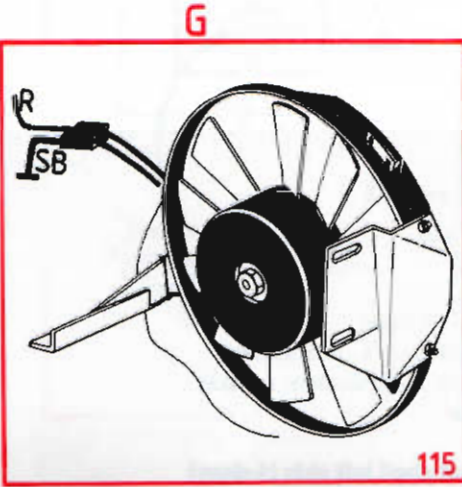
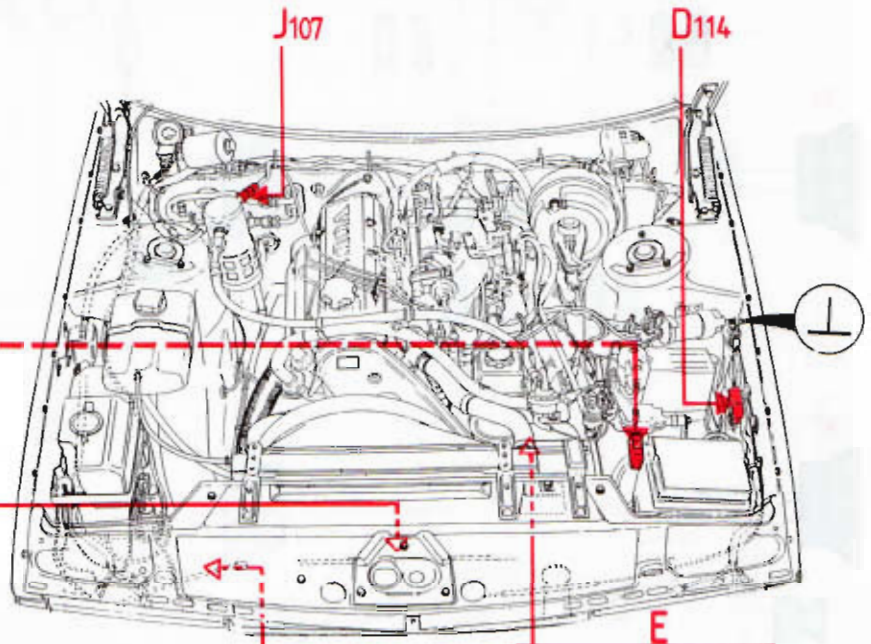
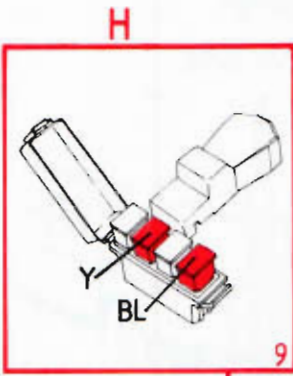
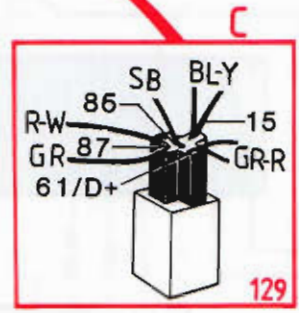
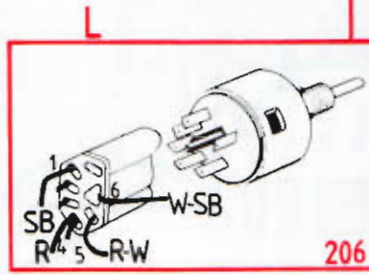
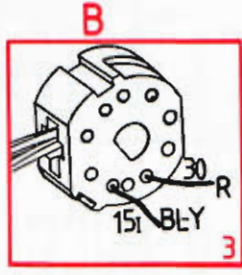
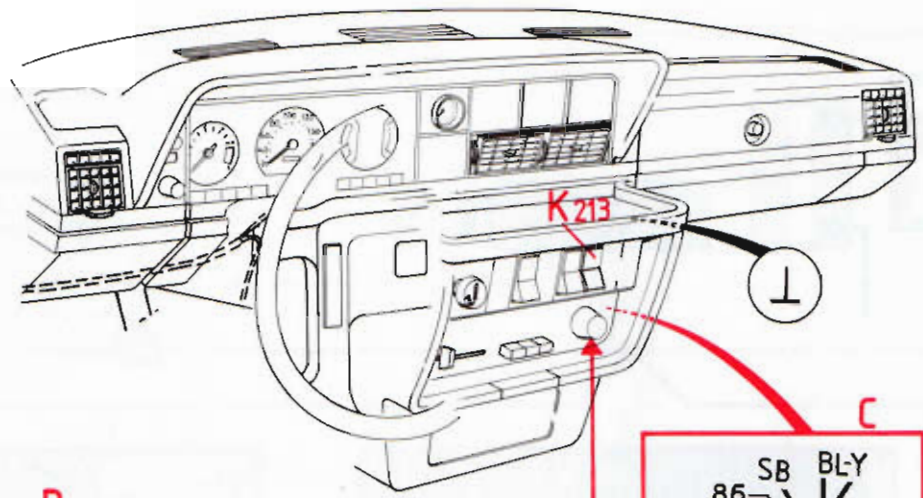
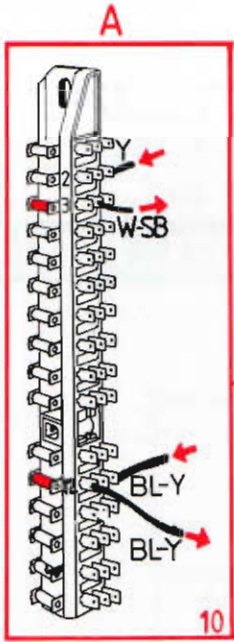
Air conditioning ON
Heater fan 205 cuts in automatically



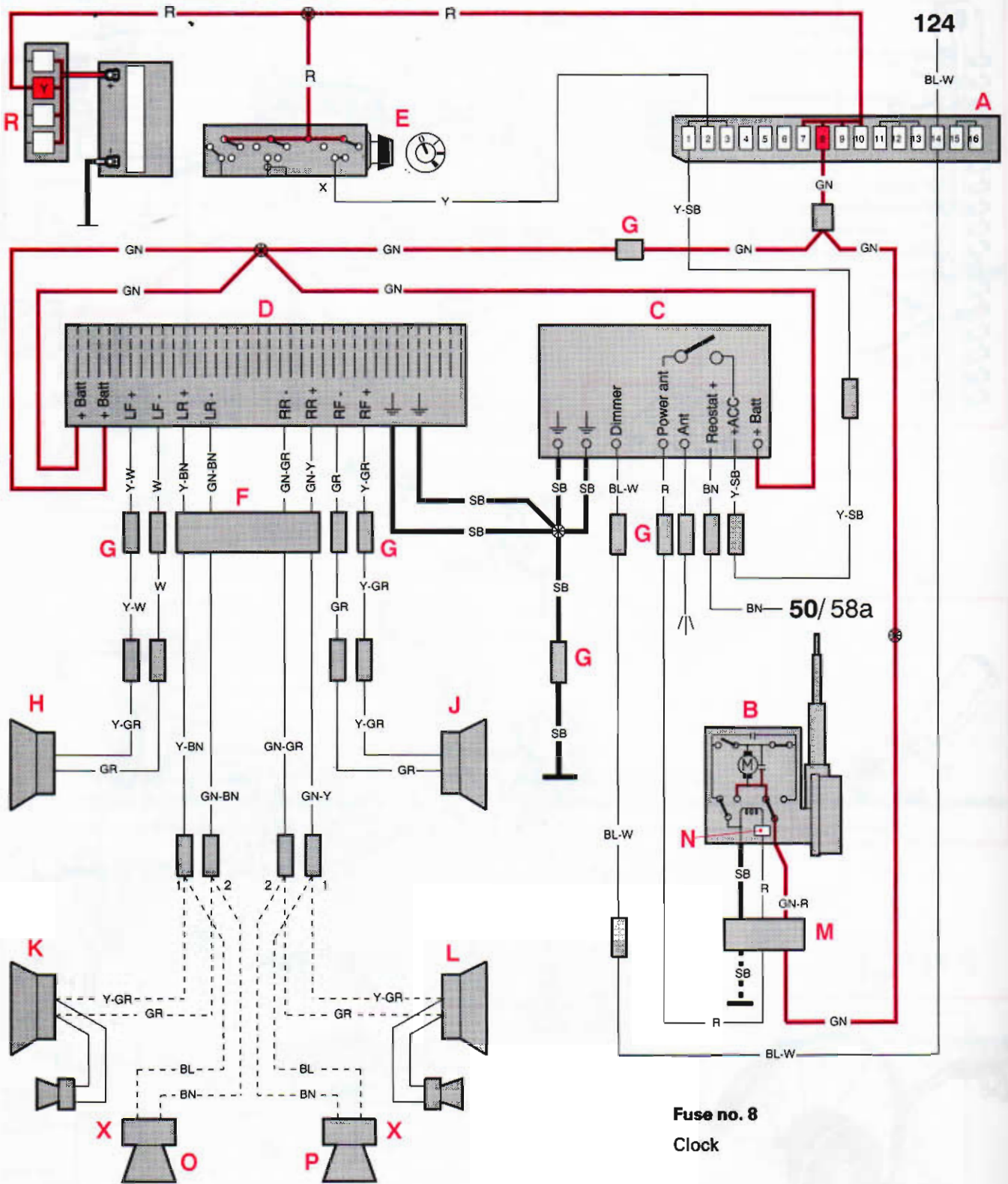
Extra cooling required
Pressure sensor F closed and electric cooling fan connected



Air conditioning (A/C) with fan



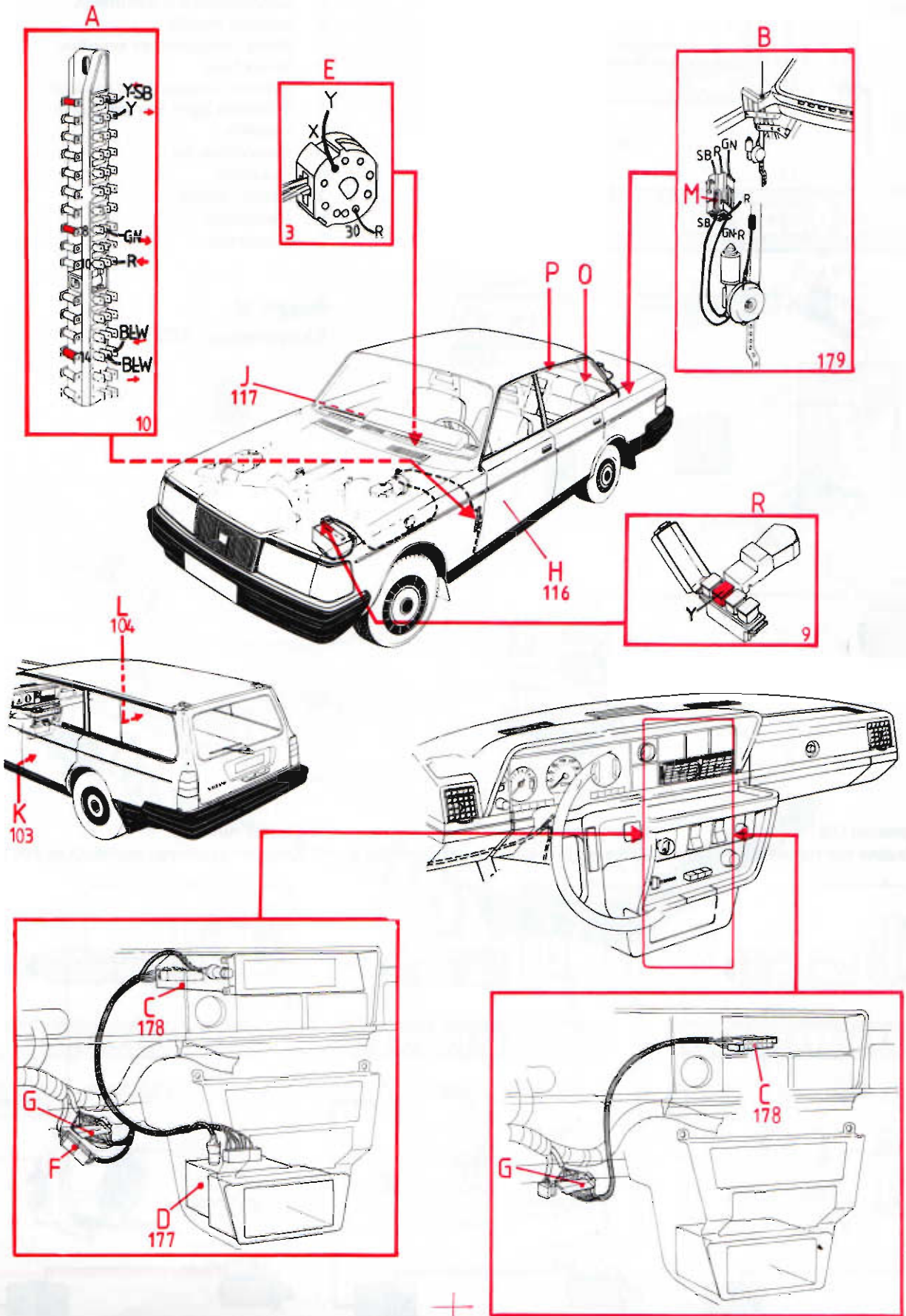
Radio with extra amplifier and power antenna



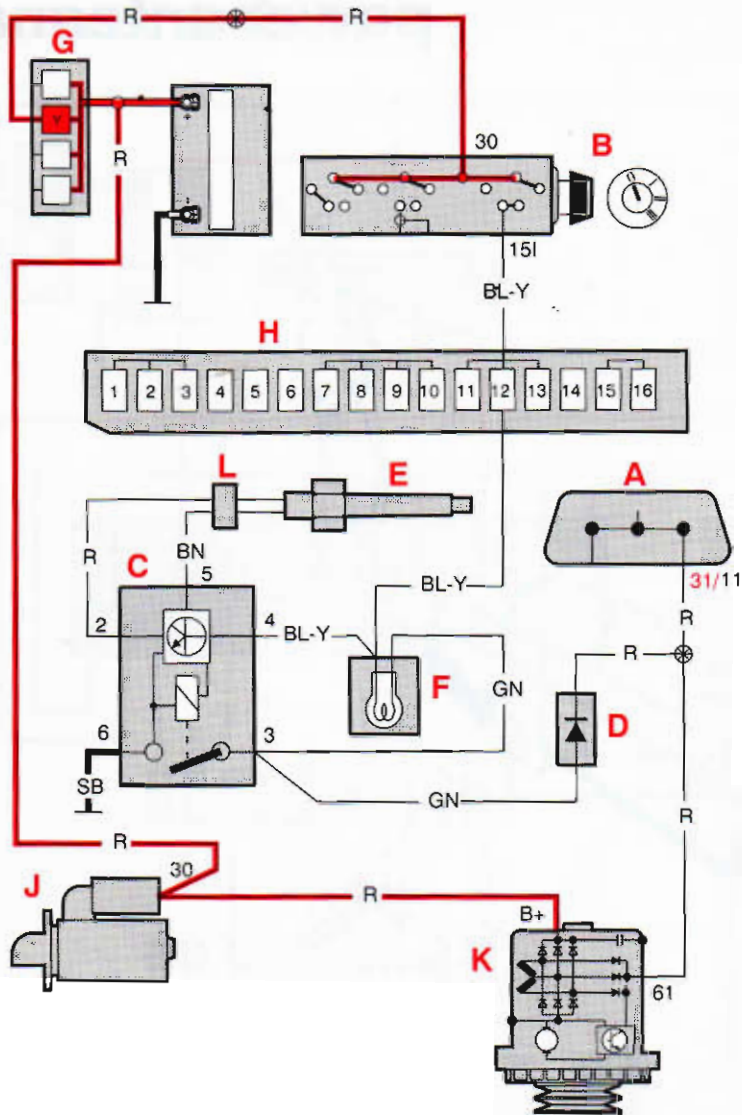
- A Fuse box
- B Power antenna
- C Radio
- D Extra amplifier
- E Ignition switch
- F 4-pole connector
- G Connector
- H Loudspeaker, front left

- J Loudspeaker, front right
- K Loudspeaker, rear left (5-door estate)
- L Loudspeaker, rear right (5-door estate)
- M 4-pole connector
- N Delay circuit
- O Loudspeaker, hat shelf left side (4-door)
- P Loudspeaker, hat shelf right side (4-door)
- R Fuseholder B+

Radio with extra amplifier and power antenna



Temperature sensor, Japan



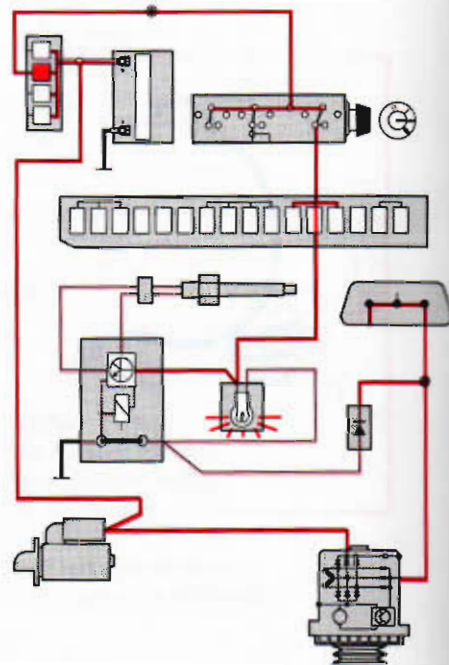
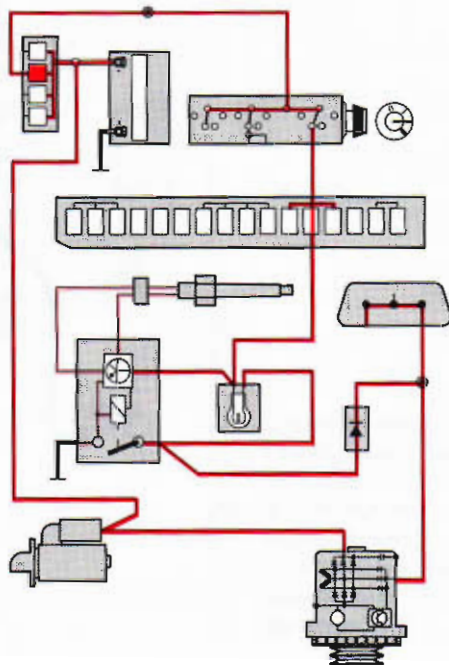
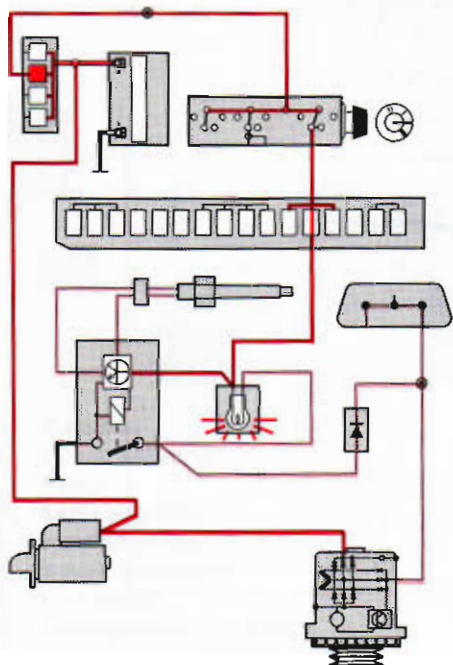
- A Connectors at instrument
- B Ignition switch
- C Relay, temperature monitor
- D Diode box
- E Sensor, temperature monitor
- F Indicator light, temperature monitor
- G Fuseholder B+
- H Fuse box
- J Starter motor
- K Generator
- L Connector

Fuse no. 12
Air conditioner (A/C)

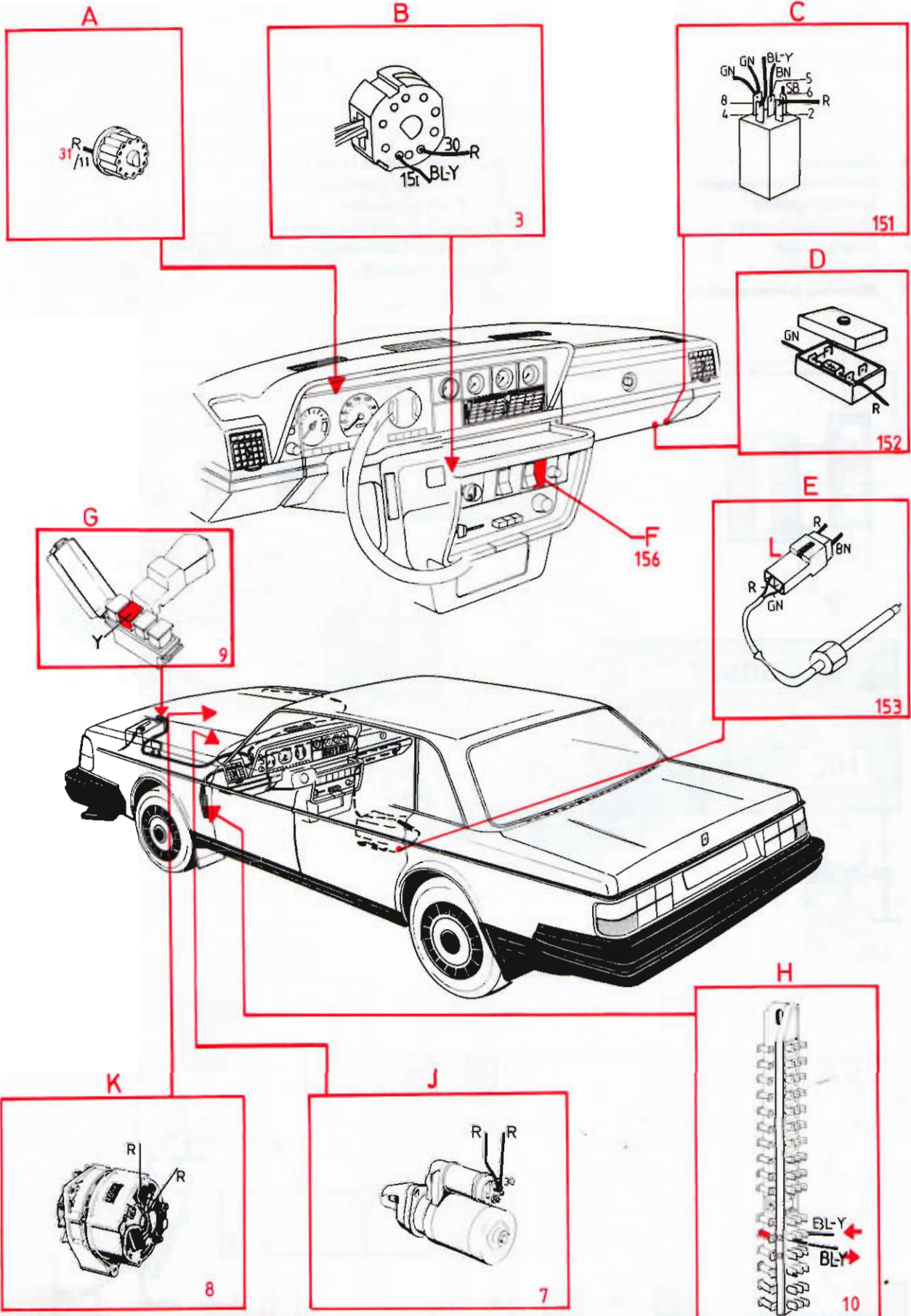
Ignition ON
Engine not running

Engine running
Exhaust gas temp. lower than 850°C

Engine running
Exhaust gas temp. higher than 850°C



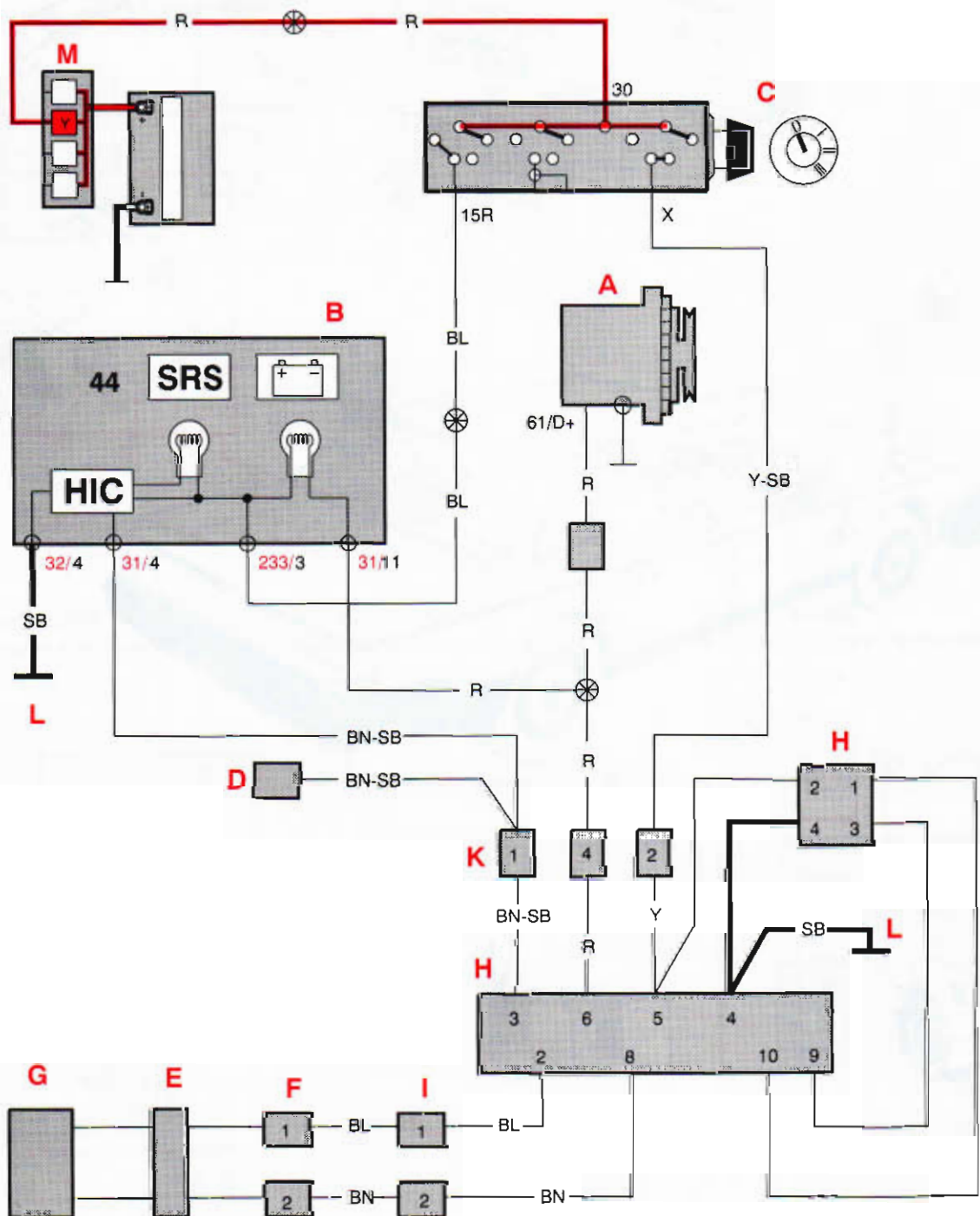
Temperature sensor, Japan



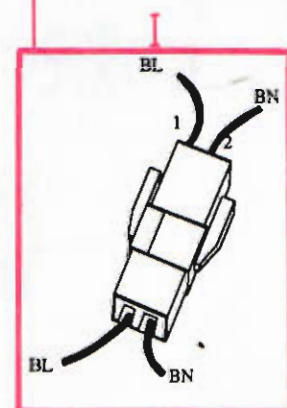
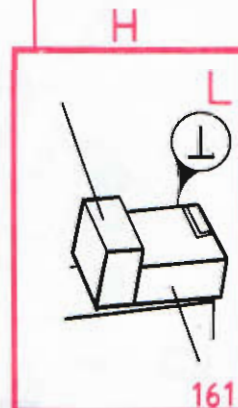
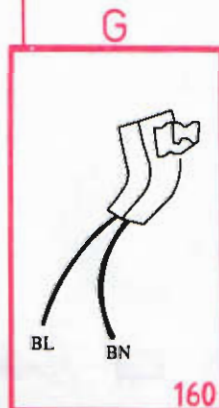
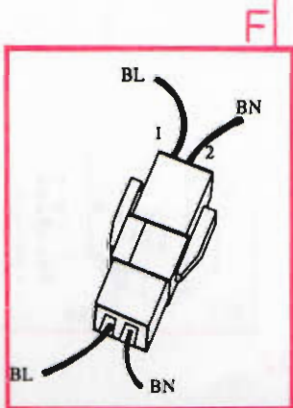
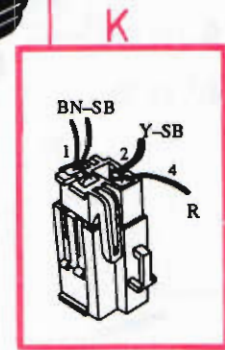
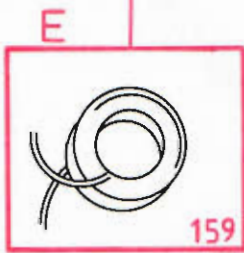
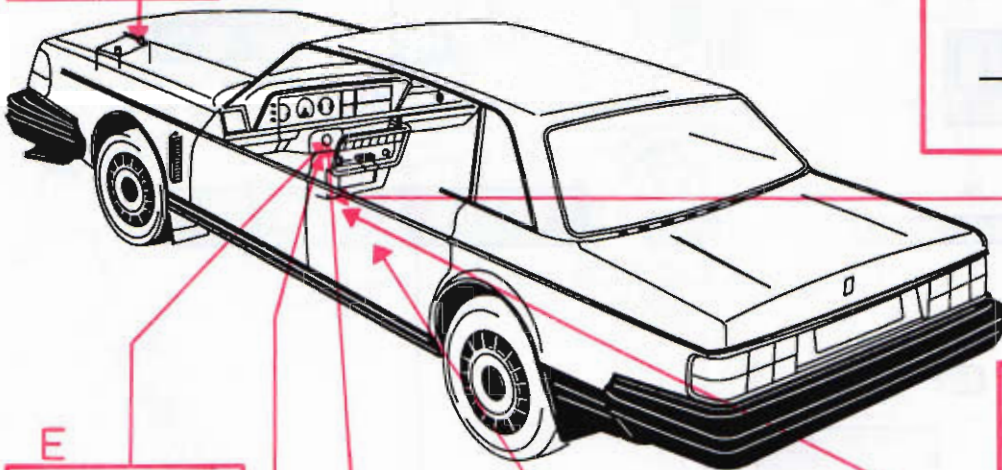
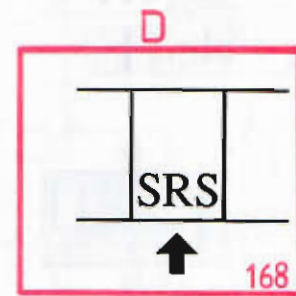
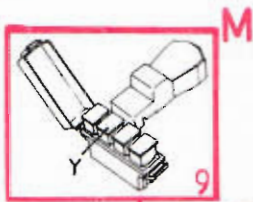
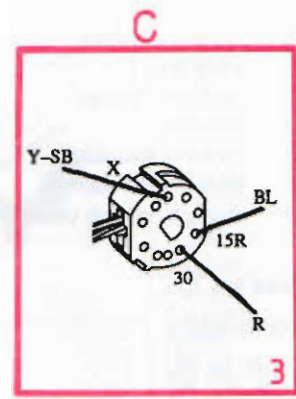
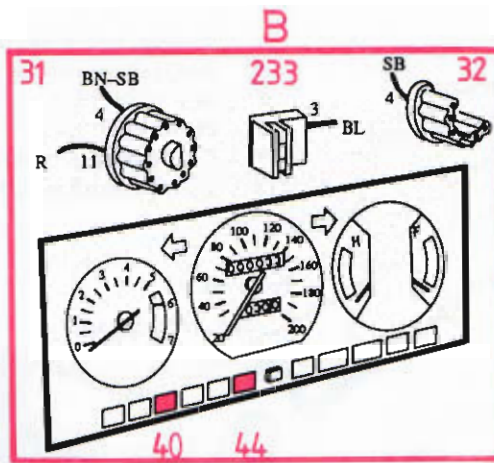
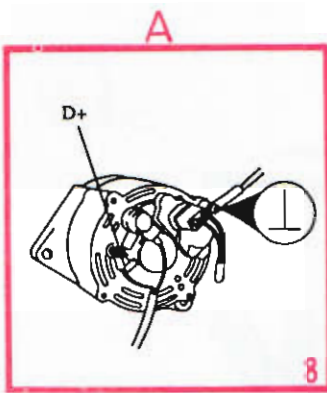
Supplemental Restraint System (SRS)

- A Generator
- B Combined instrument
- C Ignition switch
- D Diagnostic socket
- E Contact reel
- F 2-pin connector
- G Steering wheel module

- H Crash sensor (161) Standby unit (165)
- I 2-pin connector
- K 4-pin connector (yellow)
- L Ground connection at centre tunnel
- M Fuseholder B+



Supplemental Restraint System (SRS)



Cruise control

- A Ignition switch
- B Fuse box
- C Vacuum pump
- D Switch
- E Control module
- F Brake light switch
- G Switch, clutch pedal

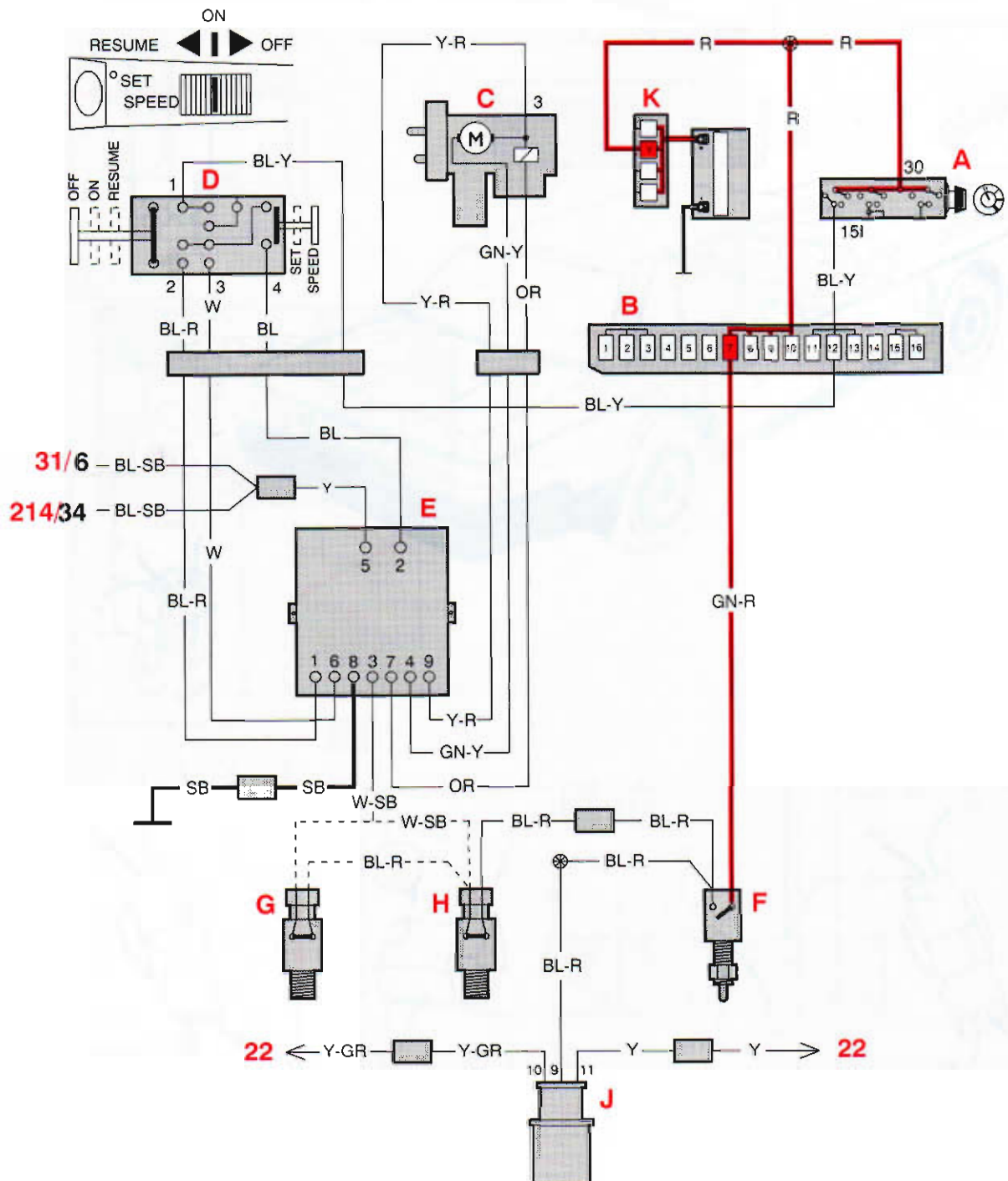
- H Switch, brake pedal
- J Bulb failure sensor
- K Fuseholder B+
- 22 Brake light bulb
- 31 Connection at instrument
- 214 Control module, LH-Jetronic MFI

Fuse no. 7

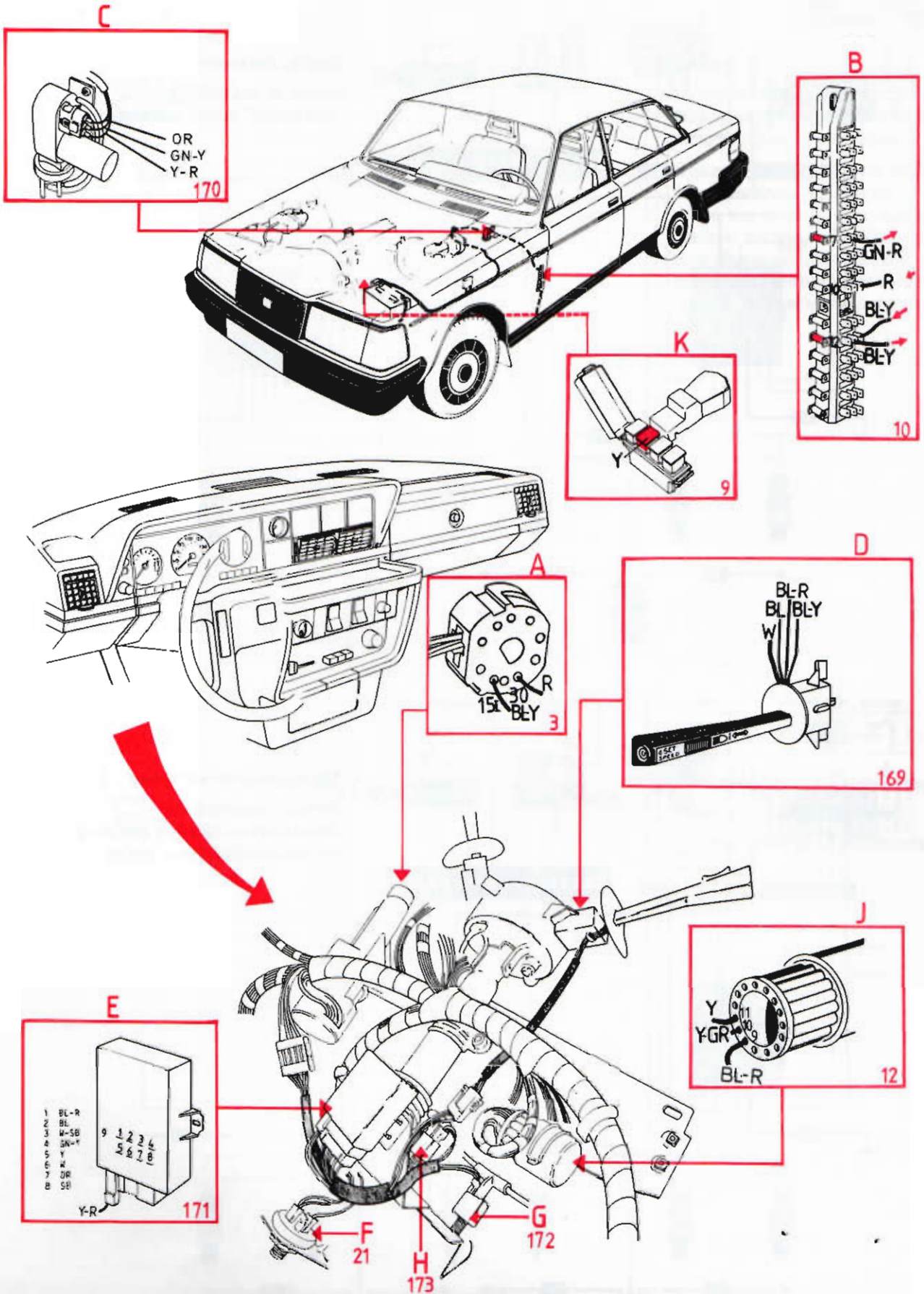
Brake light

Fuse no. 12

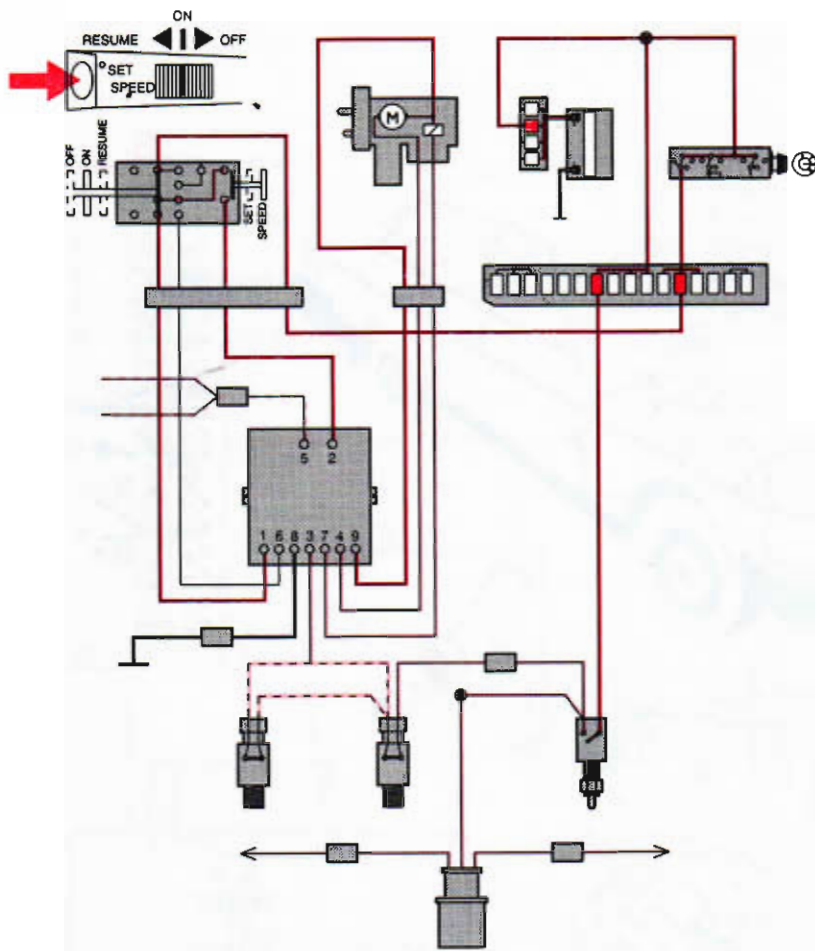
Air conditioner (A/C)



Cruise control

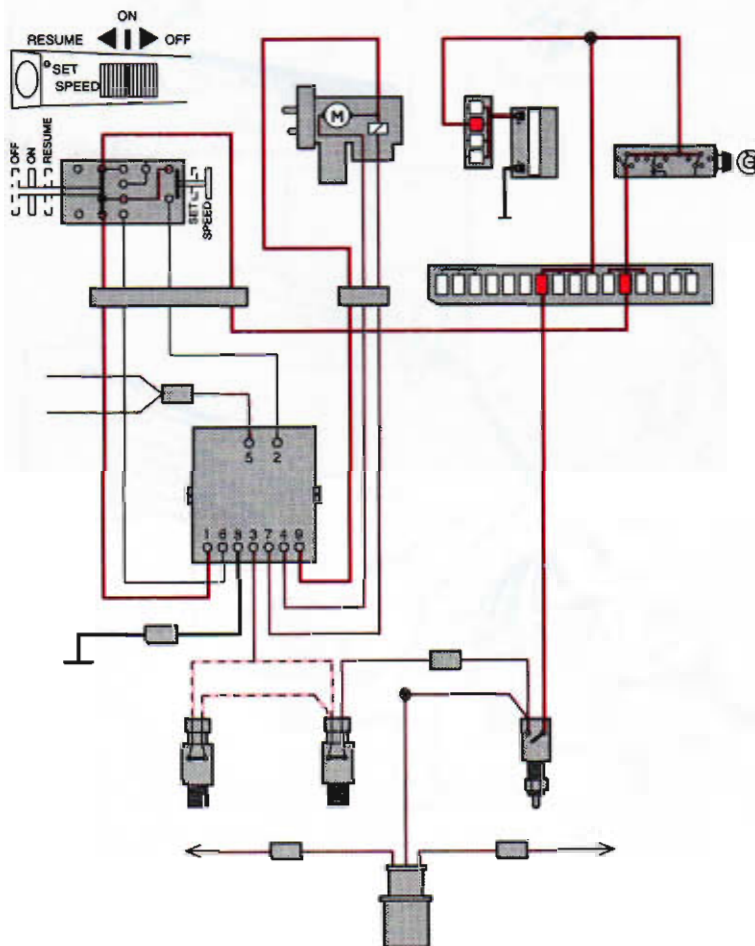


Cruise control, function diagram



Setting the speed

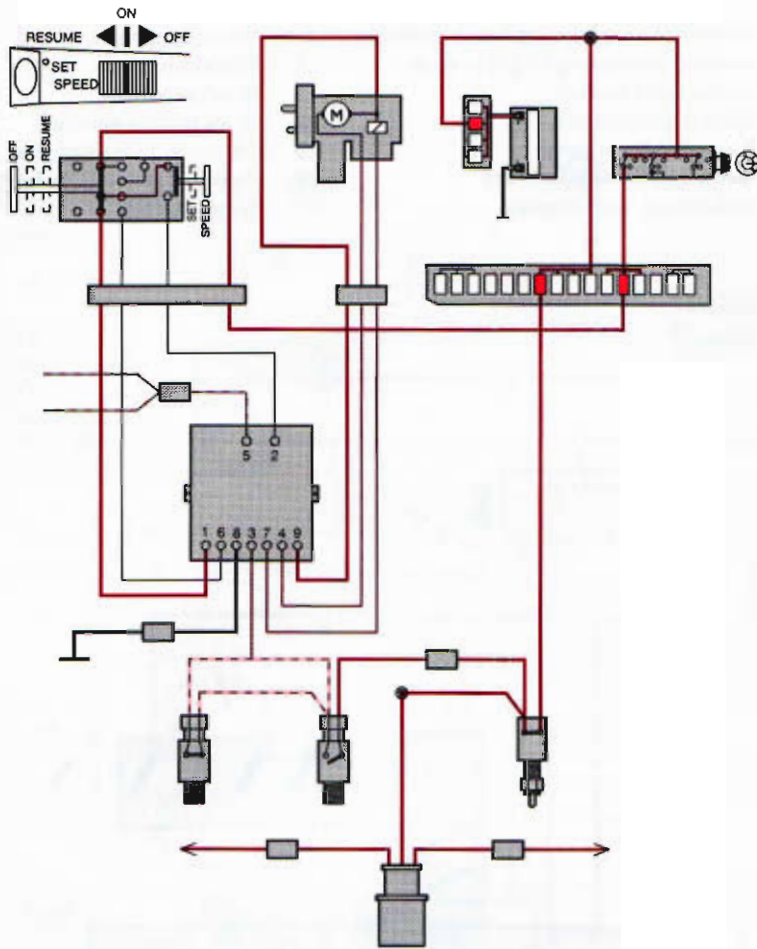
Switch in position On
"Set speed" button pressed in



Maintaining the set speed

Switch in position On
(Speed above 49 km/h and no pressure on brake and/or clutch pedal)

Cruise control, function diagram



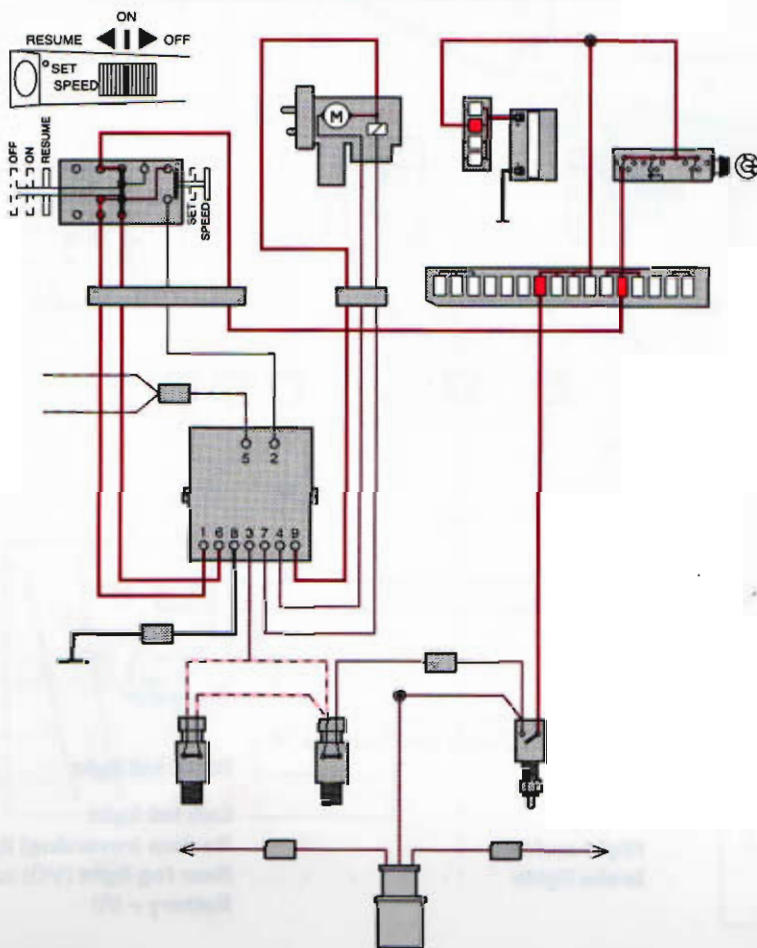
Braking

Switch in **position On**

Brake pedal pressed down, thus breaking the unit's ground connection.

(The control module is normally grounded via the brake light bulbs.

When the brake and/or clutch pedal is pressed, the ground connection is broken, thus disengaging the control module. If both brake light bulbs are inoperative, the control module's ground connection is also broken.)



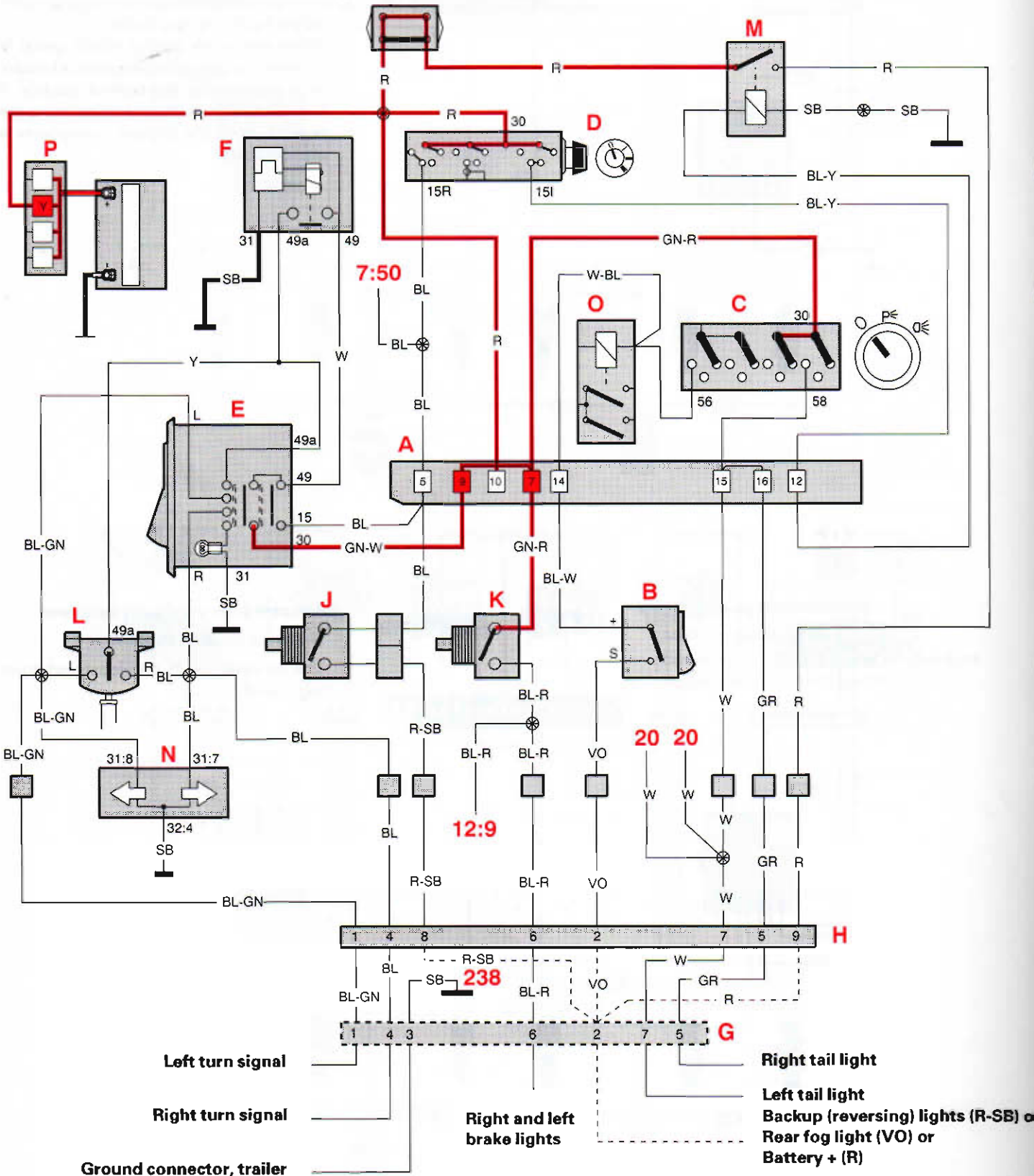
Resuming the previously set speed

Switch in **position Resume**

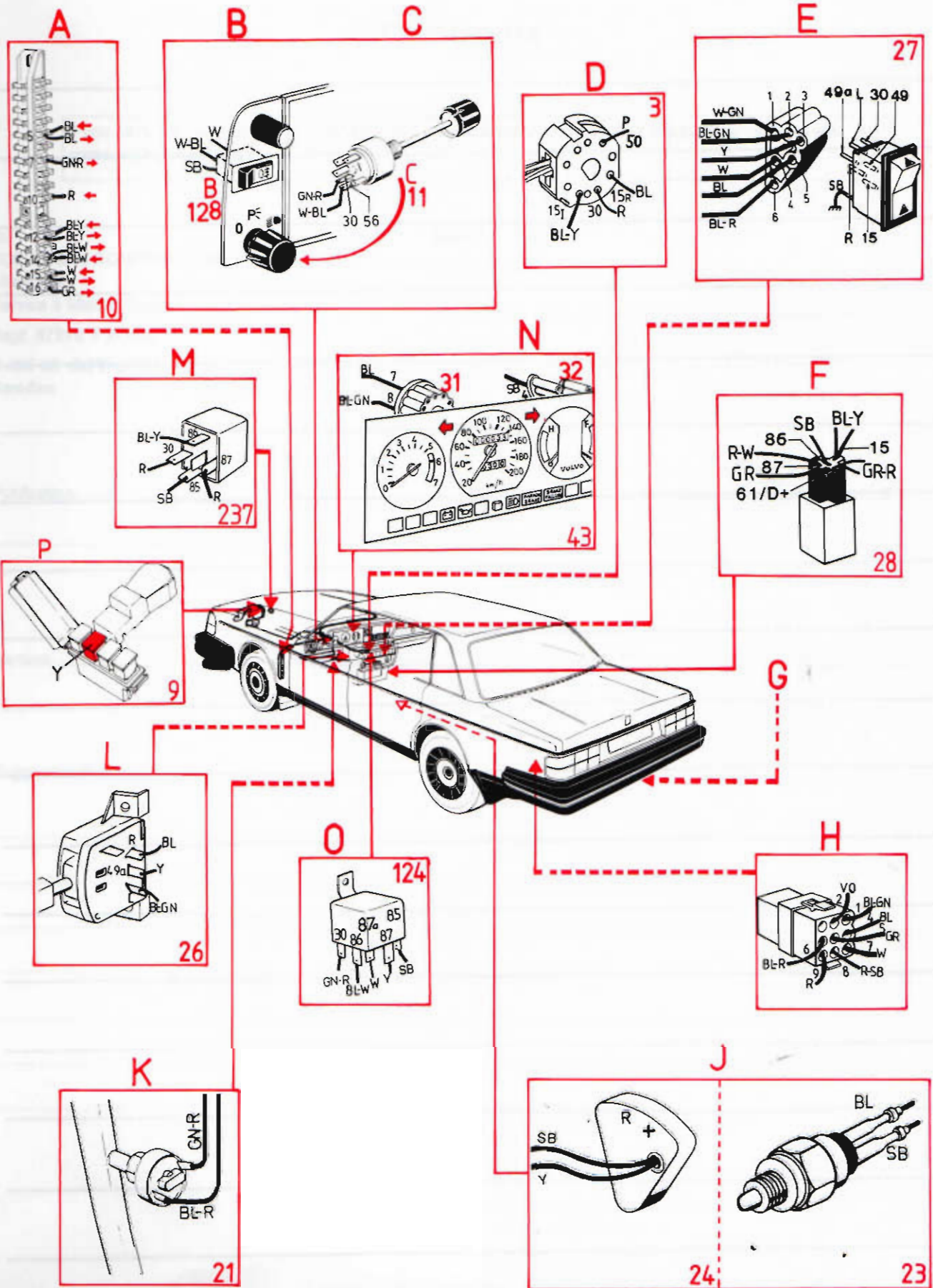
The car resumes its previously set cruising speed.

Pre-routed wiring for towing hook

- | | | |
|---|--|--|
| A Fuse box | H Connector for towing hook switch | O Headlight relay |
| B Switch, rear fog light | J Backup (reversing) light switch | P Fuseholder B+ |
| C Light switch | K Brake light switch | 7 Starter motor |
| D Ignition lock | L Turn signal switch | 12 Bulb failure sensor |
| E Switch for hazard warning lights | M Relay for B+ supply (with ignition switch on) | 20 Number plate lighting |
| F Hazard warning light relay | N Indicators, turn signals | 238 Ground connector for towing hook switch |
| G Towing hook switch (not pre-installed) | | |

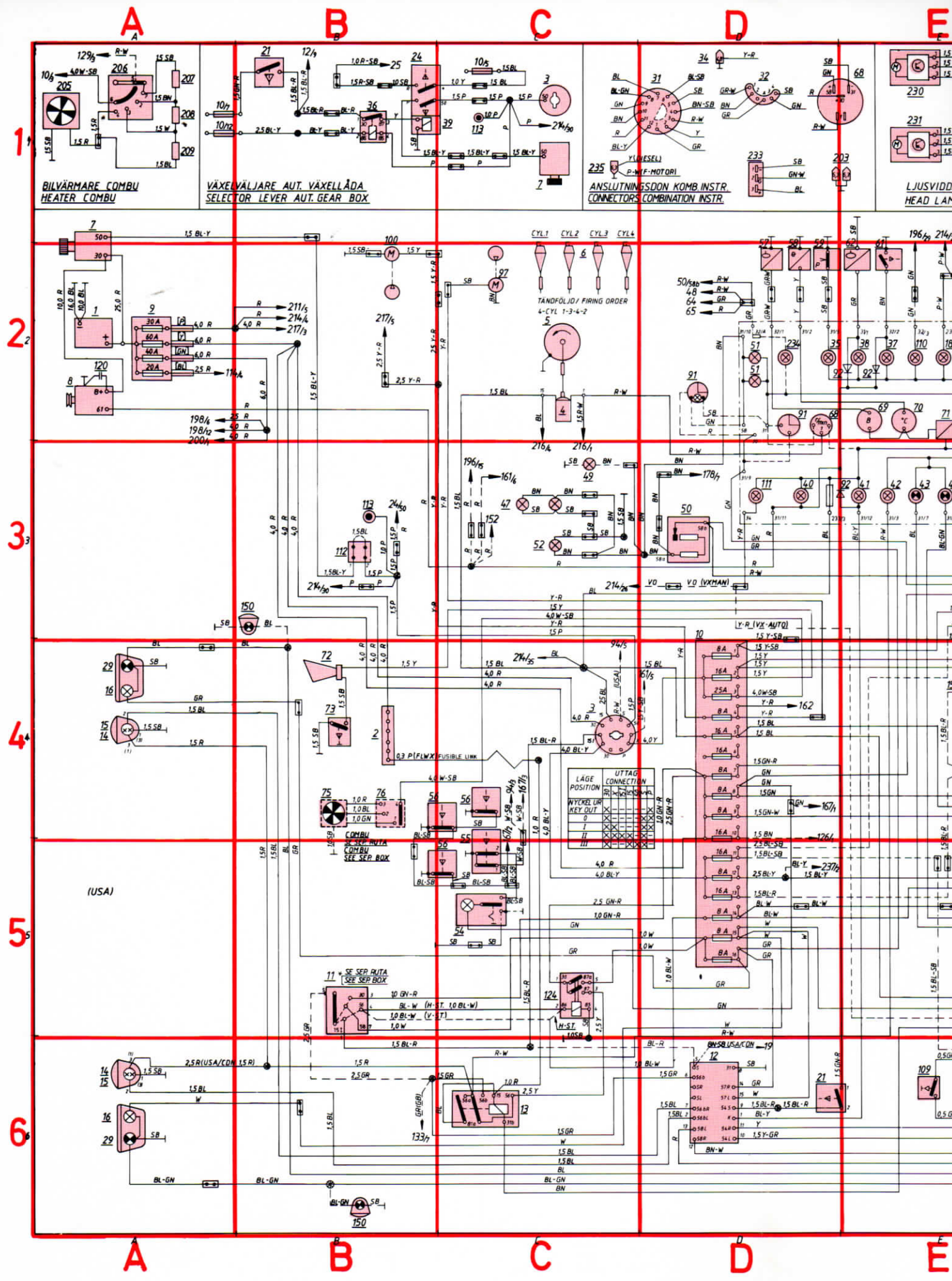


Pre-routed wiring for towing hook



Numerical index of components

Pos.	Description	Location	Pos.	Description	Location
1.	Battery	A2	115.	Motor, engine cooling fan	N2
2.	Junction box	B4	116.	Loudspeaker, left front door	I5, J6
3.	Ignition switch	C1, C4	117.	Loudspeaker, right front door	I5, J6
4.	Ignition coil 12 A	C2	118.	Antenna	I6, J6
5.	Distributor	C2	120.	Capacitor 2.2 µF	A7
6.	Spark plug	C2	122.	Heater pads, passenger seat backrest, 30 W	F4
7.	Starter motor	A1	123.	Heater pads with thermostat, passenger seat 30 W	F4
8.	Generator	A2, L6, N1	124.	Headlight relay	C5, G1
9.	Fuseholder B+	A2	125.	Diagnostics, EGR	I1
10.	Fuse box	D3-5	126.	Relay for power windows	I4
11.	Light switch	B5, F1, L4, M4	127.	Rear foglight 32 cp/21 W	G4, G6
12.	Bulb failure sensor	D6, F1, L2	128.	Rear foglight switch	F5
13.	Step relay for high and low beams and flash	C6, G1	129.	A/C delay relay	O2
14.	High beam 75 W max.	A4, A6	130.	Luggage compartment light	F4
15.	Low beam 55 W max.	A4, A6	131.	Diagnostic socket	H2
16.	Parking light 4cp/5 W	A4, A6	132.	CIS/idling valve	H2
18.	Tail light 4cp/5 W	G4, G6, H4, H6	133.	Dim-dip regulator	G1
19.	Brake light, extra	G5, H5, L2	134.	EGR controller	I1
20.	Number plate light 4cp/5 W	G4, G5, H4, H5	135.	Rear seat belt indicator light 2 W	F2, K2
21.	Brake light switch	B1, D6, M3, N2	136.	Main switch for rear power windows	I4
22.	Brake light	G4, G6, H4, H6, L2, L3	137.	Switch for left rear window	H5
23.	Backup light switch, manual transmission	F5	138.	Motor for left rear window 5 A	H5
24.	Backup light switch, automatic transmission	B1	139.	Switch for right rear window	I5
25.	Backup light 32 cp/21 W	G4, G6, H4, H6	140.	Motor for right rear window 5 A	I5
26.	Turn signal switch	E5	141.	Switch for left door mirror	O4
27.	Hazard warning light switch	F5	142.	Left door mirror	O5
28.	Flasher unit	E5	143.	Switch for right door mirror	P4
29.	Turn signal, front	A4, A6	144.	Right door mirror	P5
30.	Turn signal, rear	G4, G6, H4, H6	146.	8-pin connector	G4, G6
31.	Instrument connection	D1	148.	Windshield wiper intermittent relay	F2
32.	Instrument connection	D1	150.	Turn signal side repeaters 2.4 W	G2
34.	Instrument connection for AW 70/71	D1	151.	Temperature sensor relay	B3, B6
35.	Indicator light, oil pressure	D2	152.	Diode box	M3
36.	Relay, P-shift lock	B1	153.	Temperature sensor	M4
37.	Indicator light, parking brake	E2	155.	Heated seat switch	M4
38.	Brake failure indicator light	E2	156.	Temperature indicator light	E4
39.	Solenoid, P-shift lock	C1	159.	SRS contact reel	M3
40.	Battery charge indicator light	D3	159.	SRS igniter module	L5
41.	Bulb failure sensor indicator light	E3	160.	SRS sensor module	L5
42.	High beam indicator light	E3	161.	SRS sensor module	L5
43.	Turn signal indicator light	E3	162.	Heated oxygen sensor (HO2S) B 230 F	I3
44.	SRS indicator light	E3	163.	Tailgate wiper intermittent relay	J4
45.	Seatbelt reminder light	F2, K2	165.	Standby power supply, SRS	L6
46.	Luggage compartment switch	F5	167.	Relay for delayed courtesy lighting	K4
47.	Heater control lighting	F3	168.	SRS test socket	L5
48.	Ashtray lighting, 1.2 W	C2	169.	Cruise control switch	M2
49.	Gear selector panel light	F2	170.	Cruise control vacuum pump	M2
50.	Rheostat for instrument panel light intensity	C3	171.	Control module, cruise control	M3
51.	Instrument lighting 2 W	D3	172.	Clutch pedal switch	M2
52.	Control and panel lighting	D2	173.	Brake pedal switch	M3
53.	Glove compartment light 2 W	C3	175.	Heated rear window timer relay	K3
54.	Courtesy light 10 W	F3	176.	Timer relay switch	K4
55.	Door switch, driver's side	C5	177.	Radio amplifier	H5
56.	Door switch, passenger's side	C5	178.	Radio	H6, J6
57.	Fuel level sensor	B4, C4, C5	179.	Power antenna 3 A	I6, J6
58.	Engine coolant temperature (ECT) sensor	D2	180.	Headlight wipers 1 A	F1, G1
59.	Oil pressure sensor	D2	183.	Engine diagnostics (OBD) indicator light	E2
61.	Parking brake switch	D2	184.	Switch for driver's side power windows	H4
62.	Brake failure warning switch	E2	185.	Switch for passenger's window, front	I5
64.	Seat belt switch, passenger's side	E2	186.	Motor, front passenger's window 5 A	I5
65.	Seat belt switch, driver's side	F2	187.	Motor, driver's window 5 A	I4
66.	Switch for heated door mirrors	F2, K2	188.	Central lock relay, unlocking	K1
67.	Time-delay relay, heated door mirrors	O4	189.	Central lock relay, locking	L1
68.	Engine speed gauge (RPM, tachometer)	O4	190.	Central lock link rod switch	K2
69.	Fuel gauge	D2	191.	Central lock key switch	L2
70.	Engine coolant temperature (ECT) gauge	E2	192.	Motor for central lock, passenger's side	K2
71.	Voltage regulator 10±0.2 V	E2	193.	Motor for central lock, left rear	K2
72.	Horn 7.5 A	B4	194.	Motor for central lock, right rear	K2
73.	Horn switch	B4	195.	Motor for central lock, tailgate (estate car)	K2
74.	Cigar lighter 7 A	F3	196.	ABS control module	N1
75.	Standard heater unit 115 W	B4	197.	Impulse sensor	I1
76.	Heater fan switch	B4	198.	ABS hydraulic unit	O1
77.	Windshield wash/wipe switch	G3	200.	Transient surge eliminator, ABS	O2
78.	Windshield wiper 3.5 A	B4	201.	ABS sensor, left front	N1
79.	Windshield washer 2.6 A	G3	202.	ABS sensor, right front	N1
80.	Digital ambient temperature gauge	H3	203.	Instrument connection	E1
81.	Ambient temperature sensor	N3	205.	Heater fan CU	A1
82.	Tailgate wash/wipe switch	N4	206.	Heater fan CU switch	A1
83.	Tailgate wiper 1 A	J3	207.	Resistor 1.9 ohm	A1
84.	Tailgate washer 3.4 A	J3	208.	Resistor 0.7 ohm	A1
85.	Rear door switch	J4	209.	Resistor 0.2 ohm	A1
86.	Rear courtesy lighting 10 W	J5	211.	EZ-116K DI ignition system control module	H1
87.	Heated rear window switch	J5	213.	A/C microswitch	O3
88.	Heated rear window 150 W	E3	214.	Control module, B 230 F, LH-Jetronic 2.4 (MFI)	I2
89.	Heater pads + thermostat, driver's seat 30 W	F3, K4	215.	Mass air flow (MAF) sensor (HLM)	J2
90.	Heater pads, driver's seat backrest, 30 W	F4	216.	Power stage, EZ-116K (DI)	I1
91.	Clock	F4	217.	Main relay, B 230 F	J2
92.	Diode	D2	218.	Idling speed (CIS) and full-load switch	J2
94.	Seat belt reminder	E2, D2, E3	220.	Overdrive AW 70/71 solenoid	F6
97.	Tank pump 1.6 A	K2	221.	Temperature sensor, B 230 F	J2
100.	Fuel pump 6.5 A	C2	223.	A/C drier pressure sensor	N3
103.	Loudspeaker left rear door	B2	224.	Knock sensor (KS)	J1
104.	Loudspeaker right rear door	I5	225.	Injector	H2
105.	A/C compressor solenoid 3.0 A	I5	228.	Speedometer (VSS)	E2
107.	Pressure sensor for A/C (thermostat type)	N2	229.	Impulse sensor, rear axle	E1, N2
108.	Overdrive relay, automatic transmission	N3	230.	Beam width control motor, right	M5, E1
109.	Switch for overdrive, M46	E5	231.	Beam width control motor, left	M5, E1
110.	ABS indicator light	E6	232.	Beam width selector	M5, F1
111.	Indicator light for AW 70/71 overdrive or gearshift indicator	E2	233.	Instrument connection	D1
112.	Bridge connector	D3	234.	Parking light indicator light	D2
113.	Service socket for running starter motor	B3, I2, J3	235.	Instrument connection	C1
114.	Relay, engine cooling fan	B3, C1	236.	Pulsed secondary air injection (PAIR)	I2
		O3	237.	Relay, pre-routed wiring for towing hook	N6
			238.	Ground connection, pre-routed wiring for towing hook	P6



A

B

C

D

E

1

2

3

4

5

6

**BILVÄRMARE COMBU
HEATER COMBU**

**VÄXELVÄLJARE AUT. VÄXELLÅDA
SELECTOR LEVER AUT. GEAR BOX**

**ANSLUTNINGSDON KOMB INSTR.
CONNECTORS COMBINATION INSTR.**

**LJUSVIDDS
HEAD LAMP**

**TÄNFÖLJORD
4-CYL 1-3-4-2**

**UTTAG
CONNECTION**

(USA)

NYCKEL (KEY) OUT

LAGE POSITION	30	31	32	33	34	35	36	37	38	39	40	41	42	43	44
I															
II															
III															

**COMBU
SE SEP RUTA
SEE SEP BOX**

**SE SEP RUTA
SEE SEP BOX**

BN-SB USA-CON

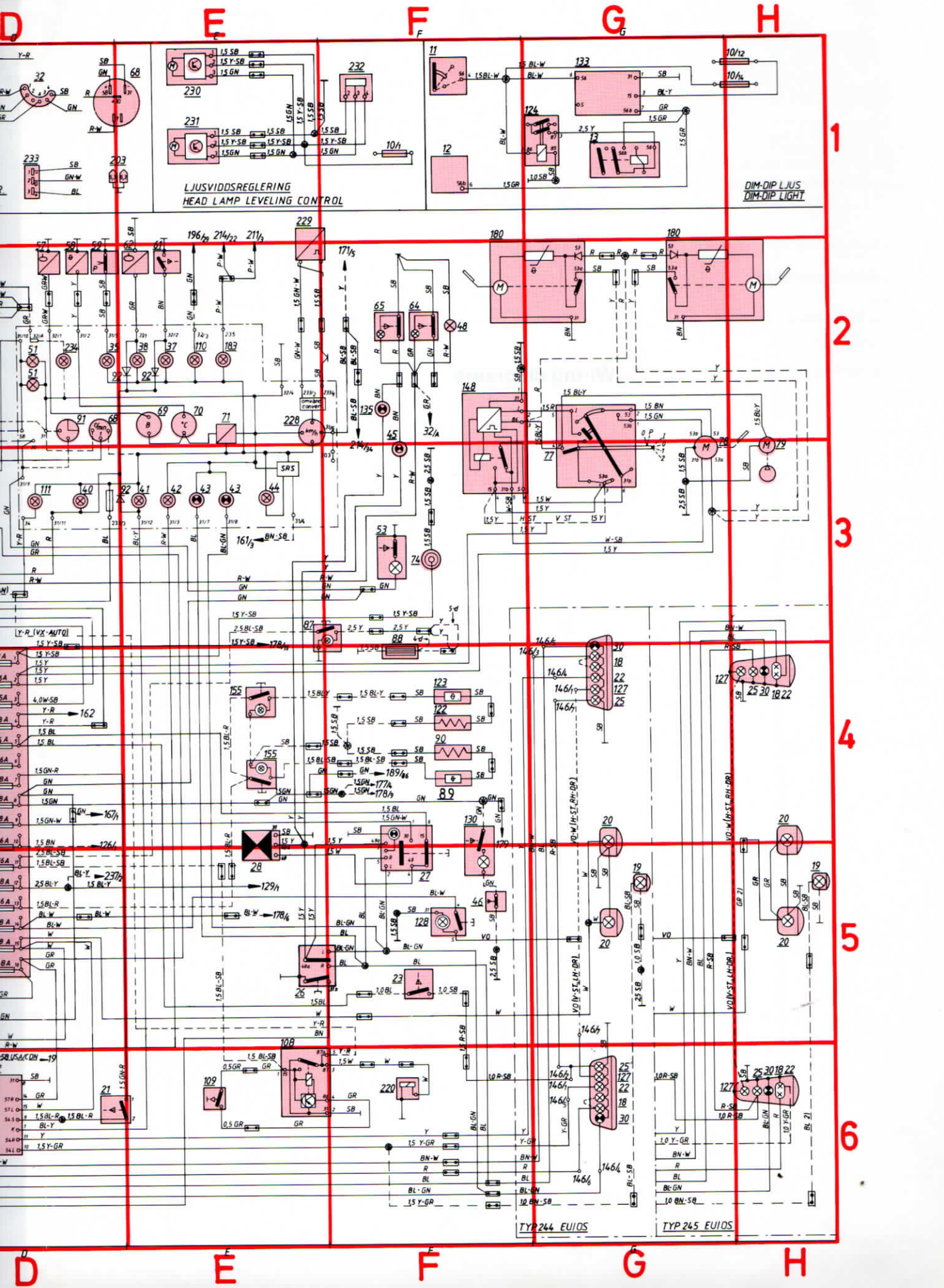
14 15

16 29

150

12

109



LJUSVIDDSREGLERING
HEAD LAMP LEVELING CONTROL

DIM-DIP LJUS
DIM-DIP LIGHT

TYP 244 EUIDS

TYP 245 EUIDS

1

2

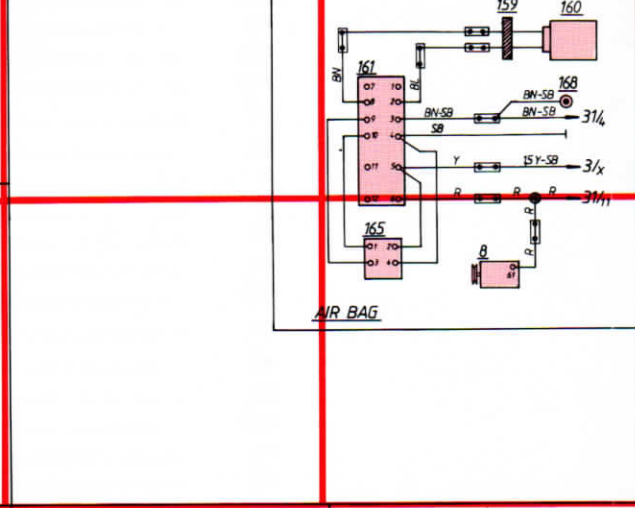
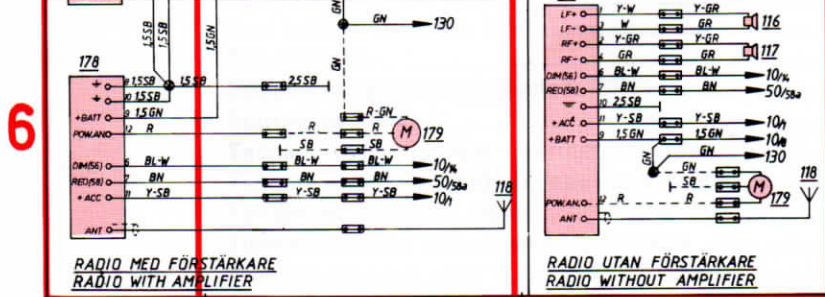
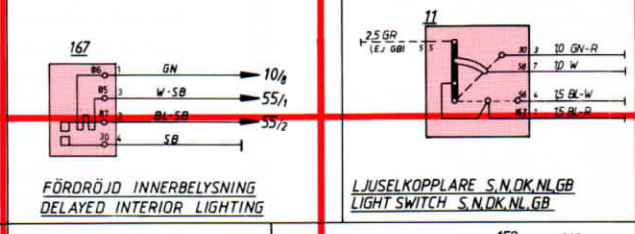
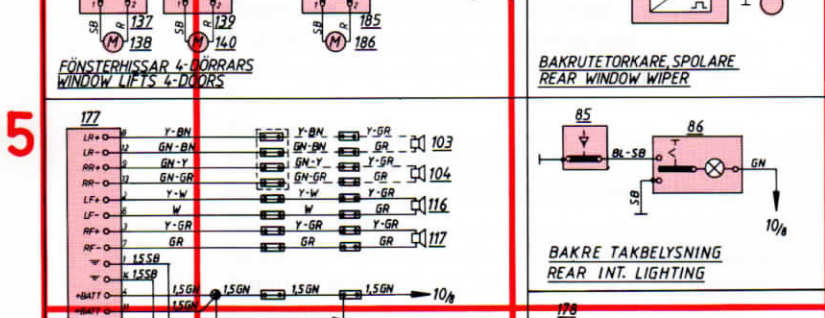
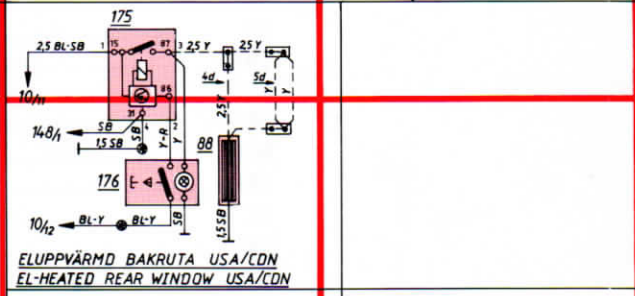
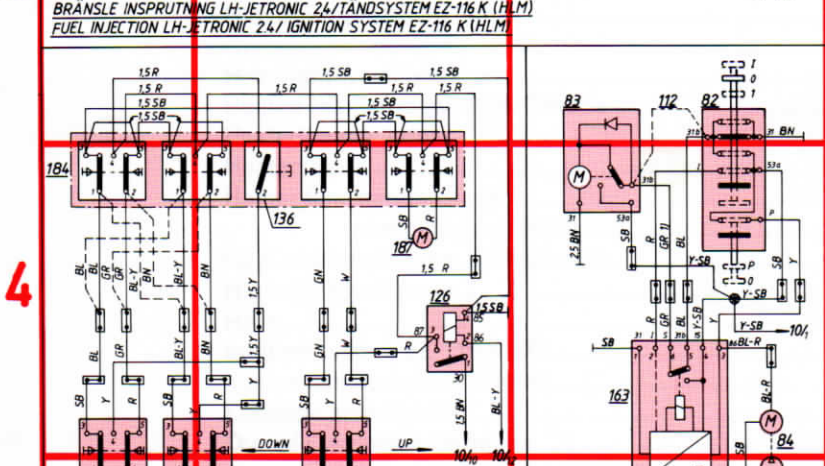
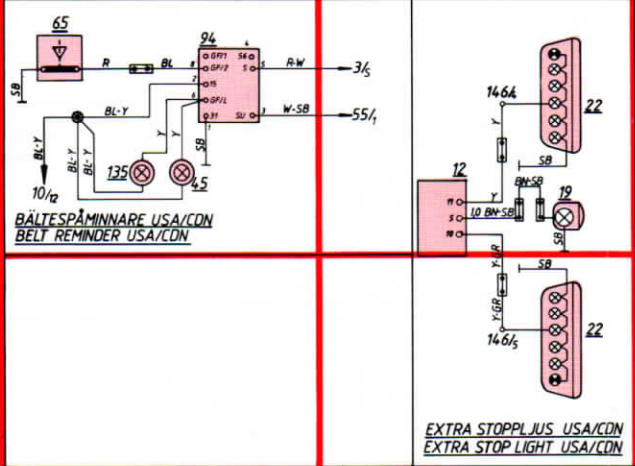
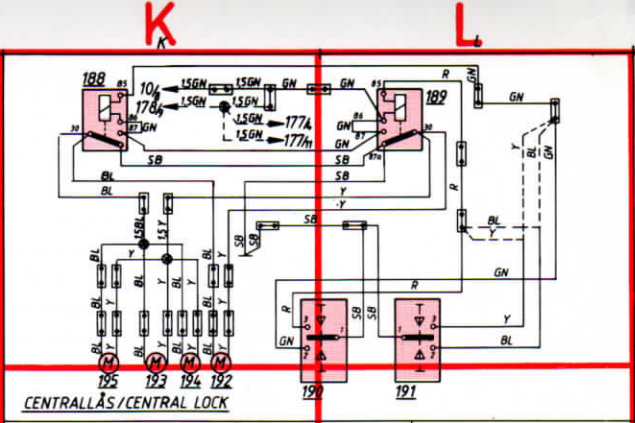
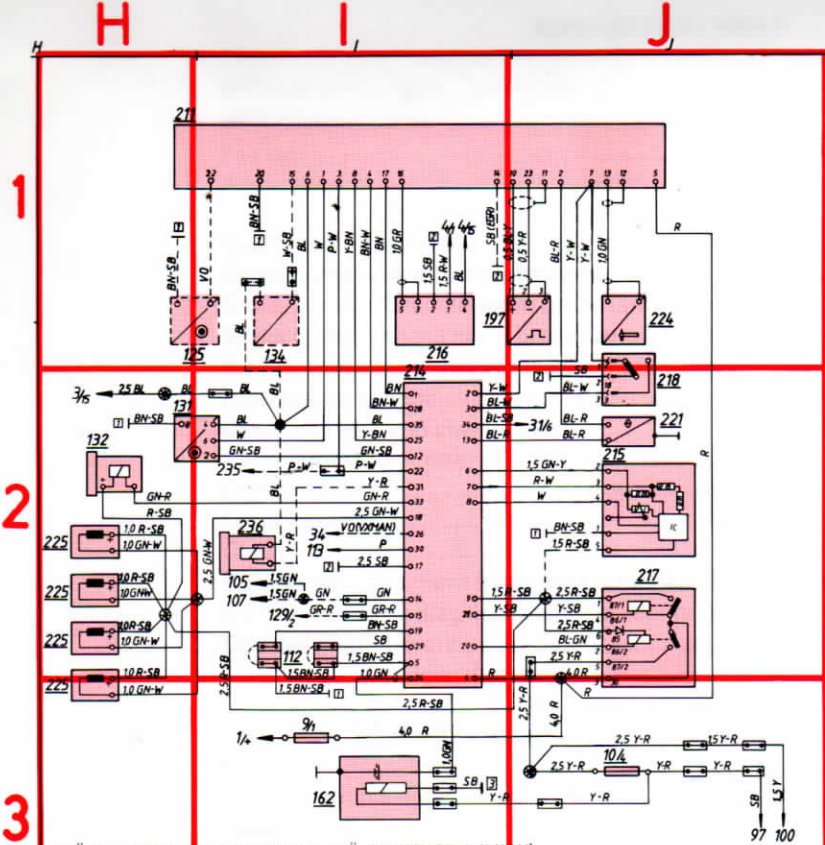
3

4

5

6

D E F G H

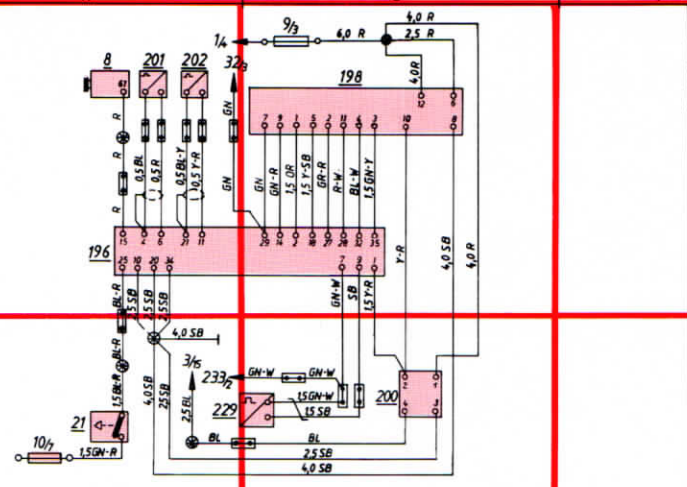


M

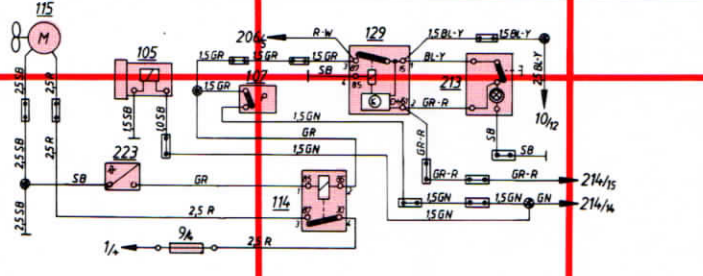
N

O

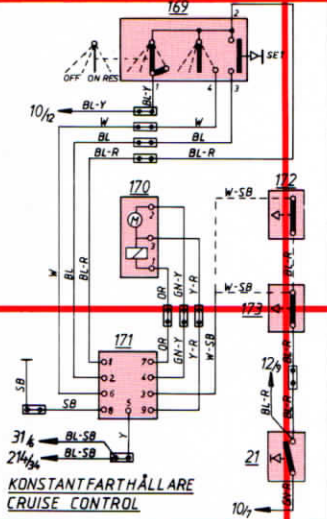
P



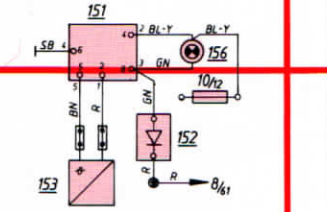
ANTIBLOCKERING SYSTEM / ANTI BLOCK SYSTEM (ABS)



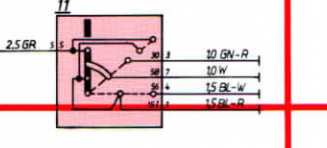
AC-SYSTEM MED ELKYLFLÄKT
AC-SYSTEM WITH COOLING FAN



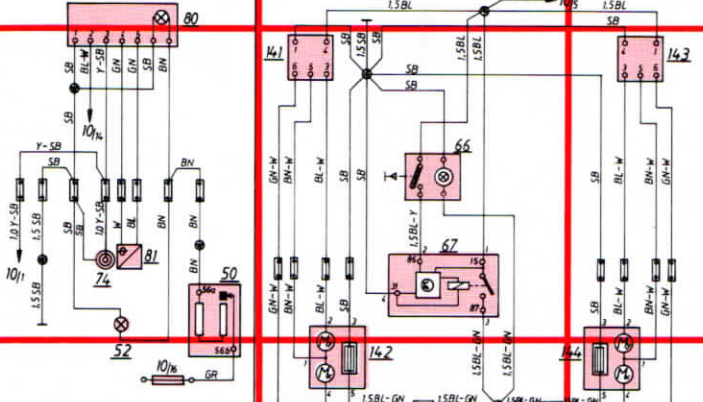
KONSTANTFARTHÅLLARE
CRUISE CONTROL



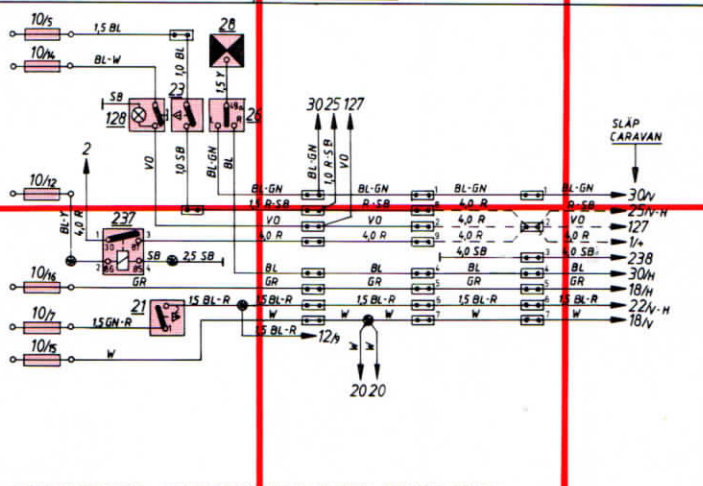
ÅVGASTEMP VAKT/EXHAUST TEMP WARN. UNIT



LJUSELKOPPLARE CON
LIGHT SWITCH CON



ELBÄCKSPÉGLAR
EL REAR MIRRORS



LEDNINGSSYSTEM DRAGKROK/
WIRING SYSTEM TOWING HITCH

Part No.	QTY	DESCRIPTION	UNIT	REVISION
C-32773	920515	DISTRIBUTION	MP	

- SKARV/JUNCTION
- KNUTPUNKT/SPLICE

TOMGÅNG IDLING	DELLAST PART LOAD	FULLAST FULL LOAD
218	2-18	3-18
218		

- 1) HÖGER RÄNSJÄRVAR-H. HINGE
- 2) VÄNSTER RÄNSJÄRVAR-H. HINGE

FÄRG COLOUR	GRÖN GREEN	GRÅ GREY	BRUN BROWN	ORANGE ORANGE	VIOLETT VIOLET	
FÖRKORTNING SHORTENING	GR	GR	BRN	OR	VO	
FÄRG COLOUR	SVART BLACK	VIT WHITE	RÖD RED	BLÅ BLUE	GUL YELLOW	ROSA PINK
FÖRKORTNING SHORTENING	SB	W	R	BL	Y	P

LEDNINGSAREA DÄR EJ ANNAT ÄR ANGIVET 0,75mm²
UNLESS OTHERWISE STATED, THE AREA OF THE CABLE IS 0,75mm²

VOLVO	
KOPPLINGSKEMA WIRING DIAGRAM	
C-32773	9130080
98840	3720
MP	9130530
920515	P01

M

N

O

P

ALPHABETICAL INDEX

A/C unit with engine cooling fan	112
ABS braking system	92
Airbag	118
Backup lights, automatic transmission	36
manual transmission	34
Beam width control	52
Brake lights with extra brake lamp	30
Brake lights, USA with extra brake lamp	32
Brake lights without extra brake lamp	28
Bulb failure sensor with brake circuit monitor, Europe	74
Bulb failure sensor	72
Cable harness and connectors	8
Central locking, 4-door and 5-door	96
Charging circuit	14
Cigar lighter	68
Clock	84
Combined instrument (with temp., fuel and RPM gauges)	80
Complete wiring diagramfoldout at rear of book	
Courtesy lights, front	42
delay function	44
rear, 5-door	46
Cruise control, function diagram	122
Cruise control	120
Fuel injection LH-Jetronic 2.4 (MFI)	12
Fuse	2 and 3
Glove compartment light	40
Ground connections	9
Headlight wash/wipe	62
Heated rear window, USA/Canada	102
Heated rear window	100
Heated seats	106
Heater fan, standard unit	108
combined unit (CU)	110
High and low beams, USA/Canada	22
High and low beams	20
Horn	56
Ignition system EZ-116 K (DI)	18
Instrument and control lights	38
Luggage area lighting	48
Outside temperature gauge	86
Overdrive, automatic transmission	88
P-shift lock (automatic transmission)	90
Parking lights, tail lights and number plate lights	26
Power door mirrors	104
Power windows	94
Pre-routed wiring for towing hook	124
Radio with extra amplifier and power antenna	114
Rear foglights	50
Reduced intensity low beam (Dim-Dip) - GB	24
Relay location	6
Seat belt reminder	78
Seat belt/key warning, USA	70
Speedometer	82
Supplemental Restraint System (SRS)	118
Starting system	16
Tailgate wash/wipe with intermittent relay	64
Tailgate wash/wipe without intermittent relay	66
Temperature sensor, Japan	116
Turn signals and hazard warning flashers	54
Windshield wash/wipe	58