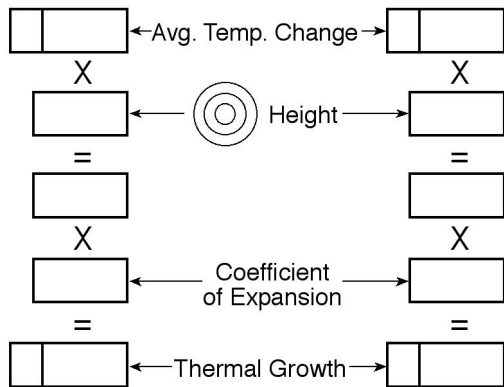
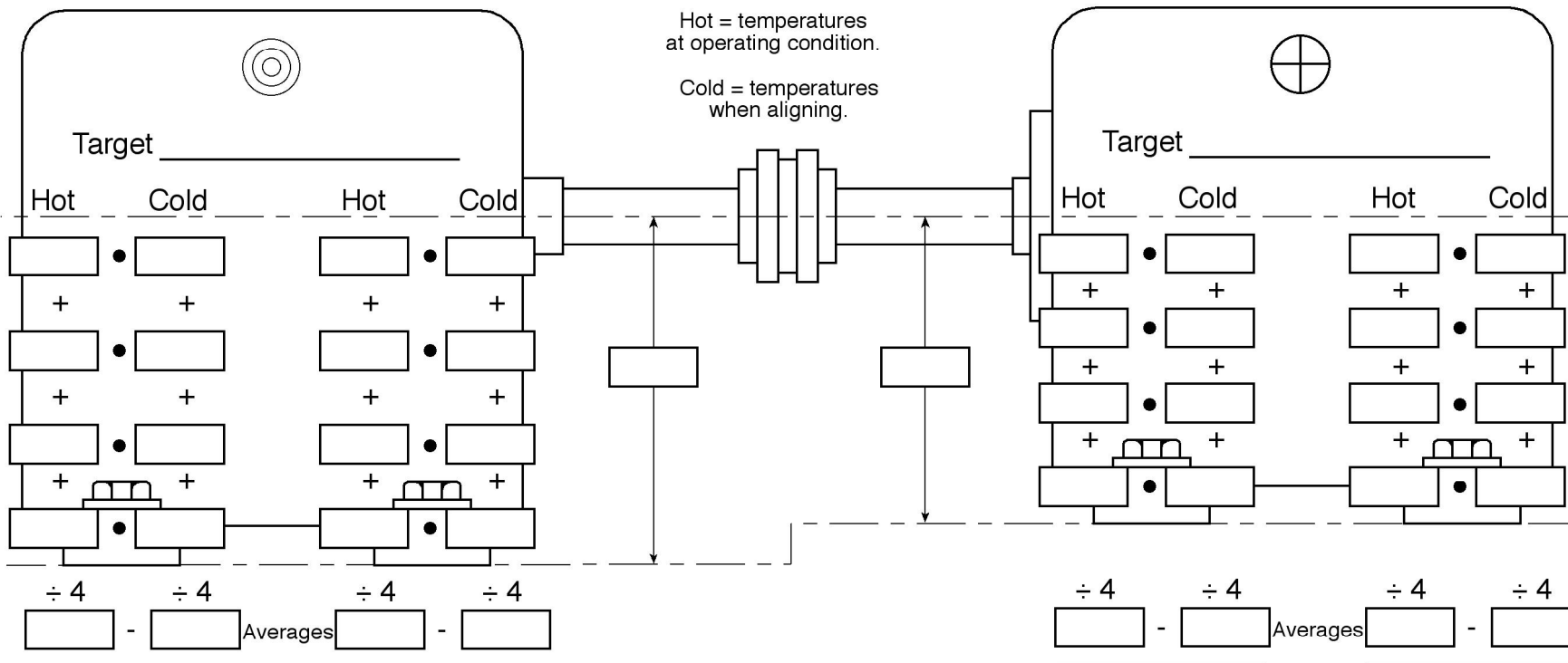


# Thermal Growth Calculation Sheet

Thermal Growth = (Avg. Temp. Hot - Avg. Temp. Cold) x Height x Coefficient of Expansion



## COEFFICIENTS OF EXPANSION

Material	Mils °F
Carbon Steel	0.0063
Aluminum	0.0124
Cast Iron	0.0059
Nickel Steel	0.0073
Stainless Steel	0.0095
Concrete	0.0065 - 0.008

Enter height in inches, answer in mils.

