

LOOKBOOK 2024

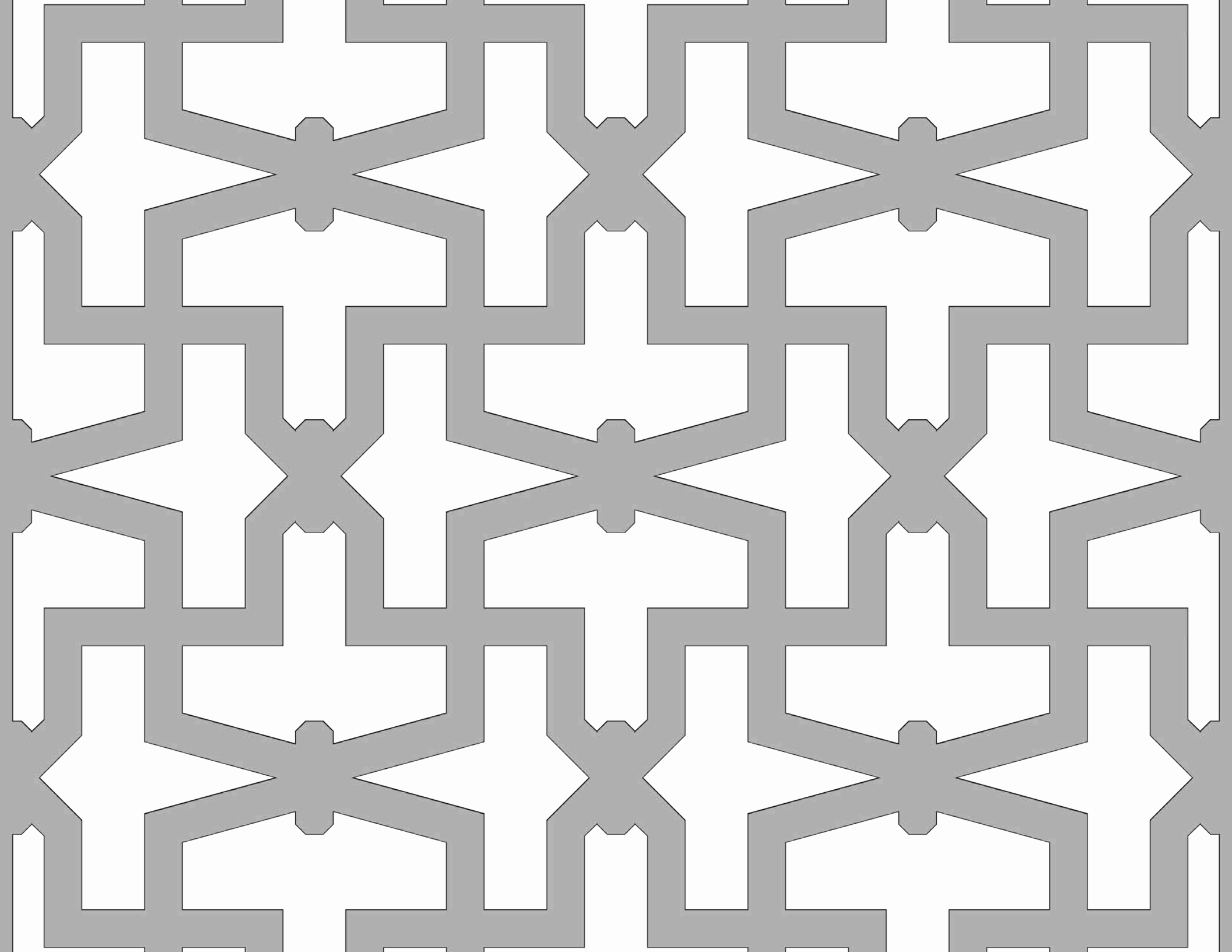


# TABLEAUX

ARCHITECTURAL PANELS



TABLEAUX  
ARCHITECTURAL PANELS



# TABLE OF CONTENTS

01	TABLEAUX ARCHITECTURAL PANELS	11	HISTORIC GRILLE
02	OUR SUSTAINABILITY PROMISE	12	LAS COLINAS
03	WALL ART	13	STANDARD HARDWARE
04	CEILING TREATMENTS	14	ELEMENTS
05	WINDOW TREATMENTS	15	VENEER
06	PARTITION SCREENS	16	FAUX IRON
07	EXTERIOR PANELS	17	ALUMINUM
08	DOORS & CABINETS	18	STEEL
09	SPECIALTY PANELS	19	MESH MATERIALS
10	SPECIALTY HARDWARE & INSTALLATION	20	CONTACT US

# T A B L E A U X

## ARCHITECTURAL PANELS

Founded in 2002 by an artist and an engineer, Tableaux designs and manufactures eco-friendly custom architectural panels and hardware solutions for commercial spaces. Over the years, we have contributed to numerous major projects across the USA, providing stunning panels and custom solutions to developers, architects, designers, contractors, and construction companies.



Our team of engineers, designers, and project managers is dedicated to bringing our customers' visions to life. We collaborate closely with designers and architects to fully understand project needs, ensuring high-quality results are delivered on time and within budget. We also work hand-in-hand with contractors and adapt to site-specific requirements, ensuring timely delivery and smooth installation.

Beyond architectural panels and hardware, we constantly innovate and tackle complex challenges, offering custom solutions including metal doors, shelves, light boxes, and more. We are known for our flexibility, problem-solving, unmatched customer service, and passion for art and design.

## OUR SUSTAINABILITY PROMISE

At Tableaux, our unwavering commitment to sustainability is at the heart of everything we do. We are devoted to creating a better world for future generations by embracing eco-friendly practices in all aspects of our work. Our panels meet rigorous standards and hold multiple environmental certificates.

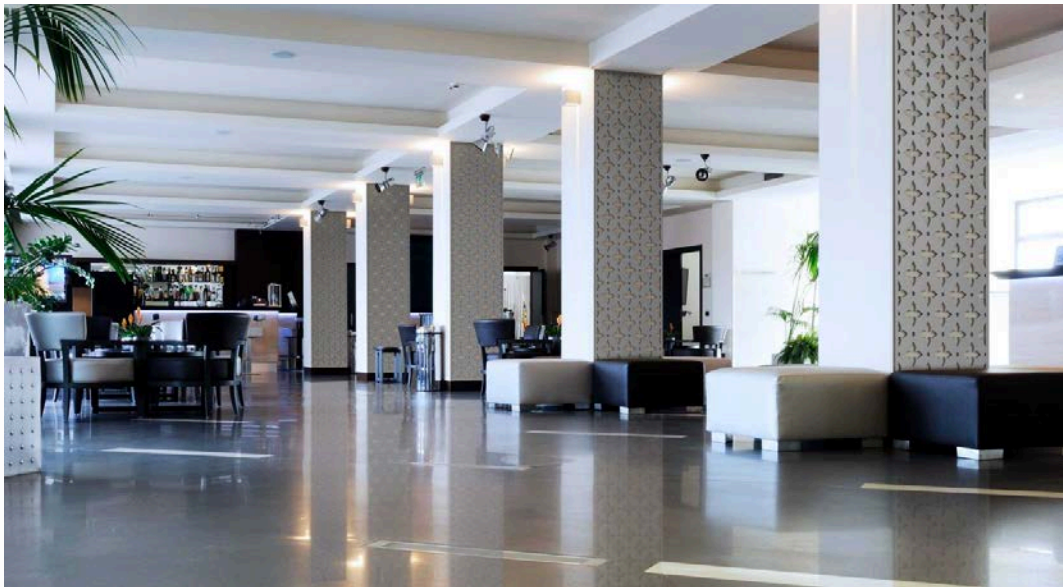
We use MDF with high recycled content and fully recyclable metals to minimize waste and reduce our energy footprint. Our finishes are carefully selected to be low-VOC or VOC-free, enhancing indoor air quality and supporting our strong sustainability goals.

Engineered for durability, our products maintain their beauty and structural integrity over time, reducing the need for frequent replacements. They can also contribute to LEED credits in key areas such as Low-Emitting Materials, Material and Resource Use, and Indoor Air Quality.

By choosing Tableaux, you invest in sustainable solutions that offer exceptional value and contribute positively to the environment, ensuring a lasting impact for generations to come.

# WALL ART

---



Elevate any room's style with distinctive decorative accents and wall art. Imagine transforming those plain, flat surfaces into breathtaking interior design and décor accents that add depth, warmth, and visual interest to any space.

Tableaux is the ultimate source for custom decorative and architectural panels tailored to fit any size or shape, reflecting your unique personality or style.







# C EILING TREATMENTS

Gone are the dull, overlooked, and forgotten ceilings. View your ceiling as a fifth wall with endless interior design possibilities that will capture the attention of all and even become a room's centerpiece. Direct your audience's eyes upwards with a striking, visual statement.





Photo by Michelle



Windows are often the focal point upon entering a space, making their décor pivotal to the property's overall design. With our ability to custom manufacture any shape, size, design style, or pattern, you can transcend traditional window dressing.

# W

INDOW  
TREATMENTS

05





UNITED BANK

# PARTITION SCREENS

Tableaux's customizable partition screens offer a bespoke solution that transforms spatial layouts with unique architectural elegance. Enhance intimacy within a room, create separate areas, or conceal elements utilizing our versatile features that can add depth, dimension, and color to any hospitality or commercial setting.





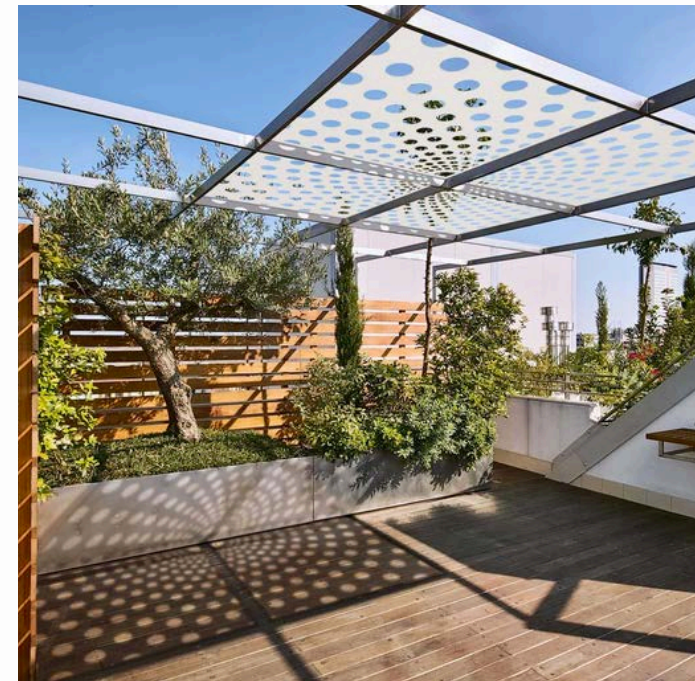
DOUBLE  
TAP

WINE TAP  
BY THE GLASS / BOTTLE  
DRAFT BEERS  
PACKAGE  
FROZEN

SALAT SLICES

# EXTERIOR PANELS

Enhance your outdoor spaces with stunning exterior accents that reflect your hospitality and personal style. Customize our Faux Iron, Elements, or Metal to complement your property's architecture, adding intricate details to entrances, exterior walls, patios, landscaping, and more.





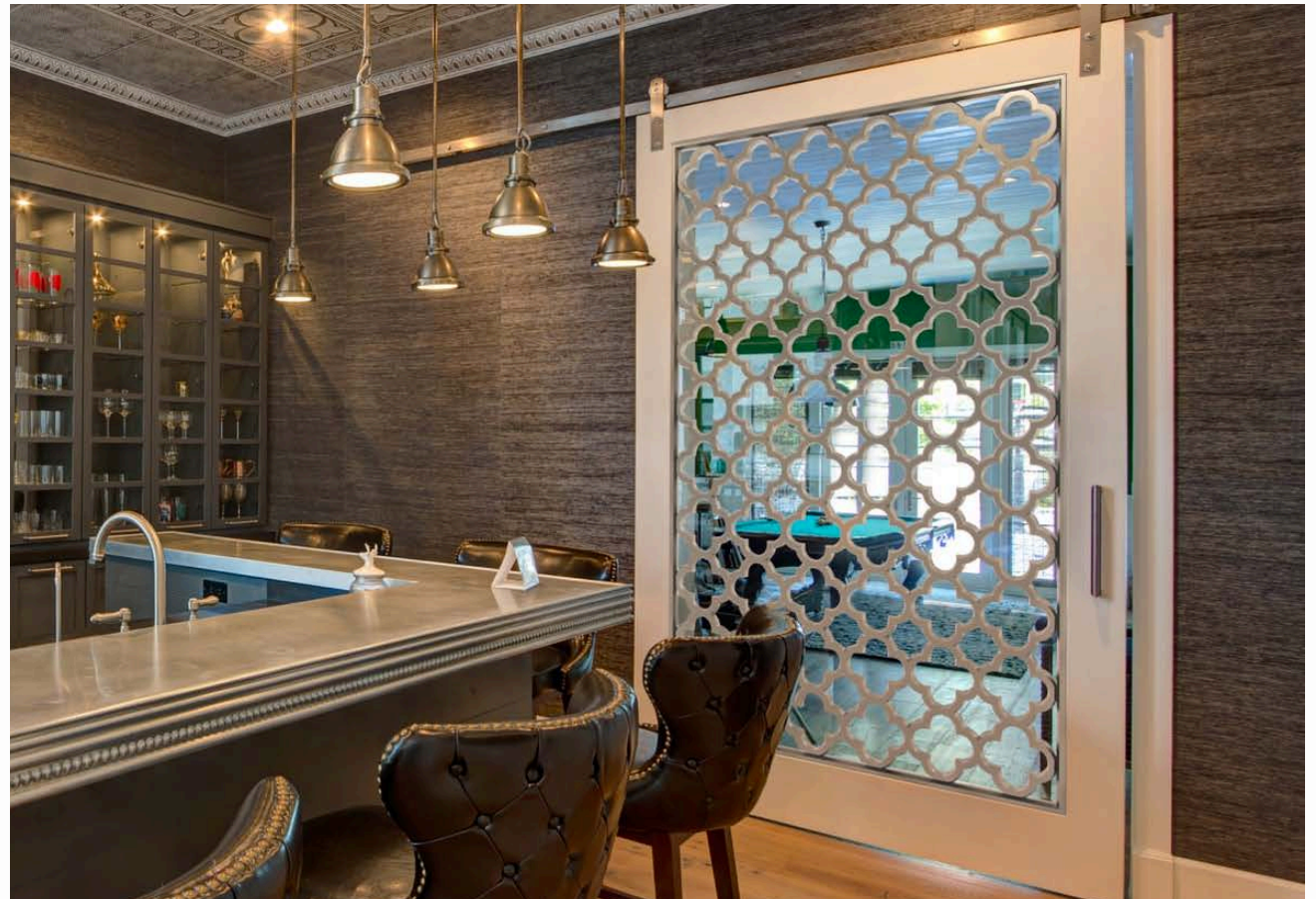


# D O O R S & C A B I N E T S



Offer your guests a distinctive visual journey through exquisitely crafted doors. Whether you're desiring a more grand or intimate entrance, our panels can be tailored to adorn a variety of doors including French, barn, sliding, and patio.

In the realm of cabinetry, explore endless customization possibilities that will enrich your existing aesthetic and fixtures. From bar cabinets to display cases, Tableaux offers a seamless blend of functionality and artistry.







# SPECIALTY PANELS

At Tableaux, we are thrilled to unveil our latest innovations in architectural and decorative panels: Mesh Panels, Lightbox Panels, and Half-Tone Panels.

We recognized the vital role that innovation plays in shaping the future of architecture and design.

Our line of specialty panels shows commitment to advancing the boundaries of decorative solutions and setting new standards in the industry. These additions reflect our belief that design should not only enhance aesthetics but also elevate functionality and interaction within spaces.



# MESH PANELS

Our Mesh Panels bring a modern, industrial edge with their sleek, open-grid design, allowing for a striking interplay of light and shadow. These are designed to meet the highest standards of durability and aesthetic appeal, available in a choice of three premium materials: stainless steel, aluminum, copper, and brass. Each material brings its own unique benefits and character to our panels, offering versatile solutions for diverse architectural and design needs.

---





# LIGHT BOX PANELS

Our Lightbox Panels are a cutting-edge solution designed to illuminate and enhance any space with captivating visual effects. These panels integrate seamlessly with any of our materials.

The ability to use different colors of light opens up a world of creative possibilities, allowing you to tailor the ambiance of a space to fit a wide range of moods and purposes.

Lightbox Panels are compatible with various color temperatures and control systems, allowing for precise adjustments to meet specific design requirements. This adaptability ensures that you can achieve the exact lighting effect you envision, whether it's for accent lighting, mood setting, or functional illumination.





ooh, la-la-la, it's the way that we rock when we're doin' our thing



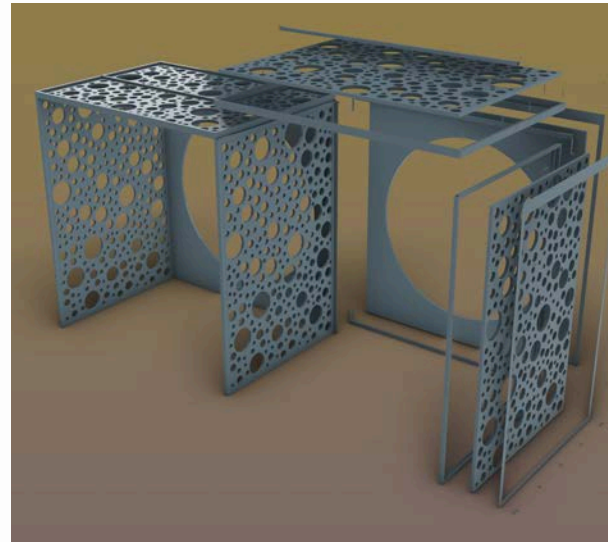
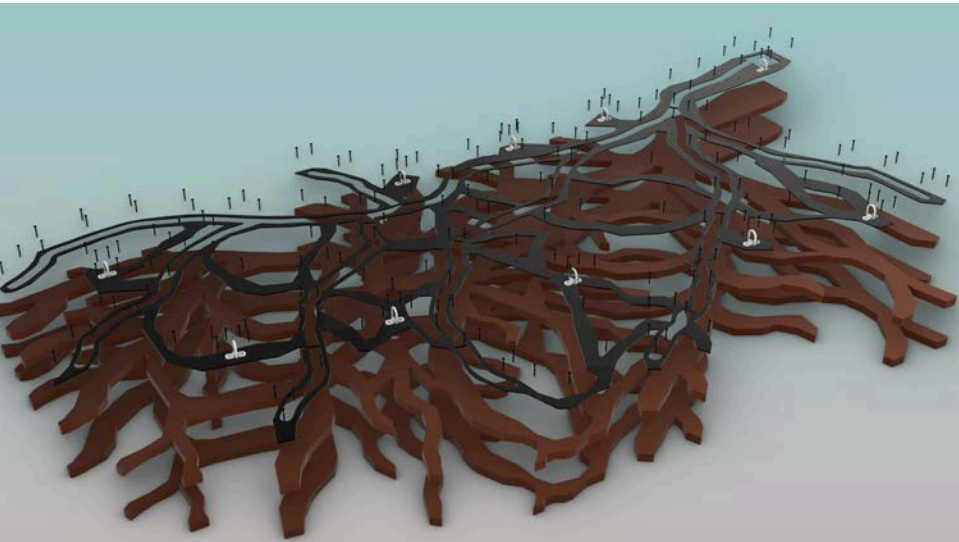


# HALF TONE PANELS

The Half Tone Panel is a sophisticated and contemporary design element that combines form and function in a striking manner. Crafted from high-quality metal, these panels feature a unique halftone pattern- A technique borrowed from print media, where varying sizes of dots create a gradient effect. This pattern transforms the panel's surface, giving it a dynamic, textured appearance that shifts subtly with light and perspective.



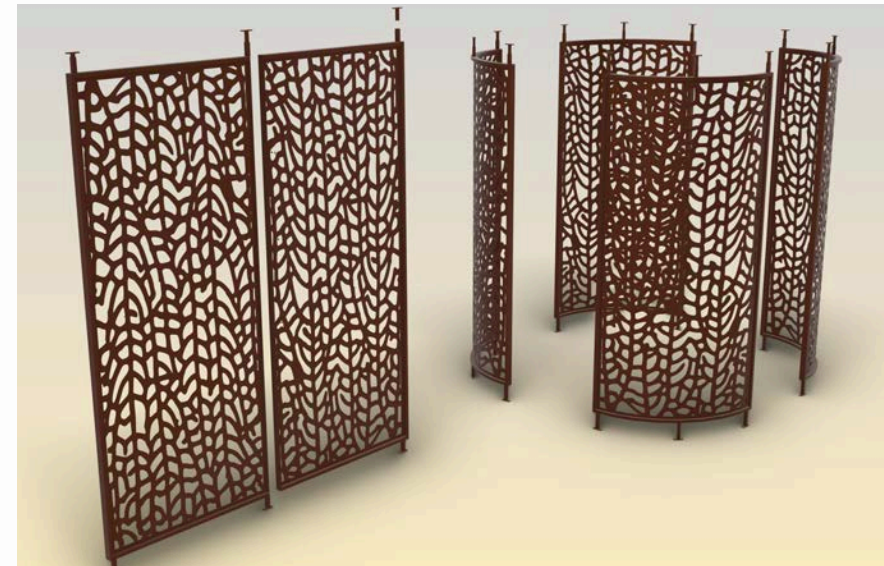
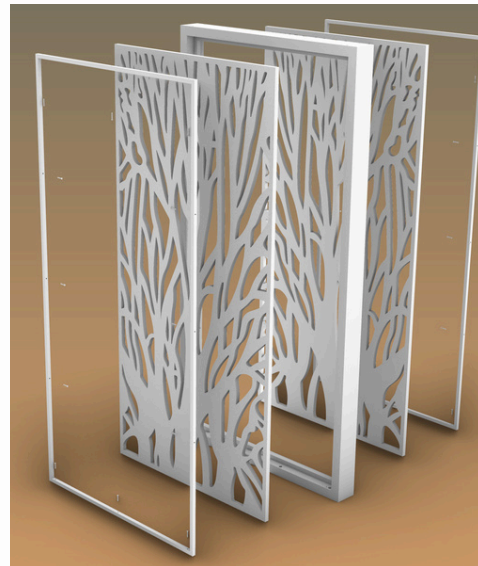


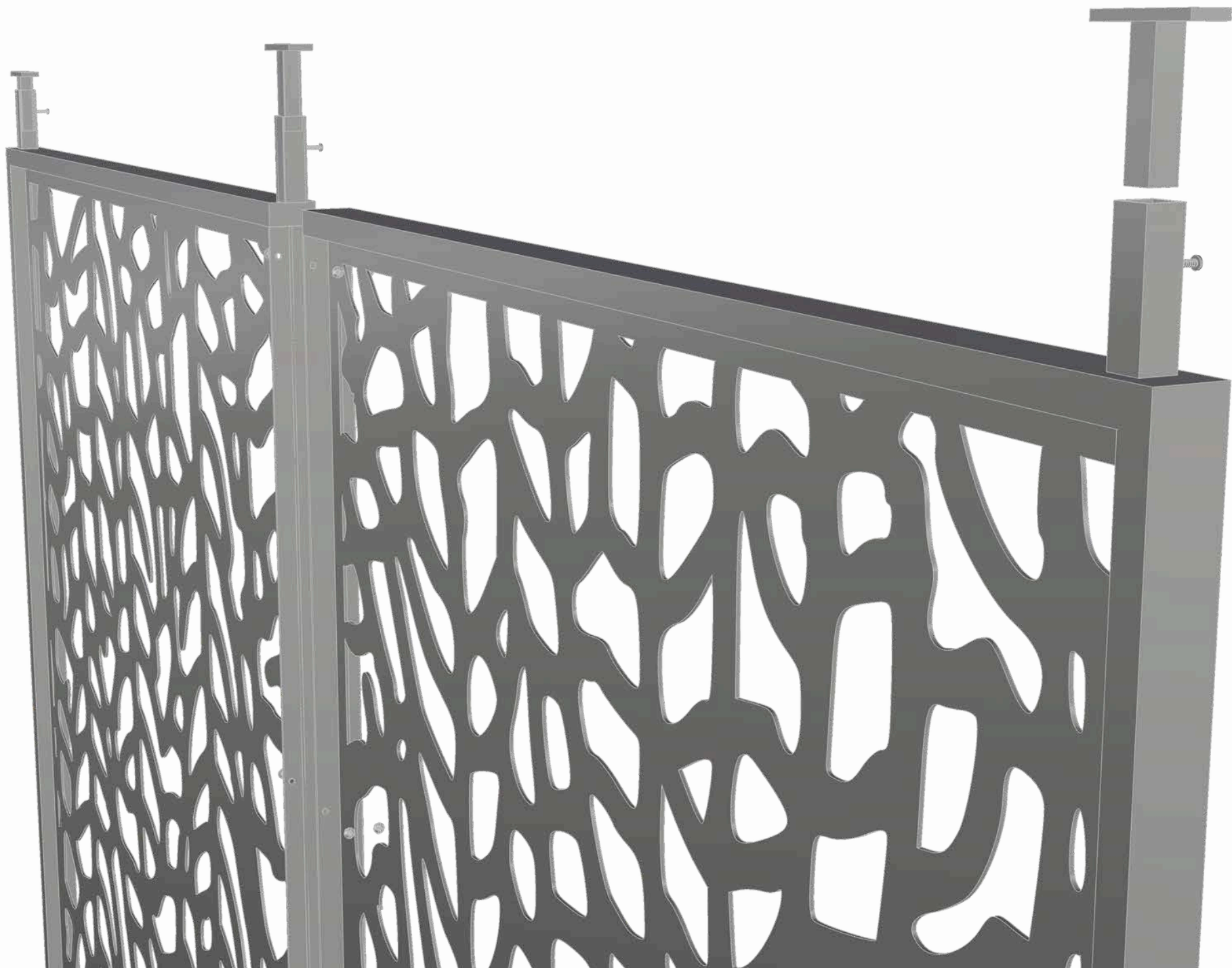


Given the fully-customizable nature of our Panels and their diverse applications, we manufacture our own hardware to accommodate various installation methods. Our approach factors in the customer's budget, the panels' stability, decorative and practical requirements, and the on-site installation process.

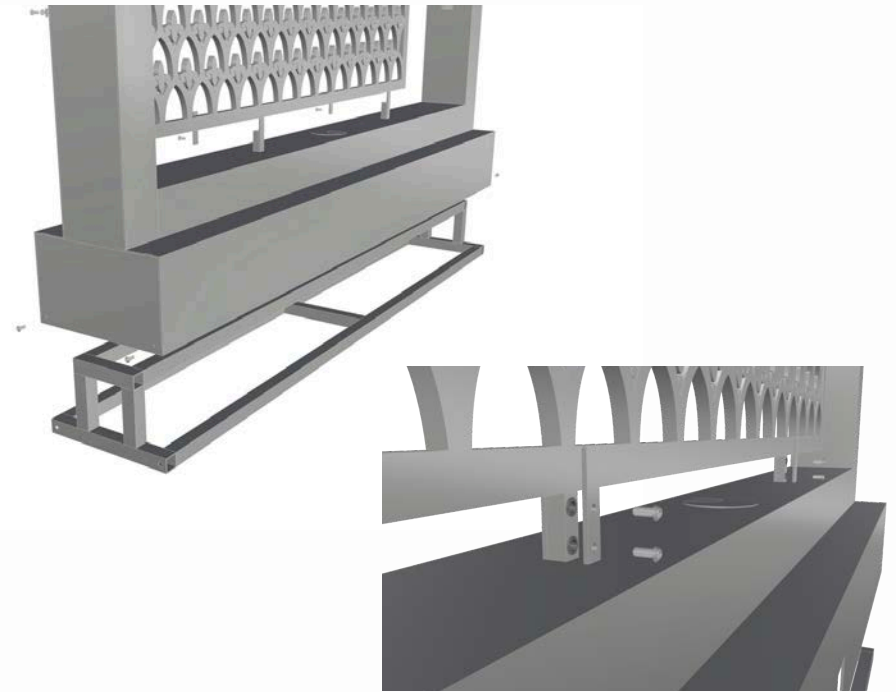
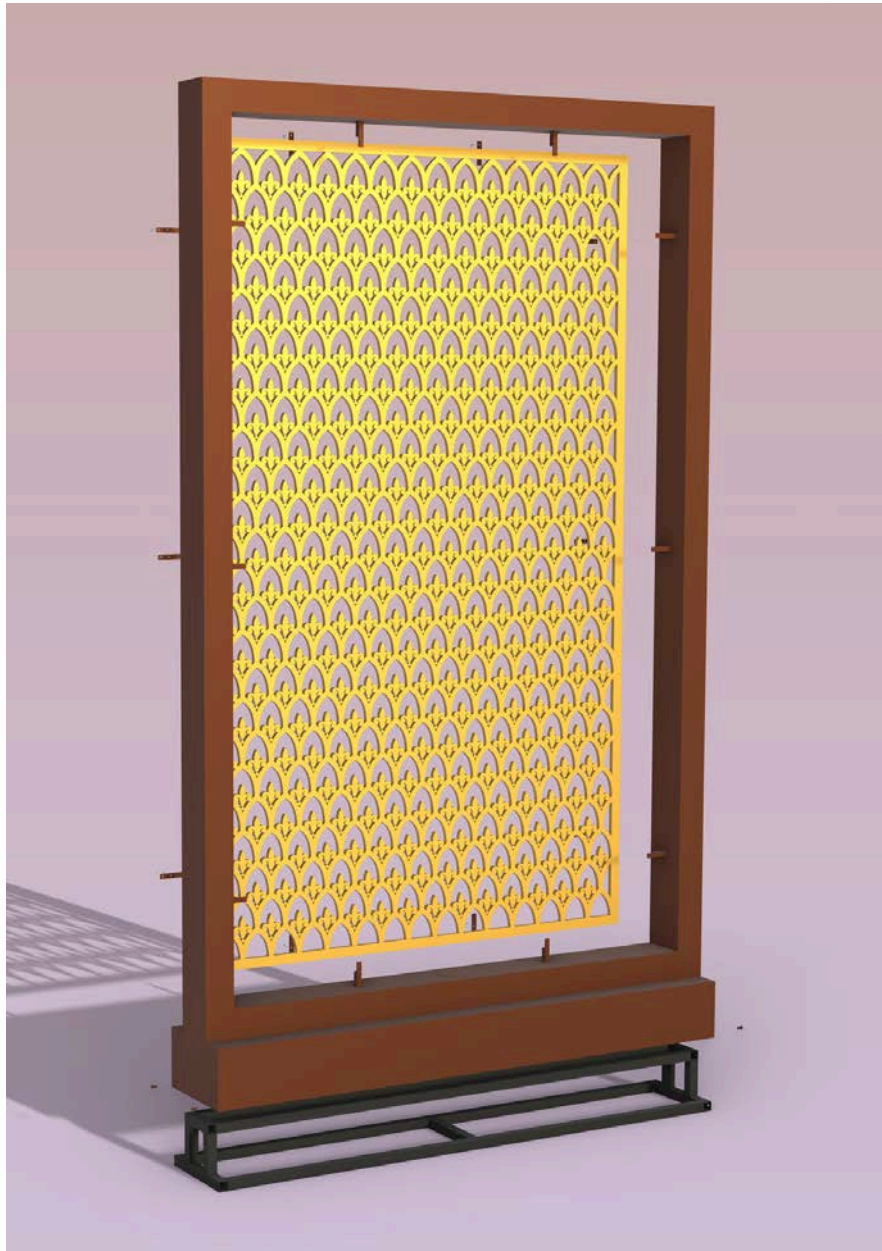
---

SPECIALTY  
HARDWARE  
&  
INSTALLATION  
SOLUTIONS





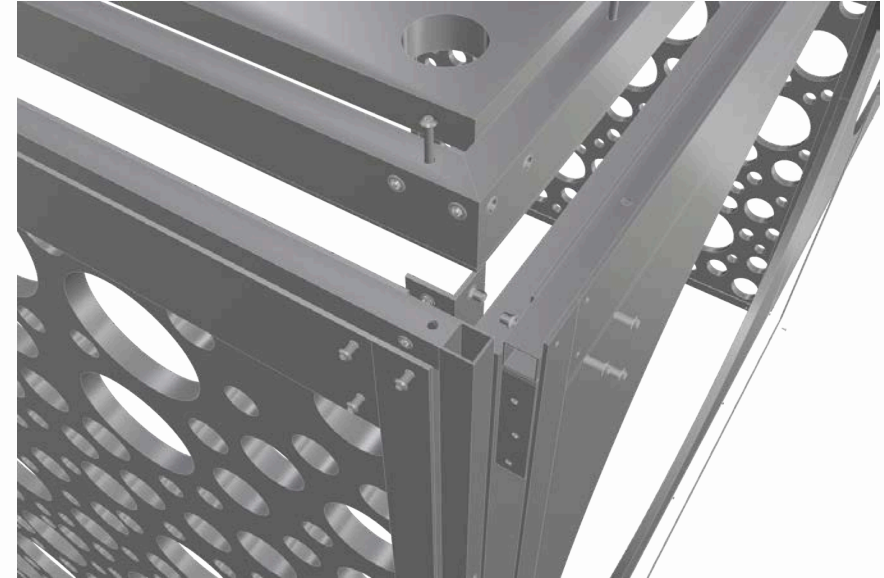
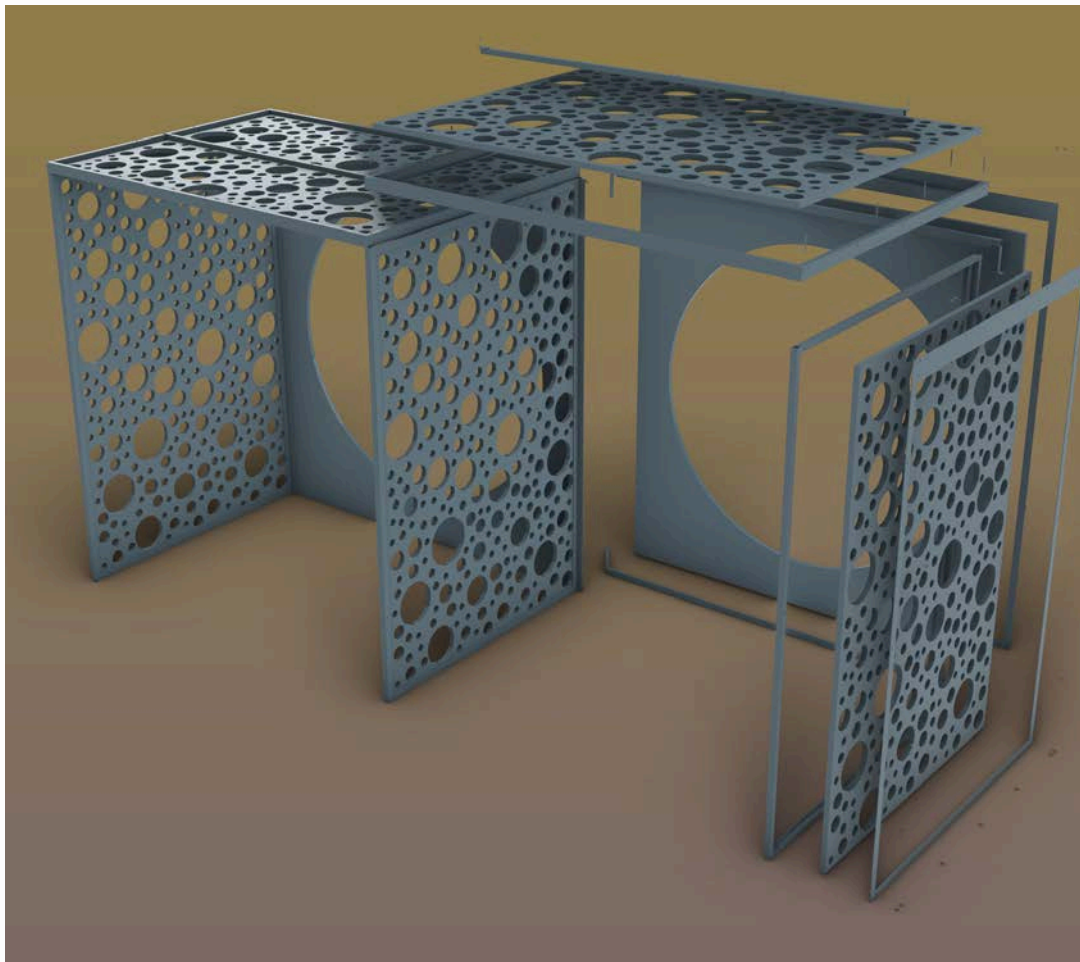
# HISTORIC GRILLE



The original “Historic Grille” was a treasured relic that had deep sentiment and roots for our customers. We were privileged with the task of restoring the broken cast iron panel. We used a photograph of the damaged panel to reproduce a full-sized MDF panel and designed a new steel frame to match the original aesthetics. The frame was crafted from steel using CNC brake press technology, ensuring precision and accuracy.

To accommodate the installation of concealed electrical wiring for an integrated light, we engineered the frame to include channels for running the wiring discreetly. This detail allowed the installer to hide the power source effectively, maintaining the sleek, uninterrupted appearance of the panel.

Our solution not only replicated the classic design but also integrated modern functionality, ensuring that both the visual and practical aspects of the project were addressed with meticulous attention to detail.



When tasked with designing and installing custom work cubicles, we leveraged our standard practices to develop an effective solution tailored to the customer's needs. We customized our standard metal framing system to eliminate redundant components, thereby reducing costs. Our approach involved creating a fully realized 3D model, which facilitated both production and the swift generation of precise installation instructions.

By employing our 3D modeling tools, we developed a minimalistic framing structure that made the installation straightforward and secure, drawing on techniques used for room dividers. We also ensured that the parts were designed to minimize shipping costs and simplify the installation process.

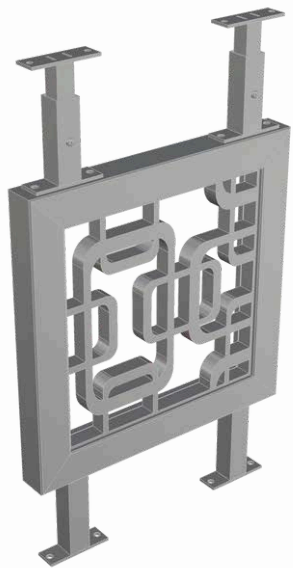
# LAS COLINAS

# STANDARD HARDWARE

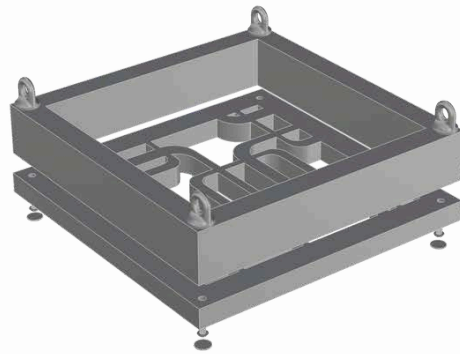
Our hardware solutions are meticulously engineered to ensure optimal performance, durability, and aesthetic harmony with our panels. Each component is selected to meet rigorous quality standards, providing a seamless integration that enhances both functionality and visual appeal.

All options are designed with ease of installation in mind, allowing for quick, straightforward assembly while maintaining the highest standards of safety and performance. By providing reliable and well-crafted hardware, we help our clients bring their architectural visions to life with confidence and efficiency.

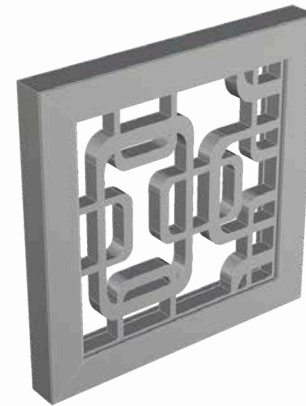
When creating our client's installation plan, aesthetics are taken into high consideration. With options like caps, concealers, and counter sunk holes we strive to beautify even the smallest of details.



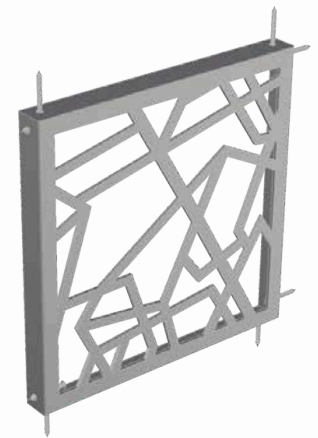
ADJUSTABLE  
STANDOFFS



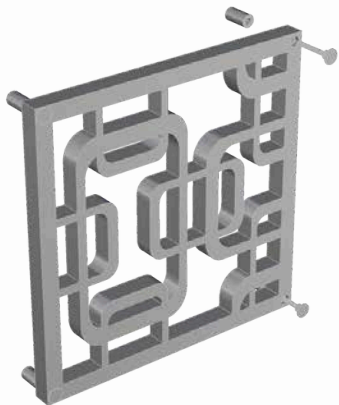
SUSPENDED FRAMING



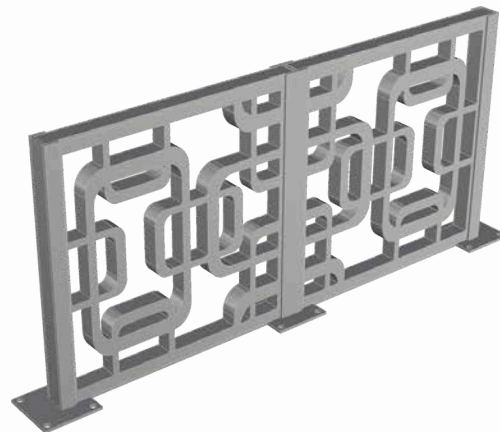
U-CHANNEL  
FRAMING



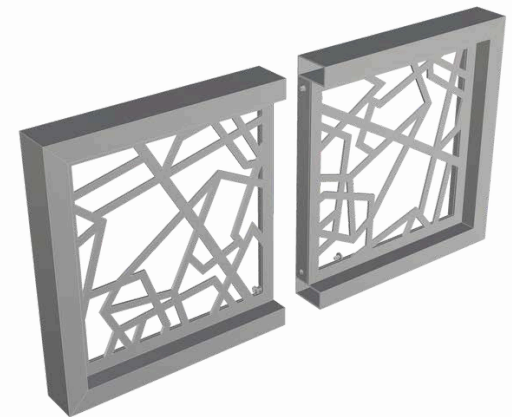
LATERAL SET SCREWS



DIRECT SET  
SCREWS AND CAPS

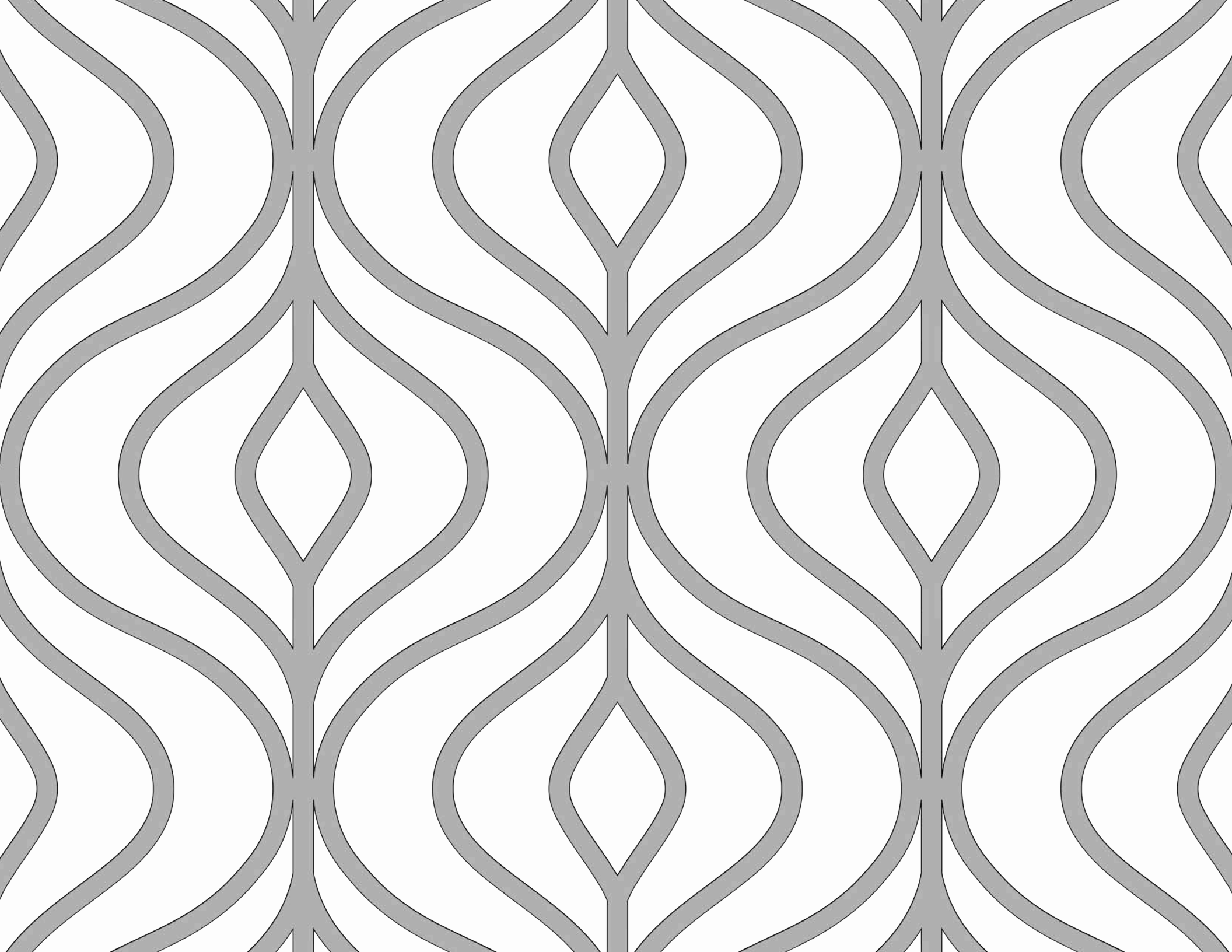


VERTICAL STANDS



OVERSIZE BINDING  
PLATES



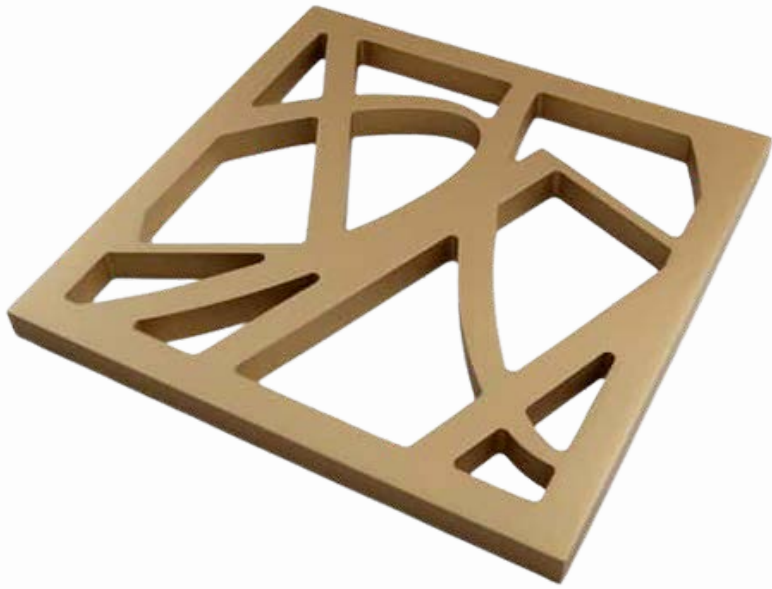


# STANDARD MATERIALS

At Tableaux, we use only the highest quality sustainable materials. Each panel substrate used was carefully selected and tested for its ability to be designed, cut, and finished to our quality benchmarks. Substrates are also chosen based on their natural textures and how well they complement specific design styles.

We pride ourselves in our sustainability factors and numerous environmental certificates. Offering low VOC, formaldehyde-free, recycled panels is only the start of our commitment to a greener future. We continuously seek innovative solutions and improvements to minimize our environmental impact, from energy-efficient manufacturing processes to sourcing materials responsibly.

---



## ELEMENTS

Perfect for contemporary, modern, or industrial styles, Elements combines the aesthetic appeal of steel with the practicality of Class A fire-rated MDF. Explore the possibilities between texture and hues, as this flexible option is available with or without beveling and in any custom paint color you can imagine.





## VENEER

Crafted from sustainable MDF material, each panel features meticulously adhered thin-sliced Walnut or White oak for a natural aesthetic. Through a low-VOC staining process, the wood grain's authentic beauty is enhanced. Ideal for biophilic designs, Veneer seamlessly blends indoor spaces with warmth and charm.



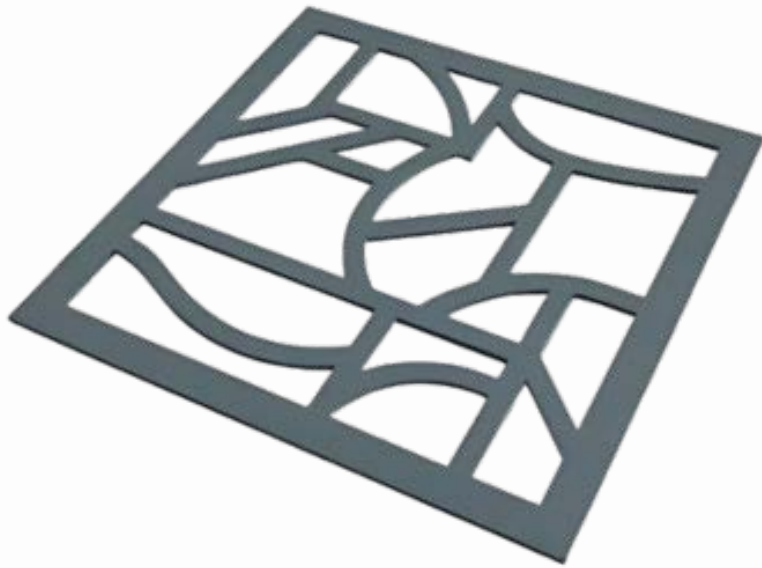


## FAUX IRON

For a fraction of the cost and weight of real iron, Faux Iron blends old-world charm with modern versatility. Fashioned from eco-friendly, moisture-resistant MDF, these panels are ideal for enhancing design themes ranging from classic elegance to industrial chic. Meticulously crafted using CNC machines, we can elevate your piece with single-sided or double-sided beveling.







## ALUMINUM

Aluminum, ideal for a variety of applications, offers a remarkable blend of lightweight strength, flexibility, and corrosion resistance. It's nearly three times lighter than iron, yet boasts impressive durability and is completely recyclable without any loss in quality. With properties such as being non-corrosive, non-sparking, non-magnetic, nontoxic, and non-combustible, aluminum is a versatile choice. Available cutting methods include Laser Cut or Waterjet Cut, tailored to meet your project's specifications and budget.

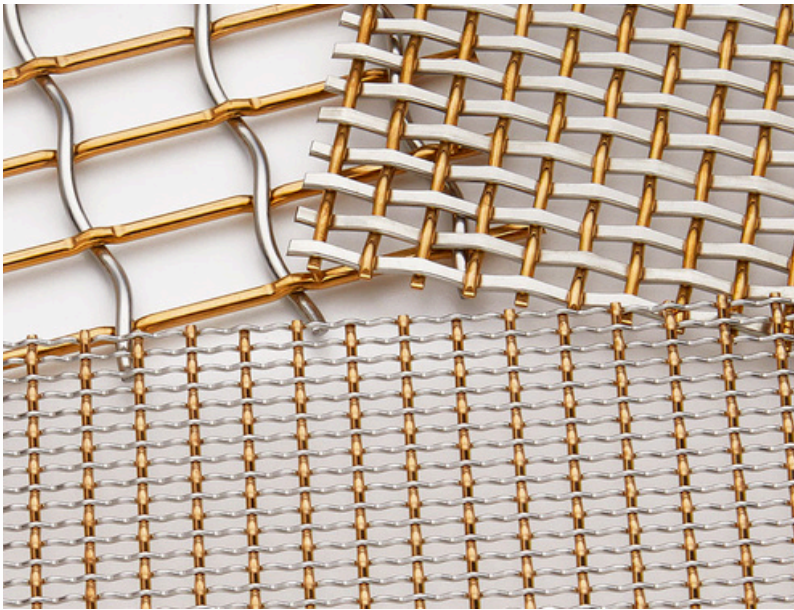




## STEEL

Steel is a diverse material with over 3,500 grades, each offering unique physical, chemical, and environmental characteristics. Mild steel, known for its affordability and versatile properties, is a popular choice for many applications, but we can work with any grade to meet your needs. Whether you're looking for Laser Cut, Waterjet Cut, or Plasma Cut options, we can customize the process to fit your project's specifications and budget.





## MESH MATERIALS

Ideal for a diverse array of applications, wire mesh excels in both style and functionality with its broad selection of density options. This versatile material combines a lightweight design with exceptional strength, making it suitable for various projects. Available in Aluminum, Brass, Copper, and Stainless Steel, wire mesh offers a range of choices to match your needs. Whether you're aiming for a sleek, modern look or seeking durability for demanding conditions, We will help you find the perfect wire mesh solution to elevate your project.



## CONTACT US

E-mail: [info@Tableaux.com](mailto:info@Tableaux.com)

Website: [www.Tableaux.com](http://www.Tableaux.com)

Phone: (512) 926-6346

Address: 8212 Bagby Dr Austin, TX



