

# AD DESIGNS

High Performance Car Audio



**BUY ONE**



**BE DONE**



**Complete System Amplification**



**Non  
Distortion  
Circuit**

**"It's like insurance for your speakers"  
"Play your music loud without distortion"  
"Perfect for jamming down the road"**

# PREMIUM AMPLIFIERS

POWERFUL | CLEAN | EFFICIENT



ADMP 900.6  
1000 Watt 6 Channel

Space Saving  
Mini Amplifiers



ADMP 500.1  
500 Watt 1 Channel



ADMP 200.2  
250 Watt 2 Channel



ADMP 400.1  
440 Watt 4 Channel



ADP 1500.6  
1500 Watt 6 Channel



ADP 700.1  
700 Watt 1 Channel



ADP 1200.1  
1200 Watt 1 Channel



ADP 1000.4  
1000 Watt 4 Channel

Engineered in the U.S.A.  
by Stephen Mantz, founder of ZED Audio,  
Engineering amplifiers since the 70's



DYNAMIC | REALISTIC | DETAILED

# SOUNDSTAGE



**TW124**

1" German Silk Dome Tweeter  
(Sold by pair or included in 4100 and 3100 series component set)



**MC334**

3" Wool Pulp Cone Midrange



**CS641**

6.5" Wool Pulp Cone Woofer  
(Sold in 4100 Series Component Set)



# Premium Hi-End Components

Upgraded midrange tone, more high frequency detail & increased power handling over 2100 Series



4100 Series - CS641 - 6 1/2" Mid / 1" Tweeter



3100 Series - CS631 - 6 1/2" Mid / 1" Tweeter

## Hi-End Starts Here

**2100 Series** Upgraded midrange tone, increased power handling & louder than 1100 Series



CS621 - 6 1/2" Mid / 1" Tweeter



CS52 - 5 1/4" Mid / 1" Tweeter



CX521 - 5 1/4" Mid / 3/4" Tweeter



CX621 - 6 1/2" Mid / 1" Tweeter



CX6921 - 6" x 9" Mid / 1" Tweeter

## Ultimate Factory Upgrade

**1100 Series** Upgraded midrange tone, more high frequency detail & increased power handling over Factory Speakers



CS611 - 6 1/2" Mid / 1" Tweeter



CX6911 - 6" x 9" Mid / 1" Tweeter



CX511 - 5 1/4" Mid / 3/4" Tweeter



CX611 - 6 1/2" Mid / 3/4" Tweeter



CX41 - 4" Mid / 3/4" Tweeter



**Water-resistant wool pulp cone**

Check out our speaker playing under water at:

[www.adcaraudiotech.com](http://www.adcaraudiotech.com)

# SUBWOOFER ENCLOSURE DESIGN SERVICE

CUSTOM TAILORED | FREE | ACOUSTIC ENGINEERED

1

## Define Your Vehicle

Measure Available Space  
Year, Make, & Model



2

## Choose Subwoofers and Amplifier



3

## Choose Genre



4

## Choose Performance Goal

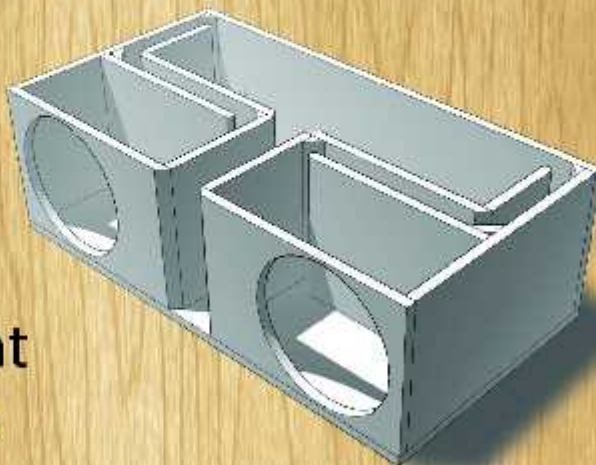


Pure  
Sound  
Quality

Sheer  
Loudness

SPL

FREE  
Blueprint  
Design



Check out videos and enclosure designs at  
[www.adcaraudiotech.com](http://www.adcaraudiotech.com)

# SUBWOOFERS

ARTICULATE | LOUD | PRECISE

**3100 Series**  
Optimal Power Range  
1000 – 1800 Watts



12"

**2100 Series**  
Optimal Power Range  
300 - 1000 Watts



12"

Aluminum  
Cone  
Radiator

Cools Speaker at  
High Volume for  
Increased Power Handling



Powerful  
Magnet

Controls Speaker for  
Detailed Bass Notes at  
High Volume



**3100 Series**



15"

**2100 Series**



8"

10"

**1100 Series**  
Optimal Power Range  
100 - 250 Watts



8"

10"

12"



*DESIGNS*

High Performance Car Audio

[www.adcaraudio.com](http://www.adcaraudio.com)

[info@adcaraudio.com](mailto:info@adcaraudio.com)