

Installation & Maintenance Manual



MONTIGO[®]
the art of **fireplaces**

RP620 INDOOR GAS FIREPLACE



- The installation of this fireplace must be done by a qualified and certified gas appliance installer.
- Check local codes and read all instructions prior to installation.

⚠ WARNING:
FIRE OR EXPLOSION HAZARD
Failure to follow safety warnings exactly could result in serious injury, death, or property damage.

- Do not store or use gasoline or other flammable vapors and liquids in the vicinity of this or any other appliance.
- WHAT TO DO IF YOU SMELL GAS
 - Do not try to light any appliance.
 - Do not touch any electrical switch; do not use any phone in your building.
 - Leave the building immediately.
 - Immediately call your gas supplier from a neighbour's phone. Follow the gas supplier's instructions.
 - If you cannot reach your gas supplier, call the fire department.
- Installation and service must be performed by a qualified installer, service agency or the gas fitter.

⚠ DANGER



HOT GLASS WILL CAUSE BURNS.
DO NOT TOUCH GLASS UNTIL COOLED.
NEVER ALLOW CHILDREN TO TOUCH GLASS.

A barrier designed to reduce the risk of burns from the hot viewing glass is provided with this appliance and shall be installed for the protection of children and other at-risk individuals.

⚠ WARNING

Some materials used in the manufacturing process of this product can expose you to Benzene which is known in the State of California to cause cancer and birth defects or other reproductive harm. For more information go to www.P65warnings.ca.gov

⚠ CAUTION

Installation and service must be performed by a qualified installer, service agency or the gas fitter.

⚠ DANGER

Read and understand this manual. Improper installation, adjustment, alteration, service or maintenance can cause serious injury, property damage or even death. For assistance or additional information consult a qualified installer, service agency or the gas supplier.

NOTICE

This fireplace is certified to ANSI Z21.50 / CSA 2.22 Vented Fireplace Standard as a power assisted direct vent fireplace. This product uses outdoor air for combustion and exhausts combustion products outdoors.

Safety Alert Key

DANGER

Indicates a hazardous situation which, if not avoided, WILL result in death or serious injury or property damage.

WARNING

Indicates a hazardous situation which, if not avoided, COULD result in death or serious injury or property damage.

CAUTION

Indicates a hazardous situation which, if not avoided, WILL result in minor or moderate injury.

NOTICE

Indicates practices that are important, but not related to personal injury.

Introduction

Congratulations on your purchase of a Montigo Fireplace.

With over 30 years of experience, Montigo is committed to providing you with a gas fireplace that is not only a beautiful addition to your space, but that is also designed and manufactured to the highest safety, reliability and engineering standards.

We strongly encourage you to read and carefully follow the instructions laid out in this Installation, Operation and Maintenance Manual and retain it for your future reference. Pay special attention to all cautions, warnings, and notices throughout this manual intended to ensure your safety.

This manual covers installation, operation and maintenance. Lighting, operation and care of this fireplace can be easily performed by the homeowner. All installation and service work should be performed by a qualified or licensed installer, plumber or gas fitter as certified by the state, province, region or governing body where the fireplace is being installed.

This installation, operation and maintenance manual is applicable to the models described in Table 1. Refer to your rating plate to verify included options.

Warranty and Installation Information: (See Appendix B)

The Montigo warranty will be voided by, and Montigo disclaims any responsibility for, the following actions:

- Modification of the fireplace and/or components including Direct-Vent assembly or glass doors.
- Use of any component part not manufactured or approved by Montigo in combination with this Montigo fireplace system.
- Installation other than as instructed in this manual.
- Consult your local Gas Inspection Branch on installation requirements for factory-built gas fireplaces. Installation & repairs should be done by a qualified contractor.

MODEL	Natural Gas	Liquid Propane	Gas Rating	Linear Burner w/ Glass Accessories	SIT Electronic Ignition
RP620N-I	X		75,000	X	X
RP620L-I		X	75,000	X	X

Figure 1 R-Series Single Sided Specifications

NOTICE

Glass doors on gas fireplace are extremely hot while the fireplace is on and remain hot even after the fireplace has been turned off. This fireplace is equipped with a safety screen. Do not operate the fireplace without the safety screen. Keep children away from the fireplace at all times.

NOTICE

Installation and repairs should be done by an authorized gas fireplace service technician. The appliance should be inspected before use and at least annually by a professional. More frequent cleaning may be required due to excessive lint from carpeting, bedding material, etc. It is imperative that control compartments, burners and circulating air passageways of the fireplace are kept clean.

Contents

Safety Alert Key..... 2

Introduction 2

 Section A: Before You Begin 4

 Rating Plate Sample 4

 Standard Installation Checklist..... 5

Section 1: Product Dimensions..... 6

 RP620 Dimensions..... 6

 Introduction to the RP-Series Fireplace..... 7

 Installation Checklist 7

Section 2: Framing 8

 Clearance Requirements:..... 8

 Framing clearances:..... 8

 Non-combustible Framing 9

Section 3: Venting 9

 Section 3-1-1: Converting the Flue..... 9

 Converting the Pressure Sensing Tube..... 10

Typical Framing..... 10

 Framing for Top Vent installations 10

 Framing for Rear Vent installations..... 10

 Framing for Rear Vent w/Vertical Run 10

Section 3: Venting 11

 Section 3-1: Converting to Rear Vent 11

 Section 3-1-1: Converting the Flue..... 11

 Section 3-1-2: Converting the Pressure Sensing Tube and Air Baffle 12

Section 3-2: Installing a Roof Mounted Vent System 13

Section 3-3: Installing a Wall Mounted Vent System 14

 Section 3-3-2: Venting Components..... 15

Section 3-3-3: Heat Shields..... 16

Section 4: Wiring 17

 Installing the Fireplace Control Box..... 17

 Installing the Wall Switch 17

 Electrical control panel..... 18

Section 5: Installing the gas line..... 19

 Gas Pressure 19

 Section 5-3: GAS CONNECTION..... 19

Section 6: Testing the system 20

Section 7: Finishing the fireplace 21

 Mantels and surrounds 21

 Finishing Around the Fireplace 21

Section 8: Removing & Installing Screen and Window 22

 Removing the Screen..... 22

 Removing the Outer window..... 22

Section 9: Installing the Accessories..... 24

 Installing the Firestones or optional Fireglass 24

 Installing Optional Speckled Stones 24

 Installing Optional River Rocks 24

Optional Log Set..... 25

 Log Kit Installation Natural Gas..... 25

Optional Log Set..... 27

 Log Kit Installation Propane..... 27

Section 10: Cleaning and Maintenance 30

 General 30

 Cleaning 30

 Procedure for Checking Calibration of Flue Gas Switch 30

 Replacing Light Bulbs 31

 Servicing the Burner 31

Replacement Parts 32

Appendix A: Power Vent Locations..... 33

 PVVEX510-300 Vertical Power Vent Detail 33

 Unacceptable Install 33

 PVHIN58-300 Inline Power Vent with TMHIN58-40 Detail 33

 PVVEX510-300 Power Vent Locations..... 34

 PVHFX510-300 Horizontal Power Vent Detail..... 36

 PVHFL510-300 Horizontal Power Vent Detail 36

Appendix B: Warranty 39

Appendix B: Warranty Continued 40

Appendix C: Amendment 41

 (Gas Fireplace / Equipment sold in the State of Massachusetts) 5.08: Modifica-
 tions to NFPA-54, Chapter 10..... 41

Section A: Before You Begin

IMPORTANT MESSAGE: SAVE THESE INSTRUCTIONS

The RP Series fireplaces must be installed in accordance with these instructions. Carefully read all the instructions in this manual first. Consult the Local Gas Branch to determine the need for a permit prior to starting the installation. It is the responsibility of the installer to ensure this fireplace is installed in compliance with the manufacturers instructions and all applicable codes.

NOTICE

Do not use this appliance if any part has been under water. Immediately call a qualified service technician to inspect the appliance and to replace any part of the control system and any gas control that has been under water

NOTICE

Due to high temperatures, the appliance should be located out of traffic and away from furniture and draperies

NOTICE

Children and adults should be alerted to the hazards of high surface temperature and should stay away to avoid burns or clothing ignition

NOTICE

A barrier designed to reduce the risk of burns from the hot viewing glass is provided with this appliance and shall be installed for the protection of children and other at-risk individuals

NOTICE

Installation and repair should be done by a qualified service person. The appliance should be inspected before use and at least annually by a professional service person. More frequent cleaning might be required due to excessive lint from carpeting, bedding material, etc. It is imperative that control compartments, burners, and circulating air passageways of the appliance be kept clean

Rating Plate Sample

Type: <input checked="" type="checkbox"/> N - Natural Gas / Gaz Naturel <input type="checkbox"/> LP - Propane / Gaz Propane		For Indoor Use Not for use with solid fuel. / Pas pour l'usage avec le combustible solide. Not for use with air filters. / Pas pour l'usage avec des filtres à air.	
Model No. / Modèle: RP620-I		For Indoor Use Not for use with solid fuel. / Pas pour l'usage avec le combustible solide. Not for use with air filters. / Pas pour l'usage avec des filtres à air.	
Serial No.: 2-150105-00000000000		For Indoor Use Not for use with solid fuel. / Pas pour l'usage avec le combustible solide. Not for use with air filters. / Pas pour l'usage avec des filtres à air.	
Manufacturer / Fabricant: Canadian Heating Products Inc., Langley BC, www.montigo.com Montigo DelRay Corp., Ferndale, WA, www.montigo.com		For Indoor Use Not for use with solid fuel. / Pas pour l'usage avec le combustible solide. Not for use with air filters. / Pas pour l'usage avec des filtres à air.	
Tested To / Examiné À: ANSI Z21.50-2014 / CSA 2.22-2014		For Indoor Use Not for use with solid fuel. / Pas pour l'usage avec le combustible solide. Not for use with air filters. / Pas pour l'usage avec des filtres à air.	
Electrical Rating / Estimation Électrique: Power Vent 120V / 1Ph / 60Hz / Less than 12A Altitude Rating / Estimation D'Altitude: N & H (0 - 4500 ft. / 0 - 1371 m).		For Indoor Use Not for use with solid fuel. / Pas pour l'usage avec le combustible solide. Not for use with air filters. / Pas pour l'usage avec des filtres à air.	
Fuel Type / Type De Carburant: <input checked="" type="checkbox"/> N - Natural Gas / Gaz Naturel <input type="checkbox"/> LP - Propane / Gaz Propane		For Indoor Use Not for use with solid fuel. / Pas pour l'usage avec le combustible solide. Not for use with air filters. / Pas pour l'usage avec des filtres à air.	
Max. Input Max. Entrée BTU/H 75,000		Output / Rendement BTU/H N/A	
Min. Input Min. Entrée BTU/H 70,000		Orifice Size / Taille D'Orifice Front/Avant Rear/Dernière 5@47dms / N/A	
Gas Manifold Pressure / Pression D'Alimentation Du Gaz 3.5" W.C. 10" W.C.		Min. Gas Supply Pressure / Min. Pression D'Alimentation Du Gaz 5.5" W.C. 11" W.C.	

*Clearance to Combustibles *Dégagements Aux Combustibles	
Sides/Côtés:	5-5/8"
Back/Dernière:	4"
Top-Top Vent/Du Haut-Évent Du Haut:	25-3/4"
Top-Rear Vent/Du Haut-Évent Arrière:	25-3/4"
Floor/Plancher:	0"
Mantel/Manteau:	2"
Recess Depth/Profondeur D'Encadrement:	N/A
Flue:	1"

Vented Gas Fireplace
 Not for use with solid fuel. / Pas pour l'usage avec le combustible solide.
 Not for use with air filters. / Pas pour l'usage avec des filtres à air.
 RP620-I
 2-150105-00000000000
 Canadian Heating Products Inc., Langley BC, www.montigo.com
 Montigo DelRay Corp., Ferndale, WA, www.montigo.com
ANSI Z21.50-2014 / CSA 2.22-2014
 Electrical Rating / Estimation Électrique: Power Vent 120V / 1Ph / 60Hz / Less than 12A
 Altitude Rating / Estimation D'Altitude: N & H (0 - 4500 ft. / 0 - 1371 m).

Type:
 N - Natural Gas / Gaz Naturel
 LP - Propane / Gaz Propane



Do Not Remove This Label
N'enlevez Pas Cette Étiquette

*Refer to installation manual for more information.
 *Référez-vous au manuel d'installation pour plus d'information.
 LBL1207D-V5.0 RFP VIEW_HSL_WITH_SCREEN_DEC-11-2014

FOR USE WITH GLASS DOORS AND SCREENS CERTIFIED WITH THE APPLIANCE ONLY
Pour utilisation avec portes de verre and écrans de certifiés avec l'appareil seulement

Figure 1.b Rating Plate for RP620

Standard Installation Checklist

This standard installation checklist is to be used by the installer in conjunction with, not instead of, the instructions contained within this installation manual.

Customer _____	Date Installed: _____
Install Address: _____	Location of Fireplace: _____
_____	Installer: _____
Model (circle one): RP620N-I, RP620L-I	Dealer Phone: _____
	Serial #: _____

	YES	NO	IF NO, WHY NOT?
Appliance Install: Section 2			
Framing complies with install manual.			
Standoffs have been installed.			
Proper clearances have been maintained.			
Venting: Section 3			
Venting configuration complies with vent diagrams.			
Venting installed, fastened, and secured in place maintaining proper clearance.			
Firestops installed.			
Exterior wall/roof flashing installed and sealed in compliance with local building code.			
Terminations installed and sealed in compliance with local building code.			
Direct vent termination is highest point in vent assembly.			
Wiring/Electrical: Section 4			
Unswitched power provided to the appliance PPO box.			
Low voltage wire connected to dry contact wall switch (non-powered)*			
Gas: Section 5			
Proper appliance for fuel type.			
Was a conversion performed?			
Leak check performed & inlet pressure verified.			
Finishing: Section 6			
Only non-combustible materials installed in non-combustible areas.			
Clearances meet installation manual requirements			
Mantels and/or projections comply with install manual			
Appliance Setup: Section 7 through 9			
Media, door, and screen installed according to install manual			
Manual given to home owner.			
Started appliance and verified no gas leaks exist.			
Comments:			

Section 1: Product Dimensions

RP620 Dimensions

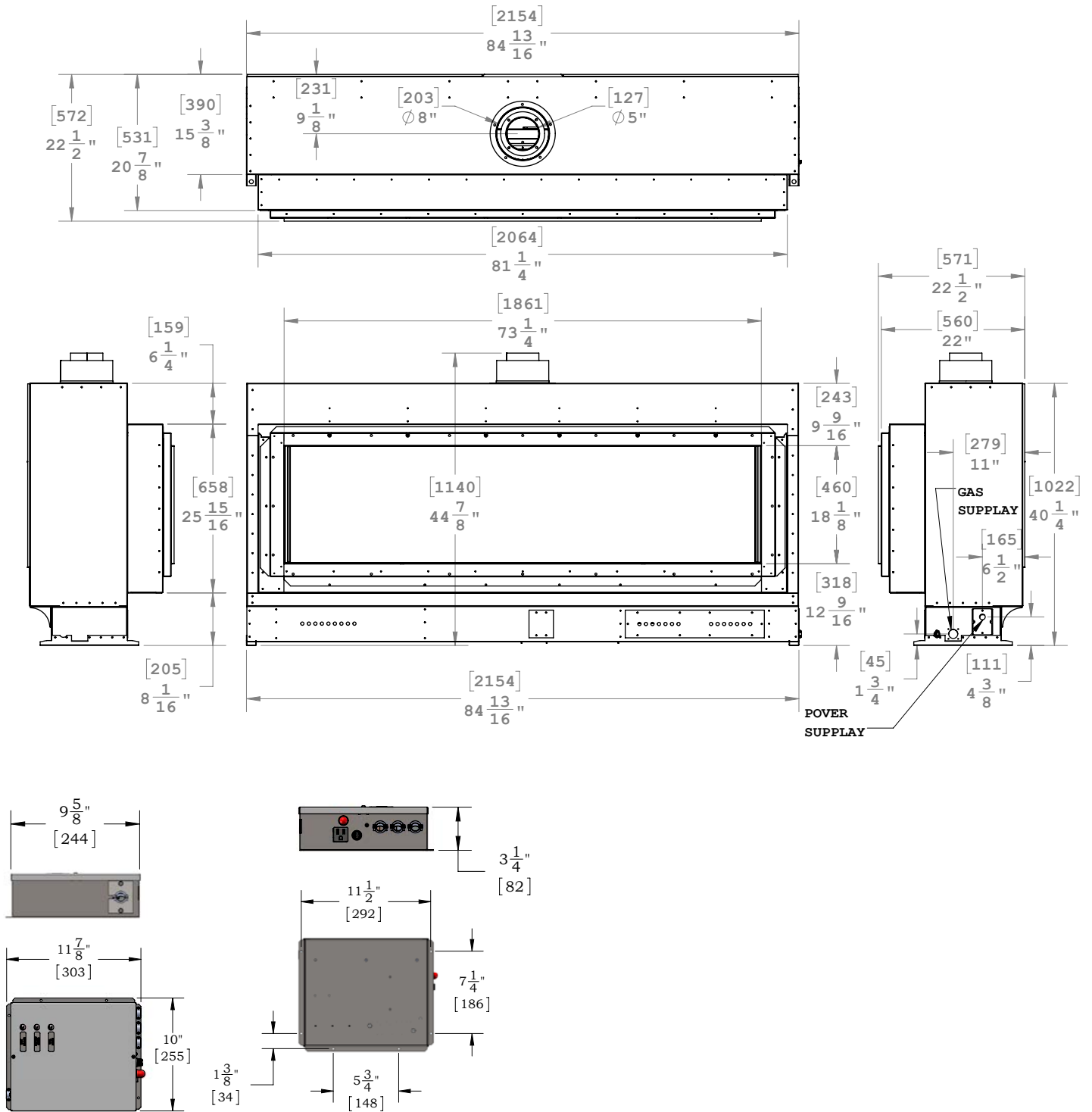
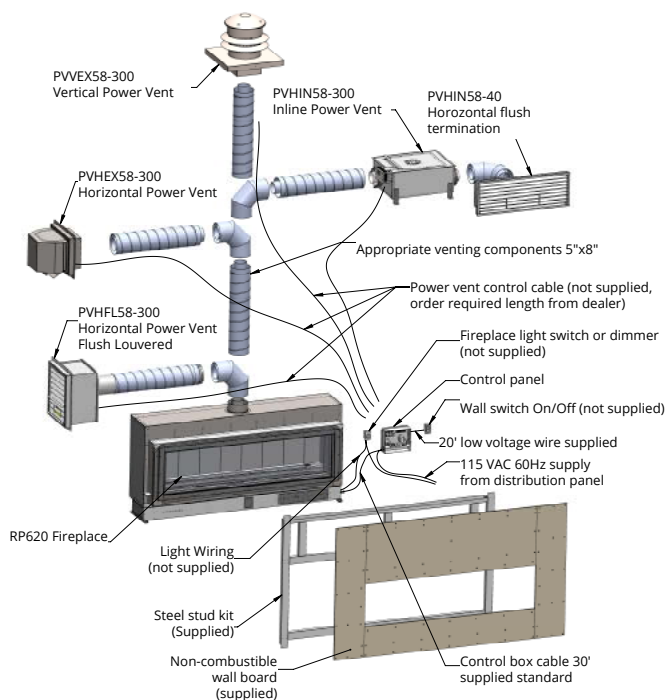


Figure 2.b Control Box Dimensions (Tolerance ± 1/8").

Introduction to the RP-Series Fireplace

The complete system will require a firebox, a power vent termination, an electrical control panel, and a vent system. There are 3 different power vent terminations available depending on your installation requirements. Each power vent requires a control cable to be installed between the power vent and the control panel. Review the installation sequence for general information on preparing for a successful installation of your fireplace. The RP-Series fireplace is not intended to be used as a primary heat source and should not be connected and operated with a thermostat switch.



Installation Checklist

Install location:

The RP-Series fireplace may be installed in any location that maintains proper clearances to air conditioning ducts, electrical wiring, and plumbing. Safety, as well as efficiency of operation, must be considered when selecting the fireplace location. Try to select a location that does not interfere with room traffic, has adequate ventilation, and offers an accessible pathway for Power Vent installation.

Basic Operation:

The gas control components of this fireplace are located in the bottom of the firebox below the burner system. All models are supplied with a Honeywell smart valve gas control and do NOT have a variable flame control. A differential pressure switch is located at the bottom of the firebox monitors airflow and controls the gas valve. A thermal switch located on the top of the firebox acts as a secondary safety system and shuts down the fireplace in the event that normal operating temperatures exceeded. These components communicate with the electrical control panel through a six conductor cable supplied with the fireplace.

To operate the fireplace, Montigo supplies 20' of low voltage wire from the electrical control panel. Connect the two wire harnesses to a standard single pole ON/OFF switch to the location of your choice. You may extend these wires up to 100' in length with a wire of equal quality.

This fireplace is equipped with lights which need to be wired through a wall switch or dimmer circuit as shown in the schematic.

ON/OFF control of this appliance can also be performed using an optional remote control available from your Montigo dealer.

Fuel Type

Verify that your fireplace is compatible with your available gas type. Natural Gas or Propane shown by "N" or "L" in your model number on rating plate.

- Installation and repairs should be done by a qualified contractor and must conform to:
 - Installations in Canada must conform to the local codes or in the absence of local codes to the current version of Natural Gas and Propane Installation Code, CSA B149. Electrical Installations must conform to the local codes or, in the absence of local codes, to the current version of Canadian Electrical Code, CSA C22.1.1
 - Installations in the USA must conform to the local codes or in the absence of local codes to the current version of National Fuel Gas Code, ANSI Z223.1/NFPA 54. Electrical Installations must conform to the local codes or, in the absence of local codes, to the current version of the National Electrical Code, ANSI/NFPA 70. See Appendix C for installation within the State of Massachusetts.

Section 2: Framing

Clearance Requirements:

To ensure the fireplace operates safely, all models must maintain the following clearances:

MODEL	Top - Rear vent †	Top - Top vent †	Rear - Top vent †	Rear - Rear vent †	Sides	Floor	Mantel
RP620	15¼"	25¾"	4¾"	4¾"	5¾"	0"	2"

Figure 3. Combustible Wall Clearances

NOTES:

- † Clearance from top of fireplace to a combustible ceiling within the fireplace enclosure. Unprotected combustible walls which are perpendicular to the fireplace opening must maintain 6" clearance

NOTICE

When constructing the framed opening, please ensure there is access to install the gas line when the unit is installed.

When planning your installation, take into consideration the area around the appliance where combustible building materials cannot be placed. Regardless of the type of construction used, or if the unit is a raised installation or any other consideration or construction illustration else where in this manual, combustible materials cannot be placed in this region. This illustration depicts to a greater extent the minimum size of the fireplace chase that this appliance requires. You can also use this diagram to double check the clearances once the unit has been installed, prior to closing the fireplace enclosure.

Non-combustible installations must maintain the fireplace enclosure cavity volume minimum and a 1" clearance around the firebox.

Framing clearances:

TOP VENTED

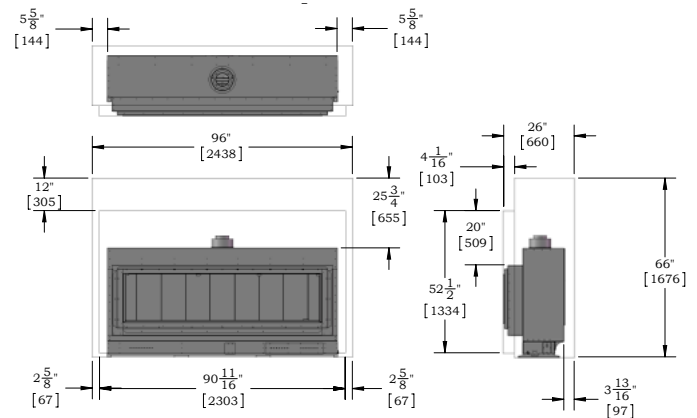


Figure 3.b RP620* Top Vented Framing Clearances

REAR VENTED

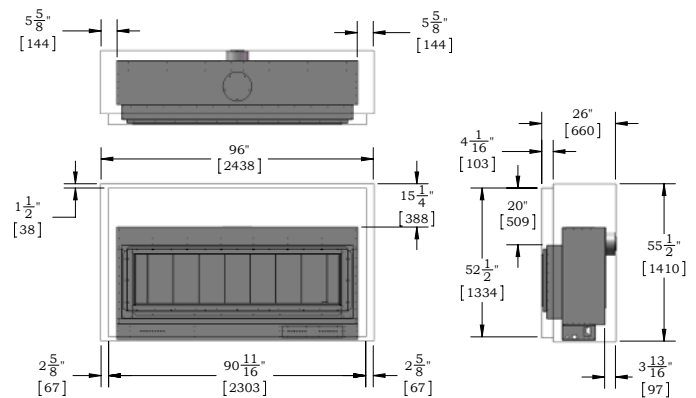


Figure 3.c RP620* Rear Vented Framing Clearances

Section 3: Venting

Non-combustible Framing

ASSEMBLE THE NON-COMBUSTIBLE FRAMING AS SHOWN BELOW

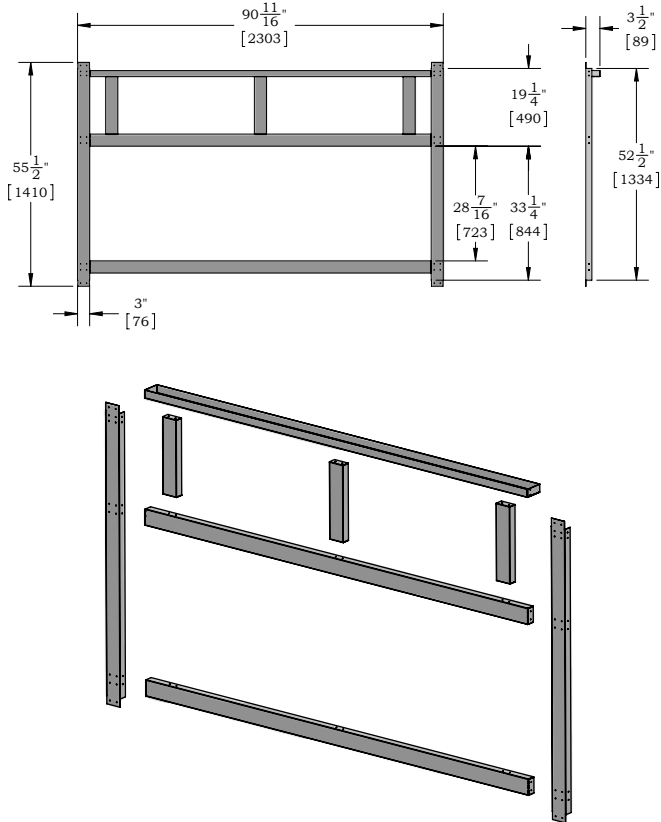


Figure 3.d Non-combustible framing

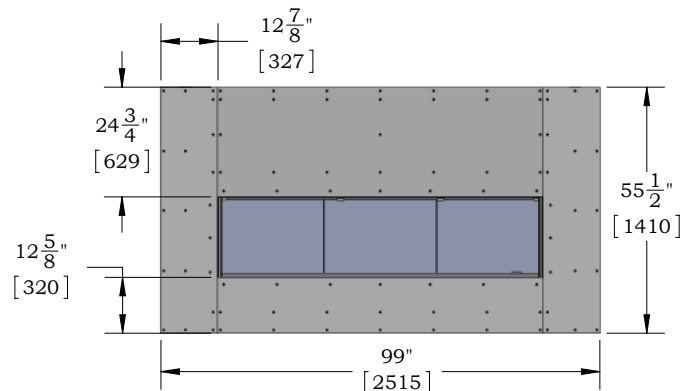


Figure 3.e Wall board dimensions as supplied.

Section 3-1-1: Converting the Flue

1. Remove the Rear flue cover with gasket on the flue outlet, as shown in Figure 4. ENSURE YOU DO NOT DAMAGE THE FIBRE GASKETS.
2. Remove the Top flue collar on the flue outlet, as shown in Figure 4. ENSURE YOU DO NOT DAMAGE THE FIBRE GASKETS.
3. Install the removed Rear flue cover to the Top Vent outlet. Fasten the cover with included hardware, as shown in Figure 4b.

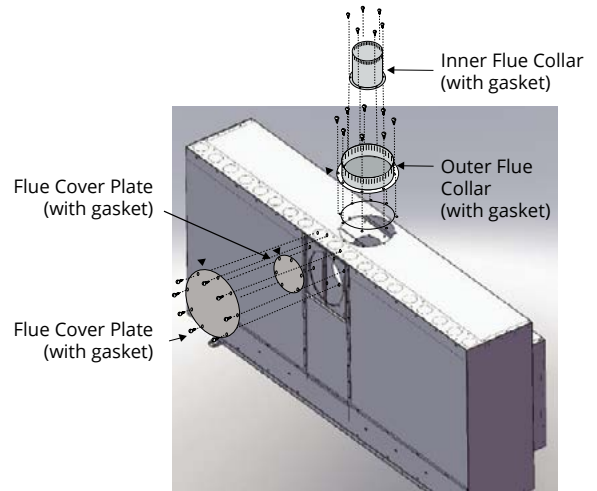


Figure 4. Flue cover and collar removal, Top Vented fireplace.

4. Install the collars to the rear vent outlet using the included hardware, as shown in Figure 4.b
5. Proceed to Section 3-1-2: Converting Pressure Sensing Tube and Air Baffle.

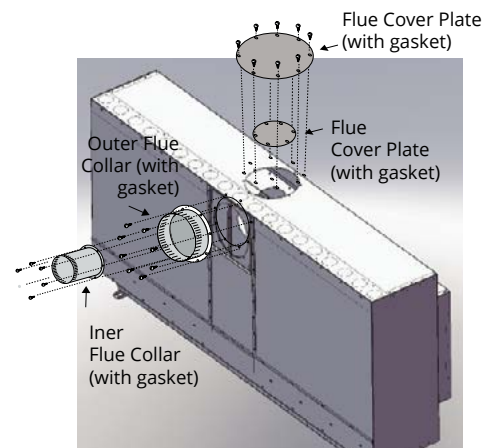
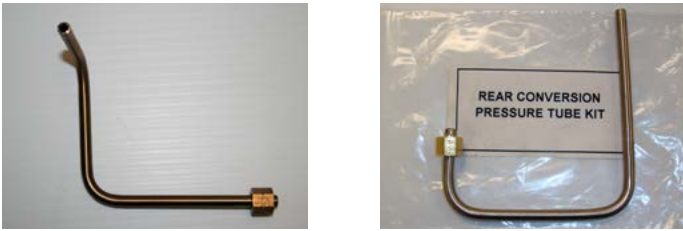


Figure 4.b Flue cover and collar installation, Rear Vented fireplace

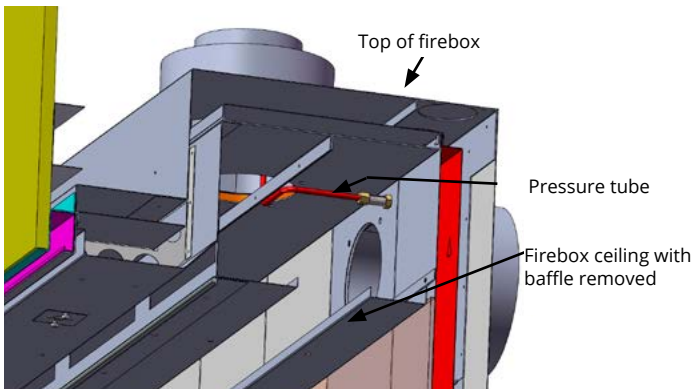
Typical Framing

Converting the Pressure Sensing Tube

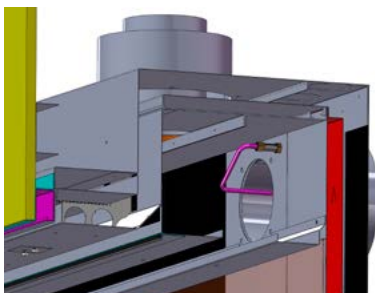
The Top Vent pressure sensing tube must be removed and replaced with supplied Rear Vent pressure sensing tube.



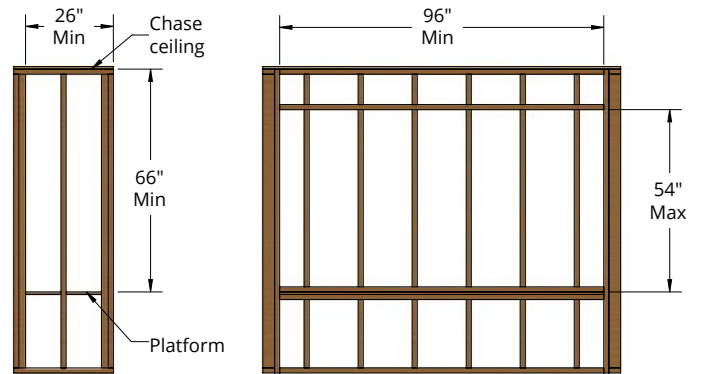
1. Remove six screws from the firebox ceiling baffle to access pressure sensing tube from the inside of the firebox, as shown in figure 6b.
2. Remove Top Vent pressure sensing tube by loosening the compression nut with a ½" wrench.



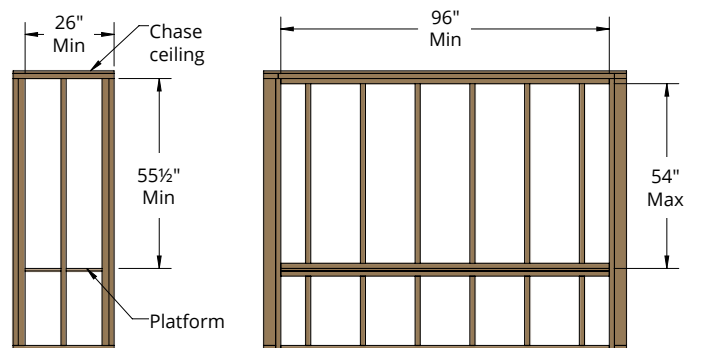
3. Position the supplied Rear Vent pressure sensing tube as shown in Figure 6c, position the tube in the center of the 5 inch pipe. Hand tighten the compression nut and tighten half a turn with a wrench. **DO NOT OVERTIGHTEN.**
4. Re-install the firebox ceiling baffle.



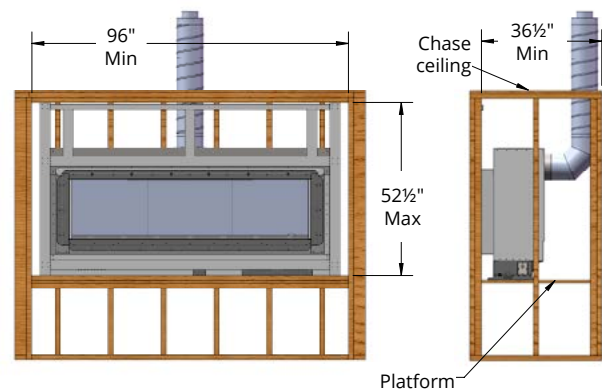
Framing for Top Vent installations



Framing for Rear Vent installations



Framing for Rear Vent w/Vertical Run



Section 3: Venting

Montigo supplies a variety of power venting options. The location of the power vent should be selected and laid out to provide the most efficient possible run to an external wall or through the roof.

Notes For Planning Venting:

- RP-Series fireplaces are Power Vent Designated.
- Venting originates from the top or rear of the unit.
- Venting can terminate through the roof or exterior wall.
- For a detailed diagram of allowed termination locations, see Appendix A.
- Once the termination location has been established refer to the appropriate section for installation details.
- All fireplaces are shipped Top Vent from the factory.
- Follow the chart on page 14 or page 15 for maximum ventrun and maximum elbows.

Section 3-1: Converting to Rear Vent

RP-Series units are shipped for Top Vent installations. Follow the Instructions to convert unit for Rear Vent installation:

Section 3-1-1: Converting the Flue

1. Remove the Rear flue cover with gasket on the flue outlet, as shown in Figure 4. ENSURE YOU DO NOT DAMAGE THE FIBRE GASKETS.
2. Remove the Top flue collar on the flue outlet, as shown in Figure 4. ENSURE YOU DO NOT DAMAGE THE FIBRE GASKETS.
3. Install the removed Rear flue cover to the Top Vent outlet. Fasten the cover with included hardware, as shown in Figure 4b.

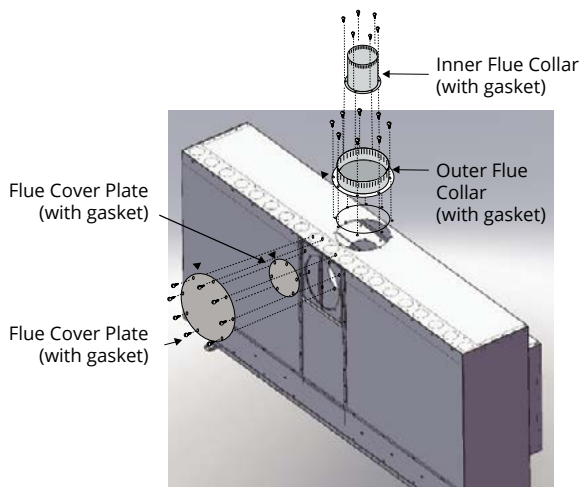


Figure 4. Flue cover and collar removal, Top Vented fireplace.

4. Install the collars to the rear vent outlet using the included hardware, as shown in Figure 4.b
5. Proceed to Section 3-1-2: Converting Pressure Sensing Tube and Air Baffle.

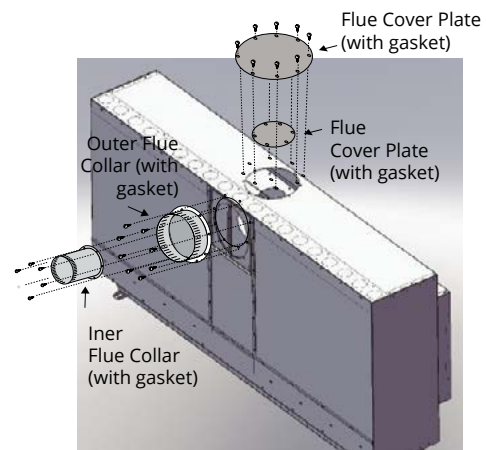


Figure 4.b Flue cover and collar installation, Rear Vented fireplace

NOTICE

Under no circumstances can Montigo flex venting be cut to accommodate an installation. Use an alternative length to complete your vent run.



Section 3-1-2: Converting the Pressure Sensing Tube and Air Baffle

When the unit is converted from Top Vent to Rear Vent, the pressure sensing tube must be removed and replaced with supplied Rear Vent pressure sensing tube and air baffle must be relocated as described below.



Figure 5 Factory installed Top Vent Pressure Sensing Tube



Figure 5.b Supplied Rear Vent Pressure Sensing Tube

1. Remove two screws from the air baffle installed over the Top Vent from inside the firebox. Once air baffle is removed, replace the two screws back into the same position. NOTE: Not all models are equipped with an air baffle. Only convert if available.
2. Remove Top Vent pressure sensing tube but loosening the compression nut with a 1/2" wrench.

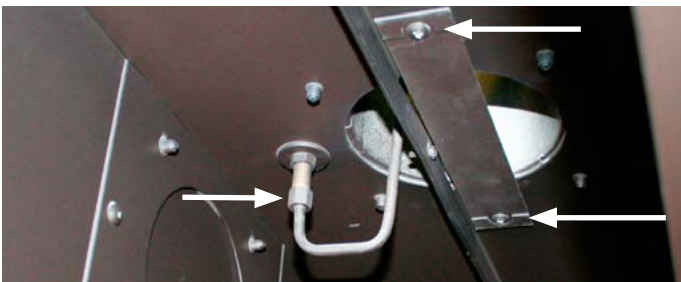


Figure 5.c Removal of Top Vent air baffle and pressure sensing tube

3. Position the supplied Rear Vent pressure sensing tube as shown in Figure 5d. Hand tighten the compression nut by hand and then a half-turn with a wrench.
4. Install air baffle over Rear Vent from inside the firebox with two screws provided at the Rear Vent.

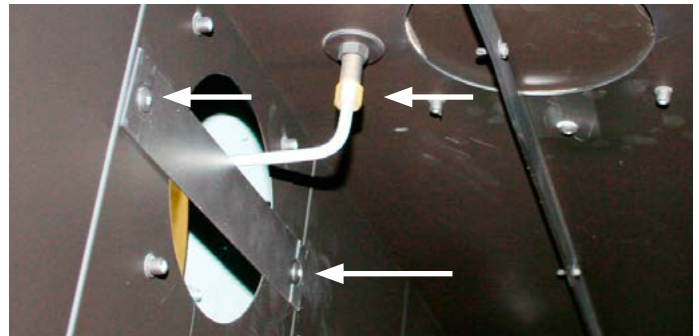


Figure 5.d Install of side air baffle and pressure sensing tube.

NOTE: Rear vent pressure sensing tube is shipped inside the control box.

Section 3-2: Installing a Roof Mounted Vent System

This section applies to installations where the most efficient vent run is through the roof. Refer to Appendix A - Power Vent locations, to ensure the planned Power vent location is acceptable. Refer to the table below for vent run requirements

Vent Configuration	Refer to Figure	Maximum Vent Run (Horizontal + Vertical)	Maximum Elbowst
Straight Vertical Top or Rear Vent	Figure 6	100 Feet	Six 90° or equivalent †
Multi-Elbow Top or Rear Vent	Figure 6.b		
Multi-Elbow with 6' downward vent run Top or Rear Vent	Figure 6.c	70 Feet**	

† One 90° elbow is equal to two 45° elbows.

** For every additional 1 foot downward vent run subtract 10 feet from the maximum vent run.

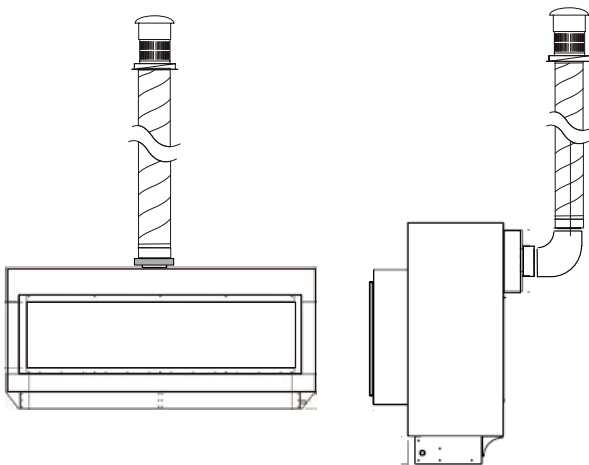


Figure 6. Straight Vertical, Top or Rear Vent, Roof mounted power vent.

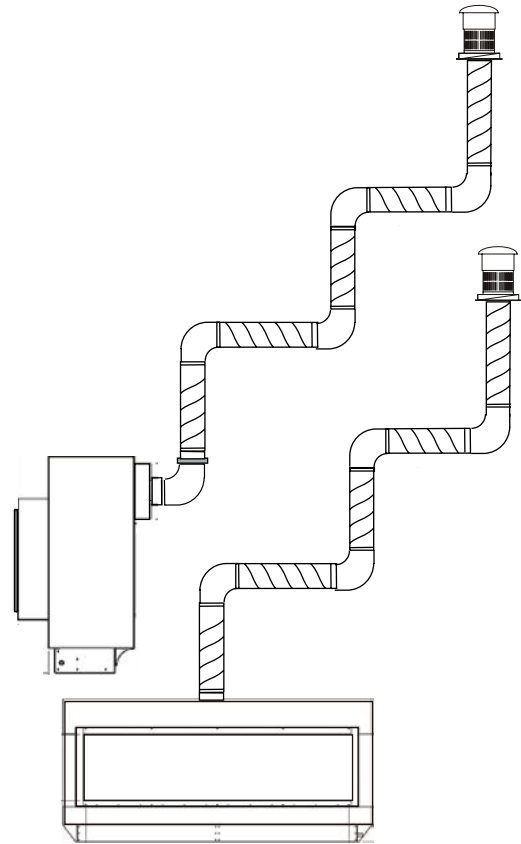


Figure 6.b Multi-Elbow, Top or Rear Vent, Roof mounted power vent.

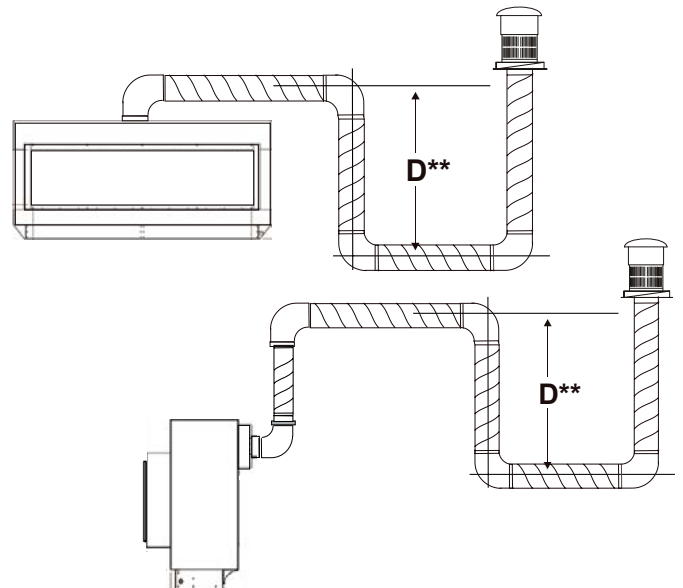


Figure 6.c Multi-Elbow with downward vent run, Top or Rear Vent, Roof mounted power vent.

Section 3-3: Installing a Wall Mounted Vent System

This section applies to installations where the shortest possible vent run is through the wall. Refer to Appendix A - Power Vent locations, to ensure the planned Power vent location is acceptable. Refer to the table below for vent run requirements. Please note, images are shown without screens for clarity purposes. However, your fireplace should not be operated without proper installation of screens.

Vent Configuration	Refer to Figure	Maximum Vent Run (Horizontal + Vertical)	Maximum Elbows†
Straight Horizontal Top or Rear Vent	Figure 6.d	100 Feet	Six 90° or equivalent†
Multi-Elbow Top or Rear Vent	Figure 6.f		
Multi-Elbow with 6' downward vent run Top or Rear Vent	Figure 6.g	70 Feet**	

† One 90° elbow is equal to two 45° elbows.

** For every additional 1 foot downward vent run subtract 10 feet from the maximum vent run.

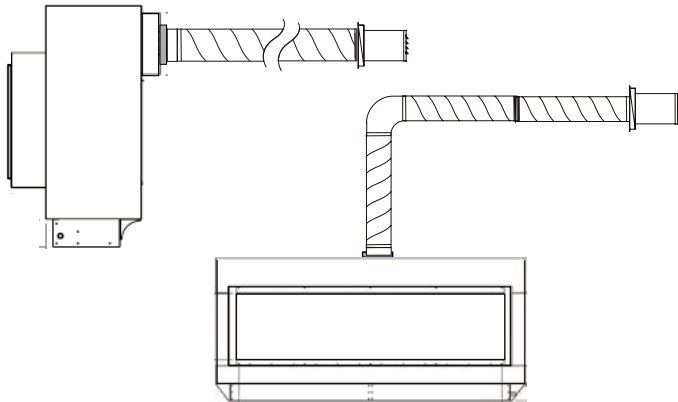


Figure 6.d Straight Horizontal, Top or Rear Vent, Wall mounted power vent.

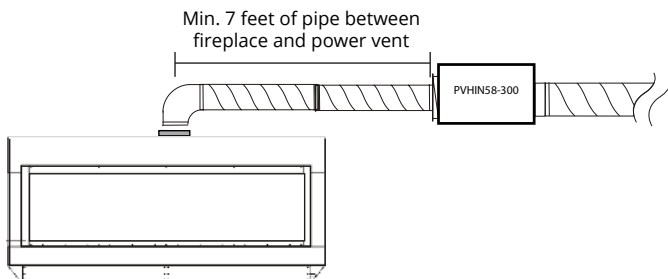


Figure 6.e PVHIN58-300 Power Vent

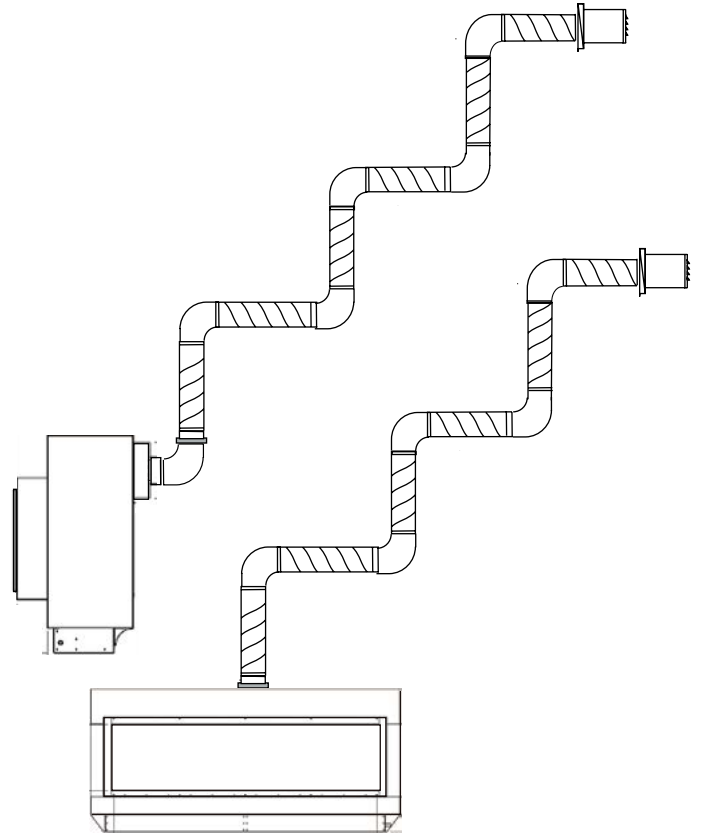


Figure 6.f Multi-Elbow, Top or Rear Vent, Wall mounted power vent.

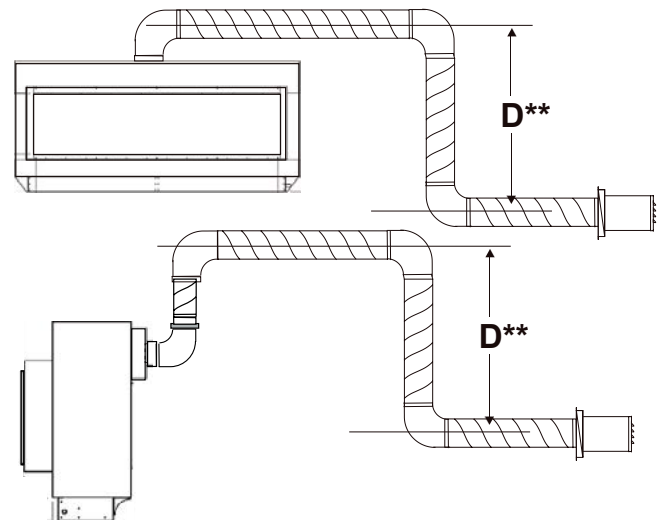


Figure 6.g Multi-Elbow with downward vent run, Top or Rear Vent, Wall mounted power vent.

Section 3-3-2: Venting Components

The following components and associated Montigo part numbers are for installation of a roof or wall mounted termination. Use of non-Montigo approved parts will VOID the warranty and may impede operation of the fireplace.

A - Termination	PVHEX58-300 Wall Mount 5"/8" PVHFL58-300 Flush Wall Mount 5"/8" PVVEX58-300 Roof Mount 5"/8" PVHEX510-300 Wall Mount 5'/10' PVHFL510-300 Flush Wall Mount 5'/10' PVVEX510-300 Roof Mount 5'/10'
B - Frame Kits	EPVRRF (Roof Mount 5"/10") EPVRWF (Wall Mount 5"/10")
C - Flex Sections (5/8 Vent)	PFL1 (12" f/f Section) PFL2 (24" f/f Section) PFL3 (36" f/f Section) PFL4 (48" f/f Section) PFL6 (72" f/f Section)
D - Rigid Sections (5/8 Vent)	PXT - 10 (10" f/f Section) PXT - 20 (20" f/f Section) PEXT - 1 (12" f/m Section) PEXT - 2 (24" f/m Section) PEXT - 3 (36" f/m Section) PEXT - 4 (48" f/m Section) PEXT - 6 (72" f/m Section)
E - Elbows (5/8 Vent)	PEL-90MM (m/m 90° Elbow) PEL-90FF (f/f 90° Elbow) PEL-90FM (f/m 90° Elbow) PEL-45FM (f/m 45° Elbow)
F - Support Ring & Plate	PSPXT-8 (5/8 venting) RSPXT-10 (5/10 venting)
G - Firestop	FS-8 (5/8 venting) FS-10 (5/10 venting)
H - Heat Shield	RHS101 (5"/8") RHS102 (5"/10")

IMPORTANT:

Please refer to your Building Envelope Engineer or Waterproofing Consultant for a review of ALL penetrations through exterior walls or the roof.

Notes For Planning Venting

- RP-Series fireplaces are Power Vent Designated and use Montigo's 5/8 vent pipes.
- Venting originates from the top or rear of the unit.
- Venting can terminate through the roof or exterior wall.
- Once the termination location has been established refer to the appropriate section for installation details.
- All fireplaces are shipped Top Vent from the factory.
- Follow the chart on page 20 for maximum vent run and maximum elbows.

Connection and installation of the vent components should adhere to the following guidelines:

- Use any combination of rigid and flex pipe as required and in any orientation (Male connectors can face in any direction).
- Flex sections may be stretched up to 50% of their total length (e.g. a 24" section maybe stretched to 36").
- Ensure the pipe ends male to female slide in a minimum of 1½" of overlap.
- Connect all vent sections using a minimum of three sheet metal screws on the outer pipe flue.
- Ensure all runs are supported with a minimum of 3 supports per 10' of venting.
- When hanging/ supporting venting, ensure that 1" clearance is maintained on sides and bottom of vent runs and 2" above horizontal vent runs to any combustible material.
- Rigid pipe may be cut less than half way from the **FEMALE END ONLY**.
- Ensure when cutting sections of rigid pipe to maintain integrity of internal supports.
- Place the springs, supplied with the pipe kit, between the outer and inner pipes to keep the pipes separate and avoid any possible hot spots.
- Montigo recommends the use of a flex section for the final pipe connected directly to the fireplace offering greater flexibility of installation and absorption of movement.
- Firestops must be installed as required by National & local codes.
- When passing vent pipe through a wall use a heat shield.
- Montigo recommends that all exterior corners and joints be sealed with exterior caulking. However, we encourage you to consult your Building Envelope Engineer or Waterproofing Consultant for further recommendations.

Section 3-3-3: Heat Shields

Installing a Wall Mounted RHS101 Heat shield (5"/8")

The RHS101 Heat shield must be used if vent pipe passes through a wall or ceiling within 6' of the unit.

To install the RHS101, Slide the Inner Section over the vent pipe that will connect to the fireplace. Then fasten the vent pipe to the back of the fireplace with a minimum of three sheet metal screws. From the outside slide the RHS101 outer section on. To complete the installation fasten the Heat Shield Outer Section & inner section to the structure. See Figure 7.

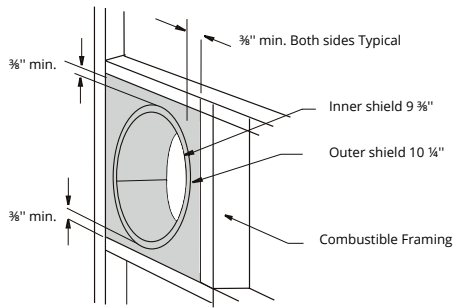


Figure 7. RHS101 Installation. (Install by sliding over vent pipe where it passes through the combustible construction).

Installing a Wall Mounted RHS102 Heat shield (5"/10")

The RHS102 Heat shield must be used if vent pipe passes through a wall or ceiling within 6' of the unit.

To install the RHS102, Slide the Inner Section over the vent pipe that will connect to the fireplace. Then fasten the vent pipe to the back of the fireplace with a minimum of three sheet metal screws. From the outside slide the RHS102 outer section on. To complete the installation fasten the Heat Shield Outer Section & inner section to the structure. See Figure 7.b

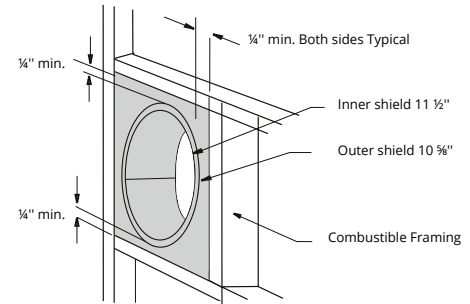


Figure 7.b RHS102 Installation. (Install by sliding over vent pipe where it passes through the combustible construction).

Section 4: Wiring

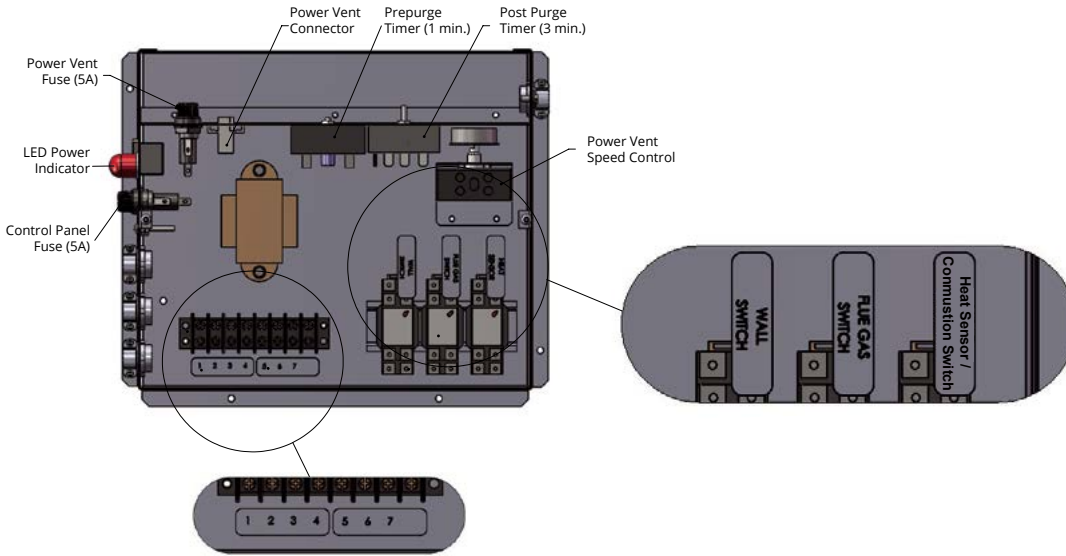


Figure 8. (Control Panel Overview)

Installing the Fireplace Control Box

Install the Fireplace Control Box in an accessible location. The location should be where maintenance, adjustments and service may be made easily.

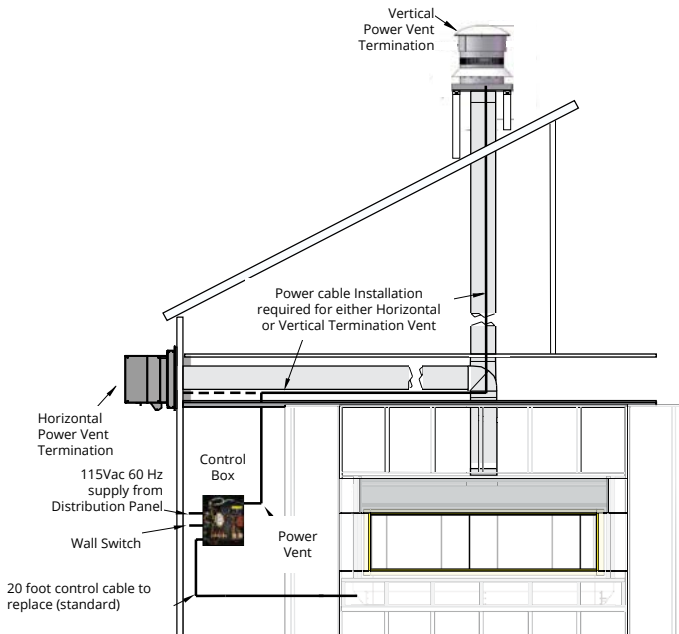


Figure 8.b Control Box / Power Vent Wire Routing Diagram

Installing the Wall Switch

The unit may be connected to a wall switch. The system operates on a 24V AC. DO NOT connect this circuit to an external power source

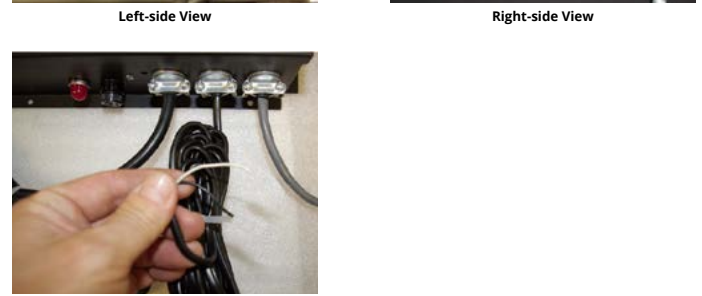
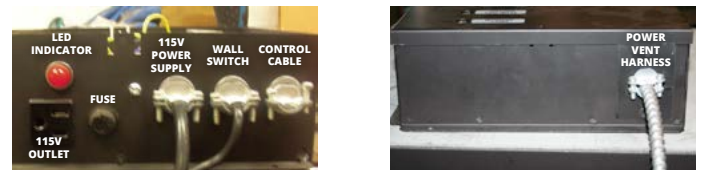


Figure 8.c (Wall Switch Wire connection)

⚠ CAUTION

Ensure the wires are properly isolated from metal parts or control system will be damaged

Electrical control panel

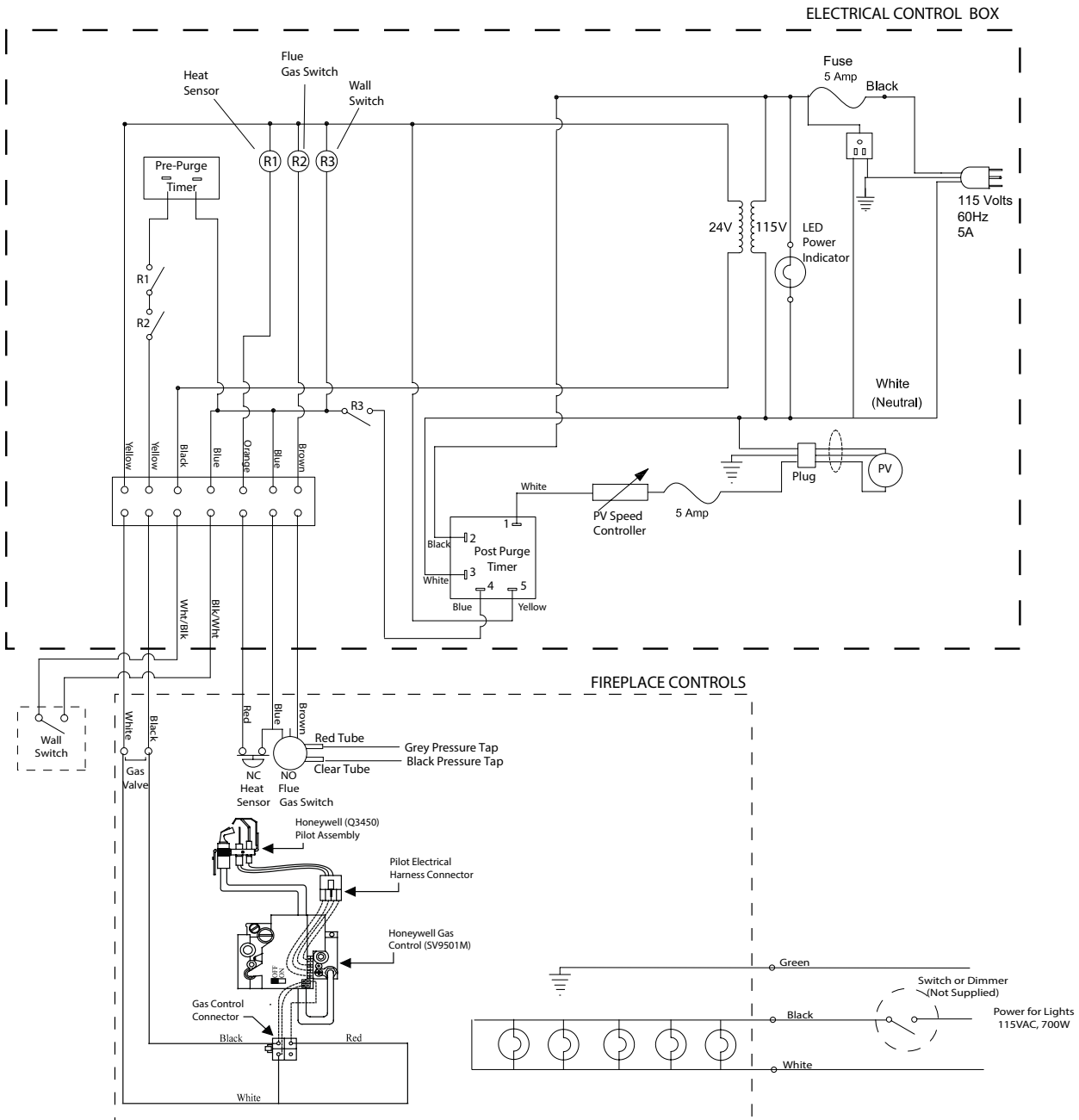


Figure 8.d Electrical control panel

Section 5: Installing the gas line

Gas Pressure

- Optimum appliance performance requires proper input pressures.
- Gas line sizing requirements will be determined in ANSI Z221.3 National Fuel Gas Code in the USA and CAN/CGA B149 in Canada.

Pressure requirements (during operation):

PRESSURE REQUIREMENTS		
Gas Pressure	Natural Gas	Propane
Minimum inlet pressure	14in. w.c.	14in. w.c.
Minimum Inlet Pressure (with fireplace on)	5.5in. w.c.	11in. w.c.
Manifold pressure	3.5in. w.c. +/-2	10in. w.c. +/-0.3

Figure 9. Pressure Requirements

- The manifold outlet pressure is set from the factory to the appropriate pressure but should be verified.
- To check pressures, control valves have a provision to remove a 1/8" M.P.T. plug to be fitted with a hose barb.
- Montigo requires a service shut off valve be located in an accessible location to isolate the gas supply.
- Only install gas shut-off valves approved for use by the state, province, or other governing body in which the fireplace is being installed.

Section 5-3: GAS CONNECTION

- See Figure 9.b for location of gas line access.
- Flexible gas connectors must not exceed 3 feet in length, unless allowable within local regulations.
- Connect incoming gas line to the 1/2" MPT gas inlet.
- Purge all air out of gas line before connecting port.
- Check appliance connection, valve and valve train under normal operating pressure with a commercially available leak check solution

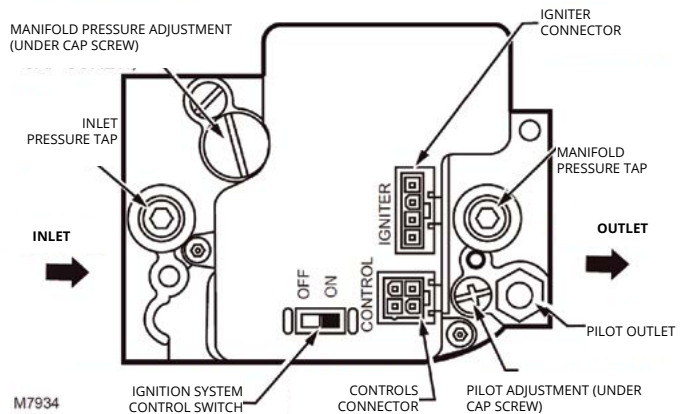
DO NOT USE A FLAME OF ANY KIND TO TEST FOR LEAKS.



Figure 9.b Pressure testing



Figure 9.b.b Identifying the Gas Inlet



⚠ DANGER

After gas line is connected, each appliance connection, valve and valve train **MUST** be checked while under normal operating pressure with either a Liquid Solution, or Leak Detection Device, to locate any source of leak. Tighten any areas where bubbling appears or a leak is detected until bubbling stops completely or leak is no longer detected. **DO NOT** use a flame of any kind to test for leaks. A fire or explosion will occur, causing serious injury, property damage or death.

NOTICE

When pressure testing the fireplace, gas line, and input system follow the appropriate local codes for your area. **DO NOT** connect the fireplace to pressures in excess of 1/2lb. This will damage the gas control valve.

Section 6: Testing the system

The RP620* Control and Power Vent System can be safely tested prior to finishing the fireplace enclosure. This test can be done quickly and efficiently to ensure all systems function according to the design specifications.

- Connect two 1/8" MPT hose barb fittings to the gas valve inlet and outlet ports, as shown in figure 14. Connect a 0-16" W.C. manometer to each fitting.
- Turn on the gas supply to the appliance.
- Wait 3 minutes and check for any gas leaks. If you smell or detect a gas leak, turn the gas supply off and take corrective actions.
- Turn supply power on.
- The LED power indicator will be illuminated.
- Install the inner window, light tray glass, and outer window (see appropriate sections).
- Place the appliance in operation See the lighting instructions on page 37.
- Once the appliance is operational, confirm the manifold pressure and supply pressure are within the specified limits, see section 5.
- Turn lights on and confirm all lights are working.



Figure 9.c LED Indicators

Section 7: Finishing the fireplace

Mantels and surrounds

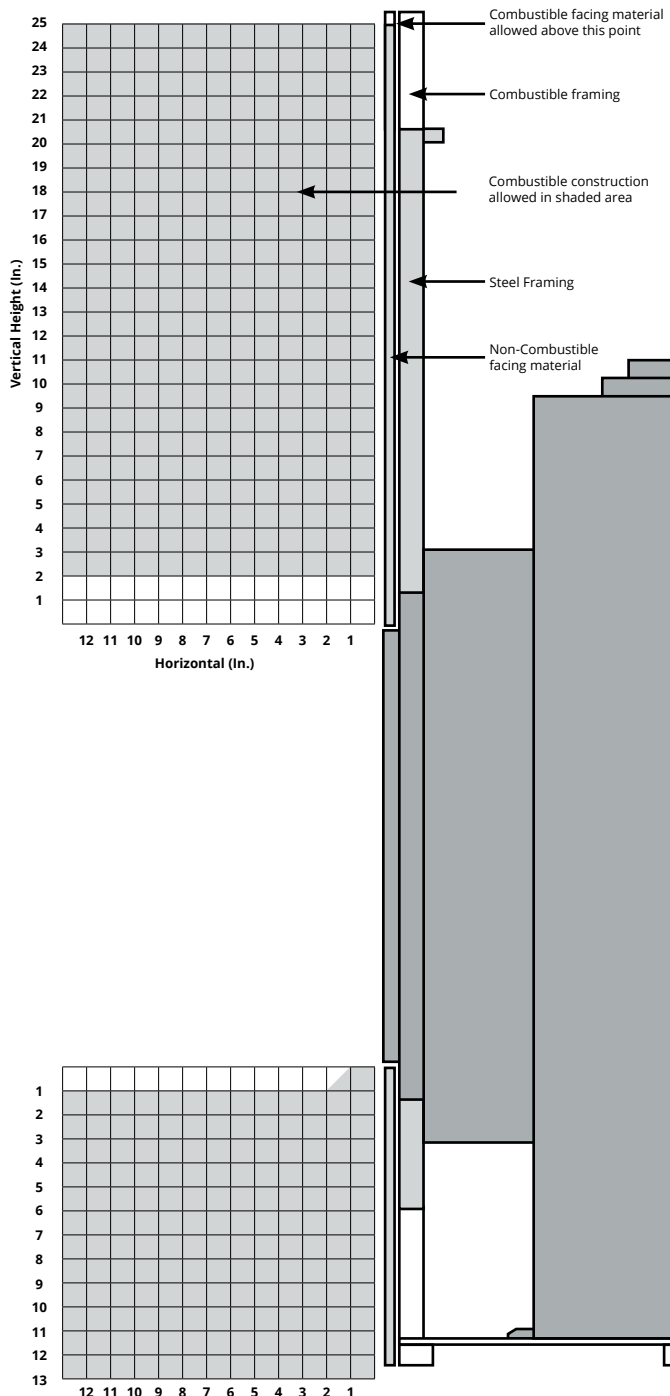


Figure 10.c Combustible mantels and facings. (Not to scale)

Finishing Around the Fireplace

NOTE: National Canadian Gas Association mantel test requirements are for fire hazard prevention to combustible materials.

New technology, to meet consumer and government demands for the wise use of energy, has prompted us to manufacture many models of fireplaces which are hot, fuel and energy efficient.

Please be aware; temperatures over the mantel will rise above normal room temperature and walls above fireplace may be hot to touch.

We recommend careful consideration be given to the effects of elevated mantel temperatures which may be in excess of product design, for example: candles, plastic or pictures. This can cause melting, deformation, discoloration or premature failure of T.V. and radio components.

Side wall clearances are 6". Combustible surrounds may be installed with 6" clearance to the side of the fireplace as shown in Figure 10.d

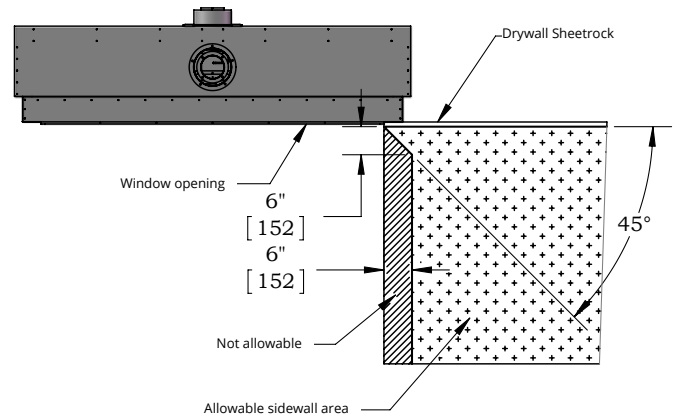
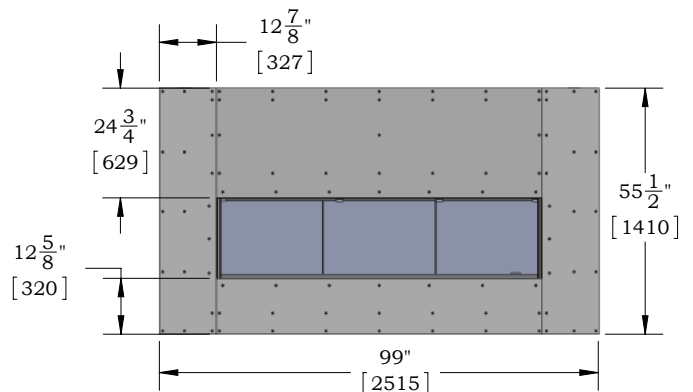


Figure 10.d Combustible surrounds.



Section 8: Removing & Installing Screen and Window

Removing the Screen

There are two tabs located at either end of the screen bottom. By grasping these tabs lift the screen upward into the upper track. Once the screen has cleared the boom track, pull the bottom of the screen away and downwards from the unit to remove the screen from the upper track.



Figure 11. Screen Removal.

NOTICE

Any safety screen, guard, or barrier removed for servicing an appliance, must be replaced prior to operating the appliance

Removing the Outer window

Step 1: Grasp the trim on either side of the door with the tips of your fingers. (Both sides Typ.) Pull firmly to remove the trim from the fireplace.

Step 2: Then, pull the trim from the top of the door, as shown.



Figure 11.b Glass lifting tool

Step 2: Lift out Window

Hold the Tools firmly and lift the glass panel up and out of the lower track (Into the upper track). Tilt the lower edge of the glass panel outwards.



Figure 11.c Window Removal (using glass lifting tools).

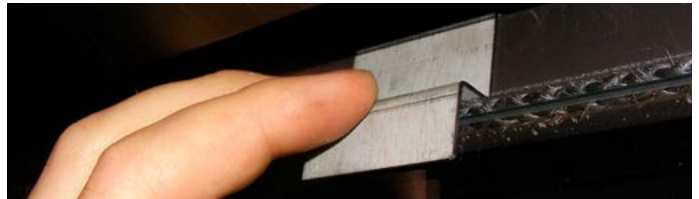
Ensure the top edge of the glass panel is fully removed from the upper outer track. Then tilt and lift away cautiously from the fireplace. Store in a safe location.

Step 3: Lift out inner window retainers

Attach suction cups on the inner glass door. Remove the four inner glass retainers at the top of the glass, see figure for glass retainer placement.

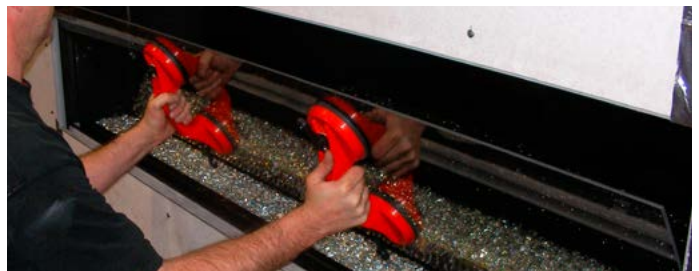


Caution: keep at least one hand on suction cup attached to the inner glass when removing the last glass retainer.



Step 4: Lift out inner window

Lean the inner glass door towards you from the top of the glass. Lift inner glass door up and out. Be careful not to impact the glass door against metal as it could cause the glass to chip.



Section 9: Installing the Accessories

Installing the Firestones or optional Fireglass

The unit is supplied with firestones. Optional fireglass may be purchased from the dealer. Remove the Door as shown in the previous Instruction. Once the glass door is removed place the firestones randomly across the pan and the burners as described in Figure 11.d to 11.e

Note: Only cover the burner with one layer of firestones or fireglass.



Figure 11.d spreading out firestones



Figure 11.e Completed firestone installation

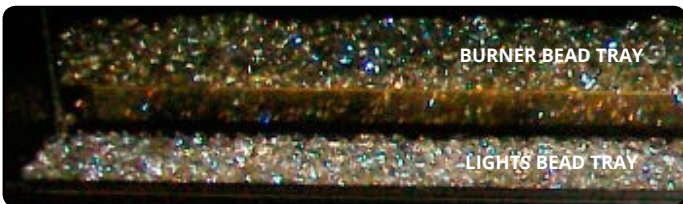


Figure 11.ee Completed firestone installation

Installing Optional Speckled Stones

Once the glass door has been removed as shown in the previous section, place the speckled stones evenly across the pan and burner. Ensure stones do not overlap too much as this will effect the flame pattern, see figure 11.f DO NOT cover the pilot with stones.



Figure 11.f Completed Speckled Stone installation

Installing Optional River Rocks

The R Series has the option of installing the cultured rocks which mimic real stone. These may be spaced at random, or in a visual pattern of your preference. See the Montigo web site for photographs and ideas.

⚠ WARNING

This appliance is intended for use only with the included Montigo burners and accessories. Never install or add any additional or alternative media, rock wool or other material in this appliance. The use of additional or alternative materials may pose potential safety hazards, damage to the appliance, and void manufacturer's warranty.

Optional Log Set

Log Kit Installation Natural Gas

Log kits used to create sequence shown: 2 LGS58, 1 LGS57, 1LGS59



Figure 12. LGS57

STEP 1: Place logs A and B from set LGS57 evenly spaced apart behind the burner. The log placed on the right should be orientated 180° compared to the left log.

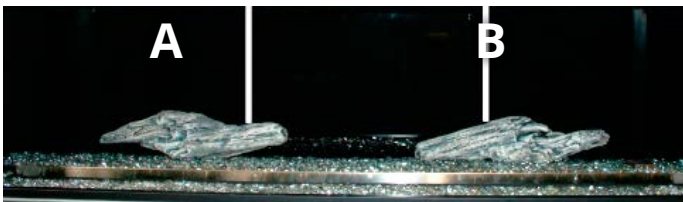


Figure 12.b



Figure 12.c. LGS58

STEP 2: Place Log 1 behind the burner port next to the right log of LGS57. Place log 2 on top of log 1



Figure 12.d

STEP 3: Place log 1 from the second LGS58 kit in front of the ports left of the log from LGS57.

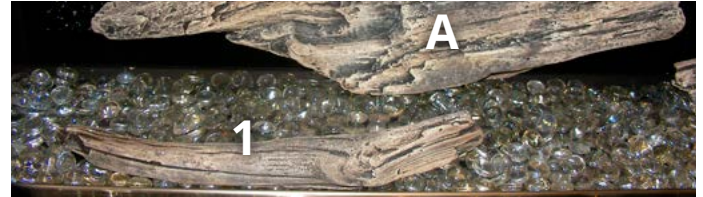


Figure 12.e

STEP 4: Take log 3 from each LGS58. place one in front of the ports near the middle of the appliance, see figure 12f. Place the other in front of the ports and pilot, see figure 12ff.

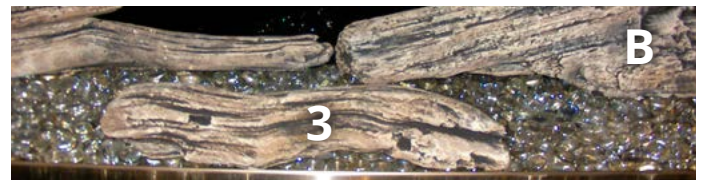


Figure 12.f

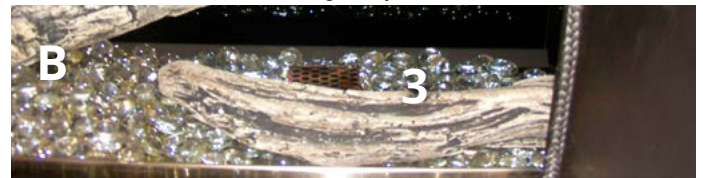


Figure 12.ff

STEP 5: From LGS58, place log 4 on the left side of the left log from LGS57. Cross log 4 over the ports. Place log 5 on the right side of the left log from LGS57. Cross log 5 over the ports. See figure 12g.



Figure 12.g

STEP 6: From LGS58, Place log 4 on the right log from LGS57. Cross log 4 over the ports. Place log 2 on the right end of the right log from LGS57, See Figure 12h.



Figure 12.h

STEP 7: From LGS58, Place log 5 on top of the end of the right log from LGS57 and cross the burner to log 3, place log 6 on top of the end of log 2 and cross the burner to log 3 see figure 12j.



Figure 12.j

STEP 8: Place log 6 from LGS58 on top of log 1 near the middle of the burner. Cross log 6 on top of the first log 6 installed in step 5. See figure 12k.

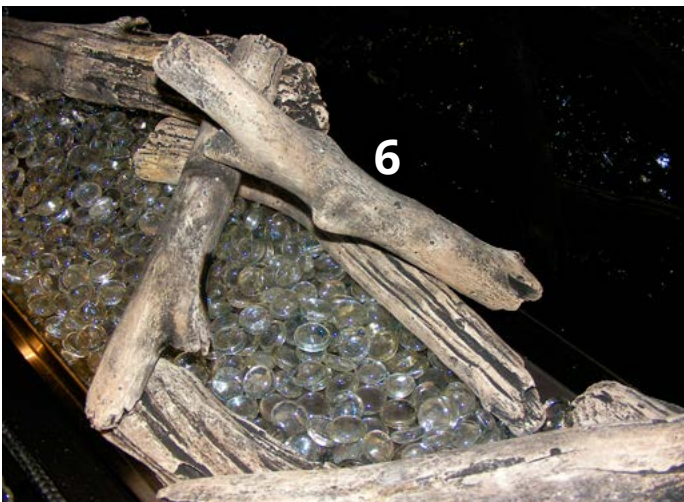


Figure 12.k

STEP 9: Place the logs from LGS59 in any configuration you find pleasing over top of the light tray. Be sure to install the inner glass first.

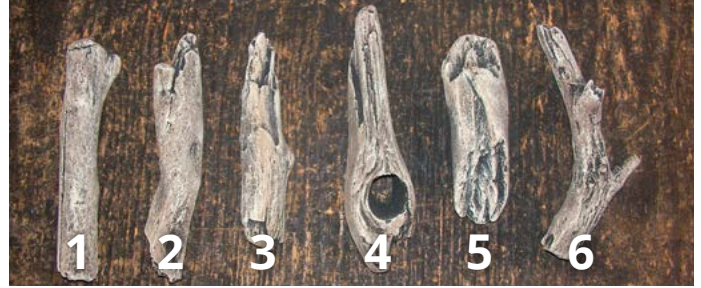


Figure 12.l



Figure 12.i

Optional Log Set

Log Kit Installation Propane

Log kits used to create sequence shown: 1 LGS58, 1 LGS57, 1LGS59



Figure 12. LGS57

STEP 1: Place logs A and B from set LGS57 evenly spaced apart behind the burner. The log placed on the right should be orientated 180° compared to the left log.

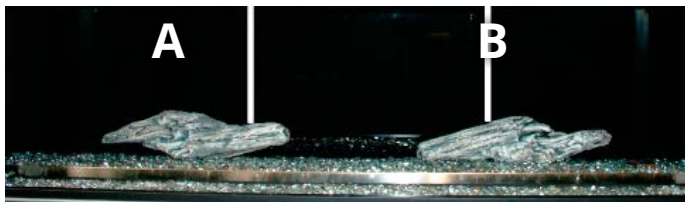


Figure 12.b



Figure 12.c. LGS58

STEP 2: Place Log 5 on the left end of the left log from LGS57. Keep log 5 away from the ports, See figure 12d for placement.



Figure 12.d

STEP 3: From LGS58, place log 3 in front of the ports and pilot. Place log 2 on the right end of B from LGS57.

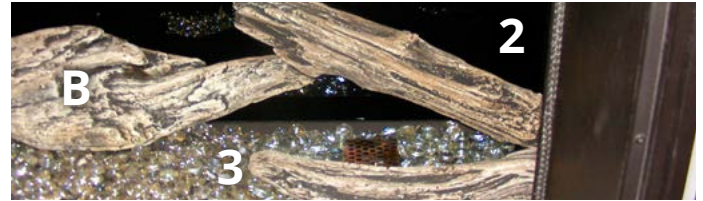


Figure 12.e

STEP 4: From LGS58 place log 1 behind the ports in the middle of the burner, see figure 25h. Place log 4 on top of the right end of A from LGS57 and on top of log 1, see figure 12f.



Figure 12.f

STEP 5: From LGS59, place log 1 on top of log 3 from LGS58 crossing over the end of the pilot cover. DO NOT place the log on the surface of the pilot cover, see figure 12g.



Figure 12.g



Figure 12.g

STEP 7: LGS59, place log 4 in front of the ports, in front of B from LGS57. See figure 12j. Place log 6 across the burner tray after the end of the ports.

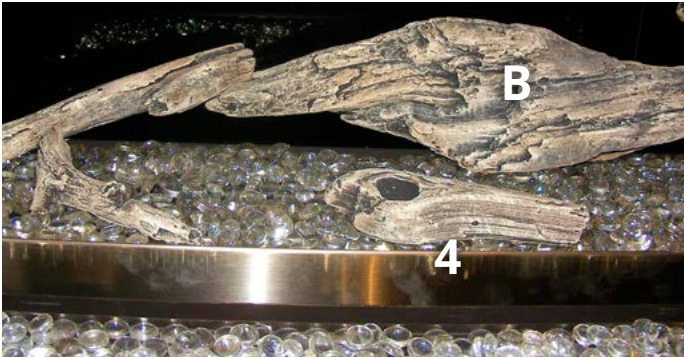


Figure 12.j

STEP 8: From LGS59, place log 2 in front of the ports near the middle of the burner, in front of the right log from LGS57. Place log 3 on top of log 2, see figure 12k.




Figure 12.k


STEP 8: From LGS59, place log 5 in front of the ports near the middle of the burner, in front of the left log from LGS57. Place log 6 from LGS58 on top of log 5, keeping it in front of the ports.



Figure 12.k

FOR YOUR SAFETY - READ BEFORE LIGHTING :


DANGER



HOT GLASS WILL CAUSE BURNS.

DO NOT TOUCH GLASS UNTIL COOLED.

NEVER ALLOW CHILDREN TO TOUCH GLASS.

A barrier designed to reduce the risk of burns from the hot viewing glass is provided with this appliance and shall be installed for the protection of children and other at-risk individuals.

WARNING If the information in these instructions are not followed exactly, a fire or explosion may result causing property damage, personal injury or death.

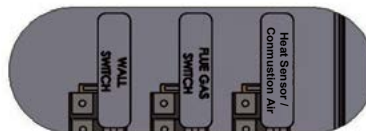
WARNING / CAUTION: Hot while in operation. Do not touch. Severe burns may result. Keep children, clothing, furniture, gasoline and other liquids having flammable vapors away.

See installation and operating instructions accompanying this appliance.

- | | |
|---|--|
| <p>A. This appliance has a pilot which is lit automatically. Do not attempt to light the pilot by hand.</p> <p>B. BEFORE LIGHTING smell all around the appliance area for gas. Be sure to smell next to the floor because some gas is heavier than air and will settle on the floor.</p> <p>What To Do If You Smell Gas:</p> <ul style="list-style-type: none"> ■ Do not try to light the appliance. ■ Do not touch any electrical switch. Do not use any phone in your building. ■ Immediately call your gas supplier from a neighbour's phone. Follow the gas suppliers instructions. | <ul style="list-style-type: none"> ■ If you cannot reach your gas supplier, call the Fire Department. <p>C. Use only your hand to push in or turn the gas control knob. Never use tools. If the knob will not push in or turn by hand, don't try to repair it. Call a qualified service technician. Force or attempt to repair may result in a fire or explosion.</p> <p>D. Do not use this appliance if any part has been under water. Immediately call a qualified service technician to inspect the appliance and to replace any part of the control system, and any gas control which has been under water.</p> |
|---|--|

LIGHTING INSTRUCTIONS:

1. **STOP!** Read the safety information above on this label.
 2. Turn the fireplace "OFF" using the wall switch or remote control.
 3. Wait 5 minutes to clear out any gas. If you smell gas, **STOP!** Follow "B" in the safety information above on this label. If you don't smell gas, go to the next step.
 4. Turn the fireplace "ON" using the wall switch or remote control.
- NOTE:** This unit is equipped with an ignition system that lights the pilot burner automatically. Do not attempt to light the pilot by hand.
- This unit is equipped with advanced safety controls including pre and post purge timers. The fireplace will not turn on until all of the safety conditions are met. The fans in the fireplace may operate for an extended period of time even after the wall switch is turned off.
5. The wall switch LED and heat sensor/combustion air LED will light up.
 6. Once the predetermined airflow is established in the firebox, the flue gas switch LED will light up after 30 seconds.
 7. After approximately 1 minute the hot surface igniter will start to glow. The pilot will light up, followed by the main burner. The fireplace will then start up.
- NOTE:** If the igniter does not glow, even after 3 minutes have passed, follow the instructions "To Turn Off Gas To Appliance" and call your service technician or Montigo dealer.



Control box LED lights

TO TURN OFF GAS TO APPLIANCE:

1. Turn the fireplace off using the wall switch or remote control.
2. Turn off all electrical power to the appliance.
3. Locate the gas shut off valve for the appliance and turn off.

P/N LB1174-12614

Section 10: Cleaning and Maintenance

General

- Have the fireplace and installation inspected yearly. The inspection must include, but is not limited to, the following:
 - A visual check of the entire vent system and termination.
 - An inspection of the door gaskets to ensure a proper seal.
 - An inspection of the burner, vent run, and primary air openings.
 - An inspection of the gas valve, gas components, and pilot flame.

Cleaning

When the fireplace is first activated, there may be some smoke and a visible film may be left on the glass. This is a normal condition, and is the result of burning of protective coatings on new metal.

- Glass must be cleaned periodically to remove any film (which is a normal by-product of combustion) which may be visible. Film can easily be removed by removing the door. Handle the door carefully, and clean it with non-abrasive, non-ammonia based glass cleaners. One of the most effective products is Kel-Kem.
- During the initial firing, Silicone seals will "off gas", leaving a visual deposit of a white substance on combustion chamber walls. This can easily be removed using normal household products.
- Use a vacuum cleaner or whisk broom to keep the control compartment, burner, and firebox free from dust and lint.

NOTICE

Do not use ammonia or abrasive cleaners on the glass, they will permanently etch the surface. Use an approved gas fireplace cleaner such as Kel-Kem or White off.

Procedure for Checking Calibration of Flue Gas Switch

1. Remove the safety screen and outer glass, see appropriate sections.
2. Disconnect the power vent harness from the plug in the control box.
3. Turn wall switch to 'ON' position.
4. Monitor the flue gas LED indicator for 2 minutes and ensure that neither the LED indicator nor the ignitor illuminate. If LED indicator or ignitor illuminates the flue gas switch is not functioning properly. Disconnect the power to the unit, contact your technical support representative.
5. Using a heat gun, warm up the heat sensor located between two glass panels until heat sensor LED turns off.
6. Confirm LED resets within 10 minutes.
7. Reconnect power vent wire harness and reinstall the outer glass panel and safety screen.



Figure 14. Thermal switch location

Annual inspection list for determining safe operation of a direct vent decorative gas appliance

- 1) Inspect and operate the pressure relief mechanism to verify relief mechanisms are free from obstruction to operate.
- 2) Clean glass window with a suitable fireplace glass cleaner. Abrasive cleaners must not be used. Be careful not to scratch the glass when cleaning.
- 3) inspect the operation of the flame safety system Pilot or Flame rectification device.
- 4) Inspect and ensure the lighting of the main burner occurs within 4 seconds of the main gas valve opening. Visual inspection should match that outlined in the appliance instruction manual. Inspect primary air openings for blockage.
- 5) Inspect condition of vent and vent terminal for sooting or obstruction and correct if present.
- 6) Vacuum and clean any debris in the firebox that is not supposed to be there.
- 7) Test and measure the flame failure response time of the flame safety system. It must de-energize the safety shutoff in no more than 30 seconds.
- 8) Check all accessible gas-carrying tubes, connections, pipes and other components for leaks.

Replacing Light Bulbs

The RP620* light bulbs can be replaced in a few simple steps. Begin by disconnecting the power to the fireplace. Follow the directions for removing the screen and outer glass on page 30. Once the screen and outer glass have been successfully removed, proceed with figures 15 - 15b.

Note: Always wear gloves when handling the fireplace light bulbs or glass panels.

STEP 1: Remove any decorative media and up-lighting glass from the light kit tray.

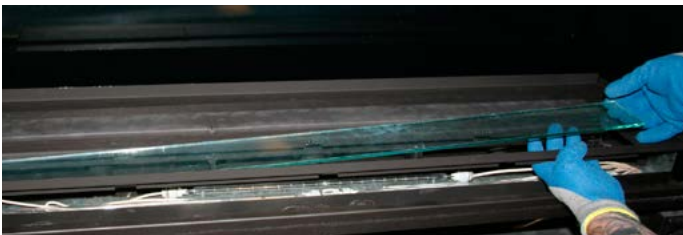


Figure 15.

STEP 2: To remove a light bulb, pull the light bulb away from the light bulb connector and lift the light bulb up and out.



Figure 15.a

STEP 4: Rotate the newly replaced light bulb in a full circle.



Figure 15.b

STEP 5: Replace up-lighting glass in the burner tray.

Servicing the Burner

STEP 1: Remove media, Lift one end of the rail up above the firebox ceiling baffle. Pull the other end out the front of the fireplace.



Figure 16.

STEP 2: Remove 4 screws and then remove gas connection cover.



Figure 16.a



Figure 16.b

STEP 3: Disconnect the flexible gas connection line. After removing the appropriate fasteners, remove burner assembly.



Figure 16.c



Figure 16.d

STEP 4: After removing the appropriate fasteners, remove the burner assembly. Remove the valve cover to access to valves.



Figure 16.e



Figure 16.f

Replacement Parts

Replacement Parts - Honeywell HSI

Part	RP620
NG Gas Valve	RGC1004
Propane Gas Valve	RGC3045
NG Pilot Assembly	RPA003
Propane Pilot Assembly	RPA004
Power Vent Control Box	RESCB2
Outer Glass	RDTRP620
Inner Glass	RGL4000
Inner Door Clips	RIGC-RP620
Replacement Screen	RSCR620
Fuse, AGC-5Amp	REC1122
Porcelain Panel Set	RPPRP620 (3 panels)
NG Driftwood Log Set	LGRP6N

Appendix A: Power Vent Locations

PVEX510-300 Vertical Power Vent Detail

For installation instructions on this termination see instruction guide for the PVEX510-300.

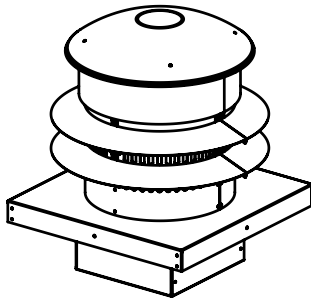


Figure 15. PVEX510-300

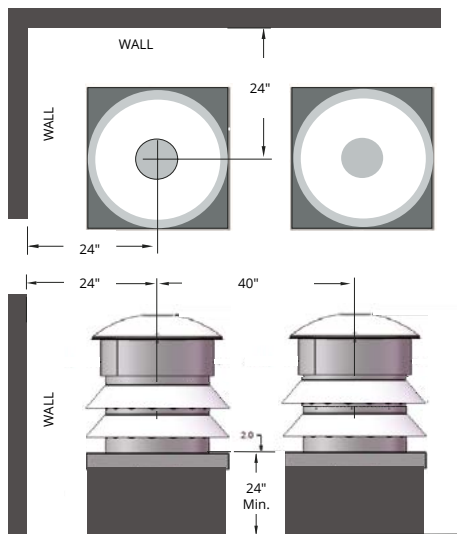


Figure 15.b PVEX510-300 clearances

Unacceptable Install

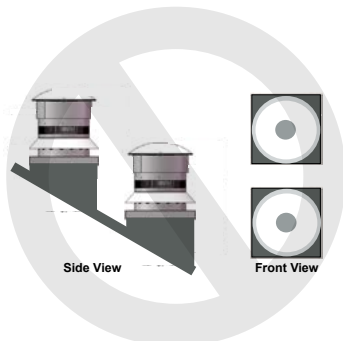


Figure 15.c PVEX510-300 restrictions

PVHIN58-300 Inline Power Vent with TMHIN58-40 Detail

For installation instructions on this power vent and termination see instruction guide for the PVHIN58-300 with TMHIN58-40.

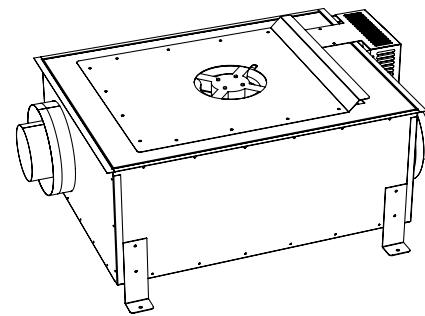
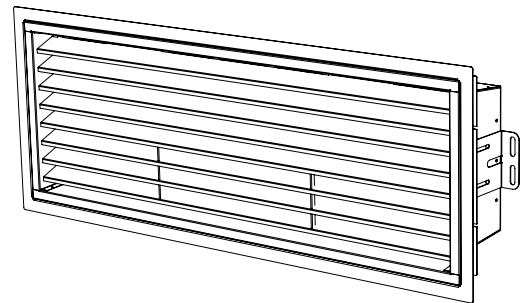


Figure 15.d PVHIN58-300 Inline power vent with TMHIN58-40 Termination (with vanity ring)

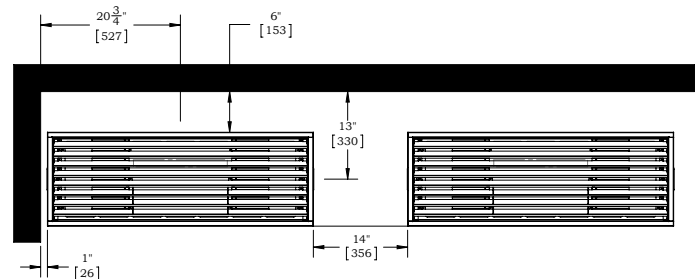
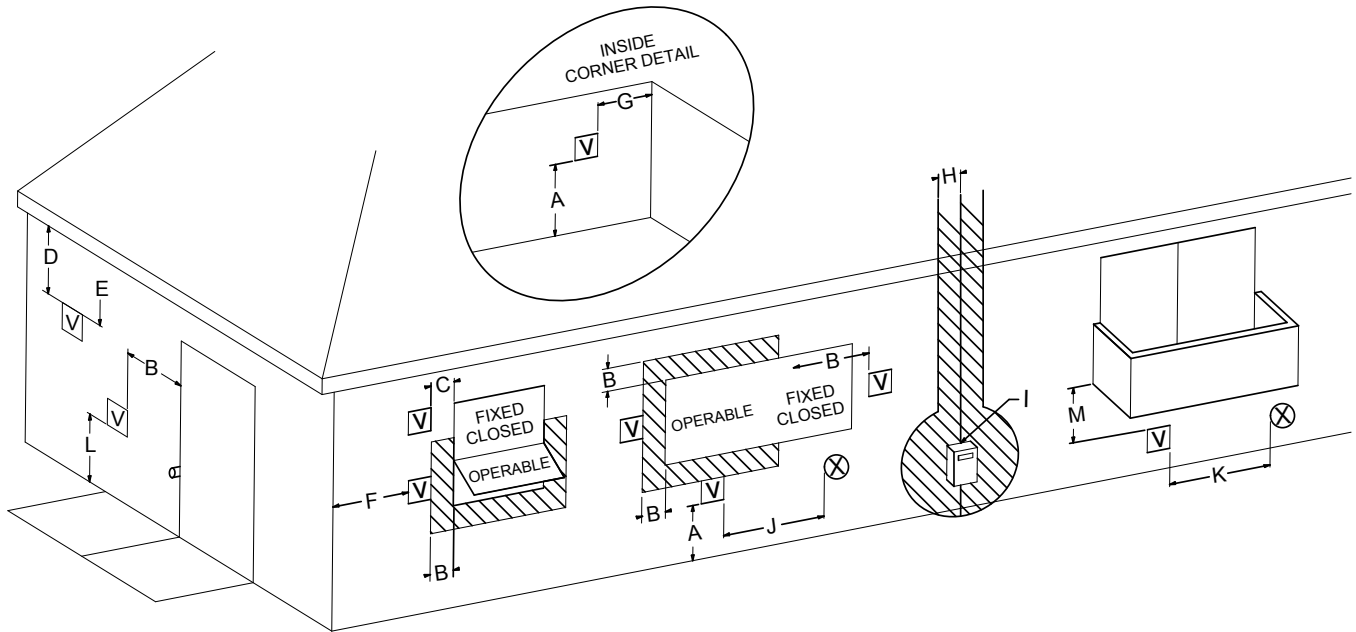


Figure 15.e TMHIN58-40 Termination Clearances (without vanity ring)

NOTE: There is enough clearance in the above clearances drawing to allow for a vanity ring to be added on at a later time.

PVVEX510-300 Power Vent Locations



☐ VENTER TERMINAL

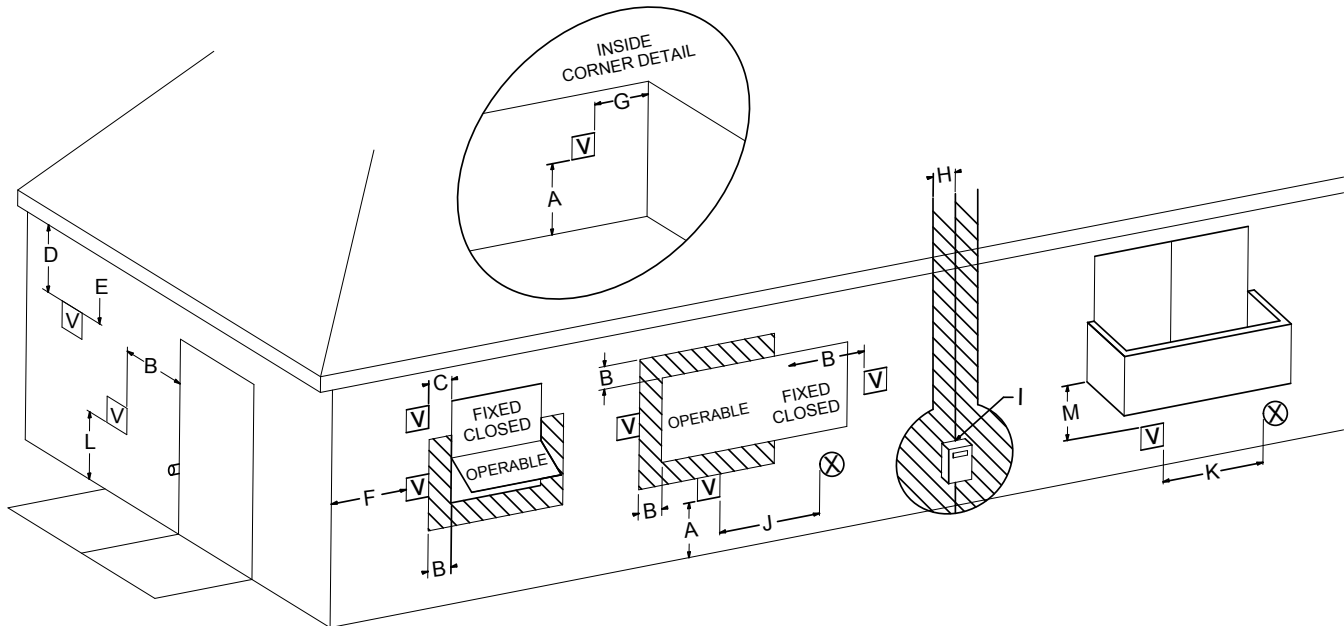
⊗ AIR SUPPLY INLET

▨ AREA WHERE TERMINAL IS NOT PERMITTED

	Canadian Installations ¹	US Installations ²		Canadian Installations ¹	US Installations ²
A= Clearance above grade, veranda, porch, deck, or balcony	12 in (30 cm)	12 in (30 cm)	J= Clearance to nonmechanical air supply inlet to building or the combustion air inlet to any other appliance	6 in (15 cm) for appliances ≤ 10,000 Btuh (3 kW), 12 in (30 cm) for appliances > 10,000 Btuh (3 kW) and ≤ 100,000 Btuh (30 kW)	6 in (15 cm) for appliances ≤ 10,000 Btuh (3 kW), 9 in (23 cm) for appliances > 10,000 Btuh (3 kW) and ≤ 50,000 Btuh (15 kW), 12 in (30 cm) for appliances ≥ 50,000 Btuh (15 kW)
B= Clearance to window or door that may be opened	6 in (15 cm) for appliances ≤ 10,000 Btuh (3 kW), 12 in (30 cm) for appliances > 10,000 Btuh (3 kW) and ≤ 100,000 Btuh (30 kW), 36 in (91 cm) for appliances > 100,000 Btuh (30 kW)	6 in (15 cm) for appliances ≤ 10,000 Btuh (3 kW), 9 in (23 cm) for appliances > 10,000 Btuh (3 kW) and < 50,000 Btuh (15 kW), 12 in (30 cm) for appliances ≥ 50,000 Btuh (15 kW)	K= Clearance to a mechanical air supply inlet	6 ft (1.83 m)	3 ft (91 cm) above if within 10 ft (3 m) horizontally
C= Clearance to permanently closed window	B	B	L= Clearance above paved sidewalk or paved driveway located on public property	7 ft (2.13 m) †	*
D= Vertical clearance to ventilated soffit located above the terminal within a horizontal distance of 2 feet (61 cm) from the center line of the terminal	N/A	N/A	M= Clearance under veranda porch, deck, or balcony	12 in (30 cm) ‡	*
E= Clearance to unventilated soffit	*	*			
F= Clearance to outside corner	*	*			
G= Clearance to inside corner	*	*			
H= Clearance to each side of center line extended above meter/regulator assembly	3 ft (91 cm) within a height 15 ft. (4.5 m) above the meter/regulator assembly	*			
I= Clearance to service regulator vent outlet	3 ft (91 cm)	*			

¹ In accordance with the current CSA B149.1, Natural Gas and Propane Installation Code
² In accordance with the current ANSI Z223.1/NFPA 54, National Fuel Gas Code
 † A vent shall not terminate directly above a sidewalk or paved driveway that is located between two single family dwellings and serves both dwellings.
 ‡ Permitted only if veranda, porch, deck, or balcony is fully open on a minimum of two sides beneath the floor.
 * For clearances not specified in ANSI Z223.1/NFPA or CSA B149.1, one of the following shall be indicated
 a) A minimum clearance value determined by testing in accordance with section 2.23.5, or;
 b) A reference to the following footnote:
 "Clearance in accordance with local installation codes and the requirements of the gas supplier"

PVHIN58-300 Inline Power Vent with TMHIN58-40 Termination Locations



☐ VENTER TERMINAL

⊗ AIR SUPPLY INLET

▨ AREA WHERE TERMINAL IS NOT PERMITTED

	Canadian Installations ¹	US Installations ²
A= Clearance above grade, veranda, porch, deck, or balcony	12 in (30 cm)	12 in (30 cm)
B= Clearance to window or door that may be opened	6 in (15 cm) for appliances ≤ 10,000 Btuh (3 kW), 12 in (30 cm) for appliances > 10,000 Btuh (3 kW) and ≤ 100,000 Btuh (30 kW), 36 in (91 cm) for appliances > 100,000 Btuh (30 kW)	6 in (15 cm) for appliances ≤ 10,000 Btuh (3 kW), 9 in (23 cm) for appliances > 10,000 Btuh (3 kW) and < 50,000 Btuh (15 kW), 12 in (30 cm) for appliances ≥ 50,000 Btuh (15 kW)
C= Clearance to permanently closed window	B	B
D= Vertical clearance to ventilated soffit located above the terminal within a horizontal distance of 2 feet (61 cm) from the center line of the terminal	6 in (38 cm)	6 in (38 cm)
E= Clearance to unventilated soffit	6 in (38 cm)	6 in (38 cm)
F= Clearance to outside corner	* (15 cm)	* (15 cm)
G= Clearance to inside corner	0 in (38 cm)	0 in (38cm)
H= Clearance to each side of center line extended above meter/regulator assembly	3 ft (91 cm) within a height 15 ft. (4.5 m) above the meter/regulator assembly	*
I= Clearance to service regulator vent outlet	3 ft (91 cm)	*

	Canadian Installations ¹	US Installations ²
J= Clearance to nonmechanical air supply inlet to building or the combustion air inlet to any other appliance	6 in (15 cm) for appliances ≤ 10,000 Btuh (3 kW), 12 in (30 cm) for appliances > 10,000 Btuh (3 kW) and ≤ 100,000 Btuh (30 kW), 36 in (91 cm) for appliances > 100,000 Btuh (30 kW)	6 in (15 cm) for appliances ≤ 10,000 Btuh (3 kW), 9 in (23 cm) for appliances > 10,000 Btuh (3 kW) and ≤ 50,000 Btuh (15 kW), 12 in (30 cm) for appliances > 50,000 Btuh (15 kW)
K= Clearance to a mechanical air supply inlet	6 ft (1.83 m)	3 ft (91 cm) above if within 10 ft (3 m) horizontally
L= Clearance above paved sidewalk or paved driveway located on public property	7 ft (2.13 m) †	*
M= Clearance under veranda porch deck, or balcony	12 in (30 cm) ‡	*

¹ In accordance with the current CSA B149.1, Natural Gas and Propane Installation Code
² In accordance with the current ANSI Z223.1/NFPA 54, National Fuel Gas Code
 † A vent shall not terminate directly above a sidewalk or paved driveway that is located between two single family dwellings and serves both dwellings.
 ‡ Permitted only if veranda, porch, deck, or balcony is fully open on a minimum of two sides beneath the floor.
 * For clearances not specified in ANSI Z223.1/NFPA or CSA B149.1, one of the following shall be indicated
 a) A minimum clearance value determined by testing in accordance with section 2.23.5, or;
 b) A reference to the following footnote:
 "Clearance in accordance with local installation codes and the requirements of the gas supplier"

PVHEX510-300 Horizontal Power Vent Detail

For installation instructions on this termination see instruction guide for the PVHEX510-300.

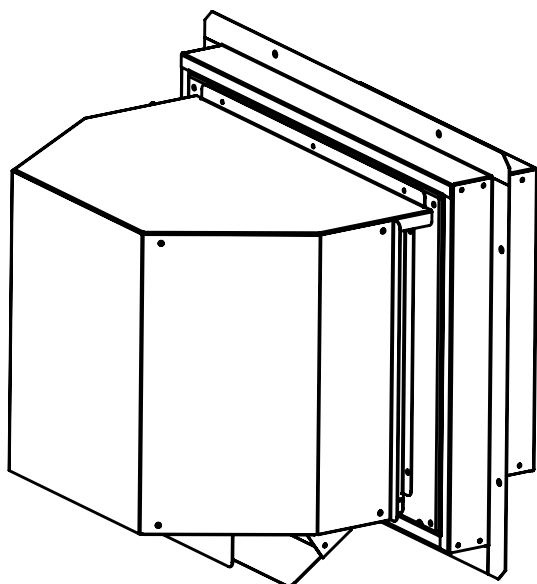


Figure 16. PVHEX510-300

PVHFL510-300 Horizontal Power Vent Detail

For installation instructions on this termination see instruction guide for the PVHFL510-300

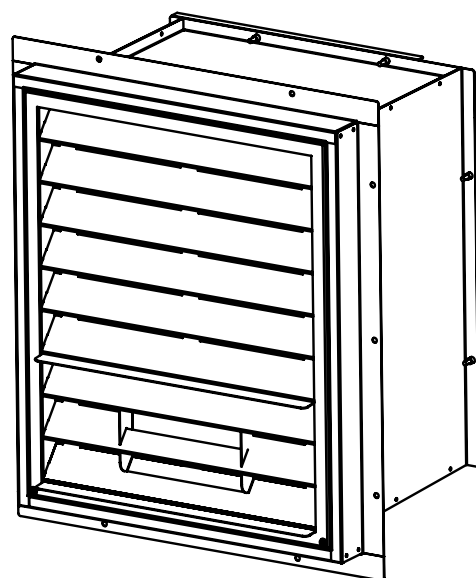


Figure 16.c PVHFL510-300

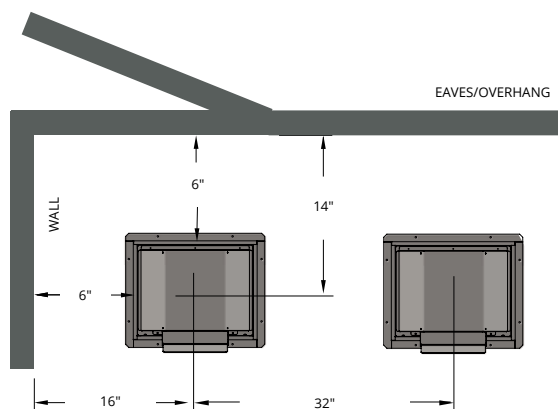


Figure 16.b PVHEX510-300 Termination Clearances

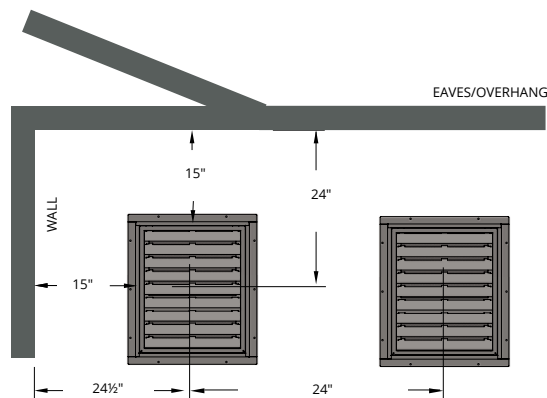
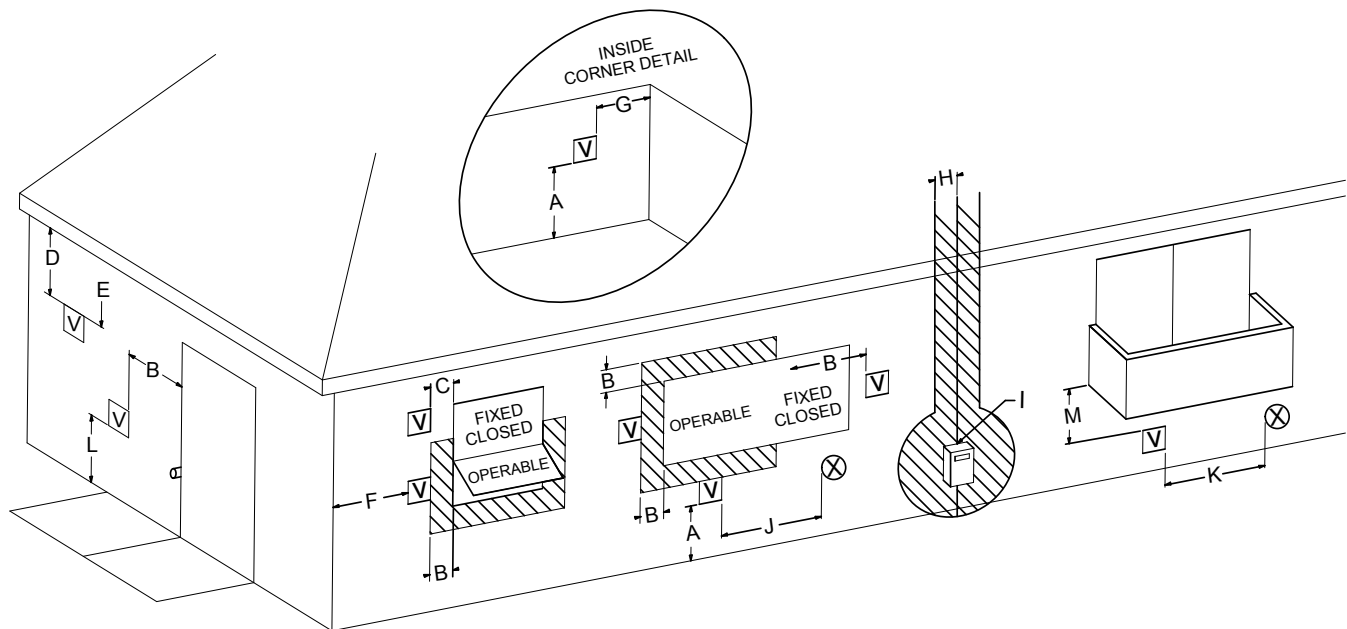


Figure 16.d PVHFL510-300 Termination Clearances

PVHEX510-300 Power Vent Locations



☐ V VENTER TERMINAL

⊗ AIR SUPPLY INLET

▨ AREA WHERE TERMINAL IS NOT PERMITTED

	Canadian Installations ¹	US Installations ²
A= Clearance above grade, veranda, porch, deck, or balcony	12 in (30 cm)	12 in (30 cm)
B= Clearance to window or door that may be opened	6 in (15 cm) for appliances ≤ 10,000 Btuh (3 kW), 12 in (30 cm) for appliances > 10,000 Btuh (3 kW) and ≤ 100,000 Btuh (30 kW), 36 in (91 cm) for appliances > 100,000 Btuh (30 kW)	6 in (15 cm) for appliances ≤ 10,000 Btuh (3 kW), 9 in (23 cm) for appliances > 10,000 Btuh (3 kW) and < 50,000 Btuh (15 kW), 12 in (30 cm) for appliances ≥ 50,000 Btuh (15 kW)
C= Clearance to permanently closed window	B	B
D= Vertical clearance to ventilated soffit located above the terminal within a horizontal distance of 2 feet (61 cm) from the center line of the terminal	6 in (15 cm)	6 in (15 cm)
E= Clearance to unventilated soffit	6 in (15 cm)	6 in (15 cm)
F= Clearance to outside corner	*	*
G= Clearance to inside corner	6 in (15 cm)	6 in (15 cm)
H= Clearance to each side of center line extended above meter/regulator assembly	3 ft (91 cm) within a height 15 ft. (4.5 m) above the meter/regulator assembly	*
I= Clearance to service regulator vent outlet	3 ft (91 cm)	*

	Canadian Installations ¹	US Installations ²
J= Clearance to nonmechanical air supply inlet to building or the combustion air inlet to any other appliance	6 in (15 cm) for appliances ≤ 10,000 Btuh (3 kW), 12 in (30 cm) for appliances > 10,000 Btuh (3 kW) and ≤ 100,000 Btuh (30 kW), 36 in (91 cm) for appliances > 100,000 Btuh (30 kW)	6 in (15 cm) for appliances ≤ 10,000 Btuh (3 kW), 9 in (23 cm) for appliances > 10,000 Btuh (3 kW) and ≤ 50,000 Btuh (15 kW), 12 in (30 cm) for appliances > 50,000 Btuh (15 kW)
K= Clearance to a mechanical air supply inlet	6 ft (1.83 m)	3 ft (91 cm) above if within 10 ft (3 m) horizontally
L= Clearance above paved sidewalk or paved driveway located on public property	7 ft (2.13 m) †	*
M= Clearance under veranda porch deck, or balcony	12 in (30 cm) ‡	*

¹ In accordance with the current CSA B149.1, Natural Gas and Propane Installation Code

² In accordance with the current ANSI Z223.1/NFPA 54, National Fuel Gas Code

† A vent shall not terminate directly above a sidewalk or paved driveway that is located between two single family dwellings and serves both dwellings.

‡ Permitted only if veranda, porch, deck, or balcony is fully open on a minimum of two sides beneath the floor.

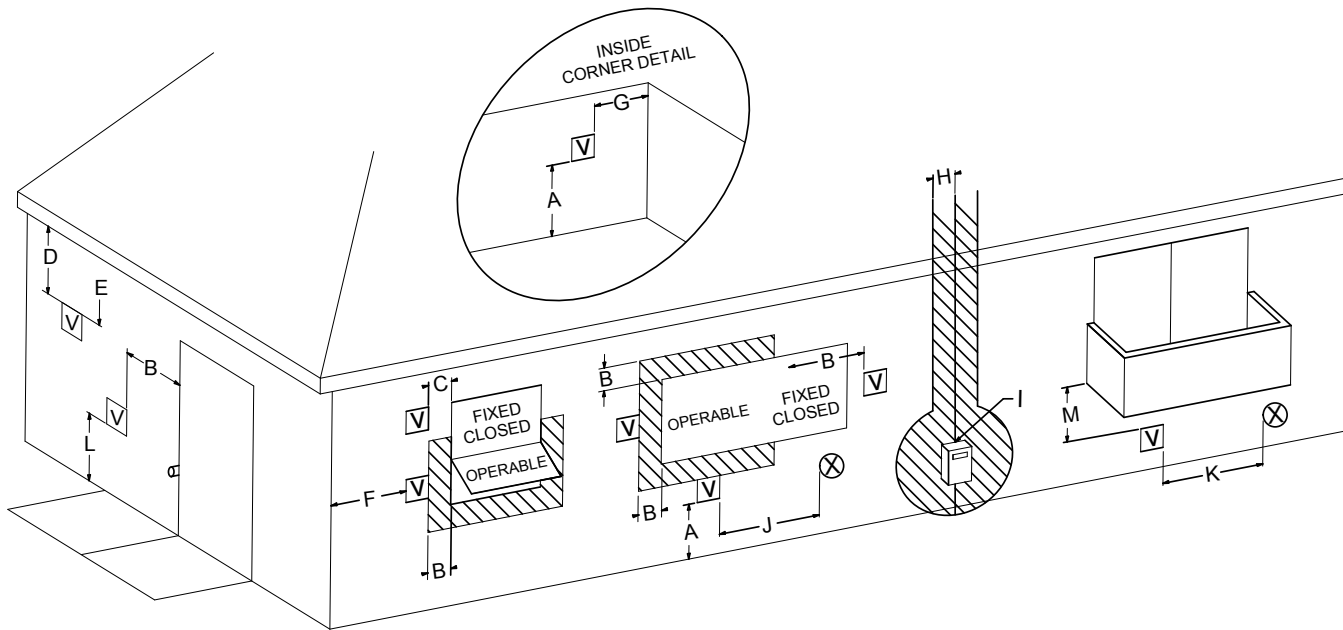
* For clearances not specified in ANSI Z223.1/NFPA or CSA B149.1, one of the following shall be indicated

a) A minimum clearance value determined by testing in accordance with section 2.23.5, or;

b) A reference to the following footnote:

"Clearance in accordance with local installation codes and the requirements of the gas supplier"

PVHFL510-300 Power Vent Locations



V VENTER TERMINAL
 X AIR SUPPLY INLET
 ▨ AREA WHERE TERMINAL IS NOT PERMITTED

	Canadian Installations ¹	US Installations ²
A= Clearance above grade, veranda, porch, deck, or balcony	12 in (30 cm)	12 in (30 cm)
B= Clearance to window or door that may be opened	6 in (15 cm) for appliances ≤ 10,000 Btuh (3 kW), 12 in (30 cm) for appliances > 10,000 Btuh (3 kW) and ≤ 100,000 Btuh (30 kW), 36 in (91 cm) for appliances > 100,000 Btuh (30 kW)	6 in (15 cm) for appliances ≤ 10,000 Btuh (3 kW), 9 in (23 cm) for appliances > 10,000 Btuh (3 kW) and < 50,000 Btuh (15 kW), 12 in (30 cm) for appliances ≥ 50,000 Btuh (15 kW)
C= Clearance to permanently closed window	B	B
D= Vertical clearance to ventilated soffit located above the terminal within a horizontal distance of 2 feet (61 cm) from the center line of the terminal	15 in (38 cm)	15 in (38 cm)
E= Clearance to unventilated soffit	15 in (38 cm)	15 in (38 cm)
F= Clearance to outside corner	*	*
G= Clearance to inside corner	15 in (38 cm)	15 in (38 cm)
H= Clearance to each side of center line extended above meter/regulator assembly	3 ft (91 cm) within a height 15 ft. (4.5 m) above the meter/regulator assembly	*
I= Clearance to service regulator vent outlet	3 ft (91 cm)	*

	Canadian Installations ¹	US Installations ²
J= Clearance to nonmechanical air supply inlet to building or the combustion air inlet to any other appliance	6 in (15 cm) for appliances ≤ 10,000 Btuh (3 kW), 12 in (30 cm) for appliances > 10,000 Btuh (3 kW) and ≤ 100,000 Btuh (30 kW), 36 in (91 cm) for appliances > 100,000 Btuh (30 kW)	6 in (15 cm) for appliances ≤ 10,000 Btuh (3 kW), 9 in (23 cm) for appliances > 10,000 Btuh (3 kW) and ≤ 50,000 Btuh (15 kW), 12 in (30 cm) for appliances > 50,000 Btuh (15 kW)
K= Clearance to a mechanical air supply inlet	6 ft (1.83 m)	3 ft (91 cm) above if within 10 ft (3 m) horizontally
L= Clearance above paved sidewalk or paved driveway located on public property	7 ft (2.13 m) †	*
M= Clearance under veranda porch deck, or balcony	12 in (30 cm) ‡	*

¹ In accordance with the current CSA B149.1, Natural Gas and Propane Installation Code
² In accordance with the current ANSI Z223.1/NFPA 54, National Fuel Gas Code
 † A vent shall not terminate directly above a sidewalk or paved driveway that is located between two single family dwellings and serves both dwellings.
 ‡ Permitted only if veranda, porch, deck, or balcony is fully open on a minimum of two sides beneath the floor.
 * For clearances not specified in ANSI Z223.1/NFPA or CSA B149.1, one of the following shall be indicated
 a) A minimum clearance value determined by testing in accordance with section 2.23.5, or;
 b) A reference to the following footnote:
 "Clearance in accordance with local installation codes and the requirements of the gas supplier"

Appendix B: Warranty

MONTIGO RESIDENTIAL WARRANTY PROGRAM

Canadian Heating Products Inc. and/or Montigo DelRay Corp (collectively referred to herein as "The Companies"), warrants the Montigo gas appliance (referred to herein as 'the appliance') to be free from defects in materials and workmanship at the time of manufacture. The gas appliance and related components are further subject to the terms and conditions set forth below.

This warranty covers the following Montigo product series: Distinction, H, I, L, Linear P and PL, R and Mahana

Component	Coverage Period	Labor Coverage
Firebox, heat exchanger	15 years	1 year
Main burner	15 years	1 year
Gas control valve and related control components (pilot assembly, spark electrode flame sensors, thermopile)	1 year	1 year
Electrical components (internal blowers, ignition control module, wiring, switches, remote control systems, blower control module, accent bulbs)	1 year	1 year
Firebox media (logset, glass beads, river rocks)	1 year	1 year
Glass (thermal breakage)	1 year	1 year
Plated, painted finishes (including interior reflective glass)	1 year	1 year
Refractory lining	1 year	1 year
Mesh/Glass safety barriers	1 year	1 year
Power Vent Control box	1 year	1 year
Montigo Venting (excluding terminations)	15 years	1 year

QUALIFICATIONS TO THE WARRANTY

This Warranty only covers gas appliances installed in the United States or Canada.

To receive the benefits of this warranty, the appliance must be purchased, installed and serviced annually by a dealer authorized by the Companies for the warranty to be valid.

The gas appliance must be installed by a licensed professional in accordance with The Companies' installation instructions and local building codes. The warranty on the appliance covers only components manufactured by The Companies. The use of components manufactured or supplied by other manufactures and used in conjunction with the appliance could create serious safety hazards, may result in the denial of certification by recognized national safety agencies and could violate local building codes. Such use may untimely void this warranty. This warranty does not cover any damages occurring from the use of any components not manufactured or supplied by The Companies.

The appliance must be subjected to normal use. The appliance is designed to burn natural gas (NG) or liquefied petroleum (LP) only. Burning conventional fireplace fuels such as wood, coal or any other solid fuel will cause damage to the appliance, produce excessive temperatures will result in a fire hazard and void all warranties. This warranty is transferable. The appliance must remain in its original place of installation to be valid.

If the components of the appliance covered by this warranty are found to be defective within the time frame stated (see The Companies investigation of claims), the companies will, at its option, replace or repair defective components of the appliance manufactured by the company at no charge and will also pay for labor costs (in accordance with schedule) incurred in replacing or repairing components. If repair or replacement is not commercially practical, the companies will, at its sole discretion, provide a current or most like unit, excluding the cost of labor unless the labor is covered by the terms of the warranty.

This warranty covers only parts and labor as provided above. In no case shall the companies be responsible for materials, components or construction. All replacement or repair components will be shipped F.O.B. from the nearest Company factory.

LIMITATION ON LIABILITY

It is agreed and understood that The Companies sole obligation, and purchaser's exclusive remedy under this warranty, under any other warranty, expressed or implied, or in contract, tort or otherwise, shall be limited to repair or replacement as specified above. The opinion of The Companies with respect to these matters shall be final.

In no event shall The Companies be responsible for any incidental or consequential damages caused by (but not limited to) improper installation, installation by an unqualified or unauthorized installer, accident, lack of regular maintenance, user error, abuse, misuse, Acts of God, power surges, floods, natural disasters, force majeure, defects in its appliance whether such damage occurs or is discovered before or after replacement or repair, and whether or not such damage is caused by The Companies negligence. Some jurisdictions do not allow the exclusion or limitation of incidental or consequential damages, so the above limitation or exclusion may not apply to you. The duration of any implied warranty with respect to the appliance is limited to the duration of the foregoing warranty. Some jurisdictions do not allow limitations on how long an implied warranty lasts, so the above limitation or exclusion may not apply to you.

Appendix B: Warranty Continued

EXCLUSIONS TO WARRANTY

Corrosion or rust of any kind due to a lack of maintenance, inadequate combustion air or improper venting and corrosive chemicals/environments, expansion and contraction of metals or minor movements of components causing noise are not covered by this warranty.

Willful misconduct (i.e. use of the appliance with problems known to the purchaser and causing further damages), including unauthorized or self-performed 'fixing' or exploration of the appliance's internal workings will void the warranty.

Appliances on which the serial number has been altered, defaced, removed or made illegible will void the warranty.

Costs incurred for diagnosis, service work, shipping and handling of defective or replacement parts are not covered under this warranty.

The published warranties are not applicable for any equipment manufactured by The Companies that has been sold direct to the consumer via internet or auction websites. The Companies do not endorse, approve or certify any online sale of its products through auction websites, online retailers or any other method of online sales direct to consumers.

INVESTIGATION OF CLAIMS AGAINST WARRANTY

The Companies reserve the right to investigate any and all claims against this warranty and decide upon method of settlement.

The Companies are not responsible for work done without written consent of The Companies.

The Companies shall in no event be responsible for any warranty work done without first obtaining the Companies written consent.

The Companies employees and dealers have no authority to make any warranties to neither alter this warranty nor authorize any remedies in addition to or inconsistent with those stated within this warranty.

IF WARRANTY SERVICE IS NEEDED

To make a claim under this warranty, contact your installing dealer or contractor. The installing dealer is responsible for providing service and will contact the companies to initiate warranted parts replacements. In the event the installing dealer is unavailable, contact your nearest authorized Montigo dealer (www.Montigo.com) or contact Montigo direct at techsupport@montigo.com. Ensure you have your sales receipt and the model and serial number of your appliance.

DO NOT ATTEMPT TO DO ANY SERVICE WORK YOURSELF

If you cannot locate the installing dealer, or nearest dealer/distributor, you must notify The Companies in writing, colors, styles and products.

USA Offices

6955 Salashan Parkway
Ferndale WA, 98248
techsupport@montigo.com

Canadian Offices

27342 Gloucester Way
Langley, BC V4W 4A1
techsupport@montigo.com

The terms and conditions of this warranty may be altered or amended from time to time without prior notice.

WARRANTY PERIOD: Warranty coverage begins on the date of original purchase. In the case of new construction, warranty coverage begins on the date of first occupancy of the dwelling or six months after the sale of the product by an independent, authorized Company dealer/ distributor, whichever occurs earlier.

Appendix C: Amendment

(Gas Fireplace / Equipment sold in the State of Massachusetts) 5.08: Modifications to NFPA-54, Chapter 10

- (1) Revise NFPA-54 section 10.5.4.2 by adding a second exception as follows:

Existing chimneys shall be permitted to have their use continued when a gas conversion burner is installed, and shall be equipped with a manually reset device that will automatically shut off the gas to the burner in the event of a sustained back-draft.

- (2) Revise 10.8.3 by adding the following additional requirements:

- (a) For all side wall horizontally vented gas fueled equipment installed in every dwelling, building or structure used in whole or in part for residential purposes, including those owned or operated by the Commonwealth and where the side wall exhaust vent termination is less than seven (7) feet above finished grade in the area of the venting, including but not limited to decks and porches, the following requirements shall be satisfied:

1. **INSTALLATION OF CARBON MONOXIDE DETECTORS.** At the time of installation of the side wall horizontal vented gas fueled equipment, the installing plumber or gas fitter shall observe that a hard wired carbon monoxide detector with an alarm and battery back-up is installed on the floor level where the gas equipment is to be installed. In addition, the installing plumber or gas fitter shall observe that a battery operated or hard wired carbon monoxide detector with an alarm is installed on each additional level of the dwelling, building or structure served by the side wall horizontal vented gas fueled equipment. It shall be the responsibility of the property owner to secure the services of qualified licensed professionals for the installation of hard wired carbon monoxide detectors
 - a. In the event that the side wall horizontally vented gas fueled equipment is installed in a crawl space or an attic, the hard wired carbon monoxide detector with alarm and battery back-up may be installed on the next adjacent floor level.
 - b. In the event that the requirements of this subdivision can not be met at the time of completion of installation, the owner shall have a period of thirty (30) days to comply with the above requirements; provided, however, that during said thirty (30) day period, a battery operated carbon monoxide detector with an alarm shall be installed.
2. **APPROVED CARBON MONOXIDE DETECTORS.** Each carbon monoxide detector as required in accordance with the above provisions shall comply with NFPA 720 and be ANSI/UL 2042 listed and IAS certified.
3. **SIGNAGE.** A metal or plastic identification plate shall be permanently mounted to the exterior of the building at a minimum height of eight (8) feet above grade directly in line with the exhaust vent terminal for the horizontally vented gas fueled heating appliance or equipment. The sign shall read, in print size no less than one-half (1/2) inch in size, "GAS VENT DIRECTLY BELOW. KEEP CLEAR OF ALL OBSTRUCTIONS".

4. **INSPECTION.** The state or local gas inspector of the side wall horizontally vented gas fueled equipment shall not approve the installation unless, upon inspection, the inspector observes carbon monoxide detectors and signage installed in accordance with the provisions of 248 CMR 5.08(2)(a)1 through 4.

- (b) **EXEMPTIONS:** The following equipment is exempt from 248 CMR 5.08(2)(a)1 through 4:

1. The equipment listed in Chapter 10 entitled "Equipment Not Required To Be Vented" in the most current edition of NFPA 54 as adopted by the Board; and
 2. Product Approved side wall horizontally vented gas fueled equipment installed in a room or structure separate from the dwelling, building or structure used in whole or in part for residential purposes.
- (c) **MANUFACTURER REQUIREMENTS - GAS EQUIPMENT VENTING SYSTEM PROVIDED.** When the manufacturer of Product Approved side wall horizontally vented gas equipment provides a venting system design or venting system components with the equipment, the instructions provided by the manufacturer for installation of the equipment and the venting system shall include:
1. Detailed instructions for the installation of the venting system design or the venting system components; and
 2. A complete parts list for the venting system design or venting system.
- (d) **MANUFACTURER REQUIREMENTS - GAS EQUIPMENT VENTING SYSTEM NOT PROVIDED.** When the manufacturer of a Product Approved side wall horizontally vented gas fueled equipment does not provide the parts for venting the flue gases, but identifies "special venting systems", the following requirements shall be satisfied by the manufacturer:
1. The referenced "special venting system" instructions shall be included with the appliance or equipment installation instructions; and
 2. The "special venting systems" shall be Product Approved by the Board, and the instructions for that system shall include a parts list and detailed installation instructions.
- (e) A copy of all installation instructions for all Product Approved side wall horizontally vented gas fueled equipment, all venting instructions, all parts lists for venting instructions, and/or all venting design instructions shall remain with the appliance or equipment at the completion of the installation.
- (3) After NFPA-54 section 10.10.4.2 add a new section 10.10.4.3 as follows:
- When more than four gas appliances are to be vented through a common gas vent or common horizontal vent manifold, a plan of the proposed vent installation shall be submitted to the Inspector and the serving gas supplier for review and approval.

Extraction from: Massachusetts Rules and Regulations

5.00: Amendments To 2002 Edition Of ANSI Z223.1-NFPA-54

RP620

Single Sided Gas Fireplace