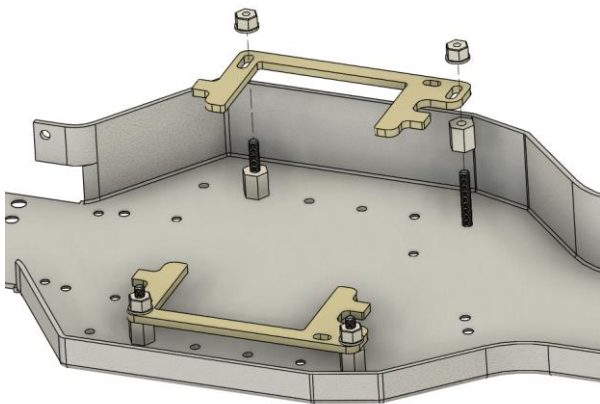


Factory Works RC10 Shorty Lipo holder

- 1) Remove existing battery holder(s)
- 2) Secure posts to the chassis. We recommend the forward set of holes as shown.
- 3) Set the plates in place. By flipping them over you can change the fore or aft bias of the battery. Lightly secure with nuts.
- 4) Install your pack and adjust the plates inward to cradle it nicely, then back off slightly for ease of removal. Tighten the nuts.
- 5) Use the o-rings to secure the battery. The unused oval holes can be used to zip tie your ESC wire out of the way if you wish.



Factory
WORKS