



KITCHEN CABINETS

Multifamily-line

MADE IN USA



DISCOVER CABINETRY



DISCOVER CABINETRY



Our Multi-family line, Kitchen cabinets are designed and built to the highest standard of the industry. We source top quality raw materials domestically in North America and perform all the manufacturing also in the USA. Assuring in this way the quality of the final products.

All our cabinets comply with the **TSCA Title VI EPA** rule and the **CARB ATCM** Phase II emission standards.

The fact we source our raw materials and manufacture 100% in the US, warranties excellent real lead times for initial purchases, and short response time when needed.

KITCHEN CABINETS

Multifamily-line

SPECIFICATIONS

Door styles and finishes



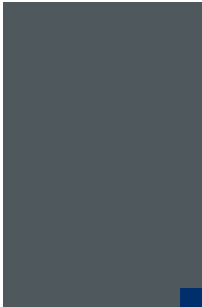
White Tex



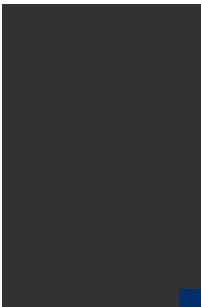
Soft Grey



Dark Grey



Storm Grey



Black Tex



Sweet Maple



Noce Moscato



Silver Wisp



Silk Road Walnut



Texture is also available

If you are looking for a particular door color style or finish:

Write to us at: sales@discovercabinetry.com 800.861.2535

We will answer questions in a personalized way.

KITCHEN CABINETS

Multifamily-line

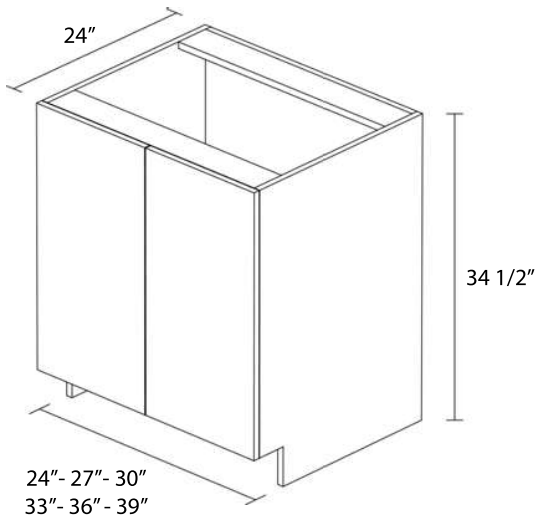
BASE CABINETS



2 DOORS • 1 SHELF

Features

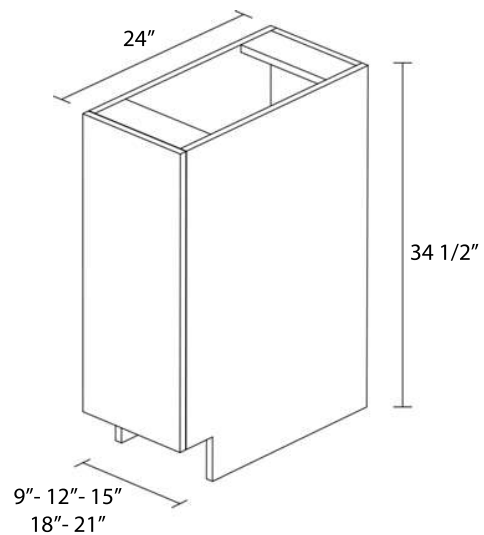
1. Cabinet Box available in White Tex color (Other colors subject to additional cost.), made of 3/4" PB TFL for maximum strength.
2. Door fronts offered in 9 different designs readily available.
3. 3/4" PB TFL Cabinet Back increases durability and toughness.
4. Adjustable Shelves to add versatility, made of 3/4" PB TFL to maximize strength.



24"- 27"- 30"
33"- 36"- 39"

2 DOORS • 1 SHELF

B24D02
24WX24DX34.5H
B27D02
27WX24DX34.5H
B30D02
30WX24DX34.5H
B33D02
33WX24DX34.5H
B36D02
36WX24DX34.5H
B39D02
39WX24DX34.5H



9"- 12"- 15"
18"- 21"

1 DOOR • 1 SHELF

R: RIGHT **L:** LEFT

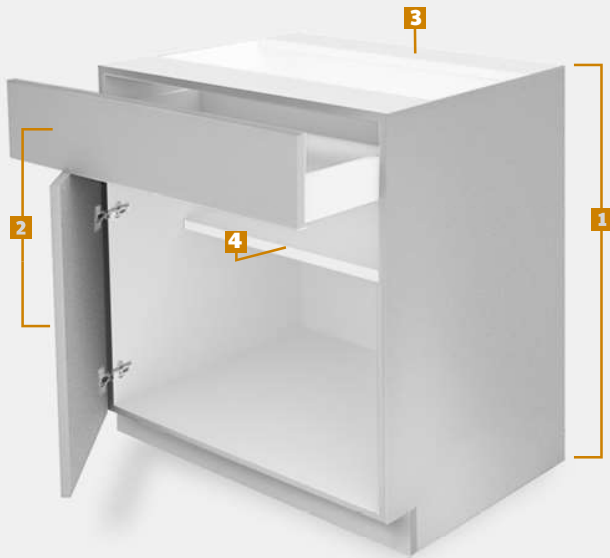
B9D01-R/L
9WX24DX34.5H
B12D01-R/L
12WX24DX34.5H
B15D01-R/L
15WX24DX34.5H
B18D01-R/L
18WX24DX34.5H
B21D01-R/L
21WX24DX34.5H

All depth measures does not include the door thickness and the separation between the cabinet box and the door.

KITCHEN CABINETS

Multifamily-line

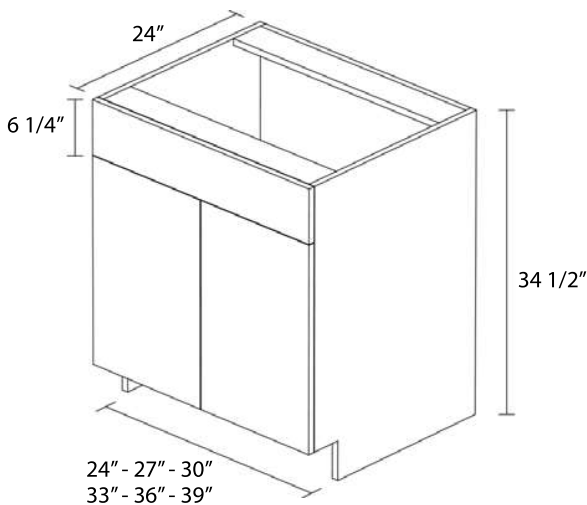
BASE CABINETS



2 DOORS • 1 SHELF • 1 DRAWER

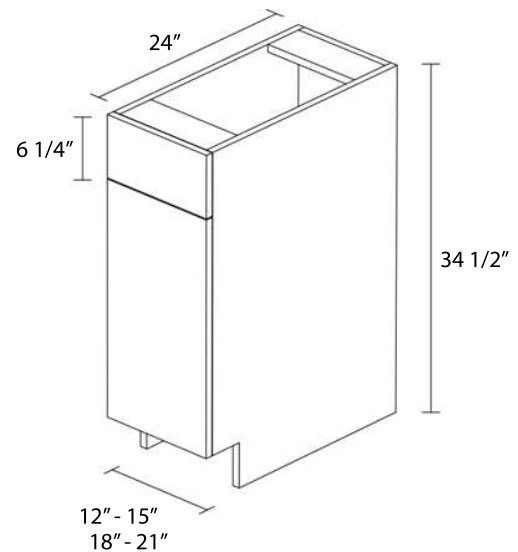
Features

1. Cabinet Box available in White Tex color (Other colors subject to additional cost.), made of 3/4" PB TFL for maximum strength.
2. Door and drawers fronts offered in 9 different designs readily available.
3. 3/4" PB TFL Cabinet Back increases durability and toughness.
4. Adjustable Shelves to add versatility, made of 3/4" PB TFL to maximize strength.



2 DOORS • 1 SHELF • 1 DRAWER

- B24DO2-DW1**
24W X 24D X 34.5H
- B27DO2-DW1**
27W X 24D X 34.5H
- B30DO2-DW1**
30W X 24D X 34.5H
- B33DO2-DW1**
33W X 24D X 34.5H
- B36DO2-DW1**
36W X 24D X 34.5H
- B39DO2-DW1**
39W X 24D X 34.5H



1 DOOR • 1 SHELF • 1 DRAWER

R: RIGHT L: LEFT

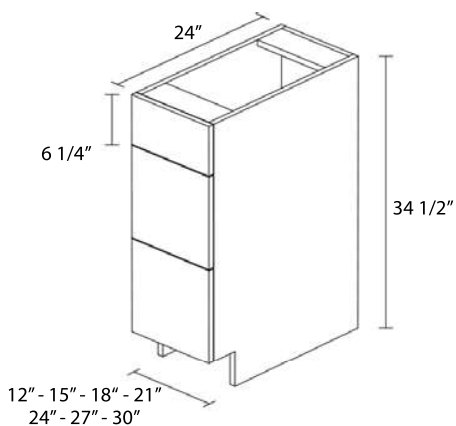
- B12DO1-DW1-R/L**
12W X 24D X 34.5H
- B15DO1-DW1-R/L**
15W X 24D X 34.5H
- B18DO1-DW1-R/L**
18W X 24D X 34.5H
- B21DO1-DW1-R/L**
21W X 24D X 34.5H

All depth measures does not include the door thickness and the separation between the cabinet box and the door.

KITCHEN CABINETS

Multifamily-line

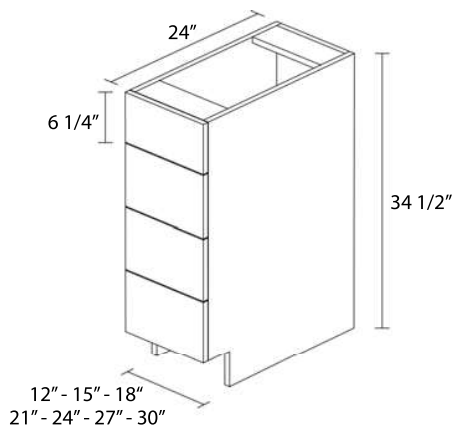
BASE CABINETS



3 DRAWERS

B12-DW3
12W X 24DX 34.5H
B15-DW3
15W X 24DX 34.5H
B18-DW3
18W X 24DX 34.5H
B21-DW3
21W X 24DX 34.5H

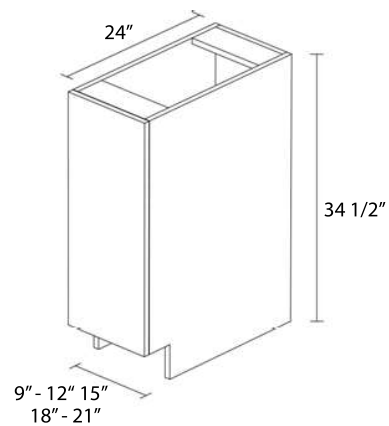
B24-DW3
24W X 24DX 34.5H
B30-DW3
27W X 24DX 34.5H
B36-DW3
30W X 24DX 34.5H



4 DRAWERS

B12-DW4
12W X 24DX 34.5H
B15-DW4
15W X 24DX 34.5H
B18-DW4
18W X 24DX 34.5H
B21-DW4
21W X 24DX 34.5H

B24-DW4
24W X 24DX 34.5H
B30-DW4
27W X 24DX 34.5H
B36-DW4
30W X 24DX 34.5H



PULL OUT ORGANIZER

B09PO
09W X 24DX 34.5H
B12PO
12W X 24DX 34.5H
B15PO
15W X 24DX 34.5H

B18PO
18W X 24DX 34.5H
B21PO
18W X 24DX 34.5H

All depth measures does not include the door thickness and the separation between the cabinet box and the door.

KITCHEN CABINETS

Multifamily-line

BASE CABINETS



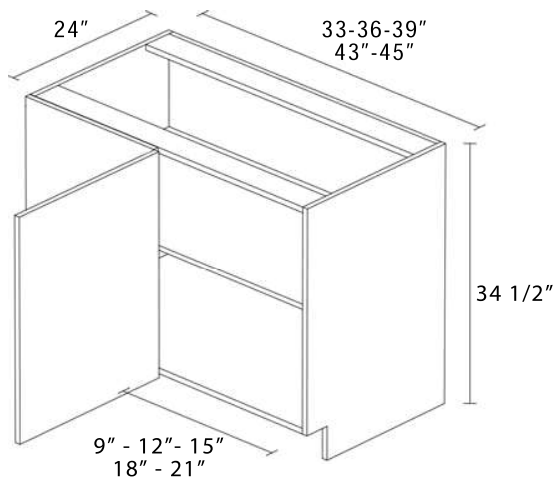
BASE • BLIND CORNER

Features

1. Cabinet Box available in White Tex color (Other colors subject to additional cost.), made of 3/4" PB TFL for maximum strength.
2. Door fronts offered in 9 different designs readily available.
3. 3/4" PB TFL Cabinet Back increases durability and toughness.
4. Adjustable Shelves to add versatility, made of 3/4" PB TFL to maximize strength.

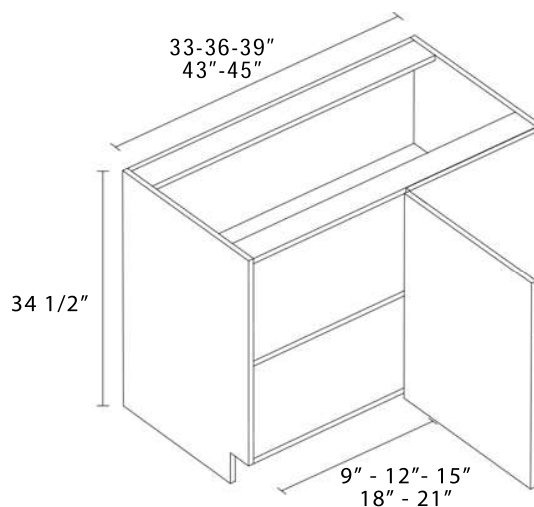
BASE • BLIND CORNER

R: RIGHT L: LEFT



BBC33DO1-R
33WX24DX34.5H
BBC36DO1-R
36WX24DX34.5H
BBC39DO1-R
39WX24DX34.5H

BBC43DO1-R
43WX24DX34.5H
BBC45DO1-R
45WX24DX34.5H



BBC33DO1-L
33WX24DX34.5H
BBC36DO1-L
36WX24DX34.5H
BBC39DO1-L
39WX24DX34.5H

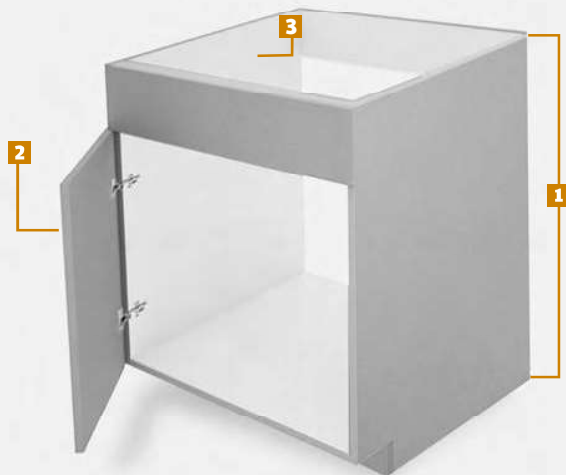
BBC43DO1-L
43WX24DX34.5H
BBC45DO1-L
45WX24DX34.5H

All depth measures does not include the door thickness and the separation between the cabinet box and the door.

KITCHEN CABINETS

Multifamily-line

SINK CABINETS



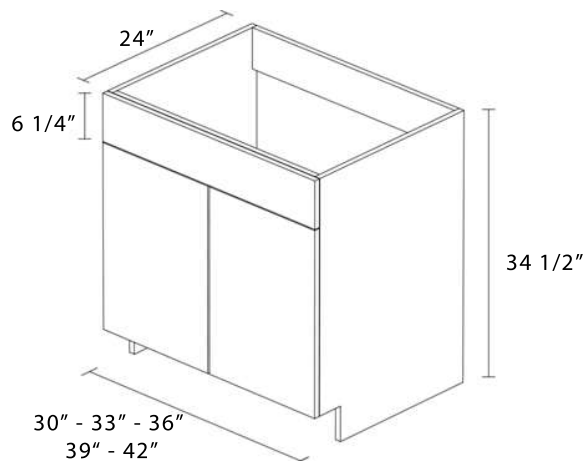
2 DOORS • 1 DUMMY DRAWER

Features

1. Cabinet Box available in White Tex color (Other colors subject to additional cost.), made of 3/4" PB TFL for maximum strength.
2. Door and Dummy drawer fronts offered in 9 different designs readily available.
3. 3/4" PB TFL Cabinet Back increases durability and toughness.

2 DOORS • 1 DUMMY DRAWER

- SB30D02-FDW1**
30W X 24D X 34.5H
- SB33D02-FDW1**
33W X 24D X 34.5H
- SB36D02-FDW1**
36W X 24D X 34.5H
- SB39D02-FDW1**
39W X 24D X 34.5H
- SB42D02-FDW1**
42W X 24D X 34.5H



KITCHEN CABINETS

Multifamily-line

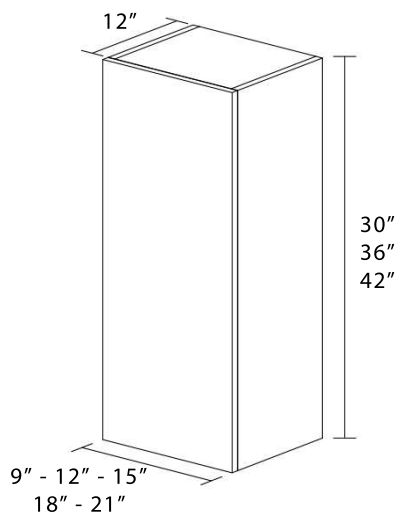
WALL CABINETS



1 DOOR • 2 AND 3 SHELVES

Features

1. Cabinet Box available in White Tex color (Other colors subject to additional cost.), made of 3/4" PB TFL for maximum strength.
2. Door fronts offered in 9 different designs readily available.
3. 3/4" PB TFL Cabinet Back increases durability and toughness.
4. Adjustable Shelves to add versatility, made of 3/4" PB TFL to maximize strength.



1 DOOR • 2 SHELVES

R: RIGHT L: LEFT

- W930DO1-R/L**
9W X 12DX 30H
- W1230DO1-R/L**
12W X 12DX 30H
- W1530DO1-R/L**
15W X 12DX 30H
- W1830DO1-R/L**
18W X 12DX 30H
- W2130DO1-R/L**
21W X 12DX 30H

1 DOOR • 3 SHELVES

R: RIGHT L: LEFT

- W936DO1-R/L**
9W X 12DX 36H
- W1236DO1-R/L**
12W X 12DX 36H
- W1536DO1-R/L**
15W X 12DX 36H
- W1836DO1-R/L**
18W X 12DX 36H
- W2136DO1-R/L**
21W X 12DX 36H

1 DOOR • 3 SHELVES

R: RIGHT L: LEFT

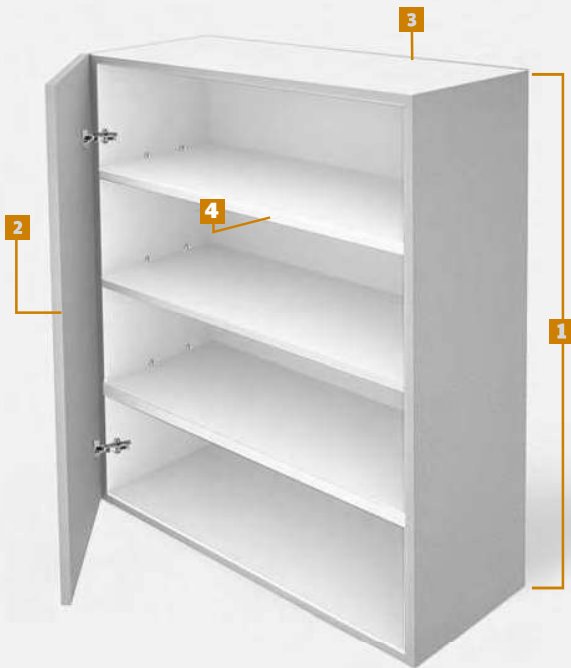
- W942DO1-R/L**
9W X 12DX 42H
- W1242DO1-R/L**
12W X 12DX 42H
- W1542DO1-R/L**
15W X 12DX 42H
- W1842DO1-R/L**
18W X 12DX 42H
- W2142DO1-R/L**
21W X 12DX 42H

All depth measures does not include the door thickness and the separation between the cabinet box and the door.

KITCHEN CABINETS

Multifamily-line

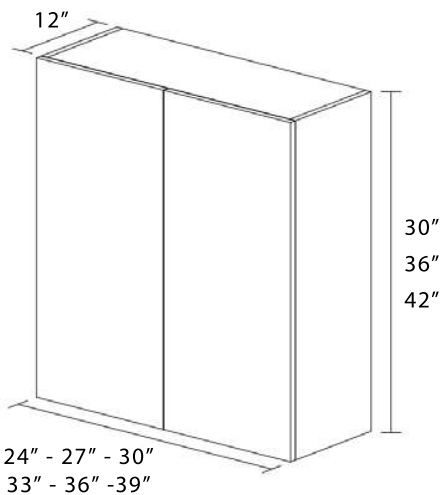
WALL CABINETS



2 DOORS • 2 AND 3 SHELVES

Features

1. Cabinet Box available in White Tex color (Other colors subject to additional cost.), made of 3/4" PB TFL for maximum strength.
2. Door fronts offered in 9 different designs readily available.
3. 3/4" PB TFL Cabinet Back increases durability and toughness.
4. Adjustable Shelves to add versatility, made of 3/4" PB TFL to maximize strength.



2 DOORS • 3 SHELVES

- W2436D02**
24WX12DX36H
- W2736D02**
27WX12DX36H
- W3036D02**
30WX12DX36H
- W3336D02**
33WX12DX36H
- W3636D02**
36WX12DX36H
- W3936D02**
39WX12DX36H

2 DOORS • 2 SHELVES

- W2430D02**
24WX12DX30H
- W2730D02**
27WX12DX30H
- W3030D02**
30WX12DX30H
- W3330D02**
33WX12DX30H
- W3630D02**
36WX12DX30H
- W3930D02**
39WX12DX30H

2 DOORS • 3 SHELVES

- W2442D02**
24WX12DX42H
- W2742D02**
27WX12DX42H
- W3042D02**
30WX12DX42H
- W3342D02**
33WX12DX42H
- W3642D02**
36WX12DX42H
- W3942D02**
39WX12DX42H

All depth measures does not include the door thickness and the separation between the cabinet box and the door.

KITCHEN CABINETS

Multifamily-line

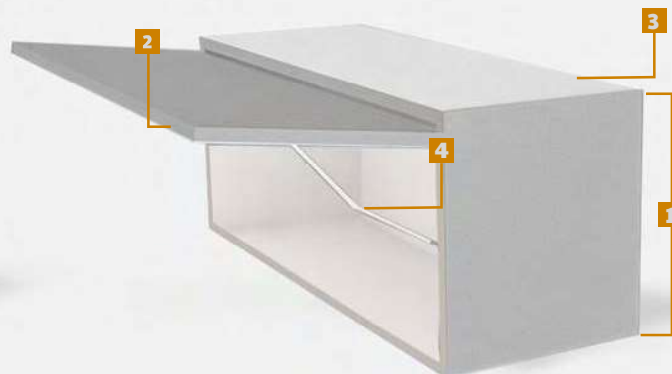
WALL CABINETS



1 DOOR

Features

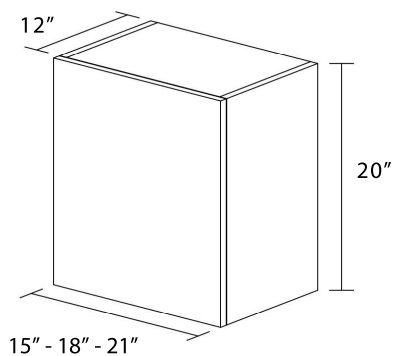
1. Cabinet Box available in White Tex color (Other colors subject to additional cost.), made of 3/4" PB TFL for maximum strength.
2. Door fronts offered in 9 different designs readily available.
3. 3/4" PB TFL Cabinet Back increases durability and toughness.



1 LIFT UP DOOR

Features

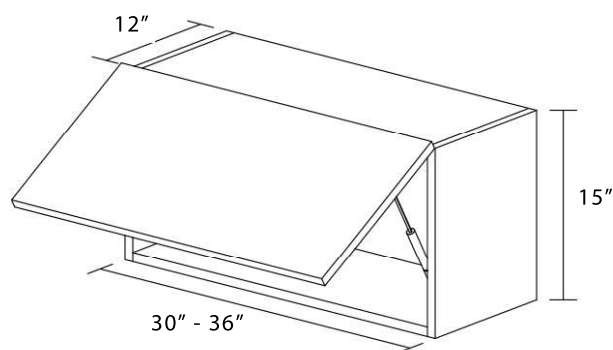
1. Cabinet Box available in White Tex color (Other colors subject to additional cost.), made of 3/4" PB TFL for maximum strength.
2. Door fronts offered in 9 different designs readily available.
3. 3/4" PB TFL Cabinet Back increases durability and toughness.
4. Lift Up adjustable system with soft close mechanism.



1 DOOR

R: RIGHT L: LEFT

- W1520DO1-R/L**
15W X 12DX 20H
- W1820DO1-R/L**
18W X 12DX 20H
- W2120DO1-R/L**
21W X 12DX 20H



1 LIFT UP DOOR

- W3015LU**
30W X 12DX 15H
- W3615LU**
36W X 12DX 15H

All depth measures does not include the door thickness and the separation between the cabinet box and the door.

KITCHEN CABINETS

Multifamily-line

WALL CABINETS



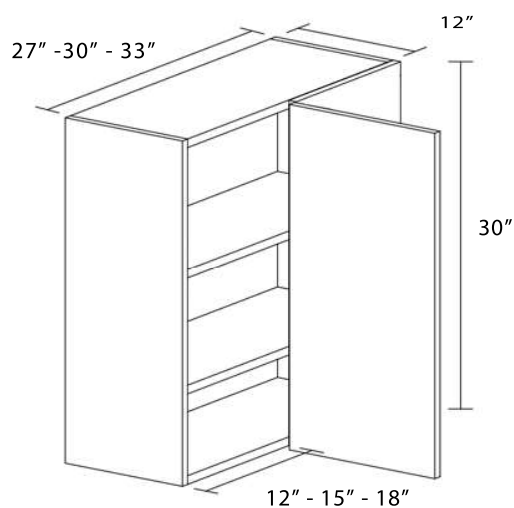
WALL - BLIND CORNER

Features

1. Cabinet Box available in White Tex color (Other colors subject to additional cost.), made of 3/4" PB TFL for maximum strength.
2. Door fronts offered in 9 different designs readily available.
3. 3/4" PB TFL Cabinet Back increases durability and toughness.
4. Adjustable Shelves to add versatility, made of 3/4" PB TFL to maximize strength.

WALL - BLIND CORNER

R: RIGHT L: LEFT

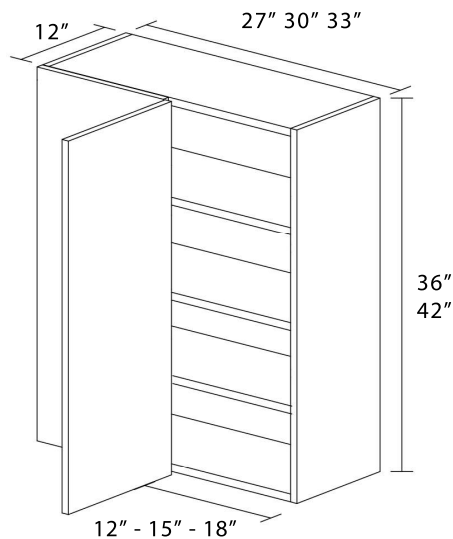


1 DOOR • 2 SHELVES

WBC2730DO1-R/L
27WX12DX30H

WBC3030DO1-R/L
30WX12DX30H

WBC3030DO1-R/L
33WX12DX30H



1 DOOR • 3 SHELVES

WBC2736DO1-R/L
27WX12DX36H

WBC3036DO1-R/L
30WX12DX36H

WBC3036DO1-R/L
36WX12DX36H

WBC2742DO1-R/L
27WX12DX42H

WBC3042DO1-R/L
30WX12DX42H

WBC3642DO1-R/L
36WX12DX42H

All depth measures does not include the door thickness and the separation between the cabinet box and the door.

KITCHEN CABINETS

Multifamily-line

BRIDGE CABINETS



2 DOORS

Features

1. Cabinet Box available in White Tex color (Other colors subject to additional cost.), made of 3/4" PB TFL for maximum strength.
2. Door fronts offered in 9 different designs readily available.
3. 3/4" PB TFL Cabinet Back increases durability and toughness.

KITCHEN CABINETS

Multifamily-line

BRIDGE CABINETS

2 DOORS

WB3012DO2

30WX12DX12H

WB3015DO2

30WX12DX15H

WB3018DO2

30WX12DX18H

WB3021DO2

30WX12DX21H

WB3024DO2

30WX12DX24H

2 DOORS

WB3612DO2

36WX12DX12H

WB3615DO2

36WX12DX15H

WB3618DO2

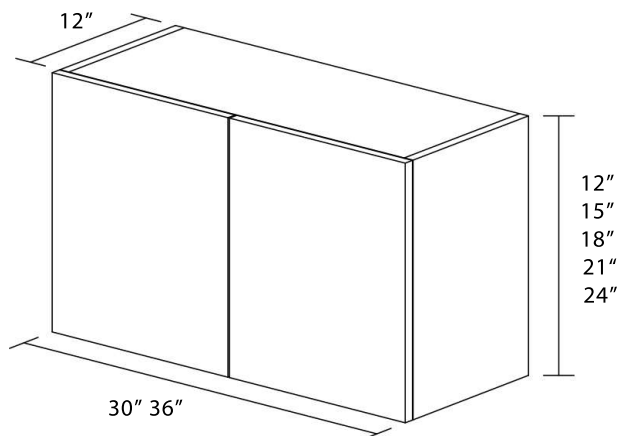
36WX12DX18H

WB3621DO2

36WX12DX21H

WB3624DO2

36WX12DX24H



All depth measures does not include the door thickness and the separation between the cabinet box and the door.

2 DOORS

WB3312DO2

33WX24DX12H

WB3315DO2

33WX24DX15H

WB3318DO2

33WX24DX18H

WB3321DO2

33WX24DX21H

WB3325DO2

33WX24DX24H

2 DOORS

WB3612DO2

36WX24DX12H

WB3615DO2

36WX24DX15H

WB3618DO2

36WX24DX18H

WB3621DO2

36WX24DX21H

WB3625DO2

36WX24DX24H

2 DOORS

WB3912DO2

39WX24DX12H

WB3915DO2

39WX24DX15H

WB3918DO2

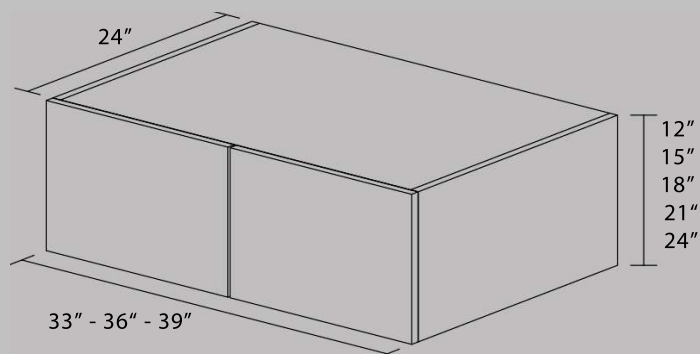
39WX24DX18H

WB3921DO2

39WX24DX21H

WB3925DO2

39WX24DX24H



All depth measures does not include the door thickness and the separation between the cabinet box and the door.

KITCHEN CABINETS

Multifamily-line

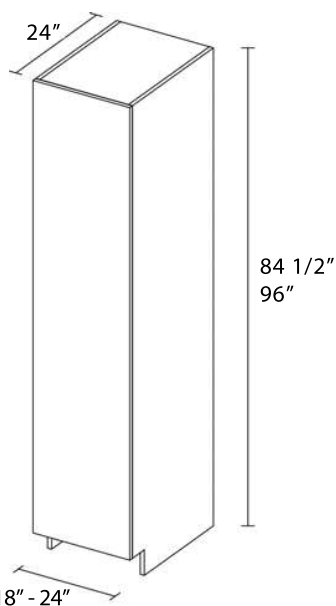
TALL PANTRY



2 DOORS • 4 SHELVES

Features

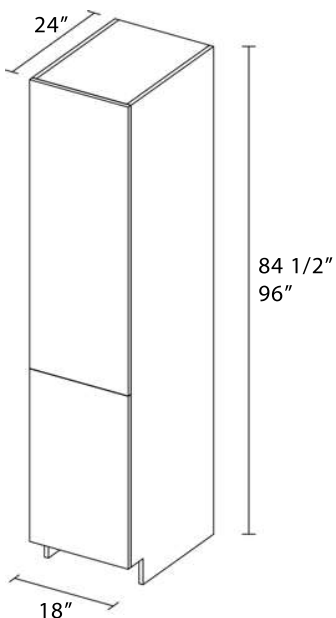
1. Cabinet Box available in White Tex color (Other colors subject to additional cost.), made of 3/4" PB TFL for maximum strength.
2. Door fronts offered in 9 different designs readily available.
3. 3/4" PB TFL Cabinet Back increases durability and toughness.
4. Adjustable Shelves to add versatility, made of 3/4" PB TFL to maximize strength.



1 DOOR • 4 SHELVES

R: RIGHT L: LEFT

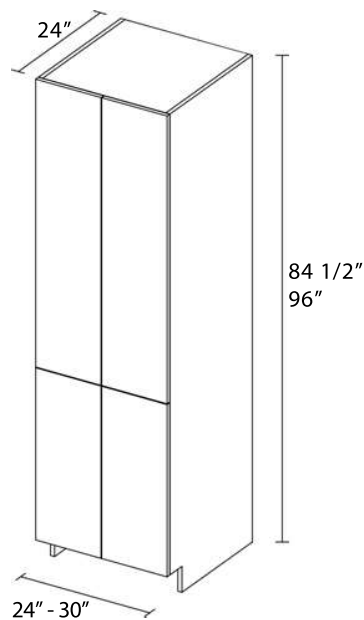
- TP1884DO1-R/L**
18WX24DX84.5H
- TP1896DO1-R/L**
18WX24DX96H
- TP2484DO1-R/L**
24WX24DX84.5H
- TP2496DO1-R/L**
24WX24DX96H



2 DOORS • 3 • 4 SHELVES

R: RIGHT L: LEFT

- TP1884DO2-R/L**
18WX24DX84.5H
- TP1896DO2-R/L**
18WX24DX96H



4 DOORS • 3 • 4 SHELVES

- TP2484DO4**
24WX24DX84.5H
- TP2496DO4**
24WX24DX96H
- TP3084DO4**
30WX24DX84.5H
- TP3096DO4**
30WX24DX96H

All depth measures does not include the door thickness and the separation between the cabinet box and the door.

KITCHEN CABINETS

Multifamily-line

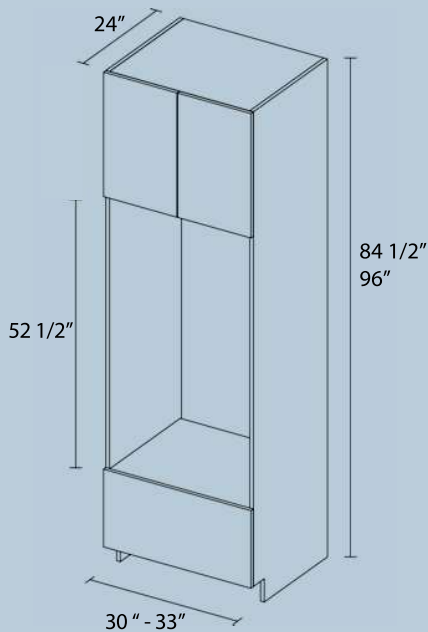
TALL PANTRY



TALL DUAL OVEN PANTRY

Features

1. Cabinet Box available in White Tex color (Other colors subject to additional cost.), made of 3/4" PB TFL for maximum strength.
2. Door fronts offered in 9 different designs readily available.
3. 3/4" PB TFL Cabinet Back increases durability and toughness.

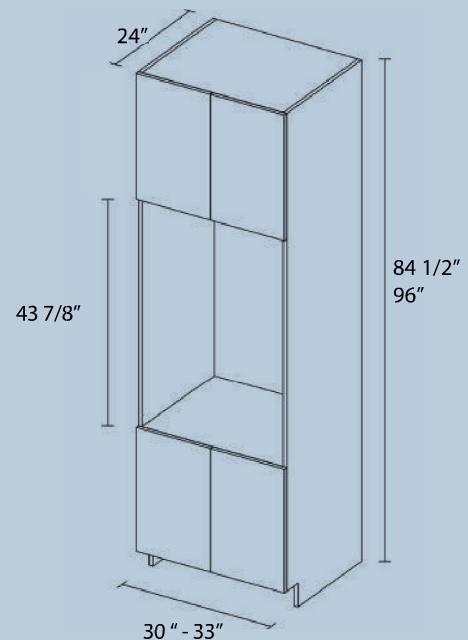


TALL DUAL OVEN PANTRY

2 DOORS • 1 DRAWER

TPDO3324DO2-DW1
30WX24DX84.5H
33WX24DX96H

All depth measures does not include the door thickness and the separation between the cabinet box and the door.



TALL PANTRY OVEN

MICROWAVE

4 DOORS • 1 SHELF

TPOM3024DO4
30WX24DX84.5H
TPOM3324DO4
33WX24DX96H

KITCHEN CABINETS

Multifamily-line

TALL PANTRY



DISCOVER CABINETRY

HOUSTON - NASHVILLE
Houston Showroom Opening 2023
800.861.2535
sales@discovercabinetry.com

TSCA TITLE VI COMPLIANT