

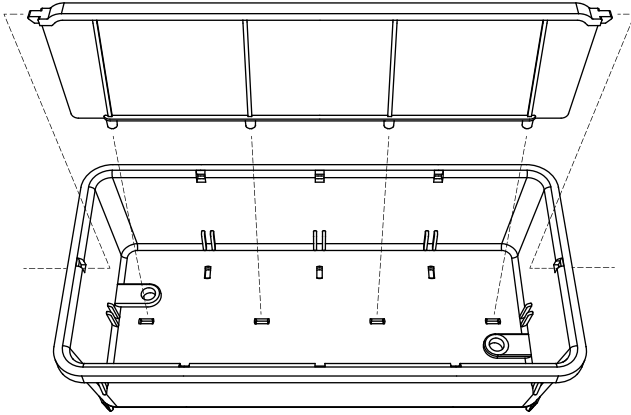
# TOOLGRID™

ORGANIZATION SYSTEM

Patent Pending

## Instruction / Instrucción

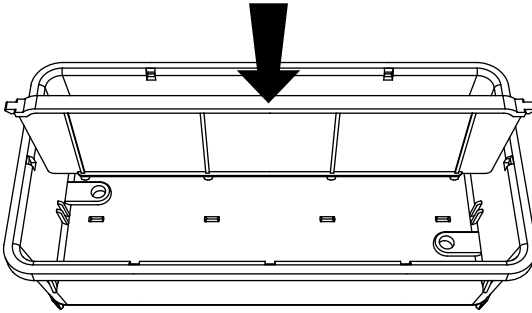
1



TGC-D3, TGC-D6, TGC-D9

TGC-3x3, TGC-3x6, TGC-3x9, TGC-3x12, TGC-6x9

2



3

