

Anti-Spatter Solutions

Spatter shield the new way of anti-spatter

WHAT IS SPATTER SHIELD?

Spatter Shield is a revolutionary new way of anti-spatter.

- Up till now we protected the work piece against the spatter.
- From now on we protect the spatter against the work piece.

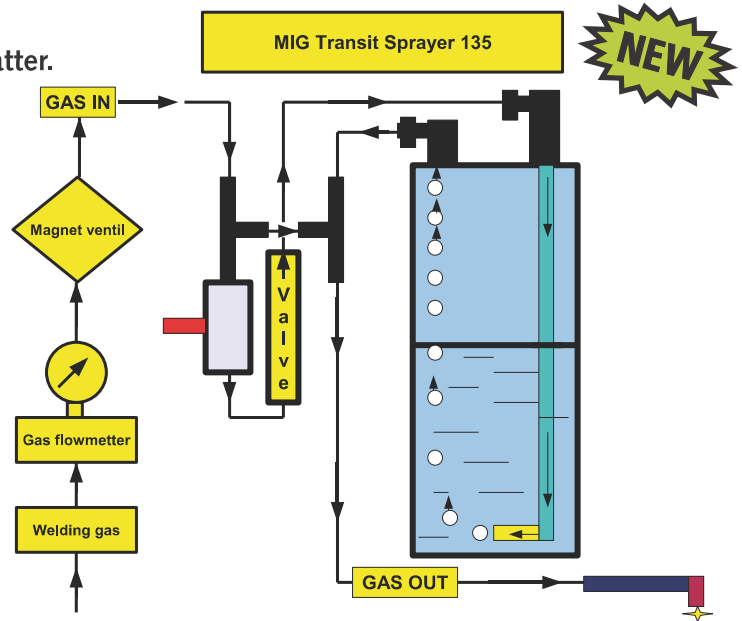
How does it work??

The Spatter Shield unit contains a special fluid which is atomised into the shielding gas.

This mist creates a shielding layer around the spatter which makes that it won't stick to the work piece, tooling or jig.

The same shielding layer is created at the torch parts which are herewith protected as well.

The unit is easily installed and one 135ml bottle of fluid can be used to weld up to 450 Kg of welding wire. Works for mild steel and Stainless steel but not for Aluminium.



Connections



For easy connection just cut the existing hose and plug the ends to the hose connectors. The unit is self-powered and uses gas flow only.

Unit Part # WW-SSU



Regulator

With the regulator the amount of atomised mist can be adjusted



Fluid

The 135 MI refill bottle has the capacity to weld up to 450 Kg of welding wire

Part # WW-SSF



Mounting kit

For easy mounting to robot or welding machine. The swing keeps the unit in vertical position



Anti-Spatter Solutions



Spatter shield the new way of anti-spatter



- Less or no after treatment of workpiece
- Less cleaning cycles of torch needed
- Longer lifetime of torch consumables
- Longer lifetime of jig and tooling
- Clean weld cell by using less fluids
- MORE PRODUCTION

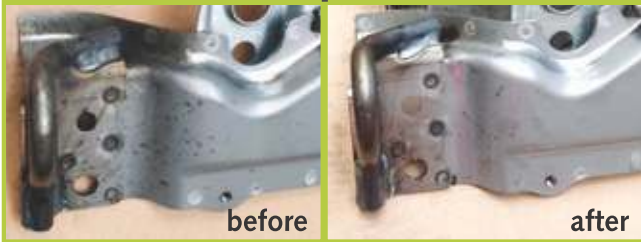
Soon Available:
Spatter Shield liquid
to use in your
cleaning station
Part # WW-SSL



Part # WW-SSU
Unit w/o fluid

Part # WW-SSF
Spatter Shield Fluid

Work piece



Tooling



Consumables



Traditional anti-spatter

For the traditional use of anti-spatter Wire Wizard offers the range of Blue Magic anti-spatter products. This cost effective, environmentally safe product provides a superb performance even in high temperature applications.

- Non-flammable no harmful chemicals
- Biodegradable low pH-level
- Contains no silicone
- Perfect paint over properties



Blue magic™ concentrate



To avoid high freight costs we can also supply the Blue Magic™ in a concentrate.

This concentrate is sold in 19 liter jerry cans and can be mixed with de-onized water to a total of 200 liter of Blue Magic ant-spatter.

Blue Magic™ Concentrate
EAS1000-CC

Blue Magic™

ITEM	PART NO.
1 Liter Bottle	EAS1000-C32
3,8 Liter Bottle	EAS1000-C1
19 Liter Jerrycan	EAS1000-C5
200 Liter Jerrycan	EAS1000-C