



REVOLUTION™

STORAGE MODULE no drawer

(not include FlareFree cup)



ASSEMBLY MANUAL

REVSTOGLND / REVSTOMAND

LIMITED 5-YEAR WARRANTY

Read and save the manual for future reference.

Assemble your barbecue immediately. Missing or damaged parts should be claimed within 30 days of purchase.

For product inquiries, parts, warranty and troubleshooting support, please call 1300 659 489.



HEAVY ARTICLE NEEDS 2 TO LIFT

THIS MANUAL MUST REMAIN WITH THE PRODUCT AT ALL TIMES

To ORDER non-warranty replacement parts or accessories,
or to register your warranty, please visit us on the web at
www.colemanbbqs.com.au

⚠ CAUTION

Sharp edges. Wear gloves when
assembling your barbecue.

⚠ CAUTION

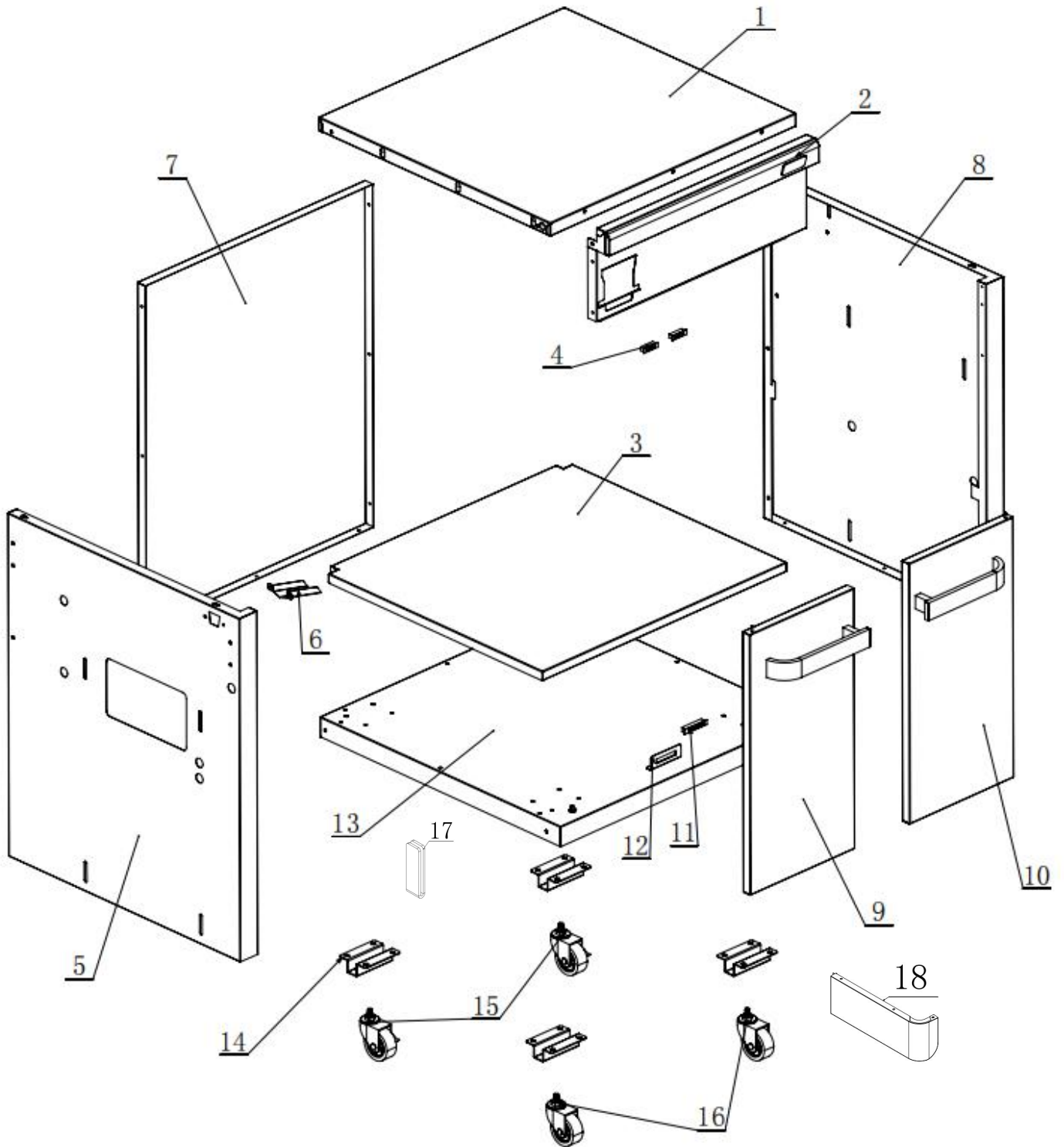
It is recommended that you carefully
read and adhere to all safety
statements, assembly instructions,
and care to directions prior to
undertaking any assembly or cooking
tasks.

⚠ WARNING


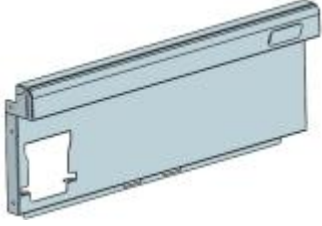
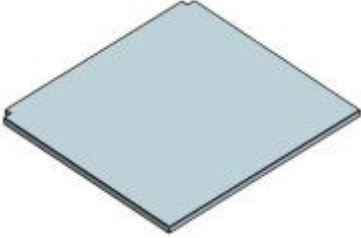
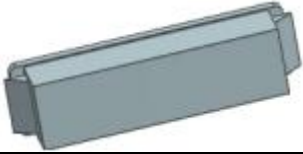
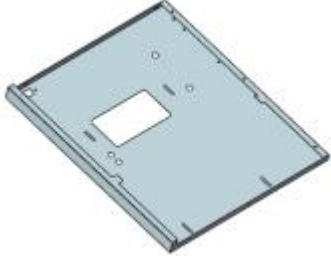

Do not store or use gasoline, vapours,
or any other flammable liquids in the
vicinity of this appliance.

**CONTACT CALL CENTRE IF ANY PARTS ARE MISSING
1300 659 489**

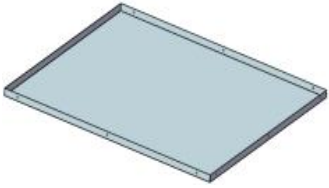

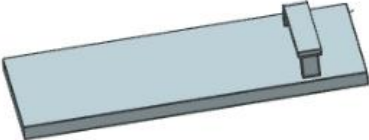
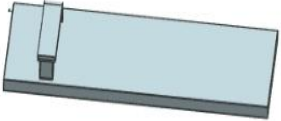

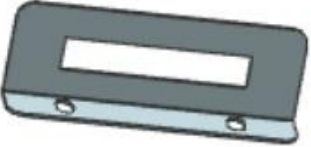
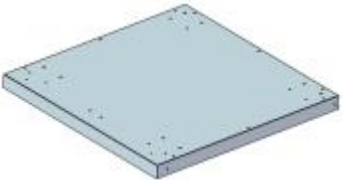

PARTS LIST FOR REVSTOGLND / REVSTOMAND



ASSEMBLY PARTS

NO.	DESCRIPTION	IMAGE	QTY	REVSTOGLND	REVSTOMAND
1	Top shelf		1	REVSTG1001AU	REVSTG1001AU
2	Front panel		1	REVSTG2004AU	REVSTG3009AU
3	Middle shelf		1	REVSC010010	REVSC030010
4	Upper magnet		2	SRT2018001	SRT2018001
5	Left panel		1	REVCONW0102AU	REVCONW0302AU
6	Drainage tube		1	SRT2018010	SRT2018010

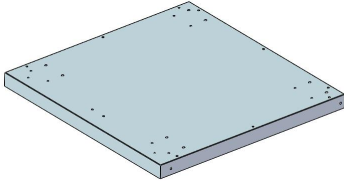




EXPLODED DIAGRAM F O R REVSTOGLND / REVSTOMAND

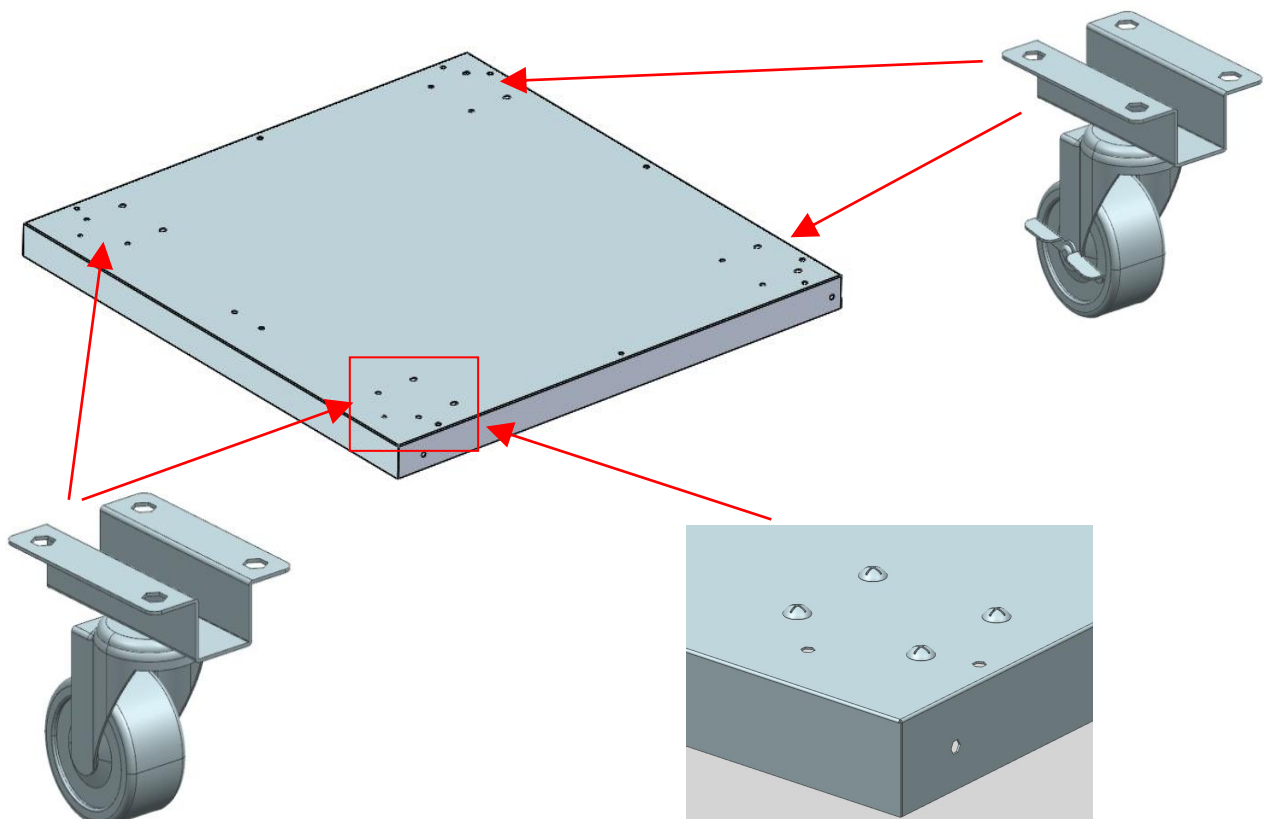
7	Back panel		1	REVCONW0104AU	REVCONW0304AU
8	Right panel		1	REVCONW0103AU	REVCONW0303AU
9	Left door		1	REVSI02002	REVSI03005
10	Right door		1	REVSI02003	REVSI03006
11	Bottom magnet		1	SRT2018002	SRT2018002
12	Magnet frame		1	REVSI01009	REVSI03007
13	Bottom shelf		1	REVSI01010AU	REVSI03008AU
14	Wheel rack		4	SRT2018003	SRT2018003

PARTS LIST FOR REVSTOGLND / REVSTOMAND

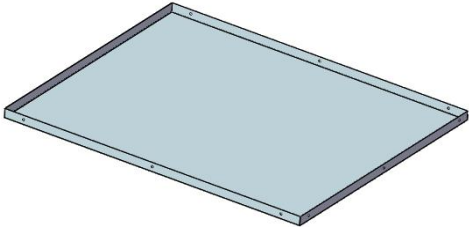

15	2.5"Wheels with brake		2	SRT2018004	SRT2018004
16	2.5"Wheels		2	SRT2018005	SRT2018005
17	Clip		4	SRTCL001	SRTCL001
18	Side shelf		1	G532Y20002	G532Y10003
A	M6*12		16	SRT2018018	SRT2018018
B	M4*12		21	SRT2018013	SRT2018013
C	M4*8		9	SRT2018014	SRT2018014
D	M4*8		2	SRT2018015	SRT2018015

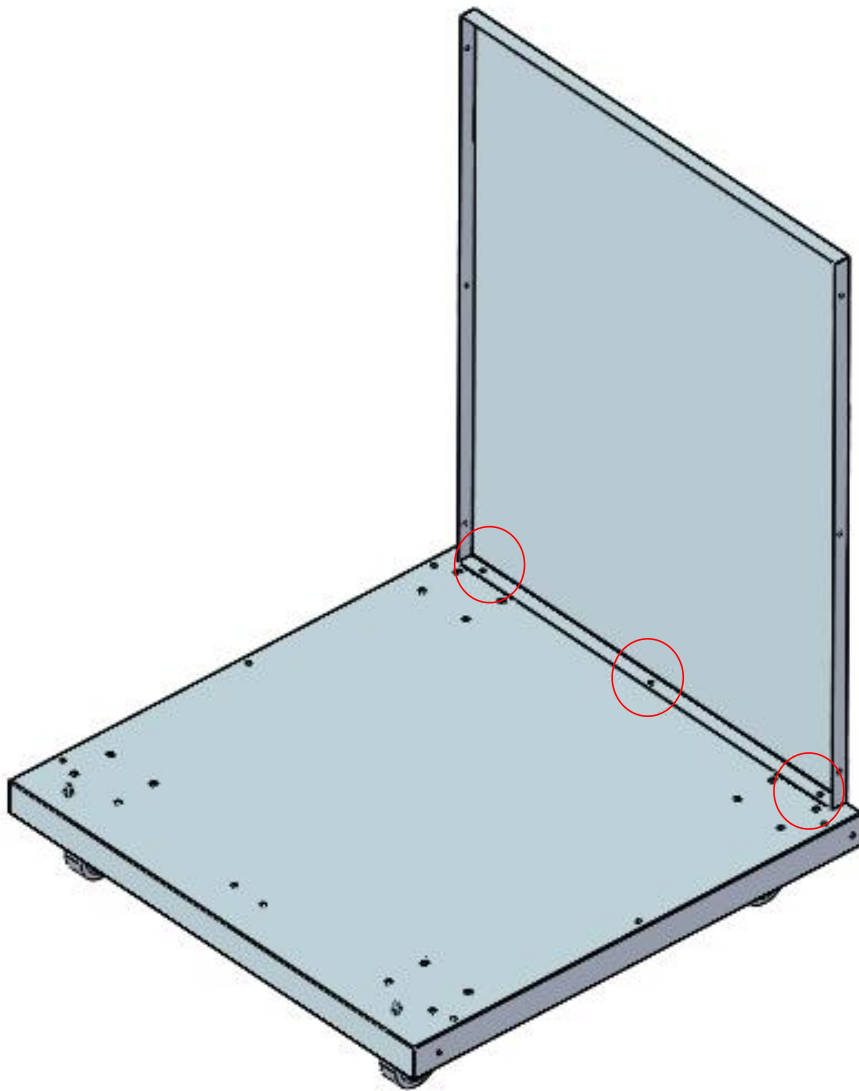
Installation guide 1

NO.	DESCRIPTION	IMAGE	QTY
13	Bottom shelf		1
14	Wheel rack		4
15	2.5"Wheels with brake		2
16	2.5"Wheels		2
A	M6*12		16

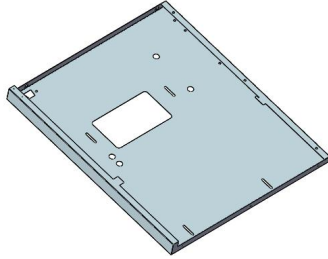



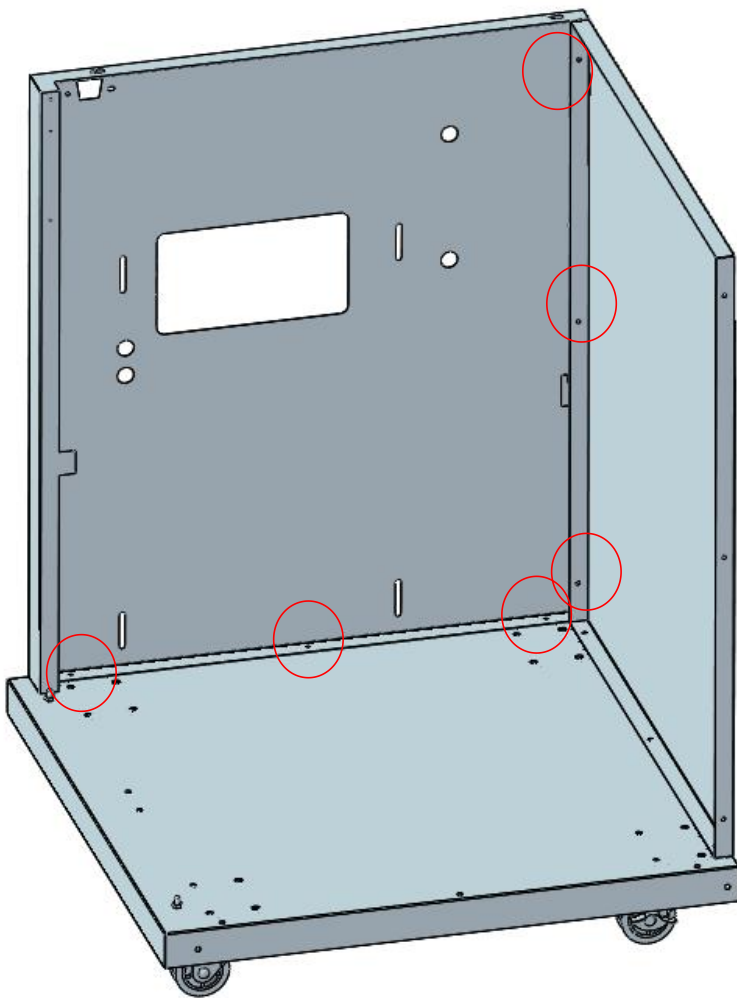
Installation guide 2

NO.	DESCRIPTION	IMAGE	QTY
7	Back panel		1
B	M4*12		3

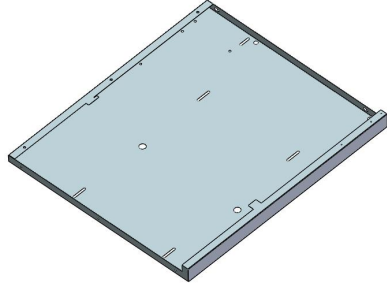



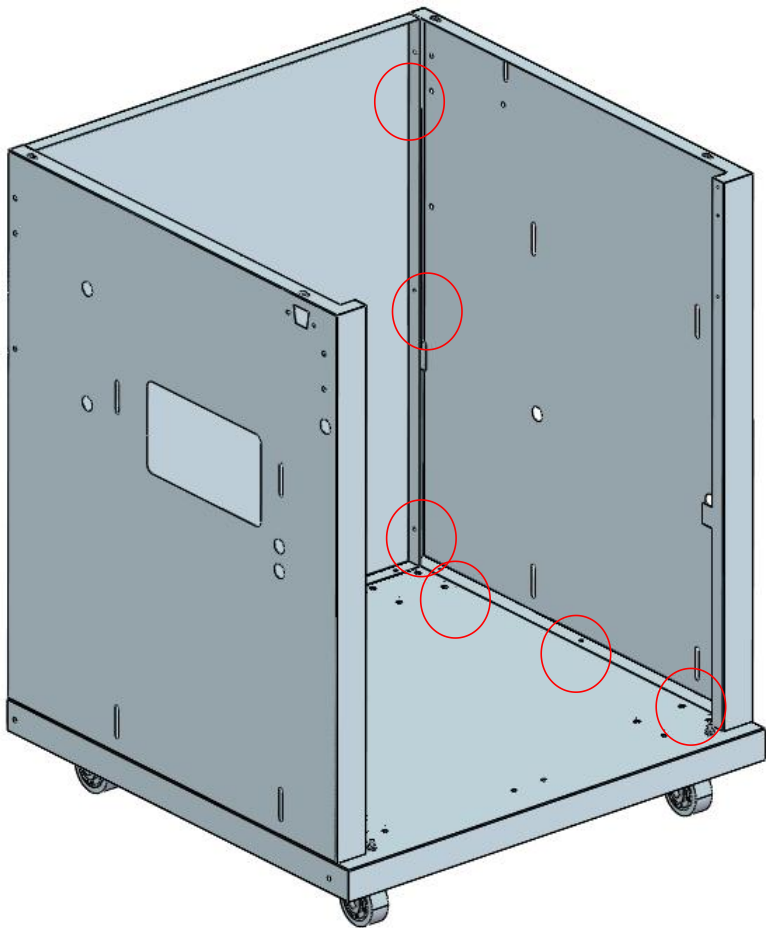
Installation guide 3

NO.	DESCRIPTION	IMAGE	QTY
5	Left panel	 A light blue rectangular metal panel with a central rectangular cutout and several small circular holes around the perimeter.	1
B	M4*12	 A light blue metal screw with a Phillips head and a threaded shaft.	6

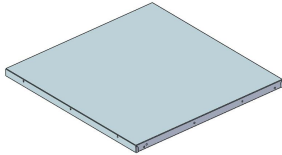
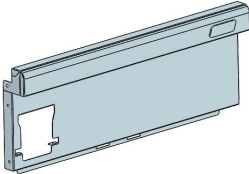



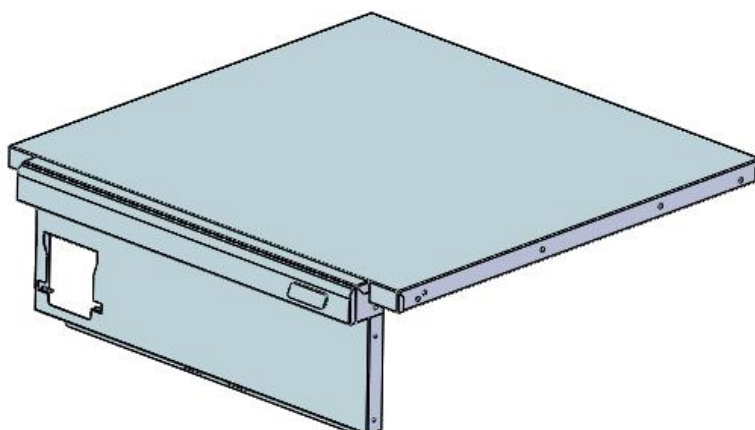
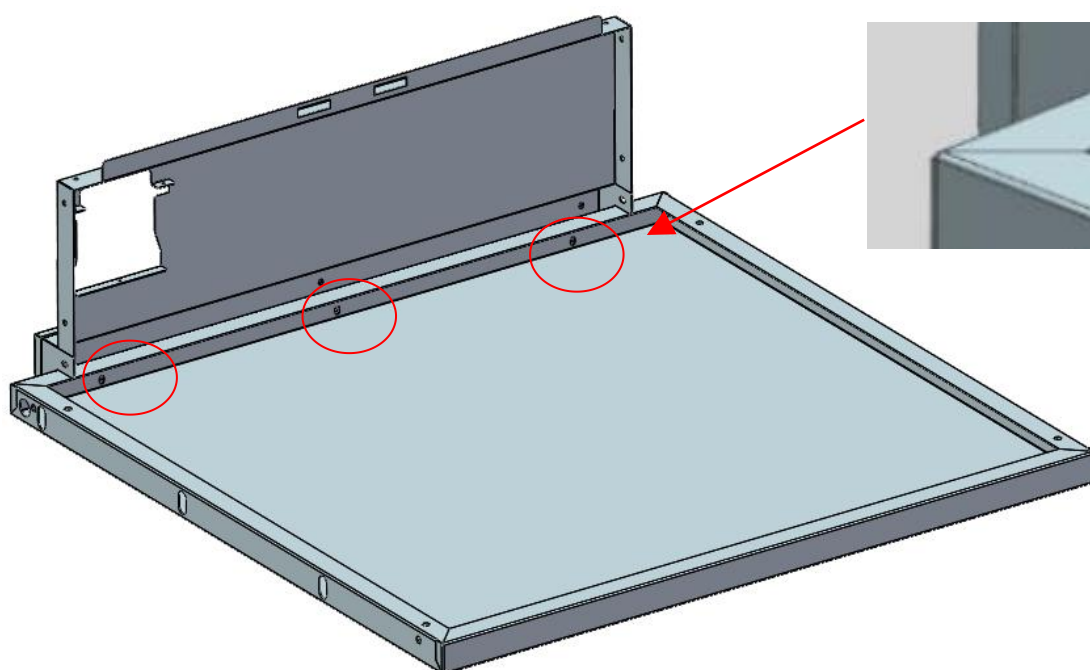
Installation guide 4

NO.	DESCRIPTION	IMAGE	QTY
8	Right panel		1
B	M4*12		6




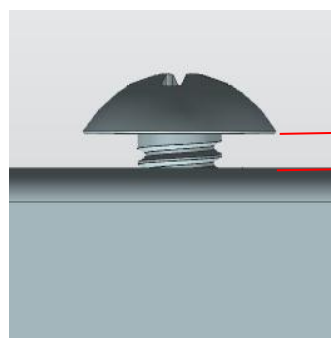
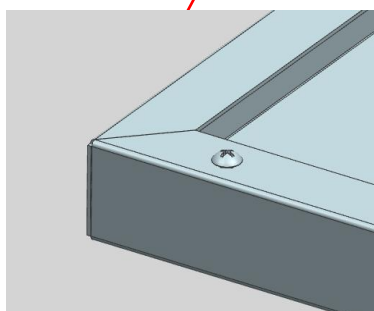
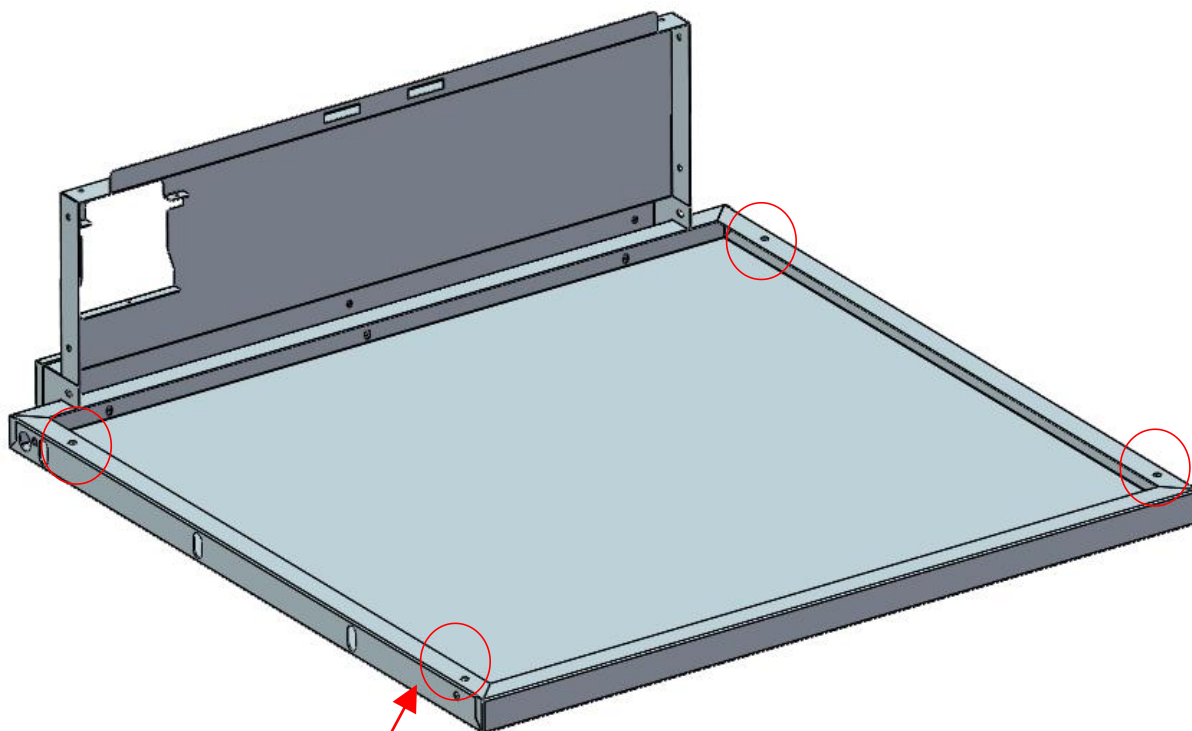
Installation guide 5

NO.	DESCRIPTION	IMAGE	QTY
1	Top shelf		1
2	Front panel		1
C	M4*8		3



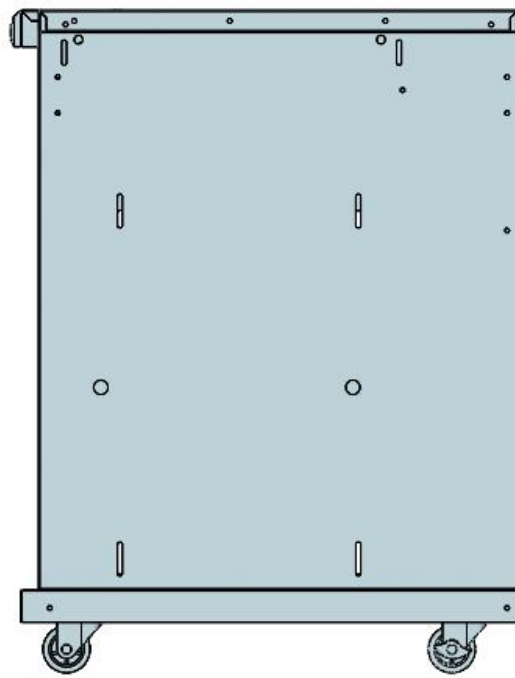
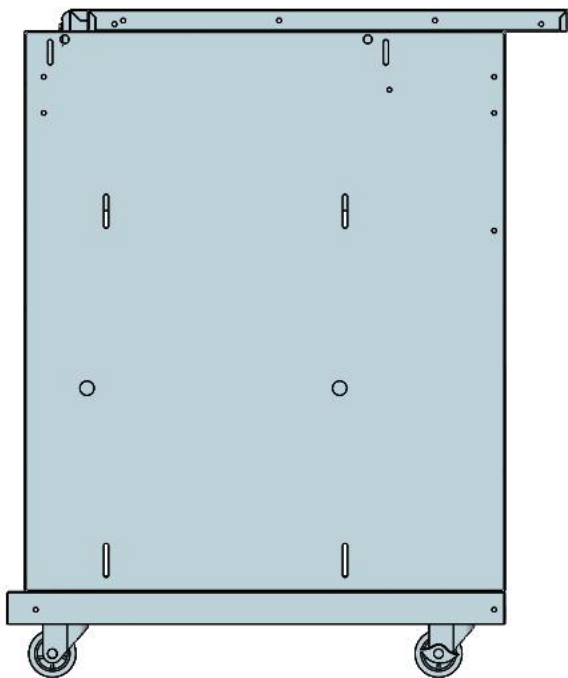
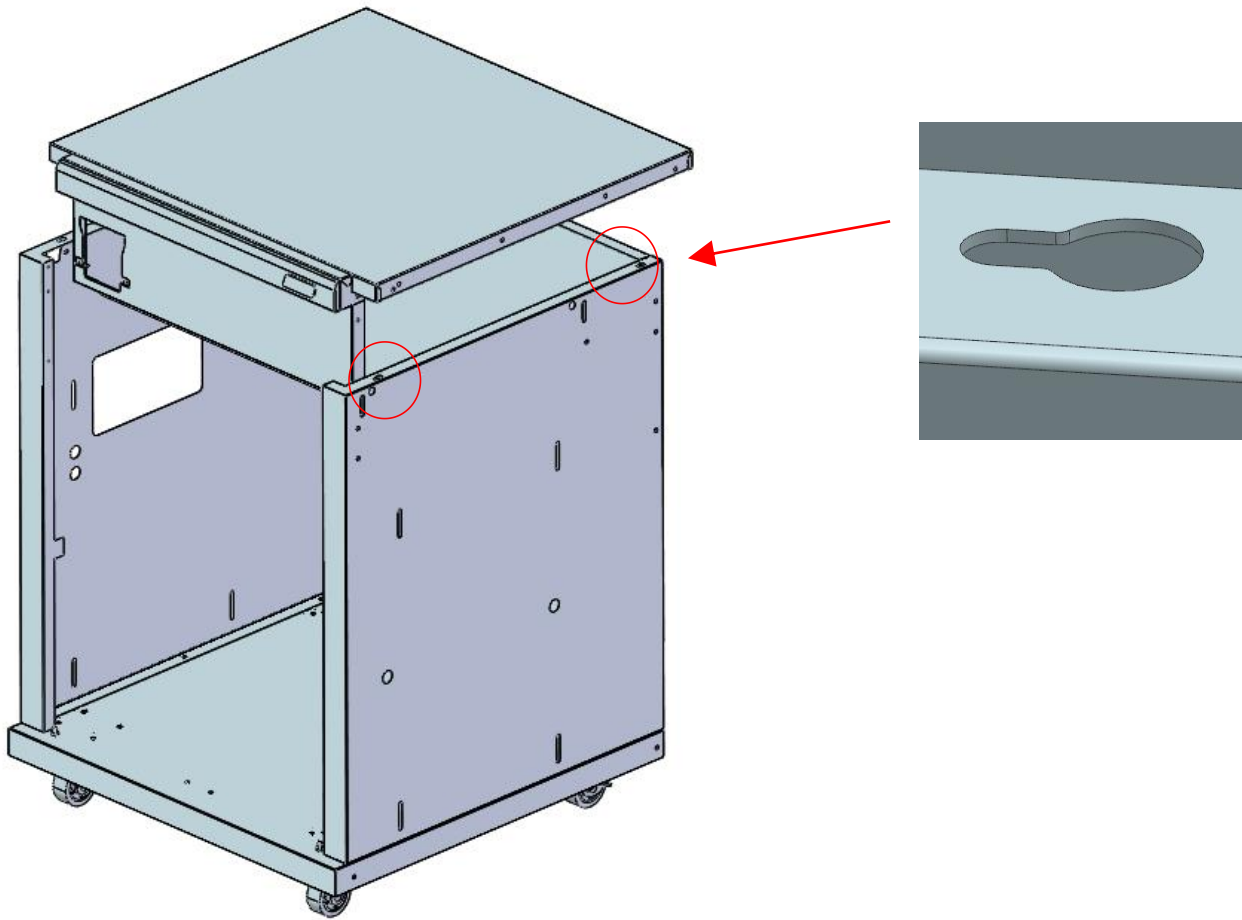
Installation guide 6

NO.	DESCRIPTION	IMAGE	QTY
B	M4*12		4




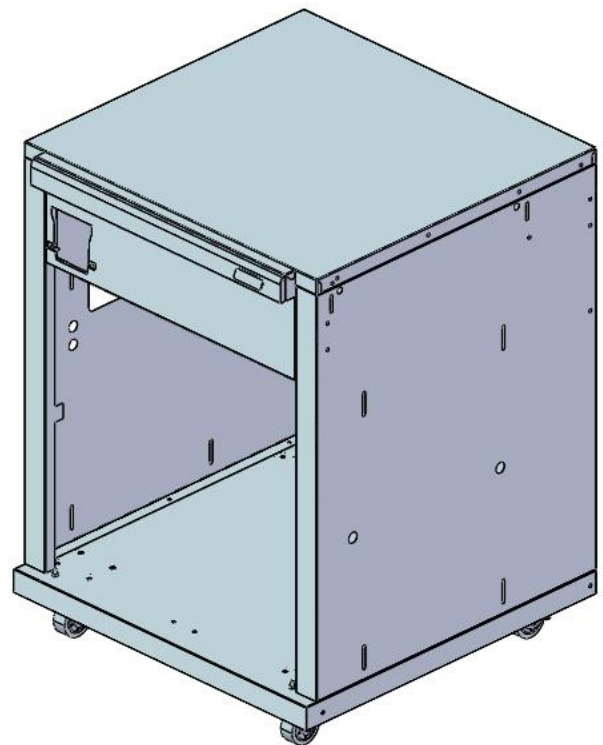
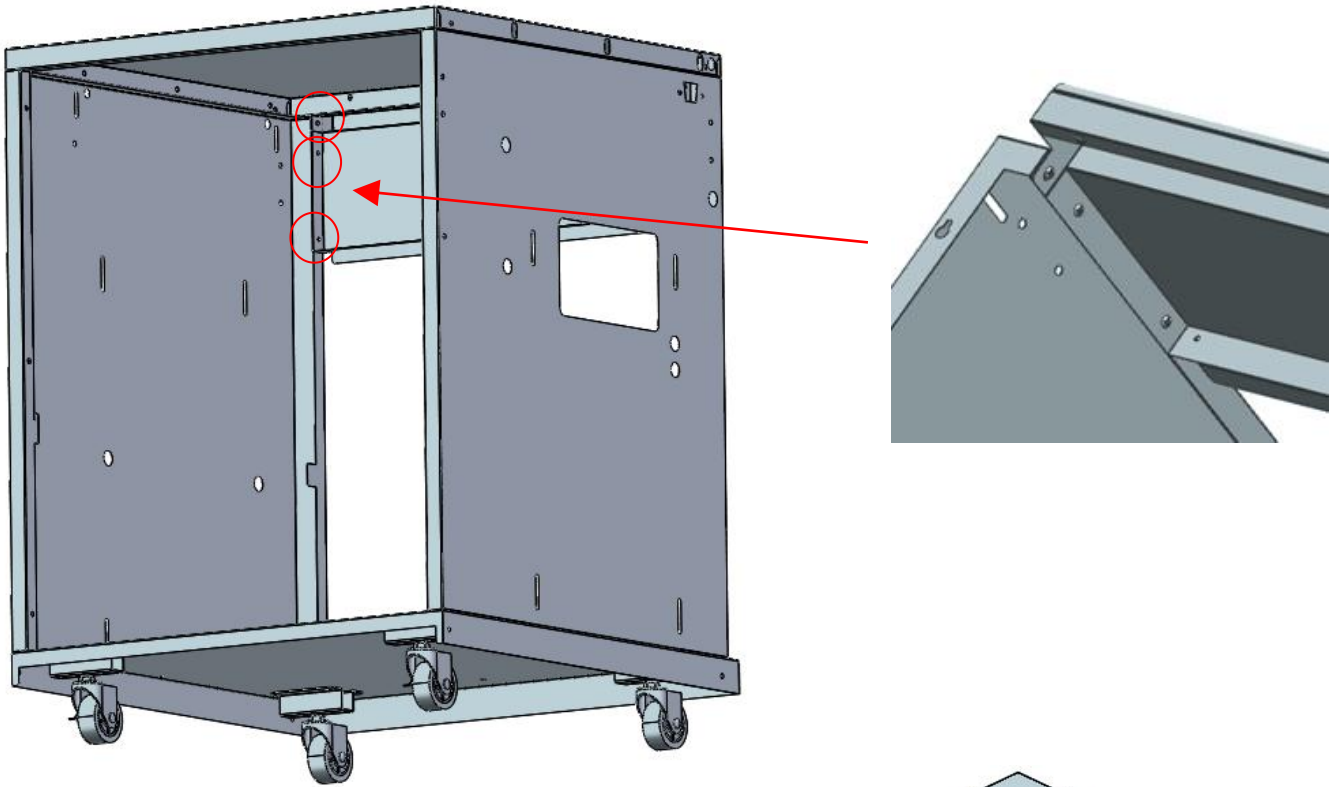
1.5m

Installation guide 7

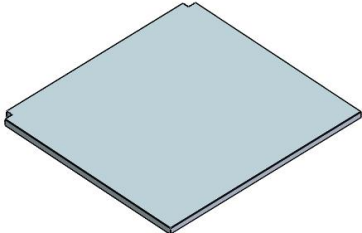


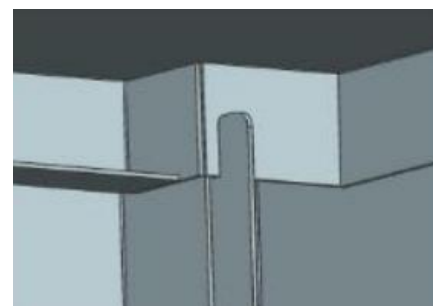
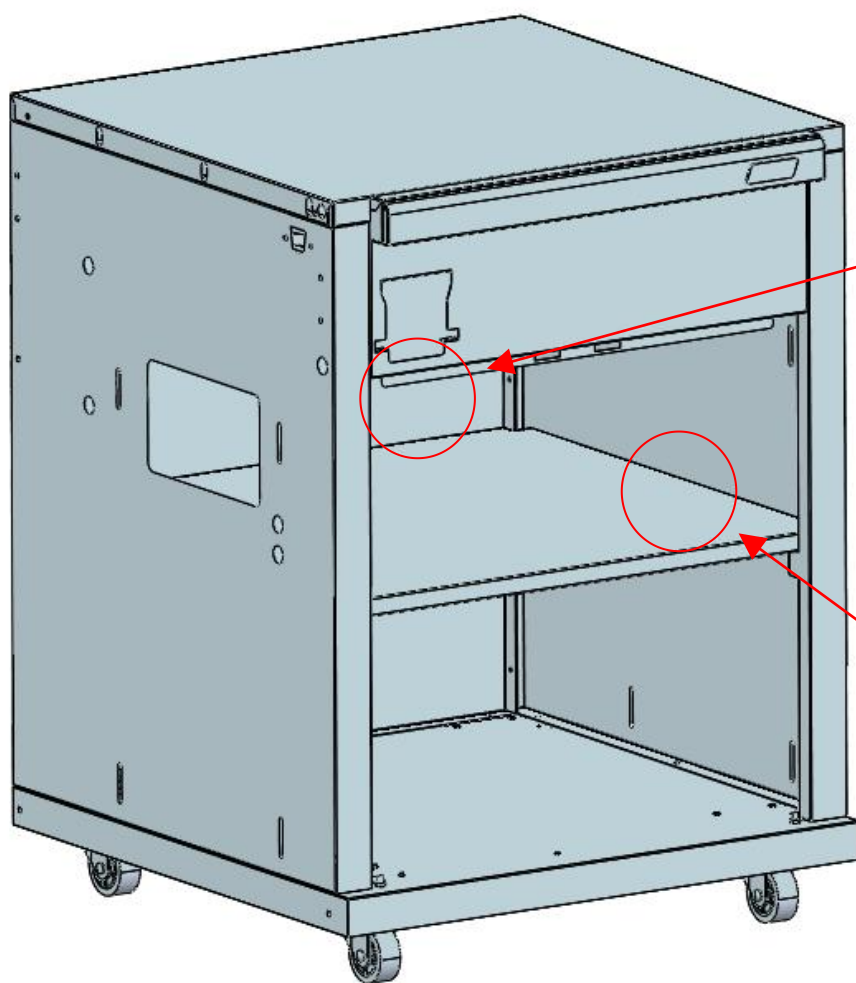
Installation guide 8

NO.	DESCRIPTION	IMAGE	QTY
C	M4*8		6



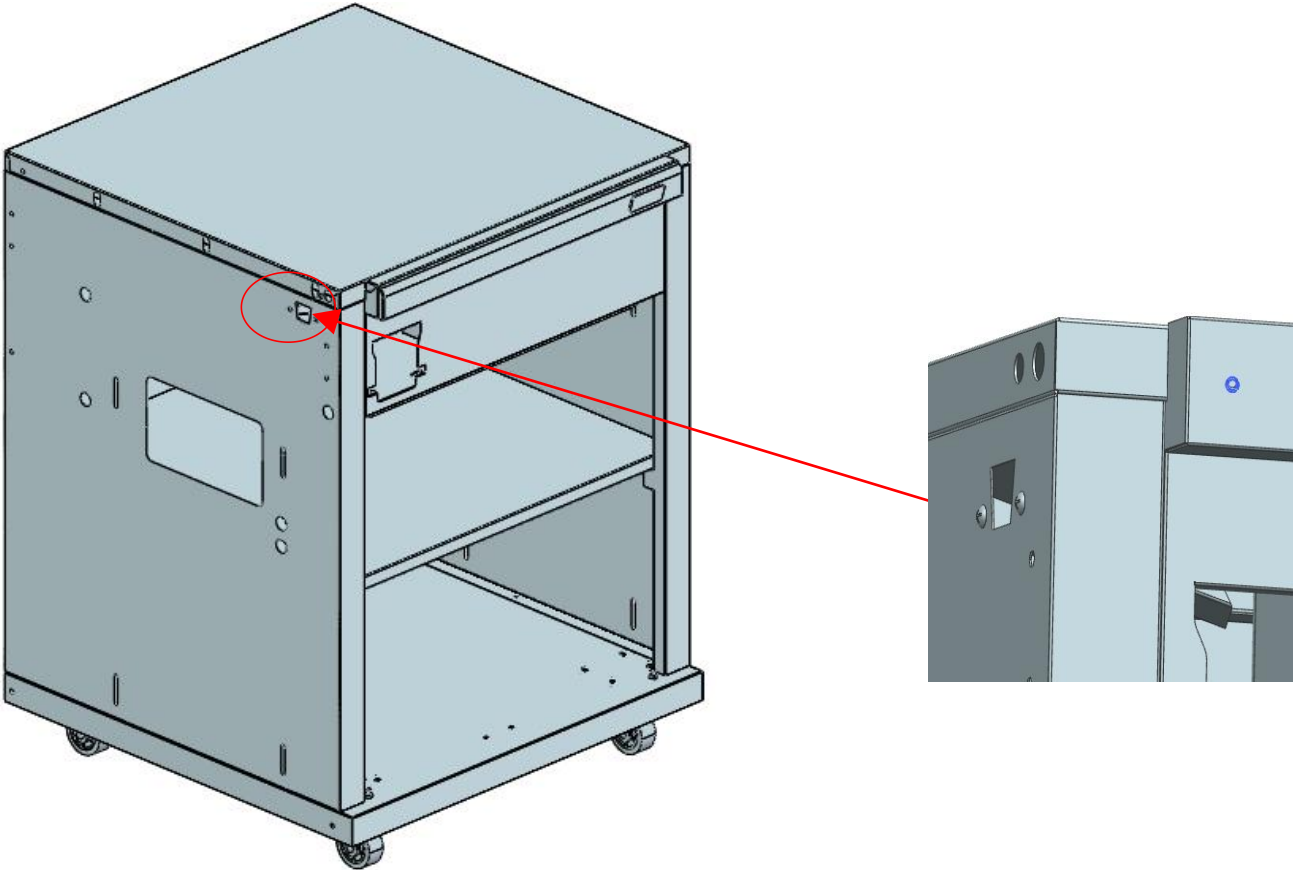
Installation guide 9

NO.	DESCRIPTION	IMAGE	QTY
3	Middle shelf		1

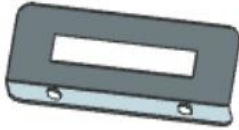



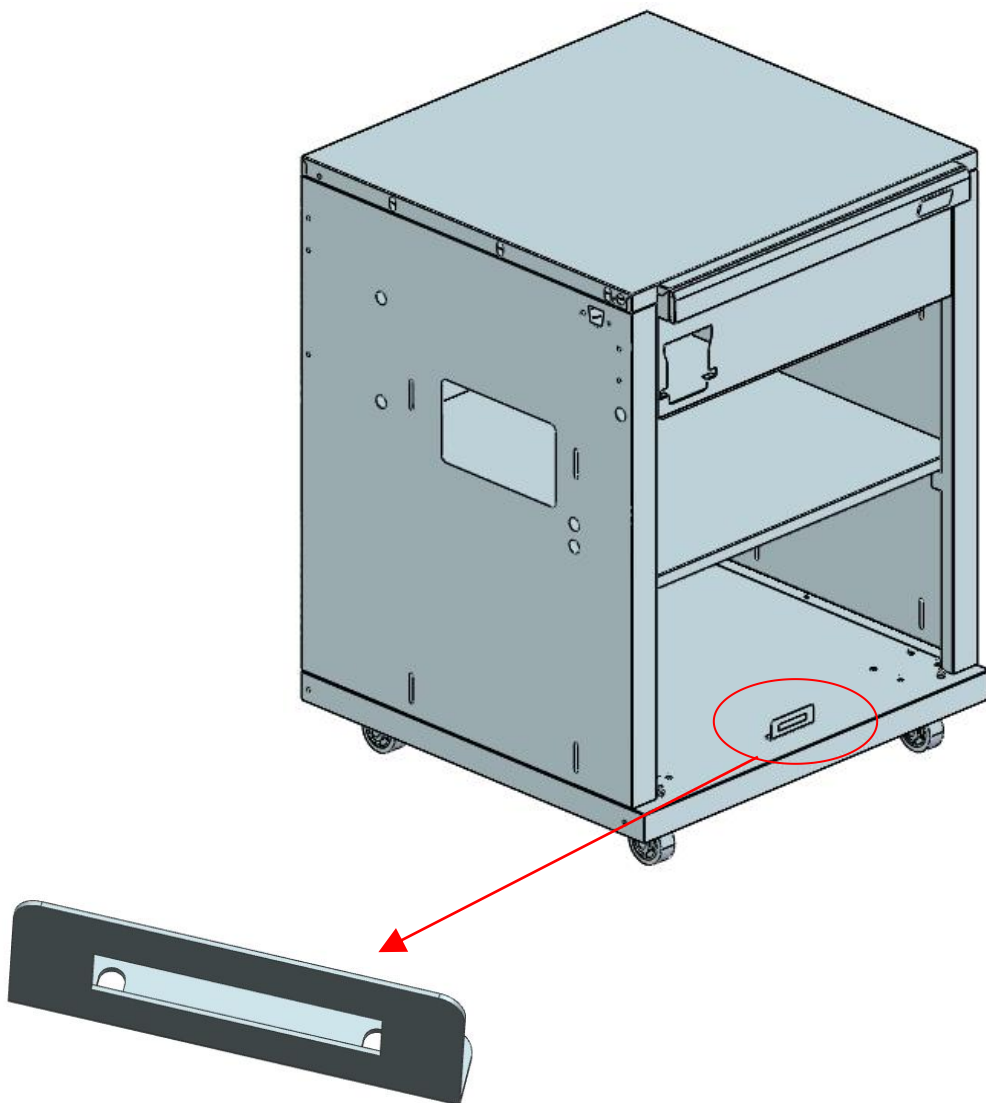
Before proceeding to the next Installation Guide, ensure you've correctly assembled the Flare Free cup from the Coleman Revolution BBQ package. Fit it snugly into the module front panel cutout.

Installation guide 10			
NO.	DESCRIPTION	IMAGE	QTY
6	Drainage tube		1
D	M4*8		2

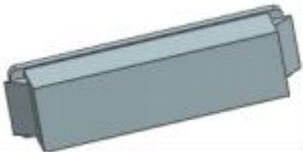
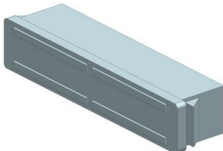


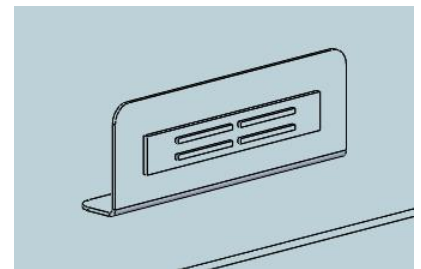
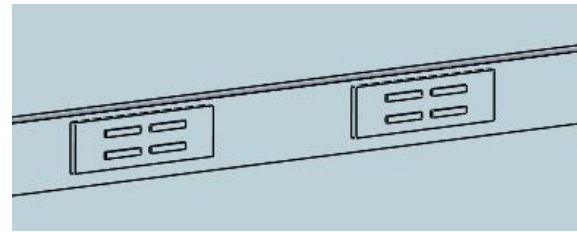
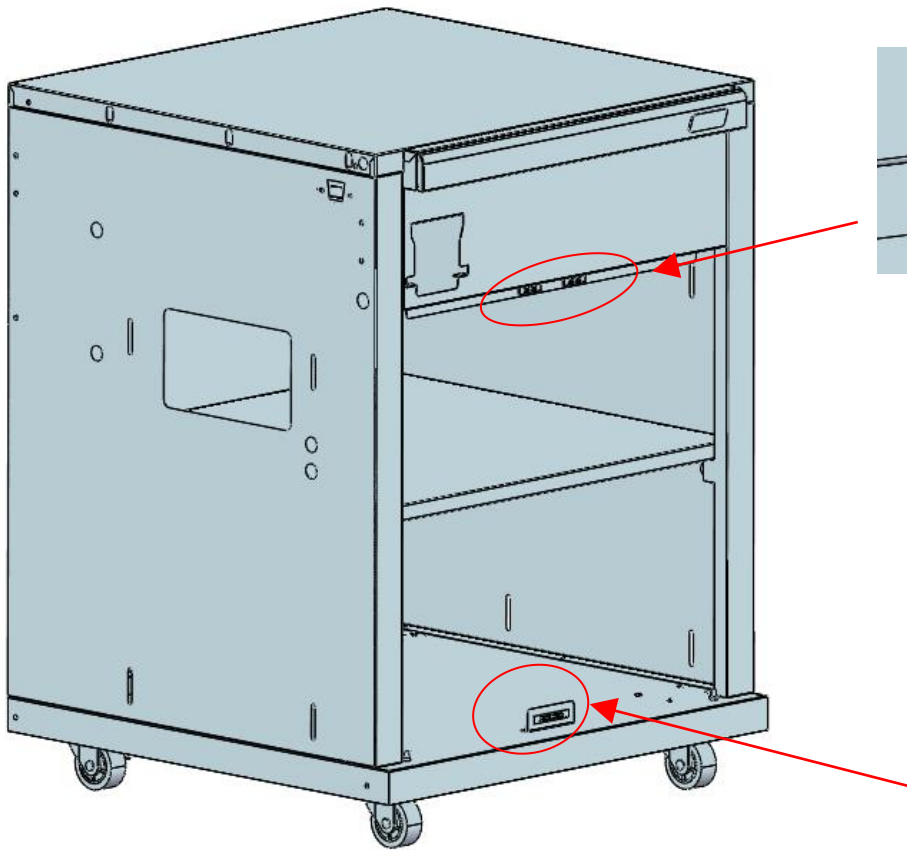
Installation guide 11

NO.	DESCRIPTION	IMAGE	QTY
12	Magnet frame		1
B	M4*12		2

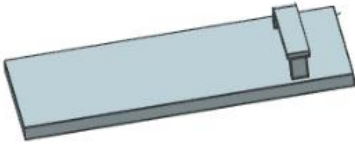


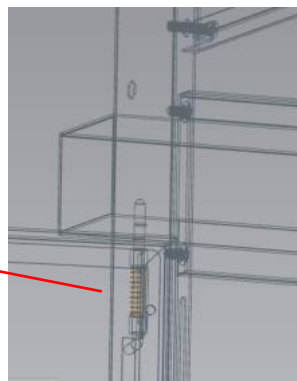
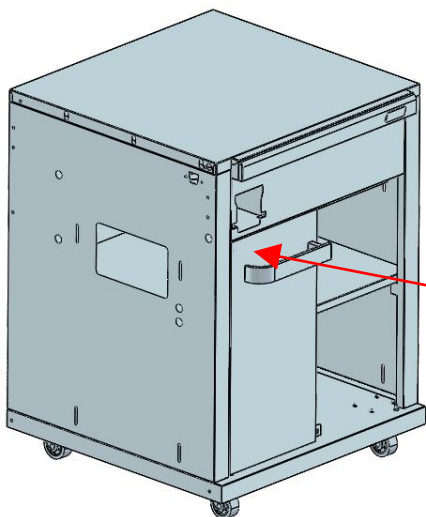
Installation guide 12

NO.	DESCRIPTION	IMAGE	QTY
4	Upper magnet		2
11	Bottom magnet		1



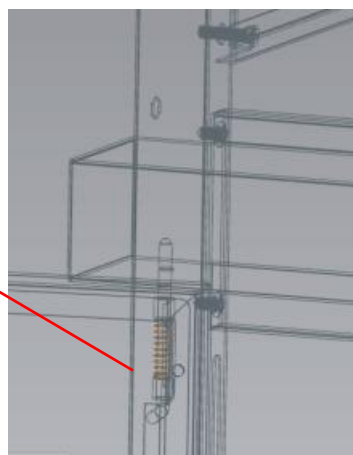
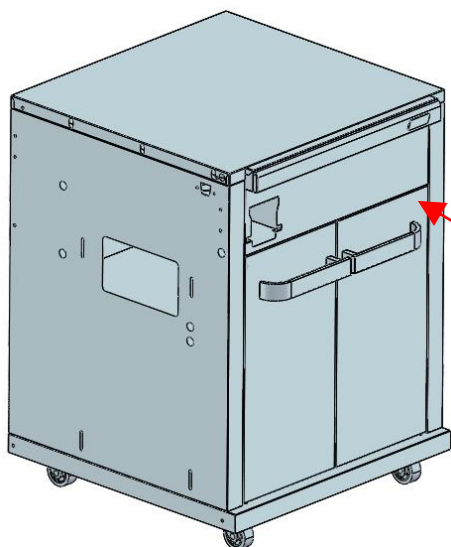
Installation guide 13

NO.	DESCRIPTION	IMAGE	QTY
9	Left door		1






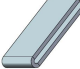
Installation guide 14

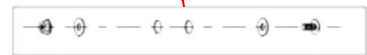
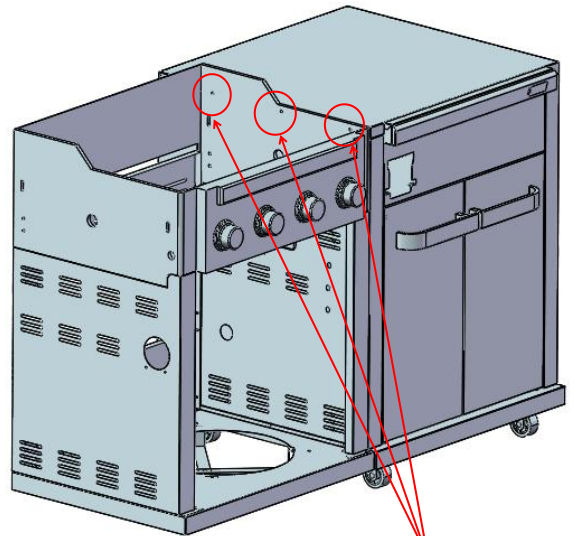
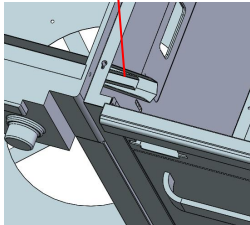
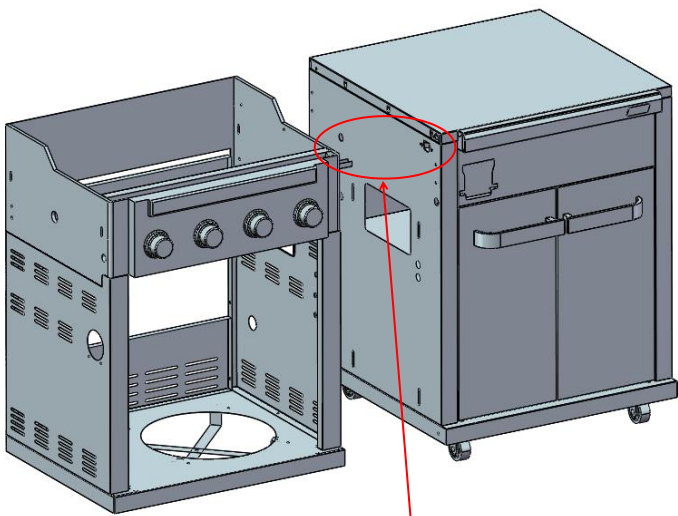
NO.	DESCRIPTION	IMAGE	QTY
10	Right door		1

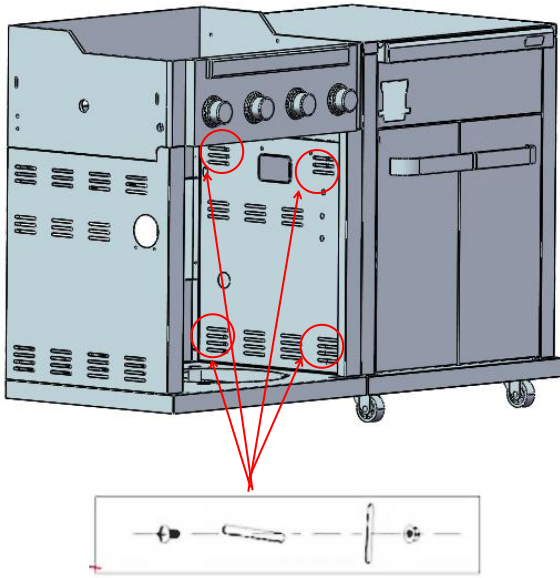


Installation guide 15

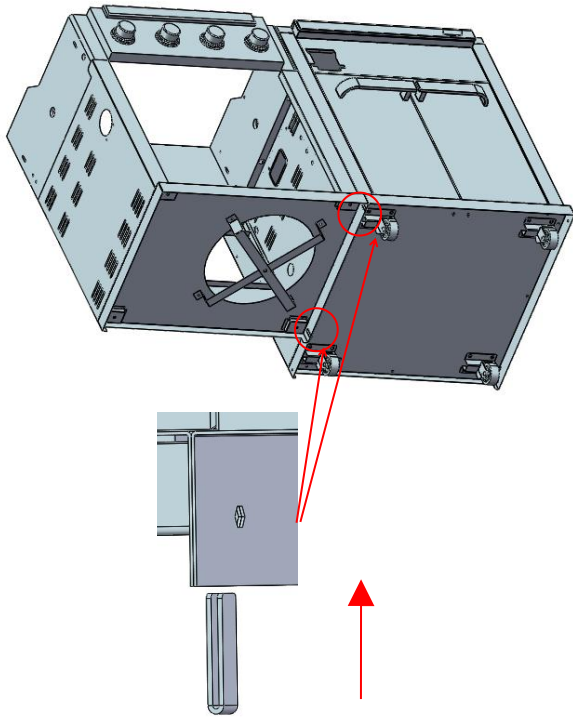
Connecting the Module to the BBQ

NO.	DESCRIPTION	IMAGE	QTY
1	M6*16		7
2	M6 Nut		7
3	φ6*16 Washer		6
17	Clip		2







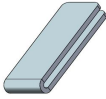


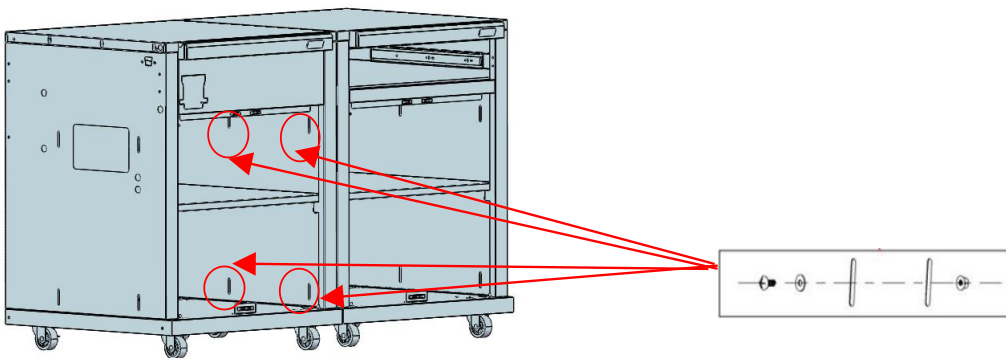
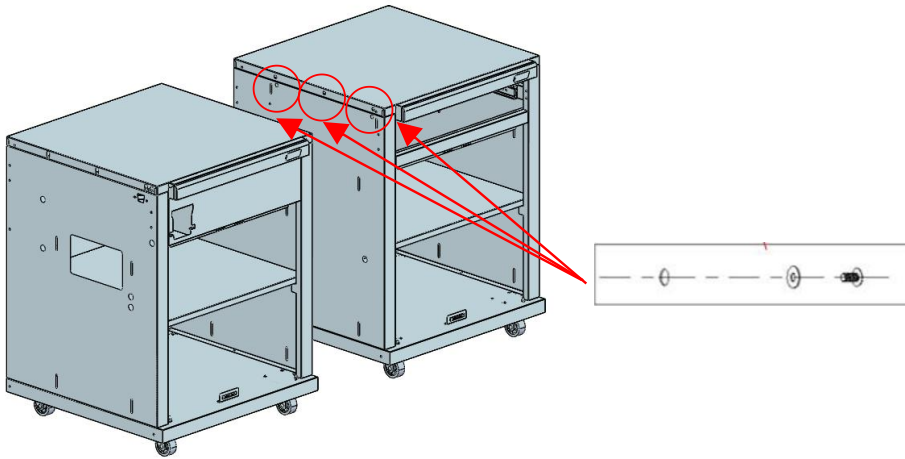
Insert the fastening clips from the bottom upwards, applying some force. This may require a bit of effort, but it ensures the units are securely connected as intended.



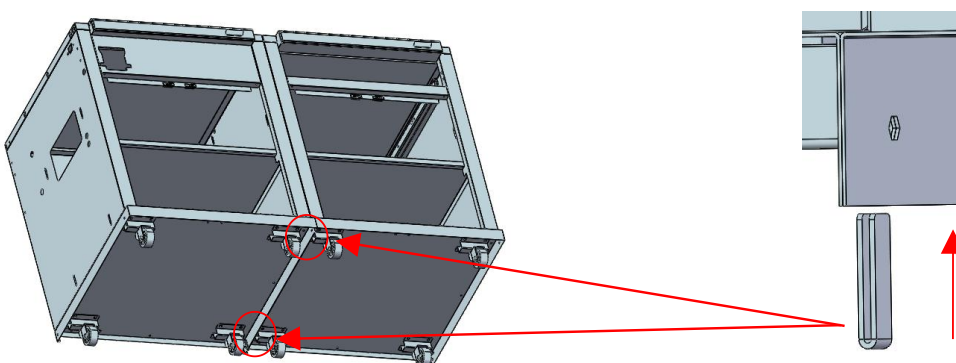
Installation guide 16

Connecting the Module to another Module




NO.	DESCRIPTION	IMAGE	QTY
1	M6*12		4
2	M4*12		3
3	M6 Nut		4
4	φ6*16 Washer		7
17	CLIP		2



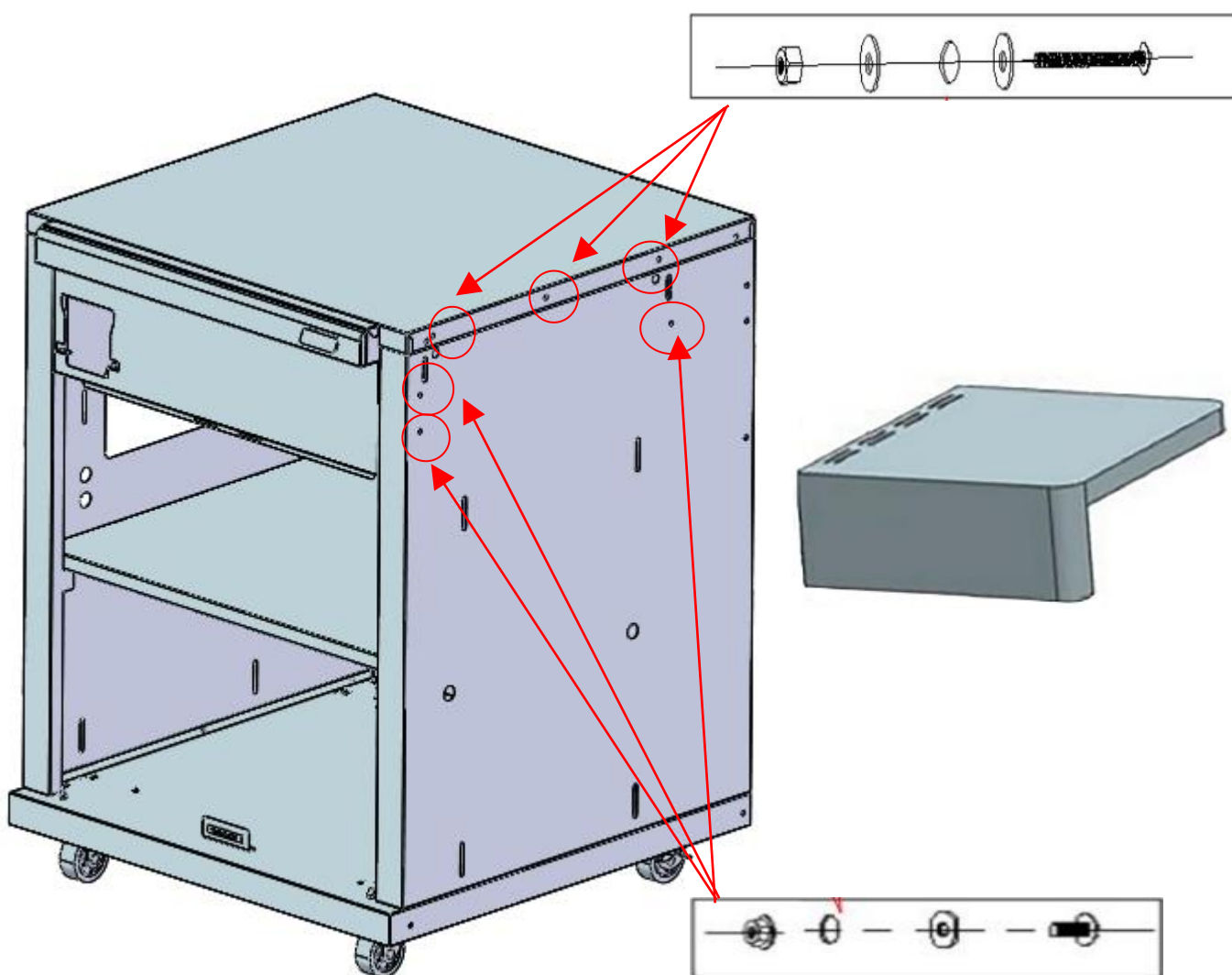
Insert the fastening clips from the bottom upwards, applying some force. This may require a bit of effort, but it ensures the units are securely connected as intended.




Installation guide 17

DESCRIPTION	IMAGE	QTY
M4*40		3
M4*12		3
φ6*16 Washer		6

To attach the right-side shelf provided with your Revolution BBQ, refer to the steps outlined below. If you've acquired a Coleman Revolution Sink Module, it's recommended to utilise part G532Y20002 or G532Y10003 (front panel of the side shelf) included with this Module or the Sink Module.





©2023 The Coleman Company, Inc.
Coleman®,  and  are registered trademarks of
The Coleman Company, Inc. used under license.