

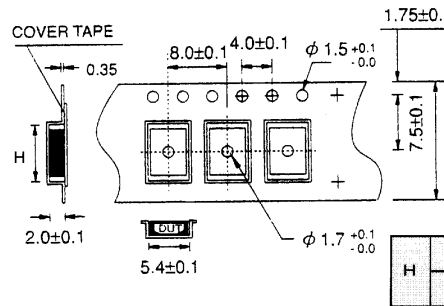
### ● SPECIFICATION

Type	XT842 & XT754
Frequency Range	8.0-125.0MHz
Frequency Tolerance	±10~±100 PPM
Frequency Stability	±10~±100 PPM
Operation Temperature	-20°C~+70°C
Storage Temperature	-40°C~+85°C
Load Capacitance	Series, 18pF, 20pF, 30pF or Special
Drive Level	15μW, 30μW, 100μW, or Special
Series Resistance	See below
Shunt Capacitance	7pF max
Aging	±1 PPM, ±2 PPM, ±3 PPM/year

### ● EQUIVALENT SERIES RESISTANCE

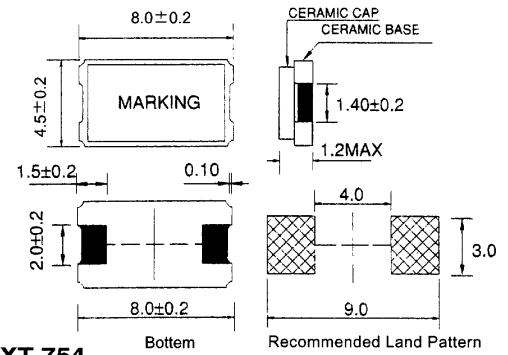
Frequency (MHz)	ESR(Ω)max
Fundamental	
8.00M~21.99M	80
22.00M~40.00M	40
3rd Overtone	
40.01M~125.00 M	60

### ● TAPE SPECIFICATION(mm)

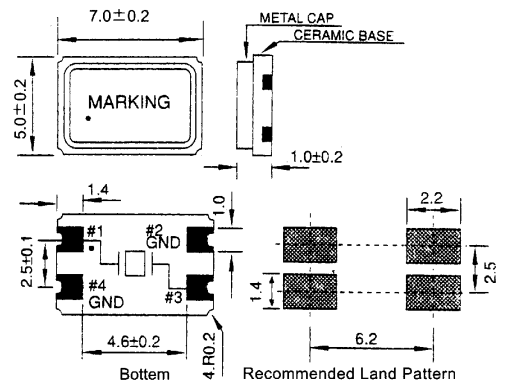


### ● DIMENSIONS(mm)

#### XT 842



#### XT 754

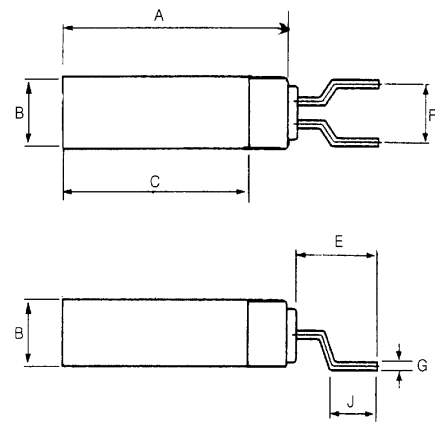


## SM-15J, SM-26J Series: Small SMD Metal Package Cylinder Crystal 30.0-200K

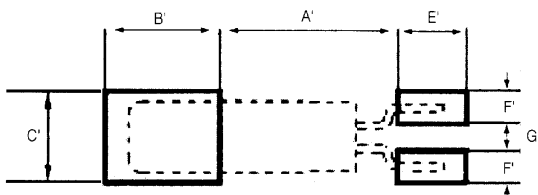
### ● SPECIFICATION

Frequency Range	32.0-200KHz
Frequency Tolerance	±20, ±30, ±100 PPM
Operation Temperature	-20°C~+70°C
Series Resistance	90K Ω max
Parabolic Coefficient	-0.038PPM/°C <sup>2</sup>
Motional Capacitance	2.25fF type
Shunt Capacitance	1.0pF type
Load Capacitance	12.5pF or Special
Drive Level	1.0μW max
Aging	±3 PPM

### ● DIMENSIONS(mm)



### ● EQUIVALENT SERIES RESISTANCE



Type	Code	A	B	C	E	F	G	A'	B'	C'	E'	F'	G'
SM-15J		5.0±0.2	1.5±0.2	4.2±0.2	1.9±0.2	1.27 <sup>+0.05</sup> <sub>-0.02</sub>	∅0.2	3.9	2.5	2.0	1.5	0.7	0.6
SM-26J		6.1±0.2	2.0±0.2	4.9±0.2	2.0±0.2	2.54 <sup>+0.05</sup> <sub>-0.02</sub>	∅0.2	4.5	3.0	3.0	1.5	1.0	1.6

★ Height of 1.48mm max is available