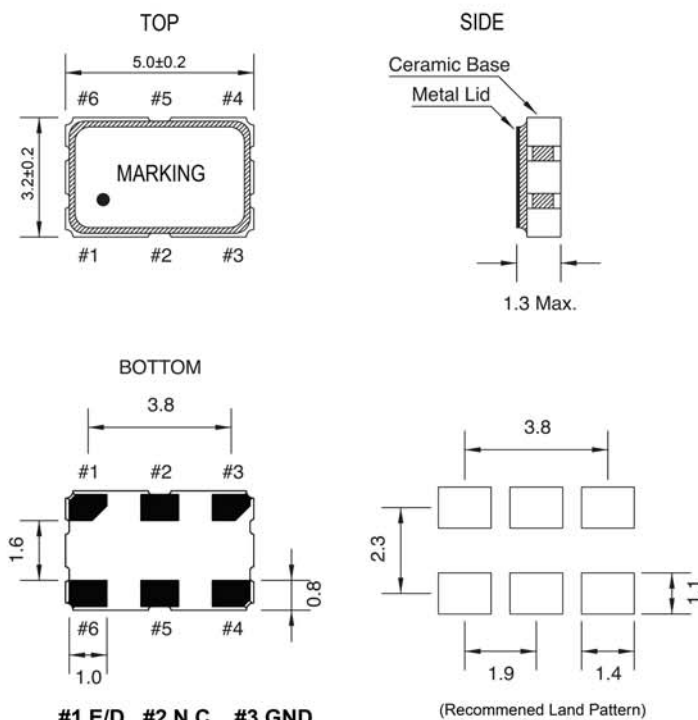


● SPECIFICATION

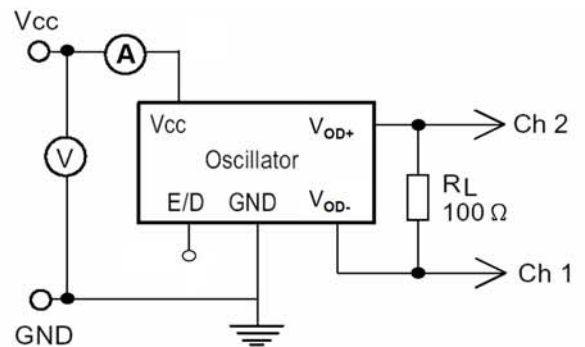
Model	OSC-S5 LVDS SERIES	
Power supply voltage	2.5±5%	3.3±5%
Output level	LVDS	
Frequency range	15.000~ 99.999 MHz	100.000~160.000MHz
Storage temperature range	- 55°C ~ +125°C	
Operating temperature range	-10°C ~ +70°C , -40°C ~ +85°C	
Frequency stability	±25ppm ~ ±100ppm	
Current consumption	50mA(Max.)	50mA(Max.)
Output Load	100Ω	
Output voltage level (V _{OH})	1.60V _{max.}	
Output voltage level (V _{OL})	0.90V _{min.}	
Differential Output voltage	247mV _(min.) 330mV _(Typ.) 454mV _(max.)	
Offset voltage	1.125V _(min.) 1.250V _(Typ.) 1.375V _(max.)	
Duty cycle	45%~55%	
Enable input voltage(V _{IH})	1.750V _{min.}	2.310V _{min.}
Disable input voltage(V _{IL})	0.750V _{max.}	0.990V _{max.}
RISE / FALL TIME(20%/80%)	40.000 ~ 100.000MHz: 1.0nS max.	
	100.000 ~ 160.000MHz : 0.5nS max.	
Phase Jitter RMS (12KHz~20MHz)	1ps(Max.)	
AGING	±3ppm/Year	

● DIMENSION (mm)



#1 E/D , #2 N.C. , #3 GND
#4 Q , #5 QN , #6 VDC

● TEST CIRCUIT



● OUTPUT WAVEFORM

