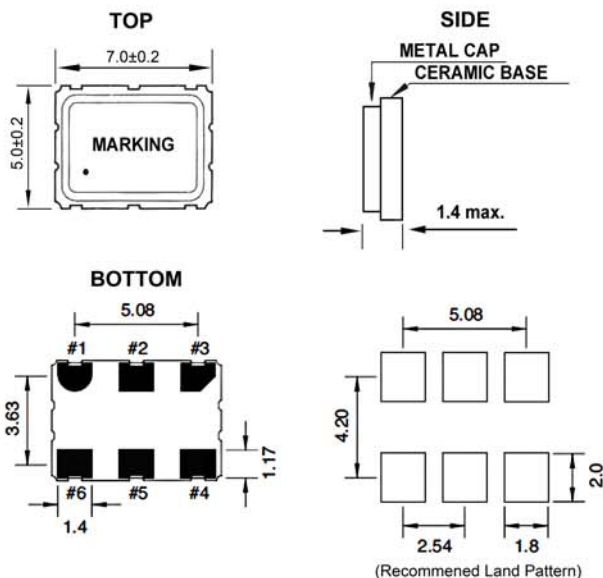


#### ● SPECIFICATION

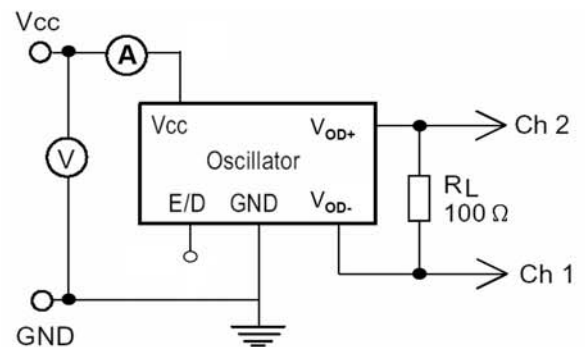
Model	OSC-S7 LVDS SERIES		
Power supply voltage	2.5V±5%	3.3V±5%	3.3V±5%
Output level	LVDS		
Frequency range	15.000~160.000MHz		160.000~622.080MHz
Storage temperature range	-55°C ~ +125°C		
Operating temperature range	-10°C ~ +70°C , -40°C ~ +85°C		
Frequency stability	±25ppm ~ ±100ppm		
Current consumption	50mA(Max.)		110mA(Max.)
Output Load	100Ω		
Output voltage level (V <sub>OH</sub> )	1.60V <sub>max.</sub>		
Output voltage level (V <sub>OL</sub> )	0.90V <sub>min.</sub>		
Differential Output voltage	247mV(min.) 330mV(Typ.) 454mV(max.)		
Offset voltage	1.125V(min.) 1.250V(Typ.) 1.375V(max.)		
Duty cycle	45%~55%		
Enable input voltage(V <sub>IH</sub> )	1.750V <sub>min.</sub>	2.310V <sub>min.</sub>	2.310V <sub>min.</sub>
Enable input voltage(V <sub>IL</sub> )	0.750V <sub>max.</sub>	0.990V <sub>max.</sub>	0.990V <sub>max.</sub>
RISE / FALL TIME(20%/80%)	40.000 ~ 100.000MHz: 1.0nS max.		
	100.000 ~ 160.000MHz : 0.5nS max.		
	160.000 ~ 622.080MHz : 0.7nS max.		
Phase Jitter RMS (12KHz~20MHz)	1ps(Max.)		5ps(Max.)
AGING	±3ppm/Year		

#### ● DIMENSION (mm)



#1 E/D , #2 N.C. , #3 GND  
#4 Q , #5 QN , #6 VDC

#### ● TEST CIRCUIT



#### ● OUTPUT WAVEFORM

