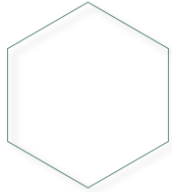


**First-ever  
rechargeable  
lithium  
battery jack  
for trucks.**



**Features and Benefits**



# No Compressor Needed No Air Hoses

Eliminate tripping hazards as there are no air hoses. **Minimize Workers Comp issues.**

Take the jack anywhere, **IN or OUTSIDE the shop.**

Water Resistant, works under rain.

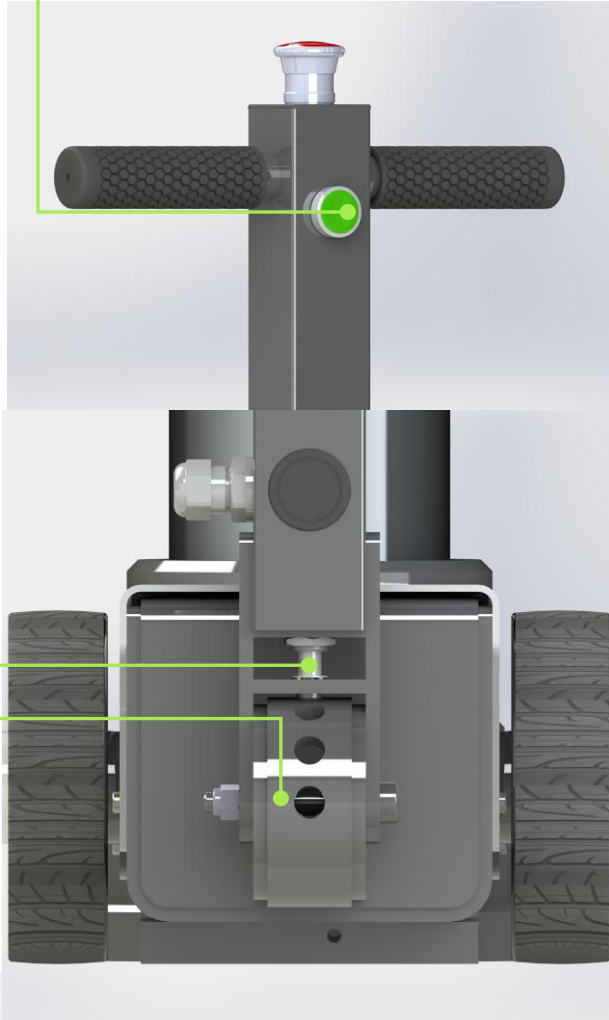
Lift multiple vehicles on jack stands without having to reconnect the jack while switching between bays.

**Reduce electric costs!** No Compressor needed.



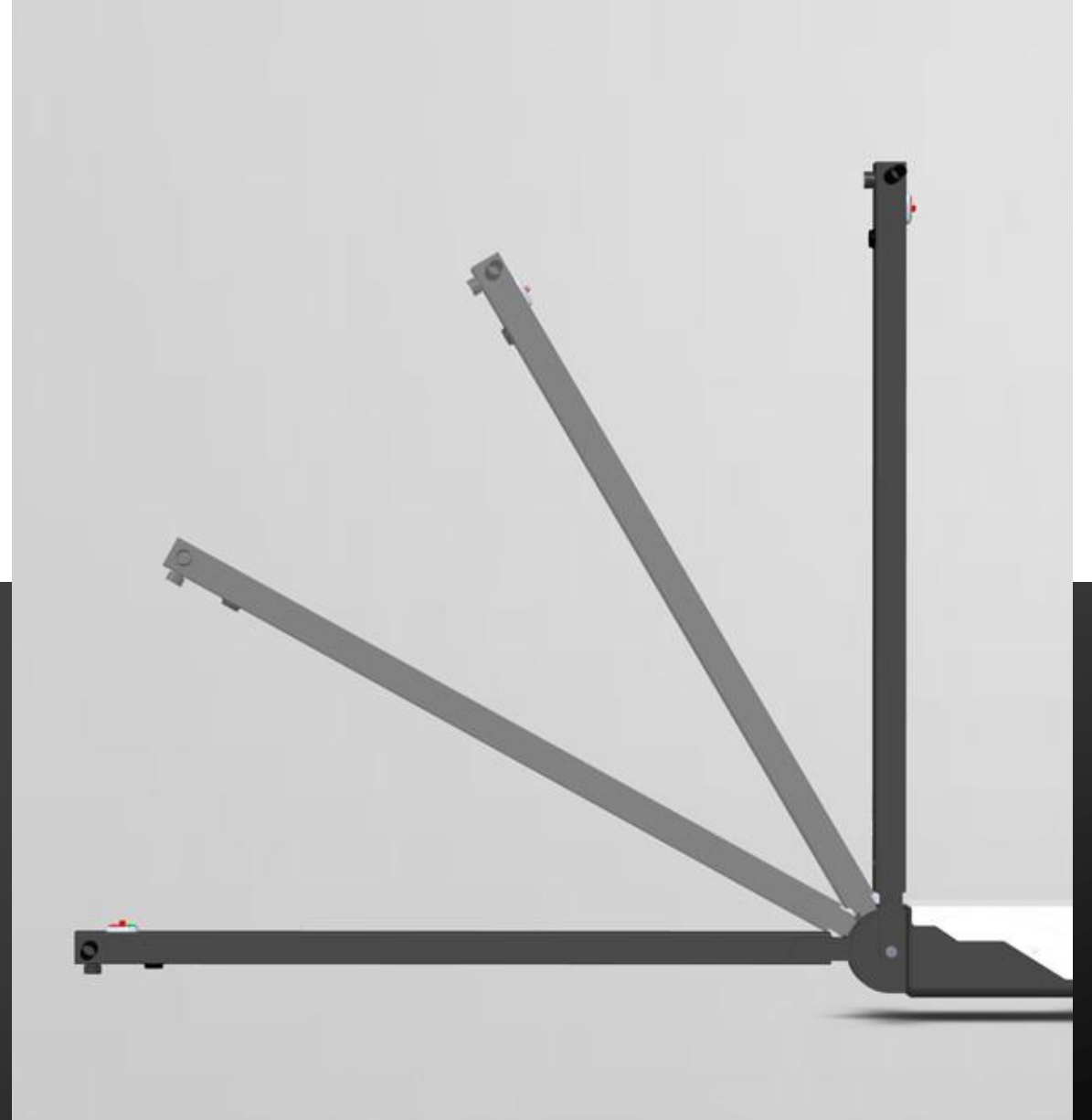


ADJUSTABLE HANDLE



**PUSH-BUTTON  
HANDLE RELEASE**  
Ergonomic.  
Simple.  
Safe.  
Up to 5 Locking Positions.

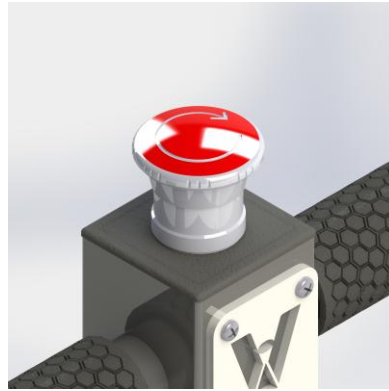
## Electric Handle Locking Position





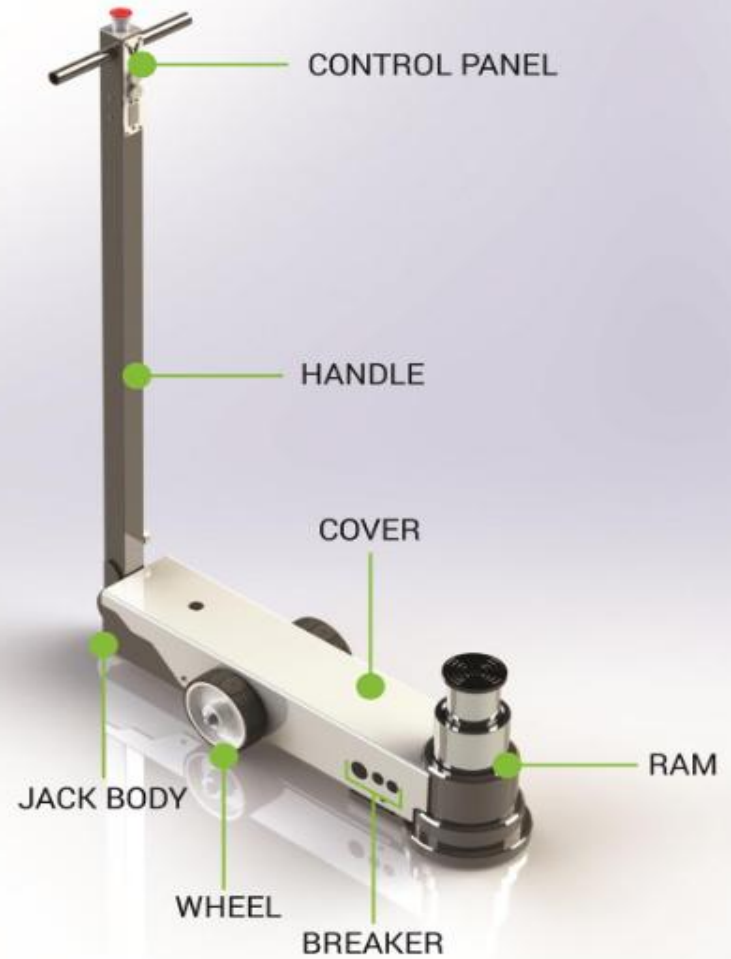
**Multifunctional Emergency Stop**

- Lock-Out
- Power OFF



- Cylinder UP Button
- Cylinder DOWN Button
- Battery Status

# Smart and Simple Design.

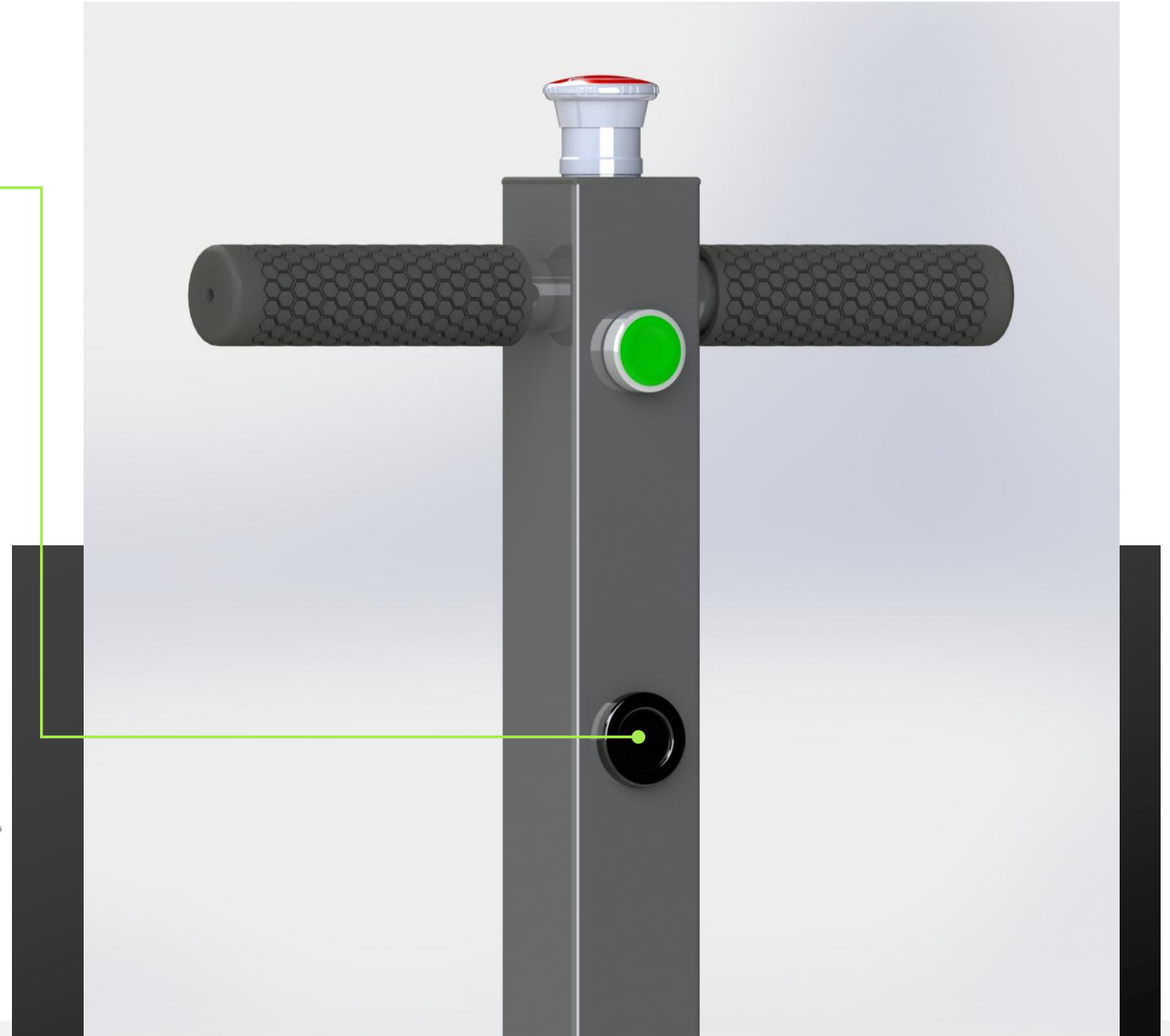


## MAGNETIC CHARGING PORT

- Prevents damage to the connector
- Easy to use
- Simple.
- Safe

Our Magnetic Connector Technology is compounded with integral magnets (blue) in the Power Plug, as well as in the Power Connector. When the two come into contact they become energized and allow for rapid charging.

Thus, the VOLTA ion charging System is 100% short-circuit-proof.



# Remote Control

## IMPROVING EFFICIENCY AND SAFETY IN THE SHOP

Safety is a big concern to us; it is part of our essence. We put great effort into making our products as safe as possible and to make sure they meet the highest possible safety standards, and we have the certificates to back that claim up.

Our products are not only safe, but they are also robust and can take a beating. We know that our remote controls get thrown around, dropped, run over, get wet – and that is all fine, we had all that in mind when designing the units. They are meant for long term usage.

### Why remote control?

The wireless remote control is a safe, convenient and centric system for controlling the jack. It allows freedom of movement for the technician and have a better view of the vehicle they are trying to lift. It maintains the operator at a safe distance while lifting the vehicle.

### Safety

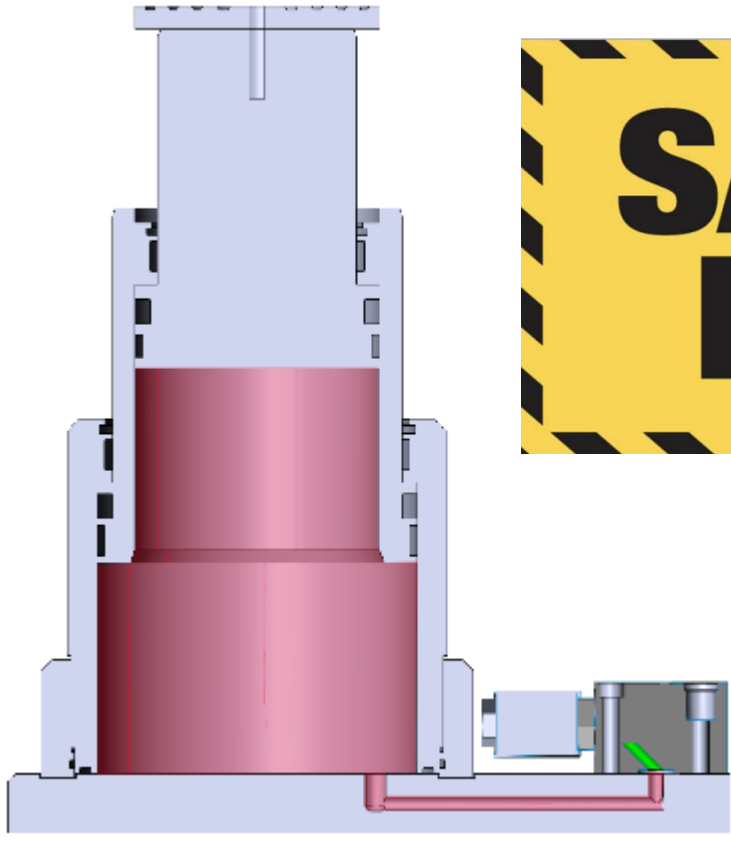
They are set to operate in continuous mode, have transmitters send repeated “stay alive pulses”, similar to a heartbeat or ping to the receiver, prompting dedicated safety relay(s) to drop if the receiver loses “sight” of the transmitter’s stay alive signal (out of range, dead battery, broken transmitter, etc.).



## SAFETY FIRST!

The electro-mechanical check valve prevents the hydraulic cylinder from retracting unless the operator presses the hydraulic cylinder.

The hydraulic liquid is mechanically trapped within the system. In addition to the pump and the magnetic motor assisting, there is no other jack in the world with this level of redundancy in safety than the VOLTA ion jack.



# Rechargeable Battery – LifePO4

## LifePO4 Batteries

Our Lithium batteries are **100% safe & reliable**. Our signature chemistry, Lithium Iron Phosphate (LiFePO4), **does not contain rare earth elements** (like Cobalt) or heavy metals, is non-toxic, including no lead or acid, is non-corrosive, does not off gas, requires no watering or maintenance, can be placed in any orientation, and unlike other lithium batteries **will not explode or catch fire**.

In addition, each Lithium battery is protected from overheating, over charging, and short circuiting, by a battery management system (BMS) microchip that also extends the lifespan and is contained within the jack (although enough water can conduct electricity between the terminals, so don't submerge the battery). For best performance & reliability we recommend using a VOLTA Charger 24.

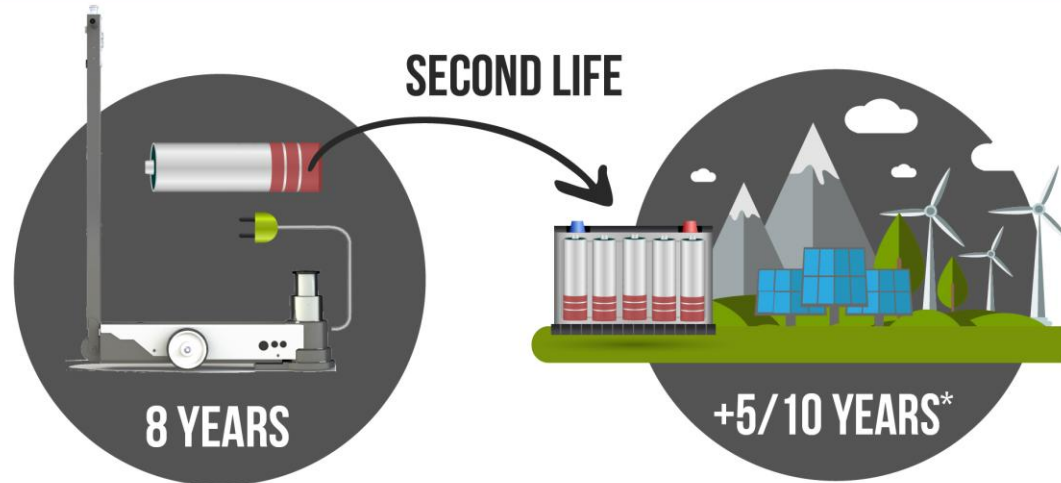
## Recycling - Second Life

At VOLTA ion, we are all about increasing your productivity while improving the eco system and minimizing the carbon footprint.

Life expectancy of our battery packs are about 8 years. When the time comes to recycle these battery packs. The start a second life as a storage system for clean electricity.

**That's 18 years of clean energy!**

A **SECOND LIFE** for VOLTAion jack **BATTERIES** can go up to **18 years** of clean renewable energy.

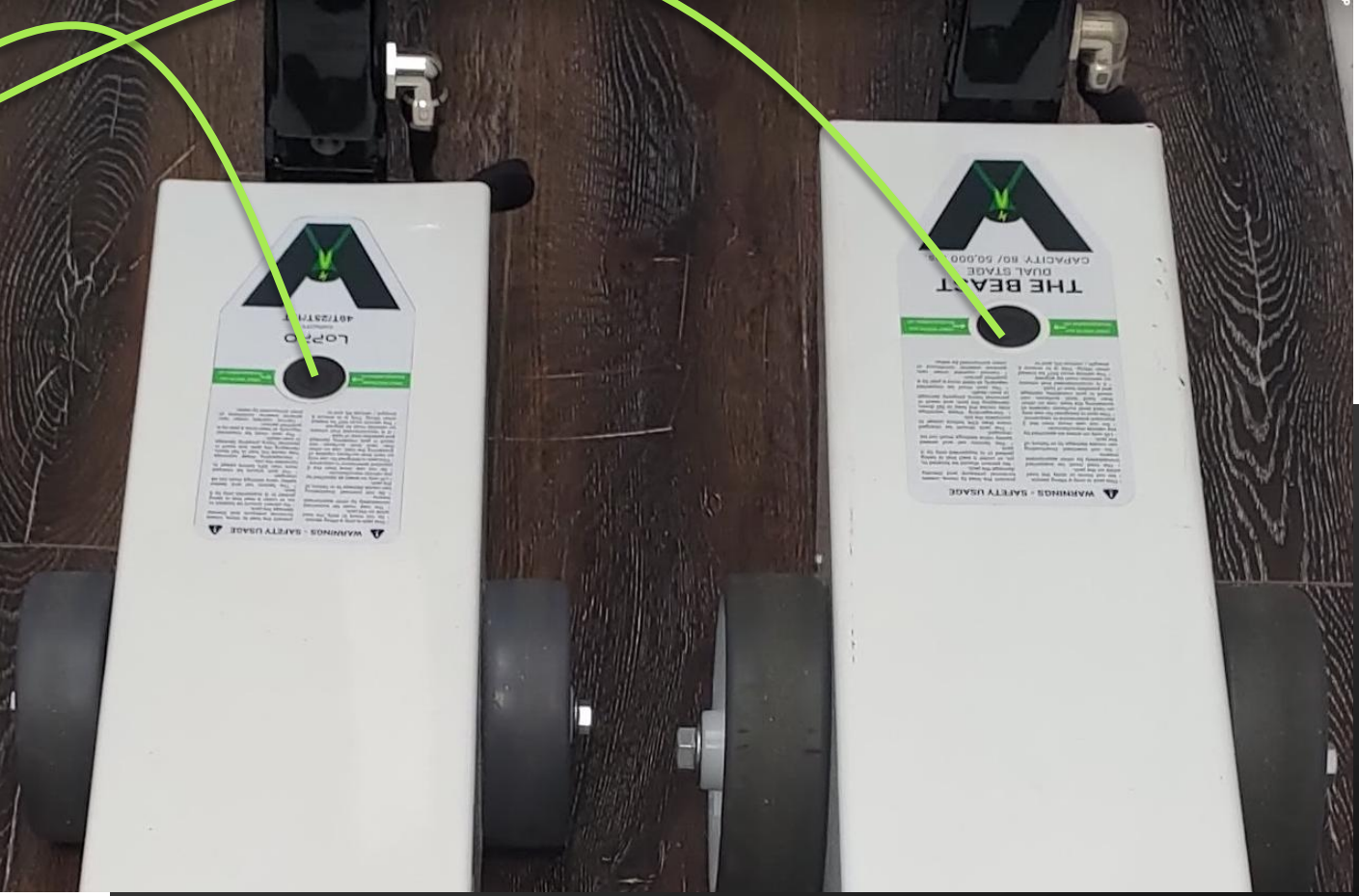


\*Depending on the second life application





## Biodegradable Oil



We keep our products as environmentally friendly as possible without sacrificing performance. It's all about performance!

Vegetable oils are biodegradable, generally less toxic, renewable and reduce dependency on imported petroleum oils.



## QUIET FLOOR PROTECTION

Everything in our jacks is made from the highest quality materials, including the wheels, featuring:

1. Heavy Nylon Center: impact-resistant, manufactured to achieve optimum mechanical properties for weights of more than 1,000 lbs!
2. High-quality thermoplastic polyurethane tread: high operational comfort, low-noise operation, low rolling, and swiveling resistance, good floor preservation, very high abrasion resistance.
3. The polyurethane tread is precisely injected and chemically bonded for an inseparable connection to the wheel center!
4. **Less Noise Pollution in the shop.**



# Making Additional Profits While Saving the Planet

VOLTA ion's key advantage compared with any other jack in the industry is the outstanding difference in operating time.

- No need to connect a pneumatic hose.
- Raise speed is without competition.
- Furthermore, we had Ergonomics in mind, integrating the control and with the remote control, minimizing the fatigue of the technician.
- You will gain a significant level of productivity that will increase your profits and revenues.
- Minimize Workers Comp injuries

## TIME SAVINGS:

Time Savings Per Lift  
2 to 5 Minutes

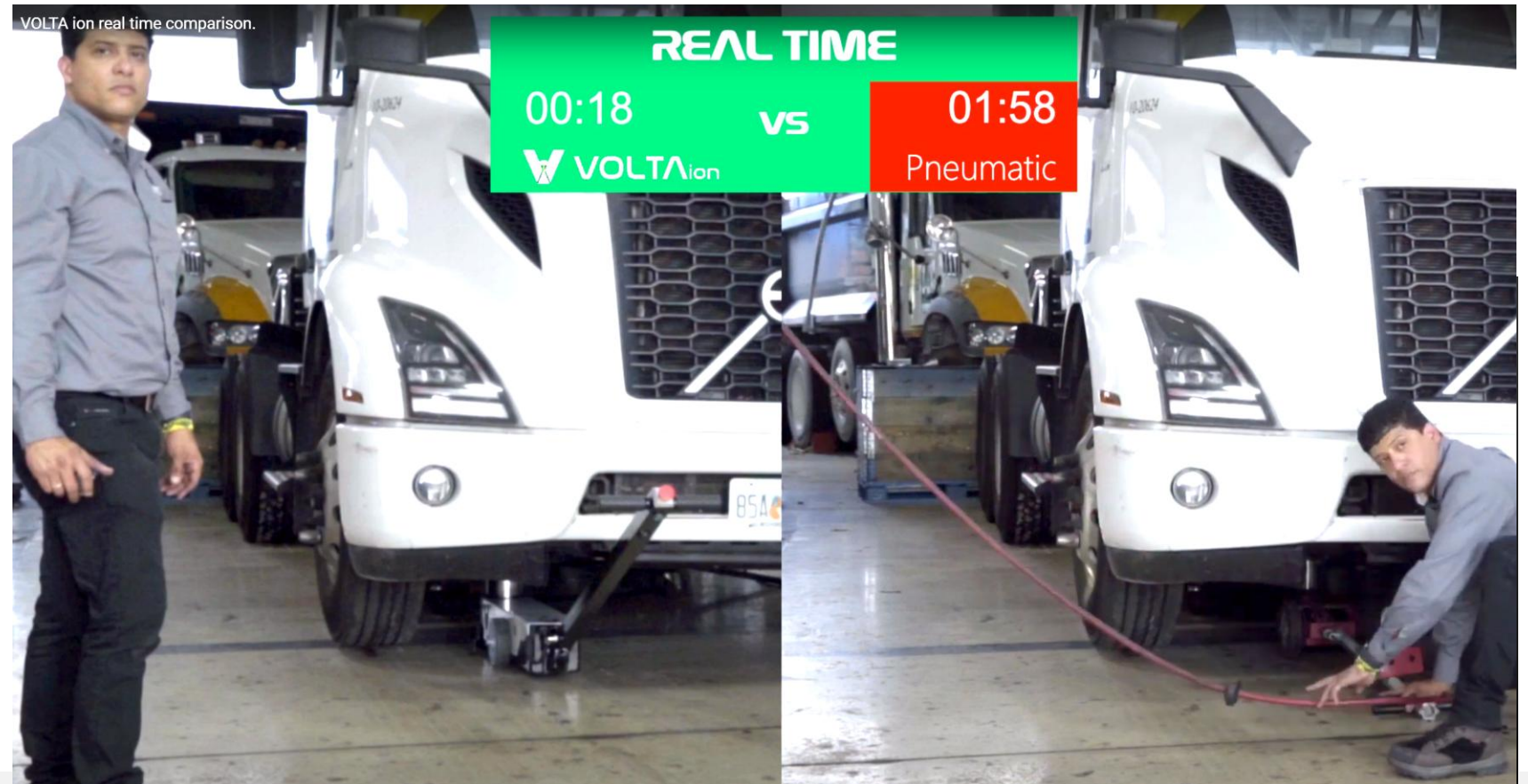
Lifts Per Day  
30

Time Saved Per Day  
1 hour

Shop Hourly Rate  
\$160

Monthly Increased Revenue per month  
\$3200

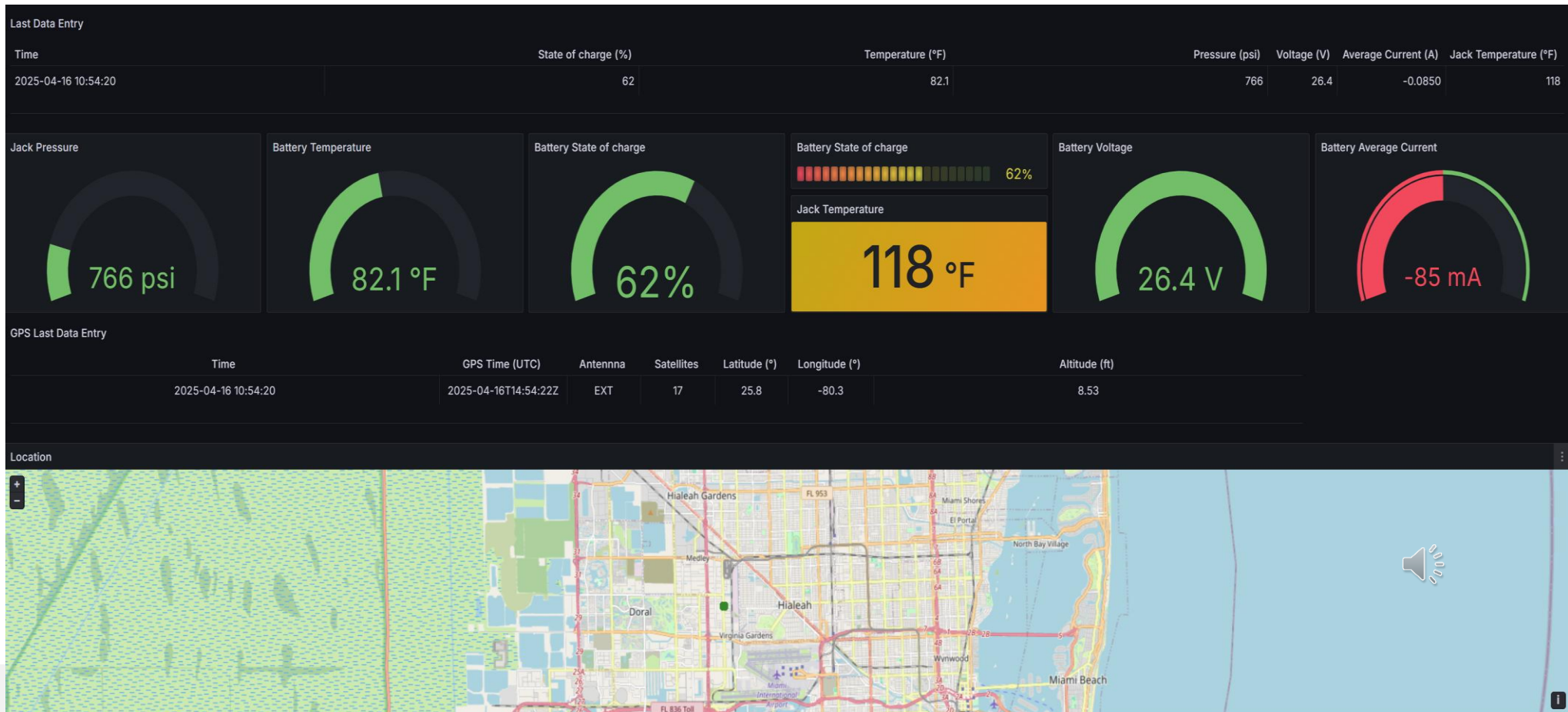
Additional ANNUAL Revenue in Savings while  
PROTECTING EARTH  
\$38,400



Pressure  
State of Charge  
Battery and Jack Temperature  
GPS Location Live

# Cloud Dashboard

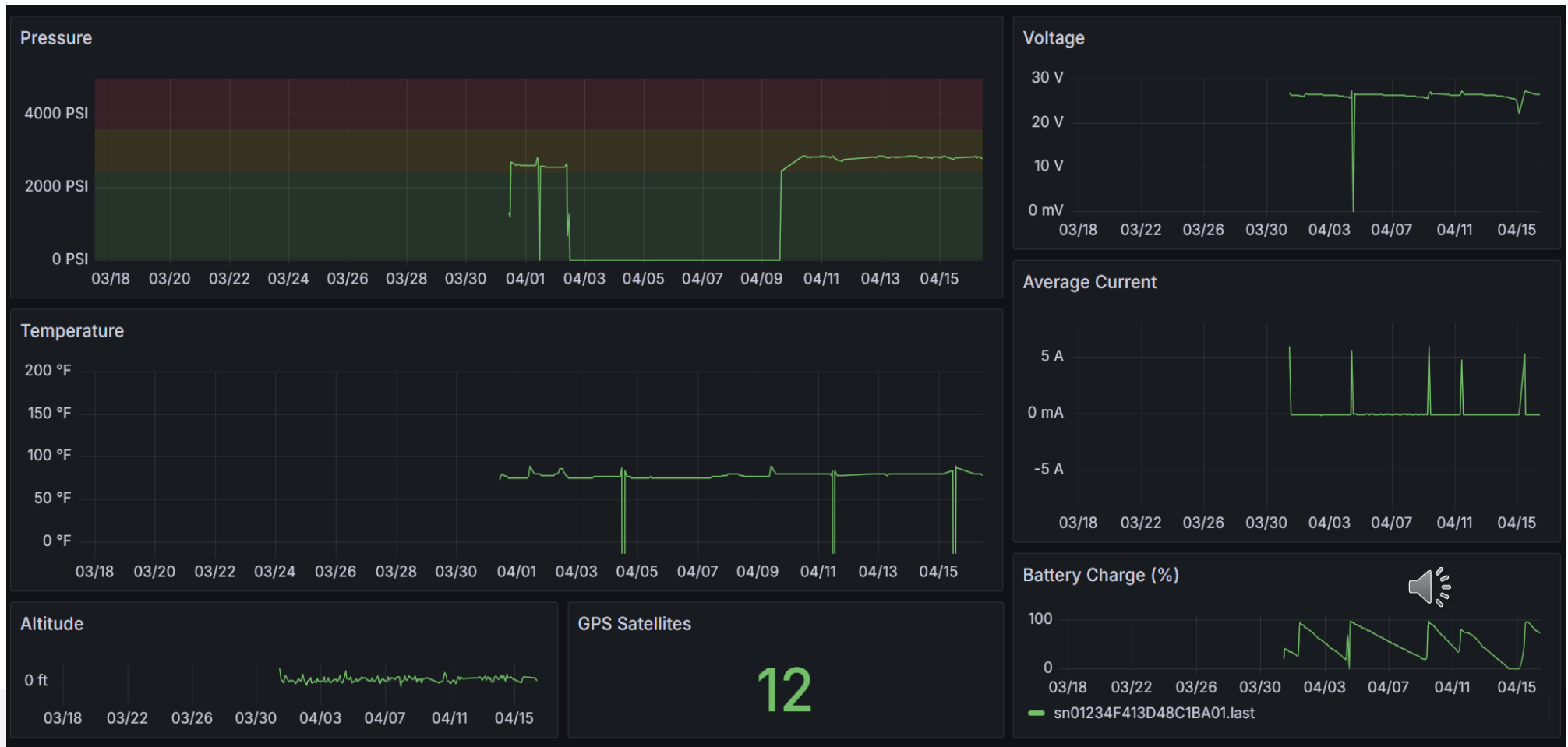
volta ION  
live



Pressure  
Voltage  
Temperature  
Average Current  
Location History  
GPS Satelites

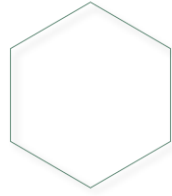
# Cloud Dashboard

volta ION  
timeline



- VOLTA ion jacks are proudly manufactured in the USA
- Components are carefully selected from American suppliers
- American steel & labor





## Benefits

No Air Lines  
No Tripping Hazards  
No Replacing Airlines/Hoses  
No Need for a Compressor  
Mobile, freedom to use it in and out of the shop  
Better Cold Weather Performance  
Safety Check Valve that prevents the cylinder from lowering.  
Made in the USA  
98.5% Recyclable  
Renewable Energy  
Biodegradable Oil  
Better Ergonomics  
Increased Performance  
Less noise contamination  
Fast ROI

**BETTER AND CLEANER FOR THE ENVIRONMENT**



# Video Library

[VOLTA ion Intro Video](#) (click link)

[Real Time Comparison Pneumatic vs Electric](#) (click link)

[Gravity Down](#) (click link)



